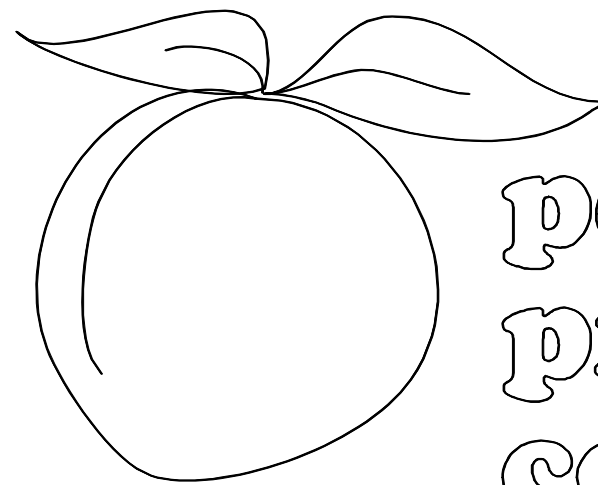


JOB # 3362

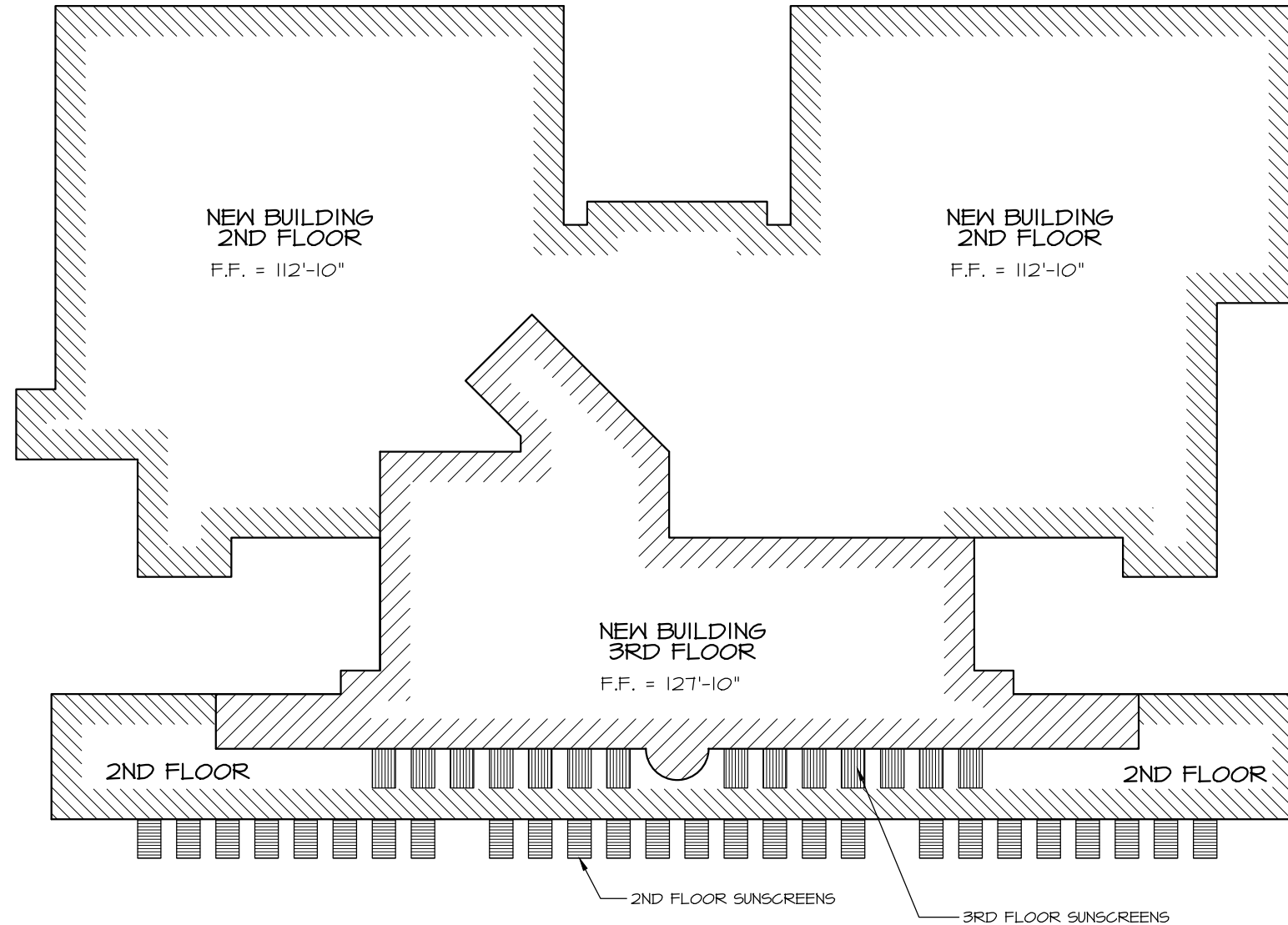
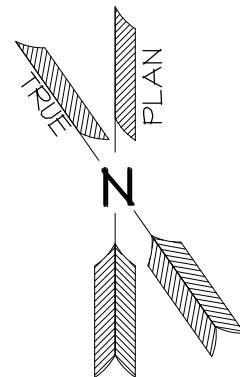


peachtree
protective
covers

ALEXANDRIA
INTERNATIONAL AIRPORT

ALEXANDRIA, LA
BY
URS CONSULTANTS
AUGUST 10, 2005

1477 ROSEDALE DRIVE
HIRAM, GA 30141
(770) 439-2120
fax (770) 439-2122

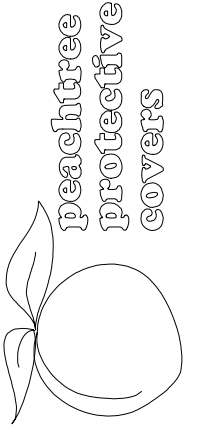


KEY PLAN

N.T.S.

FINISH SCHEDULE

DESCRIPTION	FINISH	COLOR
6"x4" TUBE	KYNAR, 3 COAT	LIGHT GREY VKB
8"x4" TUBE	KYNAR, 3 COAT	LIGHT GREY VKB
1/4"x6" BAR BLADE	KYNAR, 3 COAT	LIGHT GREY VKB
2" DIA. TUBE	KYNAR, 3 COAT	LIGHT GREY VKB
6" DIA. TUBE	KYNAR, 3 COAT	LIGHT GREY VKB



1477 ROSEDALE DRIVE HIRAM, GA 30141
PHONE (770) 439-2120 FAX (770) 439-2122

JOB NAME: ALEXANDRIA INTERNATIONAL AIRPORT

LOCATION: ALEXANDRIA, LA

ARCHITECT: URS CONSULTANTS

CONTRACTOR: RATCLIFF CONSTRUCTION

REVISIONS

8/10/05 AM

DRAWN: LISA

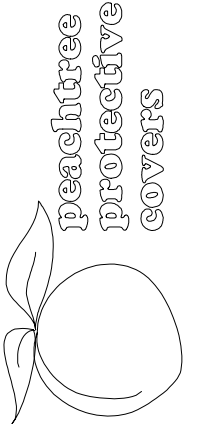
SCALE: AS SHOWN

DATE: 8/13/04

JOB #

3362

SHT 1 OF 9



1477 ROSEDALE DRIVE
HIRAM, GA 30141
PHONE (770) 434-2120
FAX (770) 434-2122

JOB NAME: ALEXANDRIA INTERNATIONAL AIRPORT
LOCATION: ALEXANDRIA, LA
ARCHITECT: URS CONSULTANTS
CONTRACTOR: RATCLIFF CONSTRUCTION

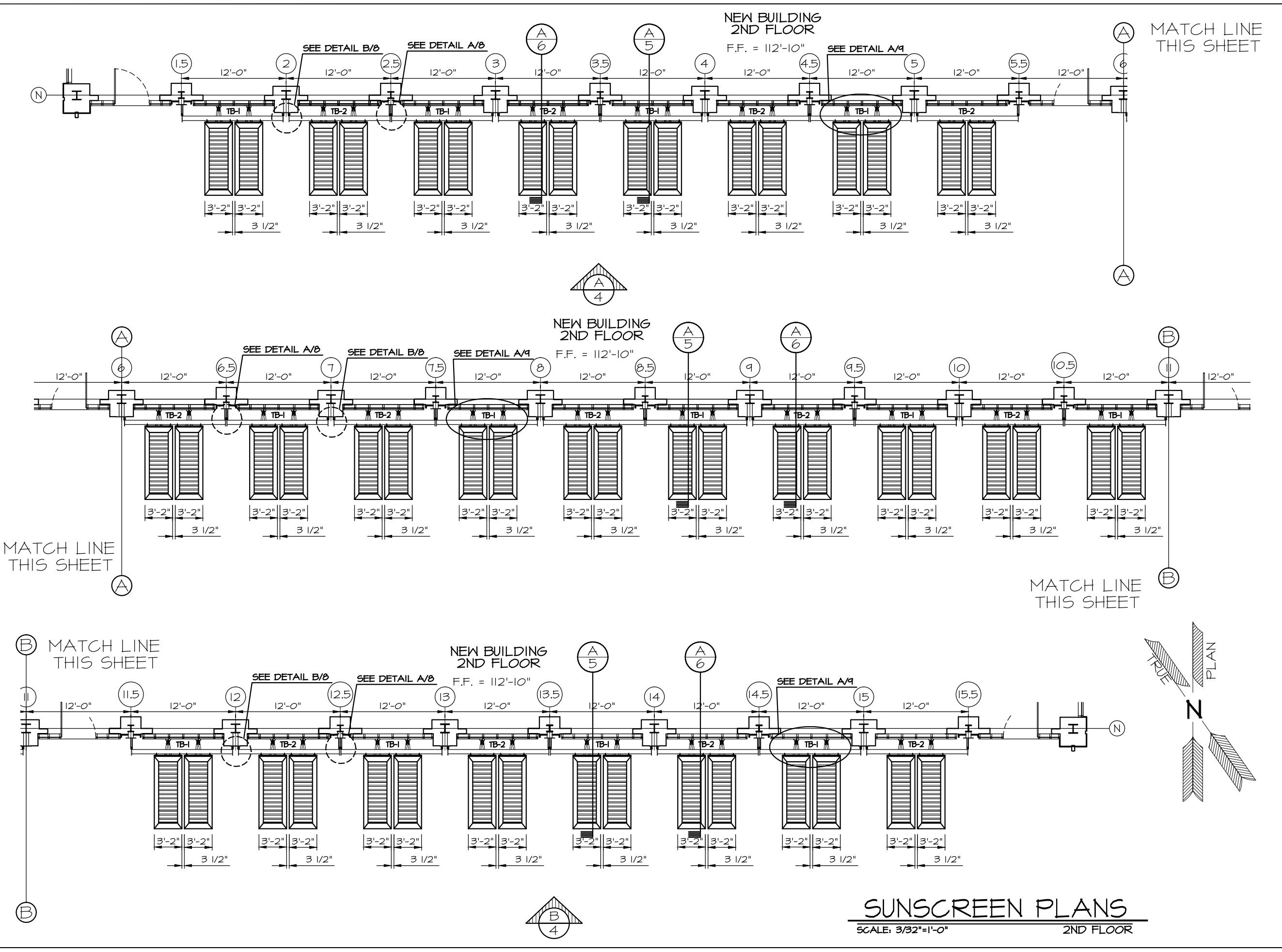
REVISIONS	

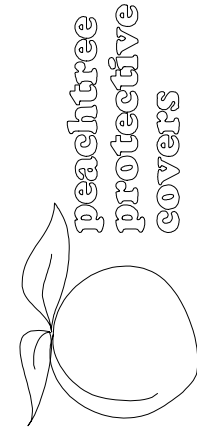
DRAWN: LISA

SCALE: AS SHOWN

DATE: 8/13/04

JOB #
3362
SHT 2 OF 9





1477 ROSEDALE DRIVE HIRAM, GA 30141
 PHONE (770) 439-2120 FAX (770) 439-2122

JOB NAME: ALEXANDRIA INTERNATIONAL AIRPORT
 LOCATION: ALEXANDRIA, LA
 ARCHITECT: URS CONSULTANTS
 CONTRACTOR: RATCLIFF CONSTRUCTION

REVISIONS	

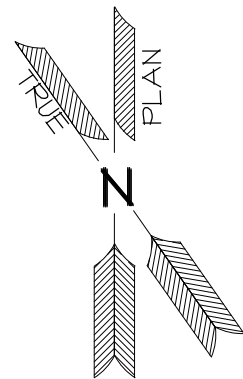
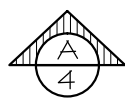
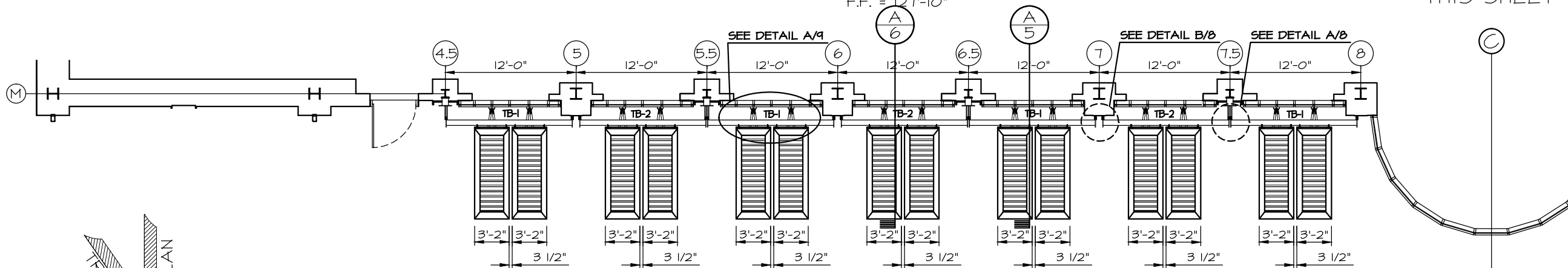
DRAWN: LISA
 SCALE: AS SHOWN
 DATE: 8/13/04

JOB #
3362
 SHT 3 OF 9

MATCH LINE THIS SHEET

NEW BUILDING 3RD FLOOR

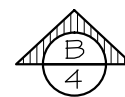
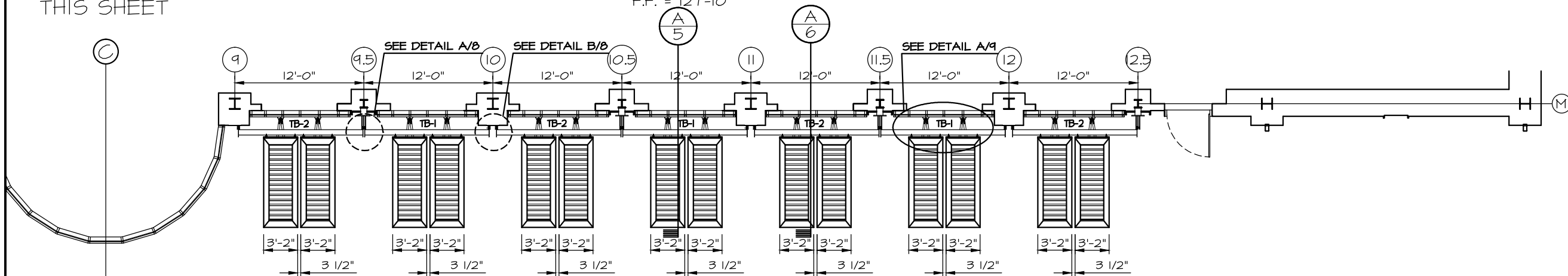
F.F. = 127'-10"



MATCH LINE THIS SHEET

NEW BUILDING 3RD FLOOR

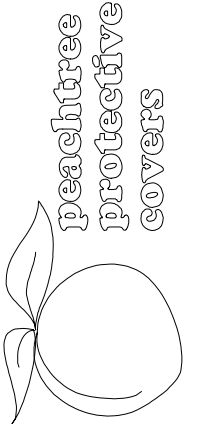
F.F. = 127'-10"



SUNSCREEN PLANS

SCALE: 3/32"=1'-0"

3RD FLOOR



1477 ROSEDALE DRIVE HIRAM, GA 30141
 PHONE (770) 439-2120 FAX (770) 439-2122

JOB NAME: ALEXANDRIA INTERNATIONAL AIRPORT
 LOCATION: ALEXANDRIA, LA
 ARCHITECT: URS CONSULTANTS
 CONTRACTOR: RATCLIFF CONSTRUCTION

REVISIONS

DRAWN: LISA

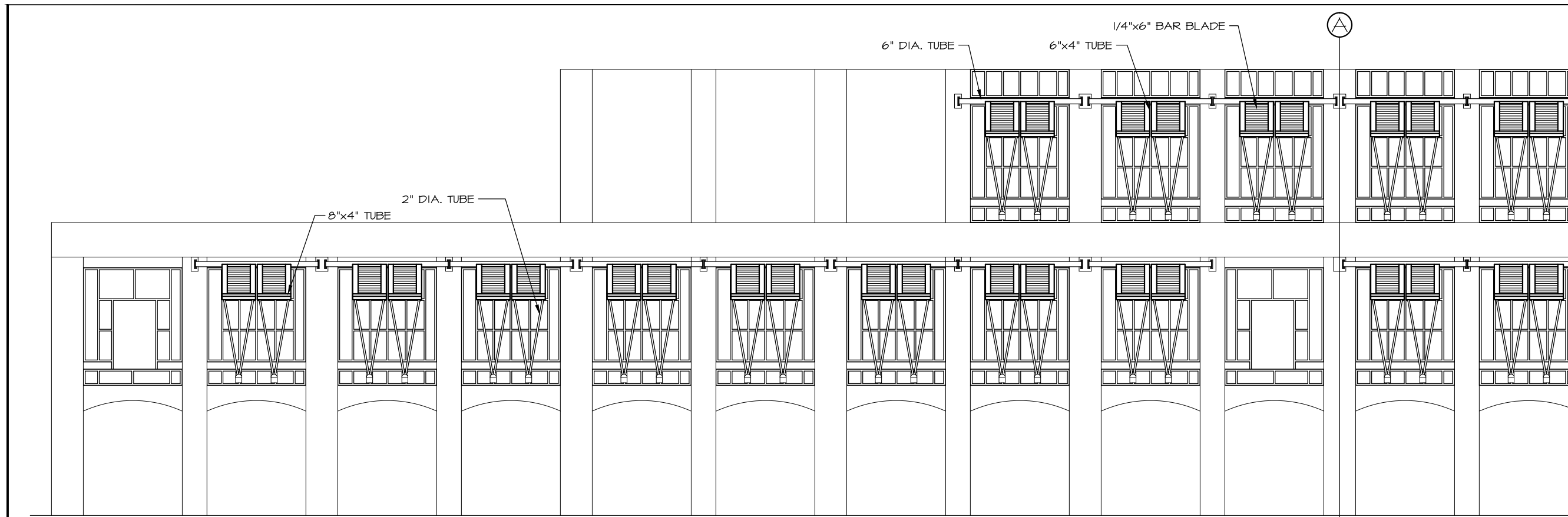
SCALE: AS SHOWN

DATE: 8/13/04

JOB #

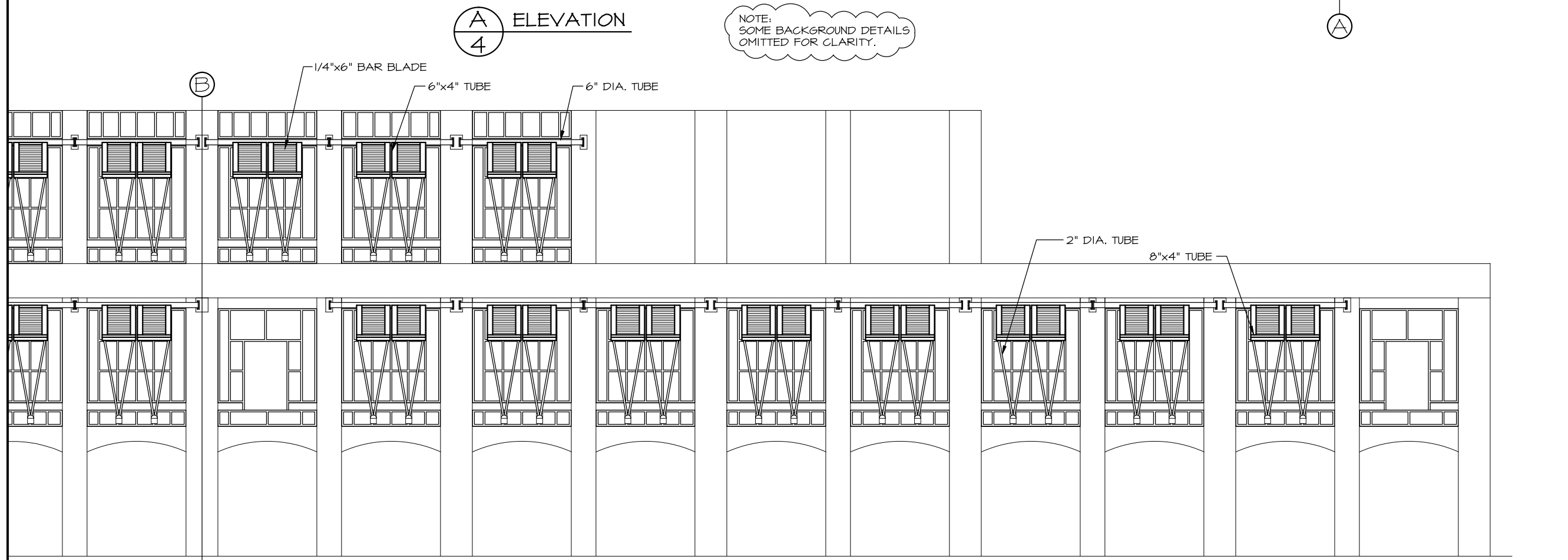
3362

SHT 4 OF 9



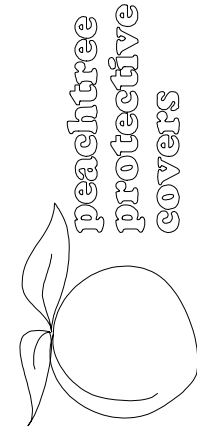
A
4
ELEVATION

NOTE:
SOME BACKGROUND DETAILS
OMITTED FOR CLARITY.



B
4
ELEVATION

NOTE:
SOME BACKGROUND DETAILS
OMITTED FOR CLARITY.



1477 ROSEDALE DRIVE HIRAM, GA 30141
 PHONE (770) 439-2120 FAX (770) 439-2122

JOB NAME: ALEXANDRIA INTERNATIONAL AIRPORT
 LOCATION: ALEXANDRIA, LA
 ARCHITECT: URS CONSULTANTS
 CONTRACTOR: RATCLIFF CONSTRUCTION

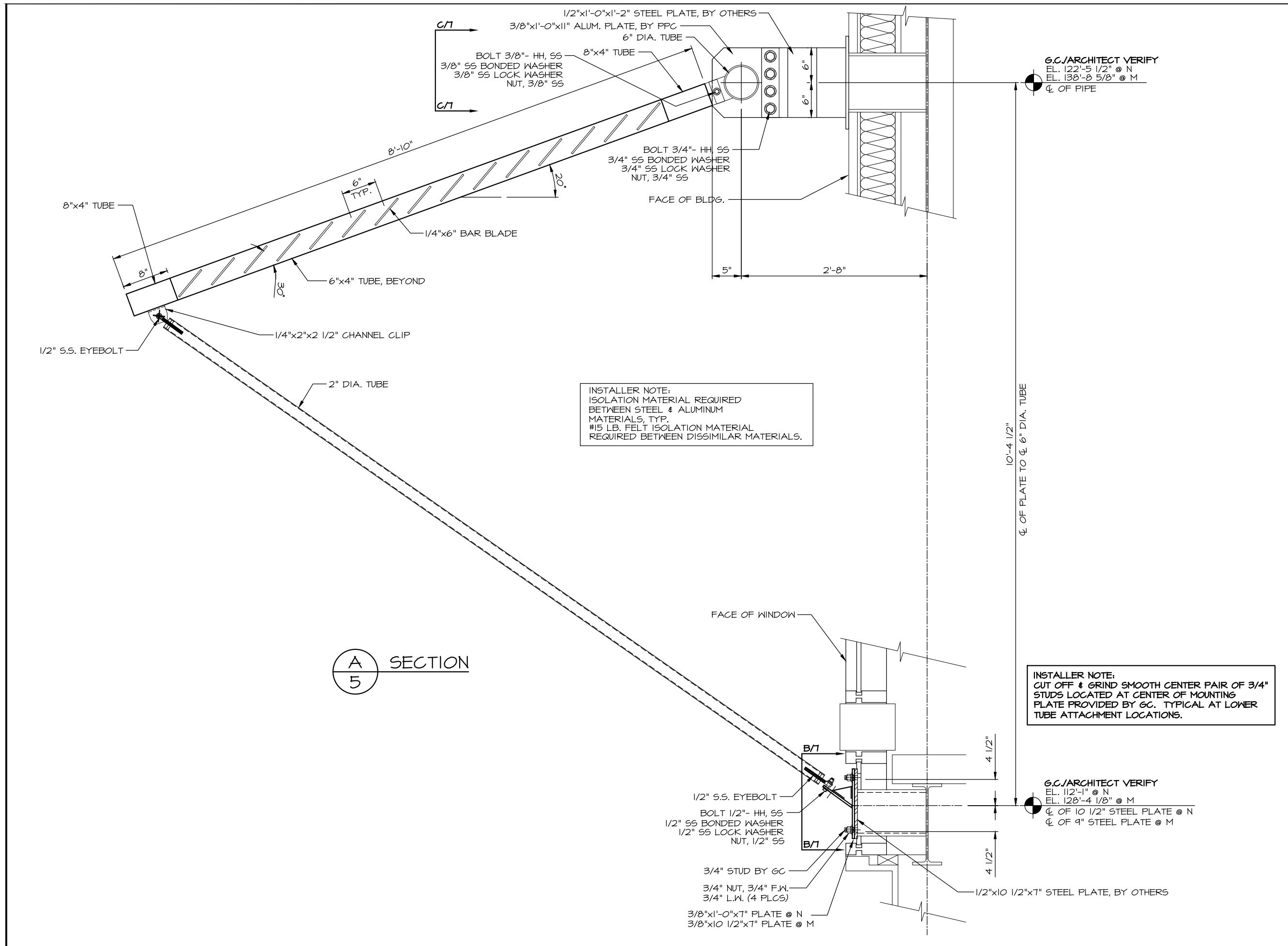
REVISIONS	

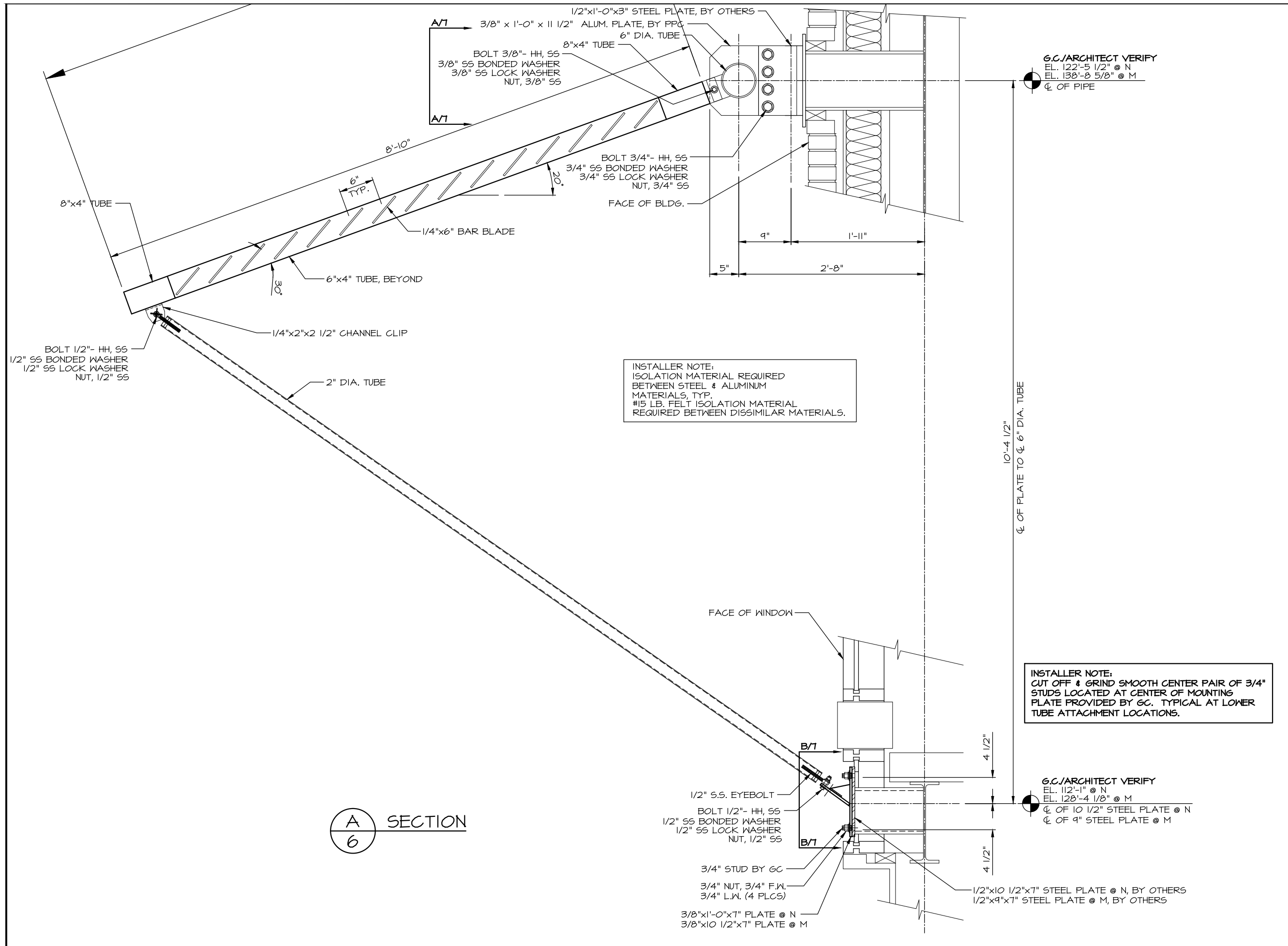
DRAWN: LISA

SCALE: AS SHOWN

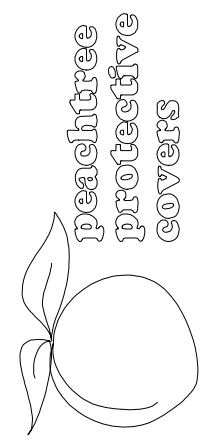
DATE: 8/13/04

JOB #
3362
 SHT 5 OF 9





A
6 SECTION



1477 ROSEDALE DRIVE HIRAM, GA 30141
 PHONE (770) 439-2120
 FAX (770) 439-2122

JOB NAME: ALEXANDRIA INTERNATIONAL AIRPORT
 LOCATION: ALEXANDRIA, LA
 ARCHITECT: URS CONSULTANTS
 CONTRACTOR: RATCLIFF CONSTRUCTION

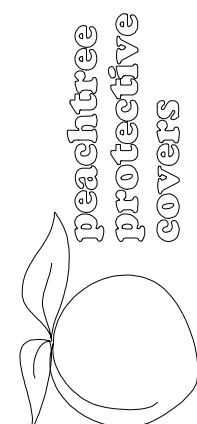
REVISIONS	

DRAWN: LISA

SCALE: AS SHOWN

DATE: 8/13/04

JOB #
3362
 SHT **6** OF **9**



1477 ROSEDALE DRIVE HIRAM, GA 30141
 PHONE (770) 439-2120
 FAX (770) 439-2122

JOB NAME: ALEXANDRIA INTERNATIONAL AIRPORT
 LOCATION: ALEXANDRIA, LA
 ARCHITECT: URS CONSULTANTS
 CONTRACTOR: RATCLIFF CONSTRUCTION

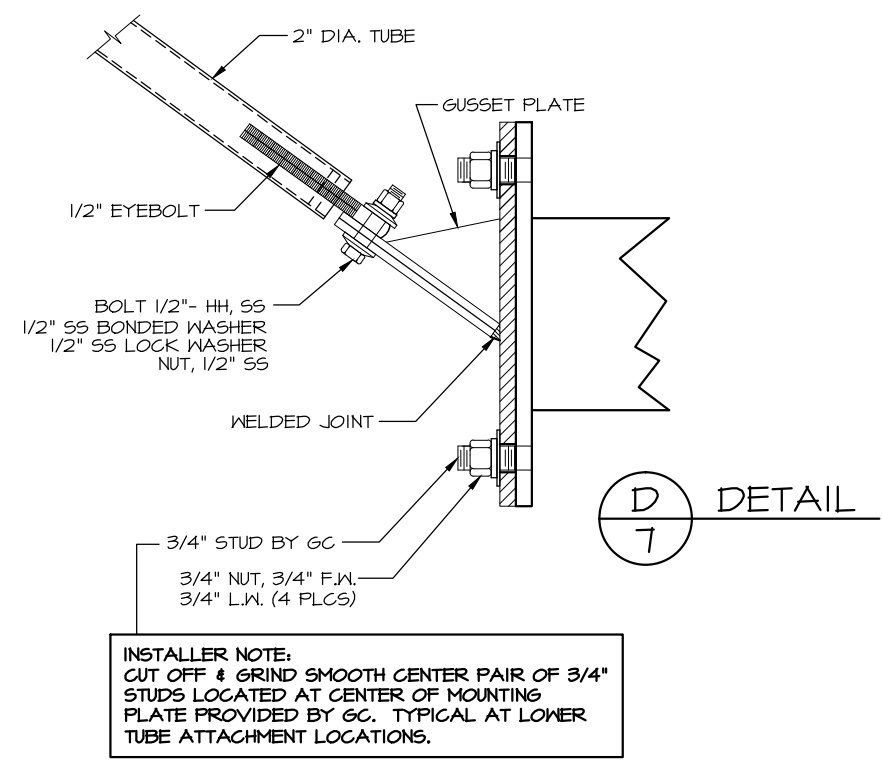
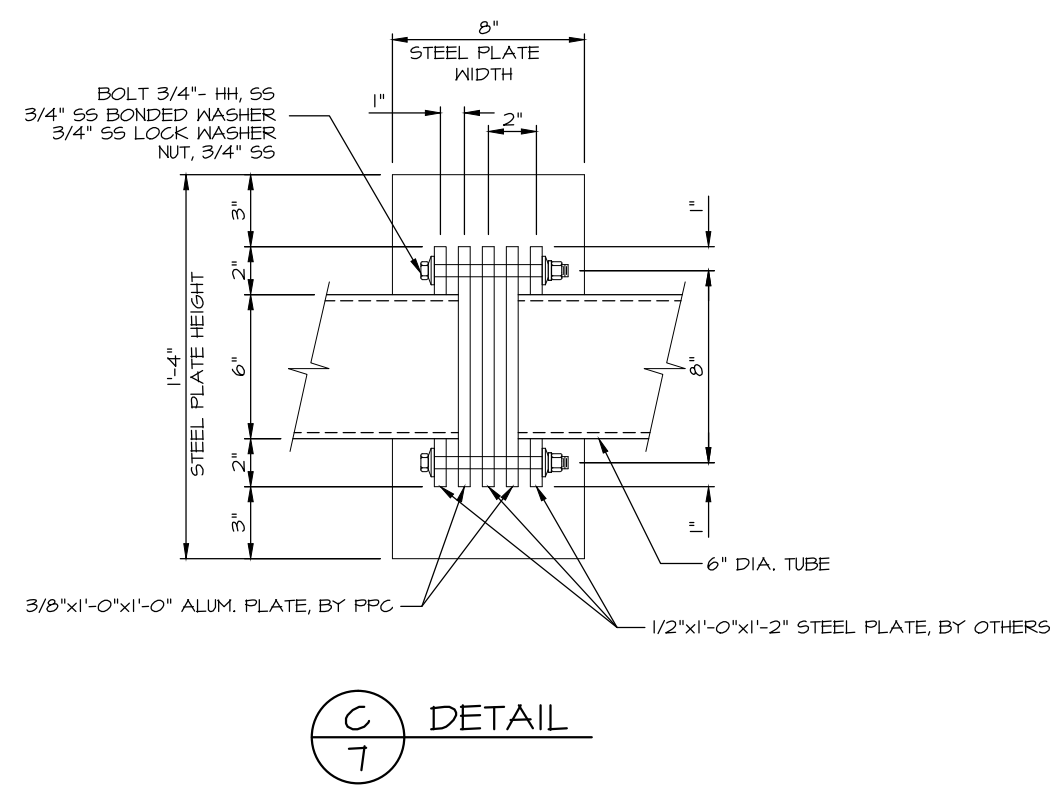
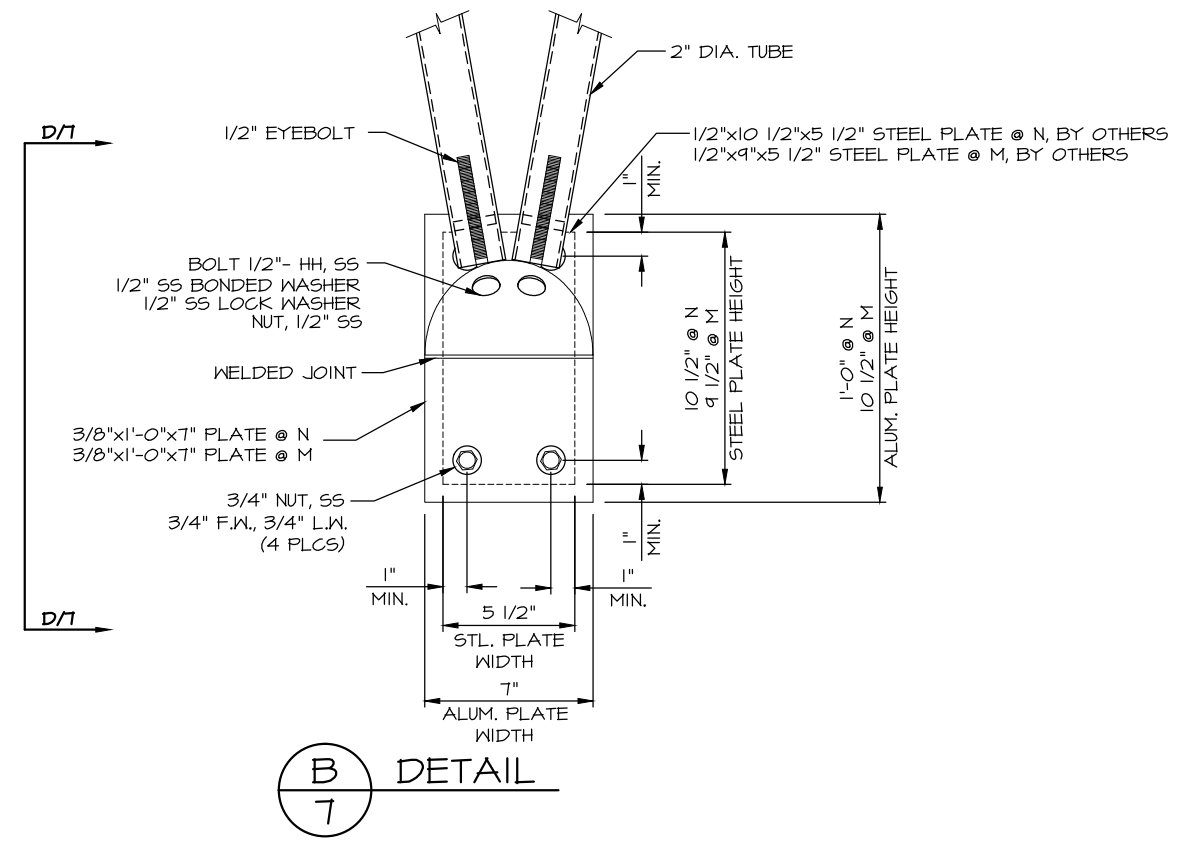
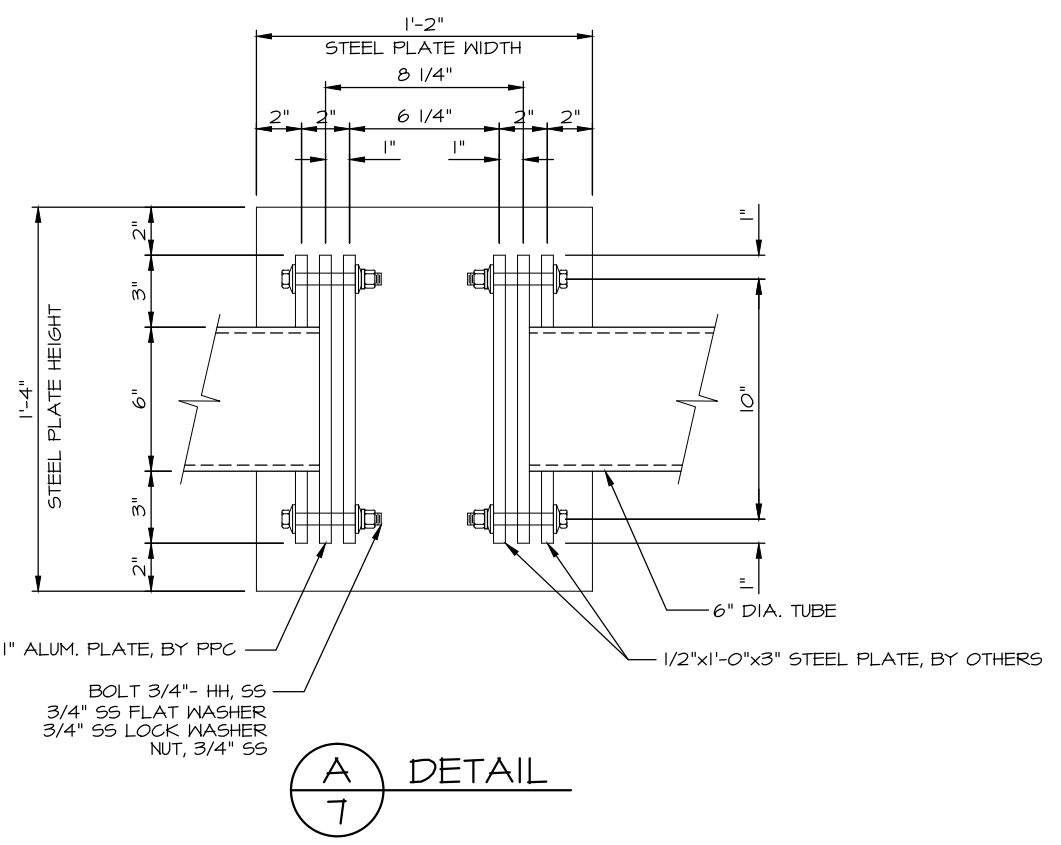
REVISIONS	

DRAWN: LISA

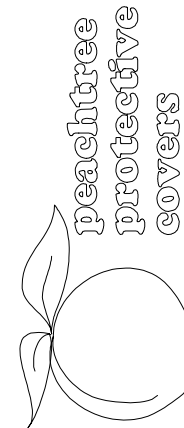
SCALE: AS SHOWN

DATE: 8/13/04

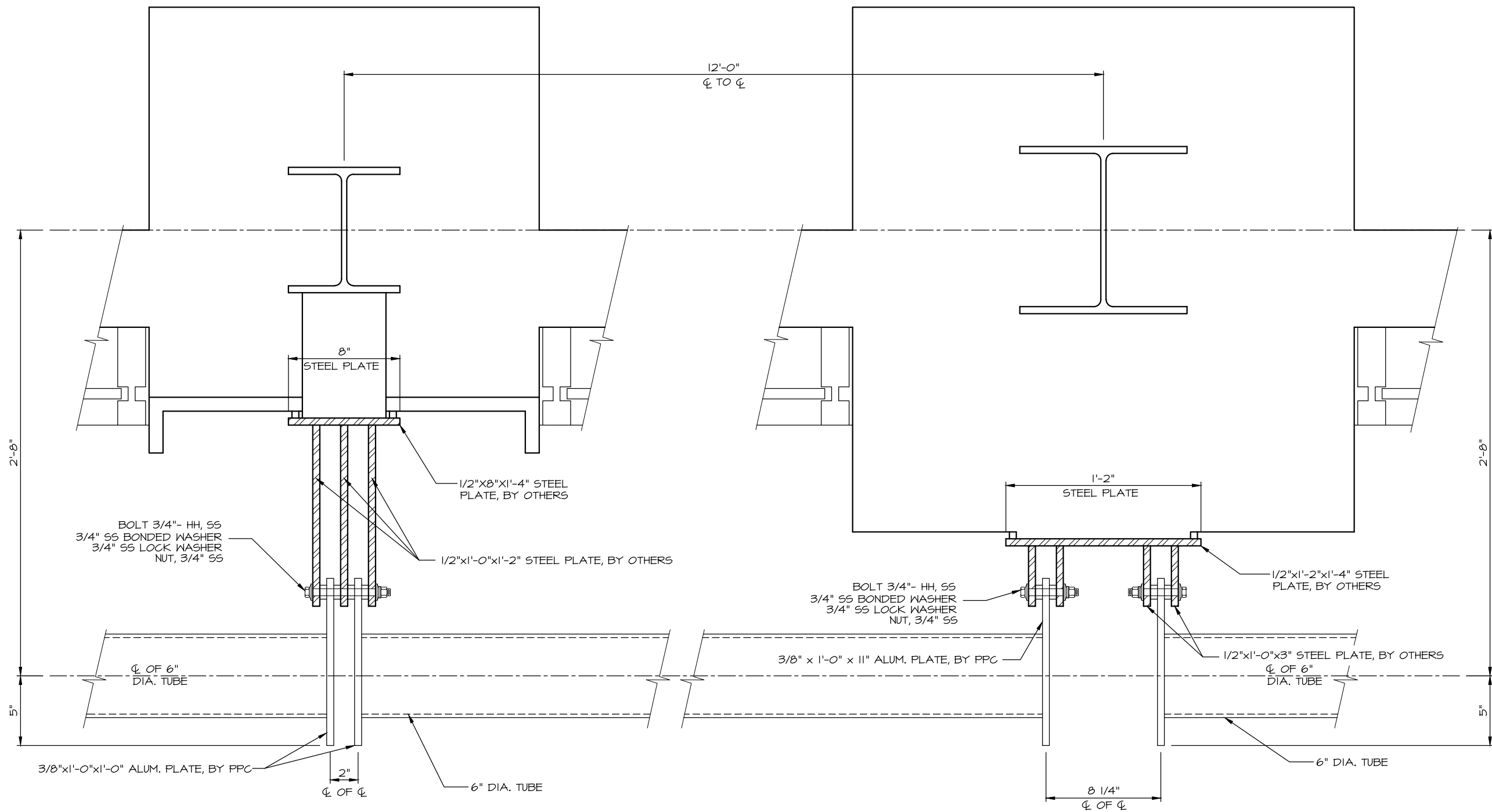
JOB #
3362
 SHT 7 OF 9



INSTALLER NOTE:
 CUT OFF & GRIND SMOOTH CENTER PAIR OF 3/4" STUDS LOCATED AT CENTER OF MOUNTING PLATE PROVIDED BY GC. TYPICAL AT LOWER TUBE ATTACHMENT LOCATIONS.



1477 ROSEDALE DRIVE HIRAM, GA 30141
 PHONE (770) 439-2120 FAX (770) 439-2122



A
SECTION

B
SECTION

JOB NAME: ALEXANDRIA INTERNATIONAL AIRPORT

LOCATION: ALEXANDRIA, LA

ARCHITECT: URS CONSULTANTS

CONTRACTOR: RATCLIFF CONSTRUCTION

REVISIONS

DRAWN: LISA

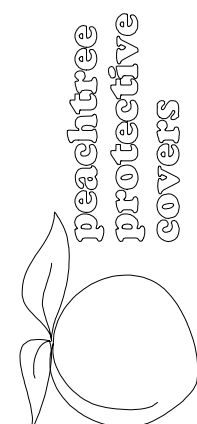
SCALE: AS SHOWN

DATE: 8/13/04

JOB #

3362

SHT 8 OF 9



1477 ROSEDALE DRIVE HIRAM, GA 30141
 PHONE (770) 439-2120
 FAX (770) 439-2122

JOB NAME: ALEXANDRIA INTERNATIONAL AIRPORT

LOCATION: ALEXANDRIA, LA

ARCHITECT: URS CONSULTANTS

CONTRACTOR: RATCLIFF CONSTRUCTION

REVISIONS

DRAWN: LISA

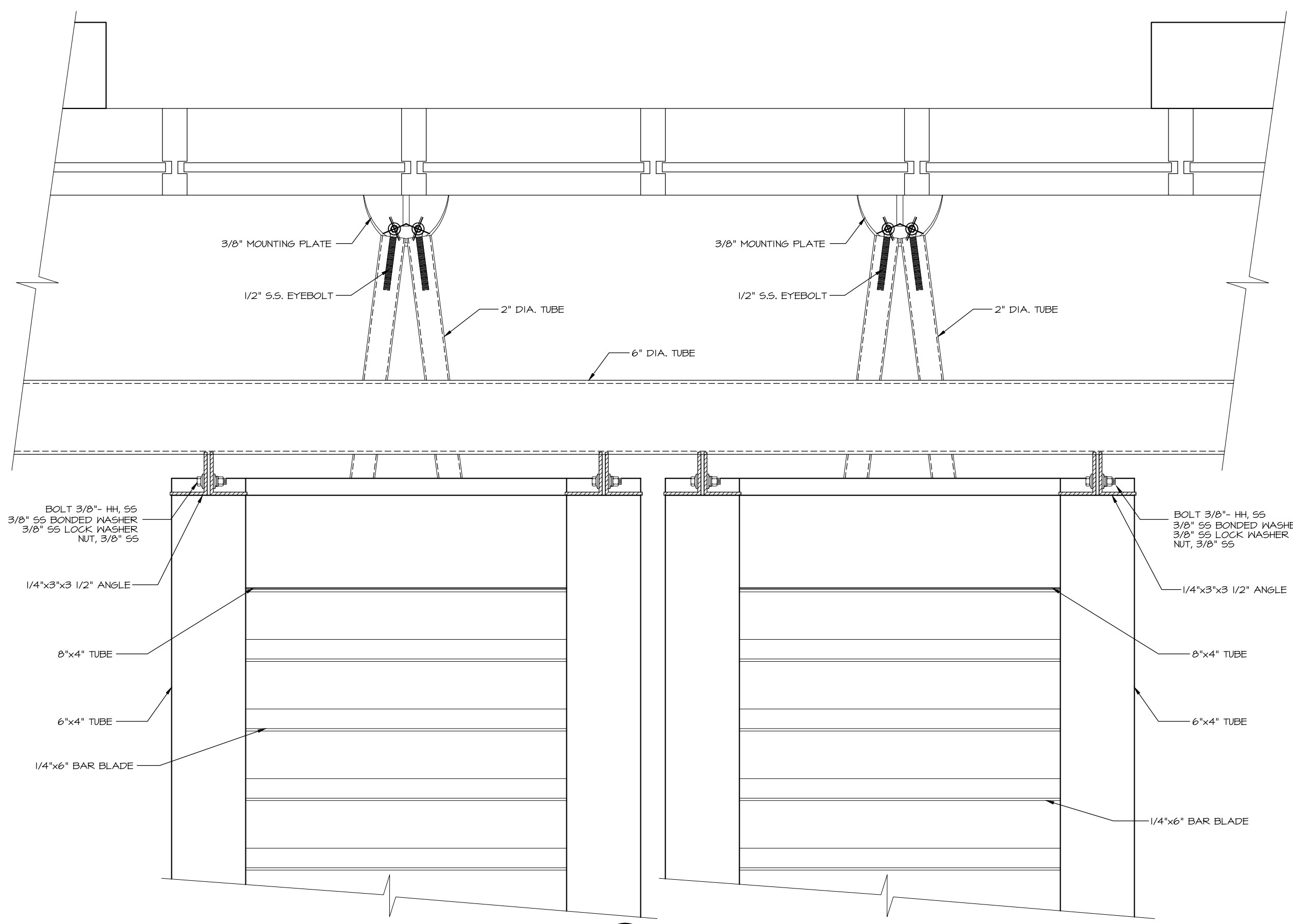
SCALE: AS SHOWN

DATE: 8/13/04

JOB #

3362

SHT 9 OF 9



A SECTION
 9