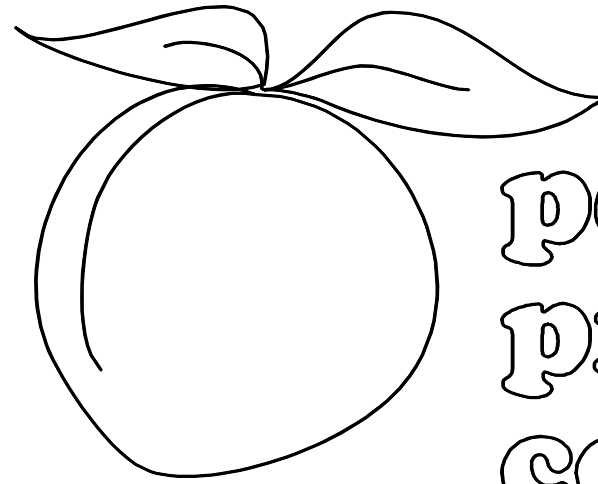


JOB#: 3498



peachtree  
protective  
covers

BALTIMORE AIR COIL  
(TRAMMELL CROW, INC.)

JESSUP, MD

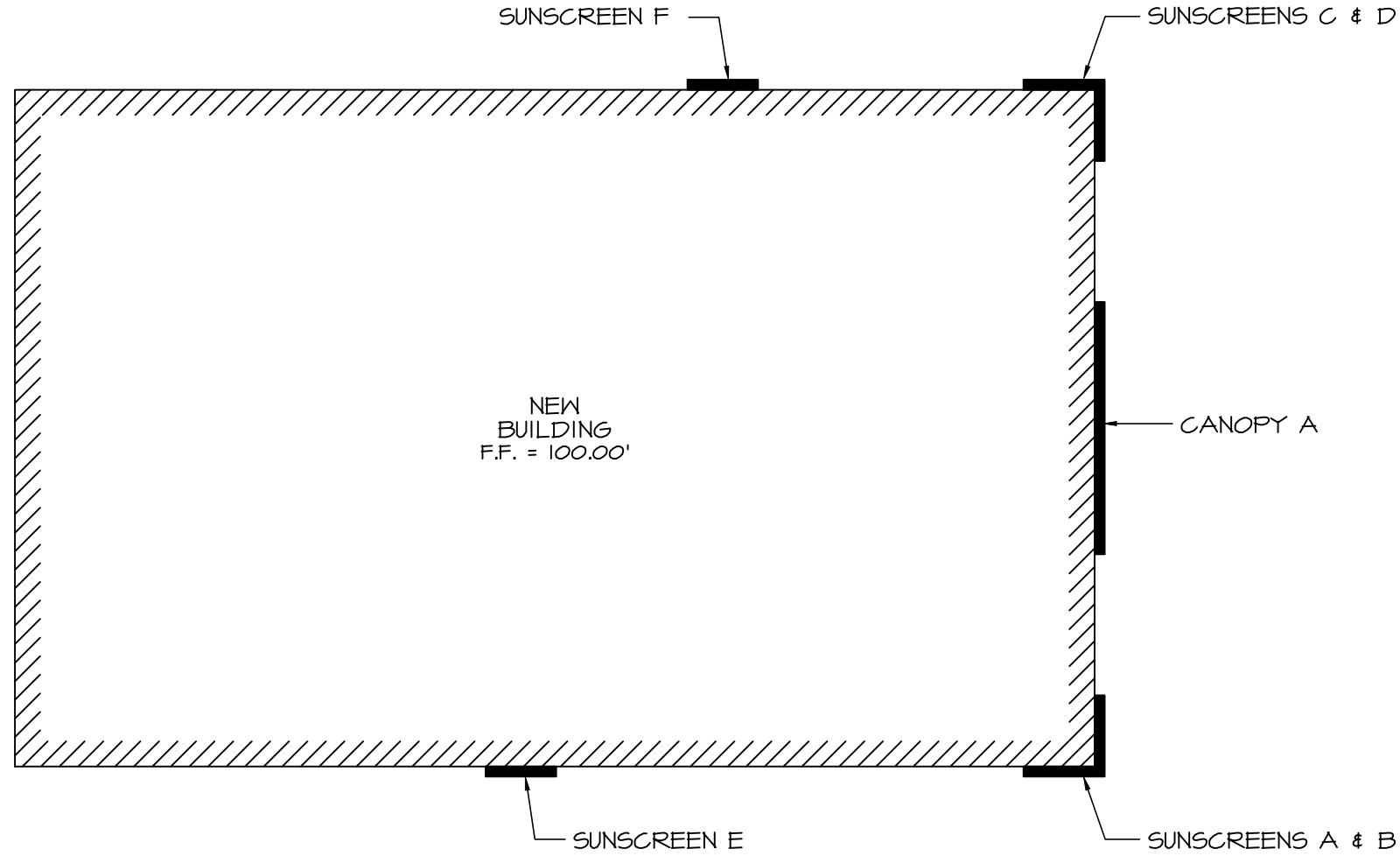
BY

MORGAN GICK & ASSOCIATES, PC

MARCH 28, 2005

1477 ROSEDALE DRIVE  
HIRAM, GA 30141  
(770) 439-2120  
fax (770) 439-2122

moore 3/28/2005 5:54 PM 3498-FF.DWG

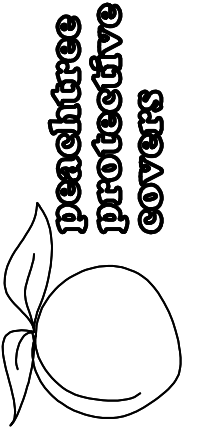


**KEY PLAN**

N.T.S.

**FINISH SCHEDULE**

DESCRIPTION	FINISH	COLOR
3" DECK	ANODIZE	CLEAR (A41)
1/4" X 8" TAPERED OUTRIGGER PLATE	ANODIZE	CLEAR (A41)
4" ELLIPTICAL BLADE	ANODIZE	CLEAR (A41)
4 <sup>3</sup> / <sub>8</sub> " FASCIA TUBE	ANODIZE	CLEAR (A41)
6 <sup>3</sup> / <sub>8</sub> " GUTTER FASCIA	ANODIZE	CLEAR (A41)



peachtree protective covers  
 14711 ROSEDALE DRIVE PHONE (770) 484-2120  
 HIRSH, GA 30441 FAX (770) 484-2122

JOB NAME: BALTIMORE AIR COIL (TRAMMELL CROW, INC.)

LOCATION: JESSUP, MD

ARCHITECT: MORGAN GICK & ASSOCIATES, PC

CONTRACTOR: HARVEY-CLEARY BUILDERS

REVISIONS


DRAWN: Jim Brown

SCALE: AS SHOWN

DATE: 12/17/04

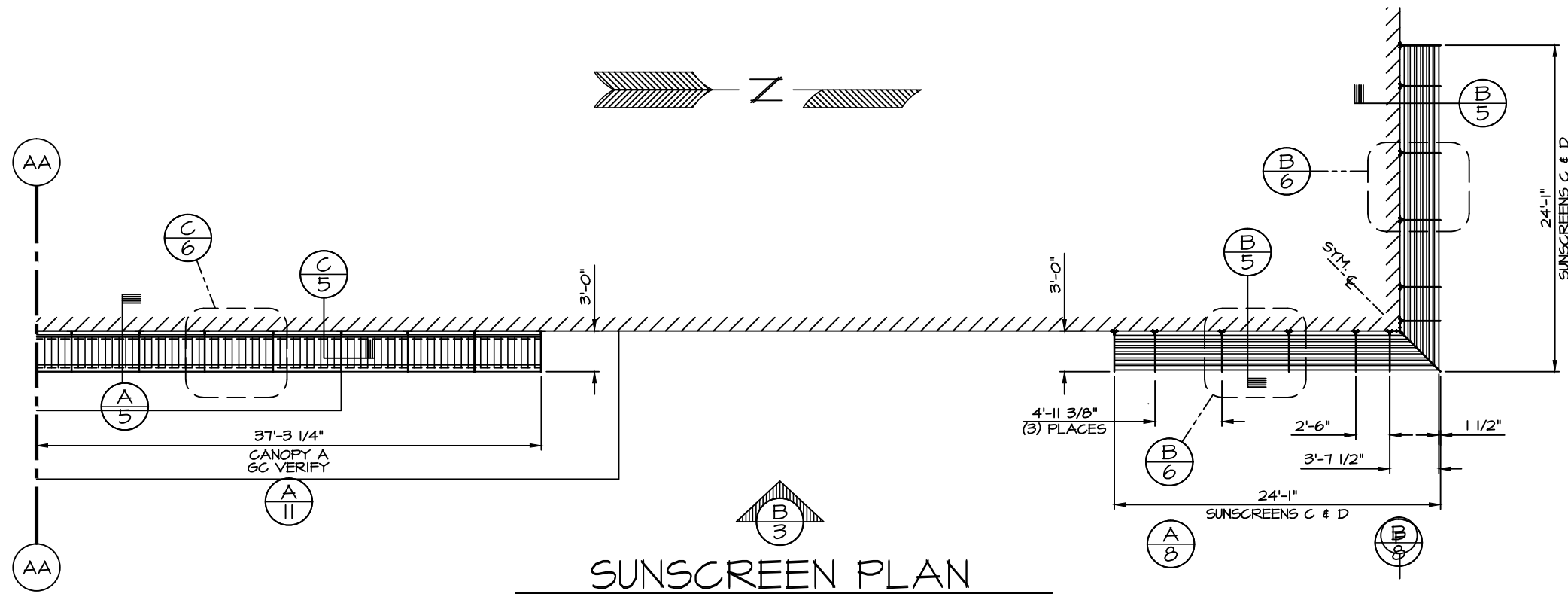
JOB #

3498

SHT | OF | 11



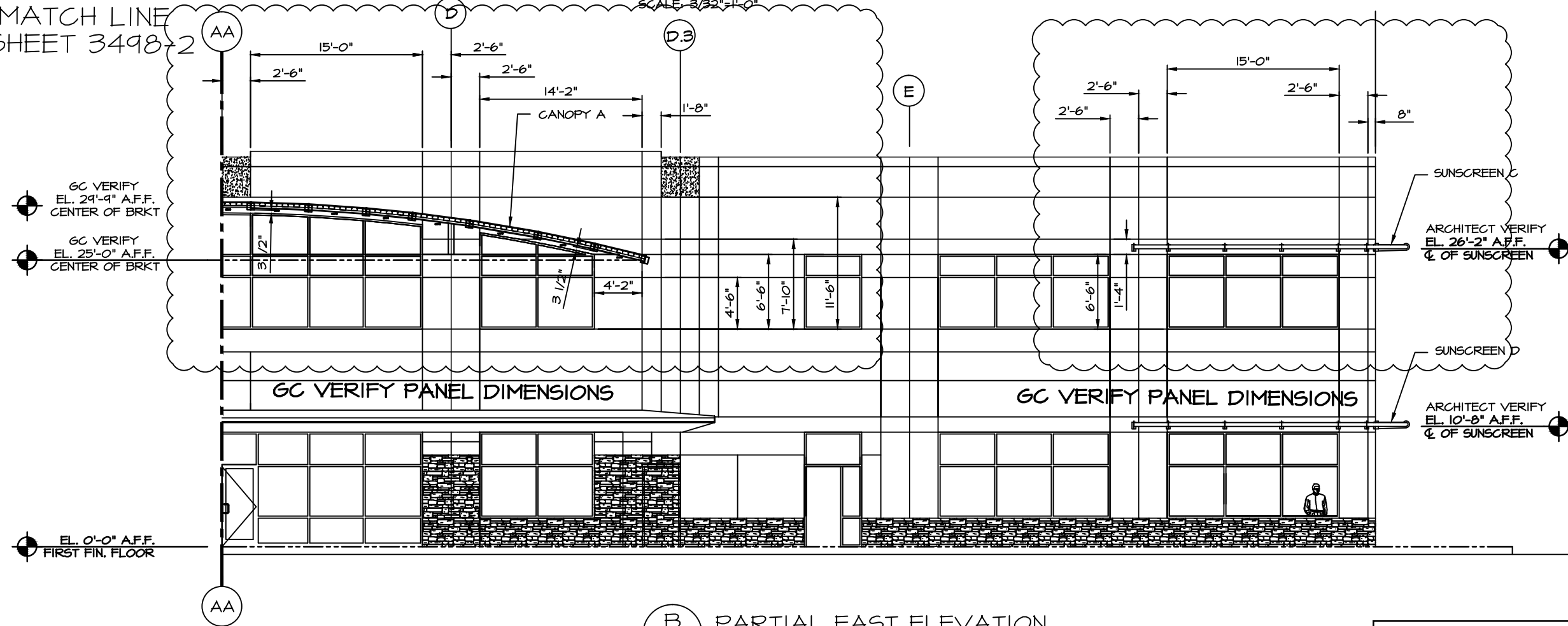
amcore 3/28/2005 5:54 PM 3498-FF.DWG



SUNSCREEN PLAN

SCALE: 3/32"=1'-0"

MATCH LINE  
SHEET 3498-2



B PARTIAL EAST ELEVATION

3

NOTE:  
SOME BACKGROUND DETAILS  
OMITTED FOR CLARITY.



14711 ROSEDALE DRIVE PHONE (770) 484-2120  
Hiram, GA 30141 FAX (770) 484-2122

JOB NAME: BALTIMORE AIR COIL (TRAMMELL CROW, INC.)

LOCATION: JESSUP, MD

ARCHITECT: MORGAN GICK & ASSOCIATES, PC

CONTRACTOR: HARVEY-CLEARY BUILDERS

REVISIONS

DRAWN: Jim Brown

SCALE: AS SHOWN

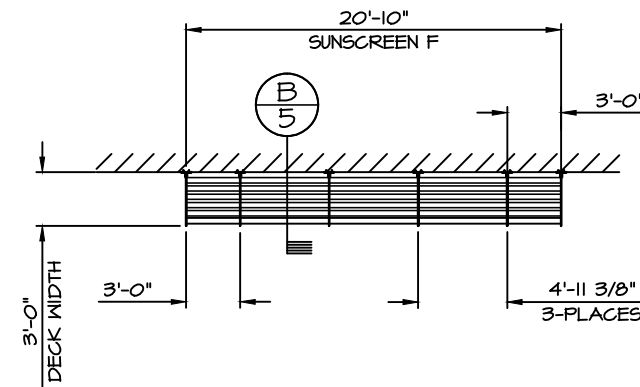
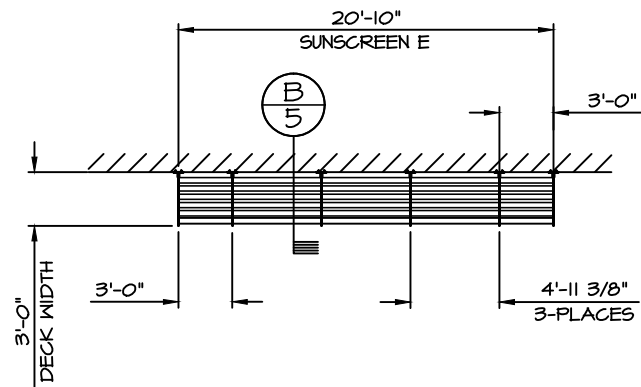
DATE: 12/17/04

JOB #

3498

SHT 3 OF 11

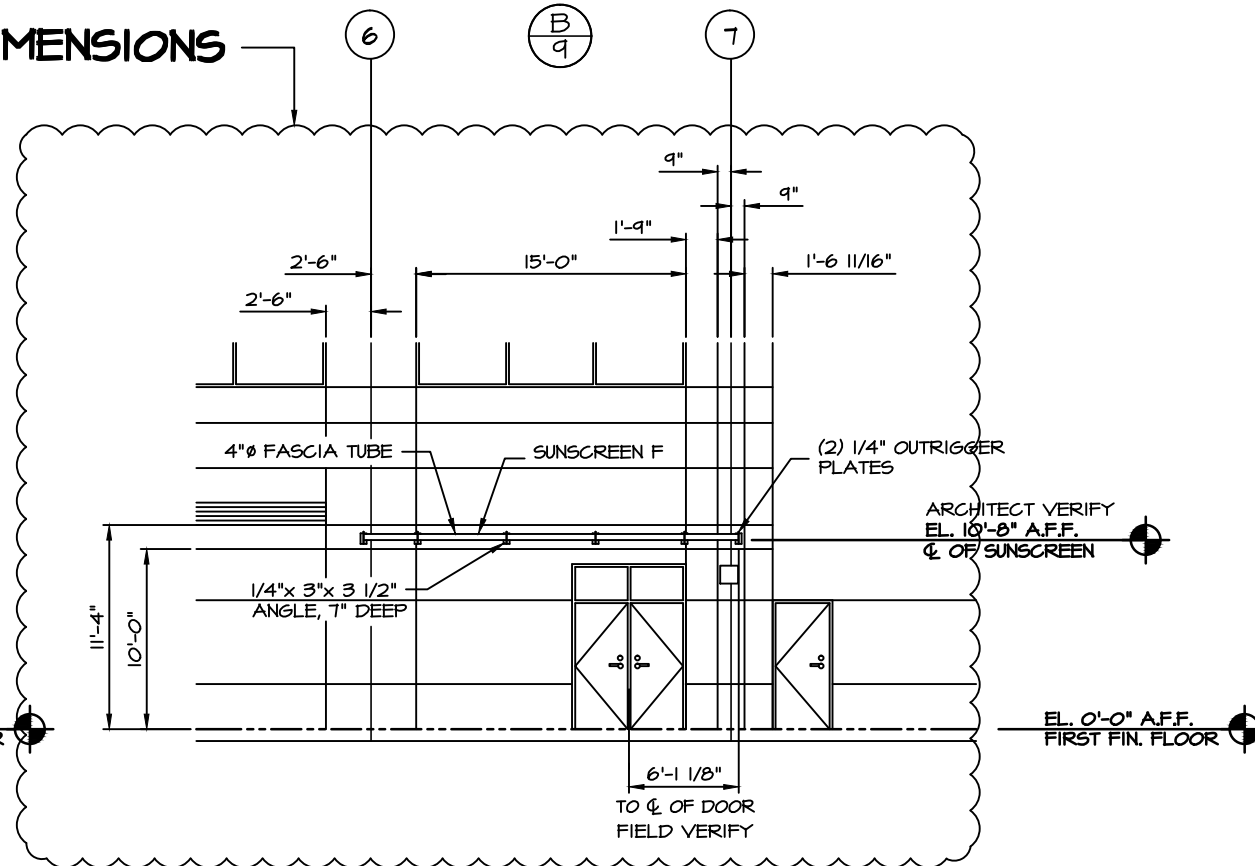
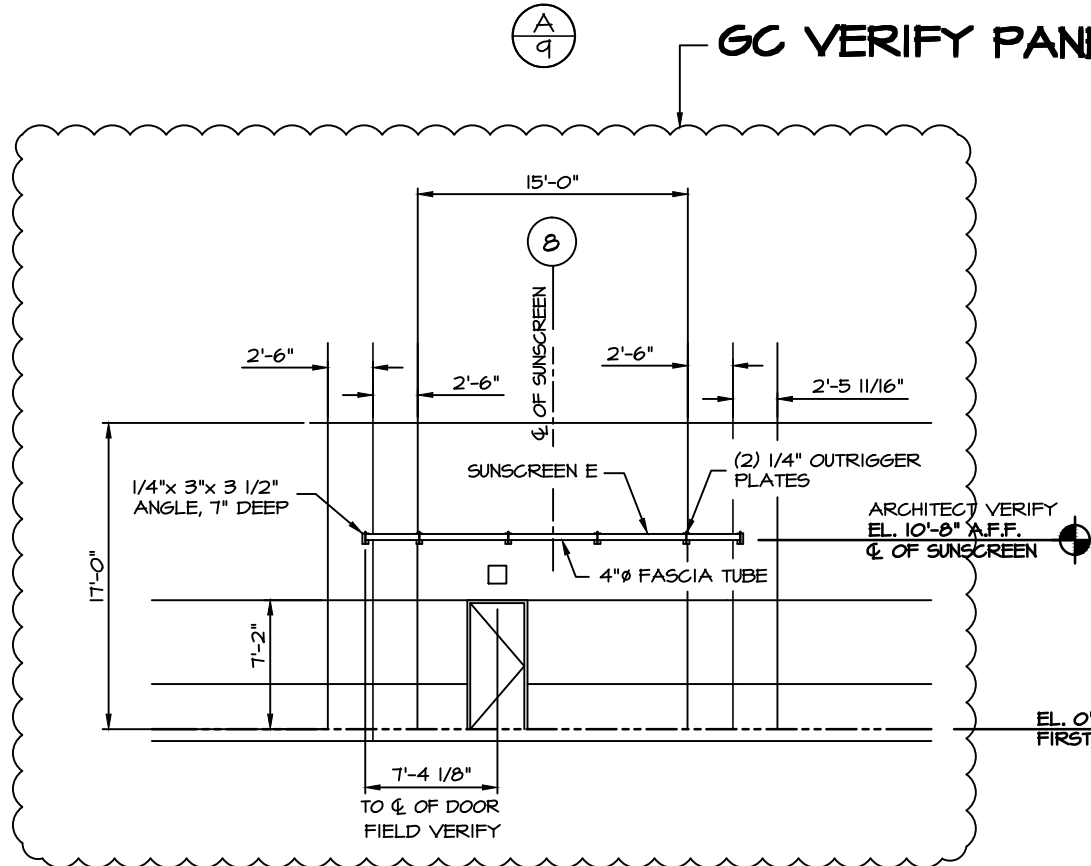
amcore 3/28/2005 5:54 PM 3498-FF.DWG



**SUNSCREEN PLAN**  
SCALE: 3/32"=1'-0"  
SUNSCREEN E

**SUNSCREEN PLAN**  
SCALE: 3/32"=1'-0"  
SUNSCREEN F

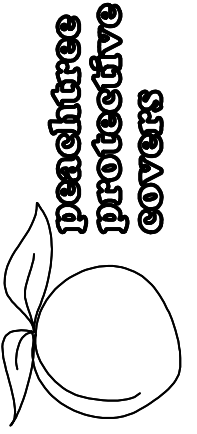
**GC VERIFY PANEL DIMENSIONS**



**C/4 PARTIAL SOUTH ELEVATION**

**D/4 PARTIAL NORTH ELEVATION**

**NOTE:  
SOME BACKGROUND DETAILS  
OMITTED FOR CLARITY.**



peachtree  
protective  
covers  
14771 ROSEDALE DRIVE PHONE (770) 484-2120  
HUNTSVILLE, GA 35894 FAX (770) 484-2122

JOB NAME: BALTIMORE AIR COIL (TRAMMELL CROW, INC.)

LOCATION: JESSUP, MD

ARCHITECT: MORGAN GICK & ASSOCIATES, PC

CONTRACTOR: HARVEY-CLEARY BUILDERS

**REVISIONS**

DRAWN: Jim Brown

SCALE: AS SHOWN

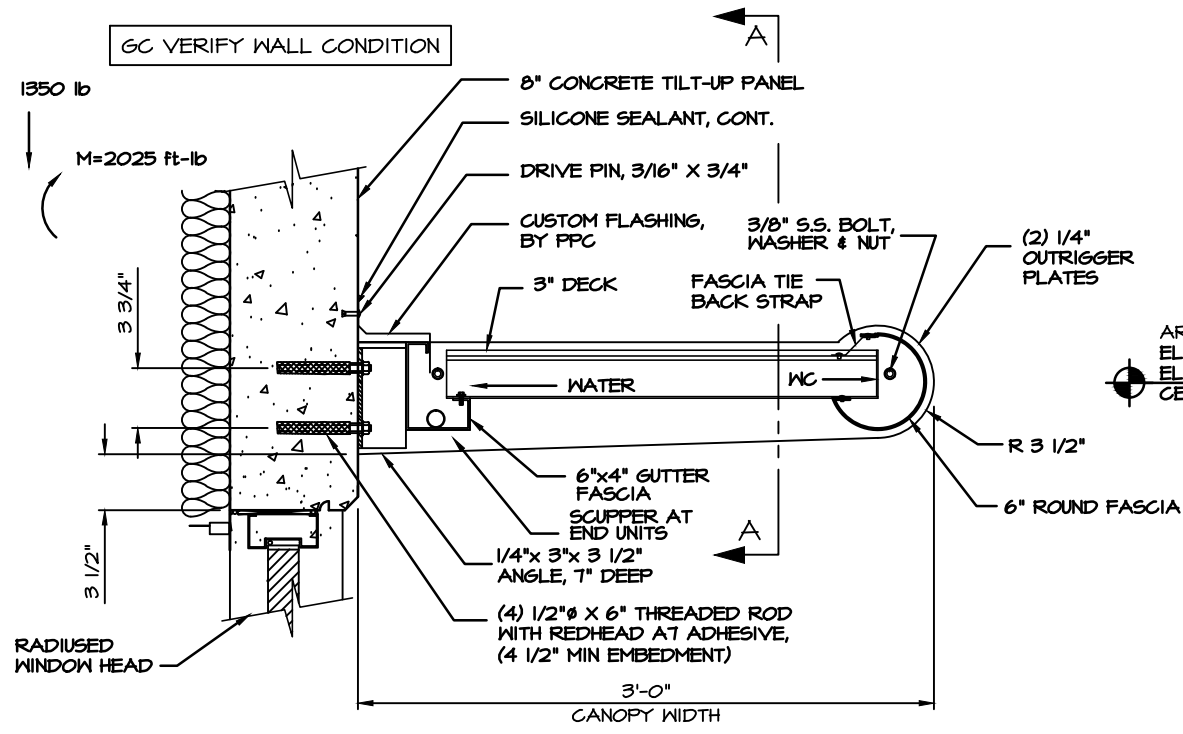
DATE: 12/17/04

JOB #

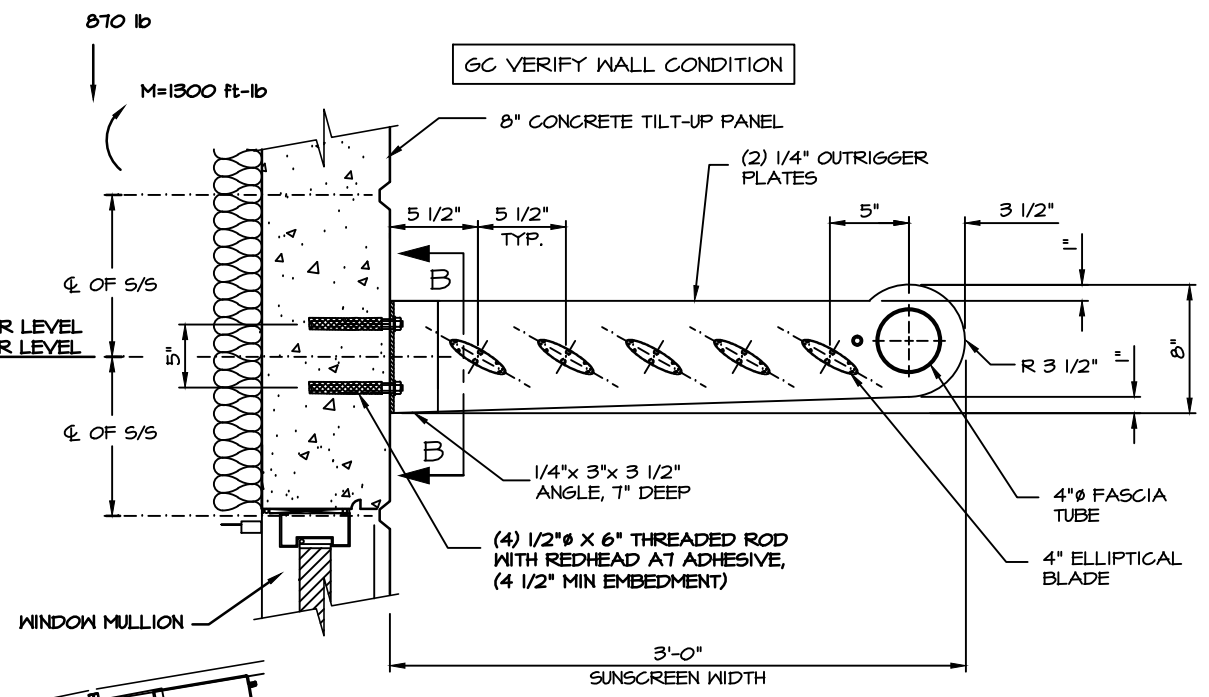
3498

SHT 4 OF 11

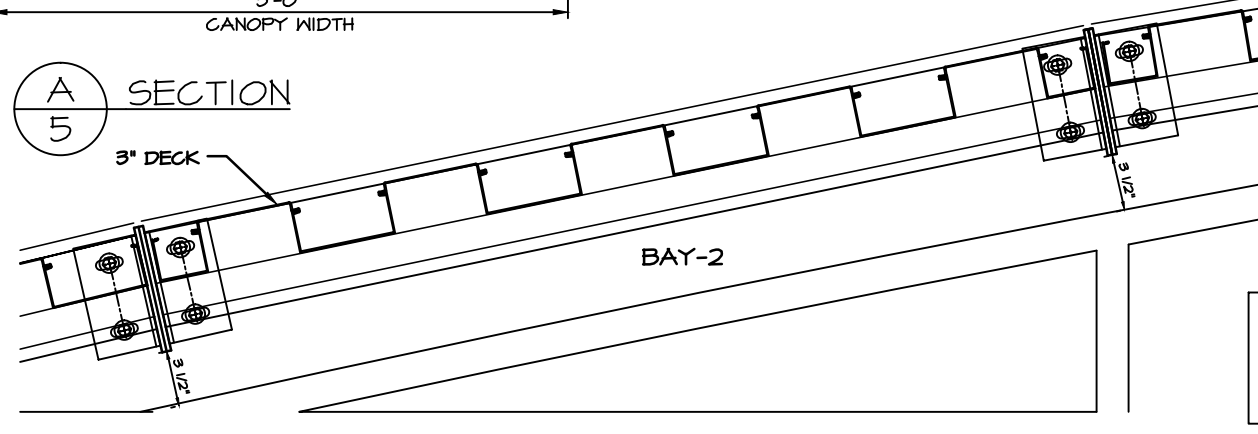
amcree 3/28/2005 5:54 PM 3498-FF.DWG



**A**  
5 SECTION

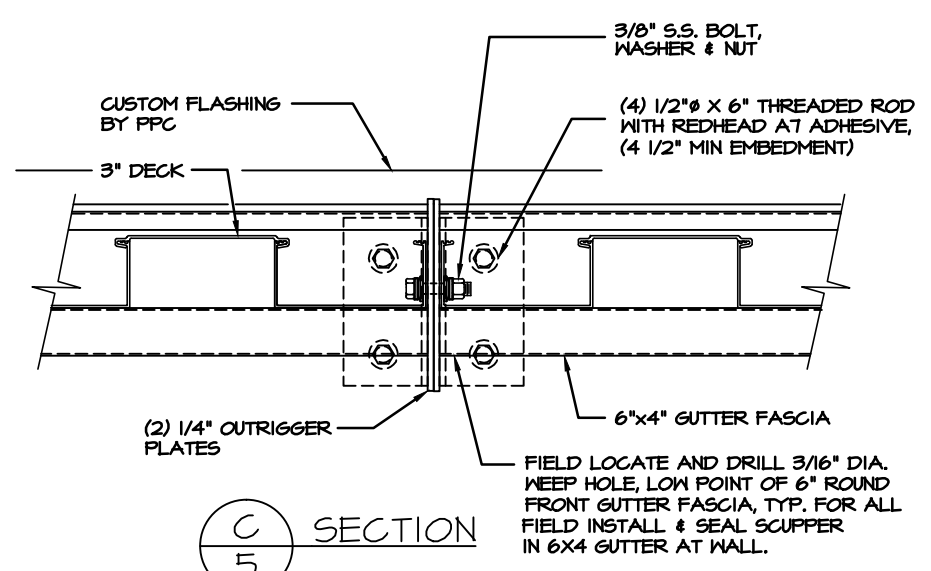


**B**  
5 SECTION

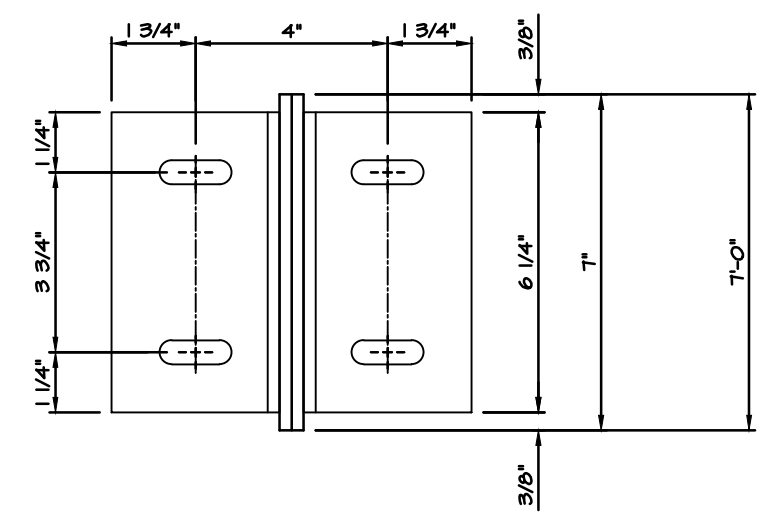


**A**  
A SECTION

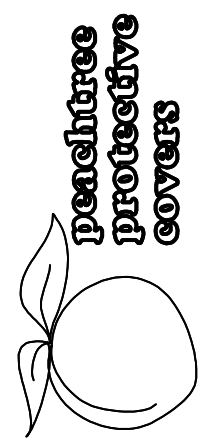
**ERECTOR NOTE:**  
INSTALL UNITS STARTING AT BAY-0 WORKING LEFT & RIGHT.  
HOLD BOTTOM OF BRACKETS 3 1/2" ABOVE WINDOW MULLIONS.



**C**  
5 SECTION



**B**  
B SECTION



1471 ROSEDALE DRIVE PHONE (770) 484-2120  
HUNTSVILLE, GA 35894 FAX (770) 484-2122

JOB NAME: BALTIMORE AIR COIL (TRAMMELL CROW, INC.)  
LOCATION: JESSUP, MD  
ARCHITECT: MORGAN GICK & ASSOCIATES, PC  
CONTRACTOR: HARVEY-CLEARY BUILDERS

REVISIONS	
JRC 7/3/05	
DRAWN: Jim Brown	
SCALE: AS SHOWN	
DATE: 12/17/04	
JOB #	
3498	
SHT 5 OF 11	



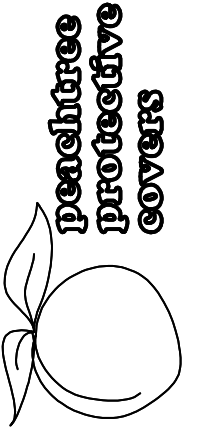
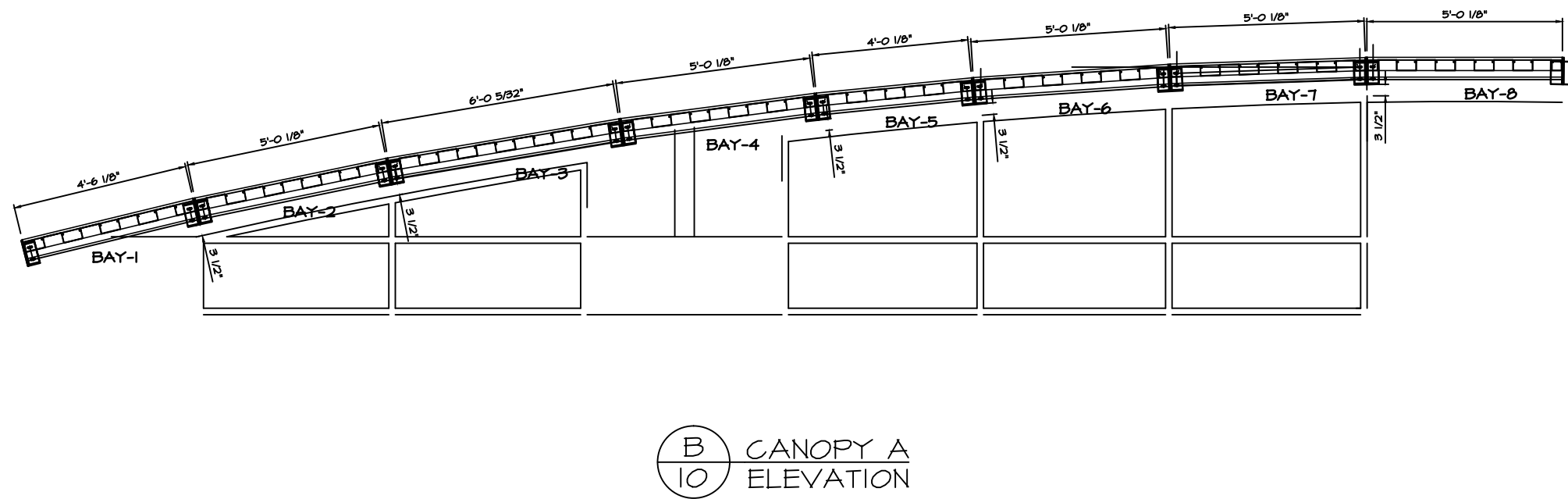
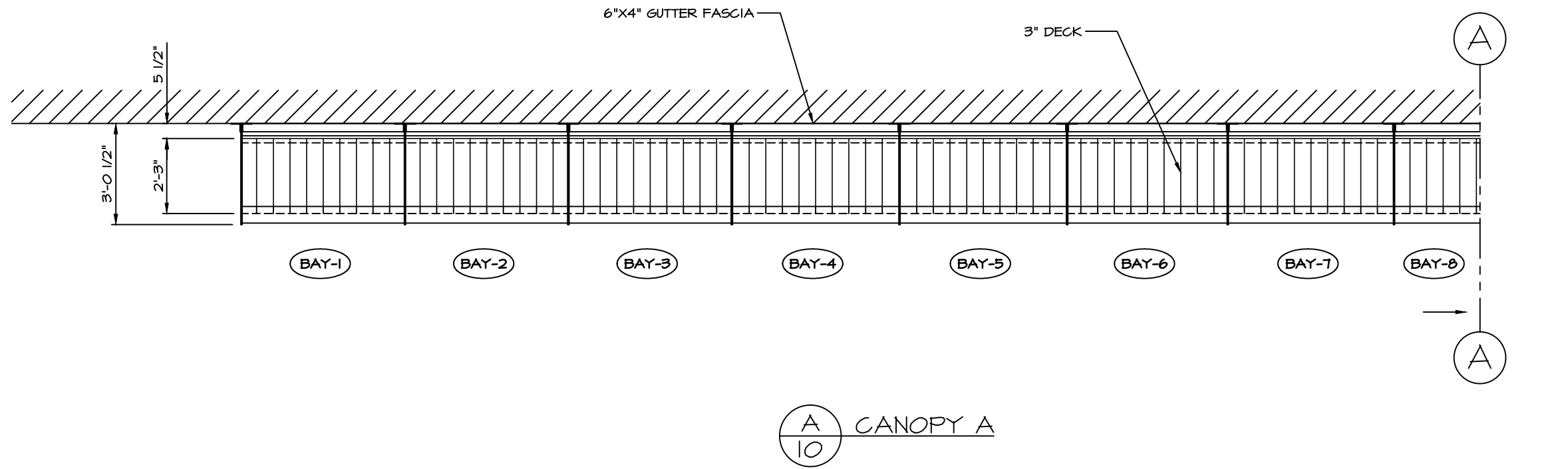








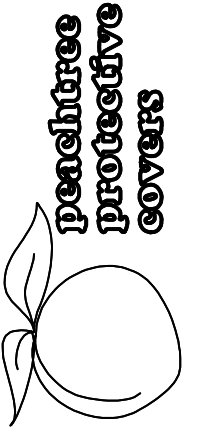
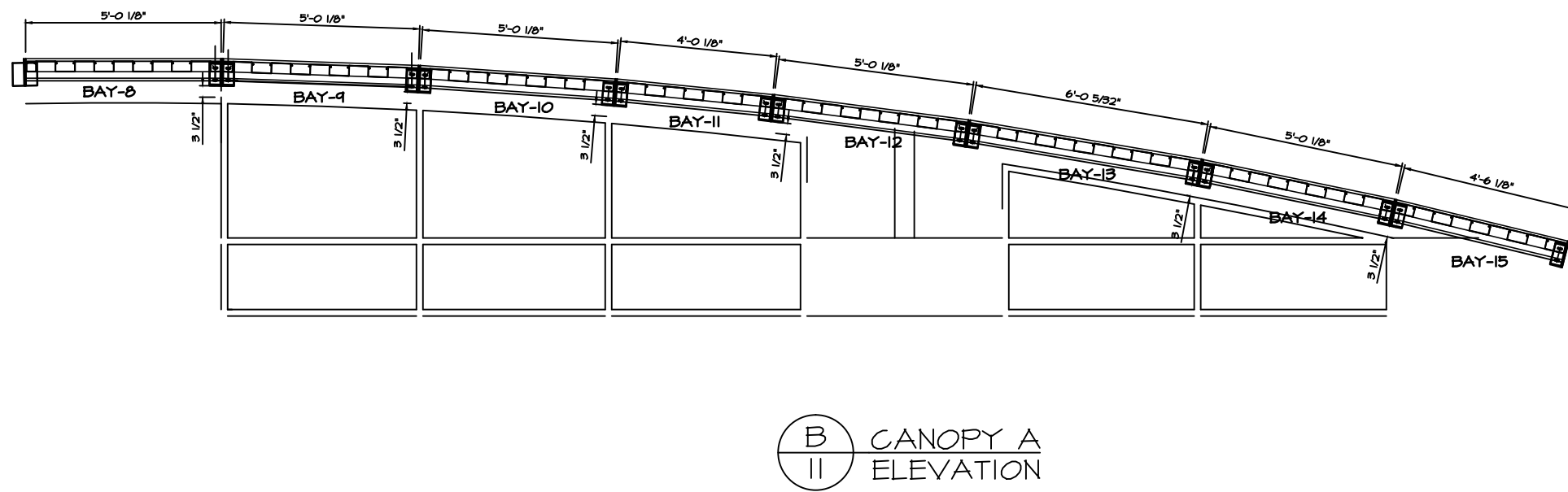
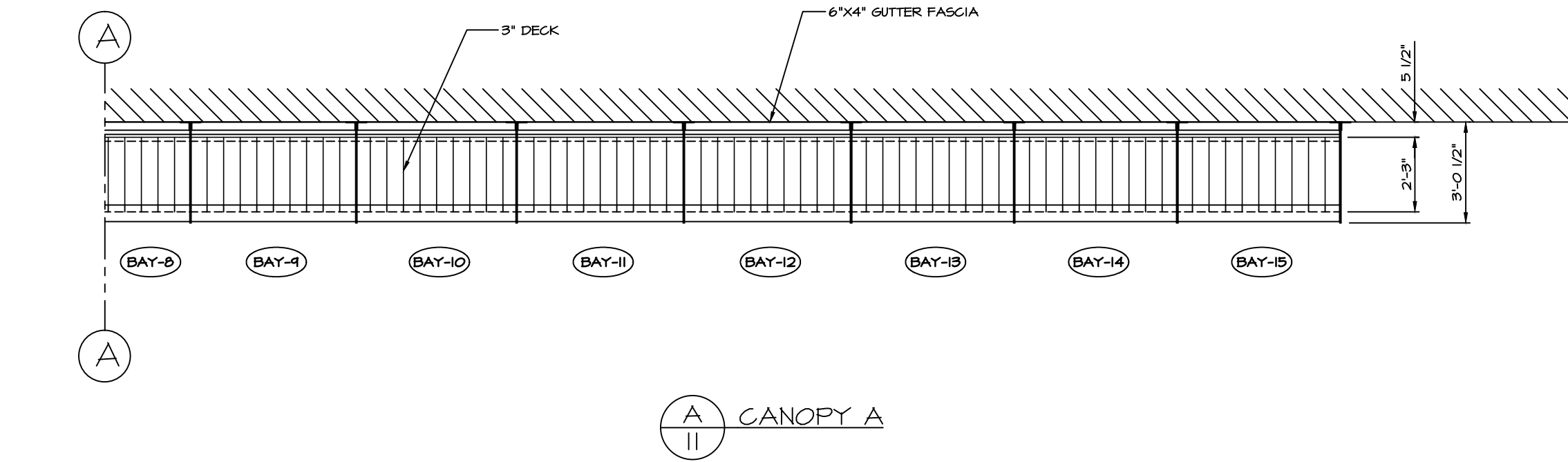
amooore 3/28/2005 5:54 PM 3498-FF.DWG



1471 ROSDALE DRIVE PHONE (770) 484-2120  
HUNTSVILLE, GA 30414 FAX (770) 484-2122

JOB NAME: BALTIMORE AIR COIL (TRAMMELL CROW, INC.)  
 LOCATION: JESSUP, MD  
 ARCHITECT: MORGAN GICK & ASSOCIATES, PC  
 CONTRACTOR: HARVEY-CLEARY BUILDERS

REVISIONS	
JRC 7/3/05	
DRAWN: Jim Brown	
SCALE: AS SHOWN	
DATE: 12/17/04	
JOB #	
3498	
SHT 10 OF 11	



14711 ROSEDALE DRIVE PHONE (770) 484-2120  
HUNTSVILLE, GA 35894 FAX (770) 484-2122

JOB NAME: BALTIMORE AIR COIL (TRAMMELL CROW, INC.)  
LOCATION: JESSUP, MD  
ARCHITECT: MORGAN GICK & ASSOCIATES, PC  
CONTRACTOR: HARVEY-CLEARY BUILDERS

REVISIONS	
JRC 7/3/05	
DRAWN: Jim Brown	
SCALE: AS SHOWN	
DATE: 12/17/04	
JOB #	
3498	
SHT 11 OF 11	