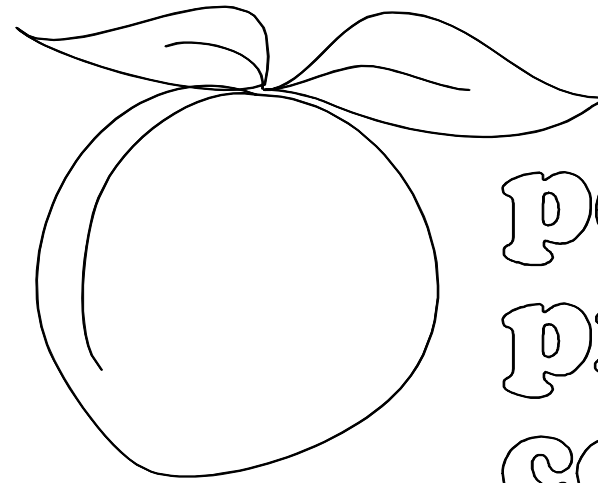


JOB # 3456



peachtree
protective
covers

CARVER HIGH SCHOOL

ATLANTA, GA

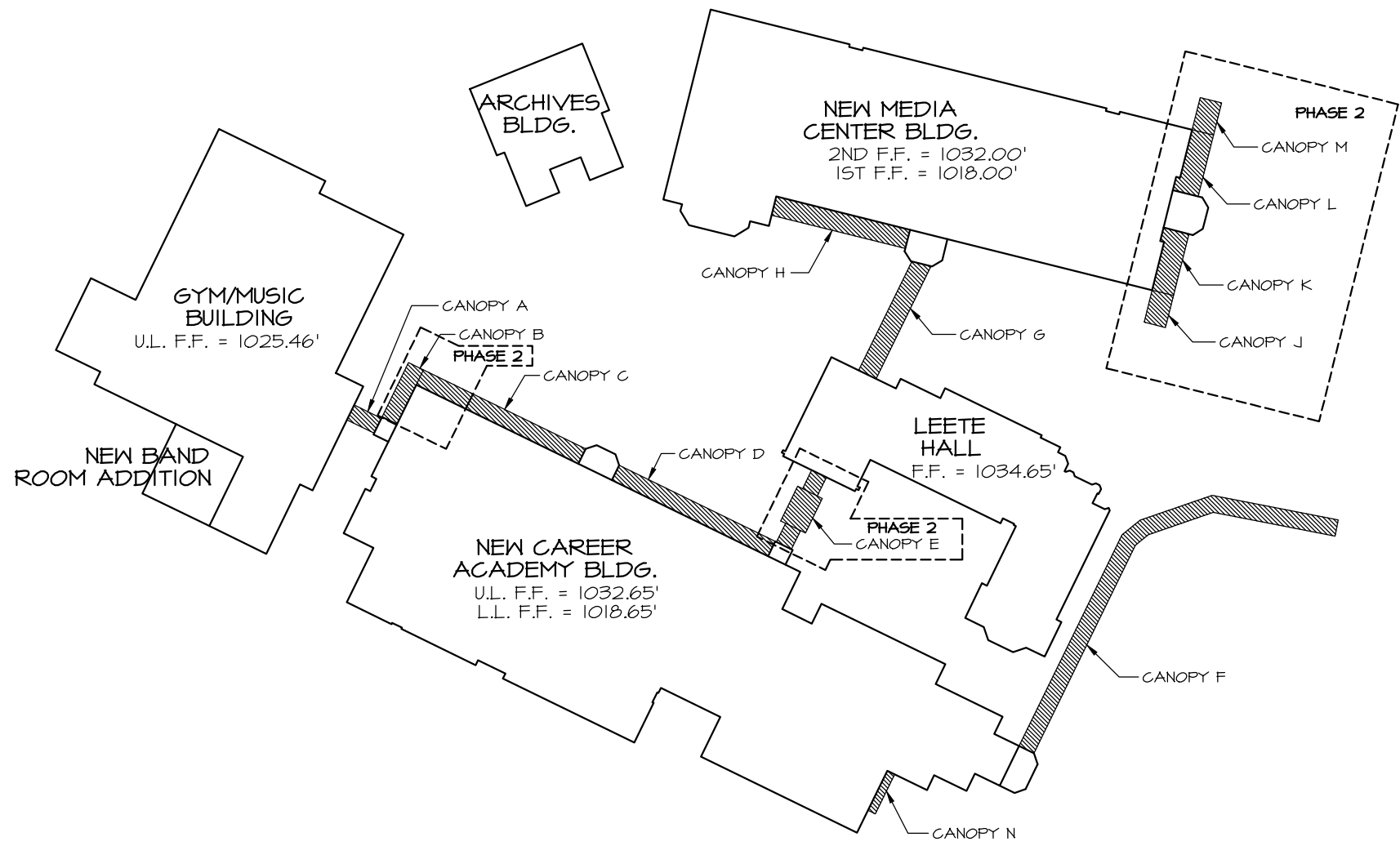
BY

SIZEMORE ALLAIN- A JOINT VENTURE

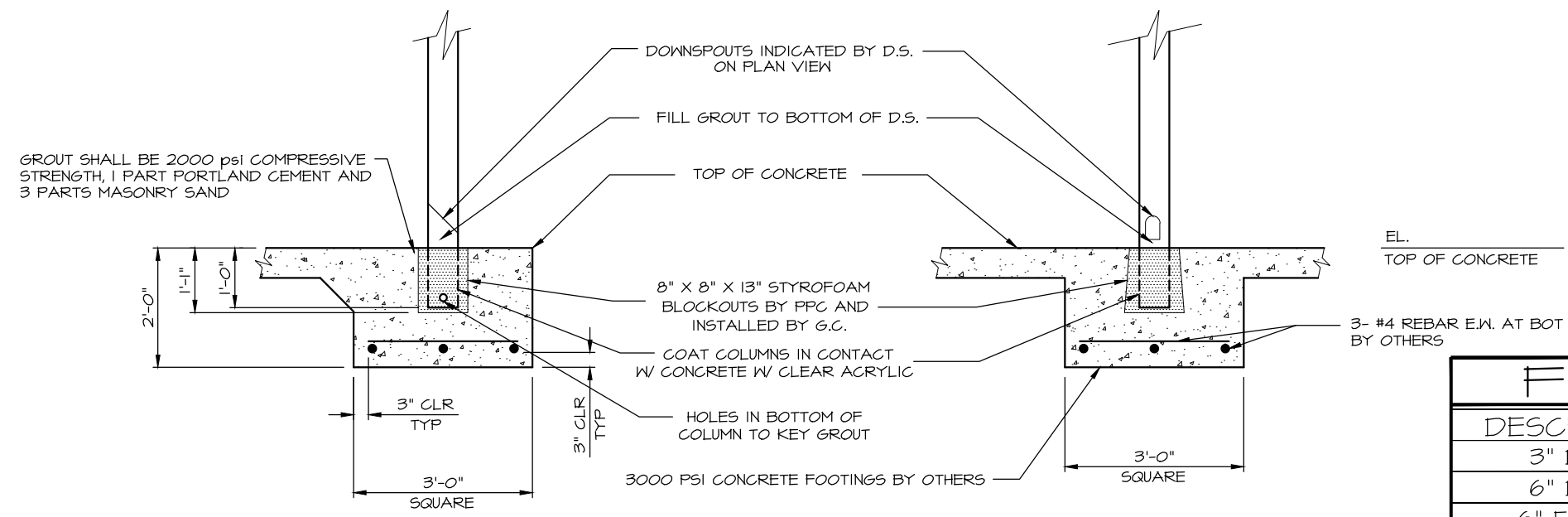
MAY 19, 2005

NOTE:
PEACHTREE PROTECTIVE COVERS RESERVES
THE RIGHT TO INSTALL MECHANICAL JOINTS
IN COLUMNS THAT EXCEED SHIPPING LIMITATIONS.

1477 ROSEDALE DRIVE
HIRAM, GA 30141
(770) 439-2120
fax (770) 439-2122

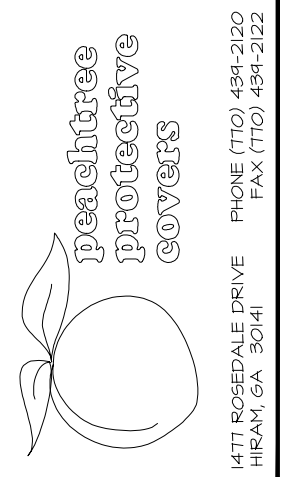


KEY PLAN
N.T.S.



(A) FOOTING DETAIL

FINISH SCHEDULE		
DESCRIPTION	FINISH	COLOR
3" DECK	KYNAR, 2 COAT	BONE WHITE
6" DECK	KYNAR, 2 COAT	BONE WHITE
6" FASCIA	KYNAR, 2 COAT	BONE WHITE
4"x4" COLUMN	KYNAR, 2 COAT	BONE WHITE
6"x6" COLUMN	KYNAR, 2 COAT	BONE WHITE
6"x4" BEAM	KYNAR, 2 COAT	BONE WHITE
6"x6" BEAM	KYNAR, 2 COAT	BONE WHITE

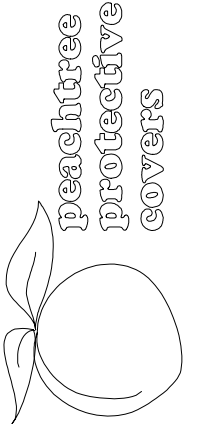


1477 ROSEDALE DRIVE
HIRAM, GA 30141
PHONE (770) 439-2120
FAX (770) 439-2122

JOB NAME: CARVER HIGH SCHOOL
LOCATION: ATLANTA, GA
ARCHITECT: SIZEMORE ALLAIN- A JOINT VENTURE
CONTRACTOR: SKANSKA USA BUILDING, INC.

REVISIONS	
3/1/05 RW	
3/23/05 TLW	

DRAWN: LISA
SCALE: AS SHOWN
DATE: 11/15/04
JOB #
3456
SHT 1 OF 26



peachtree protective covers
 1477 ROSEDALE DRIVE HIRAM, GA 30141
 PHONE (770) 439-2120 FAX (770) 439-2122

JOB NAME: CARVER HIGH SCHOOL
 LOCATION: ATLANTA, GA
 ARCHITECT: SIZEMORE ALLAIN- A JOINT VENTURE
 CONTRACTOR: SKANSKA USA BUILDING, INC.

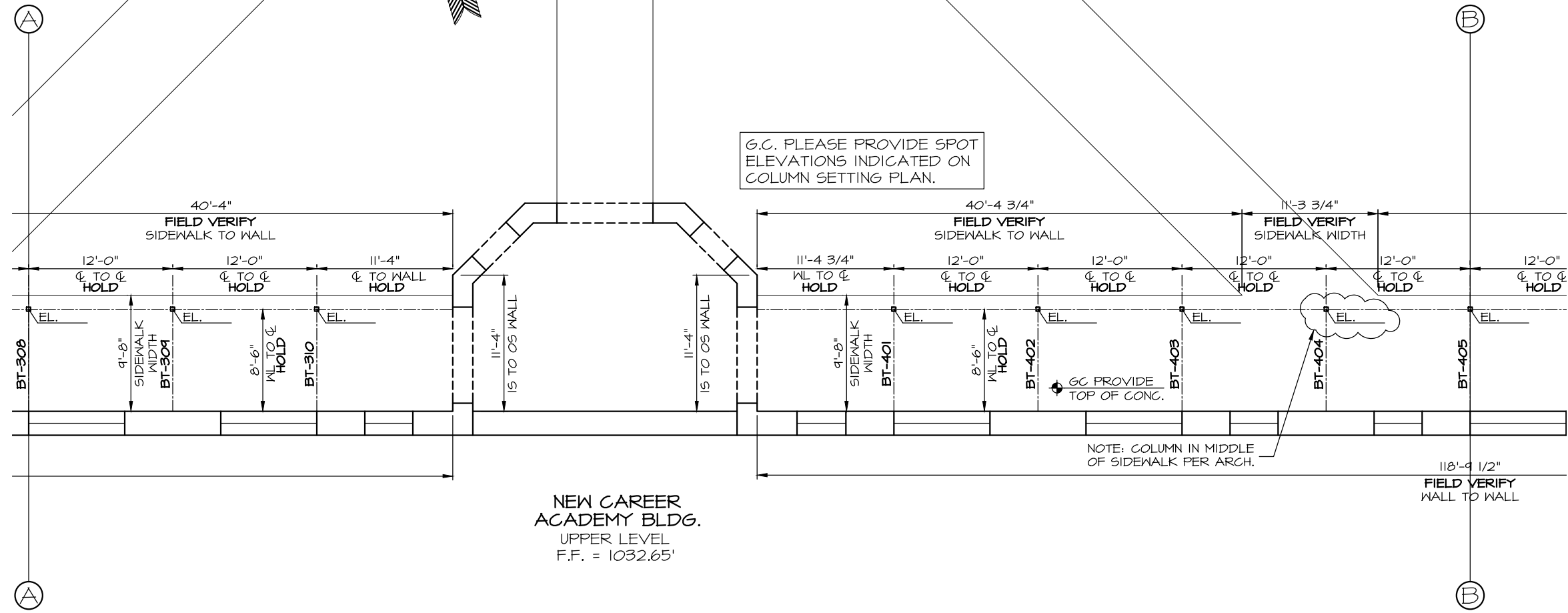
REVISIONS	
3-14-05 TLW	

DRAWN: LISA
 SCALE: AS SHOWN
 DATE: 11/15/04

JOB #
 3456
 SHT 3 OF 26

MATCH LINE SHEET 3456-2

MATCH LINE SHEET 3456-4

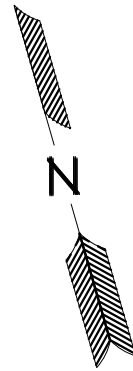
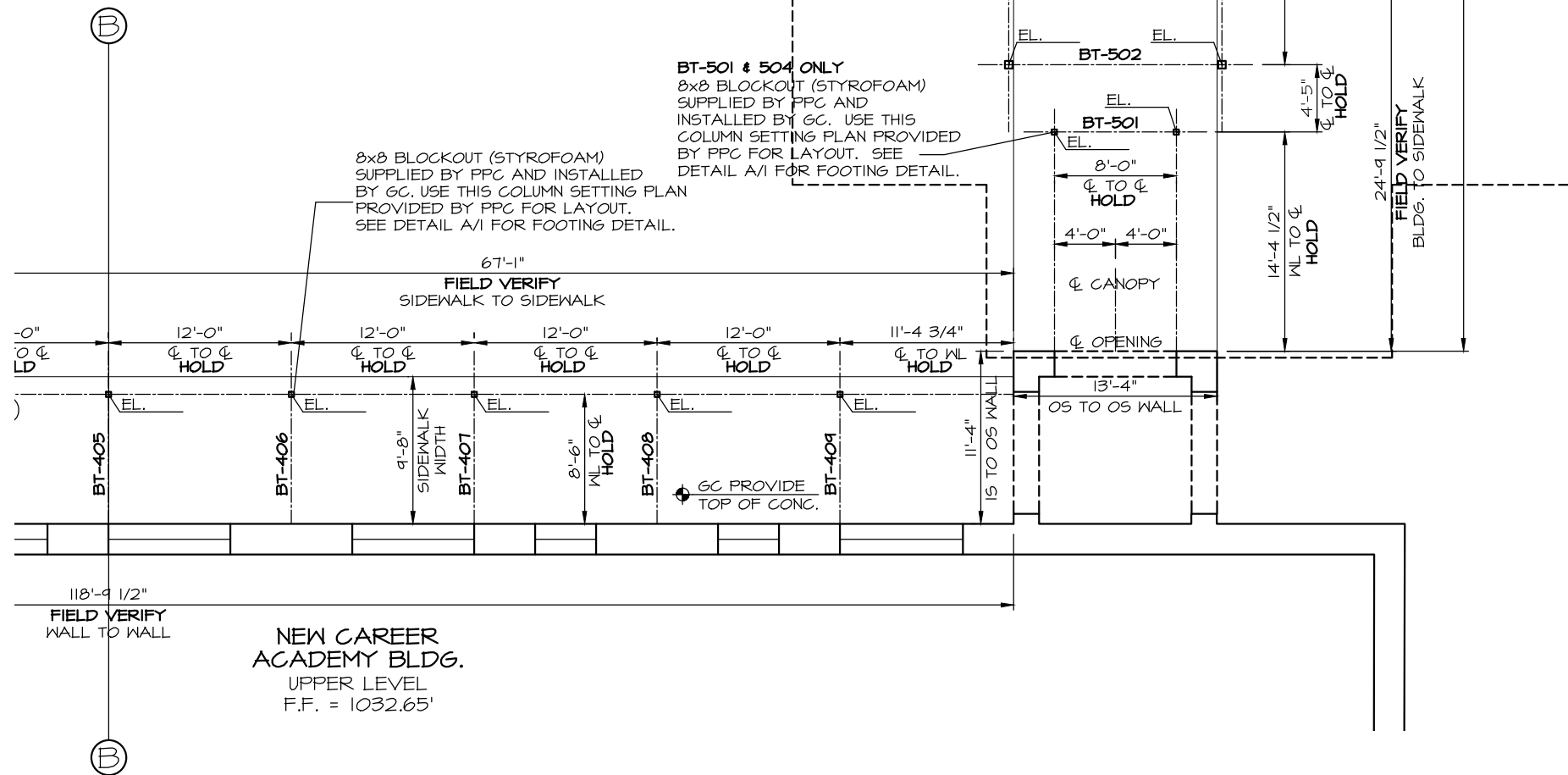


G.C. PLEASE PROVIDE SPOT ELEVATIONS INDICATED ON COLUMN SETTING PLAN.

NEW CAREER ACADEMY BLDG.
 UPPER LEVEL
 F.F. = 1032.65'

COLUMN SETTING PLAN
 SCALE: 3/32"=1'-0" CANOPIES C & D

MATCH LINE
SHEET 3456-3



G.C. PLEASE PROVIDE SPOT ELEVATIONS INDICATED ON COLUMN SETTING PLAN.

BT-502 & 503 ONLY
10x10 BLOCKOUT (STYROFOAM) SUPPLIED BY PPC AND INSTALLED BY GC. USE THIS COLUMN SETTING PLAN PROVIDED BY PPC FOR LAYOUT. SEE DETAIL A/1 FOR FOOTING DETAIL.

BT-501 & 504 ONLY
8x8 BLOCKOUT (STYROFOAM) SUPPLIED BY PPC AND INSTALLED BY GC. USE THIS COLUMN SETTING PLAN PROVIDED BY PPC FOR LAYOUT. SEE DETAIL A/1 FOR FOOTING DETAIL.

8x8 BLOCKOUT (STYROFOAM) SUPPLIED BY PPC AND INSTALLED BY GC. USE THIS COLUMN SETTING PLAN PROVIDED BY PPC FOR LAYOUT. SEE DETAIL A/1 FOR FOOTING DETAIL.

GC PROVIDE TOP OF CONC.

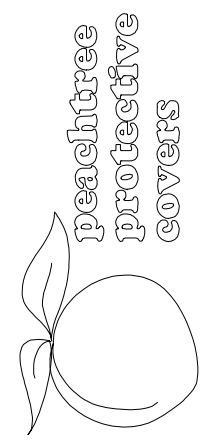
LEETE HALL
F.F. = 1034.65'

PHASE 2

118'-9 1/2"
FIELD VERIFY WALL TO WALL

NEW CAREER ACADEMY BLDG.
UPPER LEVEL
F.F. = 1032.65'

COLUMN SETTING PLAN
SCALE: 3/32"=1'-0" CANOPIES D & E



1477 ROSEDALE DRIVE HIRAM, GA 30141
PHONE (770) 439-2120 FAX (770) 439-2122

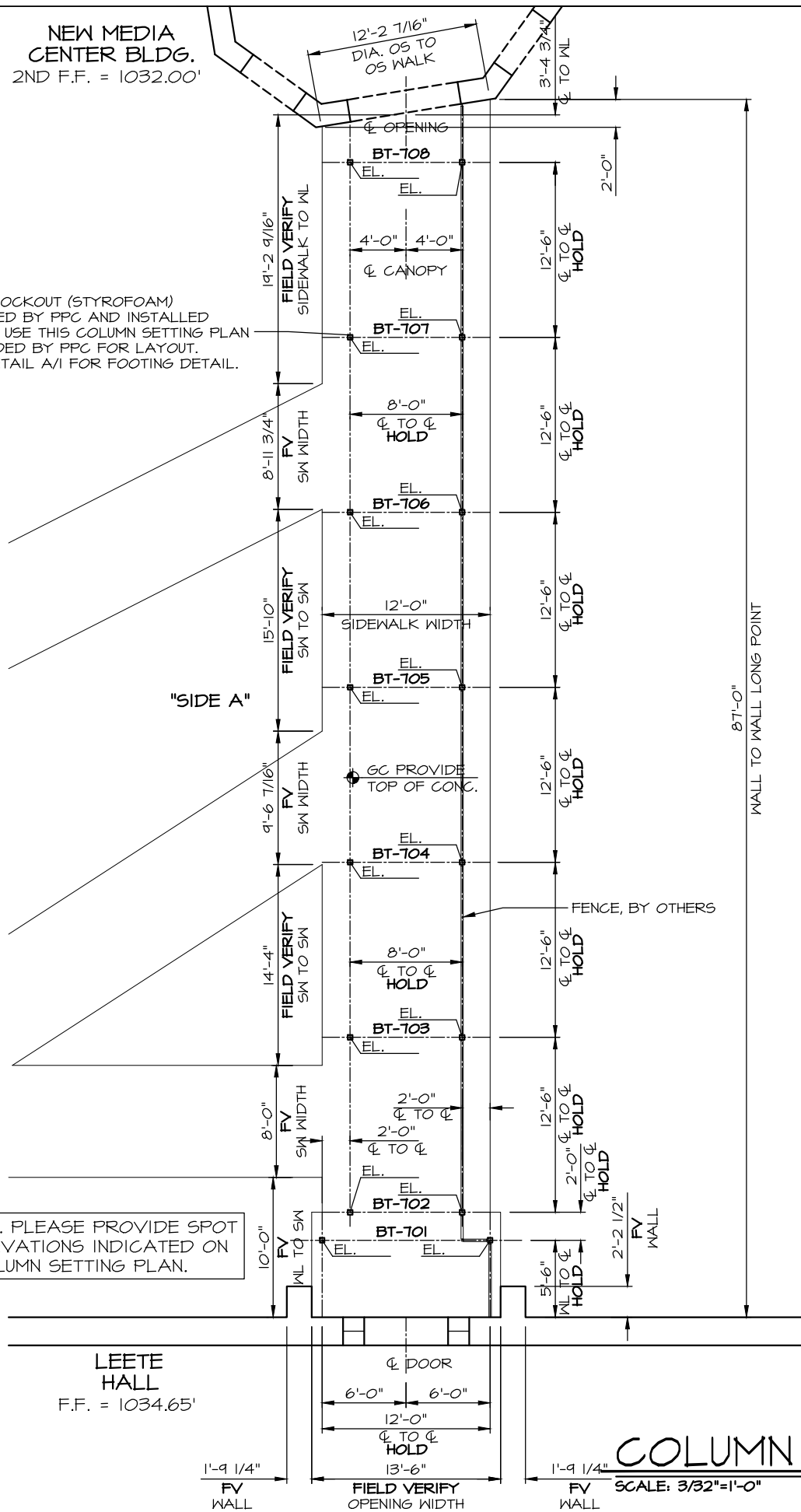
JOB NAME: CARVER HIGH SCHOOL
LOCATION: ATLANTA, GA
ARCHITECT: SIZEMORE ALLAIN- A JOINT VENTURE
CONTRACTOR: SKANSKA USA BUILDING, INC.

REVISIONS	
3-14-05	TLW

DRAWN: LISA
SCALE: AS SHOWN
DATE: 11/15/04
JOB #
3456
SHT 4 OF 26

NEW MEDIA CENTER BLDG.
2ND F.F. = 1032.00'

8x8 BLOCKOUT (STYROFOAM) SUPPLIED BY PPC AND INSTALLED BY GC. USE THIS COLUMN SETTING PLAN PROVIDED BY PPC FOR LAYOUT. SEE DETAIL A/1 FOR FOOTING DETAIL.

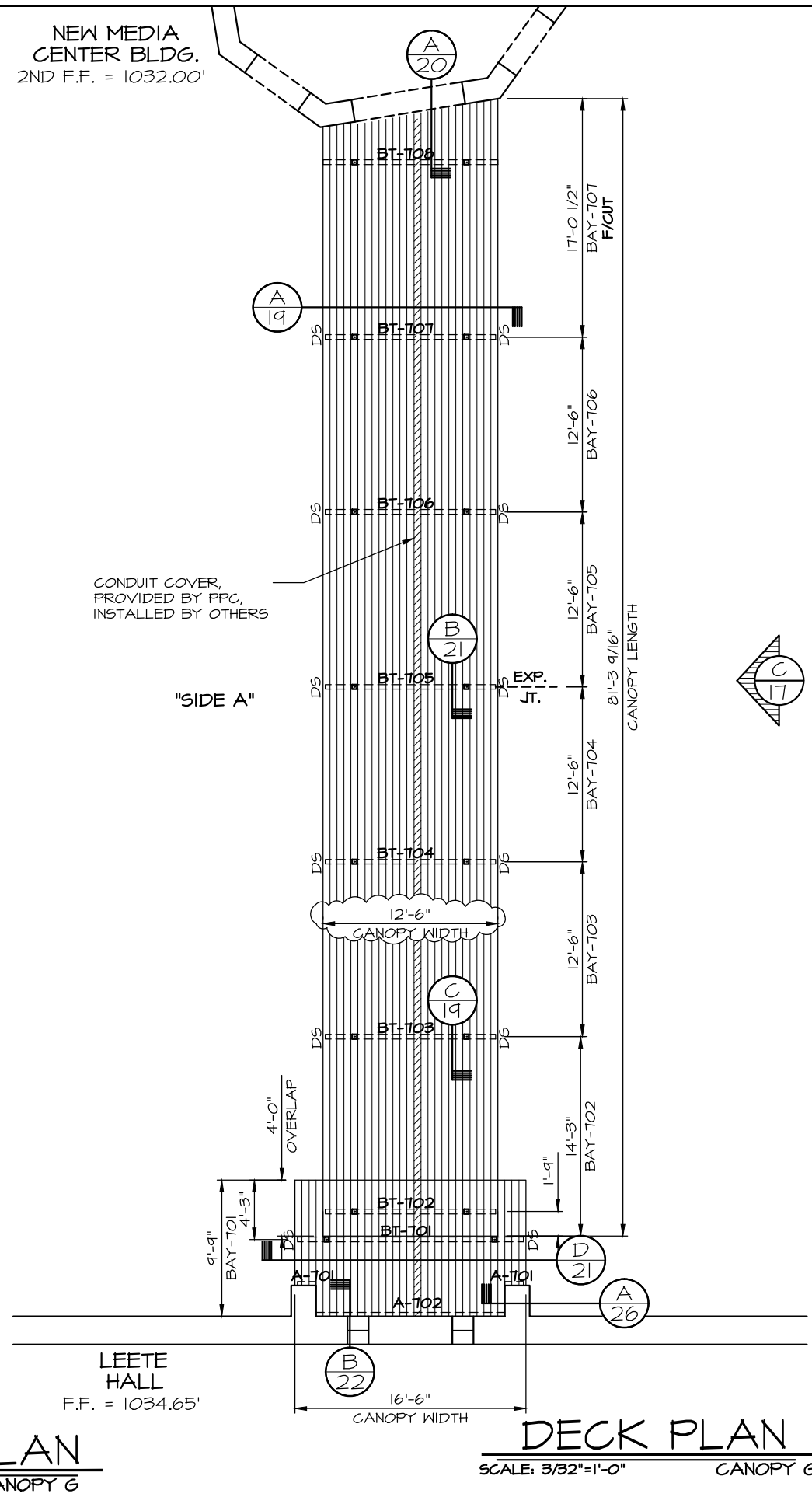


COLUMN SETTING PLAN
SCALE: 3/32"=1'-0"
CANOPY G

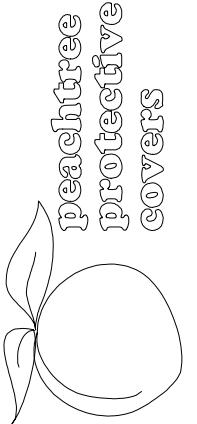


NEW MEDIA CENTER BLDG.
2ND F.F. = 1032.00'

CONDUIT COVER, PROVIDED BY PPC, INSTALLED BY OTHERS



DECK PLAN
SCALE: 3/32"=1'-0"
CANOPY G



1477 ROSEDALE DRIVE HIRAM, GA 30141
PHONE (770) 439-2120
FAX (770) 439-2122

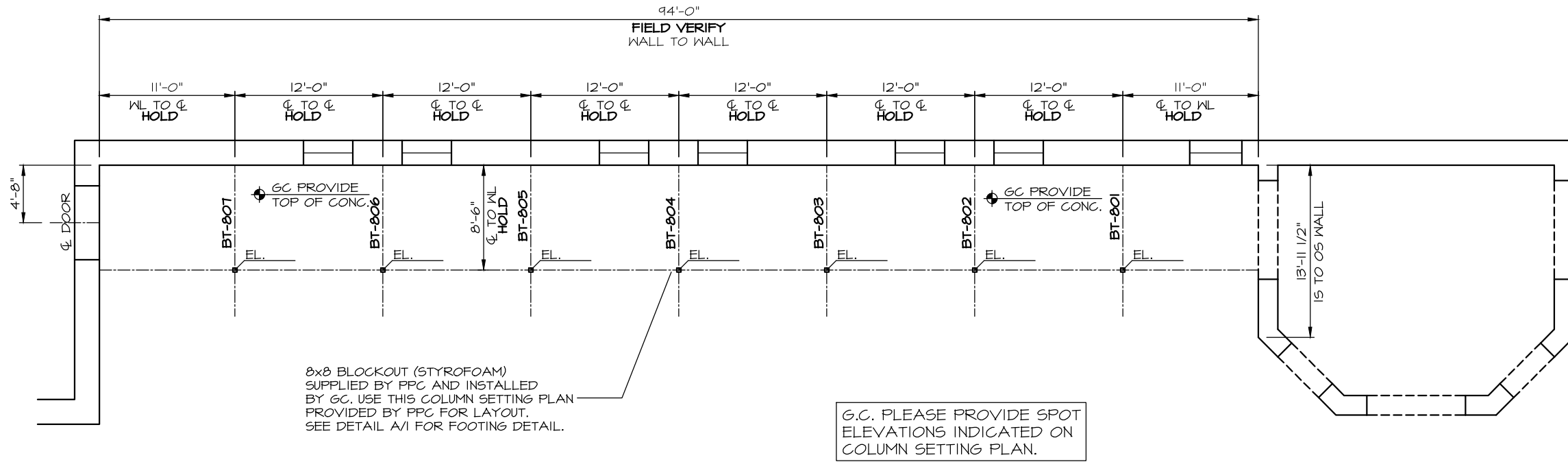
JOB NAME: CARVER HIGH SCHOOL
LOCATION: ATLANTA, GA
ARCHITECT: SIZEMORE ALLAIN- A JOINT VENTURE
CONTRACTOR: SKANSKA USA BUILDING, INC.

REVISIONS	
3-15-05	TLW

DRAWN: LISA
SCALE: AS SHOWN
DATE: 11/15/04

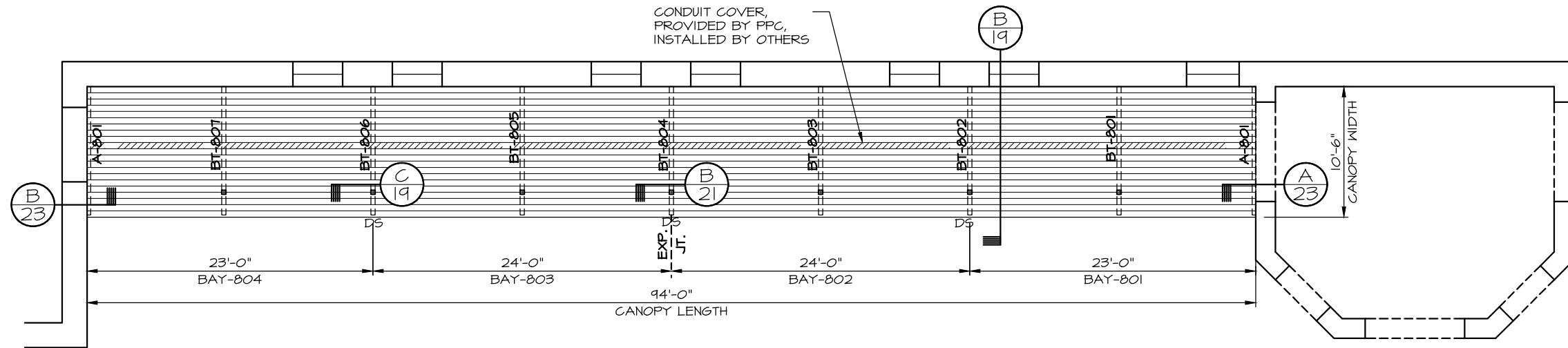
JOB #
3456
SHT 7 OF 26

NEW MEDIA
CENTER BLDG.
2ND F.F. = 1032.00'

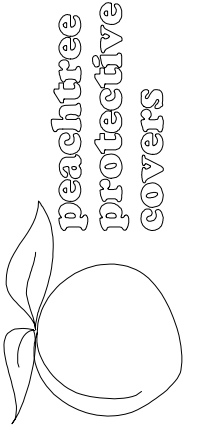


COLUMN SETTING PLAN
SCALE: 3/32"=1'-0" CANOPY H

NEW MEDIA
CENTER BLDG.
2ND F.F. = 1032.00'



DECK PLAN
SCALE: 3/32"=1'-0" CANOPY H



1477 ROSEDALE DRIVE HIRAM, GA 30141
PHONE (770) 439-2120
FAX (770) 439-2122

JOB NAME: CARVER HIGH SCHOOL
LOCATION: ATLANTA, GA
ARCHITECT: SIZEMORE ALLAIN- A JOINT VENTURE
CONTRACTOR: SKANSKA USA BUILDING, INC.

REVISIONS

3-15-05 TLW

DRAWN: LISA

SCALE: AS SHOWN

DATE: 11/15/04

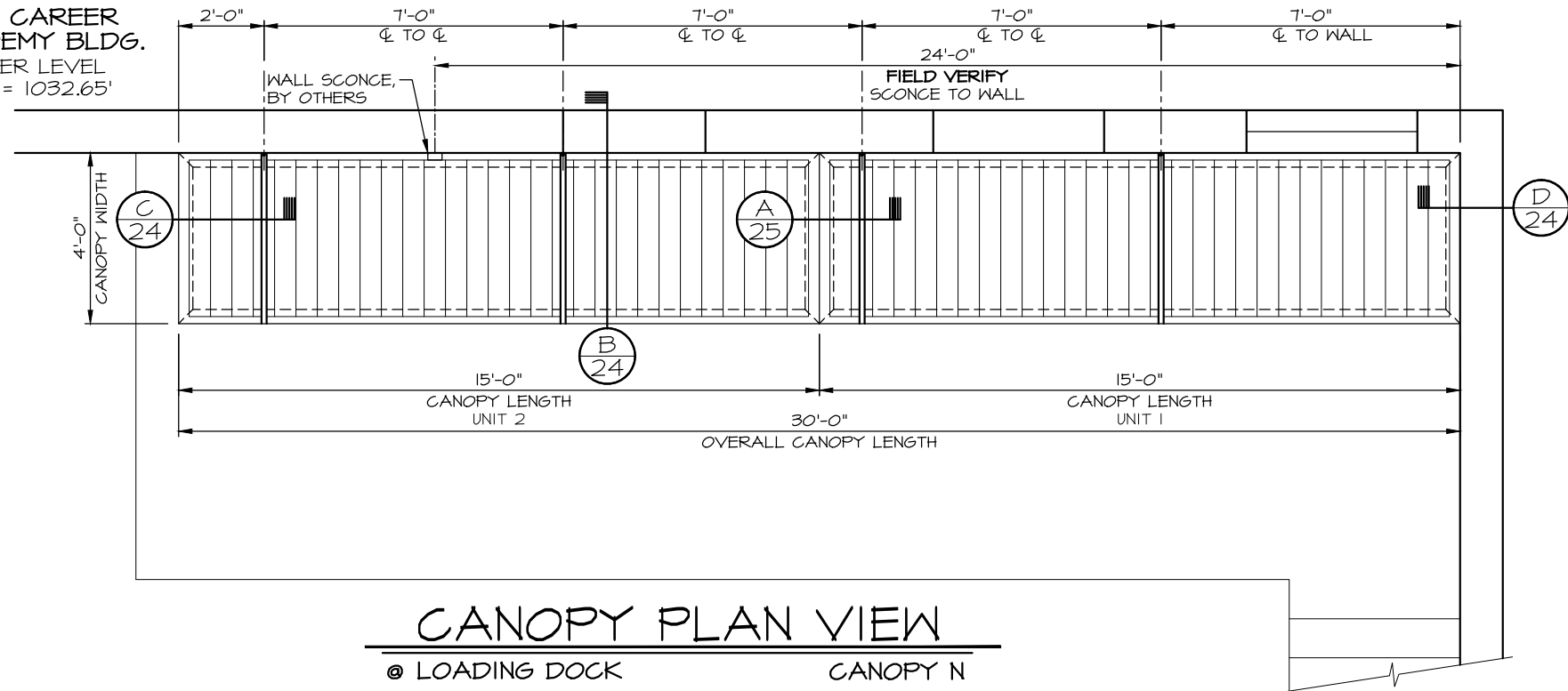
JOB #

3456

SHT 8 OF 26

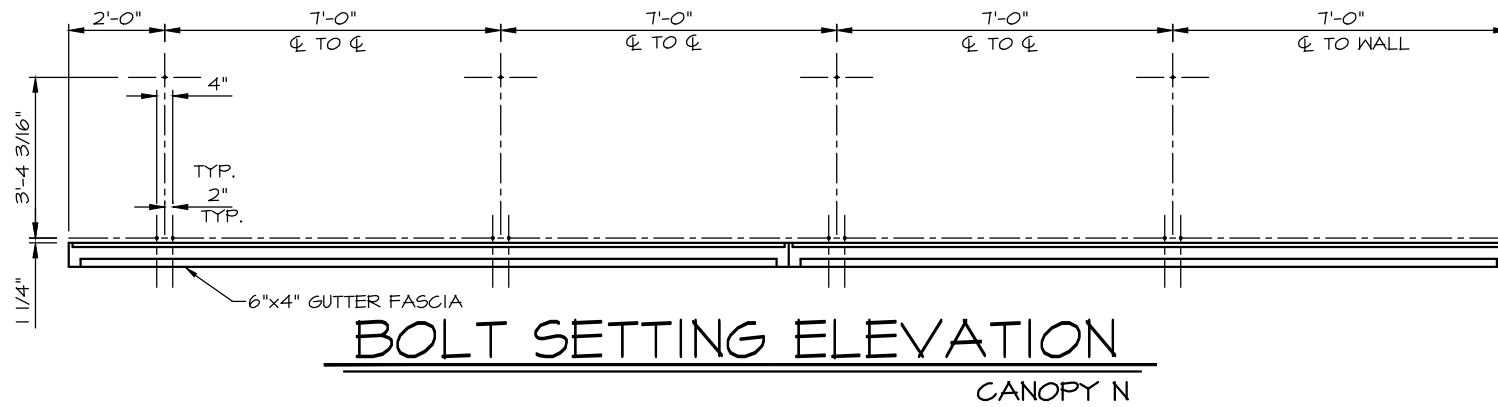


NEW CAREER
ACADEMY BLDG.
UPPER LEVEL
F.F. = 1032.65'



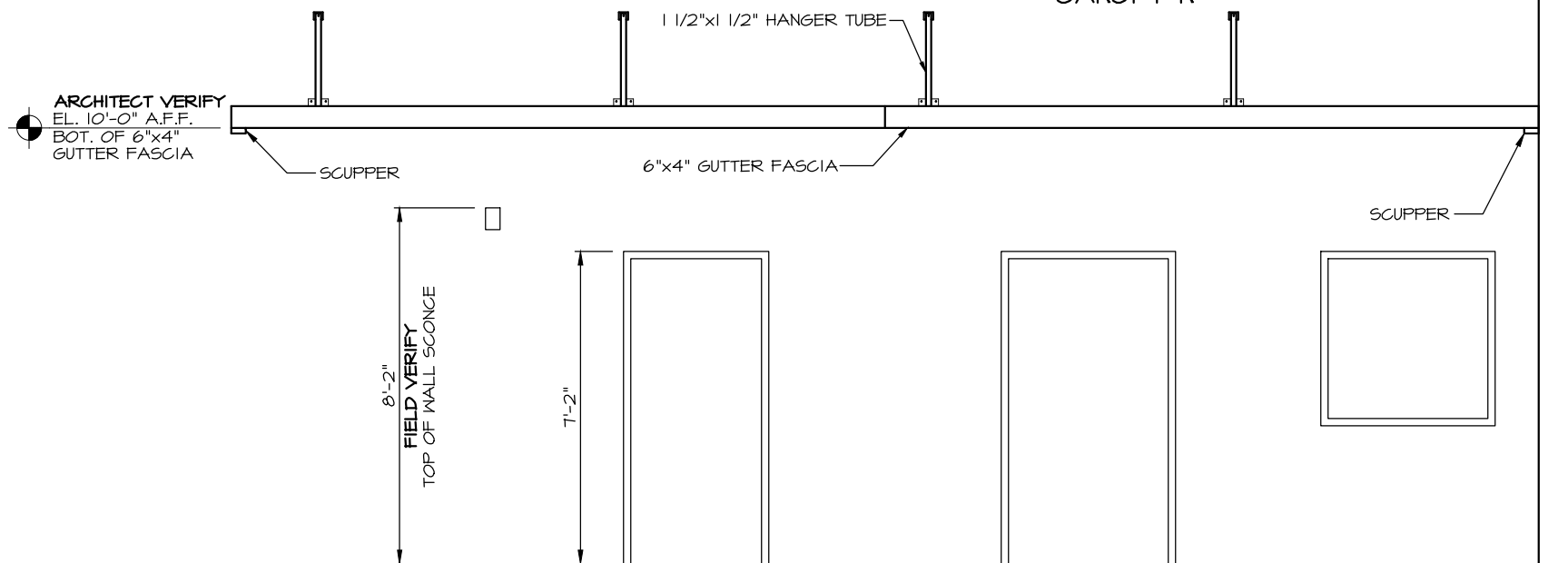
CANOPY PLAN VIEW

© LOADING DOCK CANOPY N



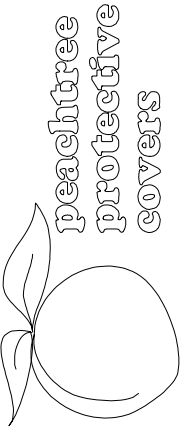
BOLT SETTING ELEVATION

CANOPY N



ELEVATION

CANOPY N



1477 ROSEDALE DRIVE HIRAM, GA 30141
PHONE (770) 439-2120 FAX (770) 439-2122

JOB NAME: CARVER HIGH SCHOOL

LOCATION: ATLANTA, GA

ARCHITECT: SIZEMORE ALLAIN- A JOINT VENTURE

CONTRACTOR: SKANSKA USA BUILDING, INC.

REVISIONS

TLW 2/19/05

DRAWN: LISA

SCALE: AS SHOWN

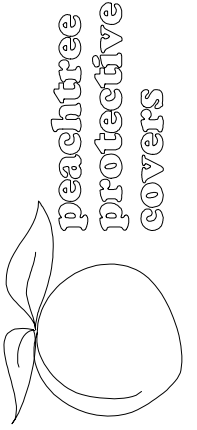
DATE: 11/15/04

JOB #

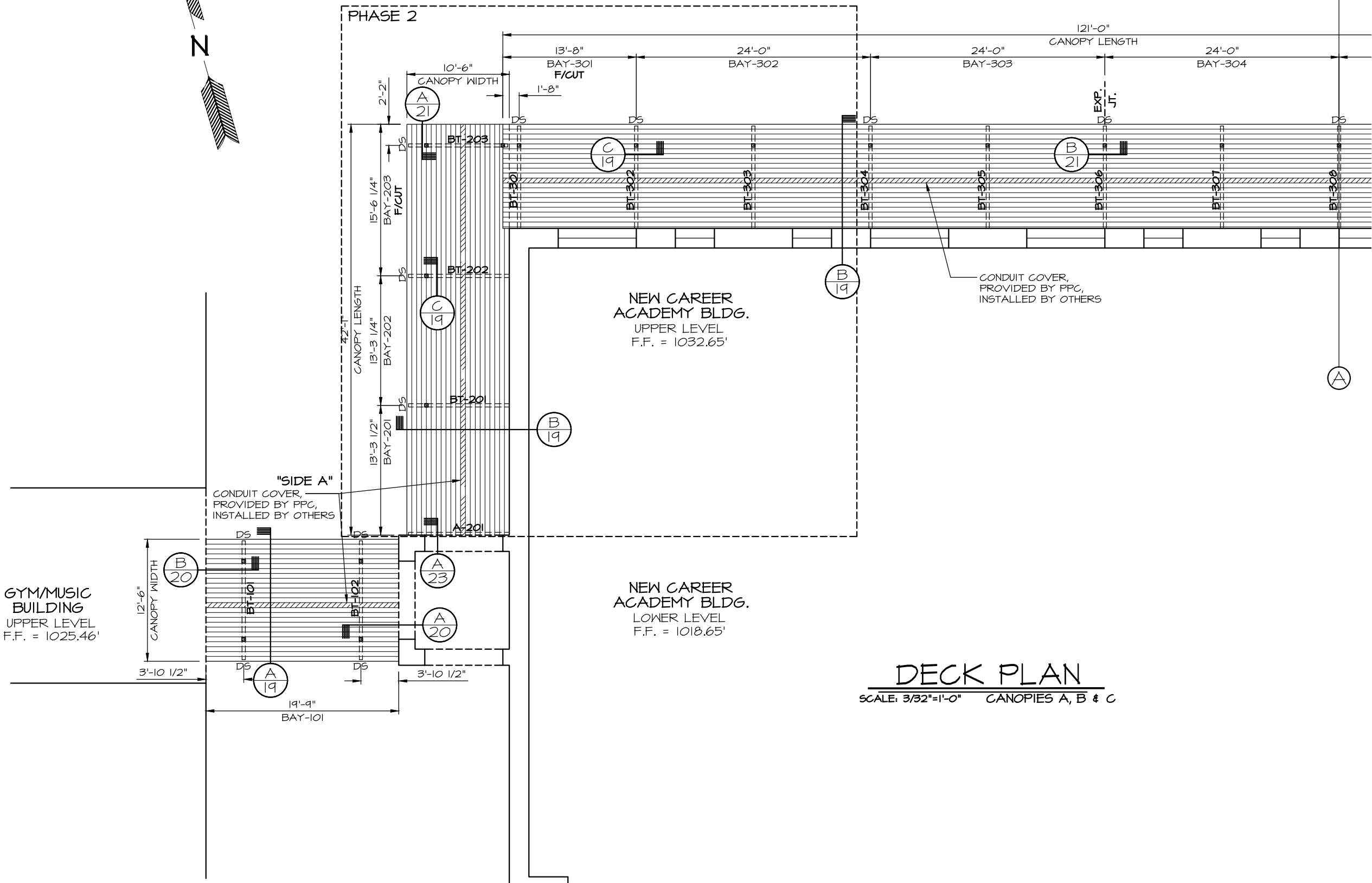
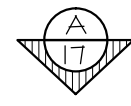
3456

SHT 10 OF 26

MATCH LINE
SHEET 3456-12



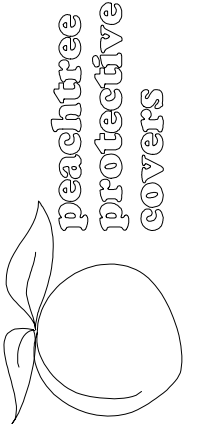
1477 ROSEDALE DRIVE HIRAM, GA 30141
PHONE (770) 439-2120
FAX (770) 439-2122



DECK PLAN
SCALE: 3/32"=1'-0" CANOPIES A, B & C

JOB NAME: CARVER HIGH SCHOOL
LOCATION: ATLANTA, GA
ARCHITECT: SIZEMORE ALLAIN- A JOINT VENTURE
CONTRACTOR: SKANSKA USA BUILDING, INC.

REVISIONS	
3-15-05 TLW	
3-23-05 TLW	
DRAWN: LISA	
SCALE: AS SHOWN	
DATE: 11/15/04	
JOB #	
3456	
SHT 11 OF 26	



1477 ROSEDALE DRIVE HIRAM, GA 30141
 PHONE (770) 439-2120
 FAX (770) 439-2122

JOB NAME: CARVER HIGH SCHOOL
 LOCATION: ATLANTA, GA
 ARCHITECT: SIZEMORE ALLAIN- A JOINT VENTURE
 CONTRACTOR: SKANSKA USA BUILDING, INC.

REVISIONS	
3-15-05	TLN

DRAWN: LISA

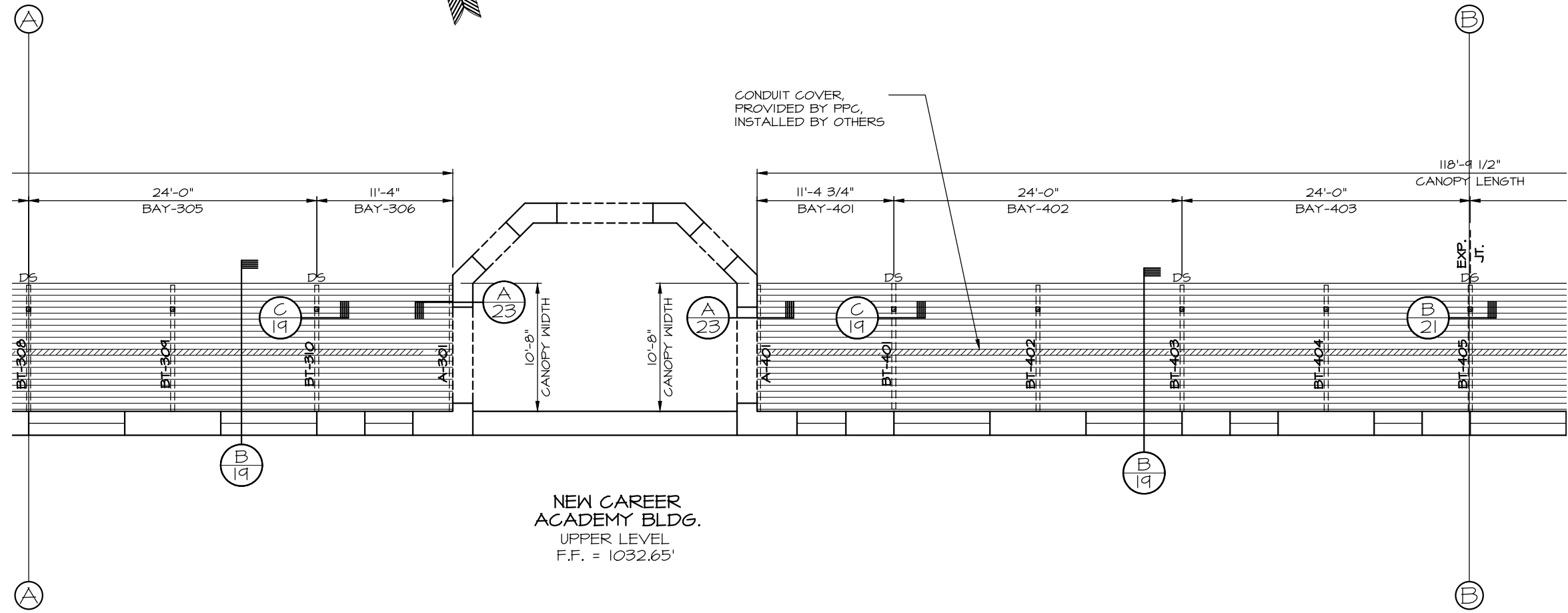
SCALE: AS SHOWN

DATE: 11/15/04

JOB #
 3456
 SHT 12 OF 26

MATCH LINE SHEET 3456-11

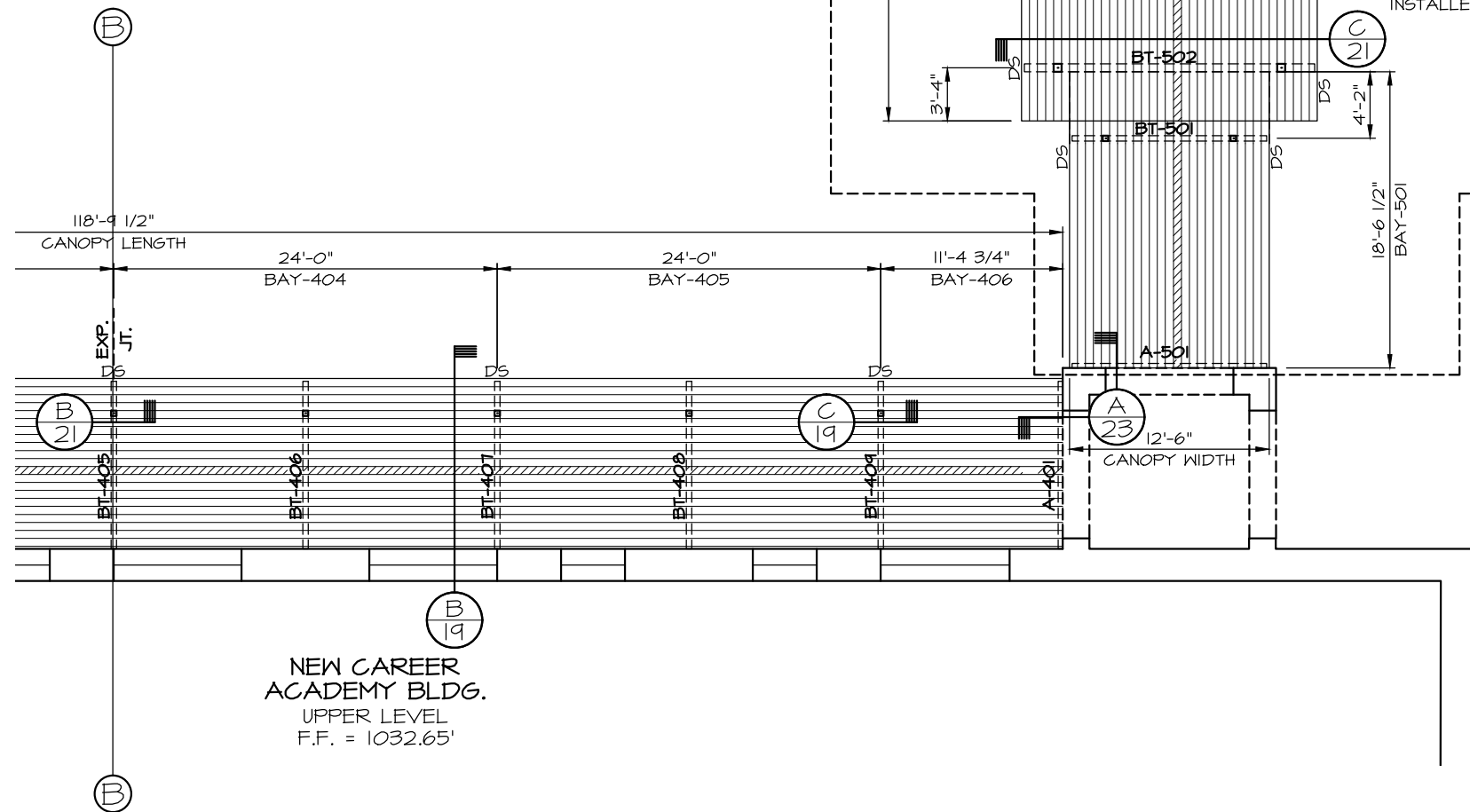
MATCH LINE SHEET 3456-13



NEW CAREER ACADEMY BLDG.
 UPPER LEVEL
 F.F. = 1032.65'

DECK PLAN
 SCALE: 3/32"=1'-0" CANOPIES C & D

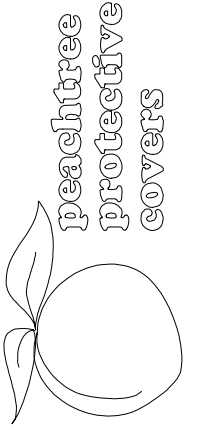
MATCH LINE
SHEET 3456-12



NEW CAREER
ACADEMY BLDG.
UPPER LEVEL
F.F. = 1032.65'

DECK PLAN

SCALE: 3/32"=1'-0" CANOPIES D & E



1477 ROSEDALE DRIVE HIRAM, GA 30141
PHONE (770) 439-2120
FAX (770) 439-2122

JOB NAME: CARVER HIGH SCHOOL

LOCATION: ATLANTA, GA

ARCHITECT: SIZEMORE ALLAIN- A JOINT VENTURE

CONTRACTOR: SKANSKA USA BUILDING, INC.

REVISIONS

3-15-05 TLW	
3-23-05 TLW	

DRAWN: LISA

SCALE: AS SHOWN

DATE: 11/15/04

JOB #

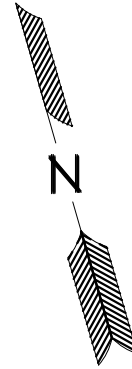
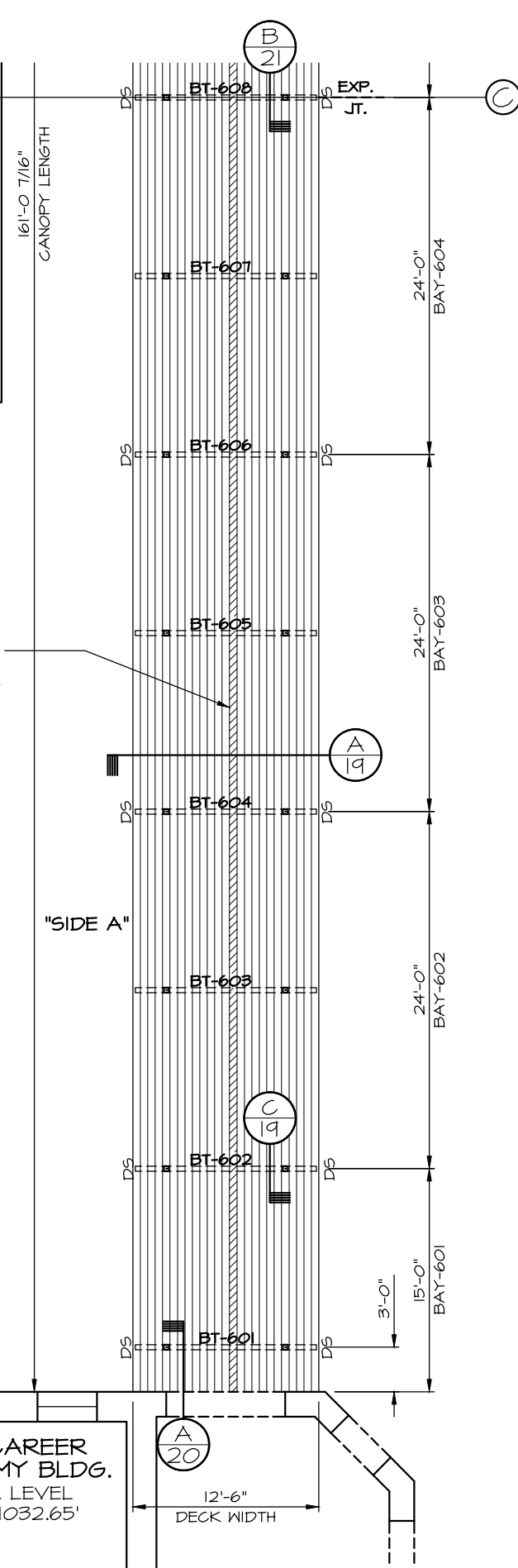
3456

SHT 13 OF 26

MATCH LINE
THIS SHEET

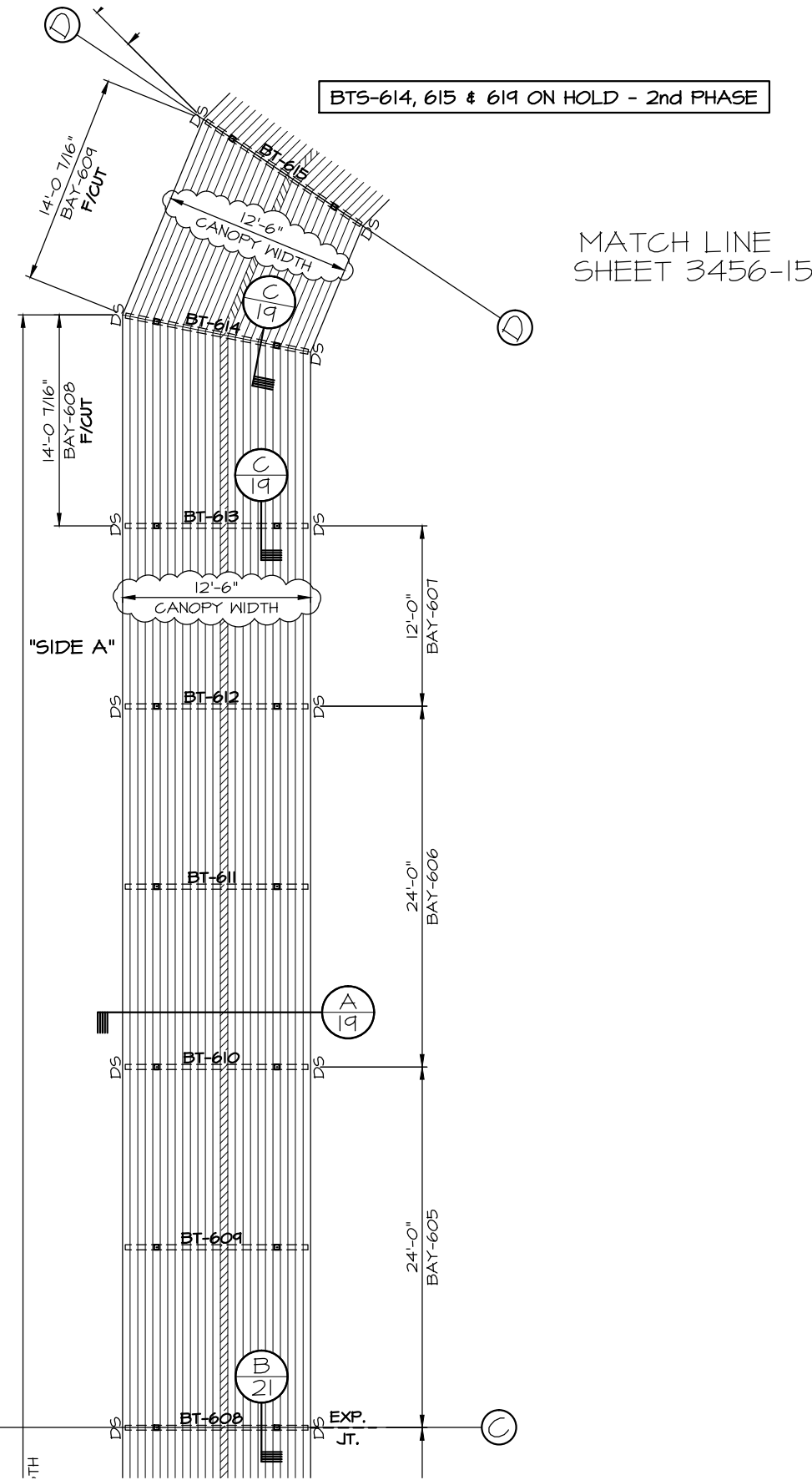
LEETE
HALL
F.F. = 1034.65'

CONDUIT COVER,
PROVIDED BY PPC,
INSTALLED BY OTHERS



LEETE
HALL
F.F. = 1034.65'

MATCH LINE
THIS SHEET

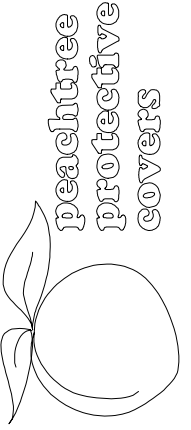


BTS-614, 615 & 619 ON HOLD - 2nd PHASE

MATCH LINE
SHEET 3456-15

DECK PLAN

SCALE: 3/32"=1'-0" CANOPY F



1477 ROSEDALE DRIVE HIRAM, GA 30141
PHONE (770) 439-2120 FAX (770) 439-2122

JOB NAME: CARVER HIGH SCHOOL

LOCATION: ATLANTA, GA

ARCHITECT: SIZEMORE ALLAIN- A JOINT VENTURE

CONTRACTOR: SKANSKA USA BUILDING, INC.

REVISIONS

3-23-05 TLW

DRAWN: LISA

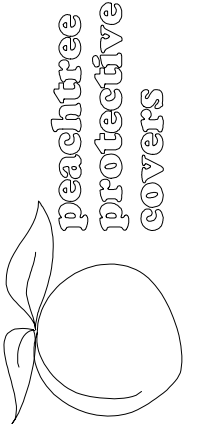
SCALE: AS SHOWN

DATE: 11/15/04

JOB #

3456

SHT 14 OF 26



1477 ROSEDALE DRIVE HIRAM, GA 30141
 PHONE (770) 439-2120
 FAX (770) 439-2122

JOB NAME: CARVER HIGH SCHOOL
 LOCATION: ATLANTA, GA
 ARCHITECT: SIZEMORE ALLAIN- A JOINT VENTURE
 CONTRACTOR: SKANSKA USA BUILDING, INC.

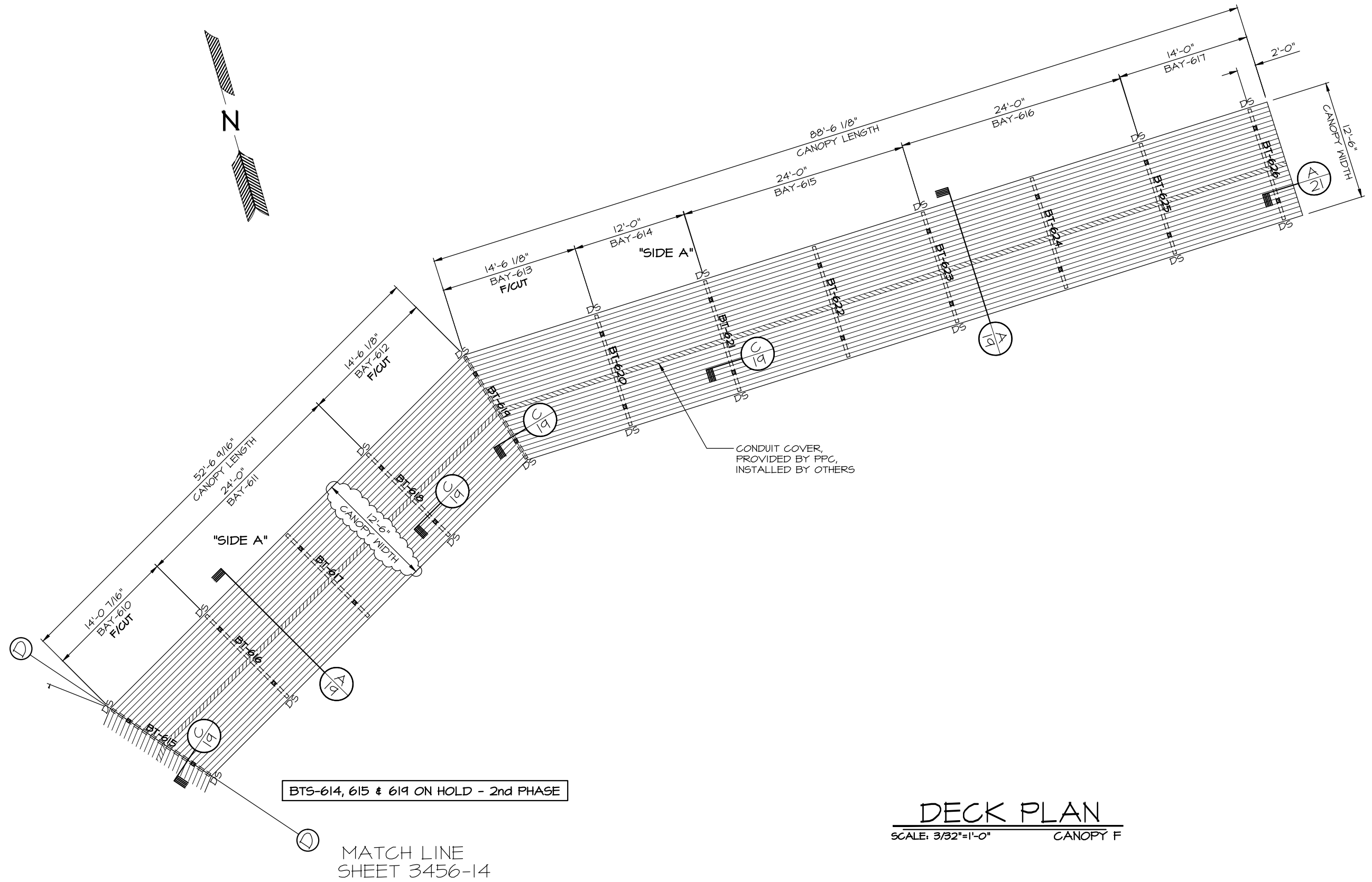
REVISIONS	
3-15-05 TLW	
3-23-05 TLW	

DRAWN: LISA

SCALE: AS SHOWN

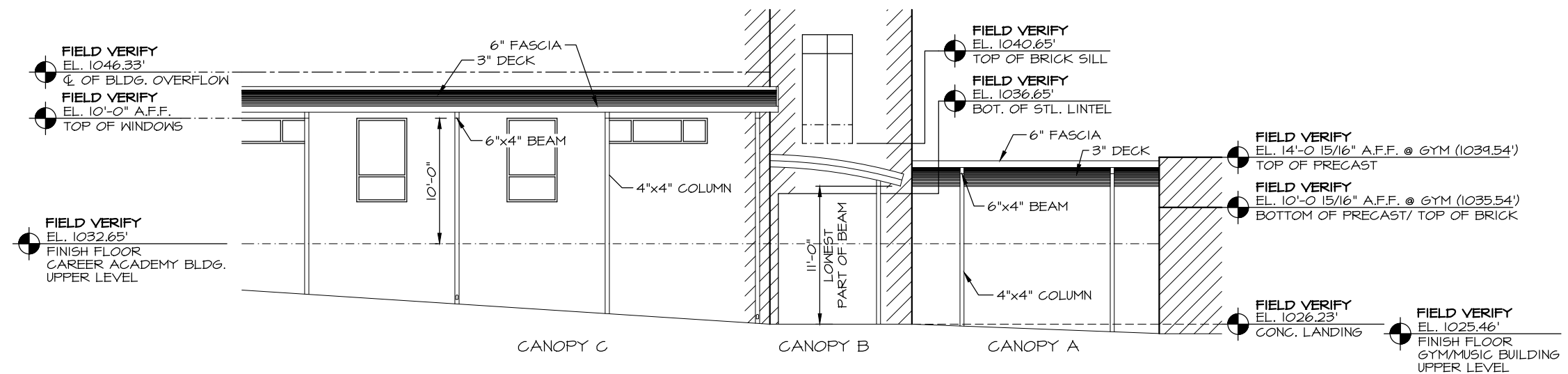
DATE: 11/15/04

JOB #
3456
 SHT 15 OF 26



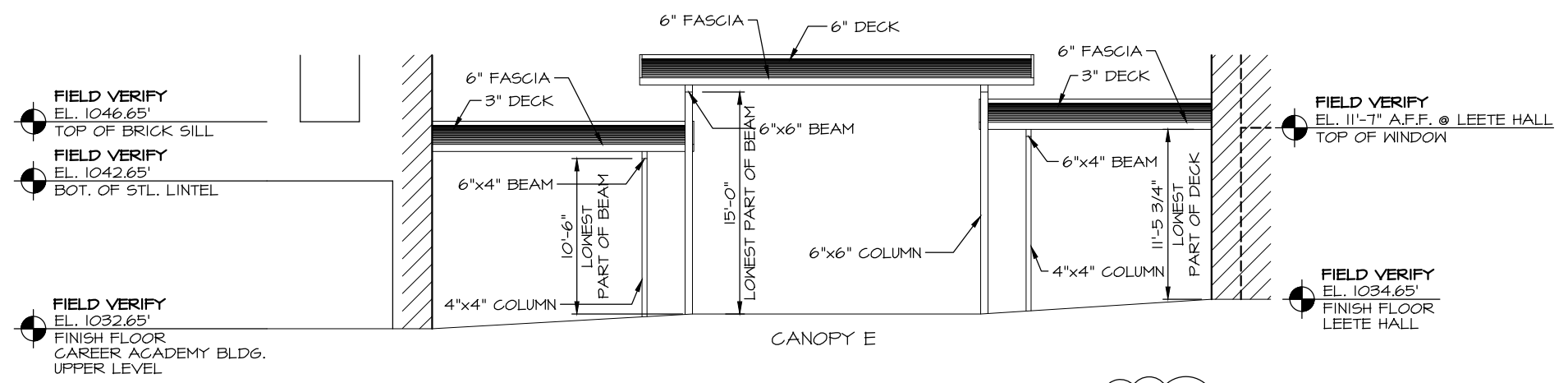
DECK PLAN

SCALE: 3/32"=1'-0" CANOPY F



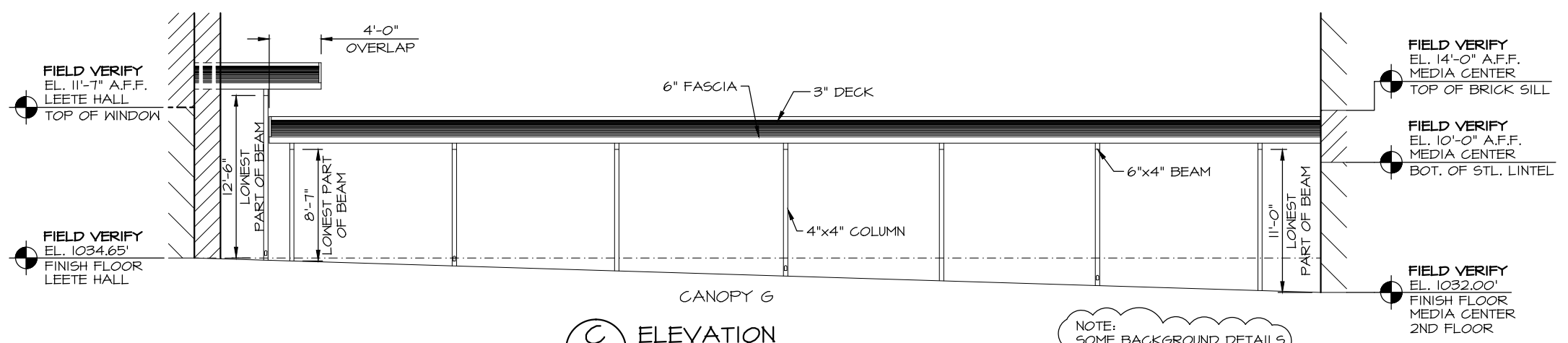
(A) ELEVATION
17

NOTE:
SOME BACKGROUND DETAILS
OMITTED FOR CLARITY.



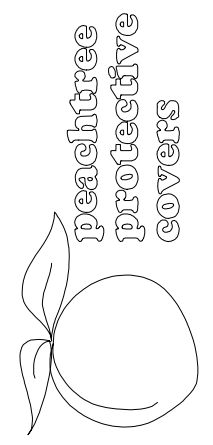
(B) ELEVATION
17

NOTE:
SOME BACKGROUND DETAILS
OMITTED FOR CLARITY.



(C) ELEVATION
17

NOTE:
SOME BACKGROUND DETAILS
OMITTED FOR CLARITY.



1477 ROSEDALE DRIVE HIRAM, GA 30141
PHONE (770) 439-2120
FAX (770) 439-2122

JOB NAME: CARVER HIGH SCHOOL
LOCATION: ATLANTA, GA
ARCHITECT: SIZEMORE ALLAIN- A JOINT VENTURE
CONTRACTOR: SKANSKA USA BUILDING, INC.

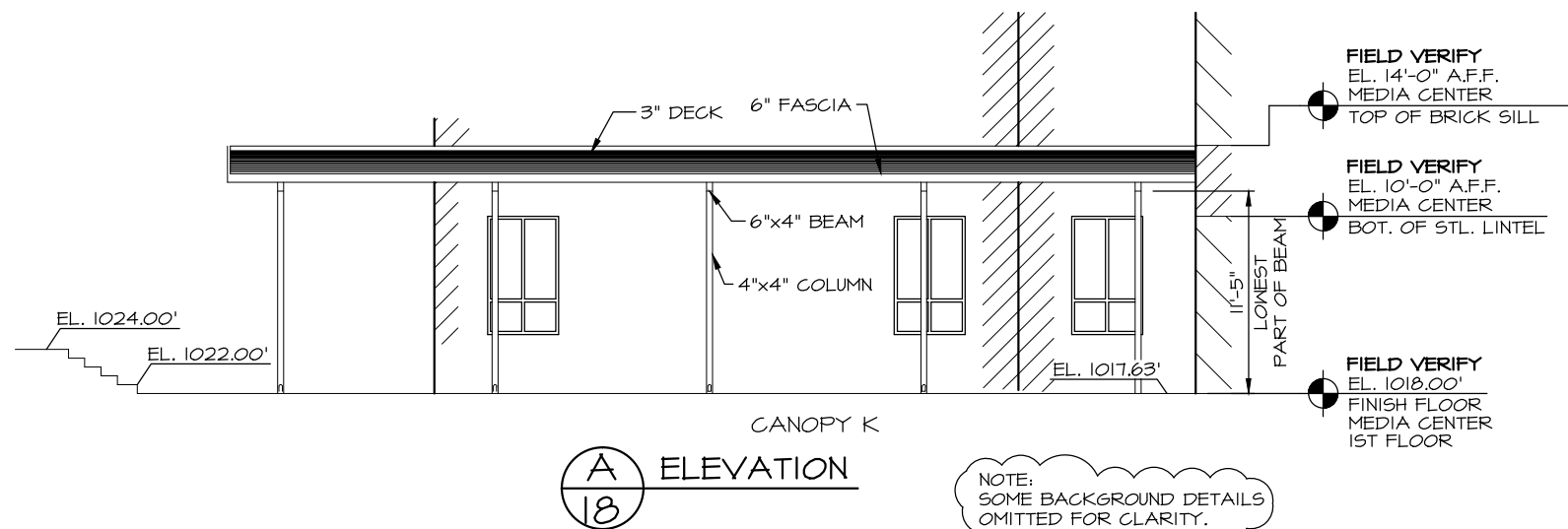
REVISIONS	

DRAWN: LISA

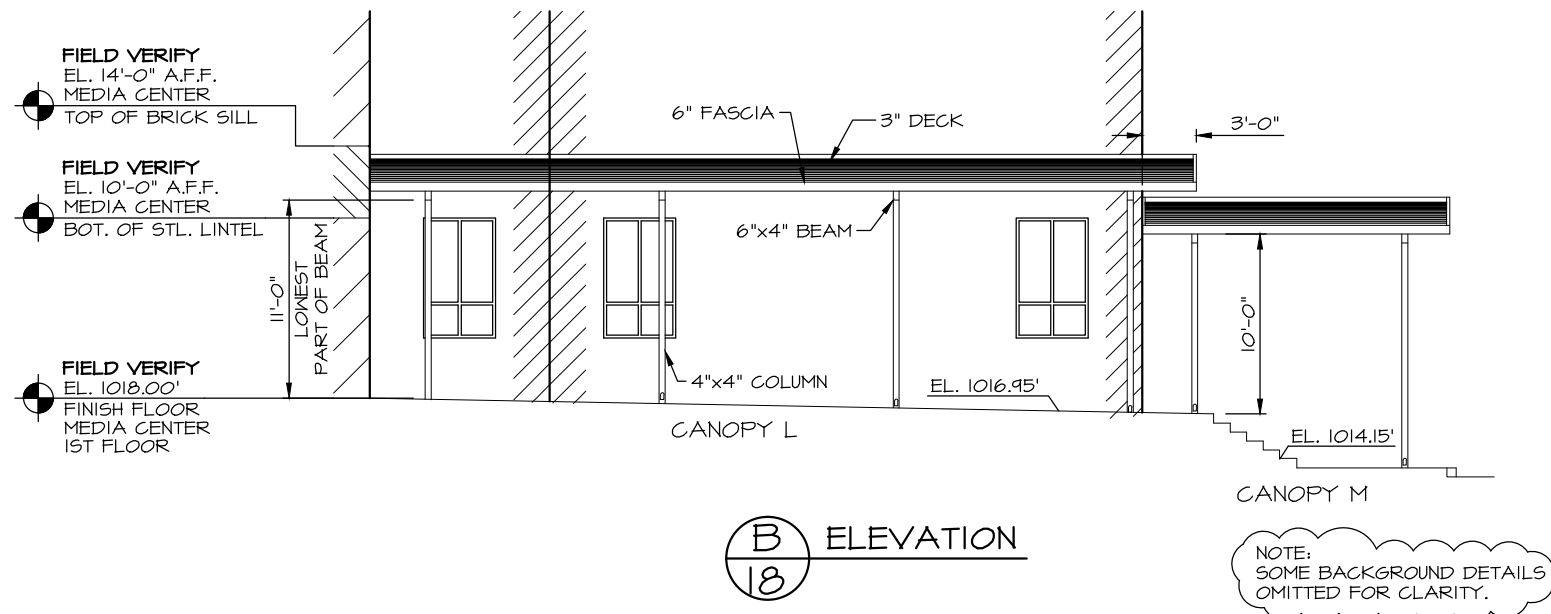
SCALE: AS SHOWN

DATE: 11/15/04

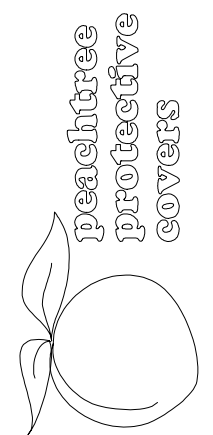
JOB #
3456
SHT 17 OF 26



A
ELEVATION
18



B
ELEVATION
18



1477 ROSEDALE DRIVE HIRAM, GA 30141
PHONE (770) 439-2120
FAX (770) 439-2122

JOB NAME: CARVER HIGH SCHOOL
LOCATION: ATLANTA, GA
ARCHITECT: SIZEMORE ALLAIN- A JOINT VENTURE
CONTRACTOR: SKANSKA USA BUILDING, INC.

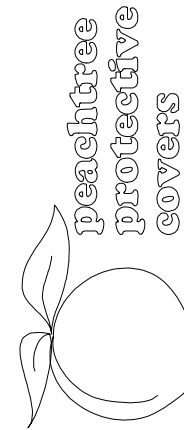
REVISIONS	
5-18-05 TLW	

DRAWN: LISA

SCALE: AS SHOWN

DATE: 11/15/04

JOB #
3456
SHT 18 OF 26



1477 ROSEDALE DRIVE HIRAM, GA 30141
 PHONE (770) 439-2120
 FAX (770) 439-2122

JOB NAME: CARVER HIGH SCHOOL

LOCATION: ATLANTA, GA

ARCHITECT: SIZEMORE ALLAIN- A JOINT VENTURE

CONTRACTOR: SKANSKA USA BUILDING, INC.

REVISIONS

6/28/05 TLW
 7/8/05 RW

DRAWN: LISA

SCALE: AS SHOWN

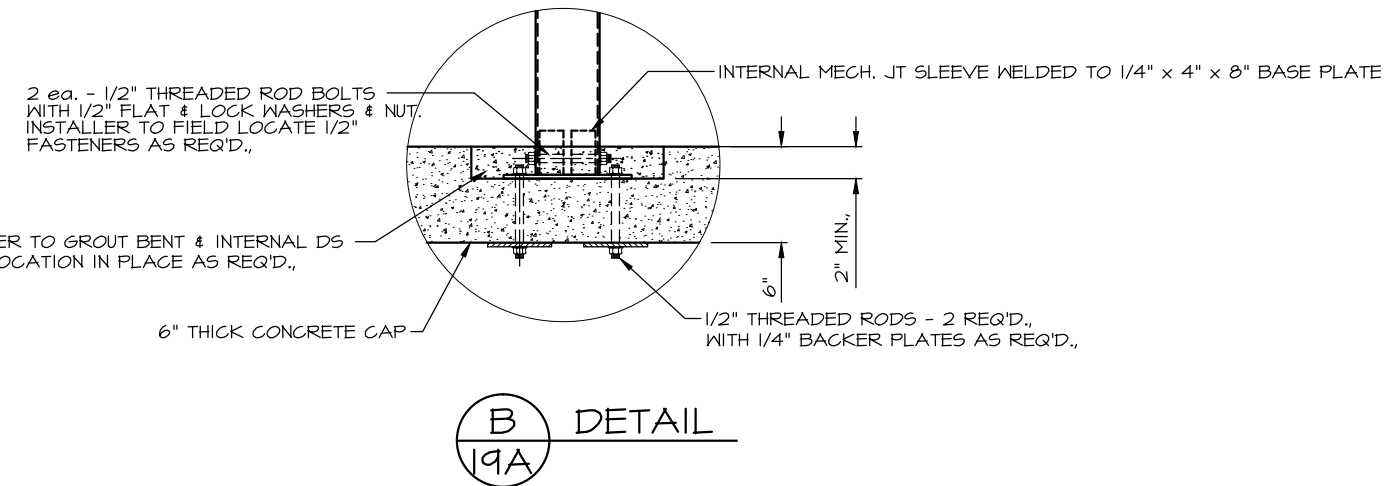
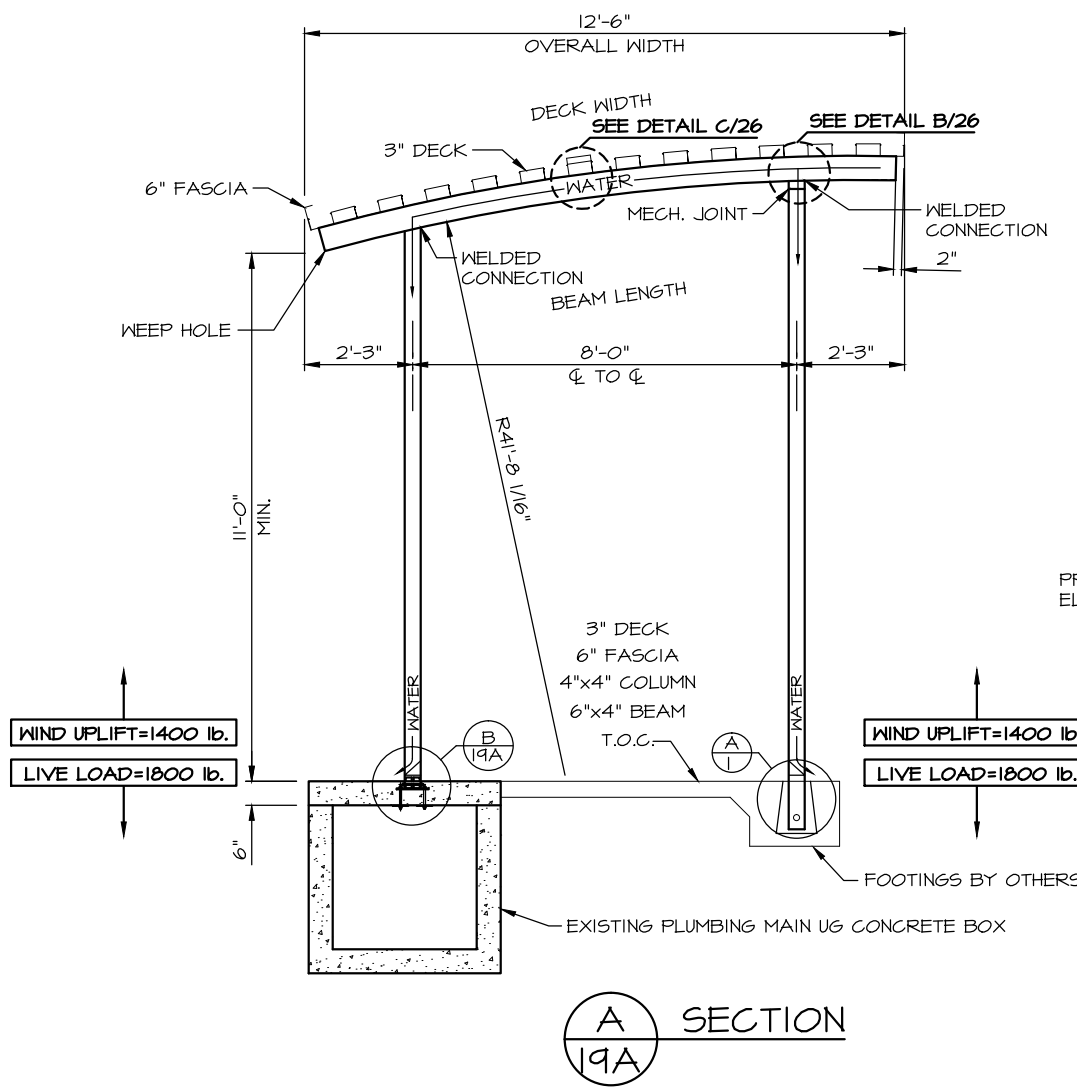
DATE: 11/15/04

JOB #

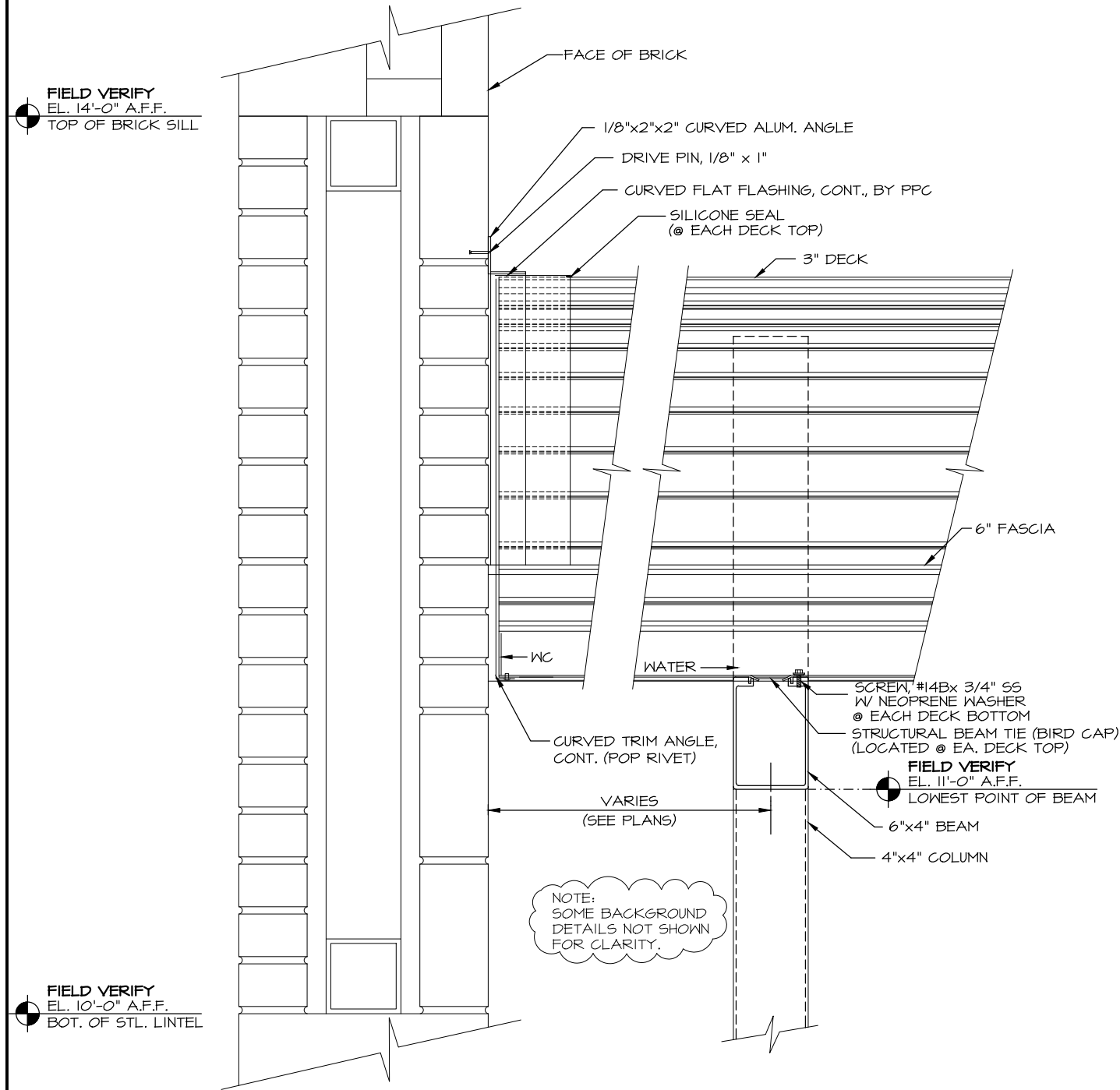
3456

SHT 19A OF 26

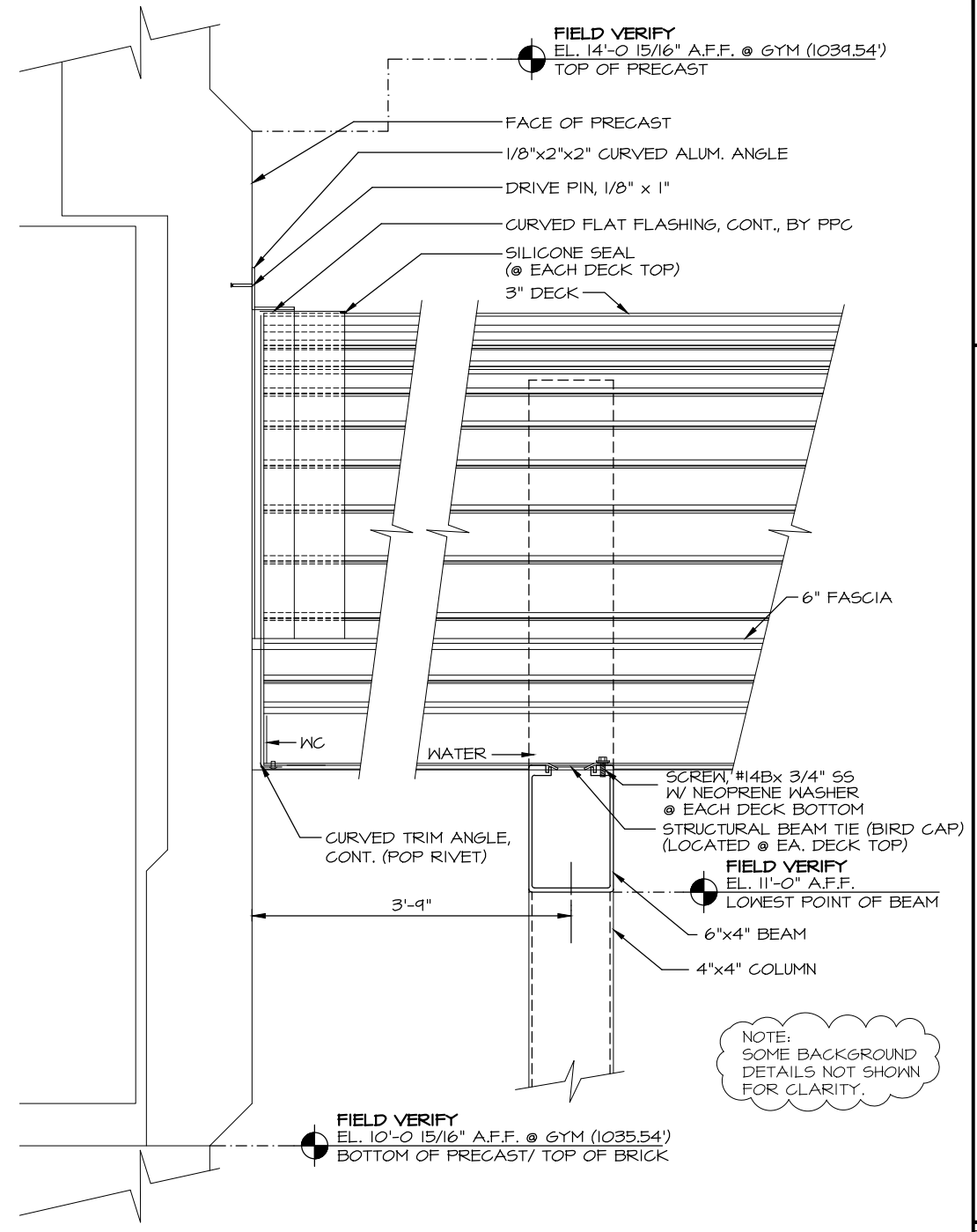
GC & ARCHITECT NOTE:
 PPC INSTALLER TO LAYOUT COLUMN WITH
 BASE PLATE LOCATION FOR GC TO CHIP OUT
 AS REQ'D., PPC INSTALLER TO FIELD CUT
 COLUMN AND ATTACH INTERNAL MECH JOINT
 SLEEVE AND FASTEN WITH 1/2" THREADED
 ROD FASTENERS PROVIDED AS REQ'D. PPC
 INSTALLER TO GROUT BASE PLATE & 1/2"
 FASTENERS IN PLACE AS REQ'D.,



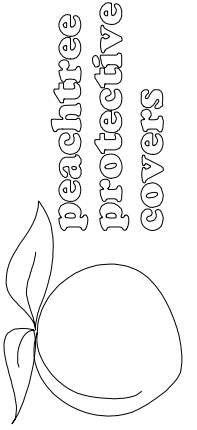
ENGINEERING SEAL APPLIES TO STRUCTURAL
 DESIGN OF WALKWAY COVER SYSTEM ONLY.
 FOUNDATION SHOULD BE DESIGNED TO RESIST
 REACTION LOADS INDICATED.



A SECTION
20



B SECTION
20



1477 ROSEDALE DRIVE HIRAM, GA 30141
PHONE (770) 439-2120 FAX (770) 439-2122

JOB NAME: CARVER HIGH SCHOOL

LOCATION: ATLANTA, GA

ARCHITECT: SIZEMORE ALLAIN- A JOINT VENTURE

CONTRACTOR: SKANSKA USA BUILDING, INC.

REVISIONS

DRAWN: LISA

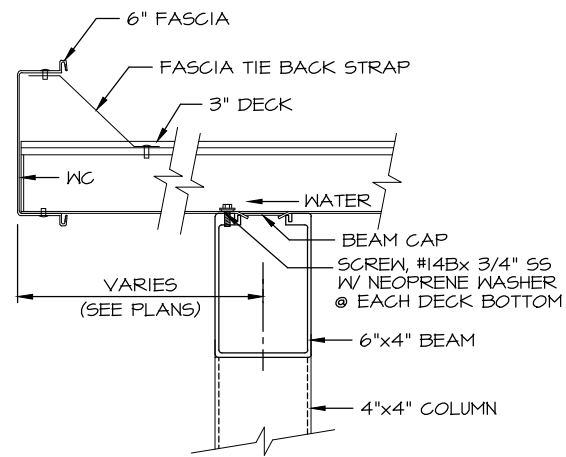
SCALE: AS SHOWN

DATE: 11/15/04

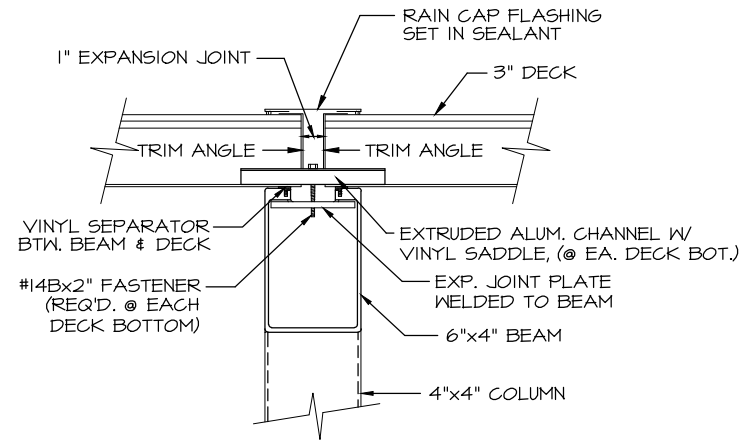
JOB #

3456

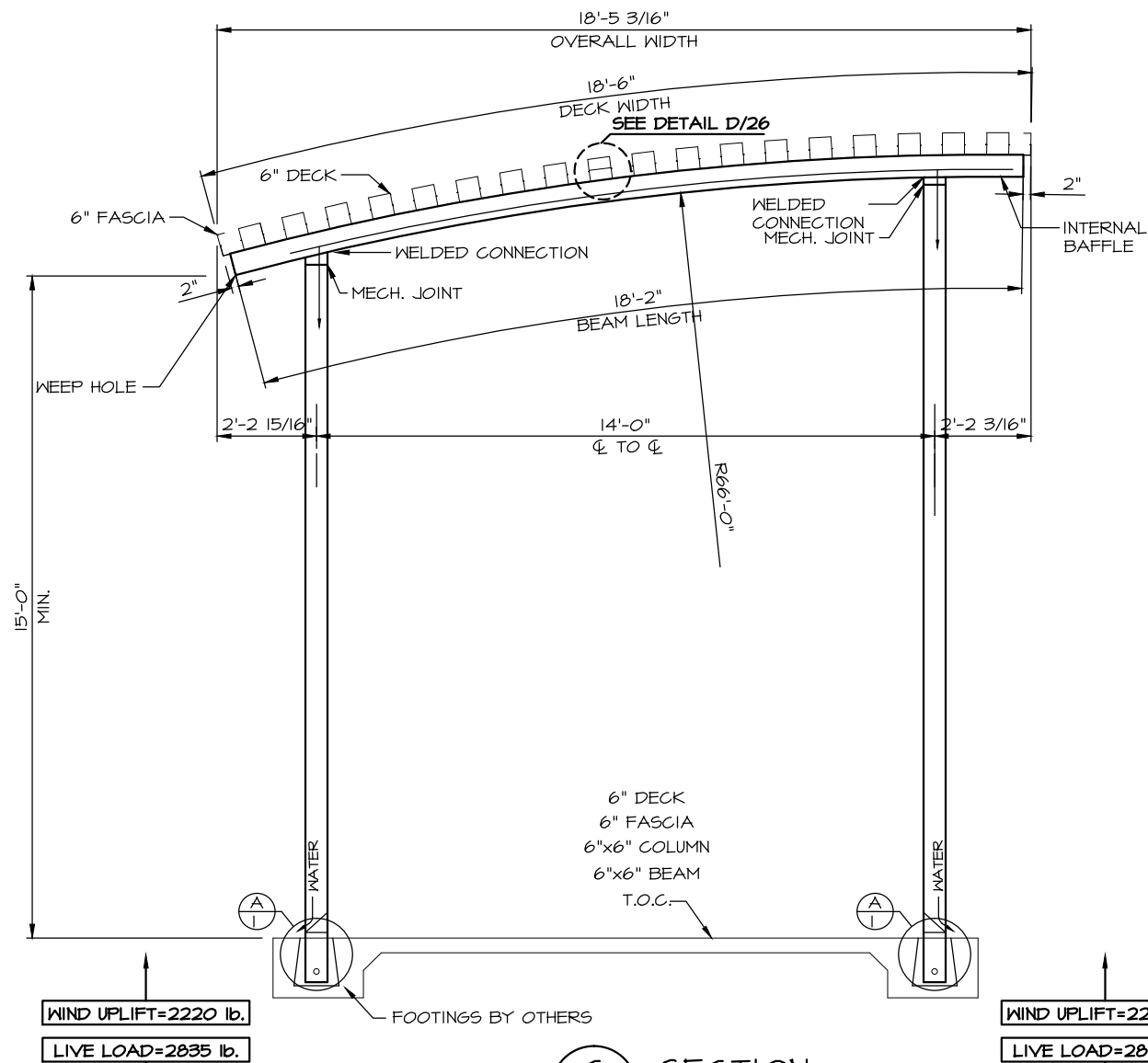
SHT 20 OF 26



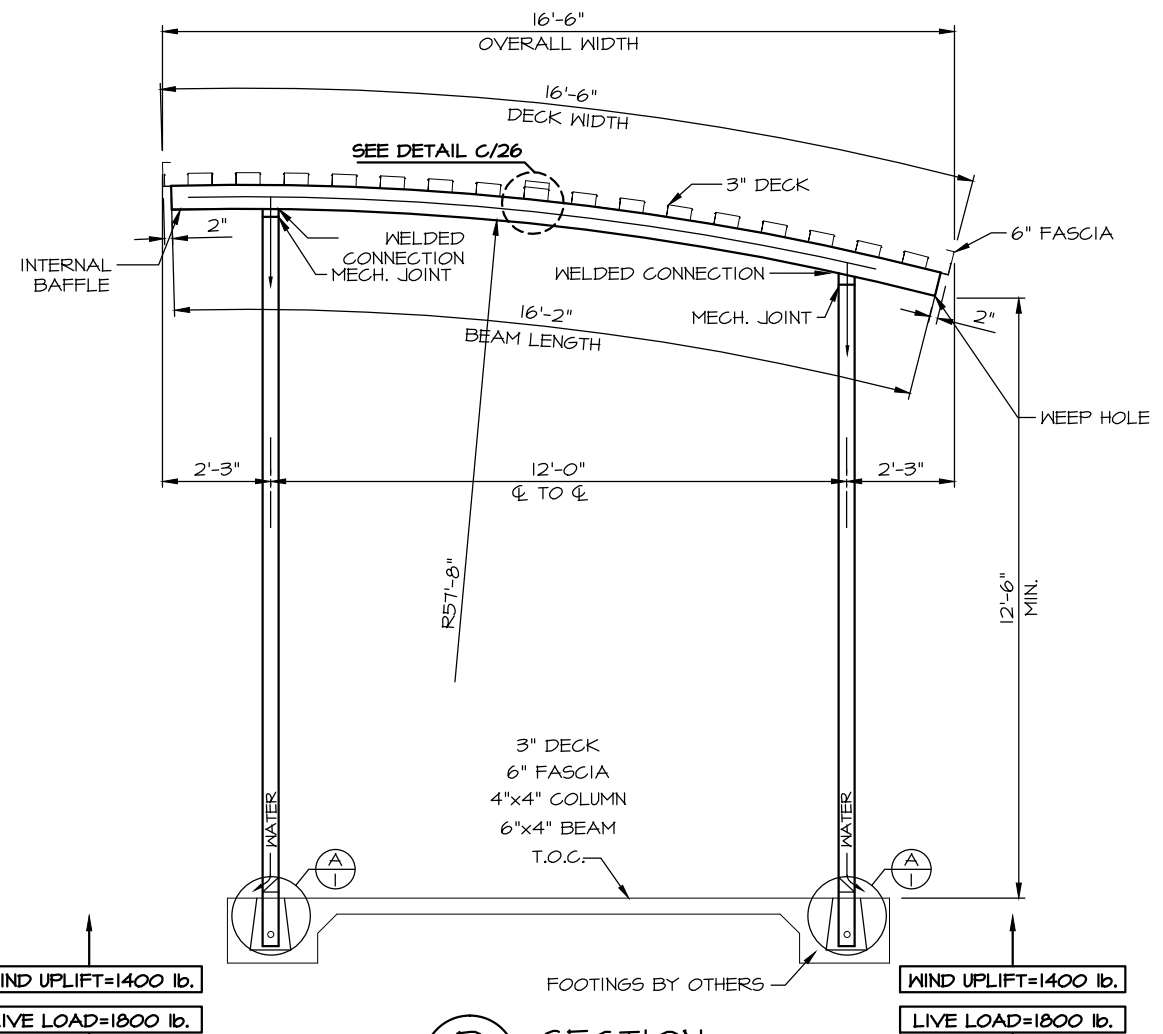
A SECTION
21



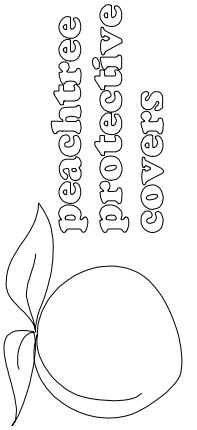
B SECTION
21



C SECTION
21



D SECTION
21



1477 ROSEDALE DRIVE HIRAM, GA 30141
PHONE (770) 439-2120
FAX (770) 439-2122

JOB NAME: CARVER HIGH SCHOOL
LOCATION: ATLANTA, GA
ARCHITECT: SIZEMORE ALLAIN- A JOINT VENTURE
CONTRACTOR: SKANSKA USA BUILDING, INC.

REVISIONS

12/23/04 LKA	
3/11/05 TLW	

DRAWN: LISA

SCALE: AS SHOWN

DATE: 11/15/04

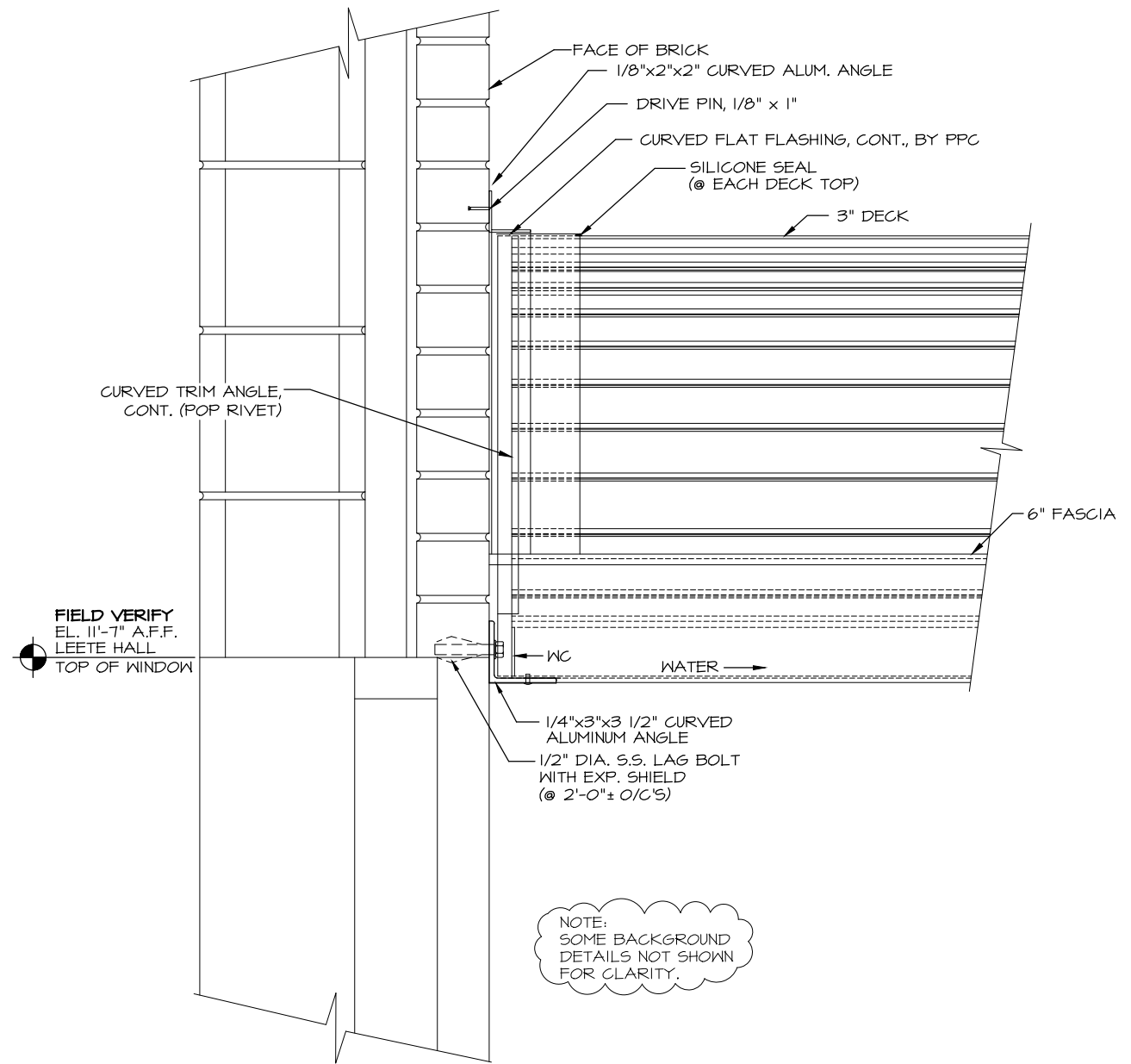
JOB #

3456

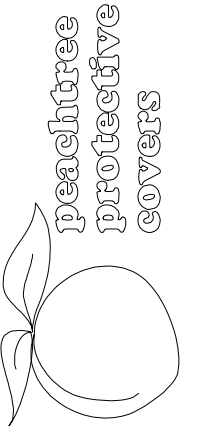
SHT 21 OF 26

NOT
USED

A SECTION
22



B SECTION
22



1477 ROSEDALE DRIVE HIRAM, GA 30141
PHONE (770) 439-2120
FAX (770) 439-2122

JOB NAME: CARVER HIGH SCHOOL

LOCATION: ATLANTA, GA

ARCHITECT: SIZEMORE ALLAIN- A JOINT VENTURE

CONTRACTOR: SKANSKA USA BUILDING, INC.

REVISIONS

12/23/04 LKA

DRAWN: LISA

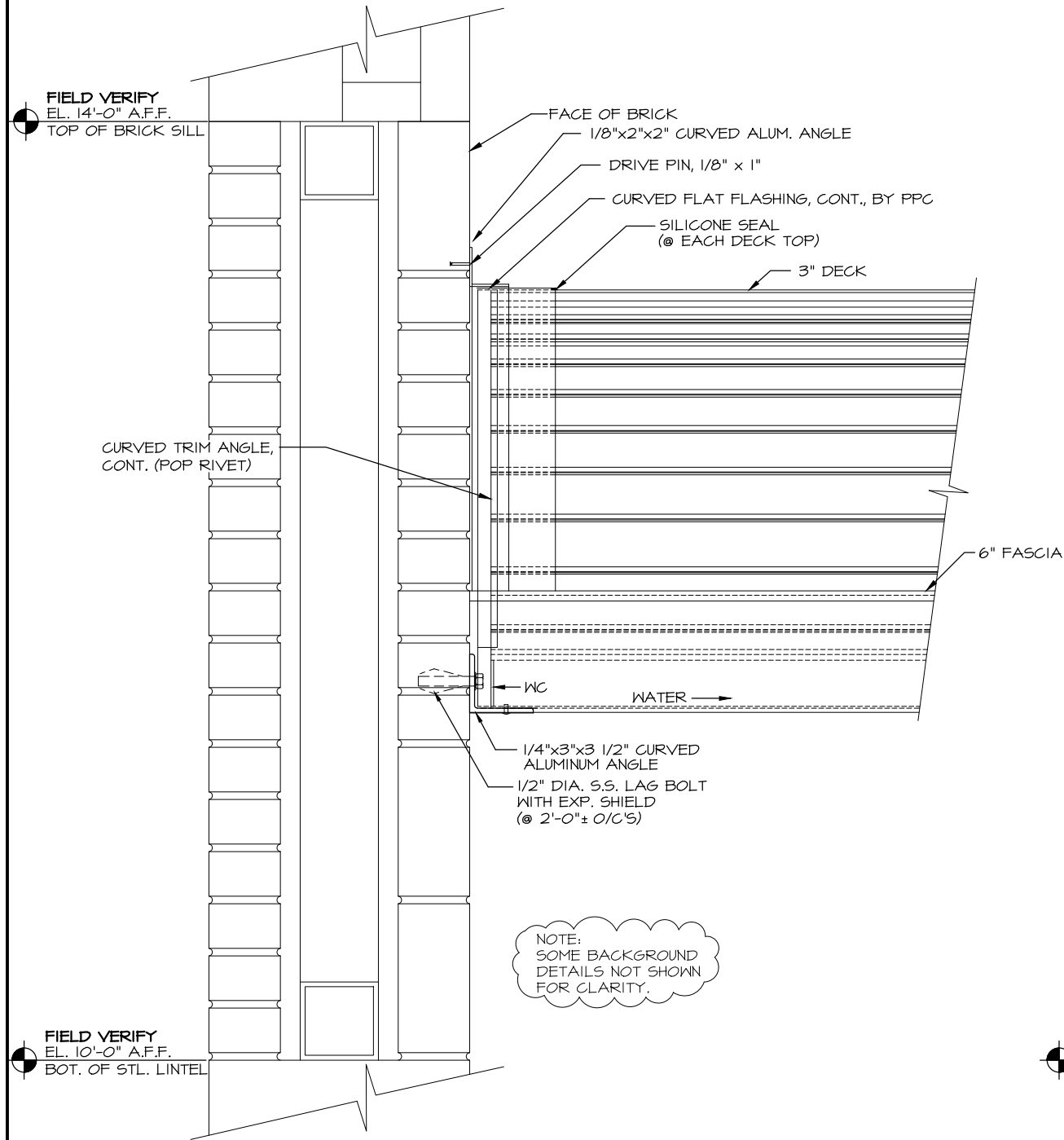
SCALE: AS SHOWN

DATE: 11/15/04

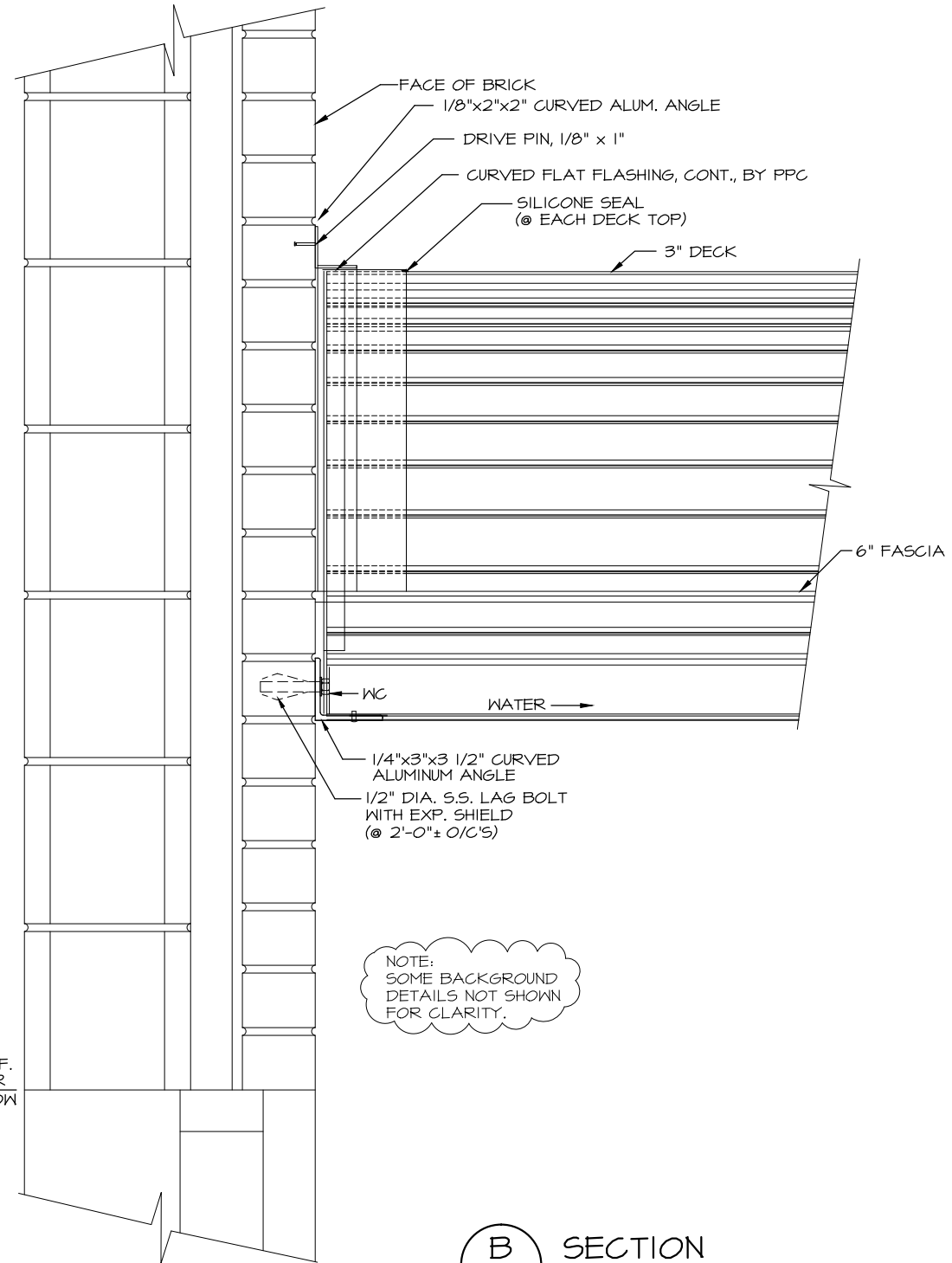
JOB #

3456

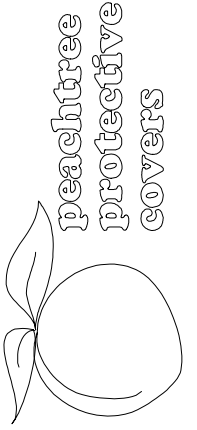
SHT 22 OF 26



A SECTION
23



B SECTION
23



1477 ROSEDALE DRIVE HIRAM, GA 30141
PHONE (770) 439-2120
FAX (770) 439-2122

JOB NAME: CARVER HIGH SCHOOL

LOCATION: ATLANTA, GA

ARCHITECT: SIZEMORE ALLAIN- A JOINT VENTURE

CONTRACTOR: SKANSKA USA BUILDING, INC.

REVISIONS

DRAWN: LISA

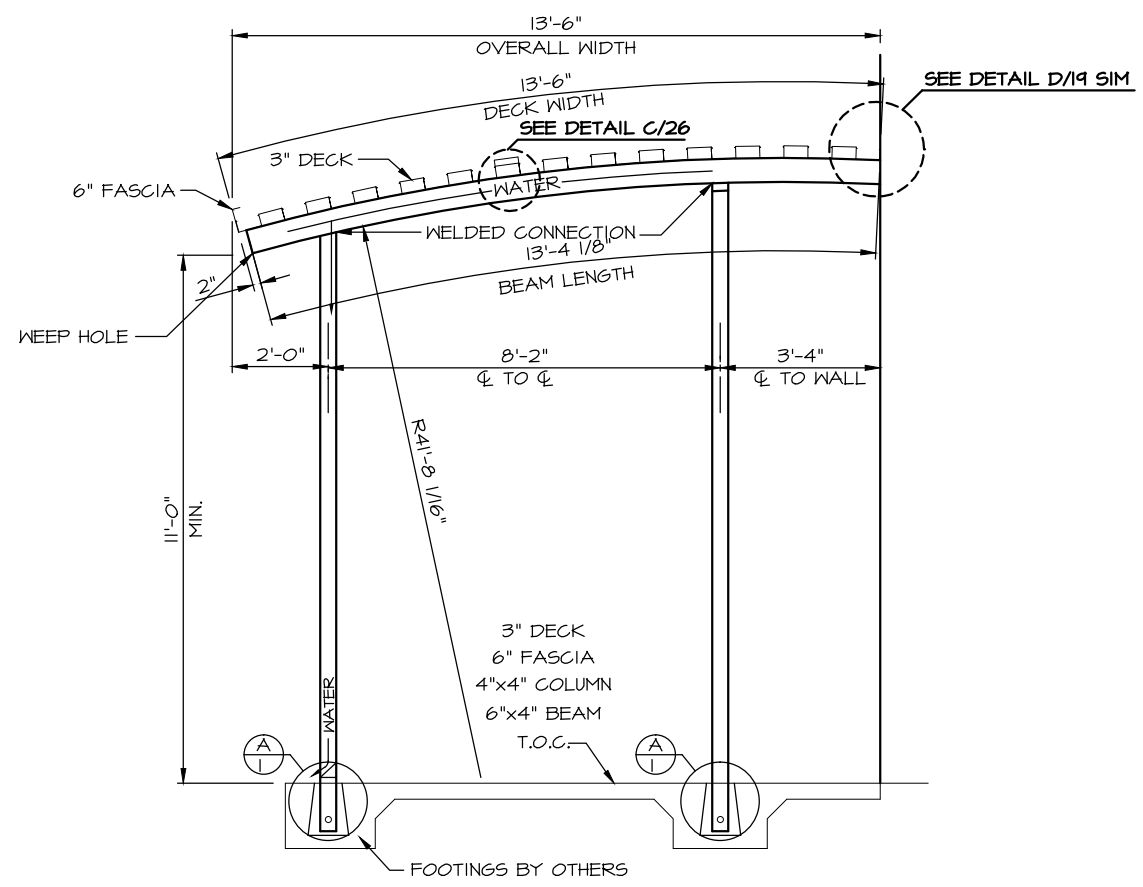
SCALE: AS SHOWN

DATE: 11/15/04

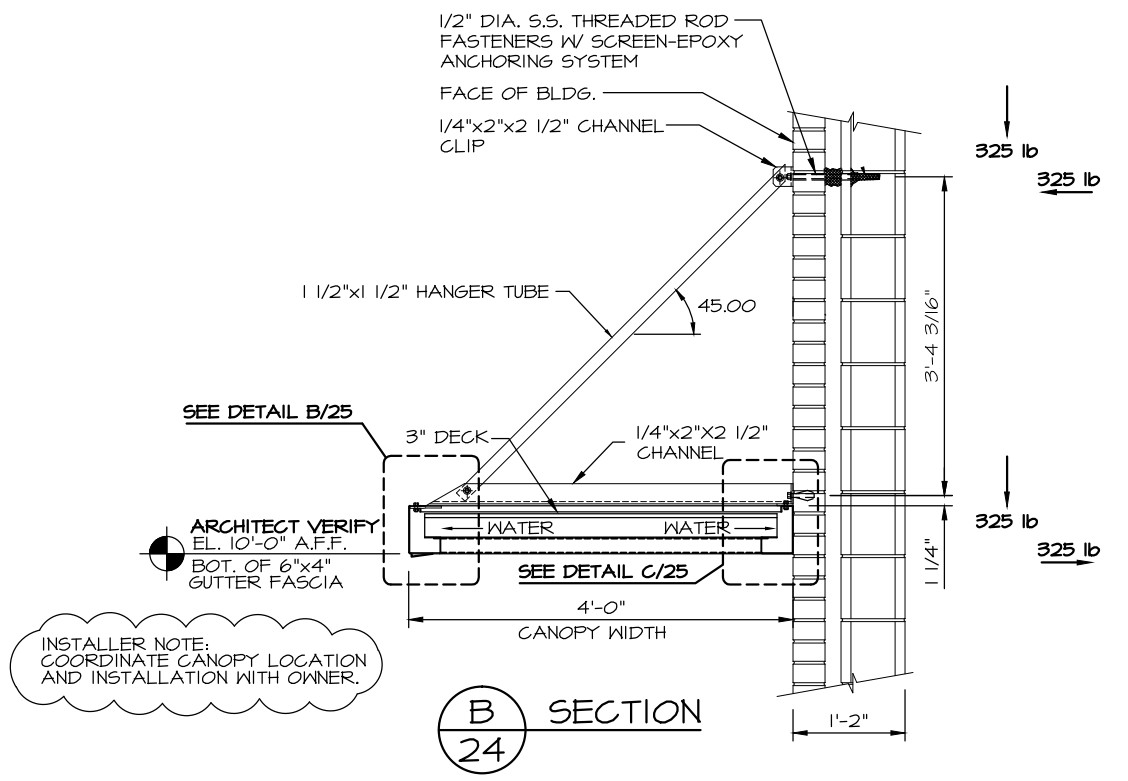
JOB #

3456

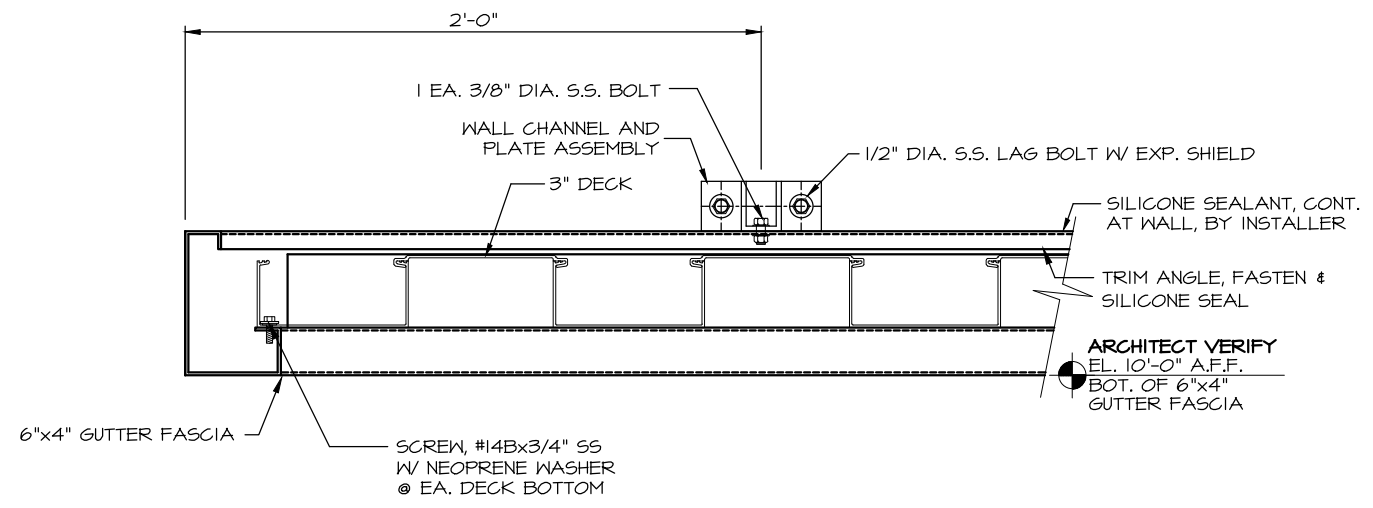
SHT 23 OF 26



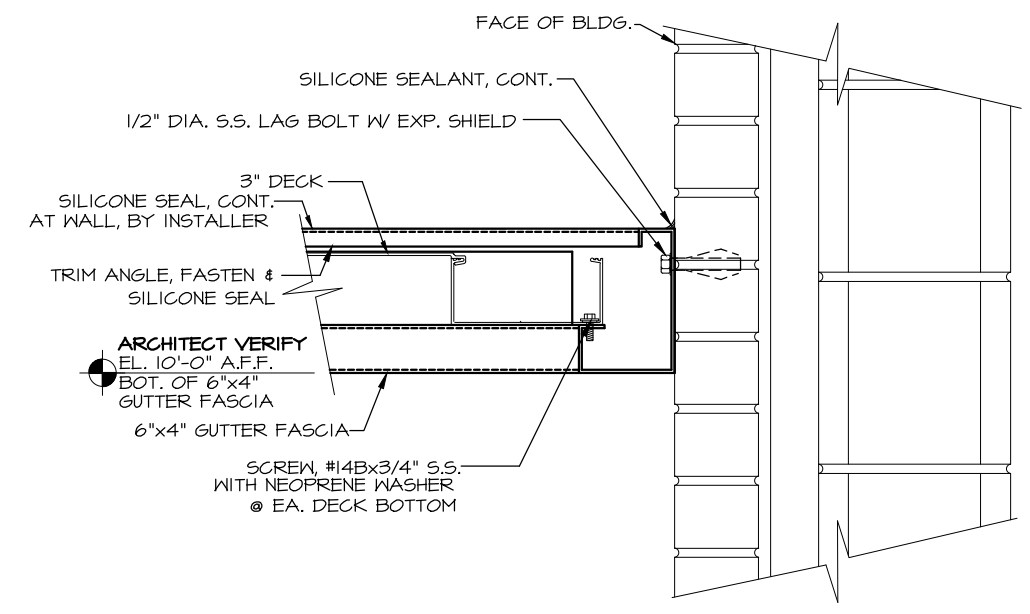
A SECTION
24



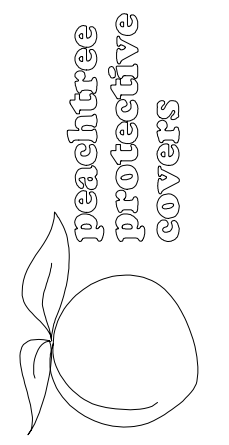
B SECTION
24



C SECTION
24



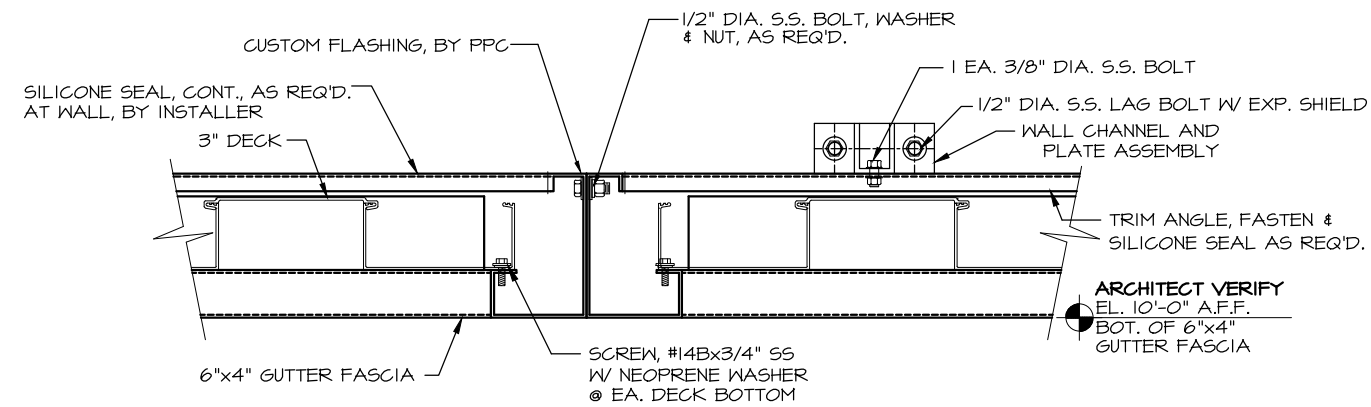
D SECTION
24



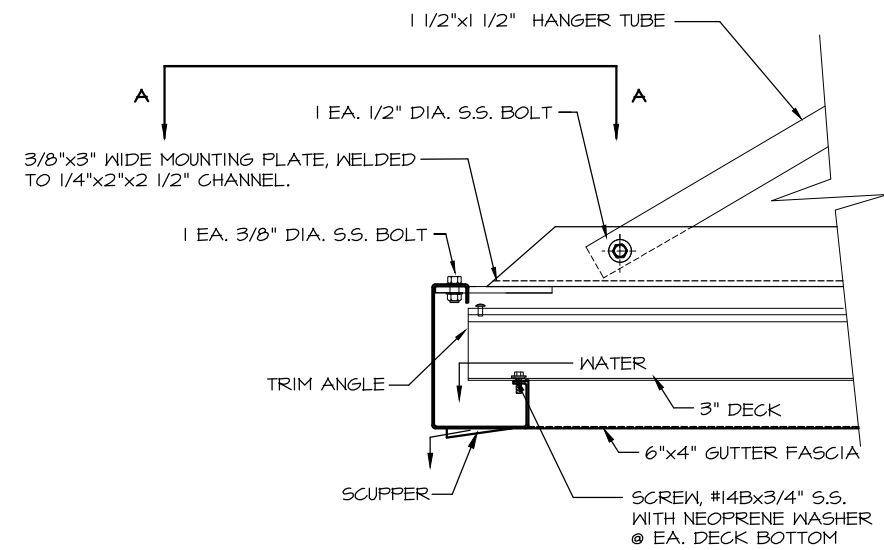
1477 ROSEDALE DRIVE HIRAM, GA 30141
PHONE (770) 439-2120 FAX (770) 439-2122

JOB NAME: CARVER HIGH SCHOOL
LOCATION: ATLANTA, GA
ARCHITECT: SIZEMORE ALLAIN- A JOINT VENTURE
CONTRACTOR: SKANSKA USA BUILDING, INC.

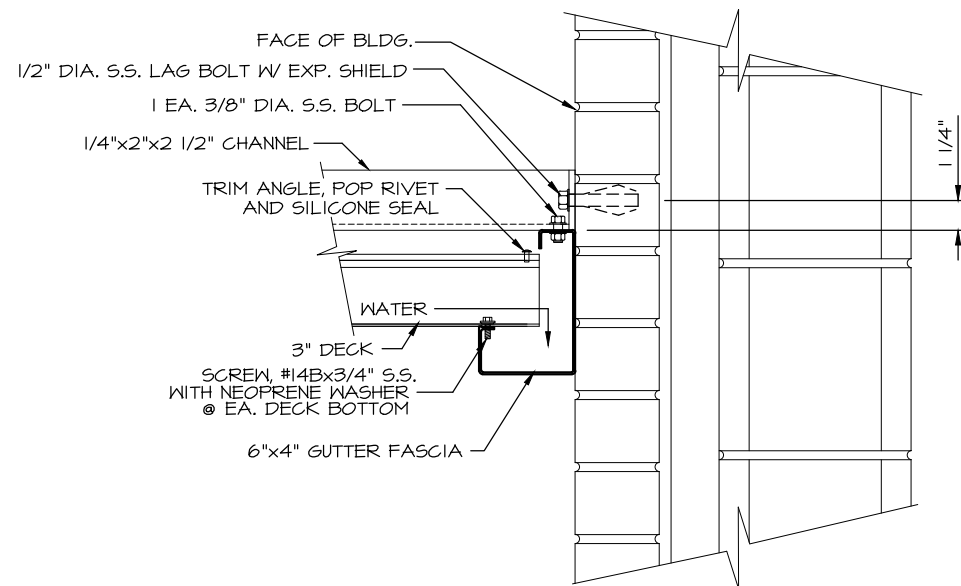
REVISIONS	
TLW 2/19/05	
DRAWN: LISA	
SCALE: AS SHOWN	
DATE: 11/15/04	
JOB #	
3456	
SHT 24 OF 26	



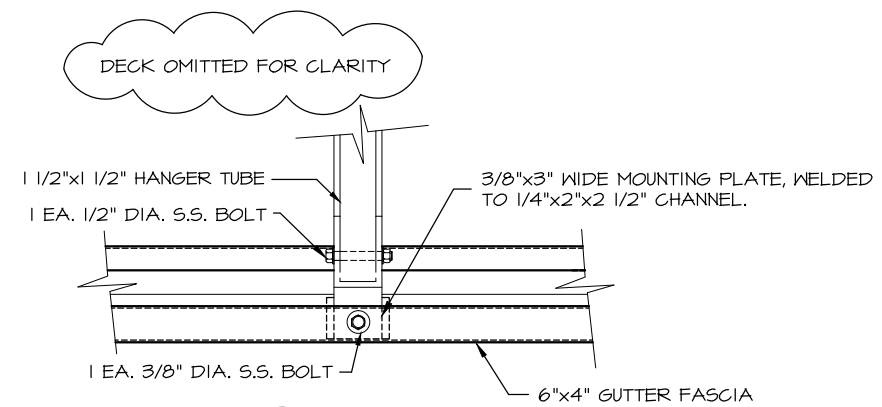
A SECTION
25



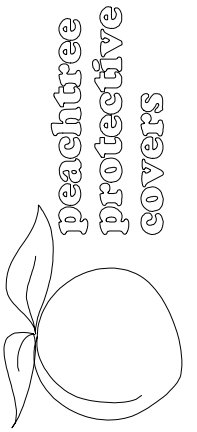
B DETAIL
25



C DETAIL
25



A DETAIL
A



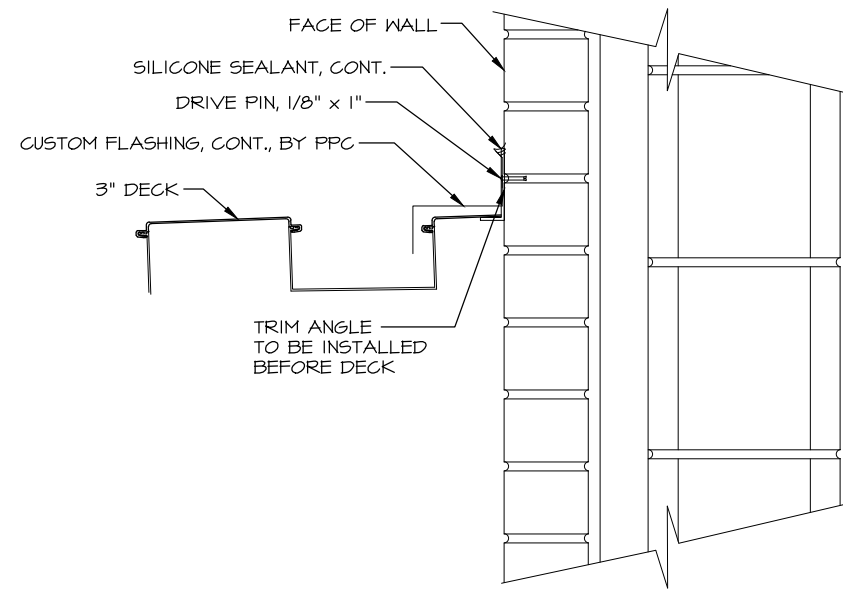
1477 ROSEDALE DRIVE HIRAM, GA 30141
PHONE (770) 439-2120 FAX (770) 439-2122

JOB NAME: CARVER HIGH SCHOOL
LOCATION: ATLANTA, GA
ARCHITECT: SIZEMORE ALLAIN- A JOINT VENTURE
CONTRACTOR: SKANSKA USA BUILDING, INC.

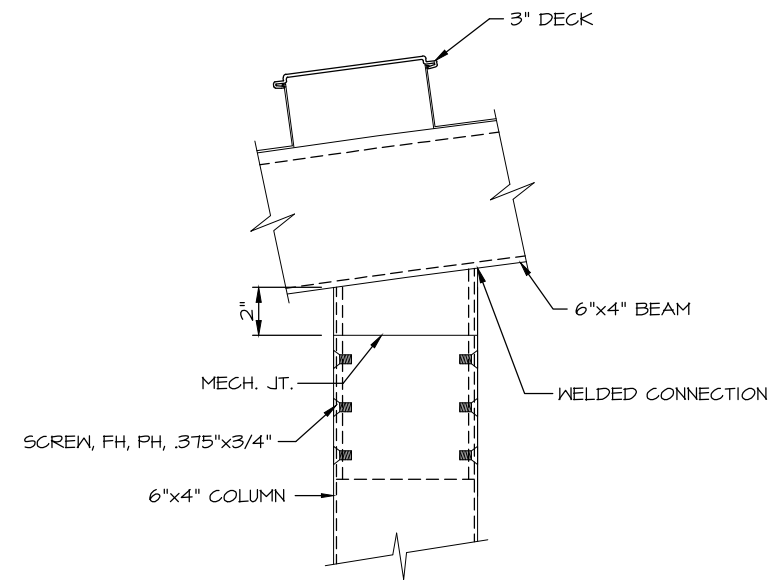
REVISIONS	

DRAWN: LISA
SCALE: AS SHOWN
DATE: 11/15/04

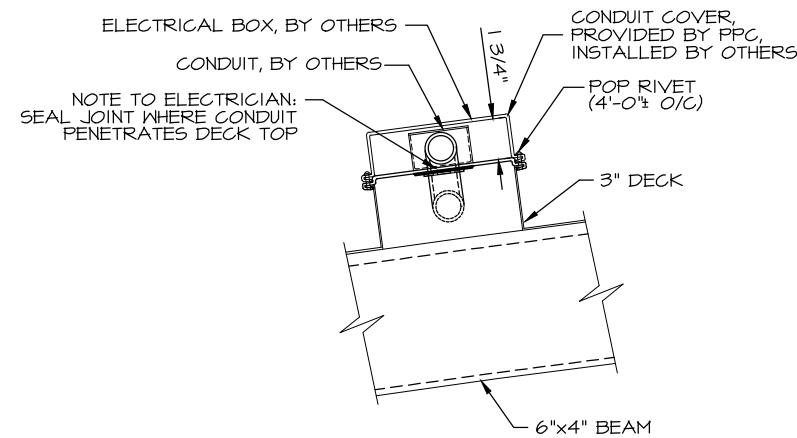
JOB #
3456
SHT 25 OF 26



A SECTION
26



B DETAIL
26

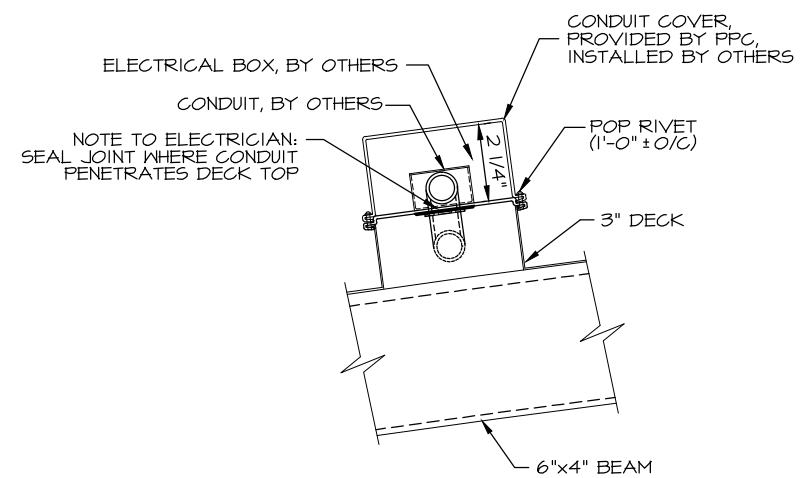


C DETAIL
26

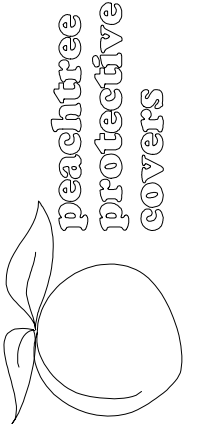
GC & ARCHITECT NOTE:
PPC DOES NOT ACCEPT RESPONSIBILITY FOR CANOPY LEAKAGE AT PENETRATION POINTS TO OUR PRODUCT BY OTHERS.

ELECTRICAL INSTALLATION NOTE:
ALL ELECTRICAL LIGHTS AND CONDUIT ATTACHMENTS TO BE MADE AT DECK TOP LOCATIONS ONLY. DO NOT ATTACH TO OR PENETRATE ANY DECK BOTTOM FOR ANY REASON.

G.C. NOTE:
PPC RECOMMENDS POP RIVET FASTENERS TO BE STAINLESS STEEL OR ALUM.



D DETAIL
26



1477 ROSEDALE DRIVE HIRAM, GA 30141
PHONE (770) 439-2120 FAX (770) 439-2122

JOB NAME: CARVER HIGH SCHOOL
LOCATION: ATLANTA, GA
ARCHITECT: SIZEMORE ALLAIN- A JOINT VENTURE
CONTRACTOR: SKANSKA USA BUILDING, INC.

REVISIONS	

DRAWN: LISA
SCALE: AS SHOWN
DATE: 11/15/04

JOB #
3456
SHT **26** OF **26**