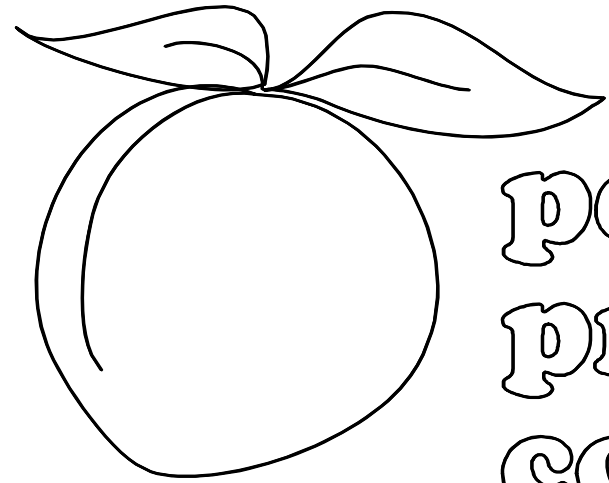


REVISION HISTORY	
DATE	DESCRIPTION
8/24/12	1ST SUBMITTAL
12/11/12	INITIAL F&F
12/12/12	FINAL F&F

JOB # 5422



peachtree
protective
covers

CEDARCREST CHURCH

ACWORTH, GA

BY

CROFT AND ASSOCIATES

DECEMBER 12, 2012

NOTE:
PEACHTREE PROTECTIVE COVERS RESERVES
THE RIGHT TO INSTALL MECHANICAL JOINTS IN
COLUMNS THAT EXCEED SHIPPING LIMITATIONS.

1477 ROSEDALE DRIVE
HIRAM, GA 30141
(770) 439-2120
fax (770) 439-2122

GENERAL NOTES

FABRICATION NOTE:
PPC WILL FIELD MEASURE THE SITE PRIOR TO FABRICATION OF THE CANOPY SYSTEM. FIELD MEASUREMENTS WILL BE TAKEN AFTER ALL ADJACENT/EXTERIOR BUILDING SKIN IS COMPLETE. AS PART OF THE FIELD MEASUREMENT PROCESS, WE WILL MEASURE THE BUILDING TO WHICH OUR SYSTEM WILL BE CONNECTED. FIELD MEASUREMENTS ARE TYPICALLY A REQUIREMENT OF THE SPECIFICATION AND ARE REQUIRED IN ORDER TO INSURE THAT THE CANOPY SYSTEM IS CONSTRUCTED TO FIT ACTUAL JOB SITE CONDITIONS. DUE TO THE NATURE OF EXTRUDED ALUMINUM CANOPY DESIGN, THE SYSTEM CANNOT BE "FABRICATED TO APPROVED SHOP DRAWINGS".

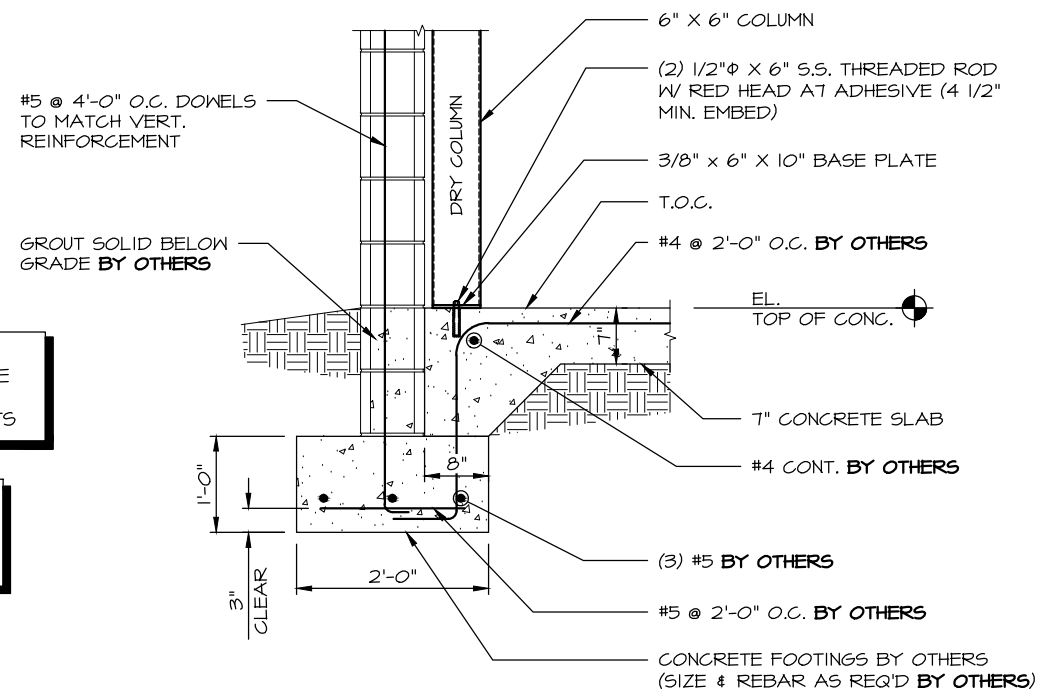
FINISH NOTE:
WITHIN THE FINISH SCHEDULE ON SHEET #1, PPC HAS INDICATED THE FINISH AND COLOR THAT WE UNDERSTAND TO BE THE ARCHITECT'S INTENT. THIS FINISH SCHEDULE IS IN ACCORDANCE WITH OUR PROPOSAL. APPROVAL OF THE SHOP DRAWINGS WITHOUT COMMENT IN THIS AREA WILL BE INTERPRETED AS APPROVAL OF THE FINISH/COLOR INDICATED. WHERE APPLICABLE A COLOR CHART IS PROVIDED FOR USE IN SELECTING PAINT COLOR. THE STANDARD COLORS OFFERED BY PPC ARE MARKED ON THIS CHART. TO AVOID ADDITIONAL COSTS AND/OR SCHEDULE DELAYS, IT IS IMPORTANT TO SELECT FROM THESE STANDARD COLORS WHEN THE FINISH SCHEDULE INDICATES THAT A STANDARD COLOR IS WARRANTED. IN CASES WHERE A CUSTOM COLOR OR A MATCH OF A PARTICULAR COLOR IS REQUIRED, PPC WILL REQUIRE A SAMPLE OF THAT COLOR TO MATCH. IN THESE INSTANCES A "MATCH SAMPLE" WILL BE PROVIDED BY PPC FOR THE ARCHITECT TO ACCEPT OR REJECT. MATERIALS CANNOT BE ORDERED UNTIL THIS "MATCH SAMPLE" IS ACCEPTED.

ATTACHMENT NOTE:
IN ACCORDANCE WITH OUR UNDERSTANDING OF THE CONTRACT DOCUMENTS, PPC HAS DETAILED THE CONNECTIONS TO ADJACENT STRUCTURE TO THE BEST OF OUR ABILITY. ALL CONNECTION DETAILS NEED TO BE REVIEWED BY THE GC, ARCHITECT AND STRUCTURAL ENGINEER. PLEASE PROVIDED ANY/ALL REQUESTED INFORMATION SO AS TO ASSURE OUR CANOPY (OR SUNSCREEN) CAN BE SUPPORTED PROPERLY. IF ANY QUESTIONS, PLEASE CONTACT PPC PROJECT MANAGEMENT.

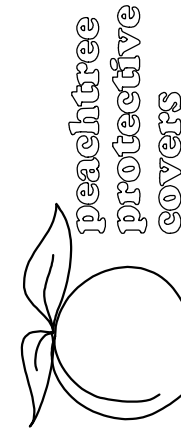
NOTE:
ALL NON-DRAINING COLUMNS TO HAVE WEEP HOLES DRILLED AT TOP OF CONCRETE

GC/ ARCHITECT NOTE:
FOOTING LAYOUT ADJUSTMENTS MADE TO ACCOMMODATE LOAD DESIGN & PPC'S CANOPY SYSTEM REQUIREMENTS

GC & ARCHITECT NOTE:
PLEASE DESIGN FOOTINGS TO RESIST THE REACTION LOADS INDICATED ON SECTION A/1



A
FOOTING DETAIL
CANOPY A
REF: NONE



1477 ROSEDALE DRIVE PHONE (770) 434-2120
HIRAM, GA 30141 FAX (770) 434-2122

JOB NAME: CEDARCREST CHURCH
LOCATION: ACWORTH, GA
ARCHITECT: CROFT AND ASSOCIATES
CONTRACTOR: BRASFIELD & GORRIE GC

FINISH SCHEDULE

CANOPY	DESCRIPTION	FINISH	COLOR
CANOPY A	6" x 6" COLUMN	ANODIZED	CLEAR
	6" FASCIA	ANODIZED	CLEAR
	6" x 6" BEAM	ANODIZED	CLEAR
	3" DECK	ANODIZED	CLEAR
ALUMINUM GATE @ CANOPY A	4"x4" TUBE	ANODIZED	CLEAR
	6" Z-BLADE	ANODIZED	CLEAR
CROSS	8"x6" TUBE	ANODIZED	DARK BRONZE
	6"x6" TUBE	ANODIZED	DARK BRONZE
TRELLISES A & B	2"x2" TUBE	ANODIZED	DARK BRONZE
	6"x4" TUBE	ANODIZED	DARK BRONZE
	8"x6" TUBE	ANODIZED	DARK BRONZE
	6"x6" TUBE	ANODIZED	DARK BRONZE

REVISIONS

12/11/12 TG

DRAWN: JTD

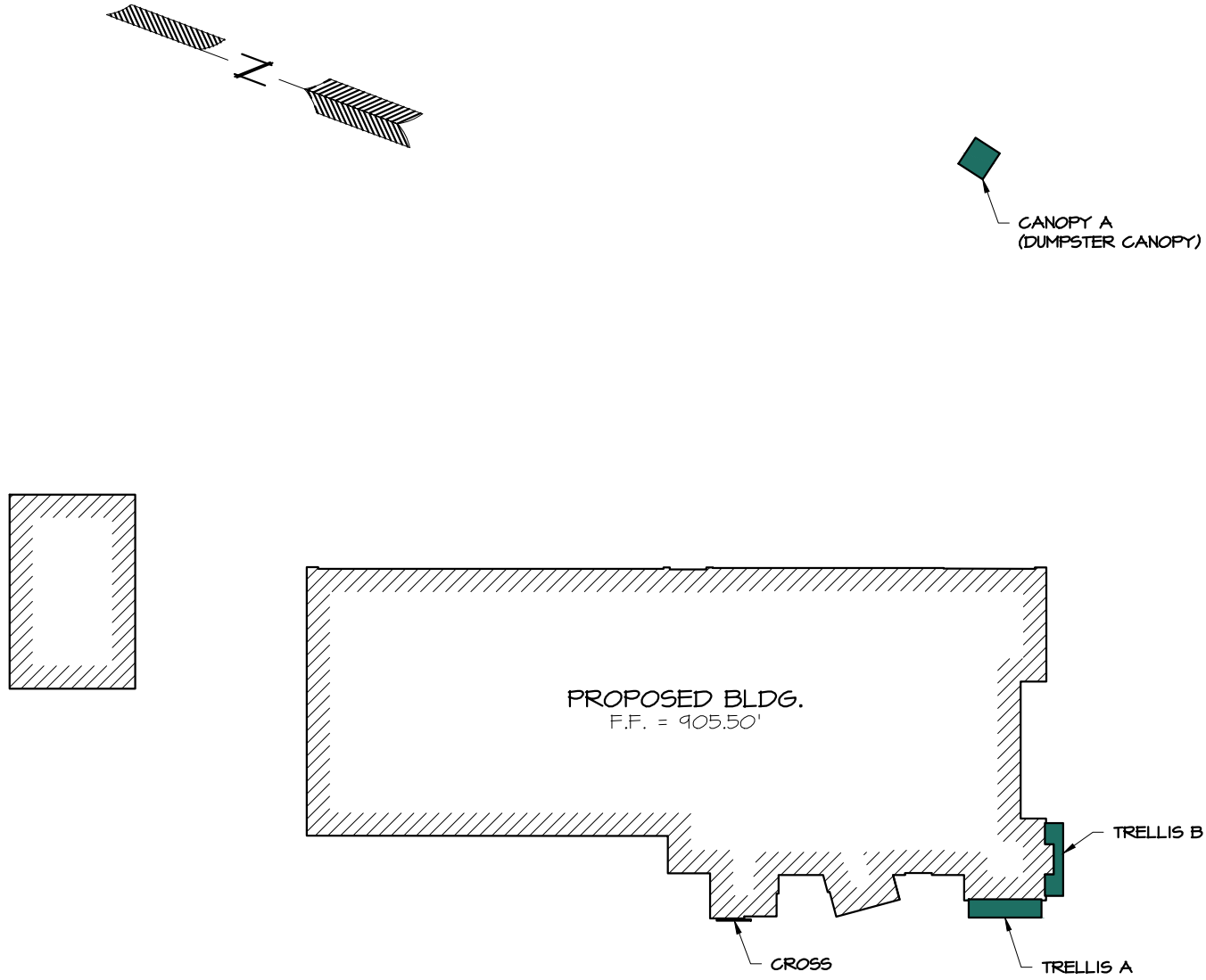
DATE: 8-24-12

JOB #

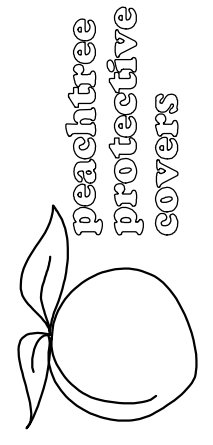
5422

SHT 1 OF 16

Drawing: 5422-FF.dwg Layout: 2
Plotted: Dec 12, 2012 - 4:05am By: rbailey



KEY PLAN
N.T.S.



1477 ROSEDALE DRIVE PHONE (770) 439-2120
HIRAM, GA 30141 FAX (770) 439-2122

JOB NAME: CEDARCREST CHURCH

LOCATION: ACWORTH, GA

ARCHITECT: CROFT AND ASSOCIATES

CONTRACTOR: BRASFIELD & GORRIE GC

REVISIONS

NO.	DESCRIPTION

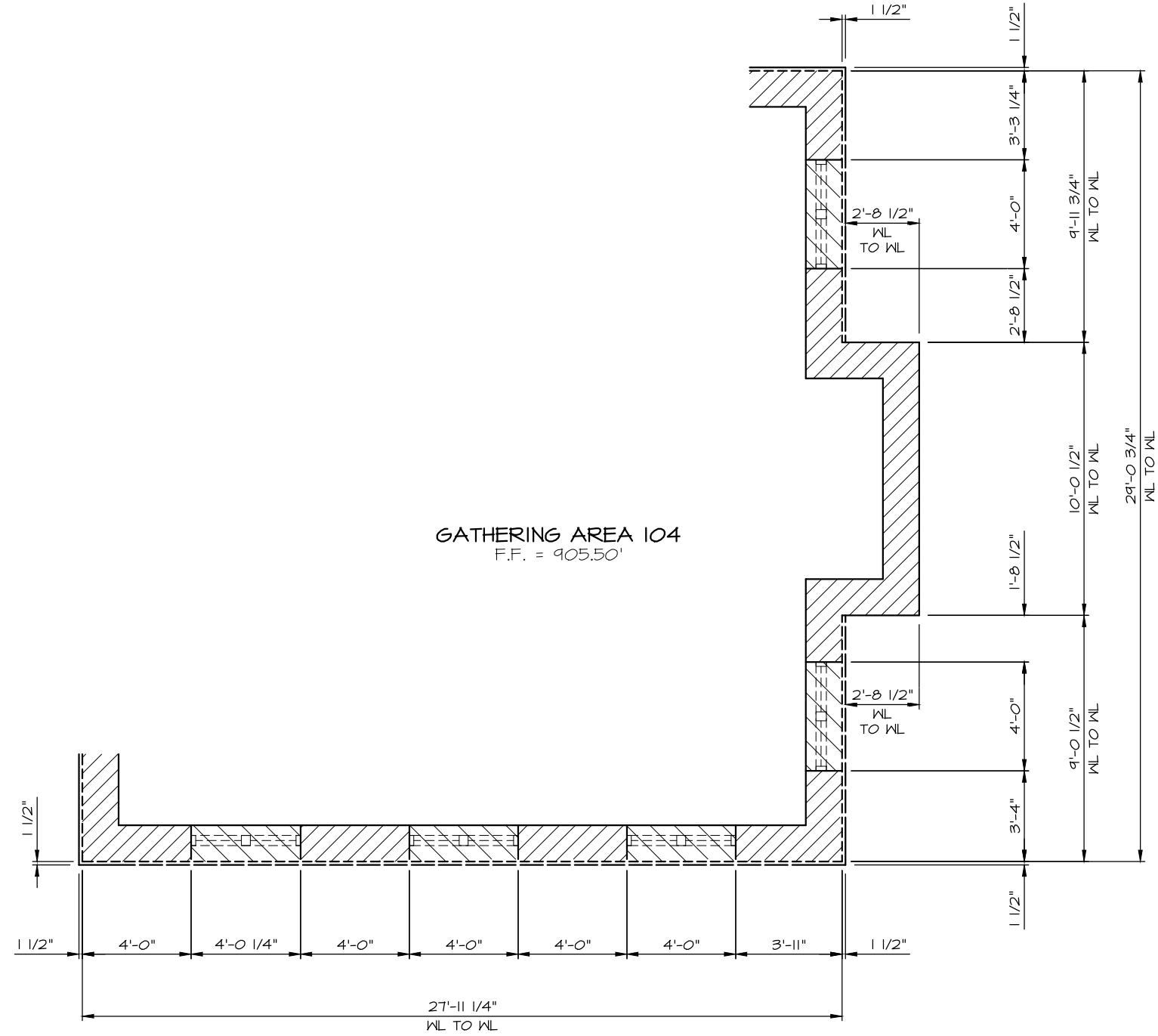
DRAWN: JTD

DATE: 8-24-12

JOB #
5422

SHT 2 OF 16

Drawing: 5422-FF.dwg Layout: 3
 Plotted: Dec 12, 2012 - 4:05am By: rbailey

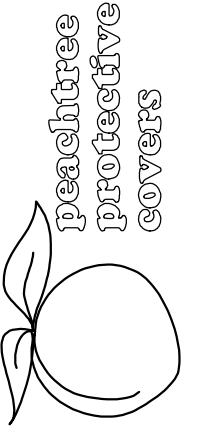


GATHERING AREA 104
 F.F. = 905.50'

BUILDING PLAN VIEW

SCALE: 3/16" = 1'-0"

TRELLIS A & B
 (REF. A1/A101)



1477 ROSEDALE DRIVE PHONE (770) 439-2120
 HIRAM, GA 30141 FAX (770) 439-2122

JOB NAME: CEDARCREST CHURCH

LOCATION: ACWORTH, GA

ARCHITECT: CROFT AND ASSOCIATES

CONTRACTOR: BRASFIELD & GORRIE GC

REVISIONS

DRAWN: JTD

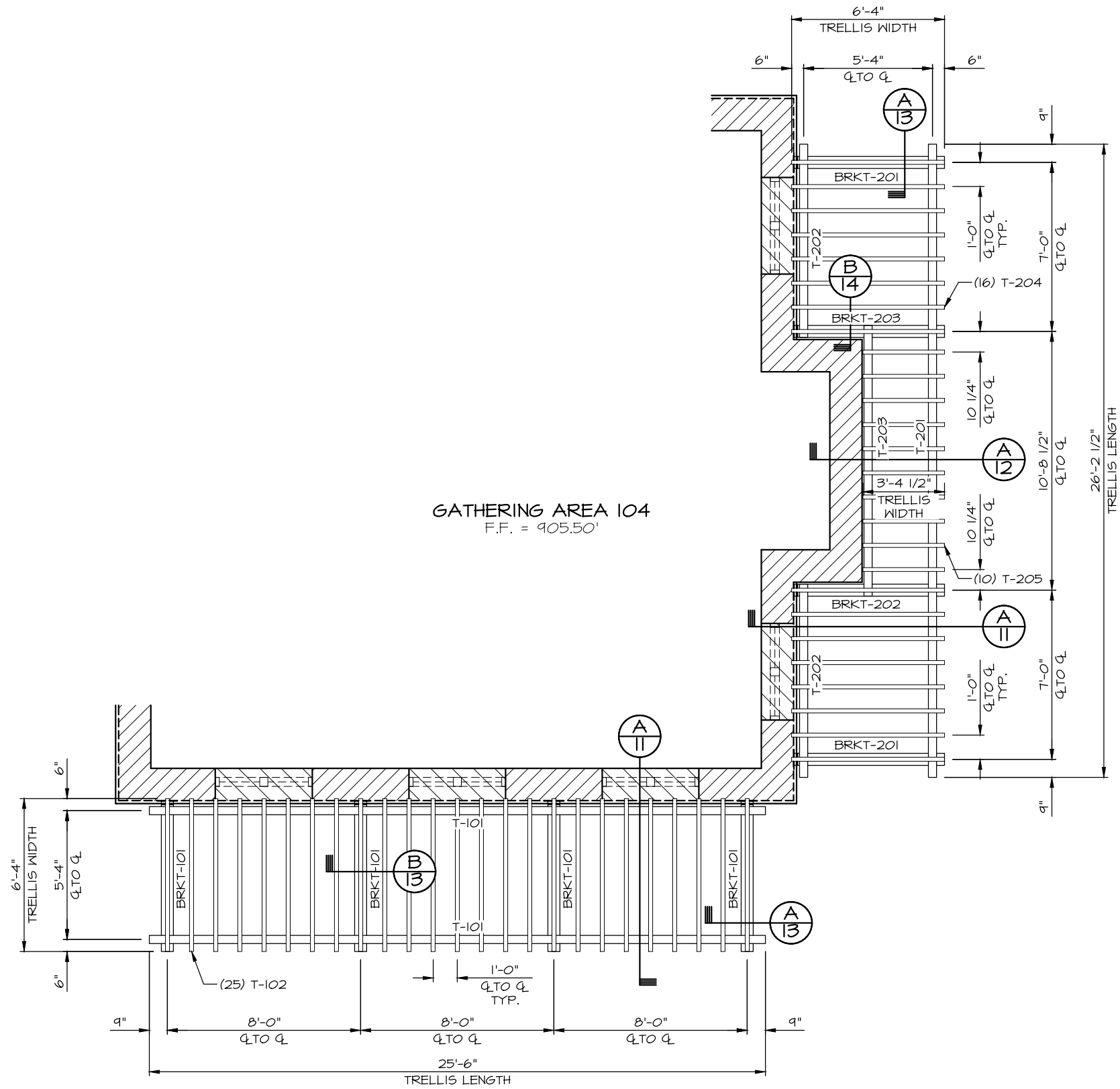
DATE: 8-24-12


JOB #

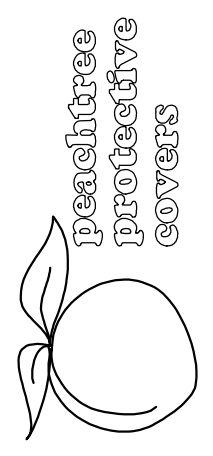
5422

SHT 3 OF 16

Drawing: 5422-FF.dwg Layout: 4
 Plotted: Dec 12, 2012 - 4:05am By: rbailey




TRELLIS PLAN VIEW
 SCALE: 3/16" = 1'-0" TRELLIS A & B
 (REF. F1/A113)



1477 ROSEDALE DRIVE PHONE (770) 439-2120
 HIRAM, GA 30141 FAX (770) 439-2122

JOB NAME: CEDARCREST CHURCH
 LOCATION: ACWORTH, GA
 ARCHITECT: CROFT AND ASSOCIATES
 CONTRACTOR: BRASFIELD & GORRIE GC

REVISIONS	

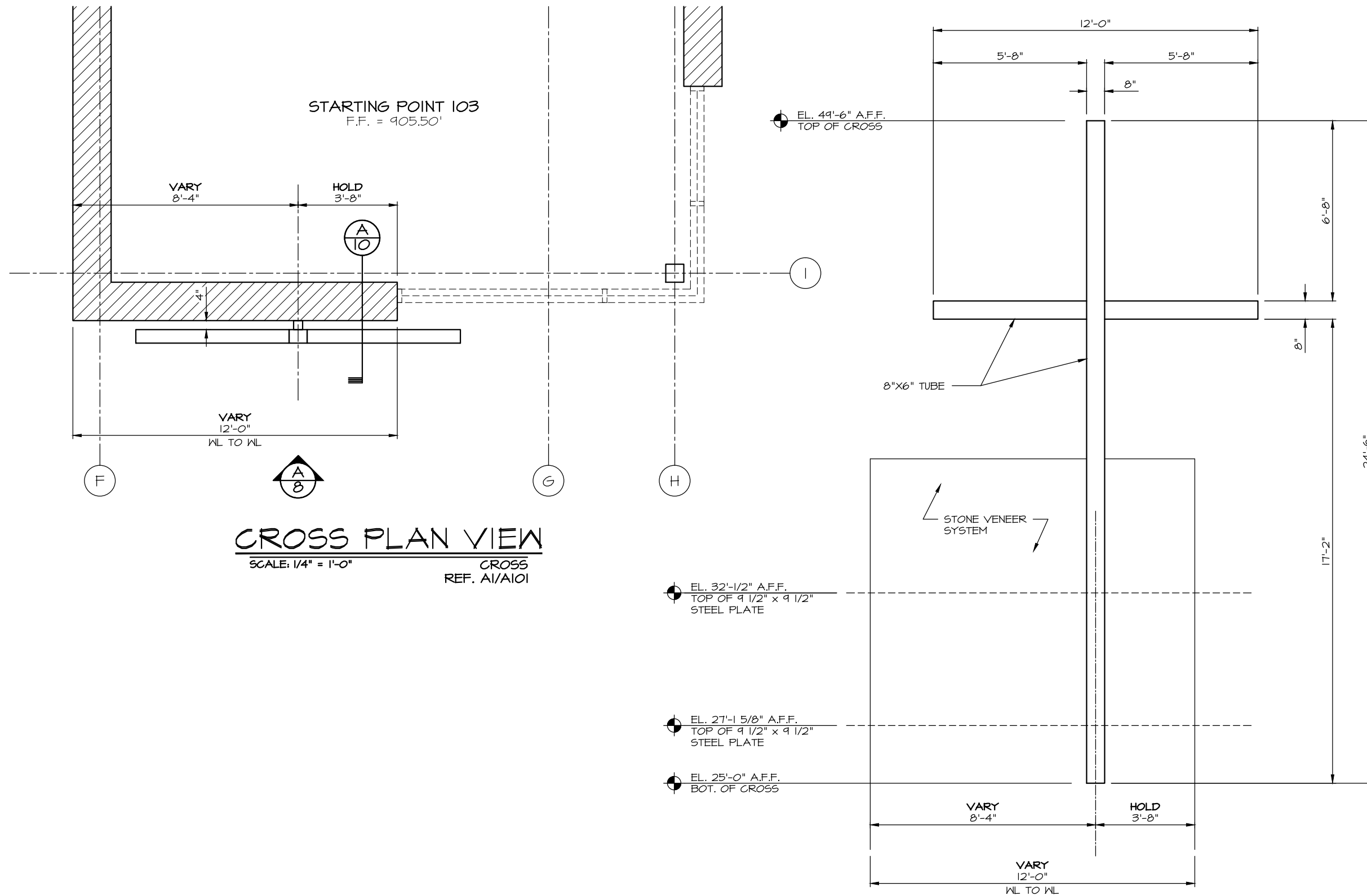
DRAWN: JTD

DATE: 8-24-12

JOB #
5422

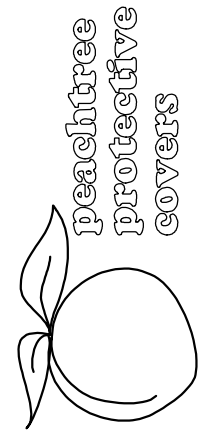
SHT 4 OF 16

Drawing: 5422-FF.dwg Layout: 5
 Plotted: Dec 12, 2012 - 4:05am By: rbailey



CROSS PLAN VIEW
 SCALE: 1/4" = 1'-0" CROSS REF. A1/A101

(A) ELEVATION
 5 CROSS REF. A1/A201, G17/A113, J9/A201, S301, 2/5603 & 1/5801



1477 ROSEDALE DRIVE PHONE (770) 439-2120
 HIRAM, GA 30141 FAX (770) 439-2122

JOB NAME: CEDARCREST CHURCH
 LOCATION: ACWORTH, GA
 ARCHITECT: CROFT AND ASSOCIATES
 CONTRACTOR: BRASFIELD & GORRIE GC

REVISIONS	

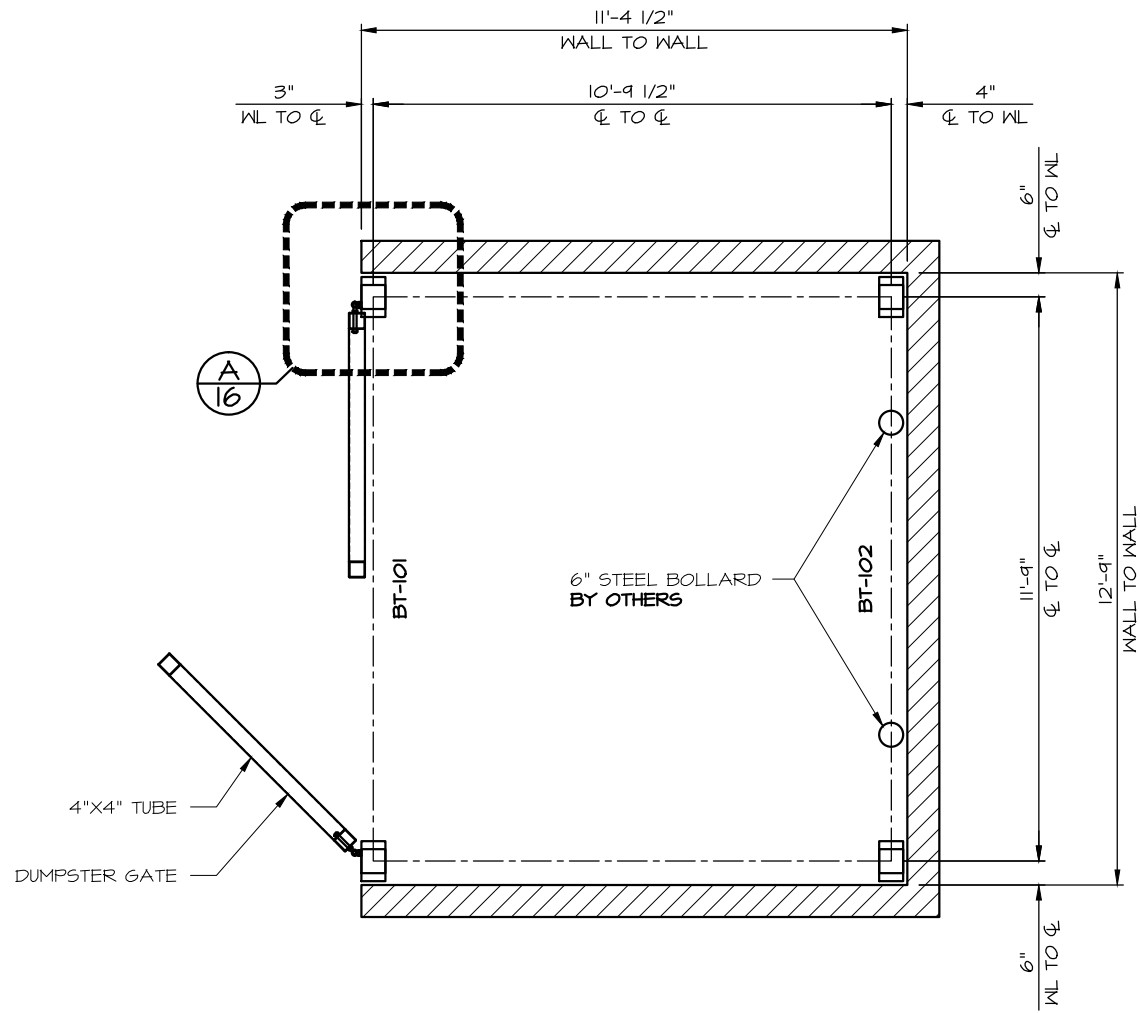
DRAWN: JTD

DATE: 8-24-12

JOB #
5422

SHT 5 OF 16

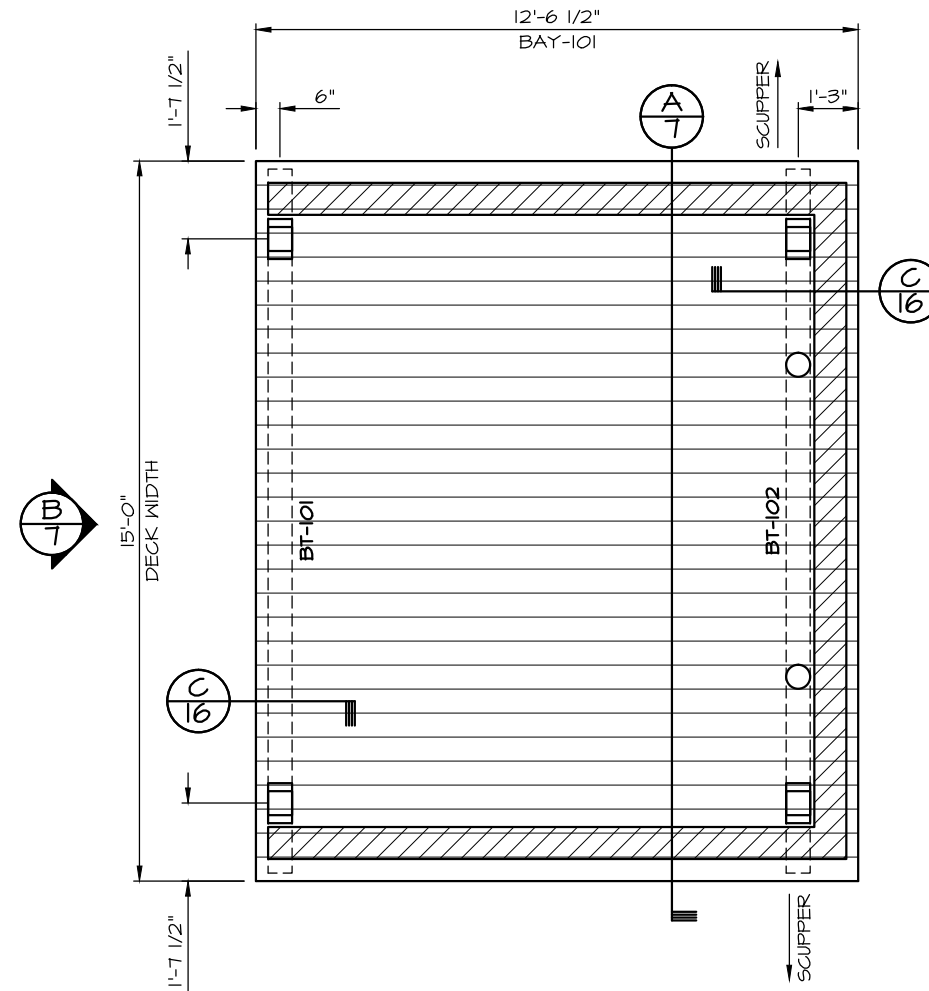
Drawing: 5422_FF.dwg Layout: 6
 Plotted: Dec 12, 2012 - 4:05am By: rbailey



COLUMN SETTING PLAN

SCALE: 1/4" = 1'-0"

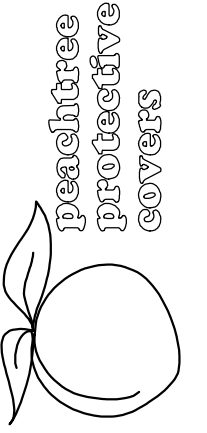
CANOPY A
(REF. C.B.O)



DECK PLAN

SCALE: 1/4" = 1'-0"

CANOPY A



1477 ROSEDALE DRIVE PHONE (770) 434-2120
 HIRAM, GA 30141 FAX (770) 434-2122

JOB NAME: CEDARCREST CHURCH

LOCATION: ACWORTH, GA

ARCHITECT: CROFT AND ASSOCIATES

CONTRACTOR: BRASFIELD & GORRIE GC

REVISIONS

DRAWN: JTD

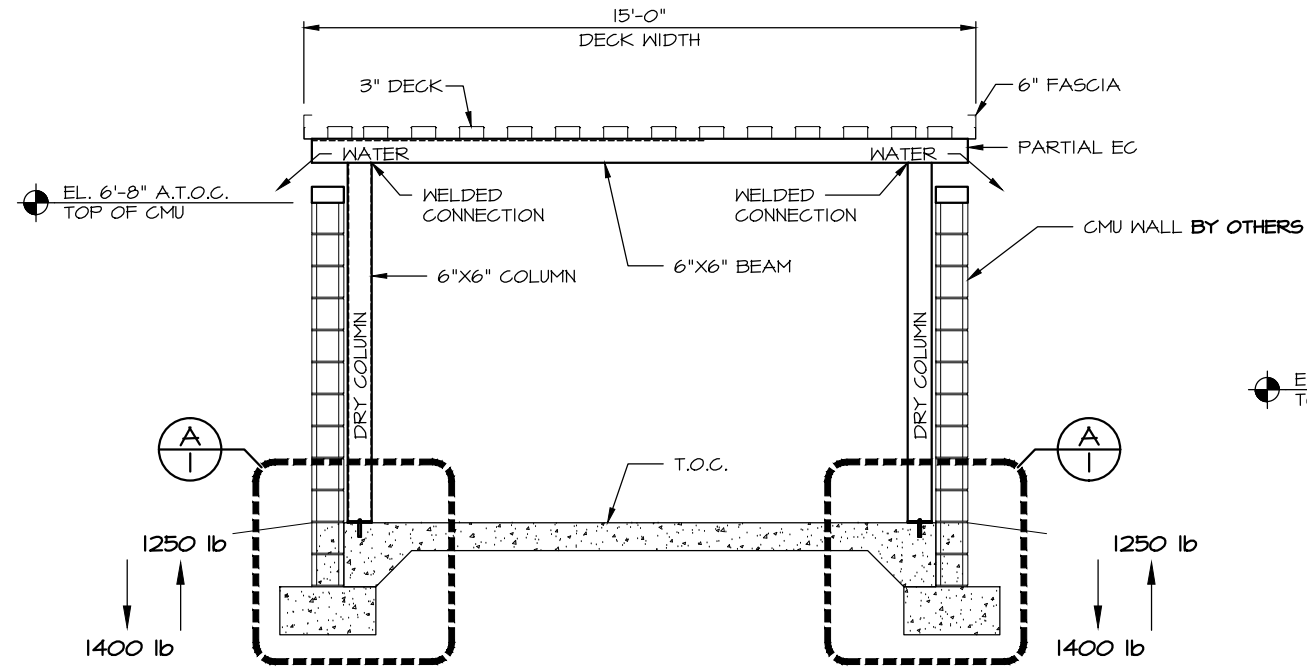
DATE: 8-24-12

JOB #

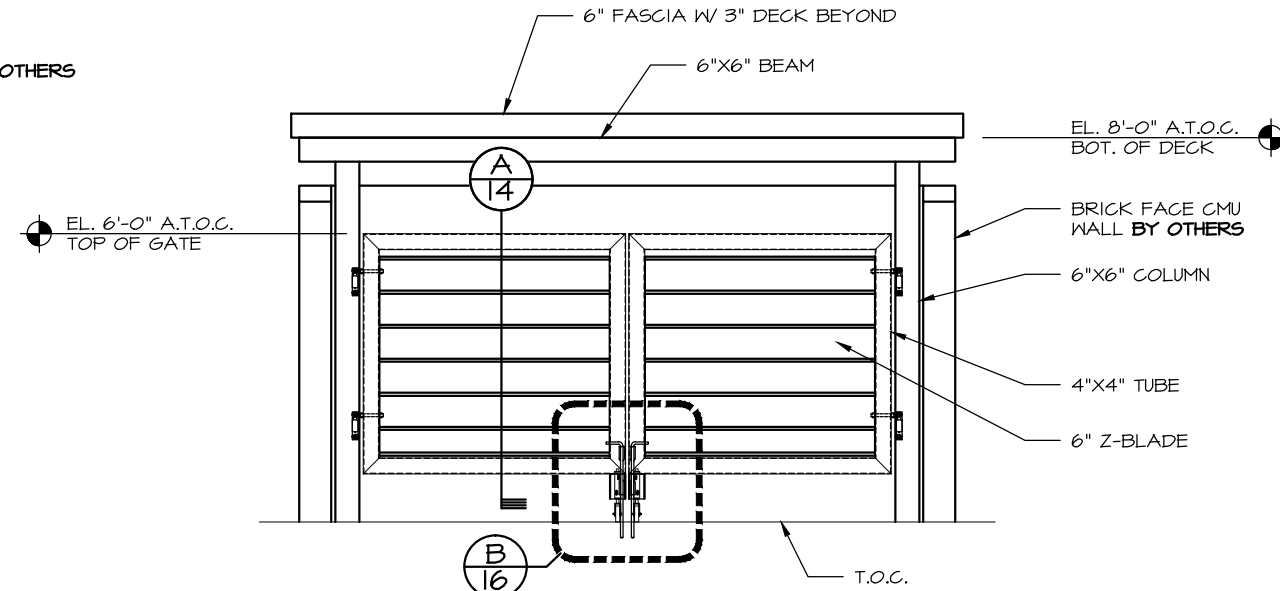
5422

SHT 6 OF 16

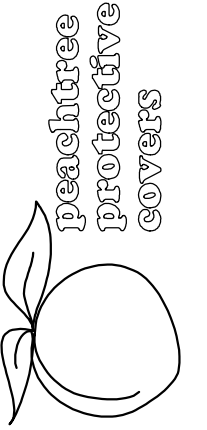
Drawing: 5422_FF.dwg Layout: 7 R1
 Plotted: Dec 12, 2012 - 4:05am By: rbailey



A
7 SECTION
 CANOPY A
 REF: C.B.O (SIM)



B
7 ELEVATION
 CANOPY A
 REF: NONE



1477 ROSEDALE DRIVE PHONE (770) 439-2120
 HIRAM, GA 30141 FAX (770) 439-2122

JOB NAME: CEDARCREST CHURCH
 LOCATION: ACWORTH, GA
 ARCHITECT: CROFT AND ASSOCIATES
 CONTRACTOR: BRASFIELD & GORRIE GC

REVISIONS

12/11/12 TG	

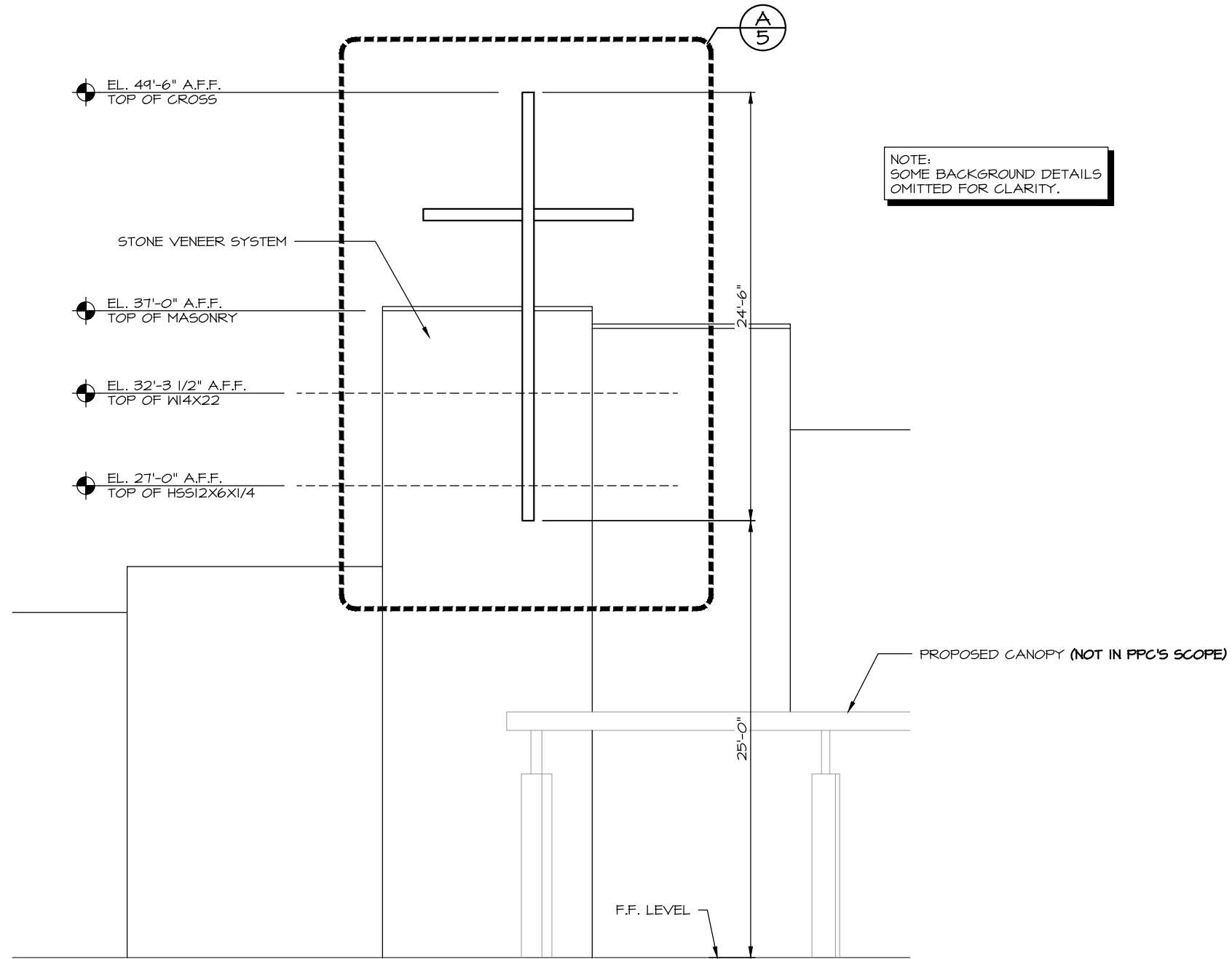
DRAWN: JTD

DATE: 8-24-12

JOB #
5422

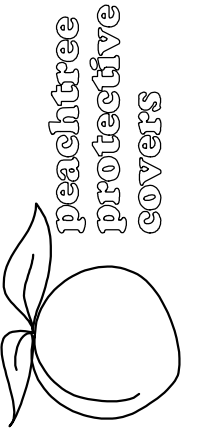
SHT 7 OF 16

Drawing: 5422_FF.dwg Layout: 8
 Plotted: Dec 12, 2012 - 4:05am By: rbailey



NOTE:
SOME BACKGROUND DETAILS
OMITTED FOR CLARITY.

A
8 ELEVATION
 CROSS
 REF: A1/A201, J9/A201, 5301, 2/5603 & 1/5801



1477 ROSEDALE DRIVE PHONE (770) 439-2120
 HIRAM, GA 30141 FAX (770) 439-2122

JOB NAME: CEDARGREST CHURCH
 LOCATION: ACWORTH, GA
 ARCHITECT: CROFT AND ASSOCIATES
 CONTRACTOR: BRASFIELD & GORRIE GC

REVISIONS	

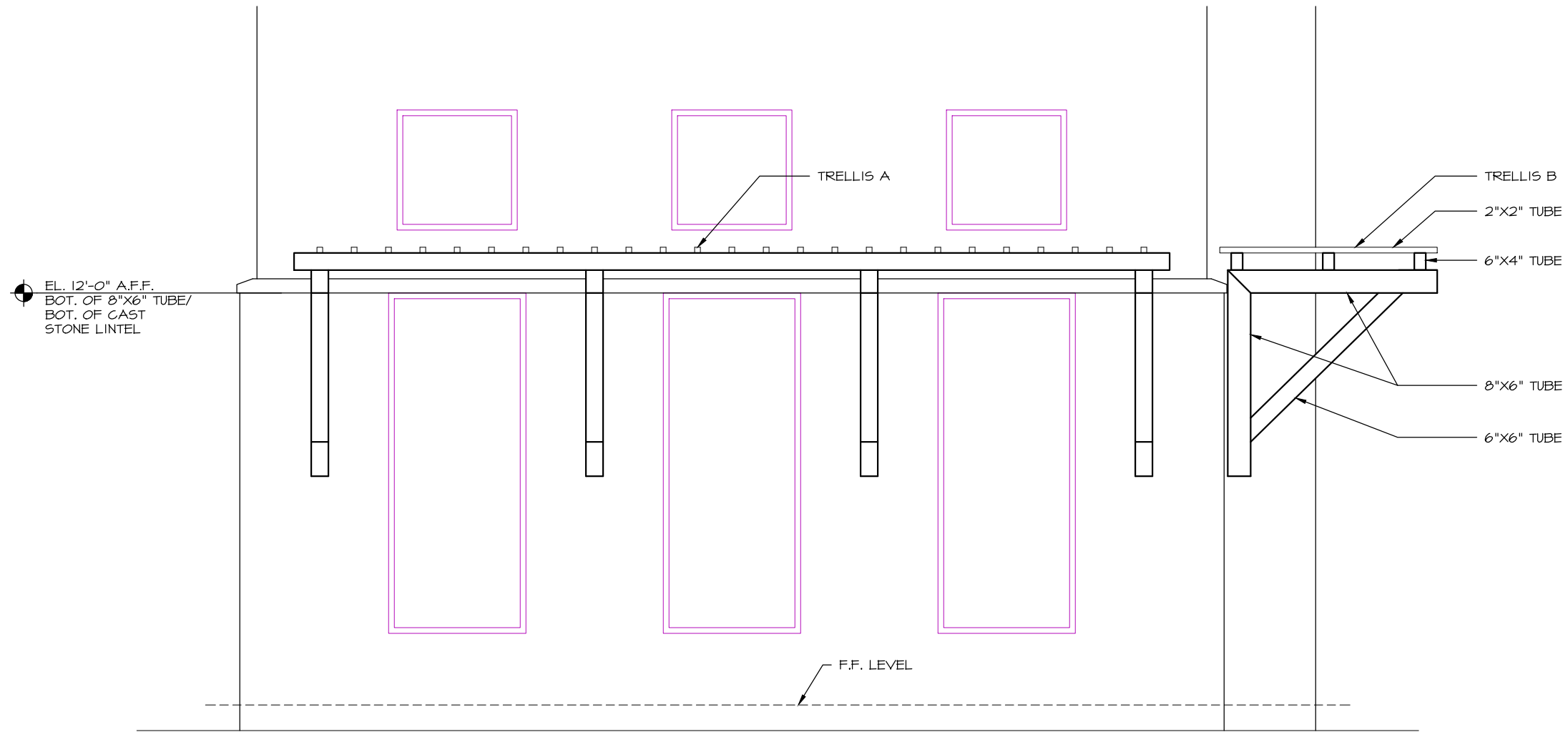
DRAWN: JTD

DATE: 8-24-12

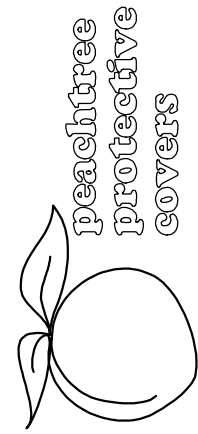
JOB #
5422

SHT **8** OF 16

Drawing: 5422_FF.dwg Layout: 1
 Plotted: Dec 12, 2012 - 4:05am By: rbailey



A
9 ELEVATION
 TRELLISES A & B
 REF: A1/A201

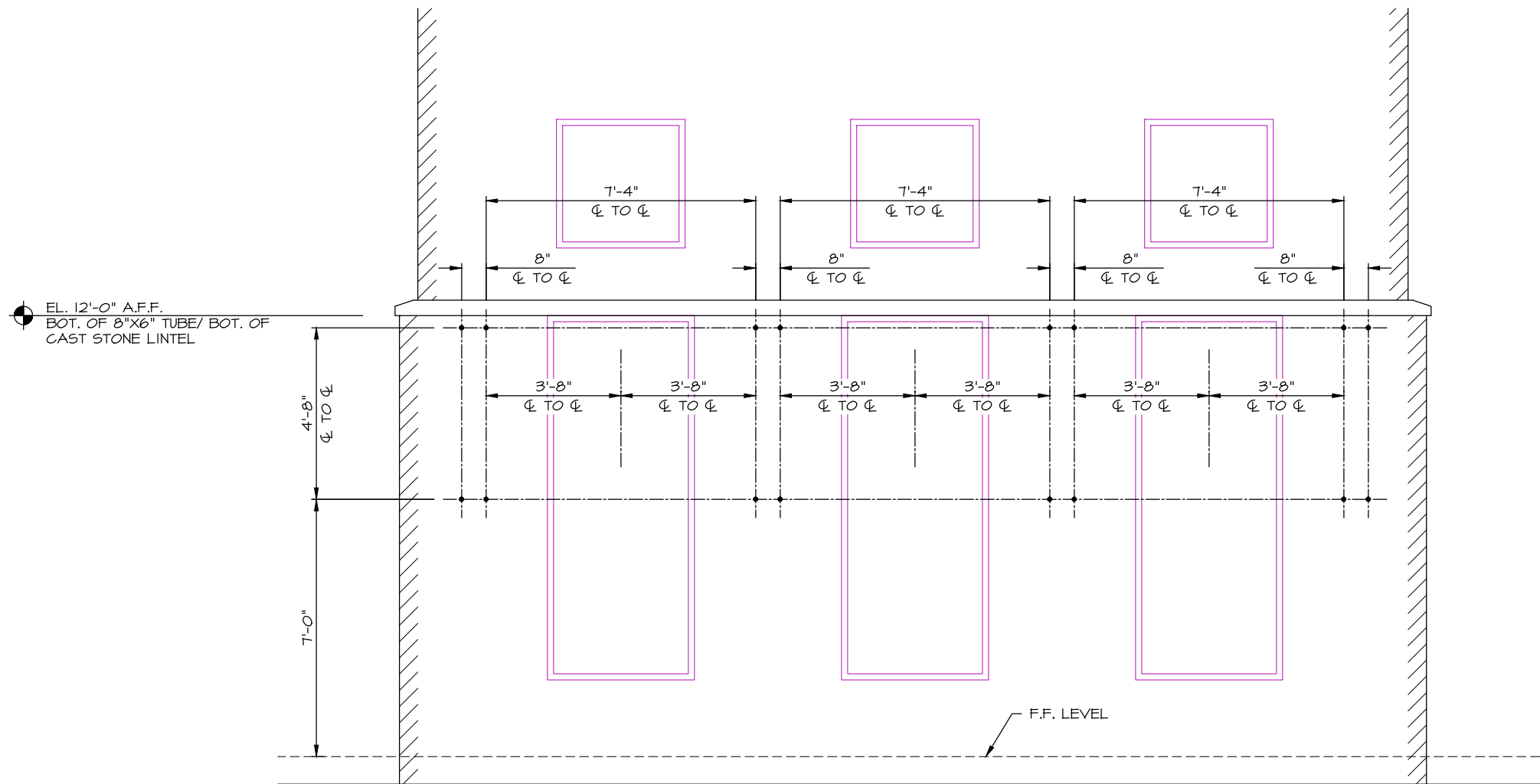


peachtree protective covers
 1477 ROSEDALE DRIVE HIRAM, GA 30141
 PHONE (770) 439-2120 FAX (770) 439-2122

JOB NAME: CEDARCREST CHURCH
 LOCATION: ACWORTH, GA
 ARCHITECT: CROFT AND ASSOCIATES
 CONTRACTOR: BRASFIELD & GORRIE GC

REVISIONS	
DRAWN: JTD	
DATE: 8-24-12	
JOB #	
5422	
SHT 9 OF 16	

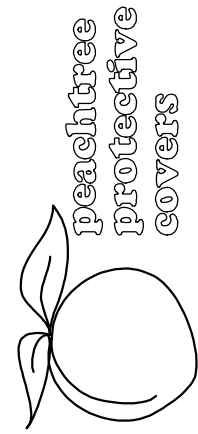
Drawing: 5422_FF.dwg Layout: 4A
 Plotted: Dec 12, 2012 - 4:05am By: rbailey



BOLT SETTING ELEVATION

SCALE: 1/4" = 1'-0"

TRELLIS A



peachtree
protective
covers

1477 ROSEDALE DRIVE PHONE (770) 439-2120
 HIRAM, GA 30141 FAX (770) 439-2122

JOB NAME: CEDARCREST CHURCH

LOCATION: ACWORTH, GA

ARCHITECT: CROFT AND ASSOCIATES

CONTRACTOR: BRASFIELD & GORRIE GC

REVISIONS

DRAWN: JTD

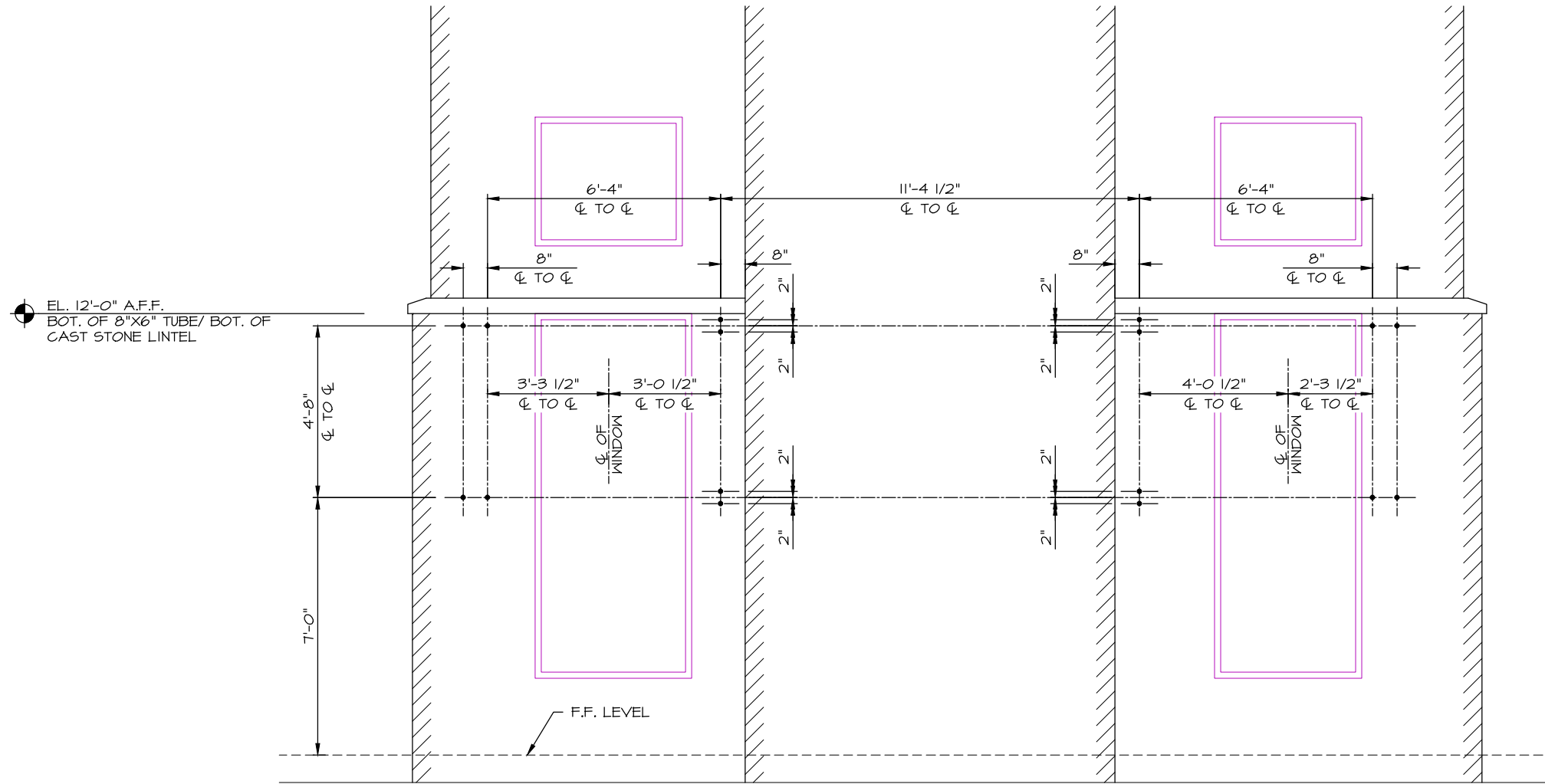
DATE: 8-24-12

JOB #

5422

SHT 9A OF 16

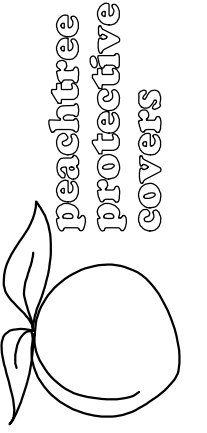
Drawing: 5422_FF.dwg Layout: 4B
 Plotted: Dec 12, 2012 - 4:05am By: rbailey



BOLT SETTING ELEVATION

SCALE: 1/4" = 1'-0"

TRELLIS B



peachtree
 protective
 covers

1477 ROSEDALE DRIVE PHONE (770) 439-2120
 HIRAM, GA 30141 FAX (770) 439-2122

JOB NAME: CEDARCREST CHURCH

LOCATION: ACWORTH, GA

ARCHITECT: CROFT AND ASSOCIATES

CONTRACTOR: BRASFIELD & GORRIE GC

REVISIONS

DRAWN: JTD

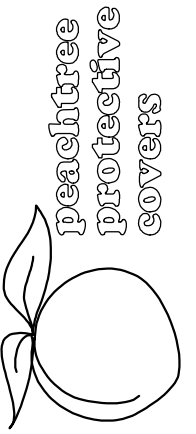
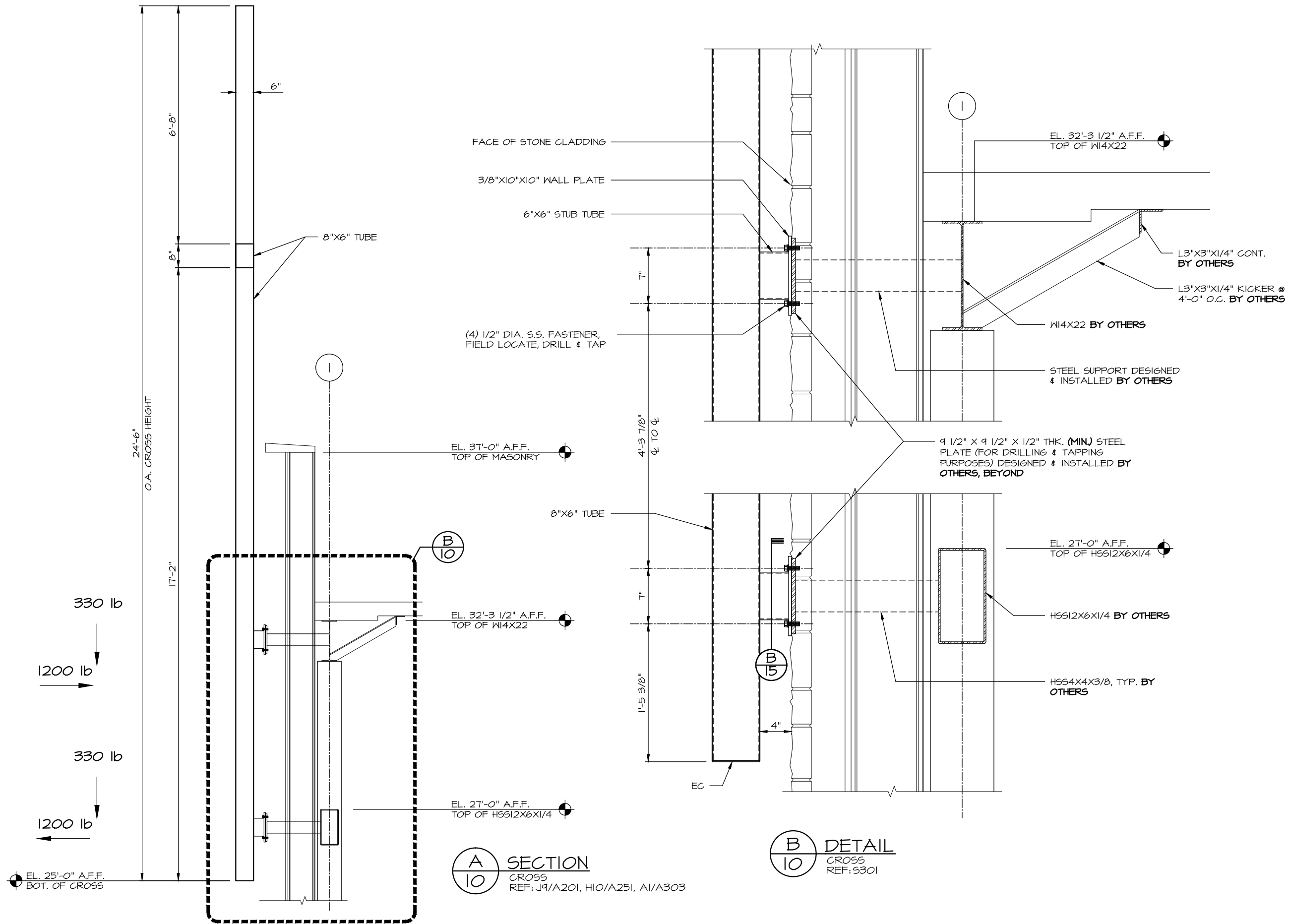
DATE: 8-24-12

JOB #

5422

SHT 9B OF 16

Drawing: 5422-FF.dwg Layout: 10 RI
 Plotted: Dec 12, 2012 - 4:05am By: rbailey



1477 ROSEDALE DRIVE PHONE (770) 439-2120
 HIRAM, GA 30141 FAX (770) 439-2122

JOB NAME: CEDARCREST CHURCH
 LOCATION: ACWORTH, GA
 ARCHITECT: CROFT AND ASSOCIATES
 CONTRACTOR: BRASFIELD & GORRIE GC

REVISIONS

12/11/12 TG	

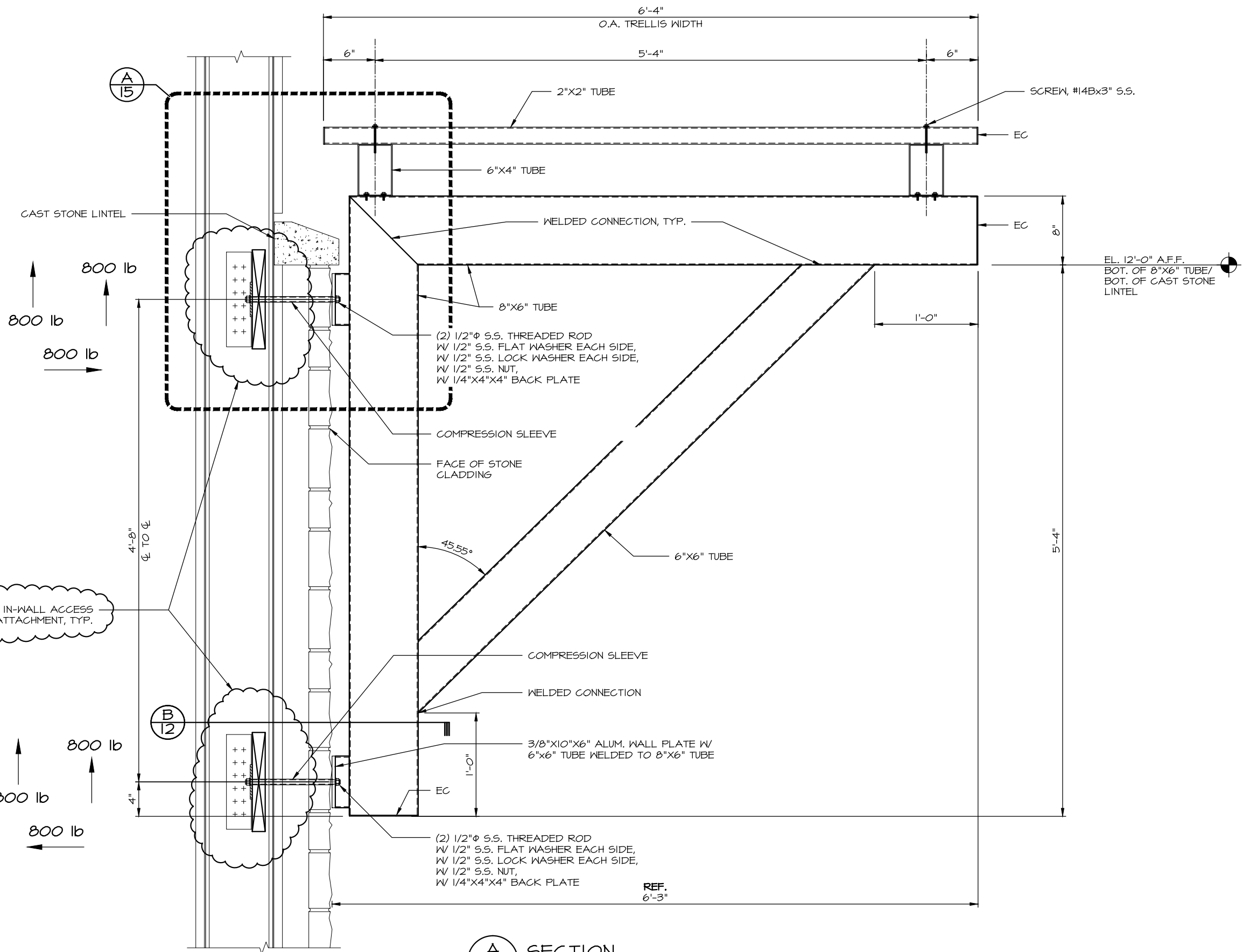
DRAWN: JTD

DATE: 8-24-12

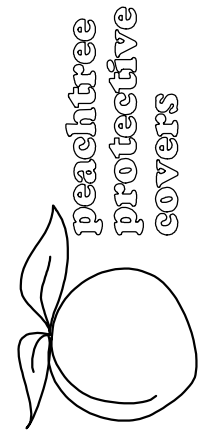
JOB #
 5422

SHT 10 OF 16

Drawing: 5422-FF.dwg Layout: II RI
 Plotted: Dec 12, 2012 - 4:05pm By: rbailey



A
 SECTION
 II
 TRELLISES A & B
 REF: A1/A113 & A1/A304

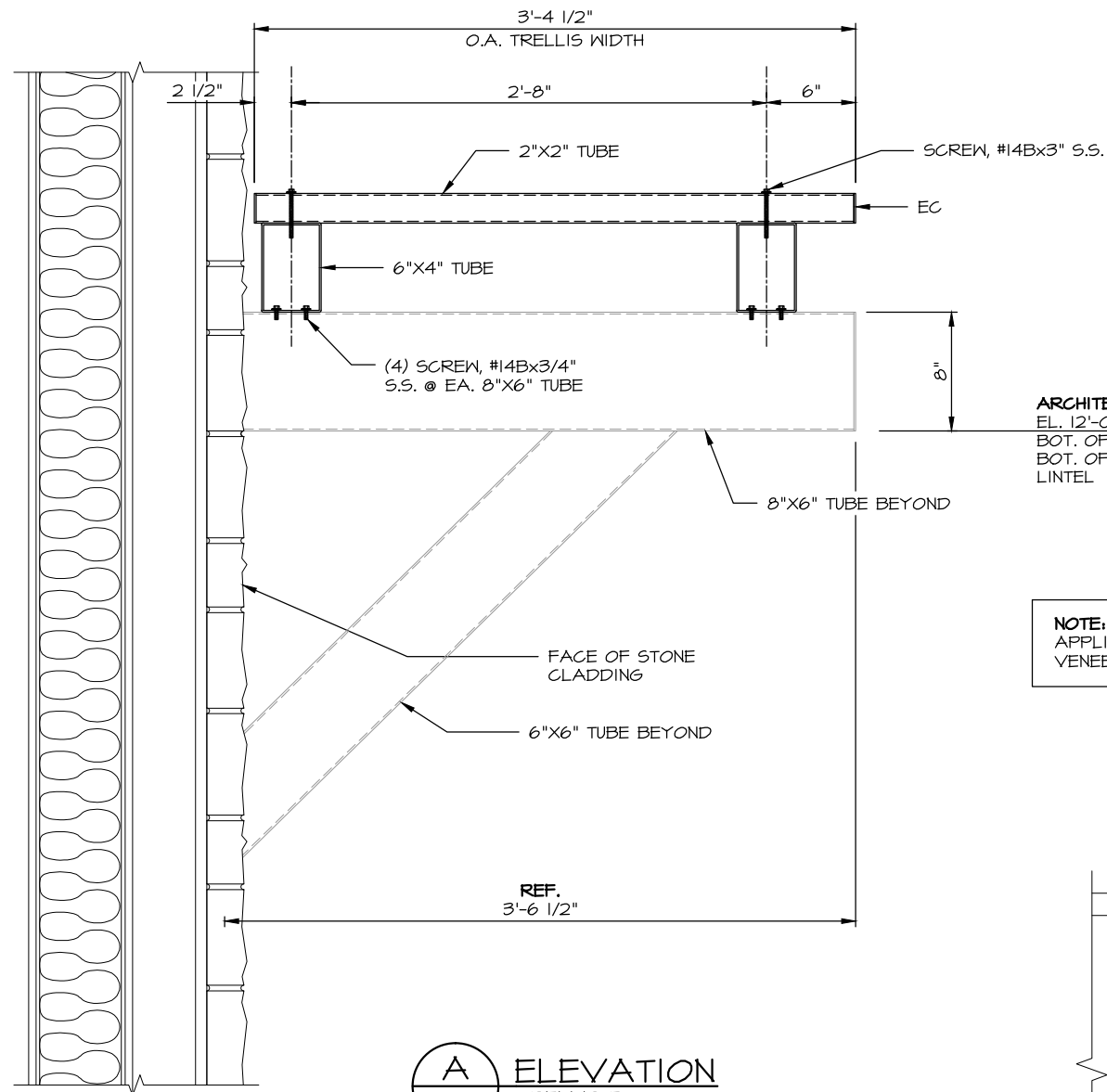


peachtree protective covers
 1477 ROSEDALE DRIVE PHONE (770) 439-2120
 HIRAM, GA 30141 FAX (770) 439-2122

JOB NAME: CEDARGREST CHURCH
 LOCATION: ACWORTH, GA
 ARCHITECT: CROFT AND ASSOCIATES
 CONTRACTOR: BRASFIELD & GORRIE GC

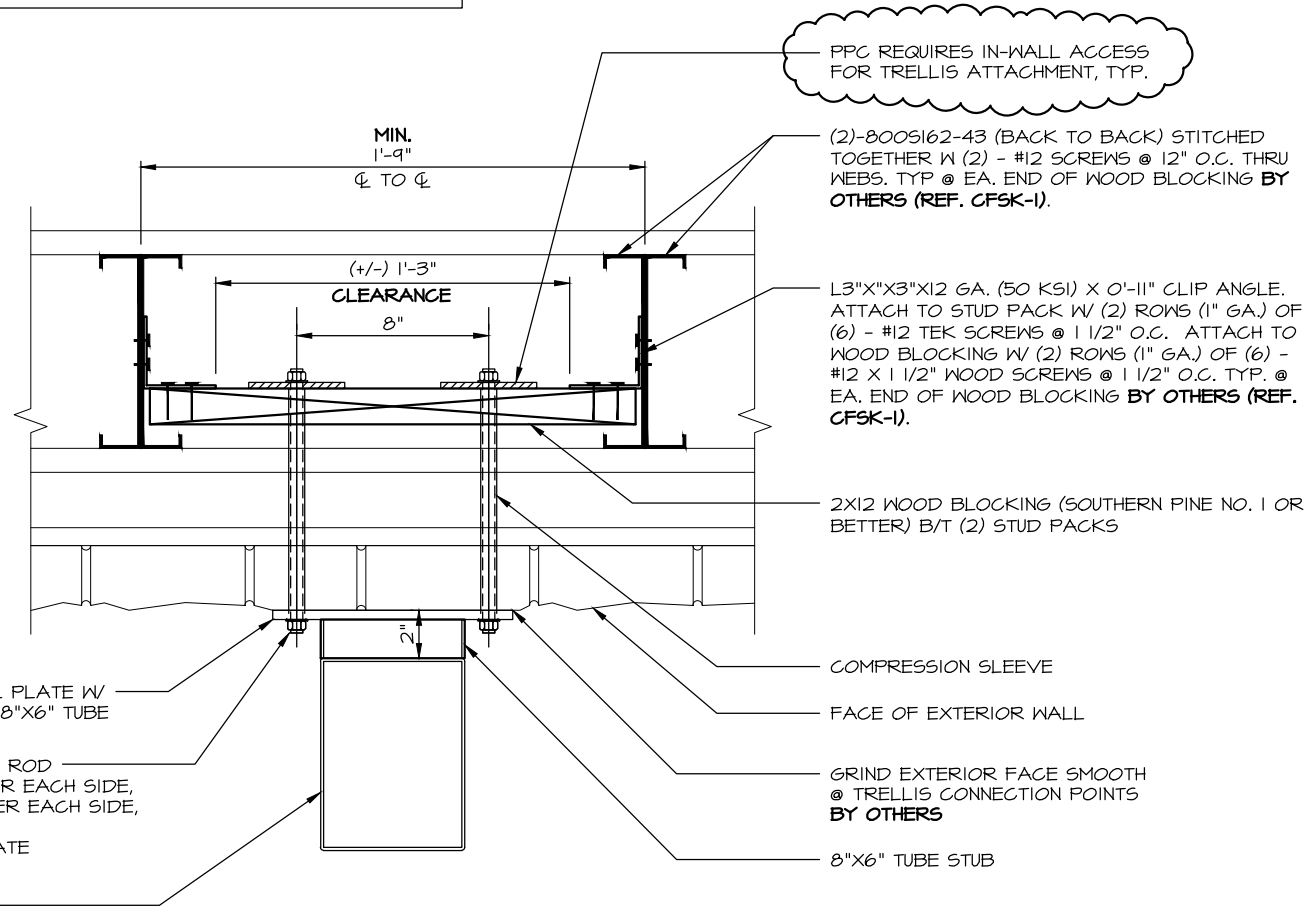
REVISIONS	
12/11/12 TG	
DRAWN: JTD	
DATE: 8-24-12	
JOB #	
5422	
SHT 11 OF 16	

Drawing: 5422-FF.dwg Layout: 12 RI
 Plotted: Dec 12, 2012 - 4:05pm By: rbailey

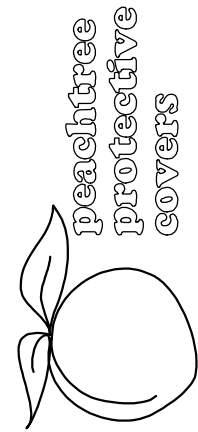


A
12
ELEVATION
 TRELLIS B
 REF: A1/A113 (SIM.) & A1/A304

NOTE: STONE VENEER IS CULTURED STONE
 APPLIED DIRECTLY TO EXTERIOR SHEATHING.
 VENEER THICKNESS IS 1 1/2" TO 2 1/2", TYP.



B
12
SECTION
 CANOPY A
 REF: CFSK-1



1477 ROSEDALE DRIVE PHONE (770) 434-2120
 HIRAM, GA 30141 FAX (770) 434-2122

JOB NAME: CEDARCREST CHURCH

LOCATION: ACWORTH, GA

ARCHITECT: CROFT AND ASSOCIATES

CONTRACTOR: BRASFIELD & GORRIE GC

REVISIONS

12/11/12 TG	

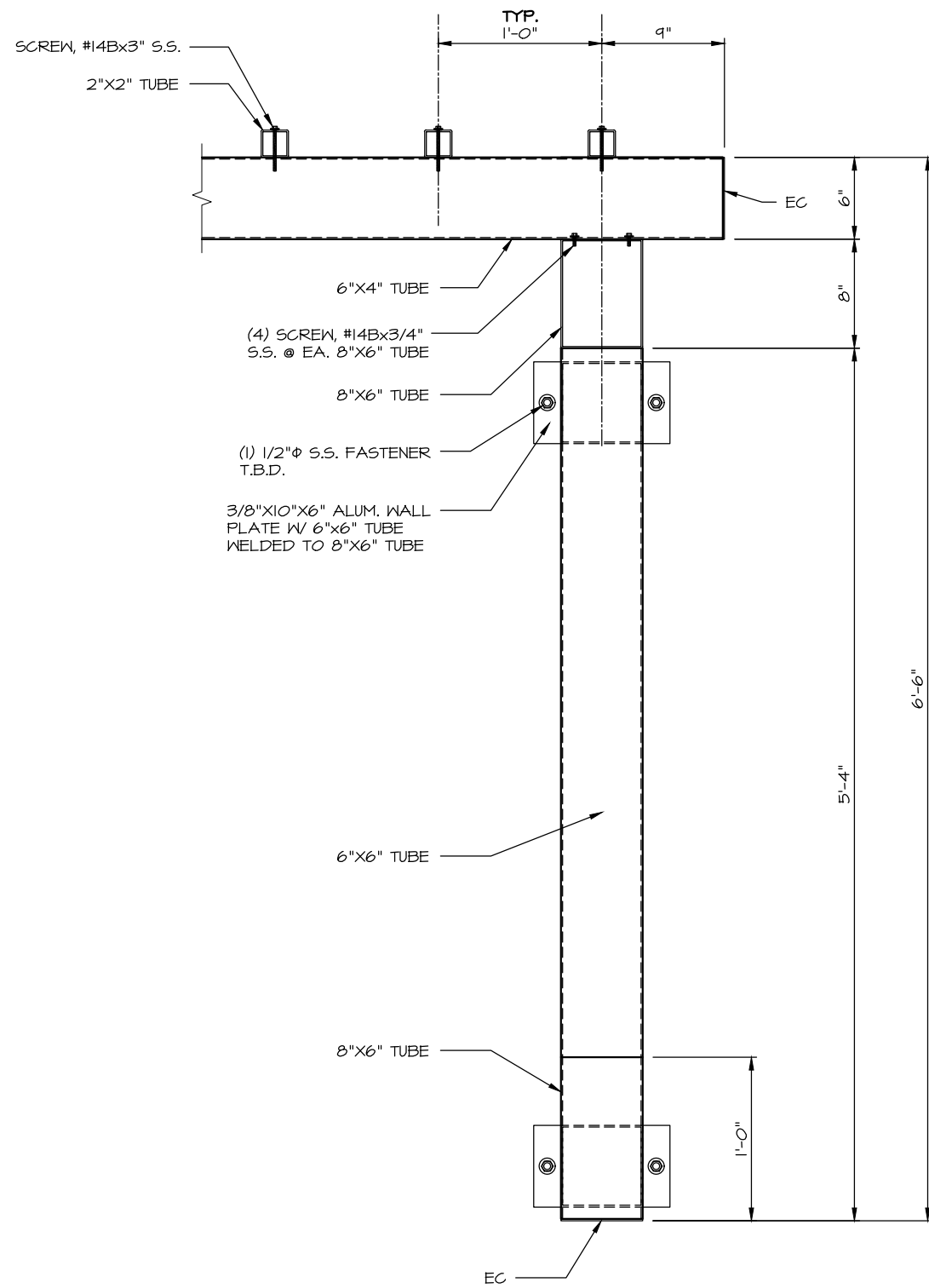
DRAWN: JTD

DATE: 8-24-12

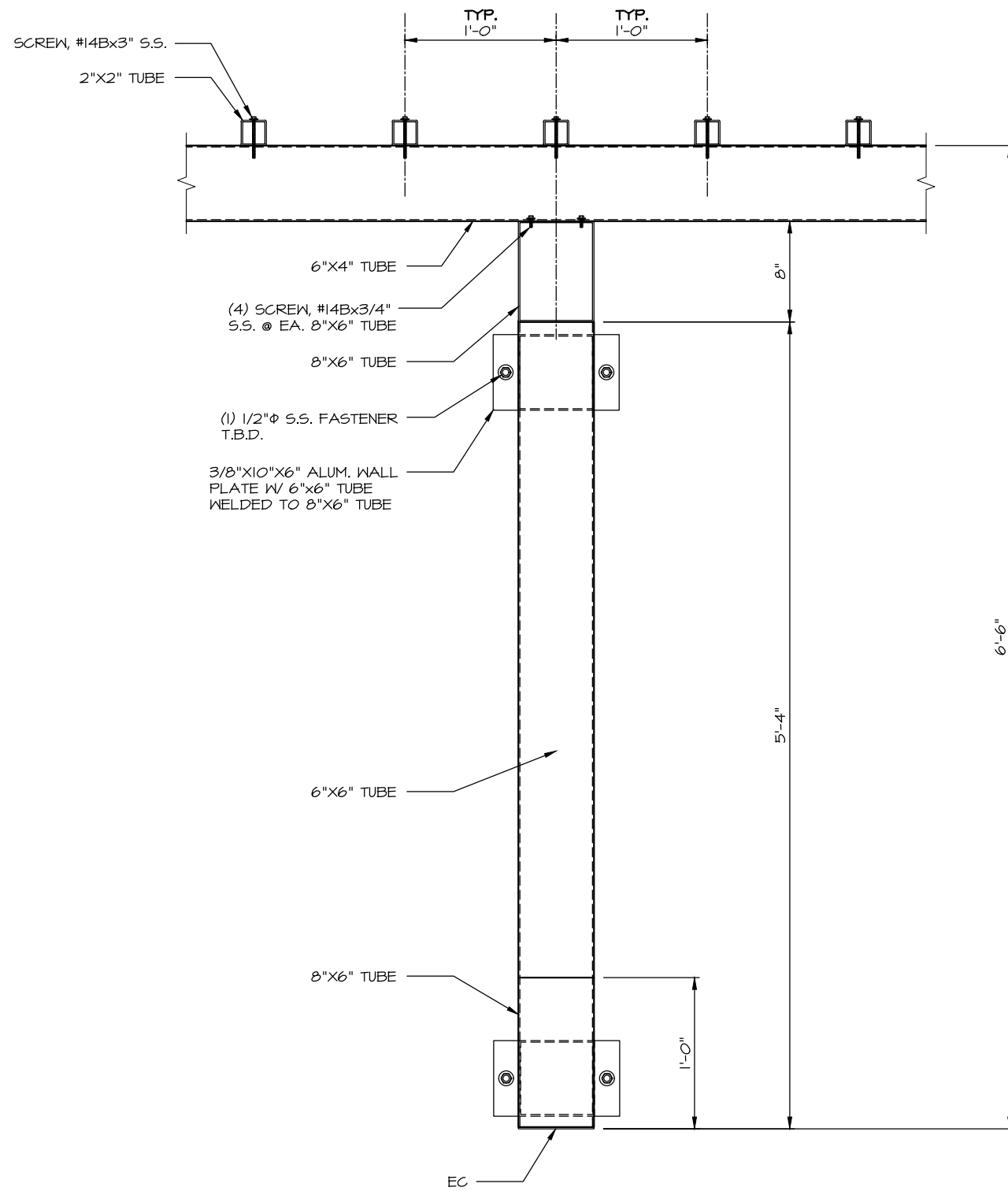
JOB #
5422

SHT 12 OF 16

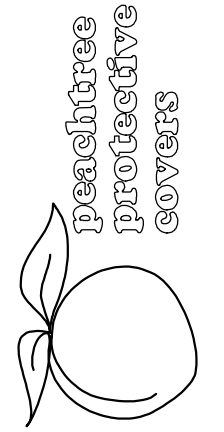
Drawing: 5422-FF.dwg Layout: 13
 Plotted: Dec 12, 2012 - 4:05am By: rbailey



A
13 SECTION
 TRELLISES A & B
 REF: NONE



B
13 SECTION
 TRELLISES A & B
 REF: NONE



1477 ROSEDALE DRIVE PHONE (770) 439-2120
 HIRAM, GA 30141 FAX (770) 439-2122

JOB NAME: CEDARCREST CHURCH
 LOCATION: ACWORTH, GA
 ARCHITECT: CROFT AND ASSOCIATES
 CONTRACTOR: BRASFIELD & GORRIE GC

REVISIONS

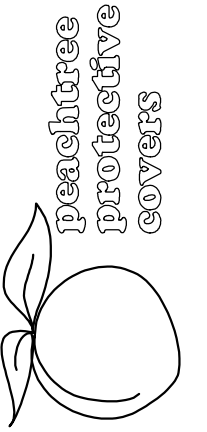
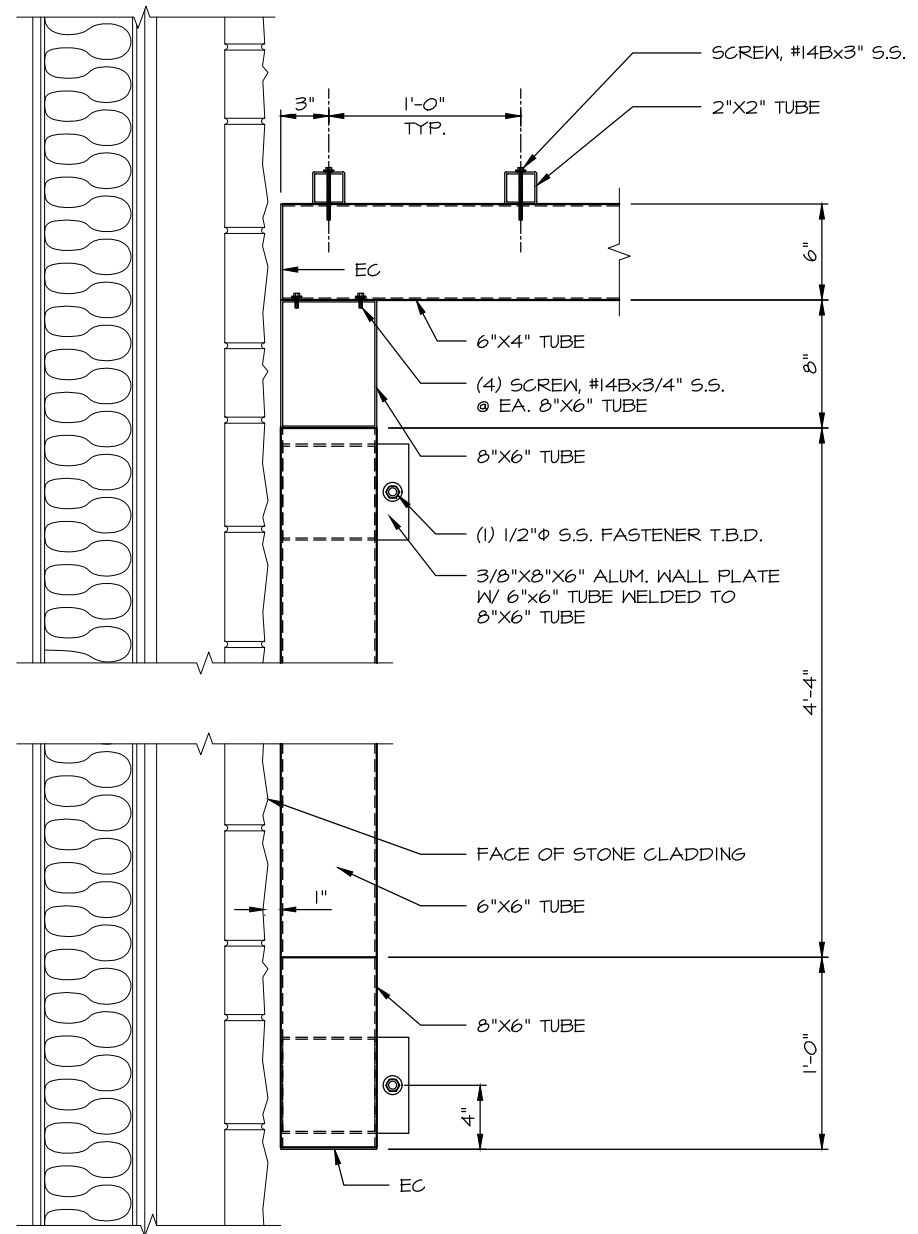
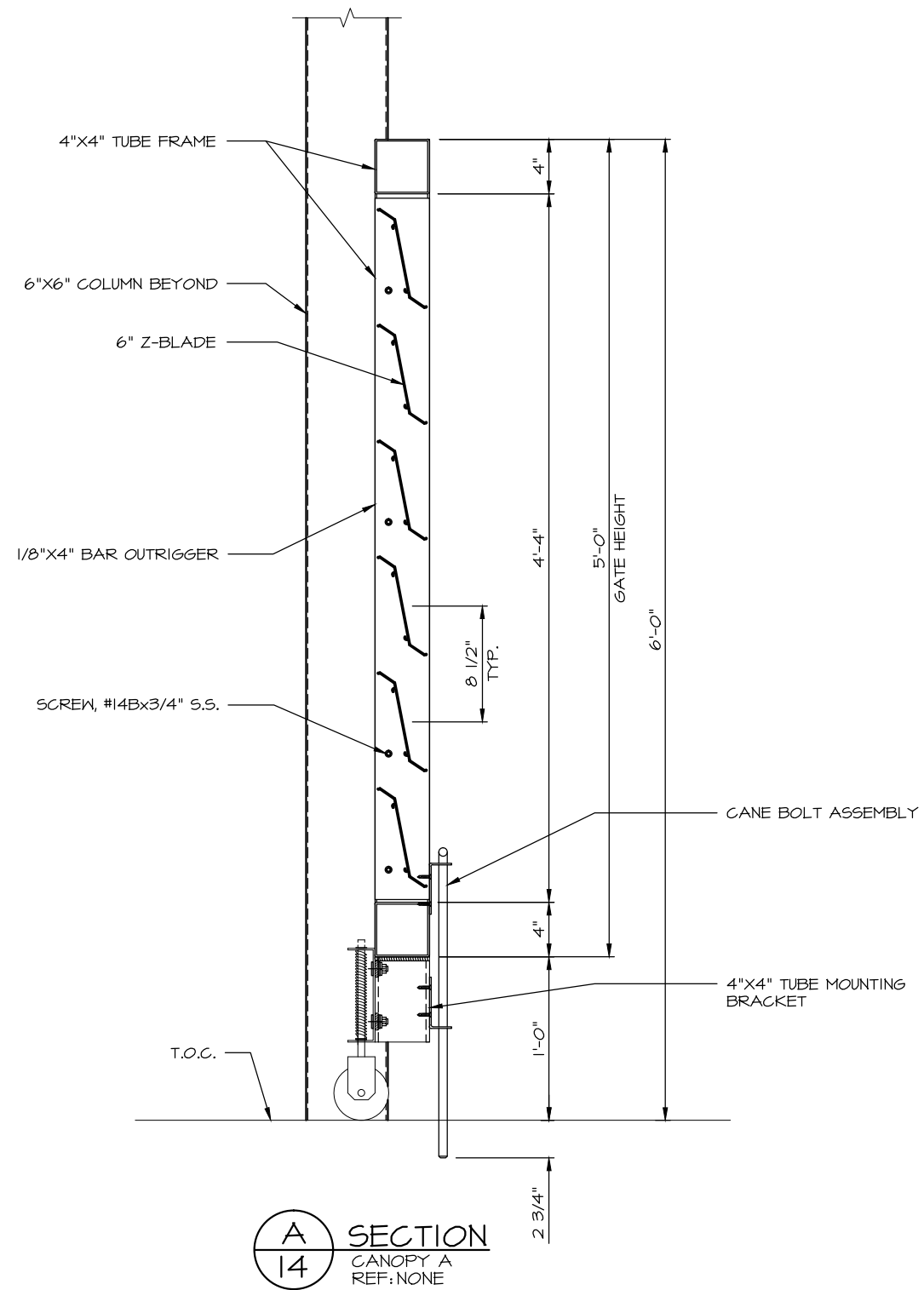
DRAWN: JTD

DATE: 8-24-12

JOB #
5422

SHT 13 OF 16

Drawing: 5422_FF.dwg Layout: 14 RI
 Plotted: Dec 12, 2012 - 4:05am By: rbailey



1477 ROSEDALE DRIVE PHONE (770) 439-2120
 HIRAM, GA 30141 FAX (770) 439-2122

JOB NAME: CEDARCREST CHURCH
 LOCATION: ACWORTH, GA
 ARCHITECT: CROFT AND ASSOCIATES
 CONTRACTOR: BRASFIELD & GORRIE GC

REVISIONS

12/11/12 TG	

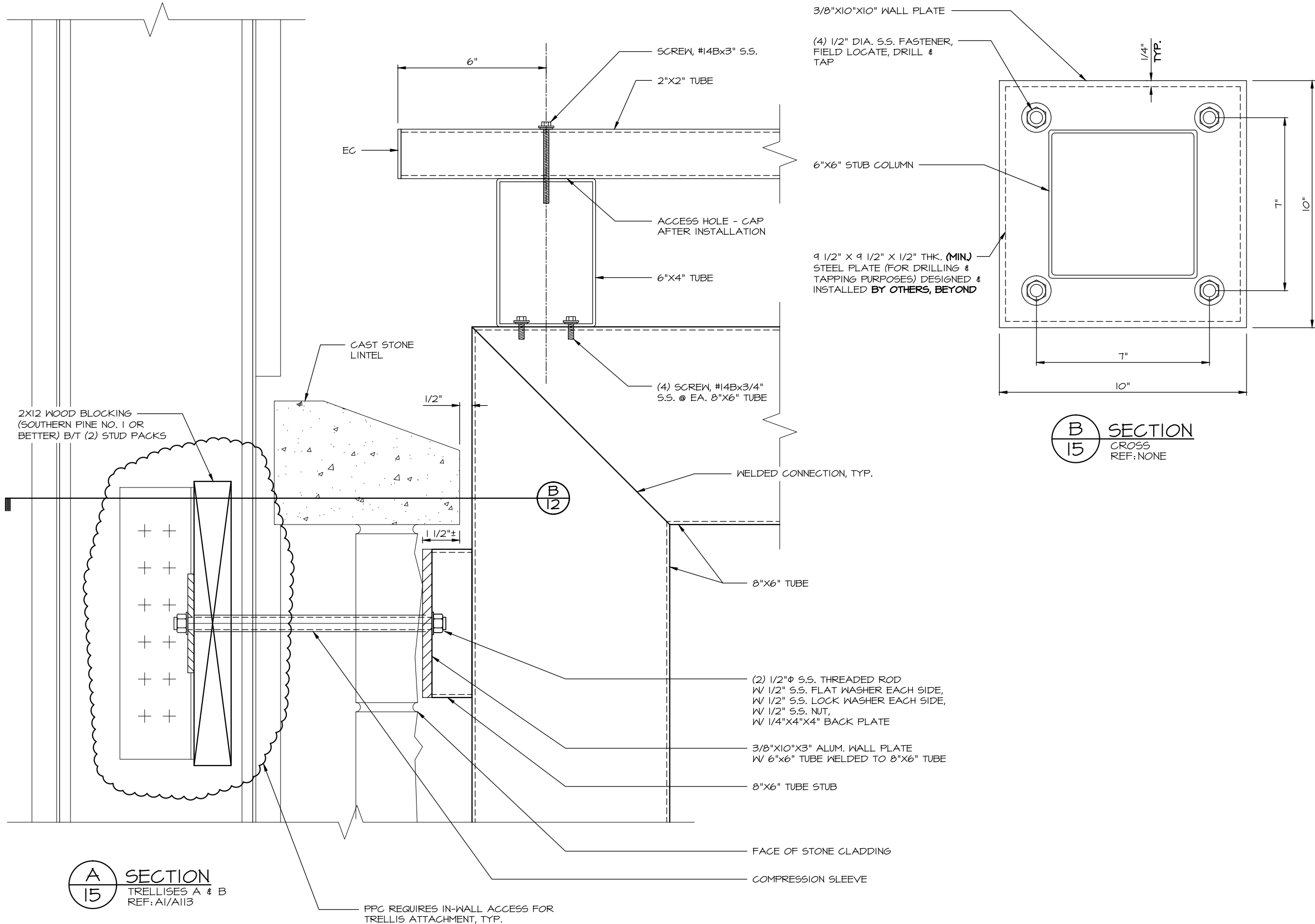
DRAWN: JTD

DATE: 8-24-12

JOB #
5422

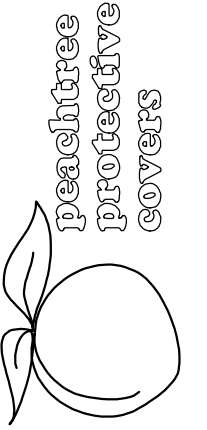
SHT 14 OF 16

Drawing: 5422-FF.dwg Layout: 15 RI
 Plotted: Dec 12, 2012 - 4:05am By: rbailey



A
 15 SECTION
 TRELLISES A & B
 REF: A1/A113

B
 15 SECTION
 CROSS
 REF: NONE



1477 ROSEDALE DRIVE PHONE (770) 439-2120
 HIRAM, GA 30141 FAX (770) 439-2122

JOB NAME: CEDARCREST CHURCH
 LOCATION: ACWORTH, GA
 ARCHITECT: CROFT AND ASSOCIATES
 CONTRACTOR: BRASFIELD & GORRIE GC

REVISIONS

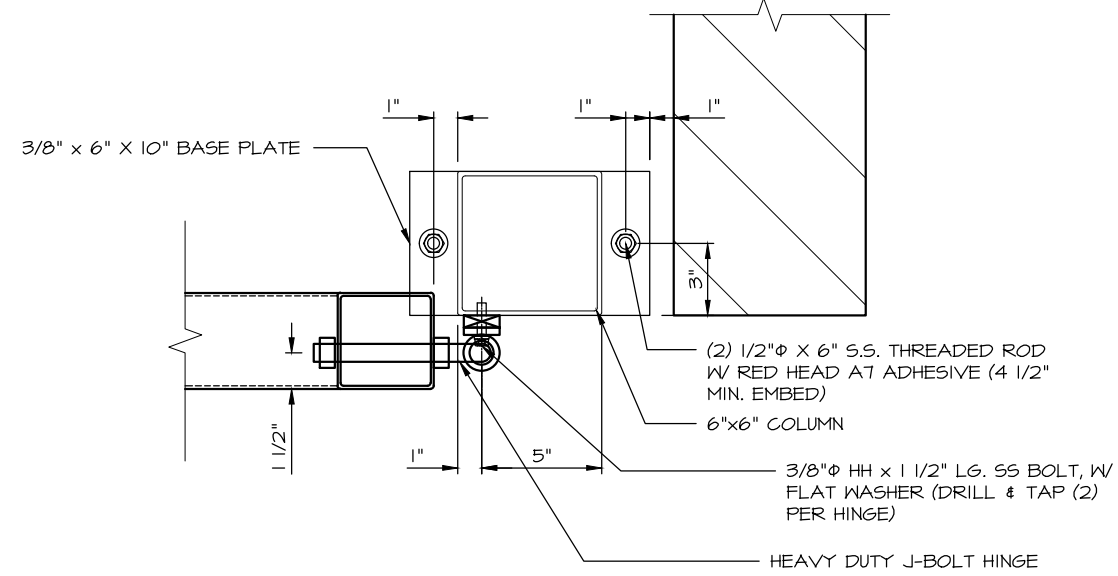
12/11/12 TG	

DRAWN: JTD

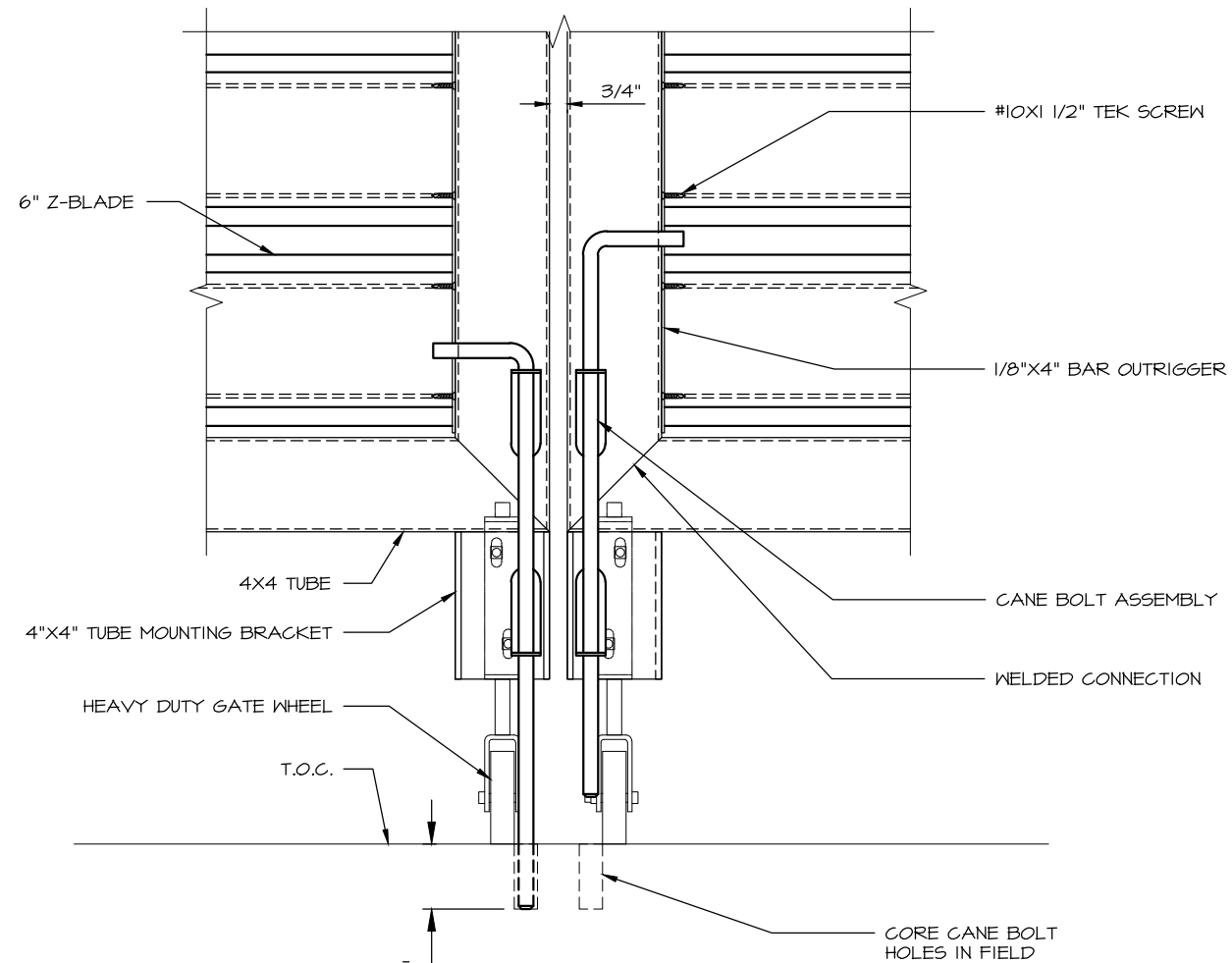
DATE: 8-24-12

JOB #
5422

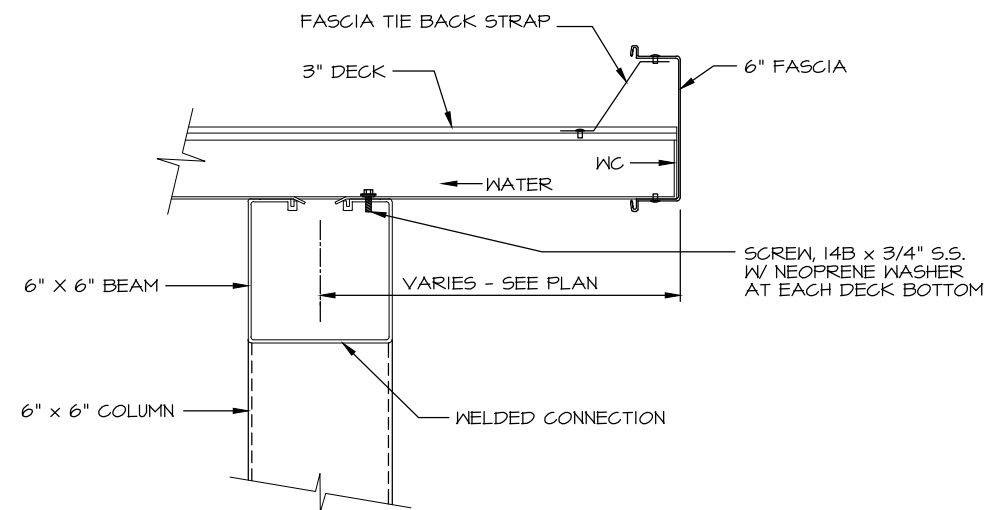
SHT 15 OF 16



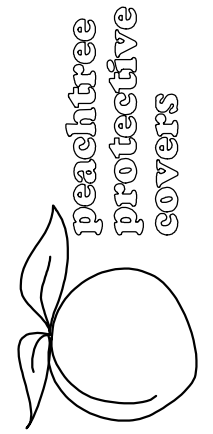
A
16
DETAIL
CANOPY A
REF: C.B.O



B
16
DETAIL
CANOPY A
REF: NONE



C
16
SECTION
CANOPY A
REF: NONE



14111 ROSEDALE DRIVE PHONE (770) 439-2120
HIRAM, GA 30141 FAX (770) 439-2122

JOB NAME: CEDARCREST CHURCH

LOCATION: ACWORTH, GA

ARCHITECT: CROFT AND ASSOCIATES

CONTRACTOR: BRASFIELD & GORRIE GC

REVISIONS

DRAWN: JTD

DATE: 8-24-12

JOB #

5422

SHT 16 OF 16