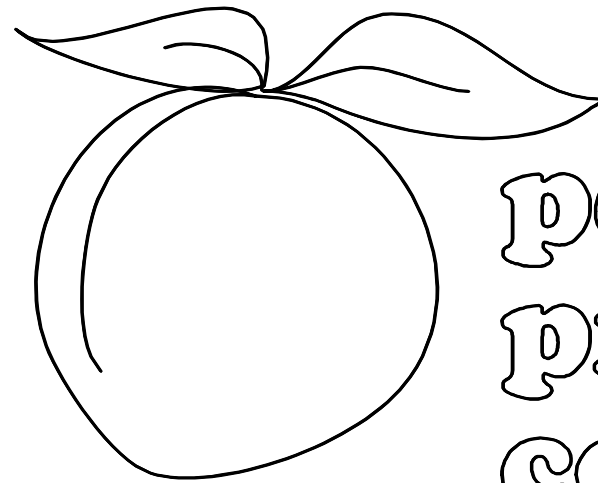


JOB # 3695



peachtree
protective
covers

CHENEY ELEMENTARY
SCHOOL

ORLANDO, FL

BY

REYNOLDS, SMITH AND HILLS, INC.

MARCH 15, 2006

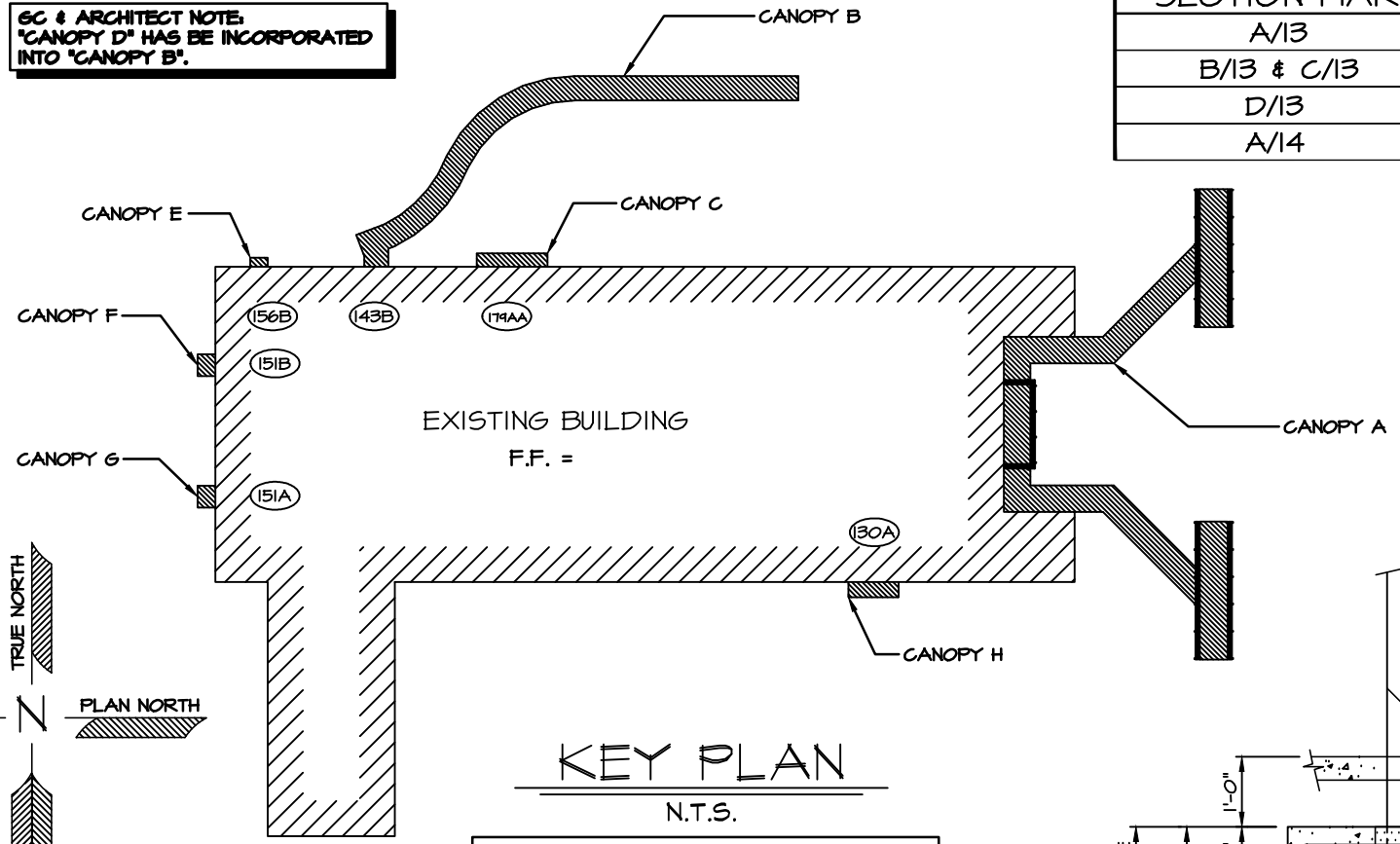
NOTE:
PEACHTREE PROTECTIVE COVERS RESERVES
THE RIGHT TO INSTALL MECHANICAL JOINTS
IN COLUMNS THAT EXCEED SHIPPING LIMITATIONS.

1477 ROSEDALE DRIVE
HIRAM, GA 30141
(770) 439-2120
fax (770) 439-2122

FOOTING SCHEDULE

SECTION MARK	FOOTING SIZE	REINFORCING
A/13	2'-8" DEEP X 3'-0" X 3'-0"	5 #6 E.W., TOP & BOTTOM
B/13 & C/13	3'-0" DEEP X 3'-8" X 3'-8"	7 #6 E.W., TOP & BOTTOM
D/13	3'-0" DEEP X 6'-0" X 6'-0"	12 #6 E.W., TOP & BOTTOM
A/14	3'-0" DEEP X 5'-3" X 5'-3"	10 #6 E.W., TOP & BOTTOM

GC & ARCHITECT NOTE:
"CANOPY D" HAS BE INCORPORATED INTO "CANOPY B".

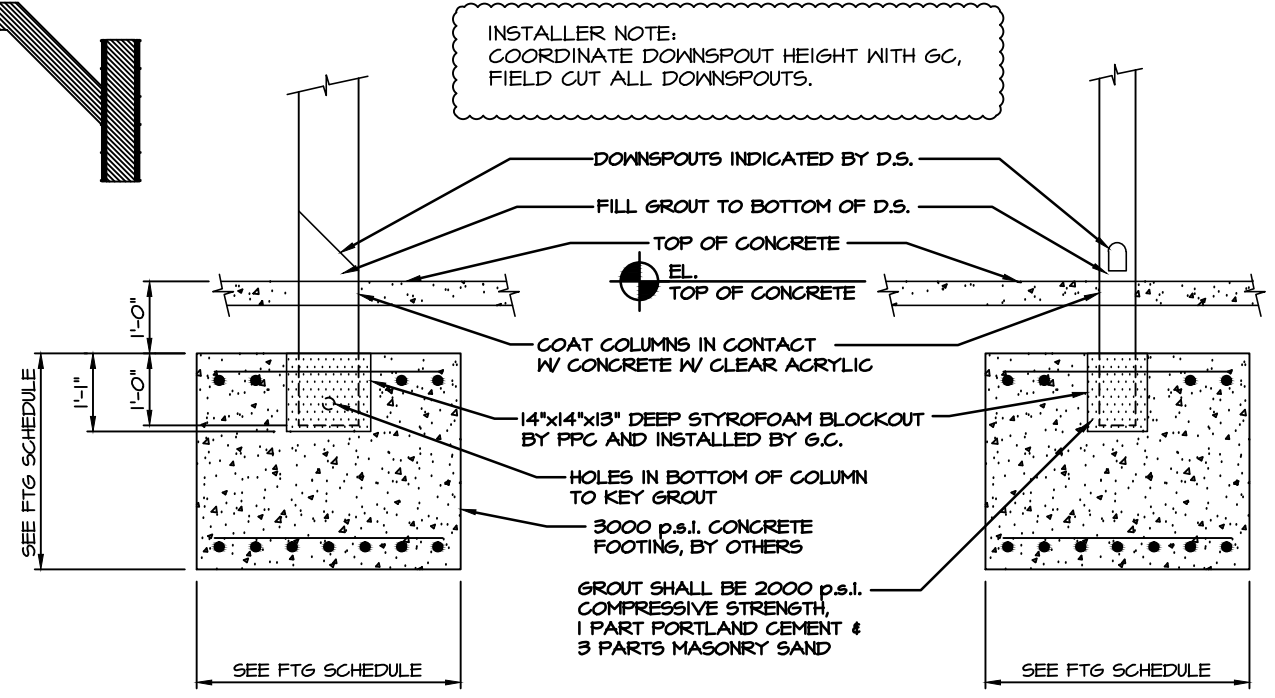


KEY PLAN
N.T.S.

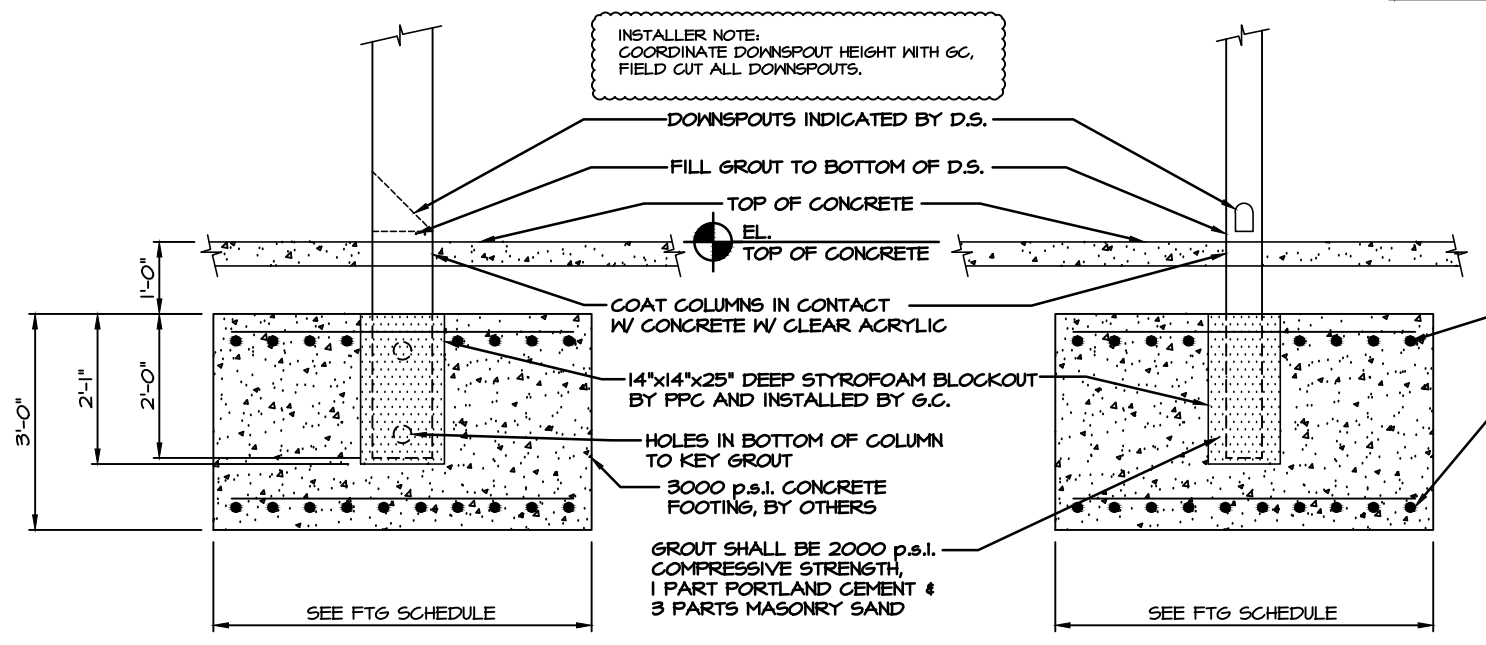
GC / ARCHITECT NOTE:
STRUCTURAL DESIGN OF CANOPY REQUIRES COLUMNS TO BE EMBEDDED INTO FOOTINGS AS INDICATED ON SHOP DRAWINGS AND AS SHOWN ON THE CONTRACT DRAWINGS DETAIL 5/AS102.

GC & ARCHITECT NOTE:
THE CANOPY FOOTING SIZE IS BASED ON WIND UPLIFT AND AN ALLOWABLE SOIL BEARING CAPACITY OF 2000 PSF. FOOTING BOTTOMS TO BE APPROVED FOR 2000 PSF BEARING BY A QUALIFIED GEOTECHNICAL ENGINEER. IF THE BEARING CAPACITY IS LESS THAN 2000 PSF, THE CONTRACTOR SHALL NOTIFY PPC ENGINEER FOR REDESIGN OF CANOPY FOOTINGS.

INSTALLER NOTE:
COORDINATE DOWNSPOUT HEIGHT WITH GC, FIELD CUT ALL DOWNSPOUTS.



(A) FOOTING DETAIL



(B) FOOTING DETAIL

SEE FOOTING SCHEDULE FOR REBAR REQUIREMENTS (INSTALL AROUND BLOCKOUTS)

FINISH SCHEDULE		
DESCRIPTION	FINISH	COLOR
3" DECK	ANODIZED	CLEAR, CLASS II
6" FASCIA	ANODIZED	CLEAR, CLASS II
4"x4" DOWNSPOUT	ANODIZED	CLEAR, CLASS II
10"x6" COLUMN/TUBE	ANODIZED	CLEAR, CLASS II
10"x6" BEAM	ANODIZED	CLEAR, CLASS II
3"x3" TUBE	ANODIZED	CLEAR, CLASS II
2 1/2" SCH. 40 PIPE	ANODIZED	CLEAR, CLASS II

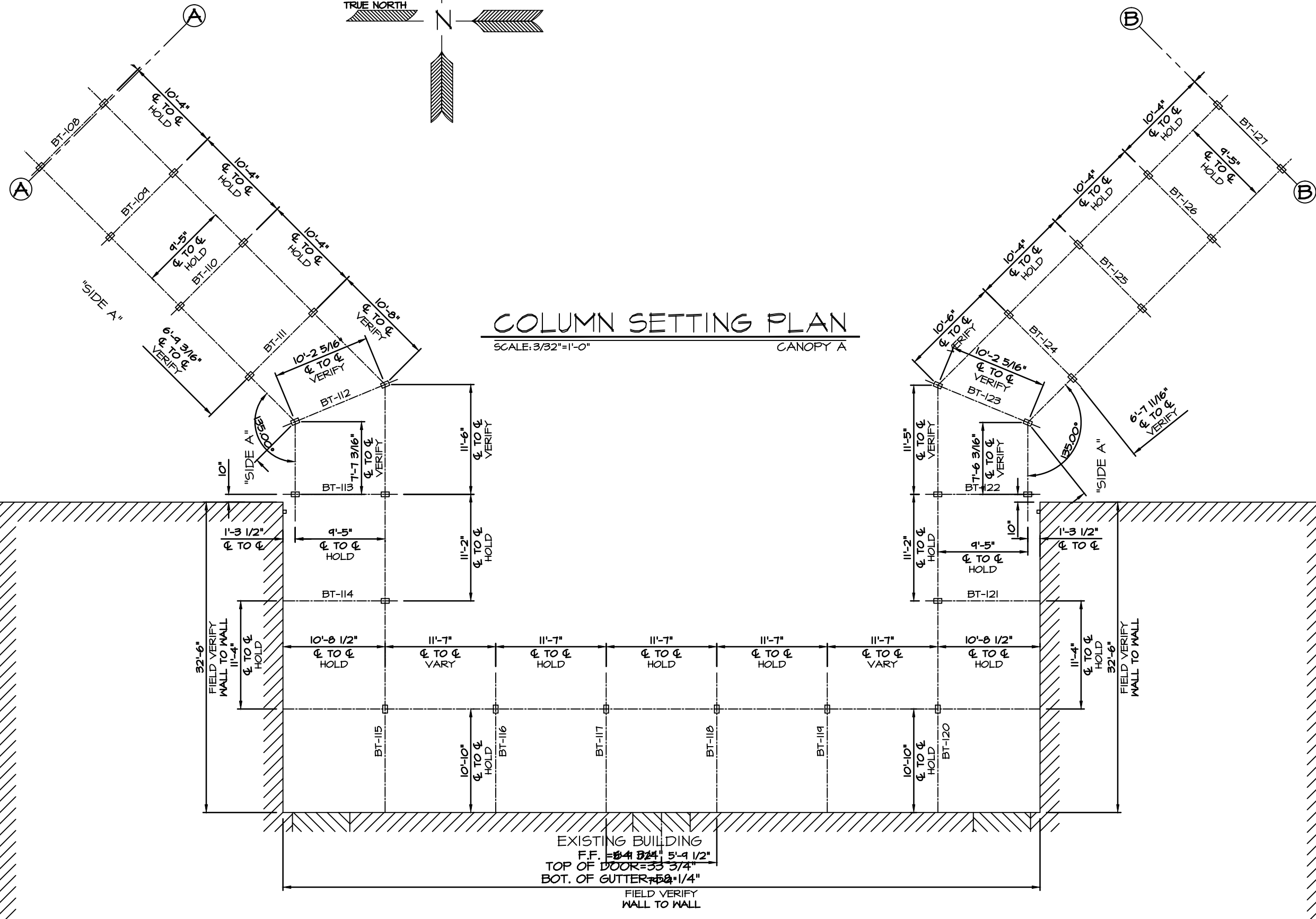
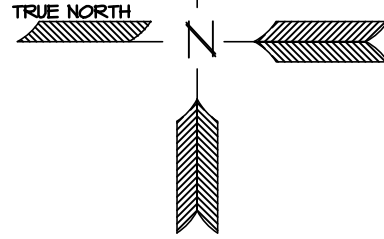


JOB NAME: CHENEY ELEMENTARY SCHOOL
 LOCATION: ORLANDO, FL
 ARCHITECT: REYNOLDS, SMITH AND HILLS, INC.
 CONTRACTOR: WILLIAMS COMPANY

REVISIONS	
12/21/05	LKA
DRAWN: LKA	
SCALE: AS SHOWN	
DATE: 10/31/05	
JOB #	
3695	
SHT 1 OF 19	

MATCH LINE
ON SHEET 3695-3

MATCH LINE
ON SHEET 3695-3



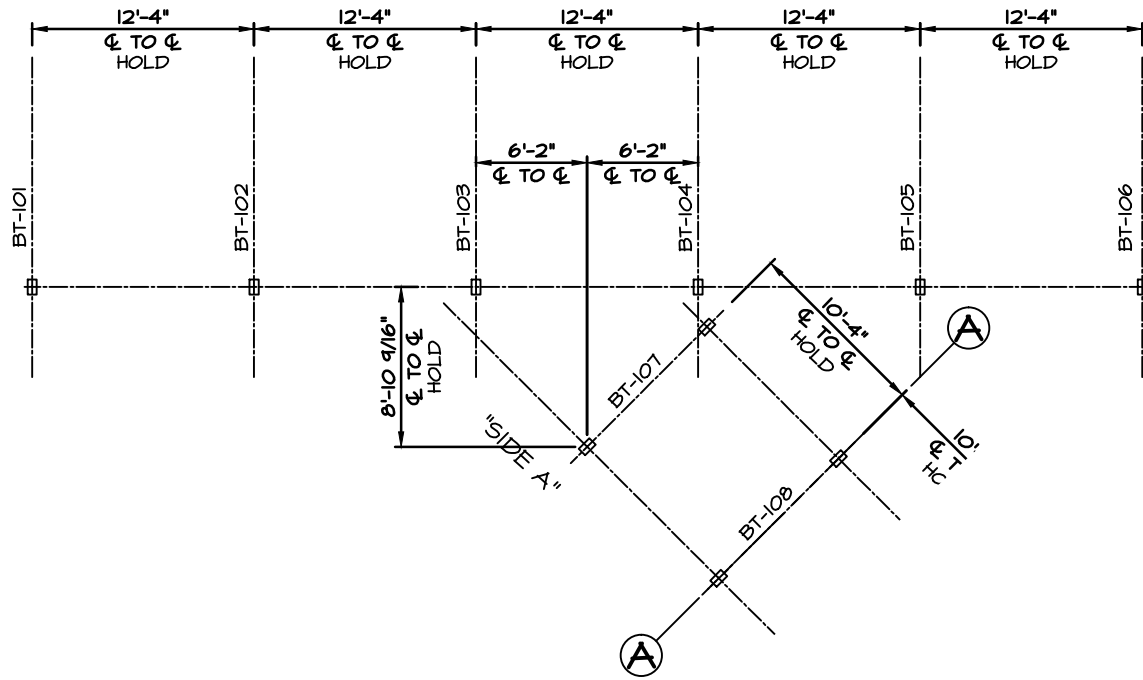
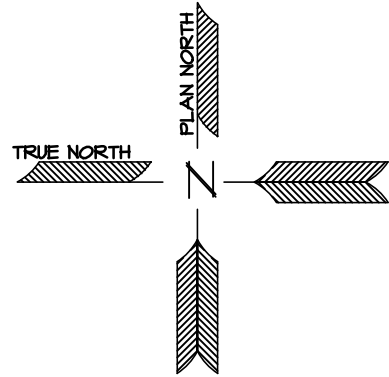
COLUMN SETTING PLAN
SCALE: 3/32"=1'-0" CANOPY A



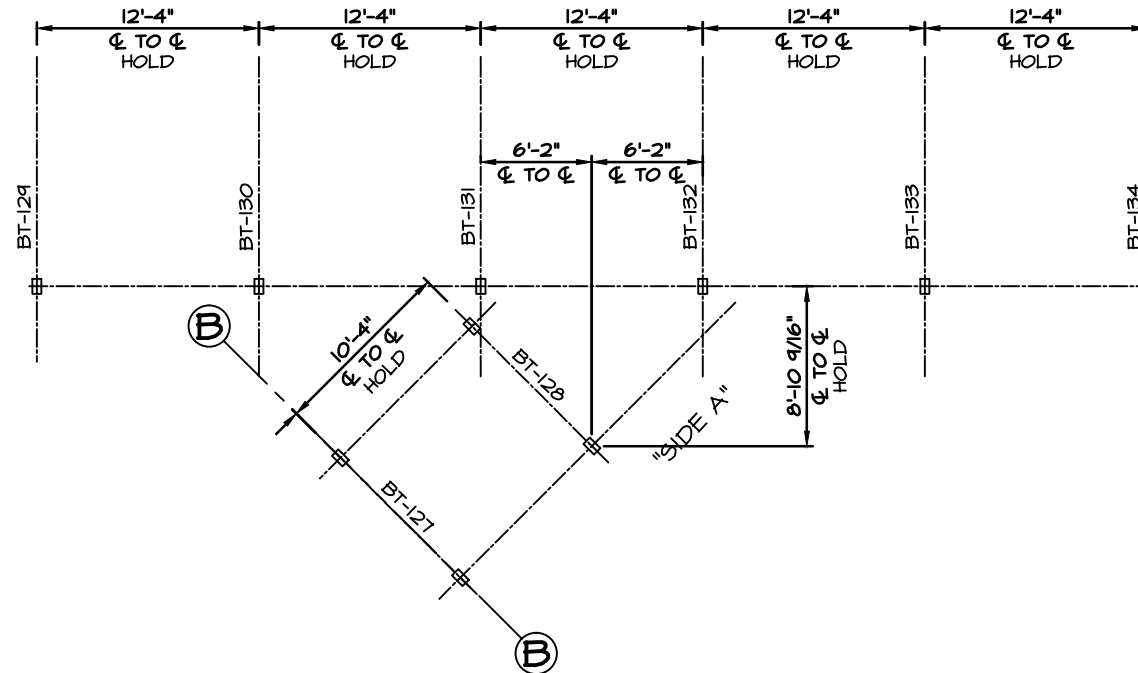
14771 ROSEDALE DRIVE PHONE (770) 434-2120
HIRAHI, GA 30141 FAX (770) 434-2122

JOB NAME: CHENEY ELEMENTARY SCHOOL
LOCATION: ORLANDO, FL
ARCHITECT: REYNOLDS, SMITH AND HILLS, INC.
CONTRACTOR: WILLIAMS COMPANY

REVISIONS	
12/21/05 LKA	
3/16/06 RLV	
DRAWN: LKA	
SCALE: AS SHOWN	
DATE: 10/31/05	
JOB #	
3695	
SHT 2 OF 19	

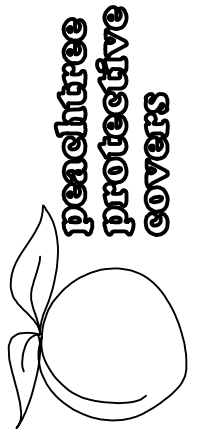


MATCH LINE
ON SHEET 3695-2



MATCH LINE
ON SHEET 3695-2

COLUMN SETTING PLAN
SCALE: 3/32"=1'-0" CANOPY A



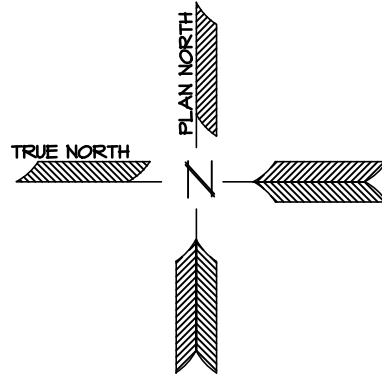
peachtree protective covers
14771 ROSEDALE DRIVE PHONE (770) 434-2120
HIRAHI, GA 30141 FAX (770) 434-2122

JOB NAME: CHENEY ELEMENTARY SCHOOL
LOCATION: ORLANDO, FL
ARCHITECT: REYNOLDS, SMITH AND HILLS, INC.
CONTRACTOR: WILLIAMS COMPANY

REVISIONS	
12/21/05	LKA
DRAWN: LKA	
SCALE: AS SHOWN	
DATE: 10/31/05	
JOB #	
3695	
SHT 3 OF 19	

MATCH LINE
ON SHEET 3695-5

MATCH LINE
ON SHEET 3695-5

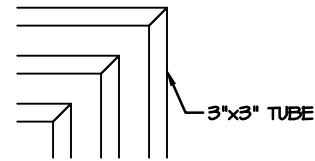


DECK PLAN

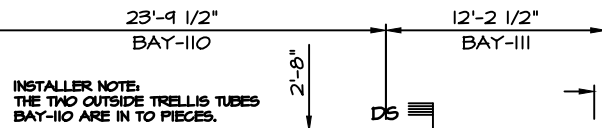
SCALE: 3/32"=1'-0" CANOPY A

INSTALLER NOTE:
FIELD DRILL MECH JOINT BOLT HOLE PATTERN
IN BOTTOM OF BEAM AT BT-112 & 123 ONLY

INSTALLER NOTE:
COORDINATE DOWNSPOUT HEIGHT WITH GC,
FIELD CUT ALL DOWNSPOUTS.

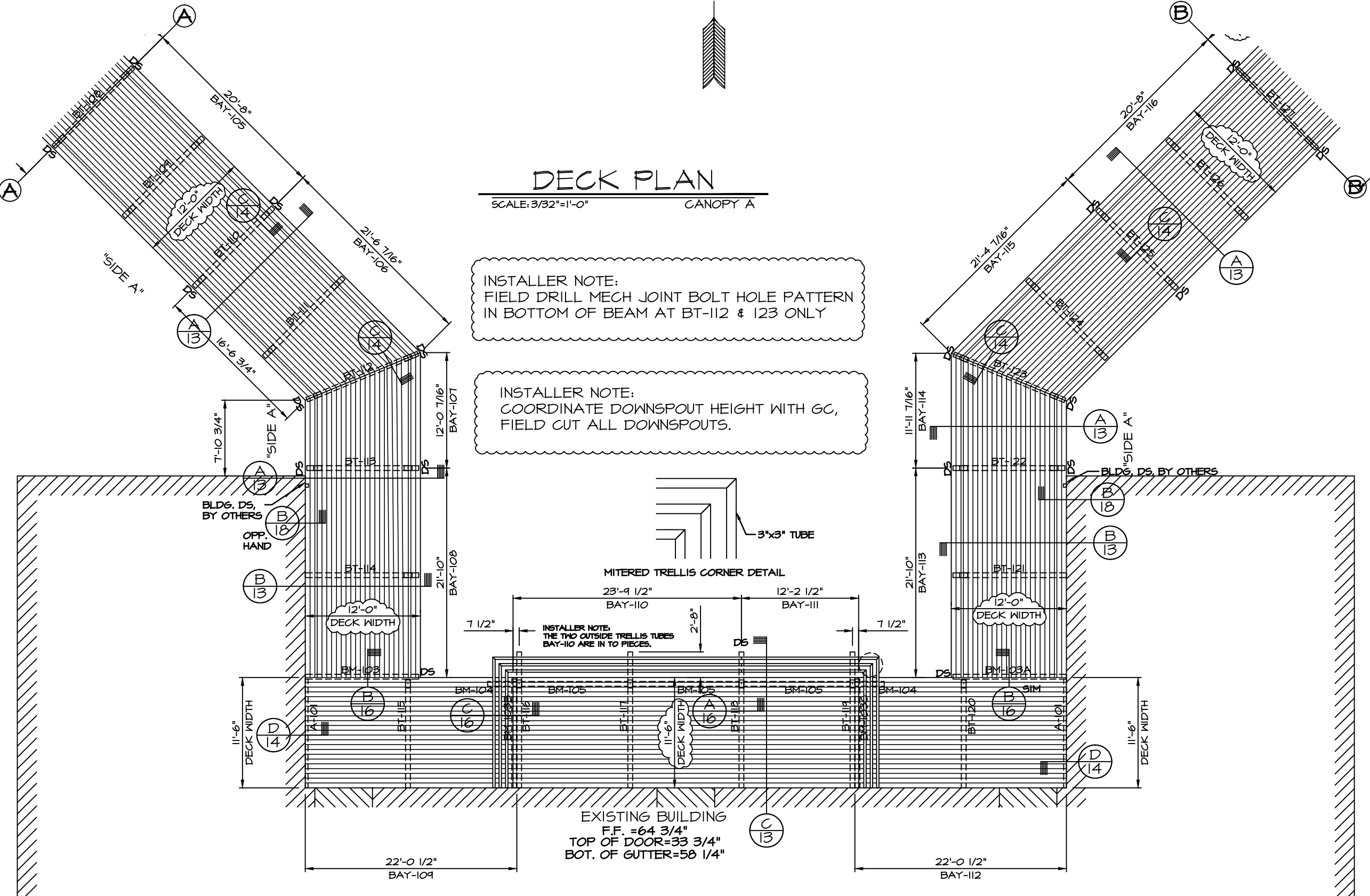


MITERED TRELLIS CORNER DETAIL



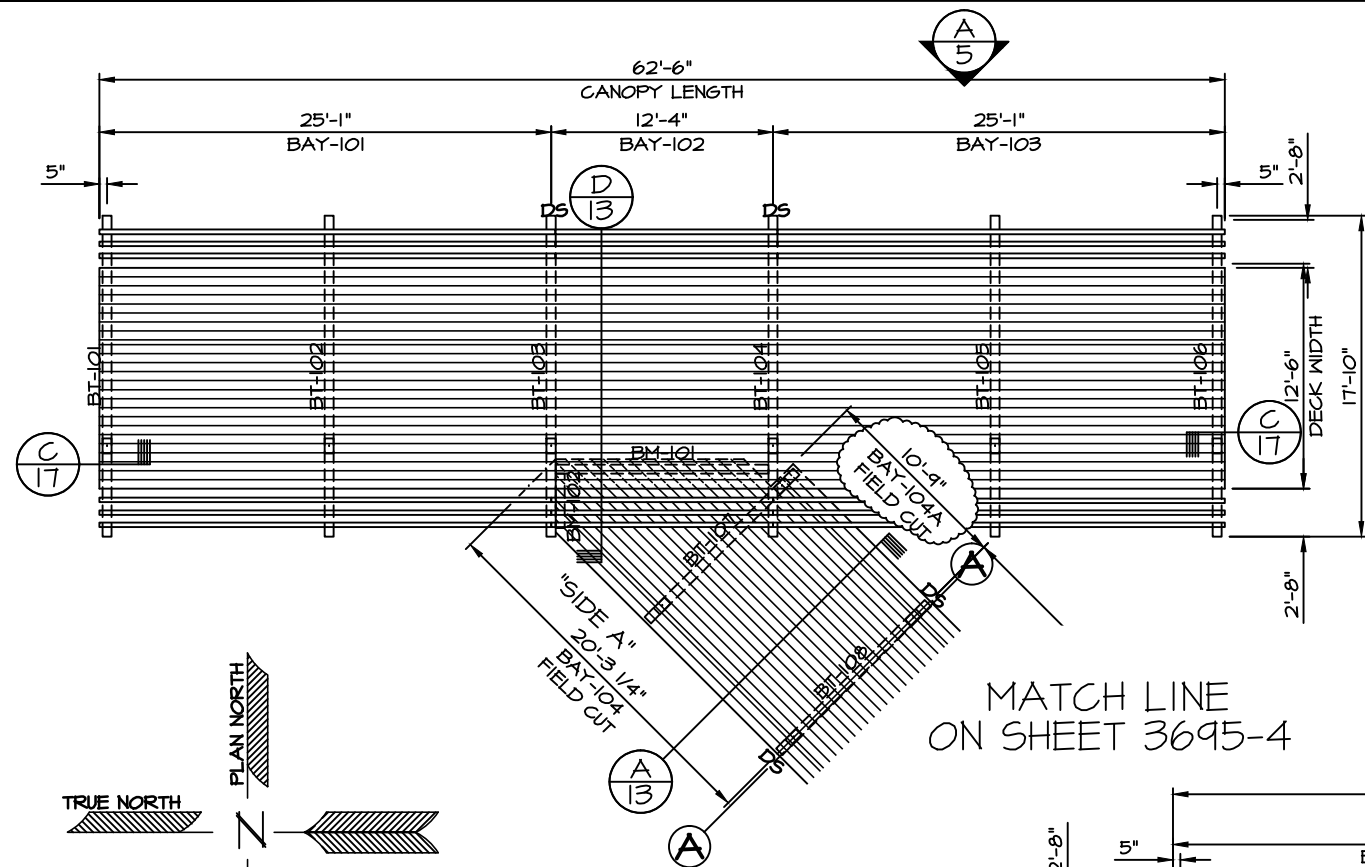
INSTALLER NOTE:
THE TWO OUTSIDE TRELLIS TUBES
BAY-110 ARE IN TO PIECES.

EXISTING BUILDING
F.F. = 64 3/4"
TOP OF DOOR = 33 3/4"
BOT. OF GUTTER = 58 1/4"



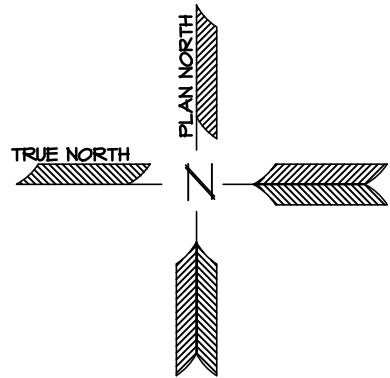
JOB NAME: CHENEY ELEMENTARY SCHOOL
LOCATION: ORLANDO, FL
ARCHITECT: REYNOLDS, SMITH AND HILLS, INC.
CONTRACTOR: WILLIAMS COMPANY

REVISIONS	
12/21/05 LKA	
2/20/06 LKA	
3/16/06 RLV	
DRAWN: LKA	
SCALE: AS SHOWN	
DATE: 10/31/05	
JOB #	
3695	
SHT 4 OF 19	



INSTALLER NOTE:
 BAY-101, 102, 103, 118, 119, 120 TRELLIS TUBES
 ARE NOT CUT TO BE CENTERED ON BEAM BUT OFF CENTER.

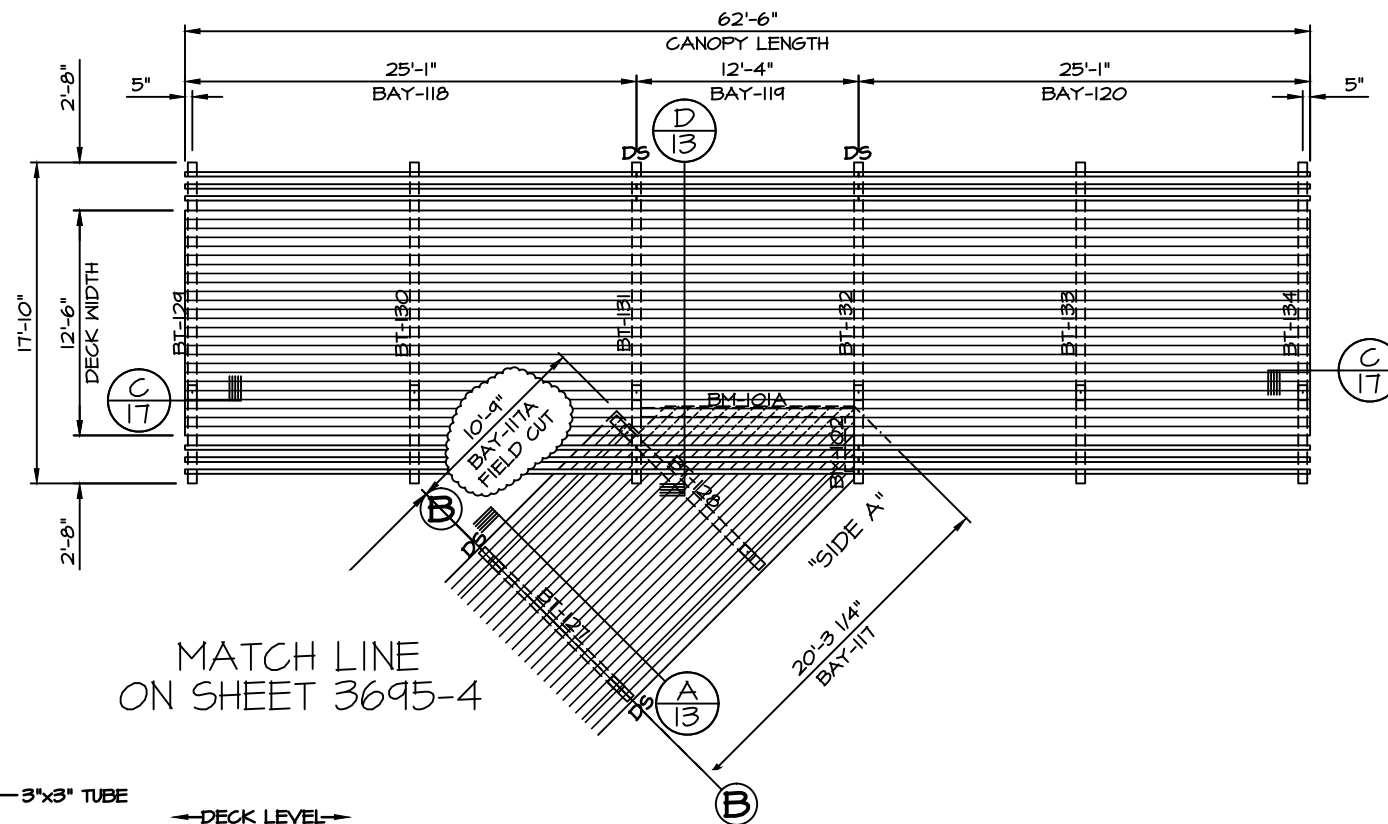
INSTALLER NOTE:
 COORDINATE DOWNSPOUT HEIGHT WITH GC,
 FIELD CUT ALL DOWNSPOUTS.



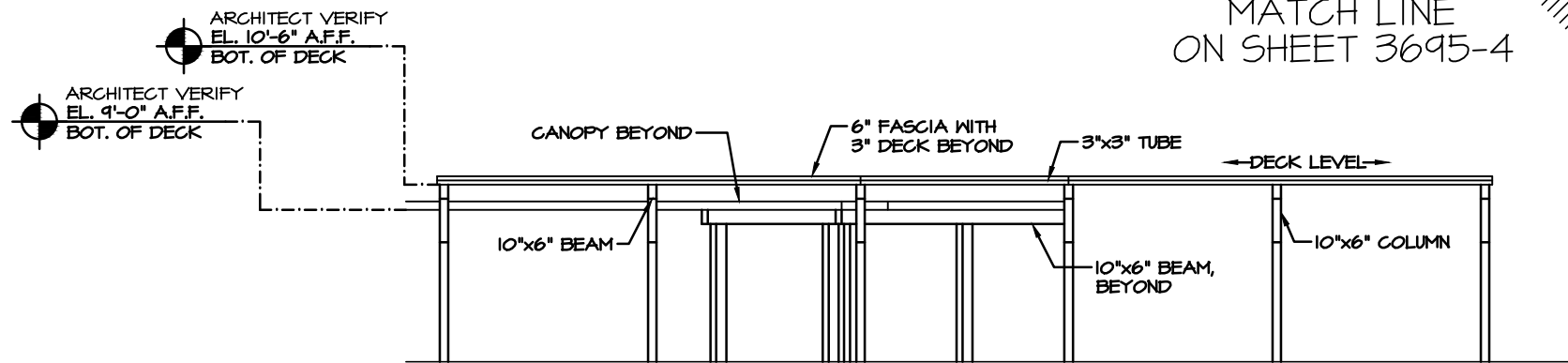
DECK PLAN

SCALE: 3/32"=1'-0" CANOPY A

MATCH LINE
 ON SHEET 3695-4



MATCH LINE
 ON SHEET 3695-4



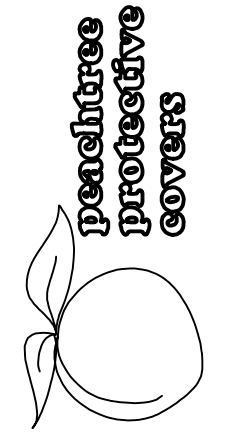
(A) ELEVATION
 5 CANOPY A



14771 ROSEDALE DRIVE PHONE (770) 434-2120
 HIRAM, GA 30141 FAX (770) 434-2122

JOB NAME: CHENEY ELEMENTARY SCHOOL
 LOCATION: ORLANDO, FL
 ARCHITECT: REYNOLDS, SMITH AND HILLS, INC.
 CONTRACTOR: WILLIAMS COMPANY

REVISIONS	
12/21/05 LKA	
3/16/06 RLV	
DRAWN: LKA	
SCALE: AS SHOWN	
DATE: 10/31/05	
JOB #	
3695	
SHT 5 OF 19	

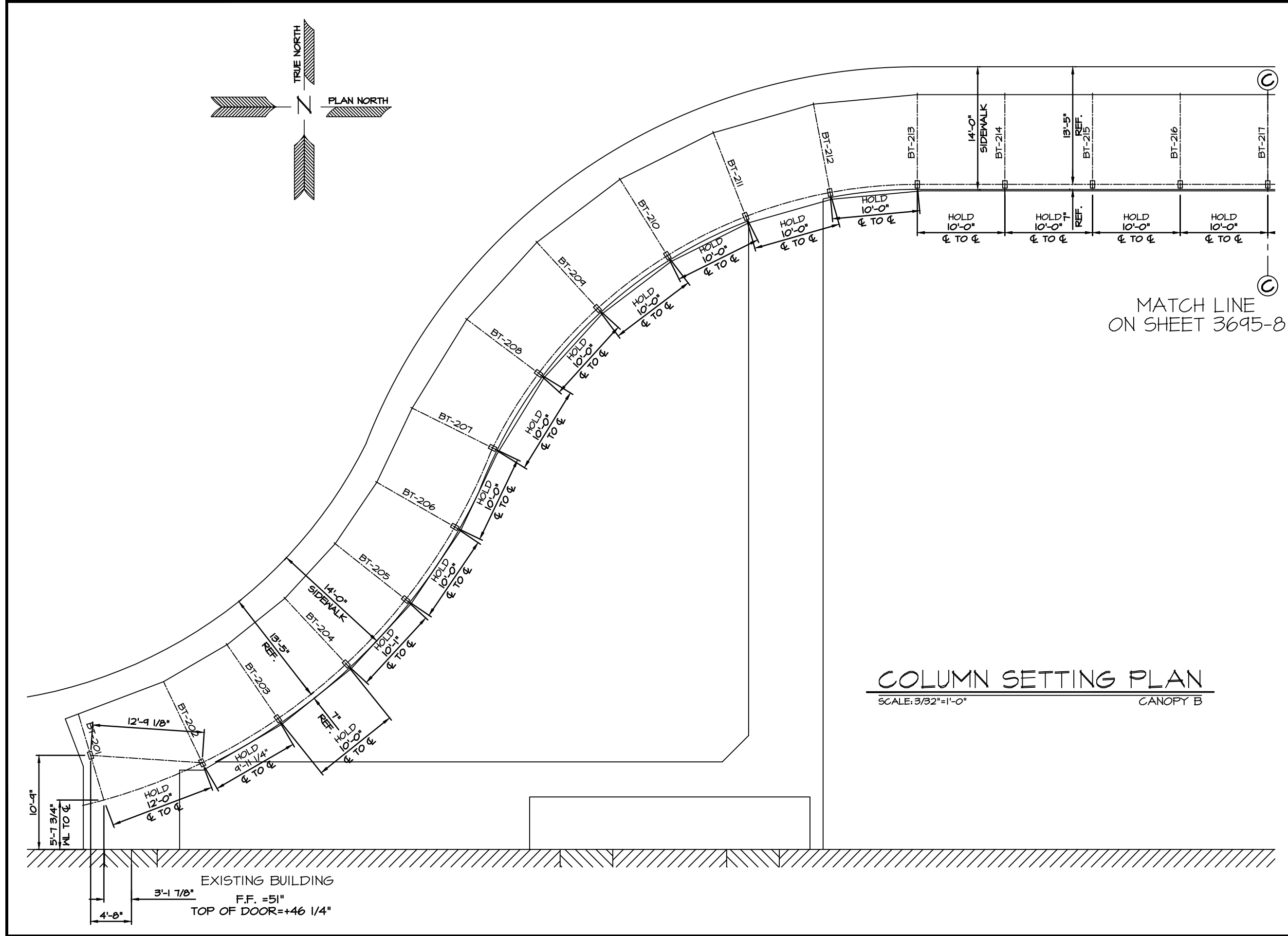


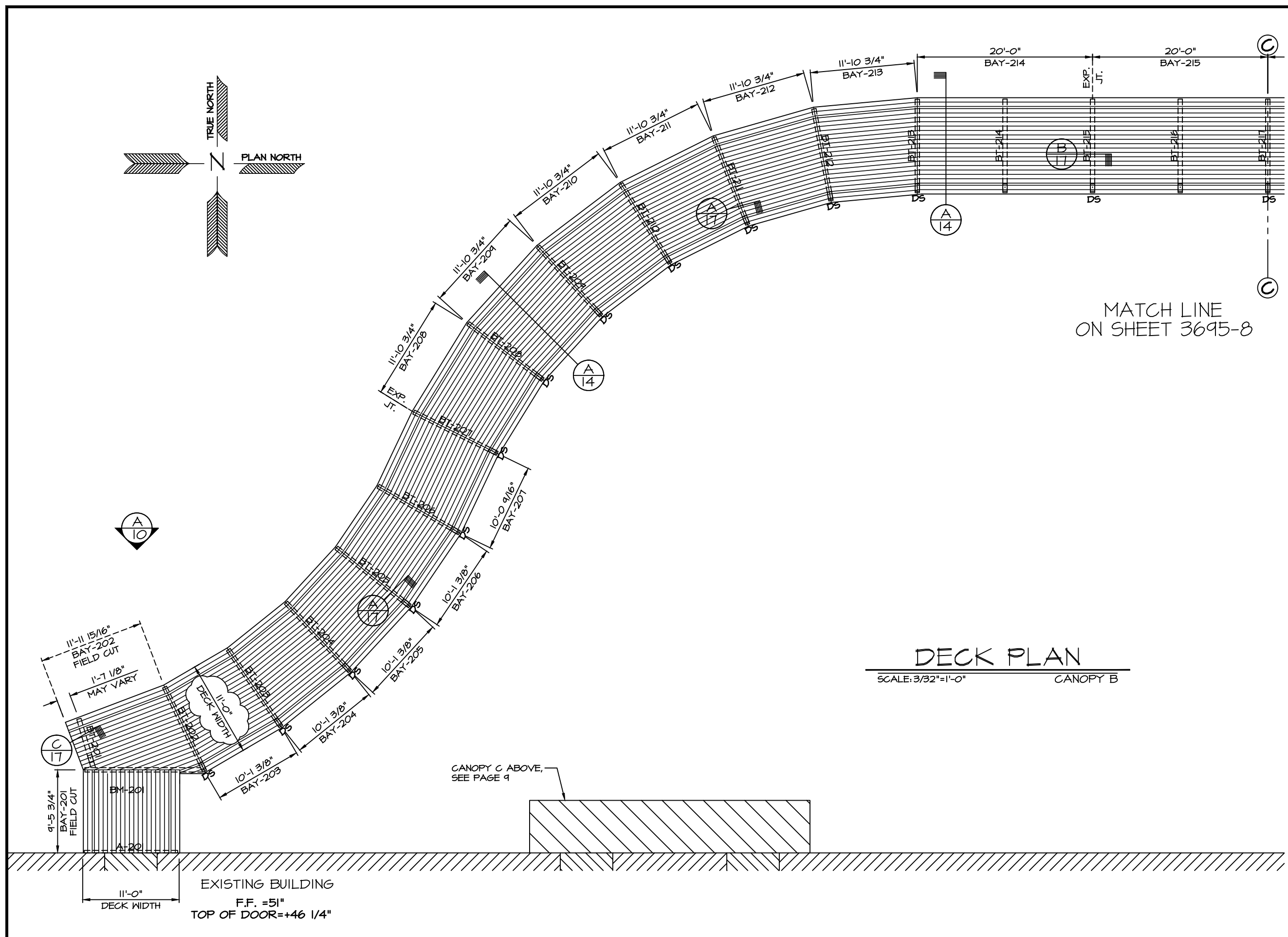
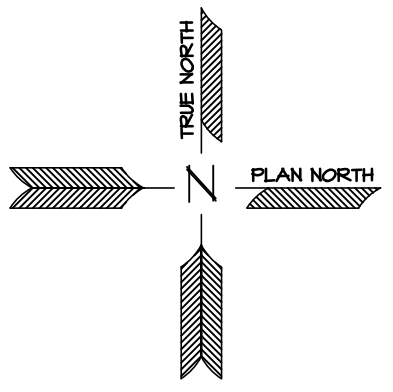
1477 ROSEDALE DRIVE PHONE (TTO) 434-2120
 HIRAM, GA 30141 FAX (TTO) 434-2122

JOB NAME: CHENEY ELEMENTARY SCHOOL
 LOCATION: ORLANDO, FL
 ARCHITECT: REYNOLDS, SMITH AND HILLS, INC.
 CONTRACTOR: WILLIAMS COMPANY

REVISIONS	
12/21/05 LKA	
3/16/06 RLV	

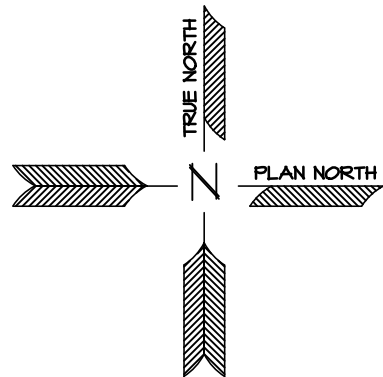
DRAWN: LKA
 SCALE: AS SHOWN
 DATE: 10/31/05
 JOB #
3695
 SHT 6 OF 19



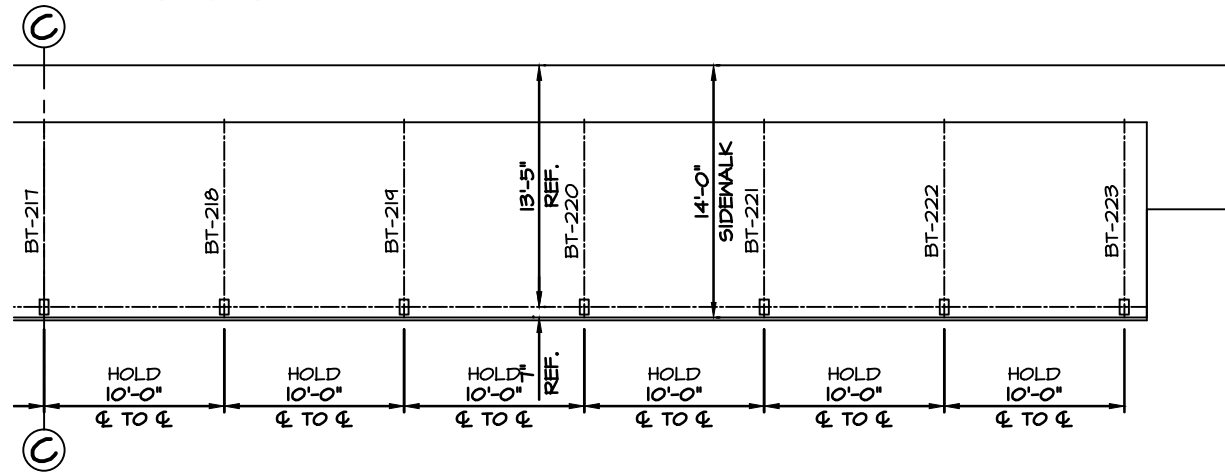


JOB NAME: CHENEY ELEMENTARY SCHOOL
LOCATION: ORLANDO, FL
ARCHITECT: REYNOLDS, SMITH AND HILLS, INC.
CONTRACTOR: WILLIAMS COMPANY

REVISIONS	
12/21/05 LKA	
3/16/06 RLV	
DRAWN: LKA	
SCALE: AS SHOWN	
DATE: 10/31/05	
JOB #	
3695	
SHT 7 OF 19	

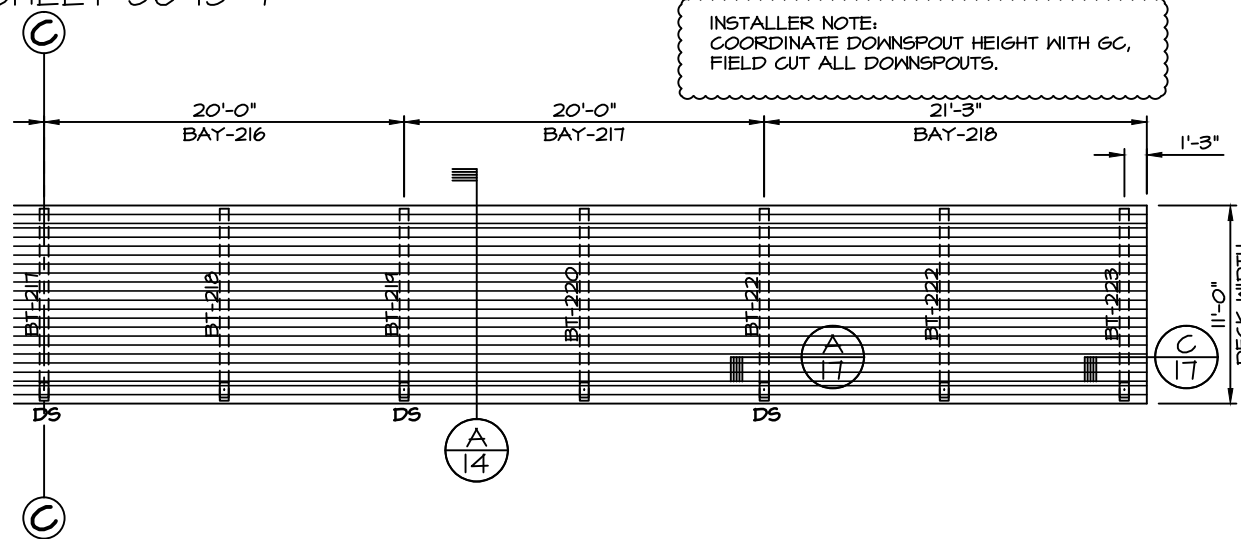


MATCH LINE
ON SHEET 3695-6

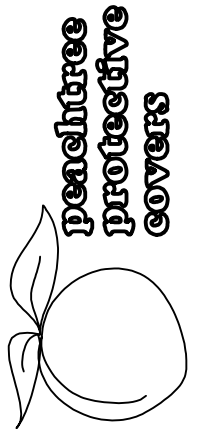


COLUMN SETTING PLAN
SCALE: 3/32"=1'-0" CANOPY B

MATCH LINE
ON SHEET 3695-7



DECK PLAN
SCALE: 3/32"=1'-0" CANOPY B



1477 ROSEDALE DRIVE PHONE (770) 434-2120
HIRAM, GA 30141 FAX (770) 434-2122

JOB NAME: CHENEY ELEMENTARY SCHOOL
LOCATION: ORLANDO, FL
ARCHITECT: REYNOLDS, SMITH AND HILLS, INC.
CONTRACTOR: WILLIAMS COMPANY

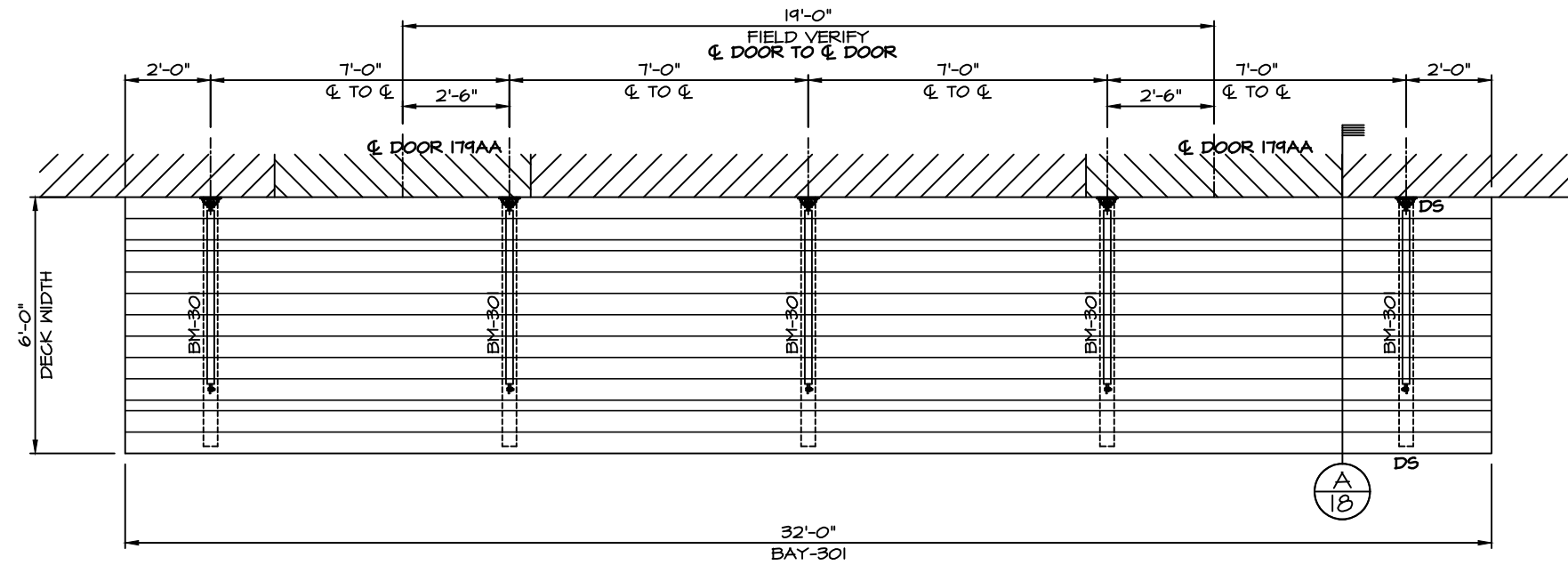
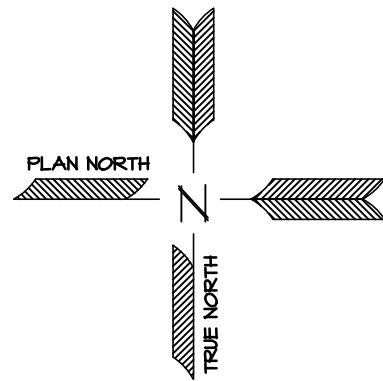
REVISIONS	
12/21/05 LKA	
3/16/06 RLV	

DRAWN: LKA

SCALE: AS SHOWN

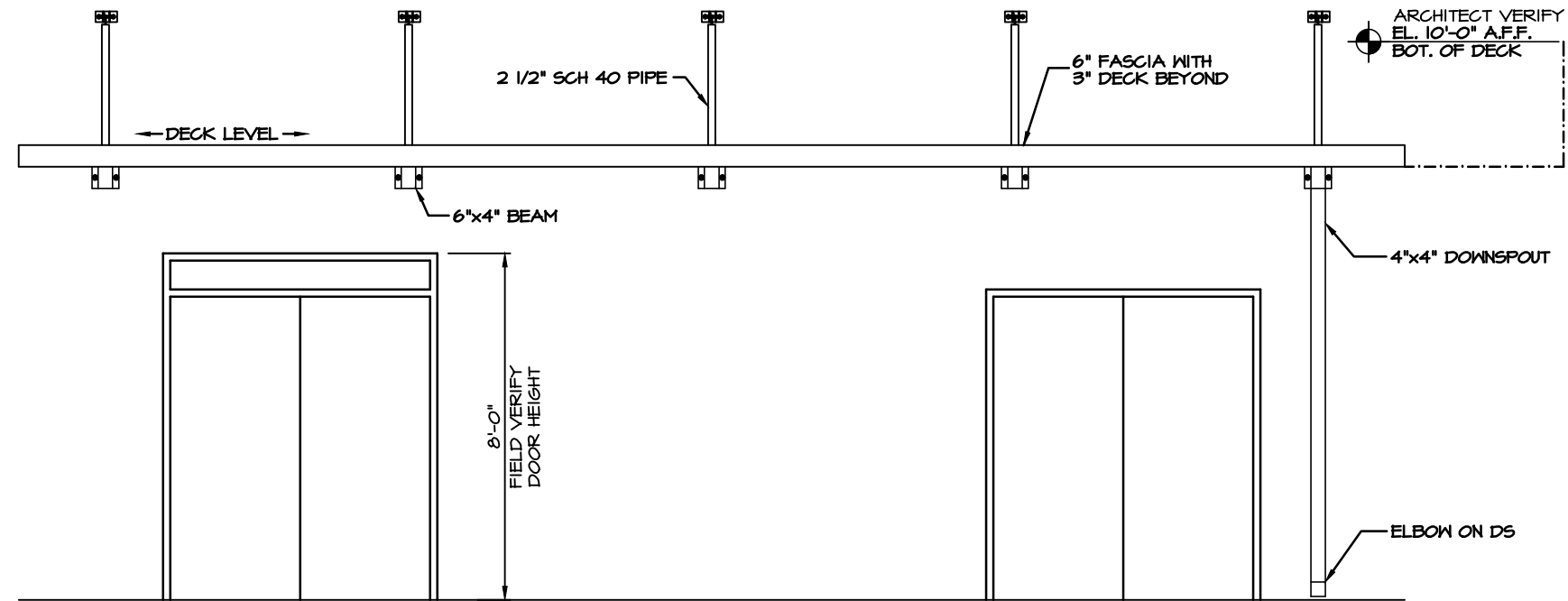
DATE: 10/31/05

JOB #
3695
SHT 8 OF 19



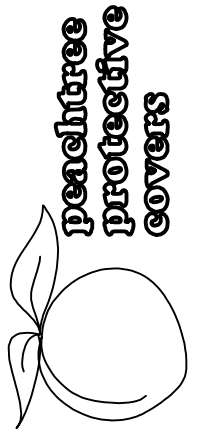
CANOPY PLAN VIEW

CANOPY C



ELEVATION

CANOPY C



1477 ROSEDALE DRIVE PHONE (710) 434-2120
HIRAHI, GA 30141 FAX (710) 434-2122

JOB NAME: CHENEY ELEMENTARY SCHOOL

LOCATION: ORLANDO, FL

ARCHITECT: REYNOLDS, SMITH AND HILLS, INC.

CONTRACTOR: WILLIAMS COMPANY

REVISIONS

12/21/05 LKA

DRAWN: LKA

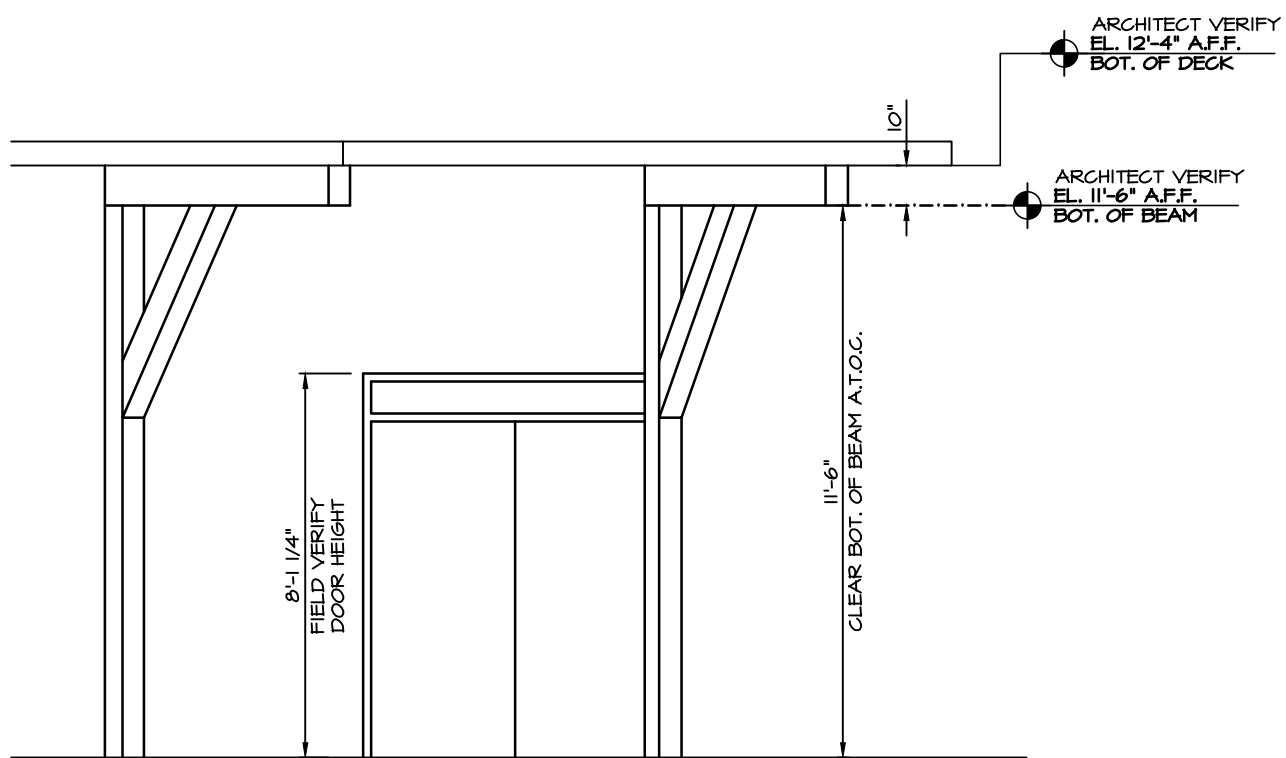
SCALE: AS SHOWN

DATE: 10/31/05

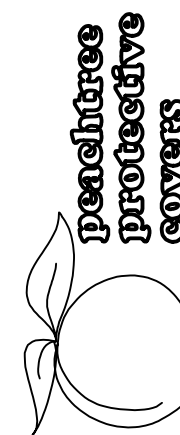
JOB #

3695

SHT 9 OF 19



A
10 ELEVATION
CANOPY B



peachtree protective covers
1477 ROSEDALE DRIVE PHONE (770) 434-2120
HIRAM, GA 30141 FAX (770) 434-2122

JOB NAME: CHENEY ELEMENTARY SCHOOL

LOCATION: ORLANDO, FL

ARCHITECT: REYNOLDS, SMITH AND HILLS, INC.

CONTRACTOR: WILLIAMS COMPANY

REVISIONS

12/21/05 LKA	
2/20/06 LKA	

DRAWN: LKA

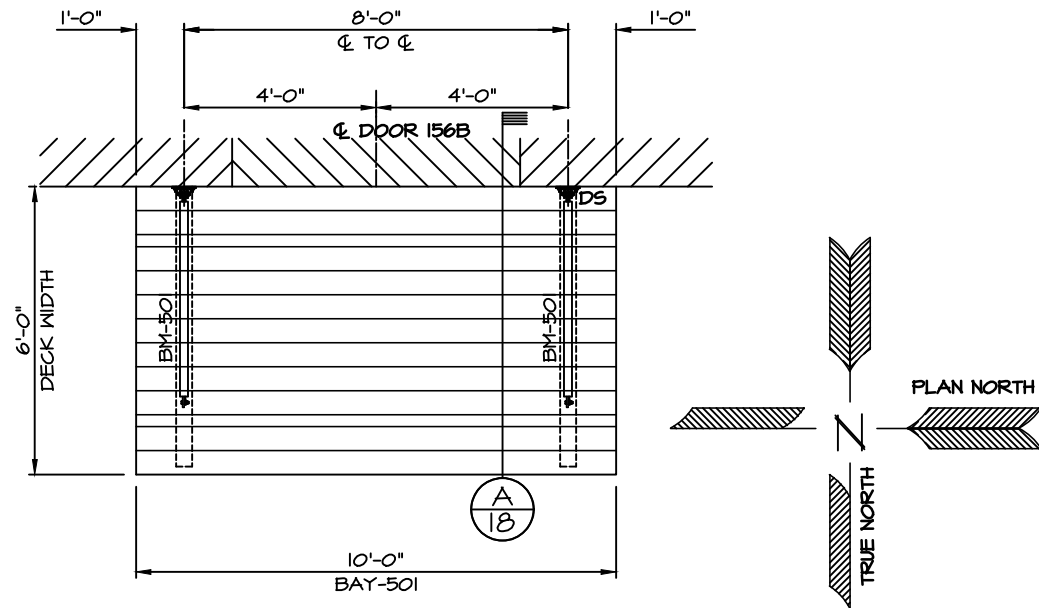
SCALE: AS SHOWN

DATE: 10/31/05

JOB #

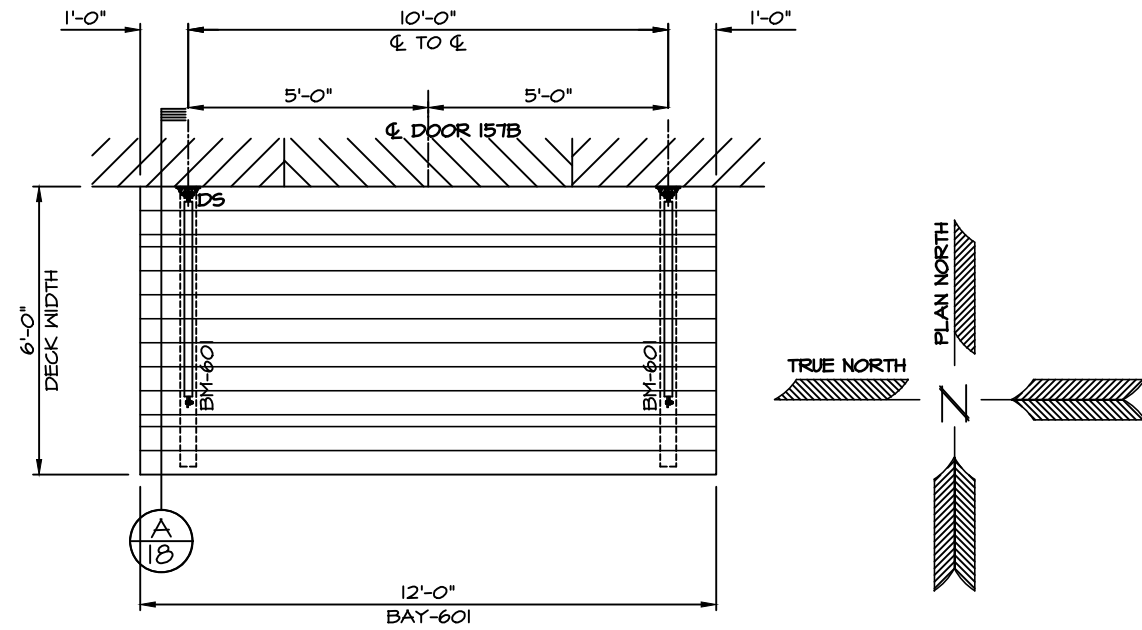
3695

SHT 10 OF 19



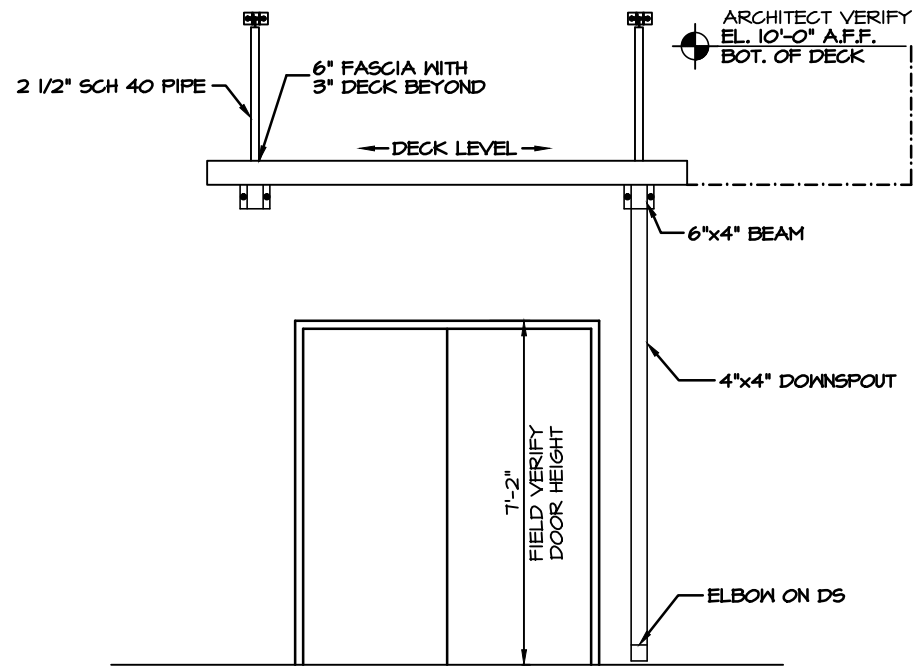
CANOPY PLAN VIEW

CANOPY E



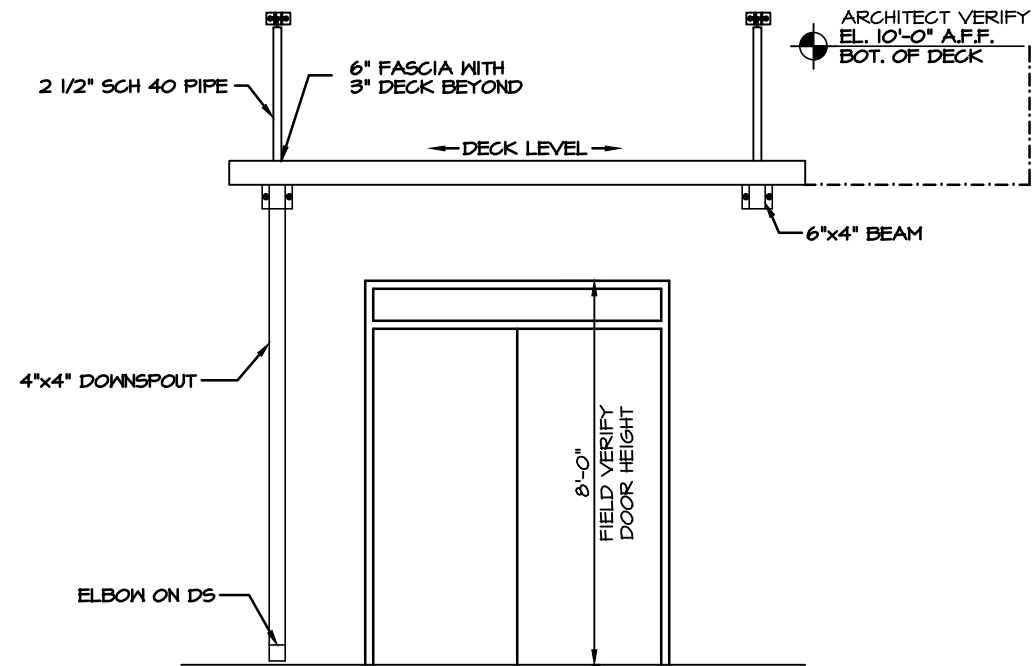
CANOPY PLAN VIEW

CANOPY F



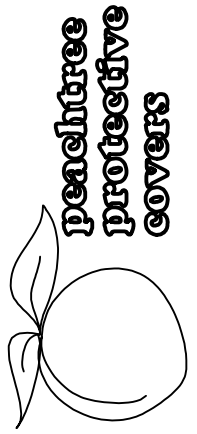
ELEVATION

CANOPY E



ELEVATION

CANOPY F



14771 ROSEDALE DRIVE PHONE (770) 434-2120
 HIRAKAN, GA 30141 FAX (770) 434-2122

JOB NAME: CHENEY ELEMENTARY SCHOOL
 LOCATION: ORLANDO, FL
 ARCHITECT: REYNOLDS, SMITH AND HILLS, INC.
 CONTRACTOR: WILLIAMS COMPANY

REVISIONS

12/21/05 LKA	
2/20/06 LKA	

DRAWN: LKA

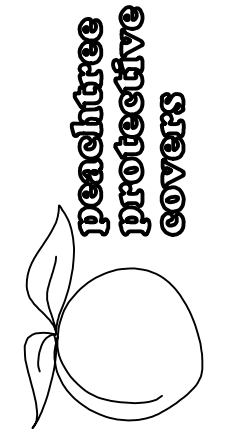
SCALE: AS SHOWN

DATE: 10/31/05

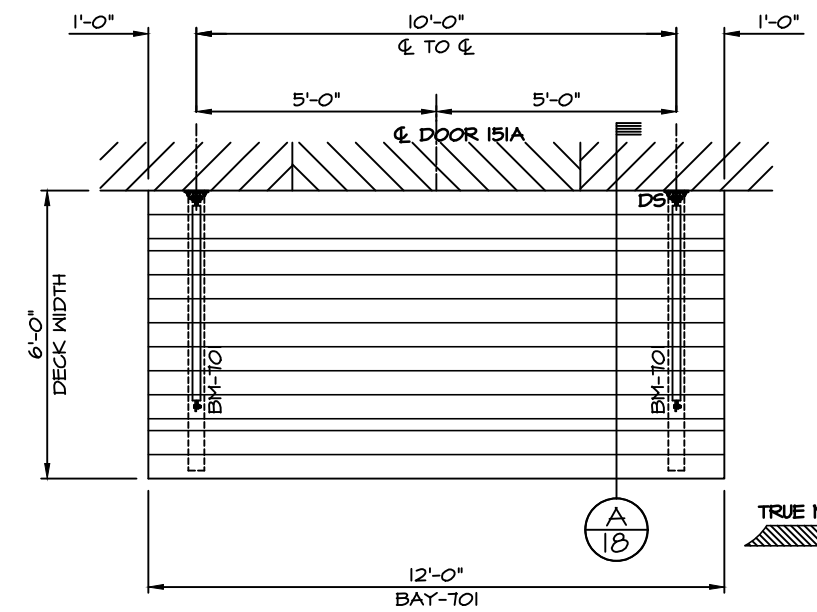
JOB #

3695

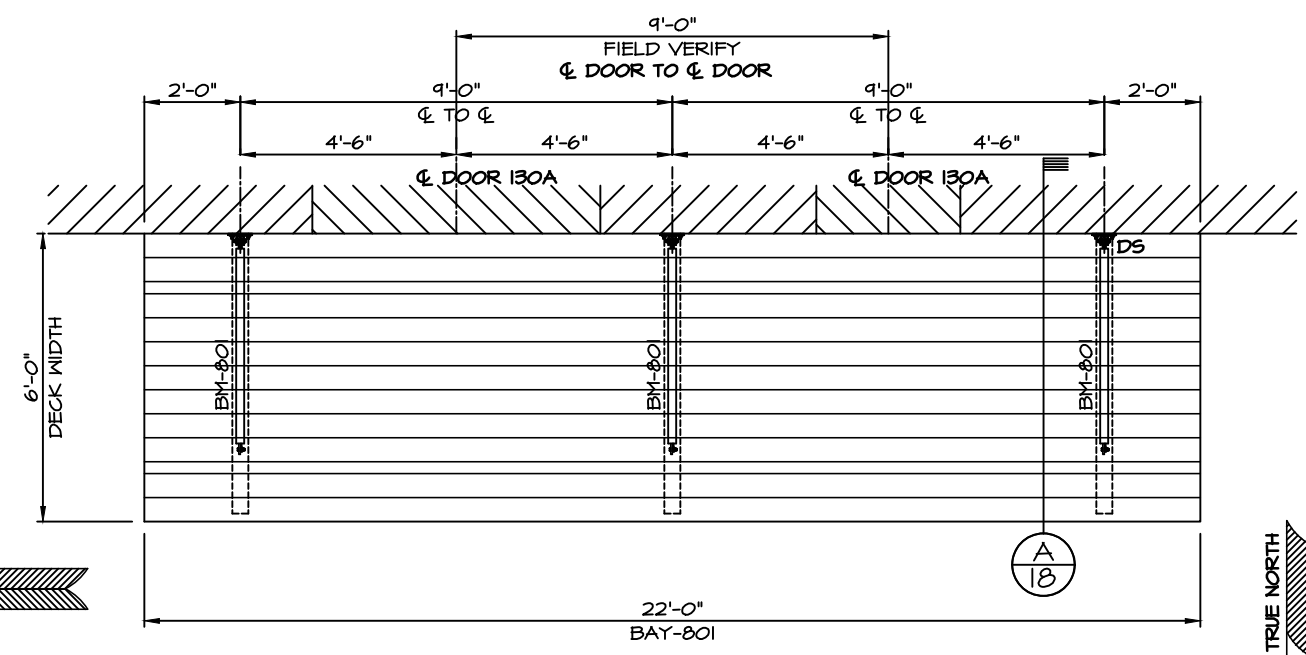
SHT 11 OF 19



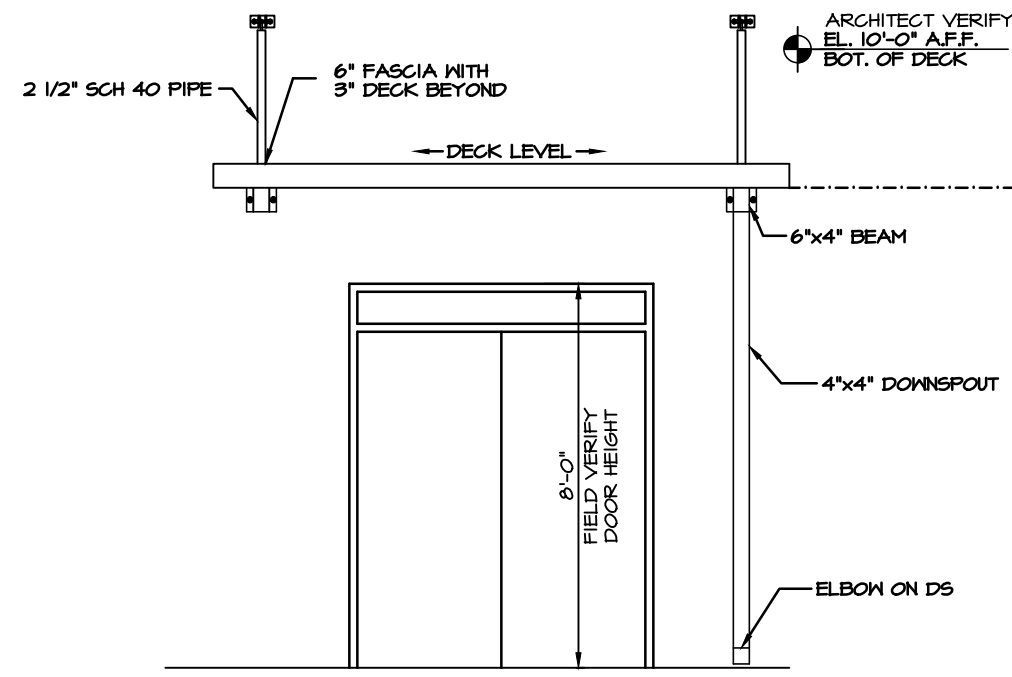
1477 ROSEDALE DRIVE PHONE (710) 434-2120
 HIRAI, GA 30141 FAX (710) 434-2122



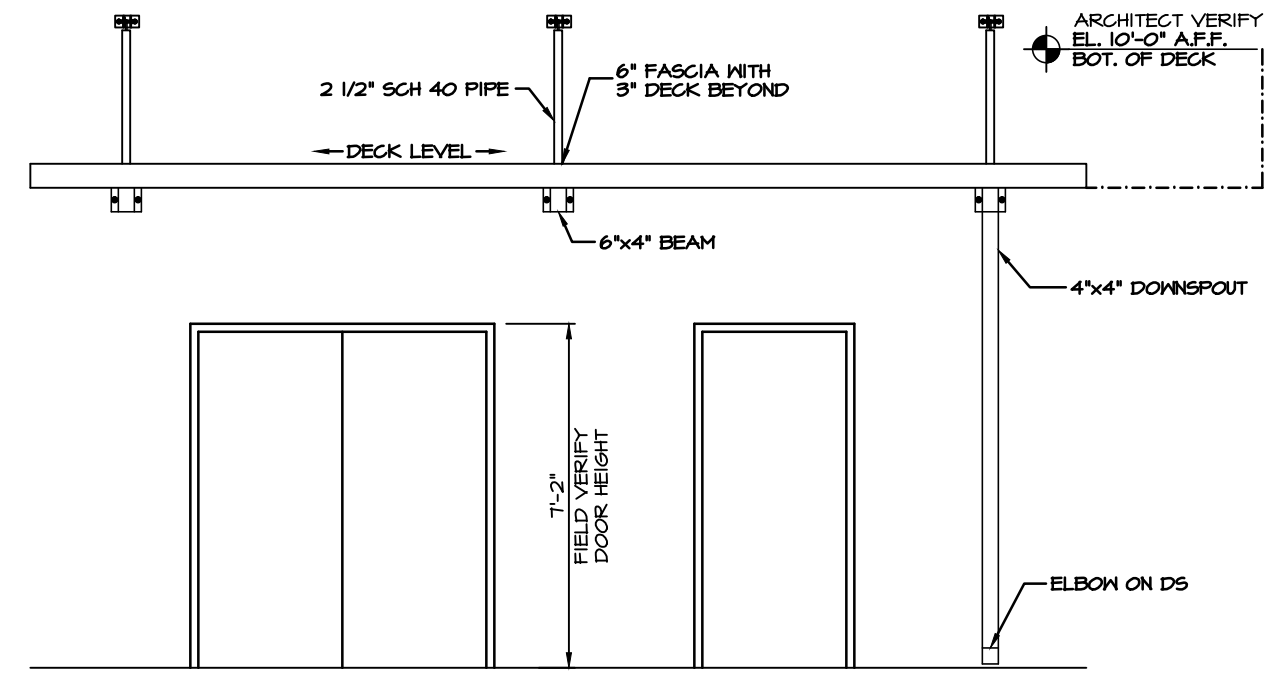
CANOPY PLAN VIEW
CANOPY G



CANOPY PLAN VIEW
CANOPY H



ELEVATION
CANOPY G

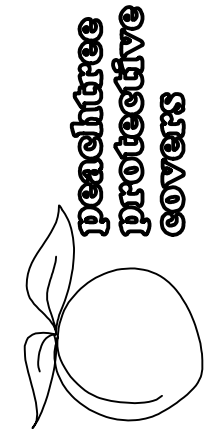


ELEVATION
CANOPY H

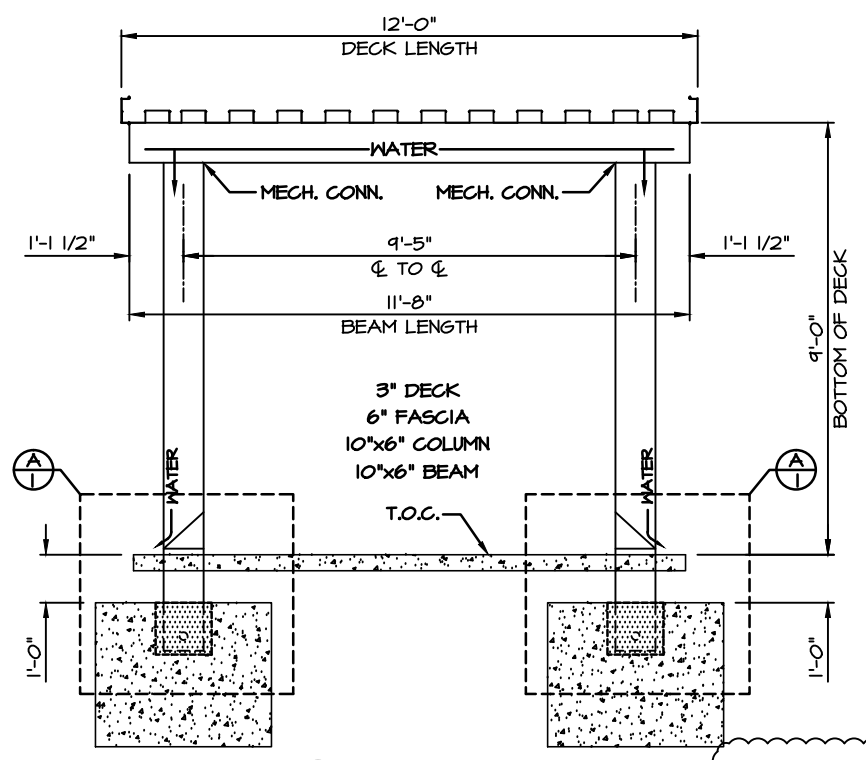
JOB NAME: CHENEY ELEMENTARY SCHOOL
 LOCATION: ORLANDO, FL
 ARCHITECT: REYNOLDS, SMITH AND HILLS, INC.
 CONTRACTOR: WILLIAMS COMPANY

REVISIONS	
12/21/05 LKA	
2/20/06 LKA	
DRAWN: LKA	
SCALE: AS SHOWN	
DATE: 10/31/05	

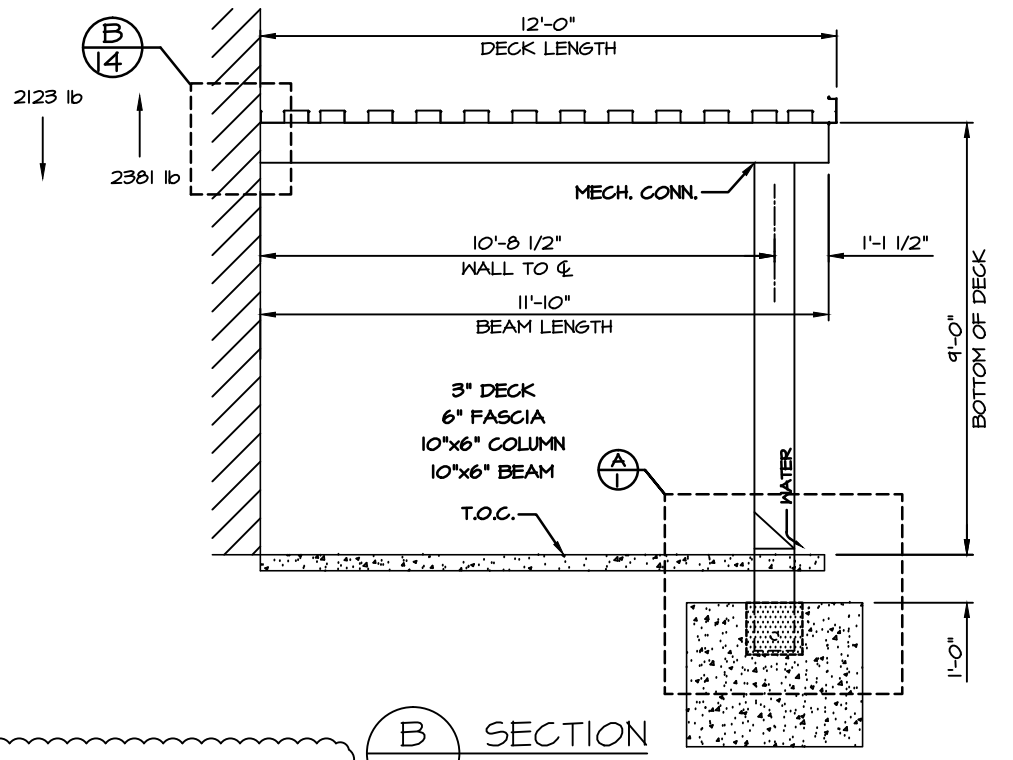
JOB #
3695
 SHT 12 OF 19



14771 ROSEDALE DRIVE PHONE (770) 434-2120
 HIRAM, GA 30141 FAX (770) 434-2122

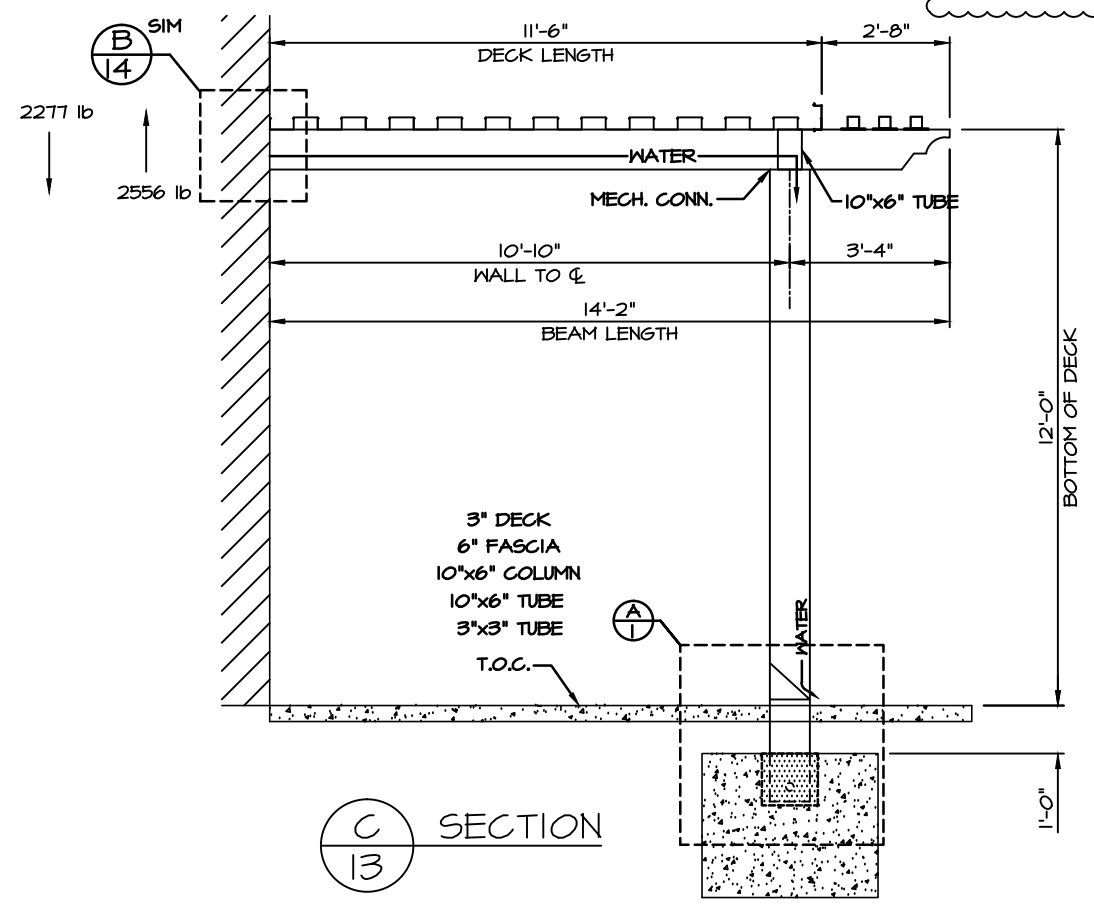


A SECTION
13

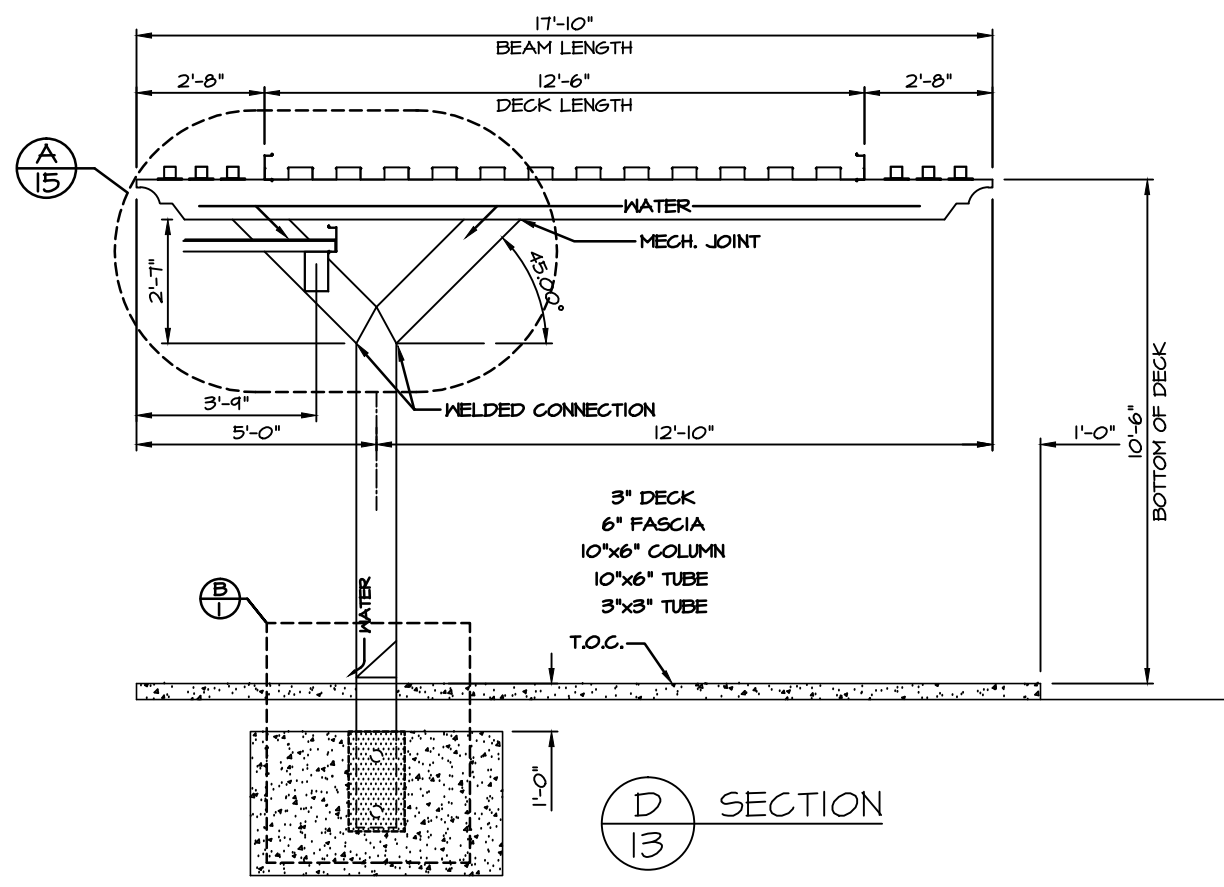


B SECTION
13

INSTALLER NOTE:
 COORDINATE DOWNSPOUT HEIGHT WITH GC,
 FIELD CUT ALL DOWNSPOUTS.



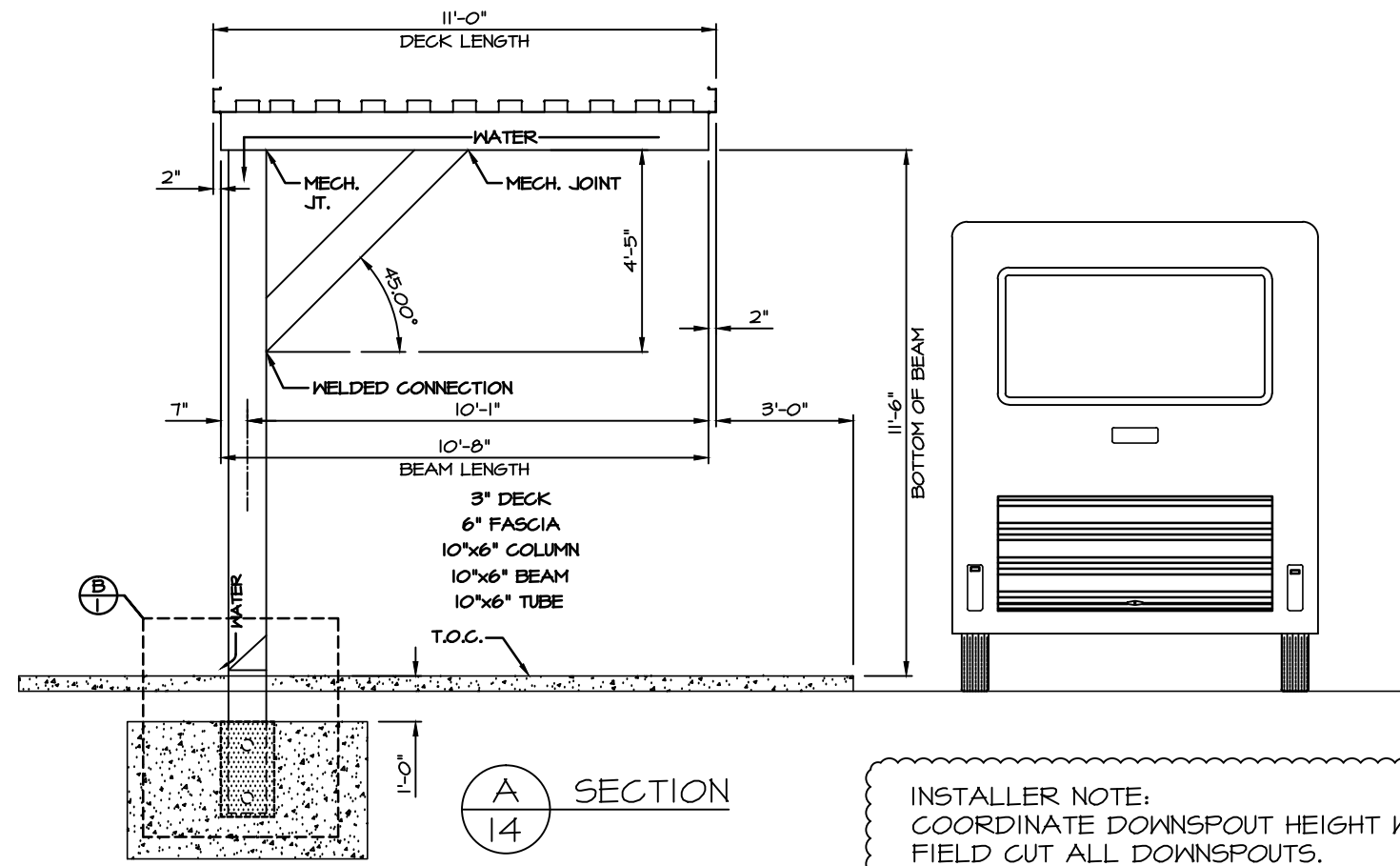
C SECTION
13



D SECTION
13

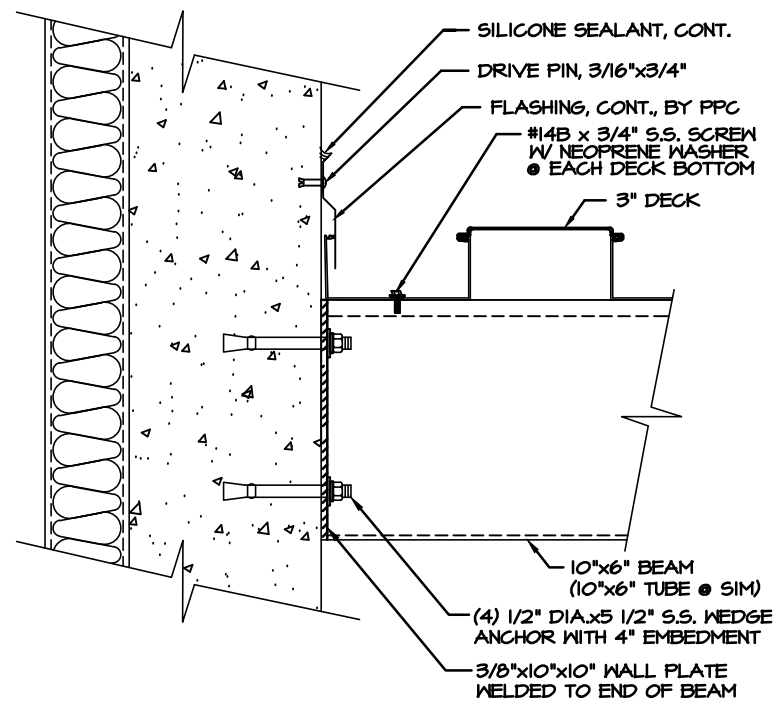
JOB NAME: CHENEY ELEMENTARY SCHOOL
 LOCATION: ORLANDO, FL
 ARCHITECT: REYNOLDS, SMITH AND HILLS, INC.
 CONTRACTOR: WILLIAMS COMPANY

REVISIONS	
12/21/05 LKA	
2/20/06 LKA	
DRAWN: LKA	
SCALE: AS SHOWN	
DATE: 10/31/05	
JOB #	
3695	
SHT 13 OF 19	

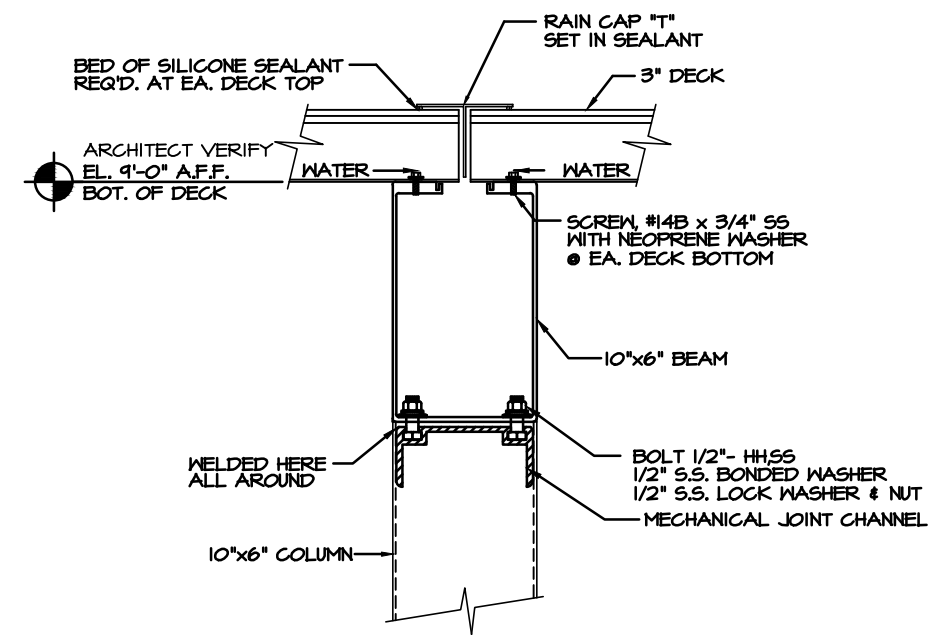


A SECTION
14

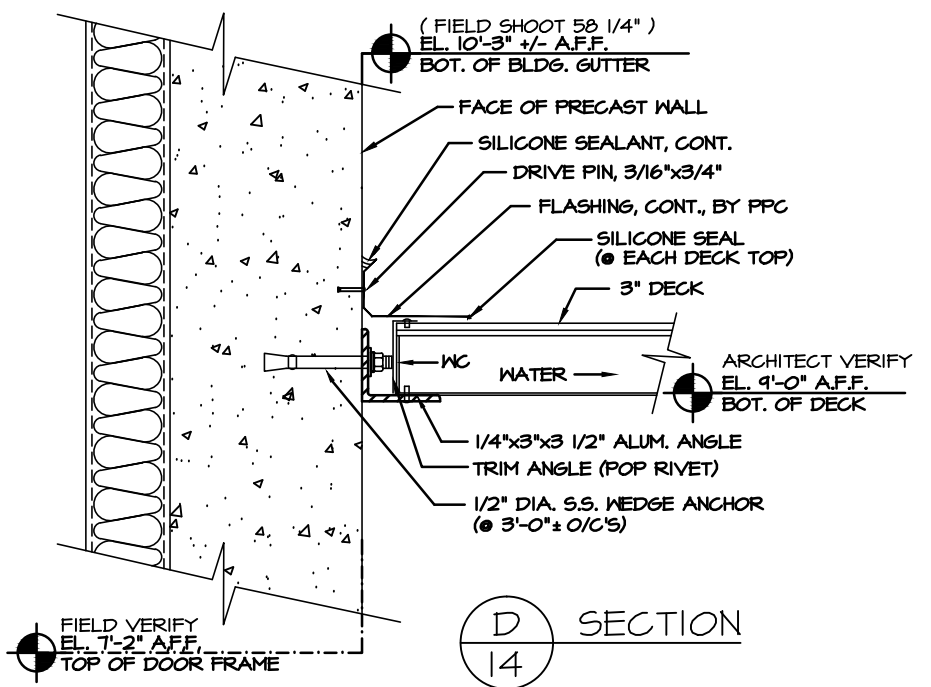
INSTALLER NOTE:
COORDINATE DOWNSPOUT HEIGHT WITH GC,
FIELD CUT ALL DOWNSPOUTS.



B DETAIL
14



C SECTION
14



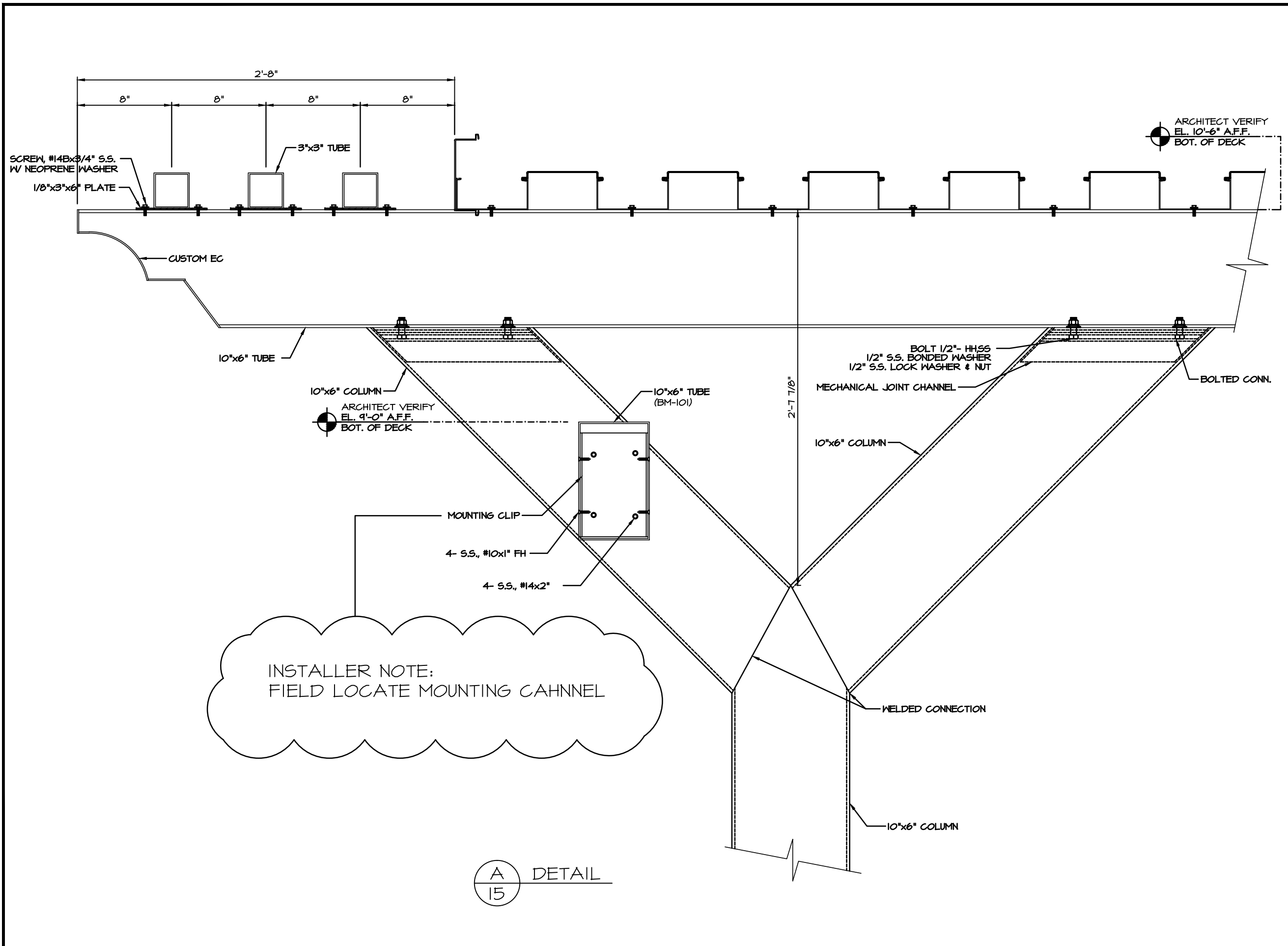
D SECTION
14



peachtree
protective
covers
14771 ROSEDALE DRIVE PHONE (770) 434-2120
HIRAM, GA 30141 FAX (770) 434-2122

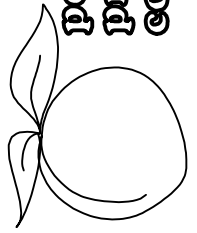
JOB NAME: CHENEY ELEMENTARY SCHOOL
LOCATION: ORLANDO, FL
ARCHITECT: REYNOLDS, SMITH AND HILLS, INC.
CONTRACTOR: WILLIAMS COMPANY

REVISIONS	
12/21/05 LKA	
2/20/06 LKA	
DRAWN: LKA	
SCALE: AS SHOWN	
DATE: 10/31/05	
JOB #	
3695	
SHT 14 OF 19	



JOB NAME: CHENEY ELEMENTARY SCHOOL
 LOCATION: ORLANDO, FL
 ARCHITECT: REYNOLDS, SMITH AND HILLS, INC.
 CONTRACTOR: WILLIAMS COMPANY

REVISIONS	
2/20/06	LKA
DRAWN: LKA	
SCALE: AS SHOWN	
DATE: 10/31/05	
JOB #	
3695	
SHT 15 OF 19	



JOB NAME: CHENEY ELEMENTARY SCHOOL

LOCATION: ORLANDO, FL

ARCHITECT: REYNOLDS, SMITH AND HILLS, INC.

CONTRACTOR: WILLIAMS COMPANY

REVISIONS

DRAWN: LKA

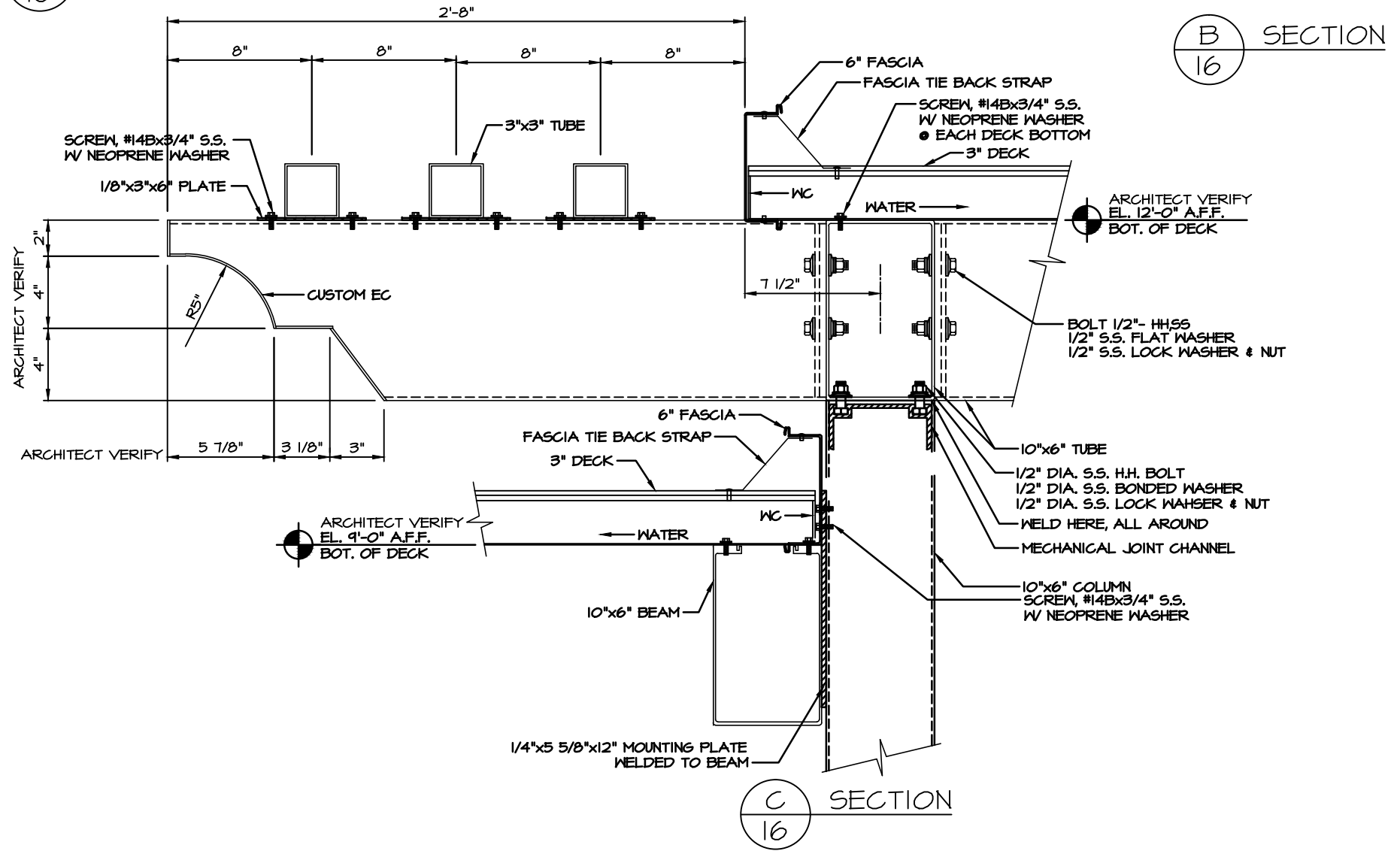
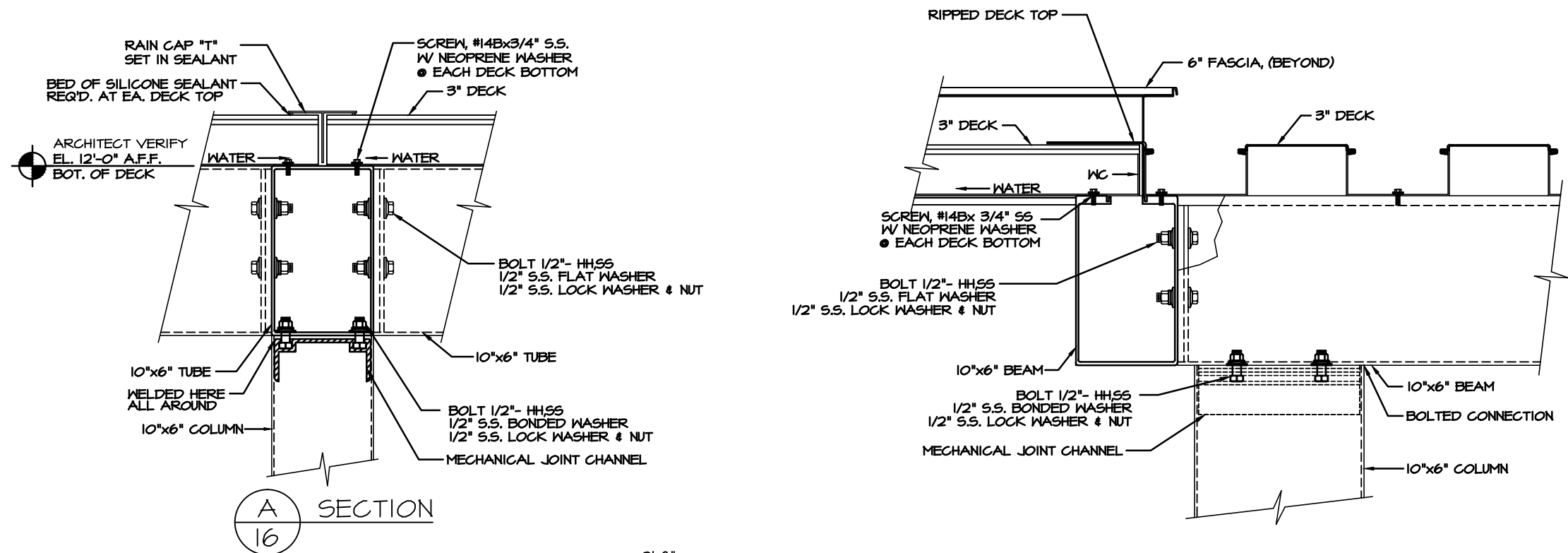
SCALE: AS SHOWN

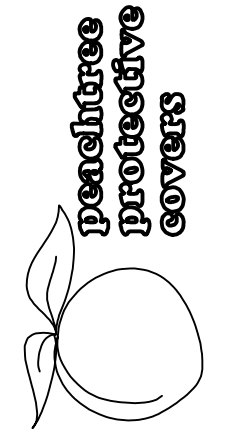
DATE: 10/31/05

JOB #

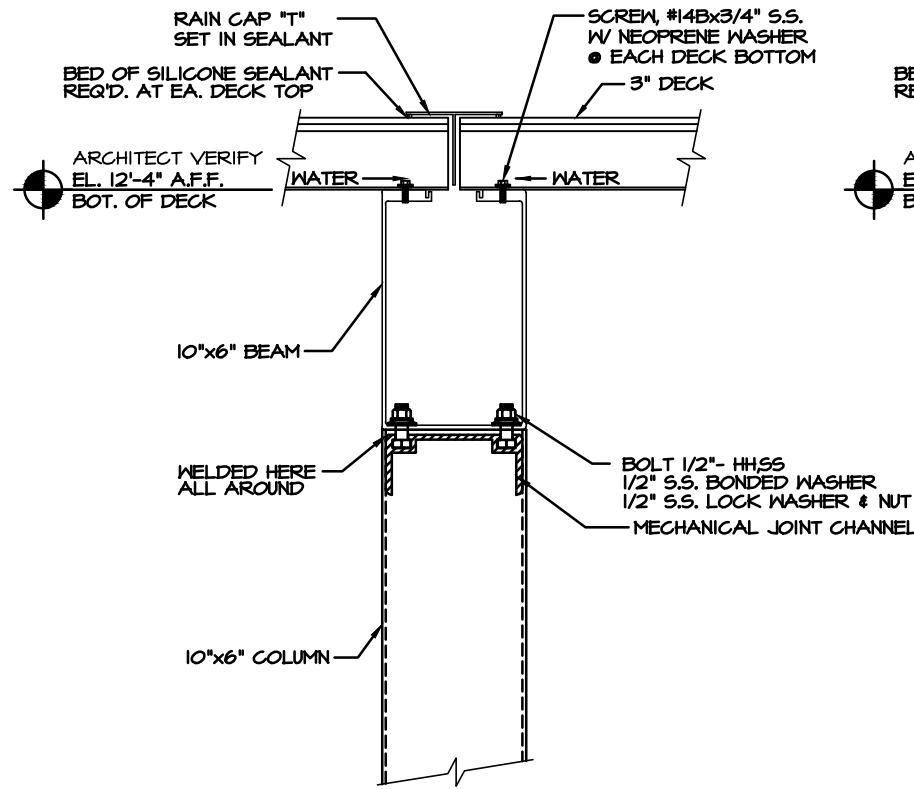
3695

SHT 16 OF 19

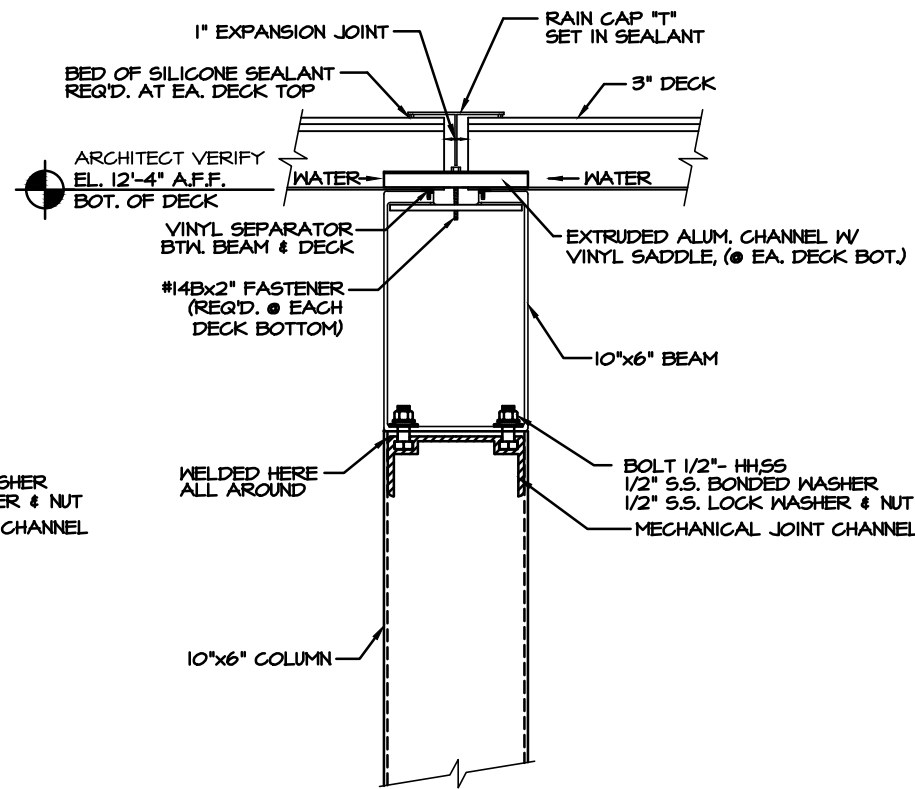




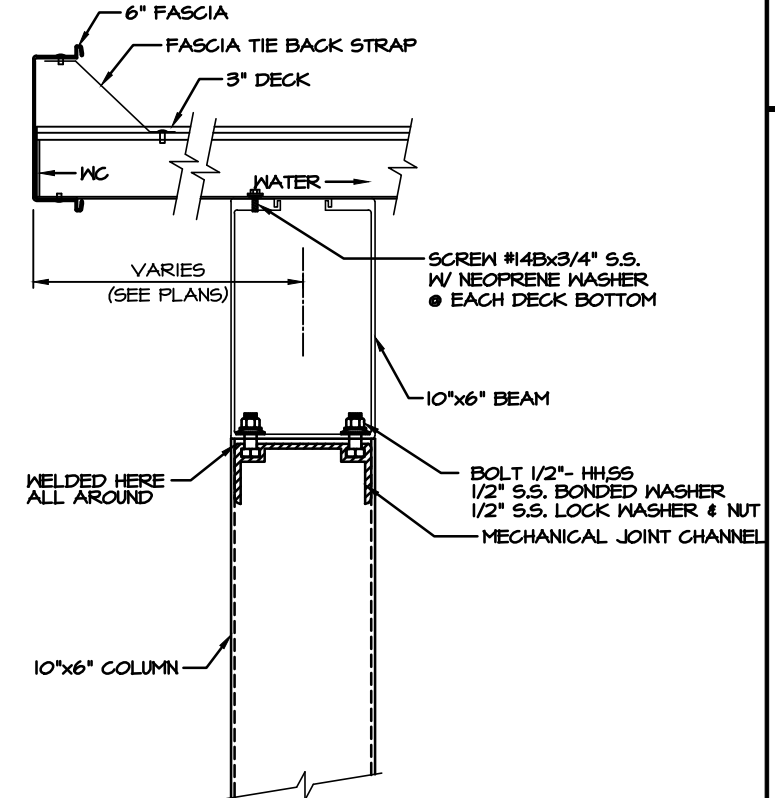
14771 ROSEDALE DRIVE PHONE (770) 434-2120
 HIRSH, GA 30141 FAX (770) 434-2122



A SECTION
17



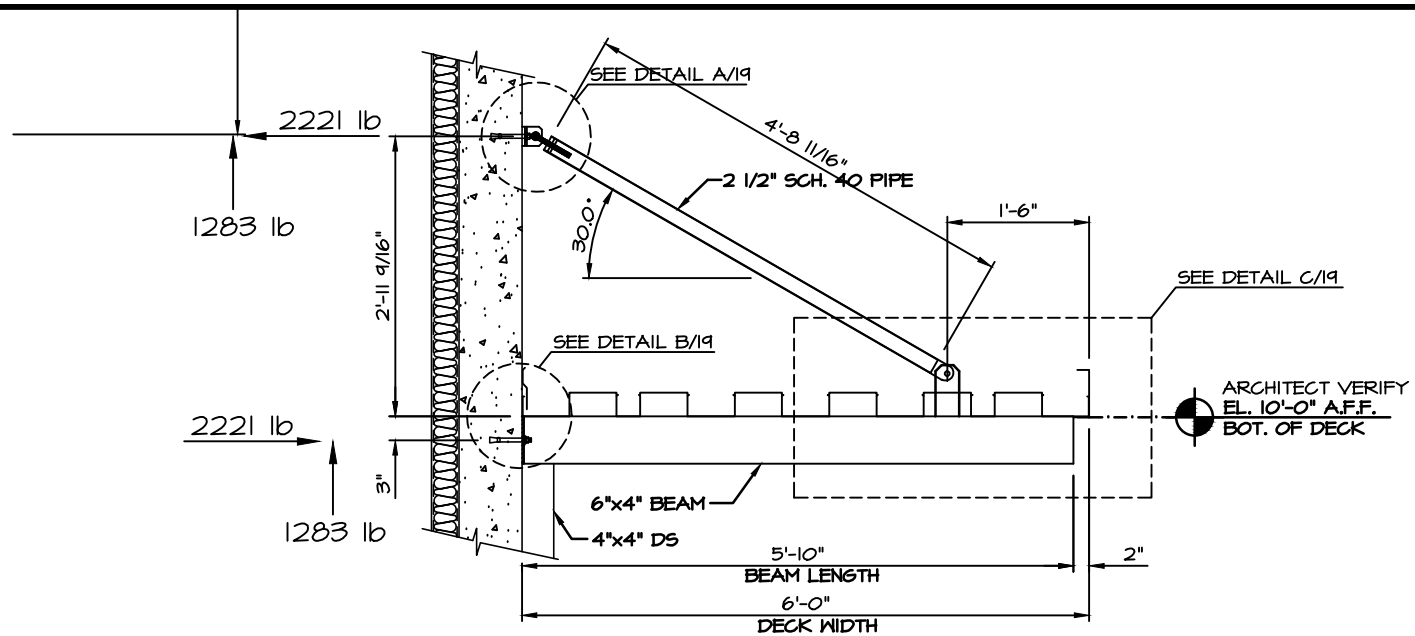
B SECTION
17



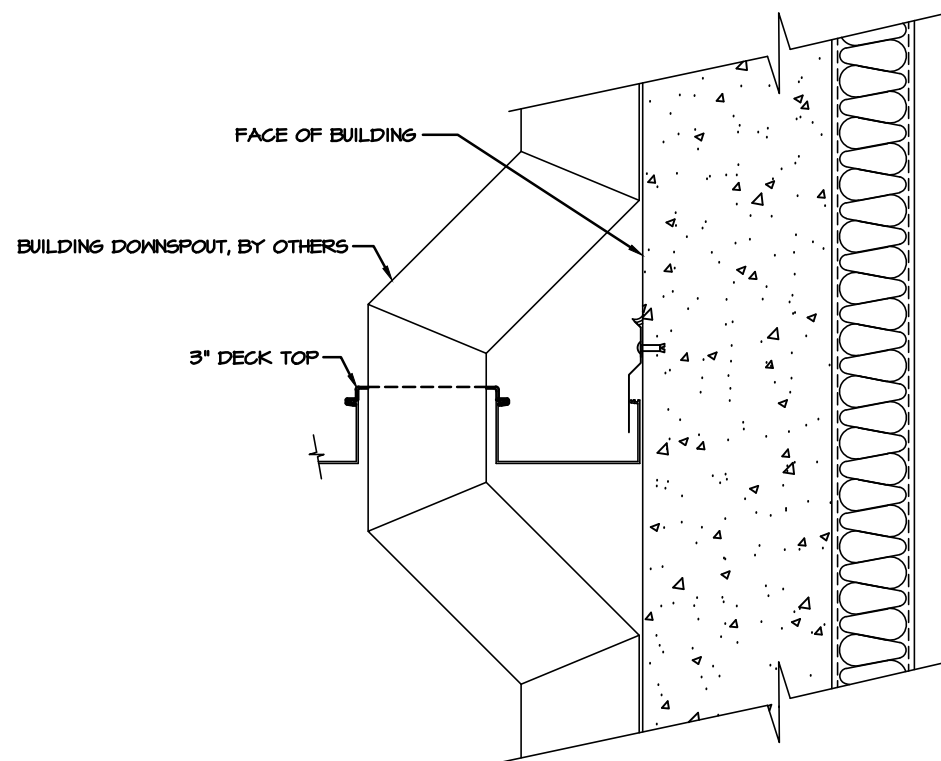
C SECTION
17

JOB NAME: CHENEY ELEMENTARY SCHOOL
 LOCATION: ORLANDO, FL
 ARCHITECT: REYNOLDS, SMITH AND HILLS, INC.
 CONTRACTOR: WILLIAMS COMPANY

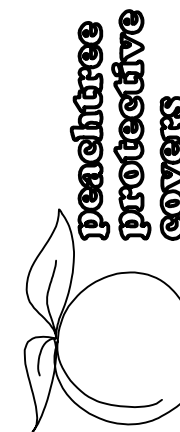
REVISIONS	
DRAWN: LKA	
SCALE: AS SHOWN	
DATE: 10/31/05	
JOB #	
3695	
SHT 17 OF 19	



A SECTION
18 CANOPIES C, E, F, G & H



B SECTION
18



14771 ROSEDALE DRIVE PHONE (770) 434-2120
HIRAM, GA 30141 FAX (770) 434-2122

JOB NAME: CHENEY ELEMENTARY SCHOOL

LOCATION: ORLANDO, FL

ARCHITECT: REYNOLDS, SMITH AND HILLS, INC.

CONTRACTOR: WILLIAMS COMPANY

REVISIONS

12/21/05 LKA	
2/20/06 LKA	

DRAWN: LKA

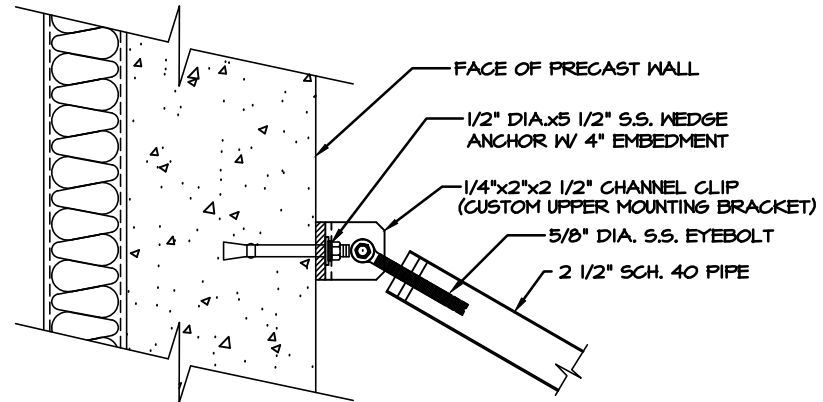
SCALE: AS SHOWN

DATE: 10/31/05

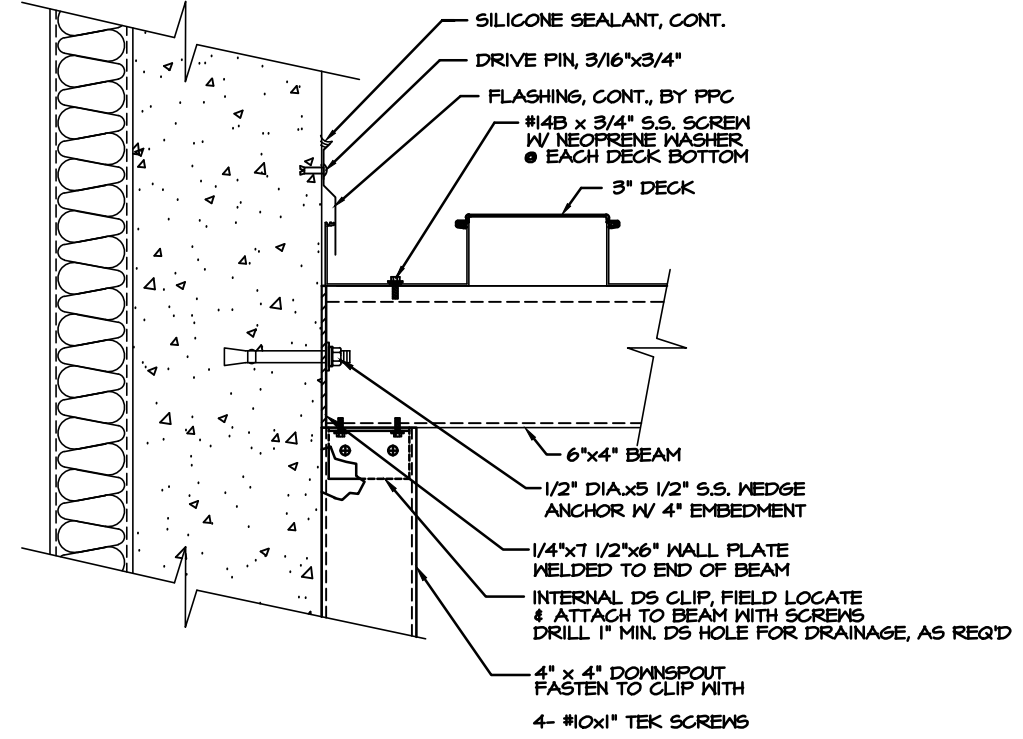
JOB #

3695

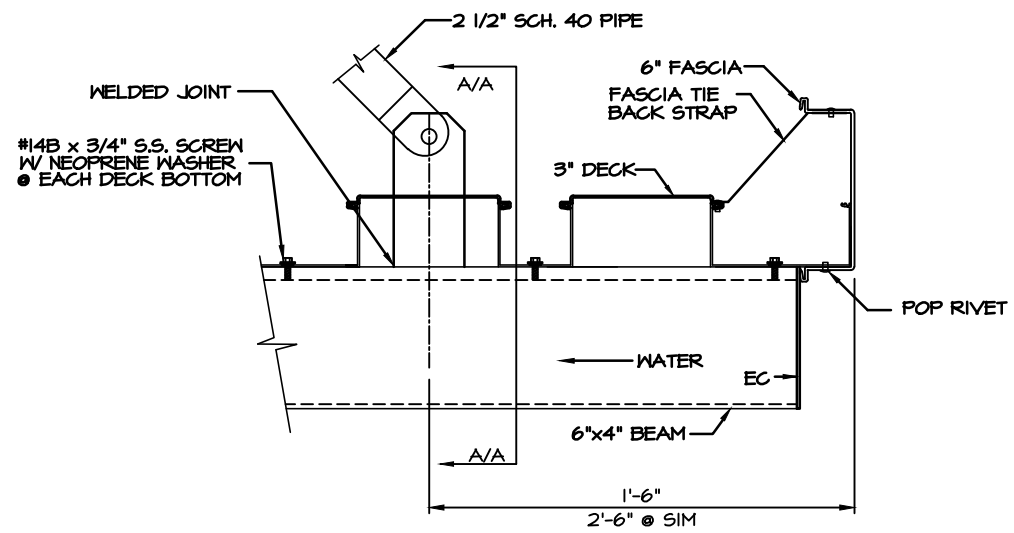
SHT 18 OF 19



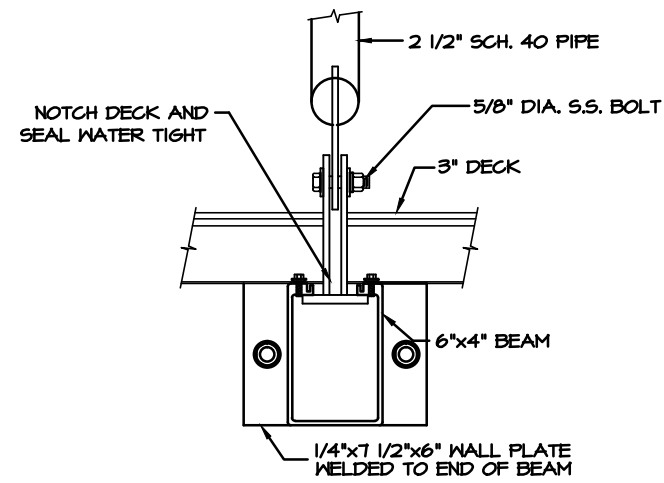
A
19
DETAIL



B
19
DETAIL



C
19
DETAIL



A
A
SECTION



14771 ROSEDALE DRIVE PHONE (770) 434-2120
HIRAM, GA 30141 FAX (770) 434-2122

JOB NAME: CHENEY ELEMENTARY SCHOOL
LOCATION: ORLANDO, FL
ARCHITECT: REYNOLDS, SMITH AND HILLS, INC.
CONTRACTOR: WILLIAMS COMPANY

REVISIONS	

DRAWN: LKA

SCALE: AS SHOWN

DATE: 10/31/05

JOB #
3695
SHT 19 OF 19