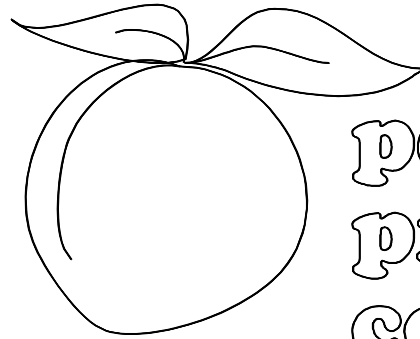


JOB # 2772



peachtree  
protective  
covers

FLETC MOCK PORT OF ENTRY  
GLYNCO, GA

BY

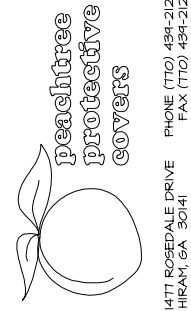
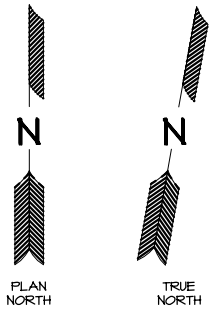
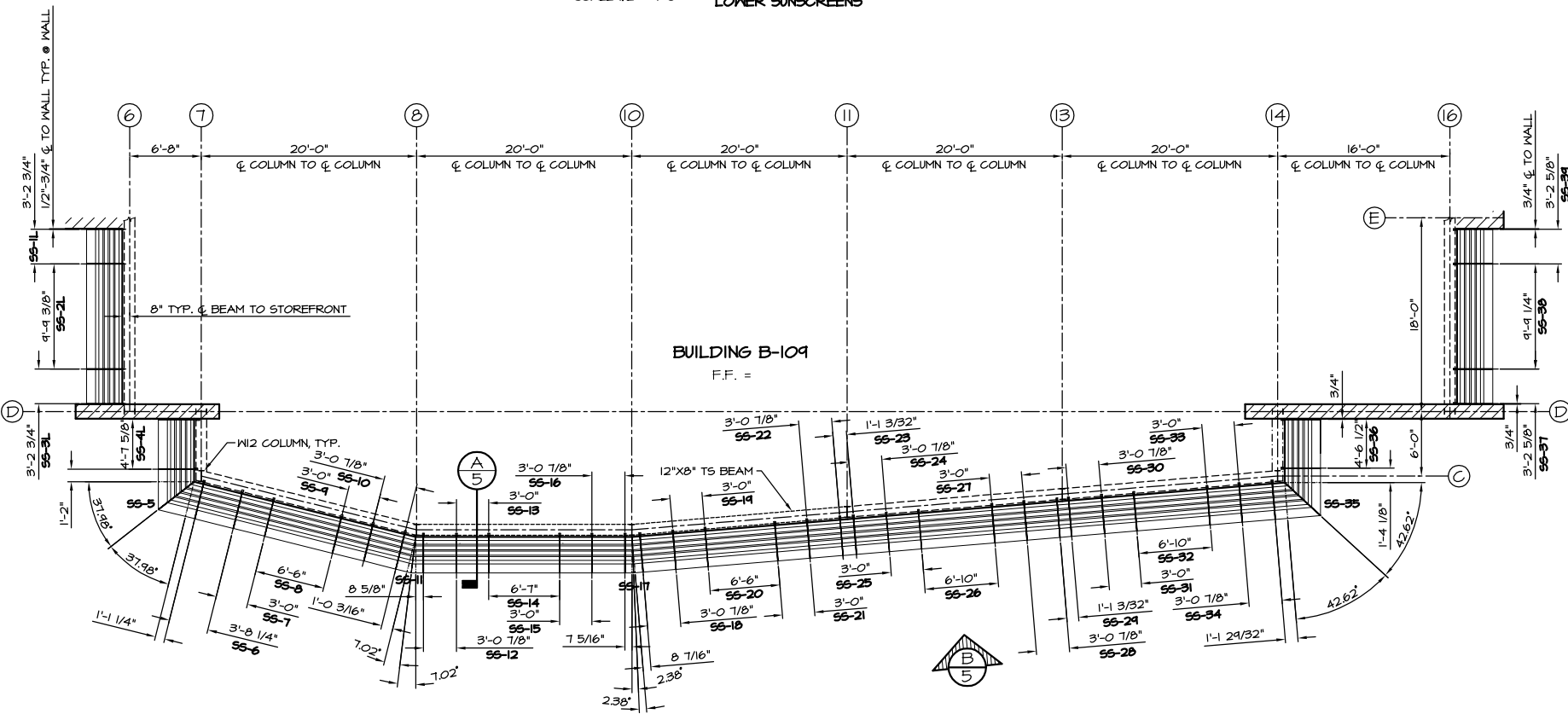
ENWRIGHT ASSOCIATES, INC.

OCTOBER 3, 2002

1477 ROSEDALE DRIVE  
HIRAM, GA 30141  
(770) 439-2120  
fax (770) 439-2122

# SUNSCREEN PLAN VIEW

SCALE 1/2" = 1'-0" LOWER SUNSCREENS



peachtree  
protective  
covers  
1477 ROSEDALE DRIVE  
HIRAM, GA 30141  
PHONE (770) 434-2120  
FAX (770) 434-2122

JOB NAME: FLETCHER PORT OF ENTRY  
LOCATION: GLYNCO, GA  
ARCHITECT: NARIGHT ASSOCIATES, INC.  
CONTRACTOR: BEERS SKANSKA, INC.

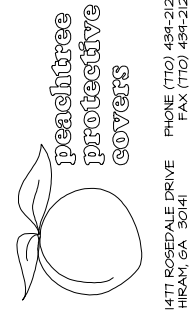
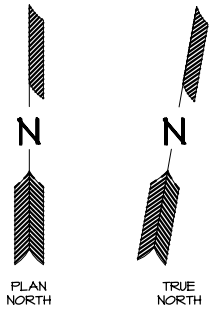
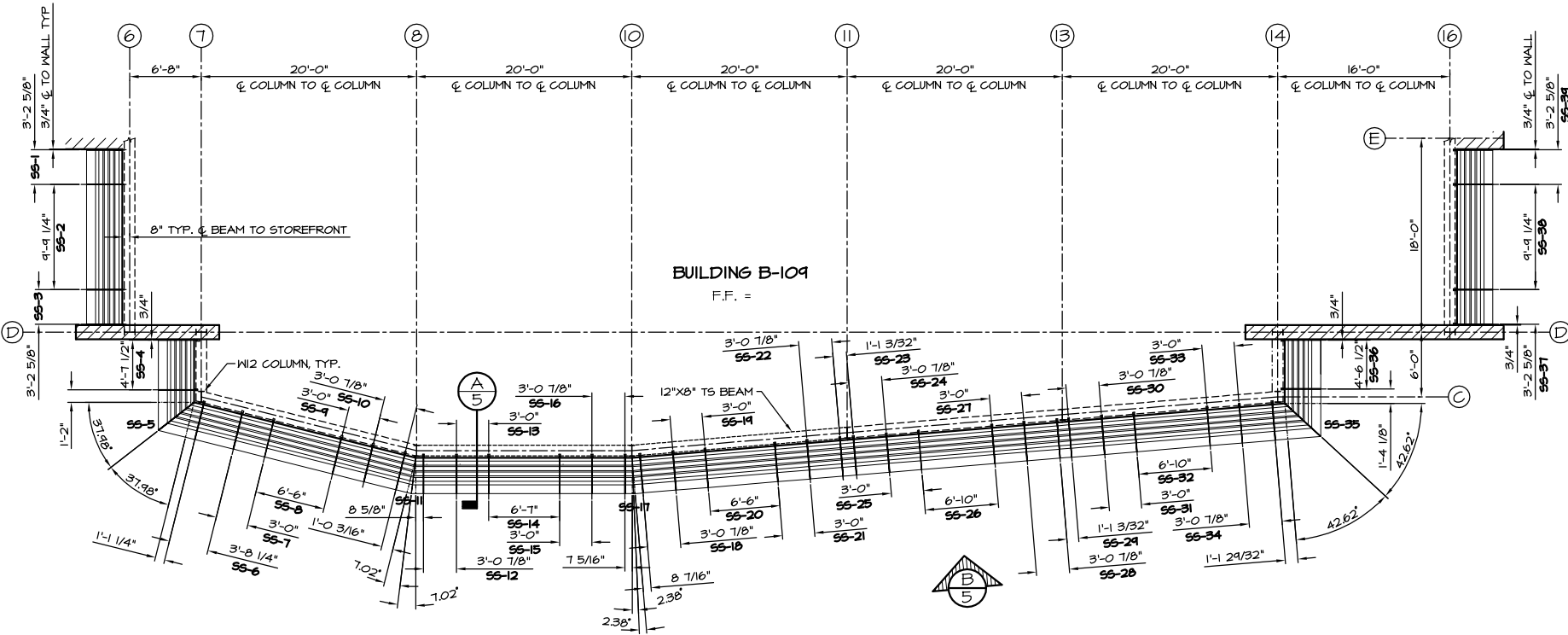
REVISIONS	
6/26/02 AM	
10/3/02 AM	
DRAWN: ALLAN	
SCALE: AS SHOWN	
DATE: 5/14/02	

FINISH SCHEDULE		
DESCRIPTION	FINISH	COLOR
6" ELLIPTICAL BLADE	KYNAR 2-COAT	BONE WHITE
1/4" PLATE OUTRIGGER	KYNAR 2-COAT	BONE WHITE
BOX FASCIA	KYNAR 2-COAT	BONE WHITE

JOB #  
**2772**  
SHT 1 OF 6

# SUNSCREEN PLAN VIEW

SCALE 1/2" = 1'-0" UPPER SUNSCREENS



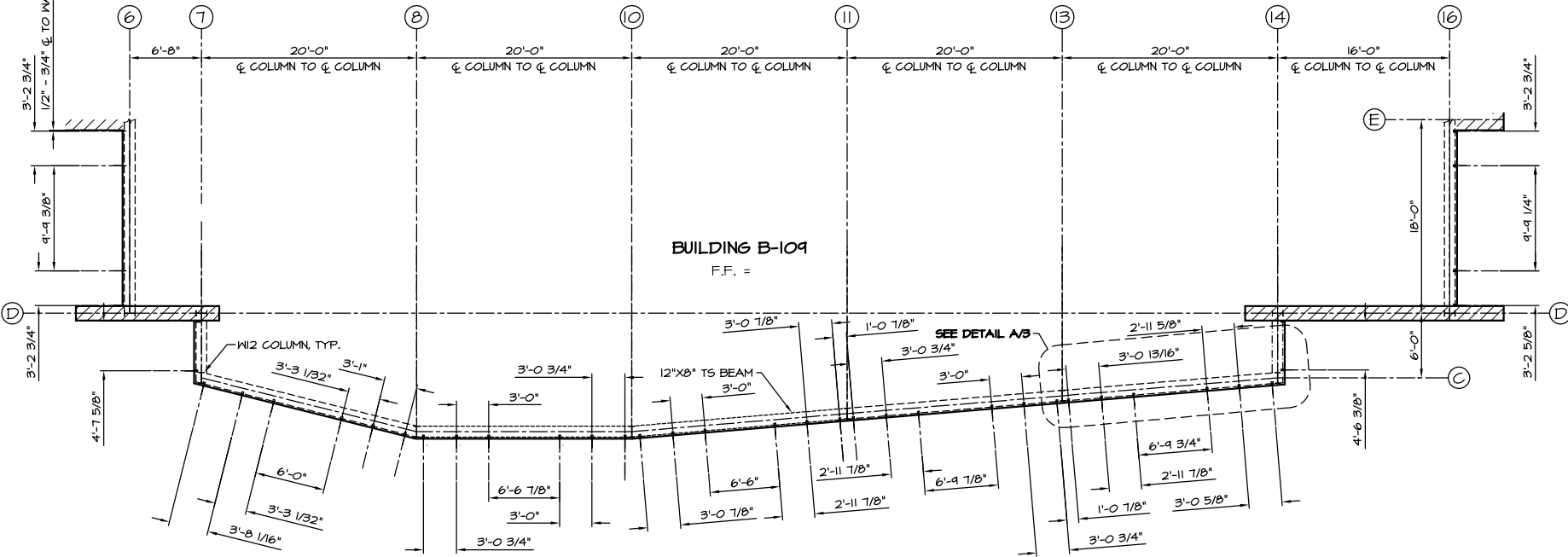
1411 ROSEDALE DRIVE  
HIRAM, GA 30141  
PHONE (770) 434-2120  
FAX (770) 434-2122

JOB NAME: FLETCHER PORT OF ENTRY  
 LOCATION: GLYNCO, GA  
 ARCHITECT: NARIGHT ASSOCIATES, INC.  
 CONTRACTOR: BEERS SKANSKA, INC.

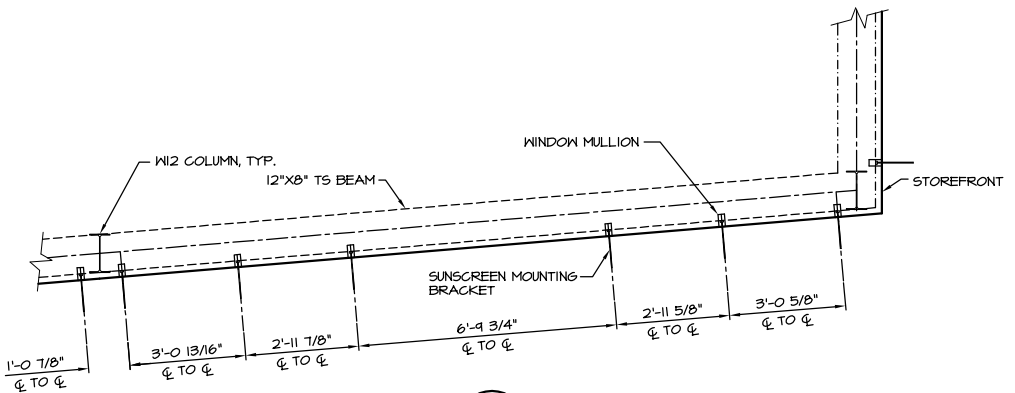
REVISIONS	
6/26/02 AM	
10/3/02 AM	
DRAWN: ALLAN	
SCALE: AS SHOWN	
DATE: 5/14/02	
JOB #	
2772	
SHT 2 OF 6	

# STEEL FRAMING PLAN VIEW

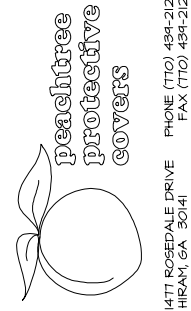
SCALE 1/2" = 1'-0" LOWER SUNSCREENS



BUILDING B-109  
F.F. =



**A**  
**3** DETAIL

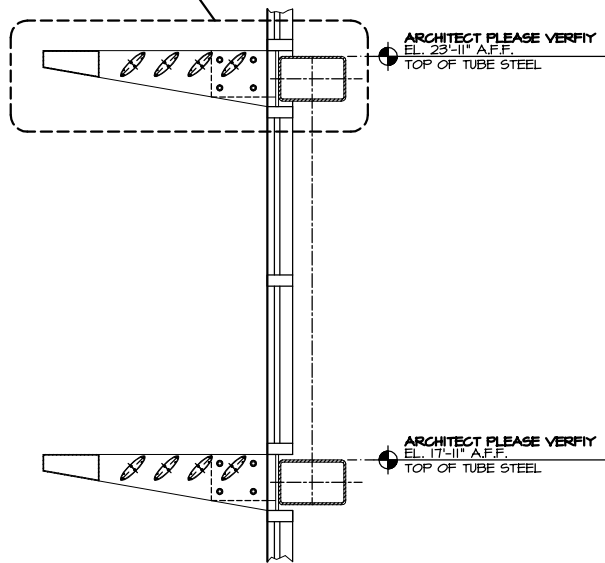


peachtree  
protective  
covers  
14111 ROSEDALE DRIVE  
HIRAM, GA 30141  
PHONE (770) 434-2100  
FAX (770) 434-2122

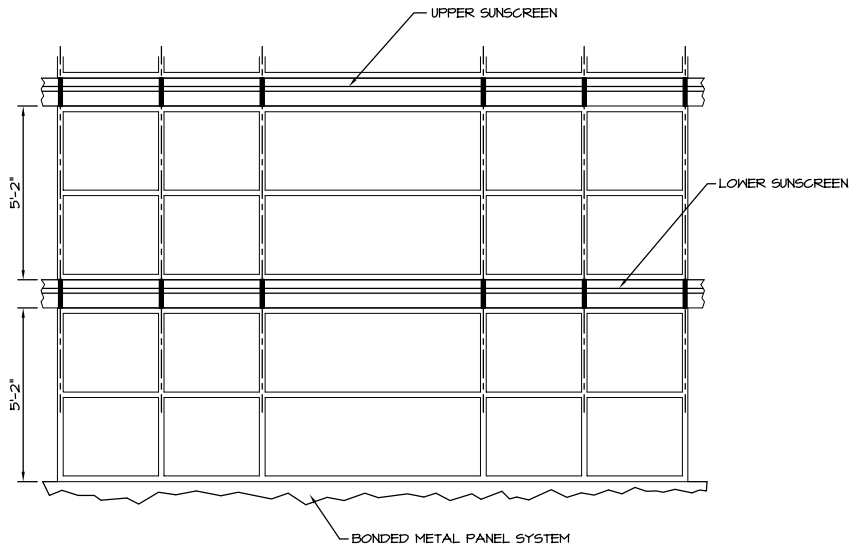
JOB NAME: FLETC MOCK PORT OF ENTRY  
LOCATION: GLYNCO, GA  
ARCHITECT: NARWRIGHT ASSOCIATES, INC.  
CONTRACTOR: BEERS SKANSKA, INC.

REVISIONS	
6/26/02 AM	
10/3/02 AM	
DRAWN: ALLAN	
SCALE: AS SHOWN	
DATE: 5/14/02	
JOB #	
2772	
SHT 3 OF 6	

SEE DETAIL A/6



**A**  
5 SECTION



**B**  
5 ELEVATION  
TYPICAL

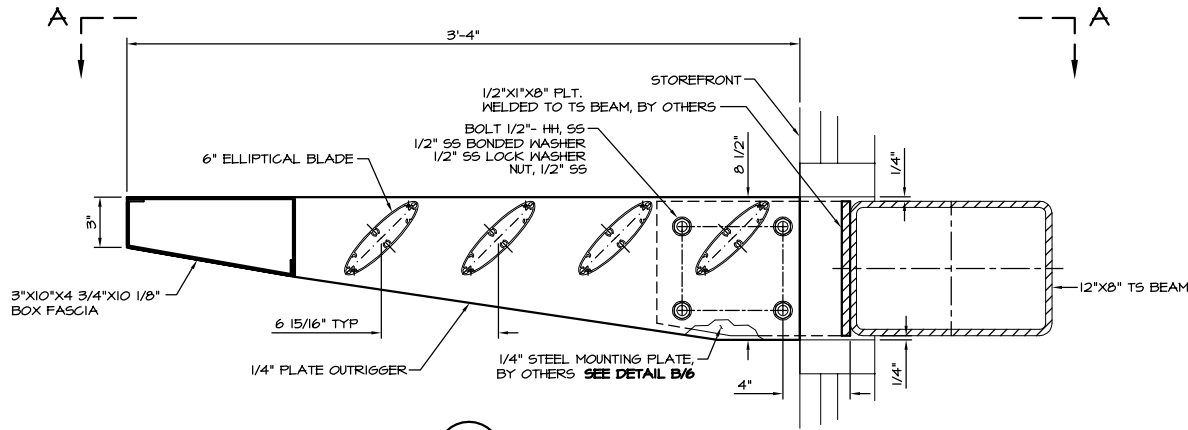
NOTE:  
SOME BACKGROUND DETAILS  
OMITTED FOR CLARITY.



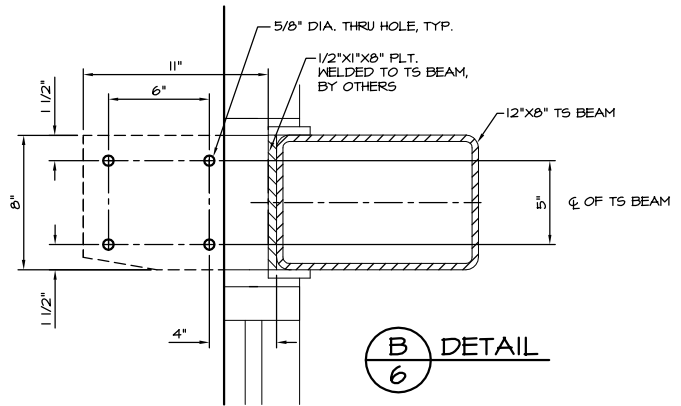
1477 ROSEDALE DRIVE HIRAM, GA 30141  
PHONE (770) 434-2120  
FAX (770) 434-2122

JOB NAME: FLETC MOCK PORT OF ENTRY  
LOCATION: GLYNCO, GA  
ARCHITECT: ENRIGHT ASSOCIATES, INC.  
CONTRACTOR: BEERS SKANSKA, INC.

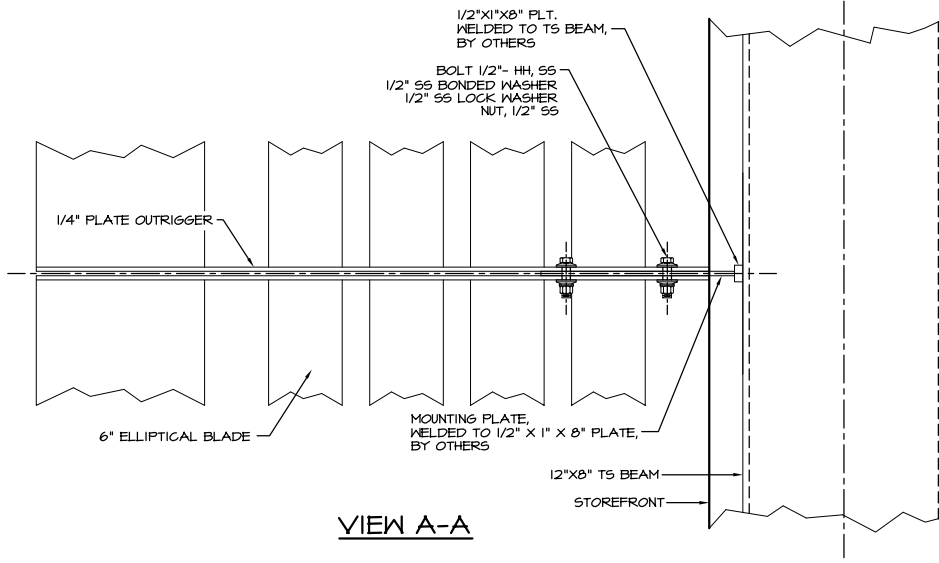
REVISIONS	
10/3/02 AM	
DRAWN: ALLAN	
SCALE: AS SHOWN	
DATE: 5/14/02	
JOB #	
2772	
SHT 5 OF 6	



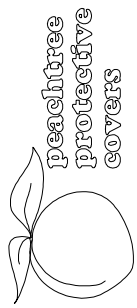
**A** DETAIL  
6



**B** DETAIL  
6



VIEW A-A



1477 ROSDALE DRIVE  
HIRAM, GA 30141  
PHONE (770) 434-2100  
FAX (770) 434-2122

JOB NAME: FLETC MOCK PORT OF ENTRY  
LOCATION: GLYNCO, GA  
ARCHITECT: ENRIGHT ASSOCIATES, INC.  
CONTRACTOR: BEERS SKANSKA, INC.

REVISIONS

6/26/02 AM	
10/3/02 AM	

DRAWN: ALLAN

SCALE: AS SHOWN

DATE: 5/14/02

JOB #

2772

SHT 6 OF 6