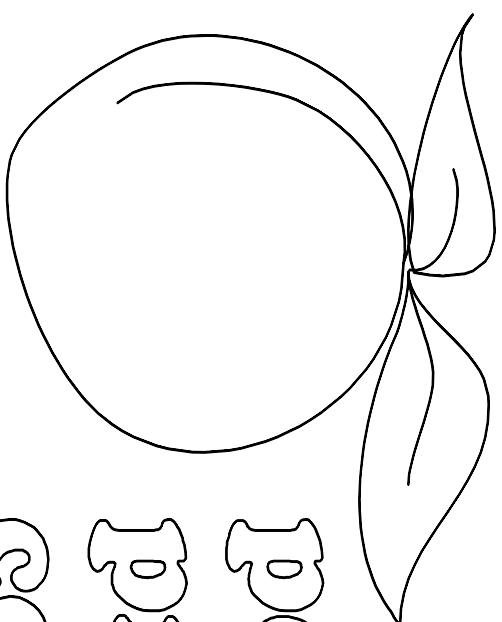


REVISION HISTORY	
DATE	DESCRIPTION
12/3/10	1ST SUBMITTAL
2/12/11	2ND SUBMITTAL
3/10/11	INITIAL F & F

JOB # 4950



peachtree  
protective  
covers

FBC LIBRARY - UNIVERSITY  
BRANCH

SUGAR LAND, TX

BY

RAY BAILLEY ARCHITECTS, INC.

MARCH 10, 2011

NOTE:  
PEACHTREE PROTECTIVE COVERS RESERVES  
THE RIGHT TO INSTALL MECHANICAL JOINTS  
IN COLUMNS THAT EXCEED SHIPPING LIMITATIONS

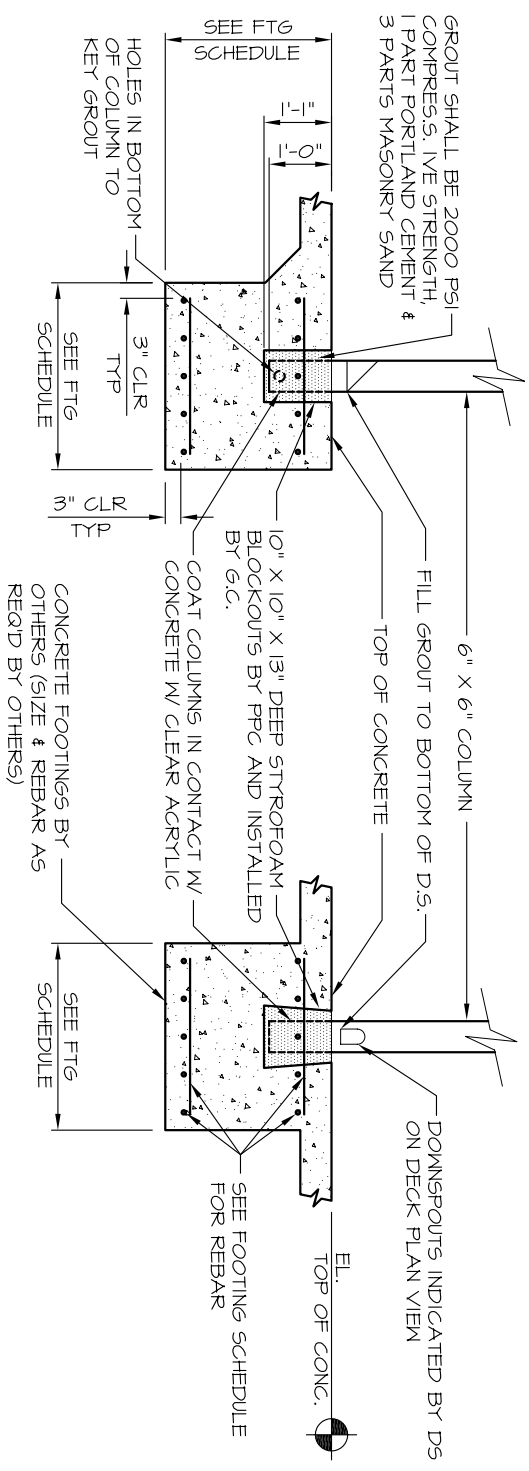
1477 ROSEDALE DRIVE  
HIRAM, GA 30141  
(770) 439-2120  
Fax (770) 439-2122

# GENERAL NOTES

**FABRICATION NOTE:**  
 PPC WILL FIELD MEASURE THE SITE PRIOR TO FABRICATION OF THE TRELLIS SYSTEM. FIELD MEASUREMENTS WILL BE TAKEN AFTER ALL FOOTINGS/BLOCKOUTS ARE SET AND ADJACENT/EXTERIOR BUILDING SKIN IS COMPLETE. AS PART OF THE FIELD MEASUREMENT PROCESS, WE WILL SHOOT THE ELEVATION AT EACH COLUMN LOCATION AND MEASURE THE LOCATION OF EACH BLOCKOUT RELATIVE TO ONE ANOTHER, RELATIVE TO FINISHED FLOOR, AND RELATIVE TO THE SKIN OF THE BUILDING TO WHICH OUR SYSTEM WILL BE CONNECTED. FIELD MEASUREMENTS ARE TYPICALLY A REQUIREMENT OF THE SPECIFICATION AND ARE REQUIRED IN ORDER TO INSURE THAT THE TRELLIS SYSTEM IS CONSTRUCTED TO FIT ACTUAL JOB SITE CONDITIONS. DUE TO THE NATURE OF EXTRUDED ALUMINUM CANOPY DESIGN, THE SYSTEM CANNOT BE "FABRICATED TO APPROVED SHOP DRAWINGS".

**FINISH NOTE:**  
 WITHIN THE FINISH SCHEDULE ON SHEET #1, PPC HAS INDICATED THE FINISH AND COLOR THAT WE UNDERSTAND TO BE THE ARCHITECT'S INTENT. THIS FINISH SCHEDULE IS IN ACCORDANCE WITH OUR PROPOSAL. APPROVAL OF THE SHOP DRAWINGS WITHOUT COMMENT IN THIS AREA WILL BE INTERPRETED AS APPROVAL OF THE FINISH/COLOR INDICATED. WHERE APPLICABLE A COLOR CHART IS PROVIDED FOR USE IN SELECTING PAINT COLOR. THE STANDARD COLORS OFFERED BY PPC ARE MARKED ON THIS CHART TO AVOID ADDITIONAL COSTS AND/OR SCHEDULE DELAYS, IT IS IMPORTANT TO SELECT FROM THESE STANDARD COLORS WHEN THE FINISH SCHEDULE INDICATES THAT A STANDARD COLOR IS WARRANTED. IN CASES WHERE A CUSTOM COLOR OR A MATCH OF A PARTICULAR COLOR IS REQUIRED, PPC WILL REQUIRE A SAMPLE OF THAT COLOR TO MATCH. IN THESE INSTANCES A "MATCH SAMPLE" WILL BE PROVIDED BY PPC FOR THE ARCHITECT TO ACCEPT OR REJECT. MATERIALS CANNOT BE ORDERED UNTIL THIS "MATCH SAMPLE" IS ACCEPTED.

**ATTACHMENT NOTE:**  
 IN ACCORDANCE WITH OUR UNDERSTANDING OF THE CONTRACT DOCUMENTS, PPC HAS DETAILED THE CONNECTIONS TO ADJACENT STRUCTURE TO THE BEST OF OUR ABILITY. ALL CONNECTION DETAILS NEED TO BE REVIEWED BY THE GC, ARCHITECT AND STRUCTURAL ENGINEER. PLEASE PROVIDED ANY/ALL REQUESTED INFORMATION SO AS TO ASSURE OUR TRELLIS (OR SUNSCREEN) CAN BE SUPPORTED PROPERLY. IF ANY QUESTIONS, PLEASE CONTACT PPC PROJECT MANAGEMENT.



**A** FOOTING DETAIL

## FOOTING SCHEDULE

### SIZE

### REBAR

TRELLIS A	2'-8" X 2'-8" X 2'-6" DEEP	(3) #5 REBAR, T & B, E.M.
TRELLIS B	3'-6" X 3'-6" X 3'-2" DEEP	(5) #5 REBAR, T & B, E.M.

## FINISH SCHEDULE

### DESCRIPTION

### FINISH

### COLOR

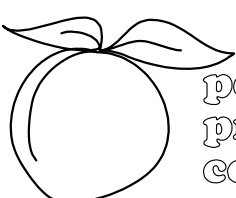
6" X 4" GUTTER FASCIA	ANODIZED	CLEAR, A31
3" DECK	ANODIZED	CLEAR, A31
1/8" PLATE SOFFIT PANEL	ANODIZED	CLEAR, A31
1/4" X 4" OUTRIGGER	ANODIZED	CLEAR, A31
4" ELLIPTICAL BLADE	ANODIZED	CLEAR, A31
1/4" X 9" OUTRIGGER	ANODIZED	CLEAR, A31
12" ELLIPTICAL BLADE	ANODIZED	CLEAR, A31
12" ELLIPTICAL BLADE	ANODIZED	CLEAR, A31
3/8" X 3 1/2" X 6" ANGLE	ANODIZED	CLEAR, A31
6" X 6" BEAM	ANODIZED	CLEAR, A31
4" X 4" TUBE	ANODIZED	CLEAR, A31
6" X 2" TUBE	ANODIZED	CLEAR, A31
6" X 6" COLUMN	ANODIZED	CLEAR, A31

JOB NAME: FBC LIBRARY - UNIVERSITY BRANCH

LOCATION: SUGAR LAND, TX

ARCHITECT: RAY BAILEY ARCHITECTS, INC.

CONTRACTOR: E.E. REED CONSTRUCTION COMPANY, INC.



peachtree protective covers

1477 ROSEDALE DRIVE HIRAM, GA 30141 PHONE (770) 439-2120 FAX (770) 439-2122

### REVISIONS

2/12/11 JTG

DRAWN: JTG

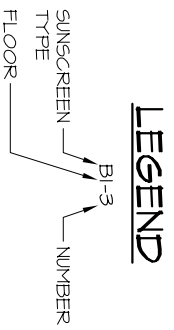
SCALE: AS SHOWN

DATE: 12/3/10

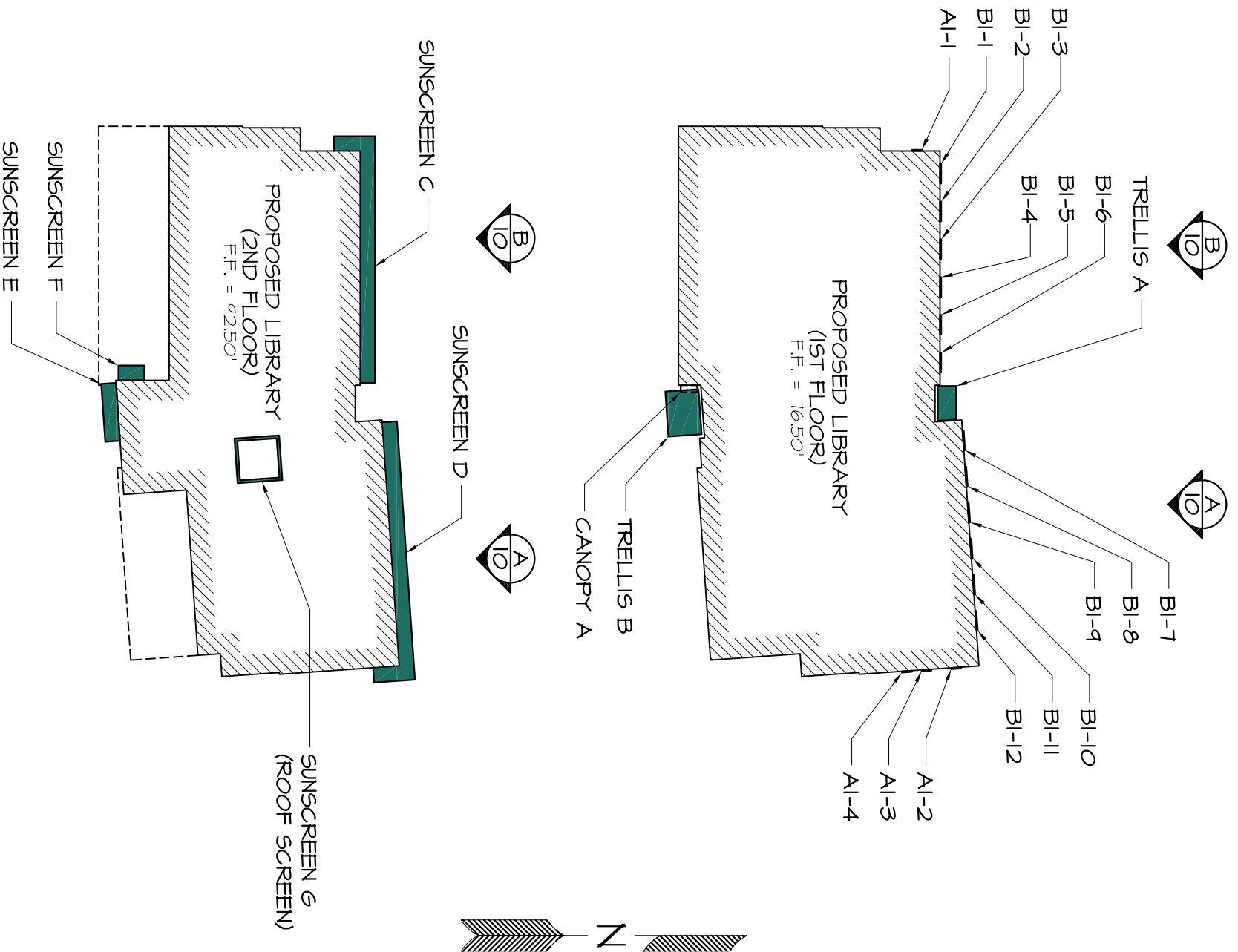
JOB #

4950

SHT 1 OF 25



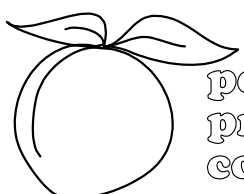
SUNSCREENS			
TYPE	SIZE	LOCATION	QUANTITIES
A	7'-11 1/2" X 5'-4"	1st FLOOR	4
B	3'-11 1/2" X 5'-4"	1st FLOOR	12
C	SEE PLAN	2nd FLOOR	1
D	SEE PLAN	2nd FLOOR	1
E	23'-6 5/8" X 6'-0"	2nd FLOOR	1
F	10'-6" X 6'-0"	2nd FLOOR	1
G	SEE PLAN	ROOF	1



**KEY PLAN**  
 N.T.S.

JOB NAME: FBC LIBRARY - UNIVERSITY BRANCH  
 LOCATION: SUGAR LAND, TX

ARCHITECT: RAY BAILEY ARCHITECTS, INC.  
 CONTRACTOR: E.E. REED CONSTRUCTION COMPANY, INC.



peachtree  
 protective  
 covers

1477 ROSEDALE DRIVE PHONE (770) 439-2120  
 HIRAM, GA 30141 FAX (770) 439-2122

REVISIONS

DRAWN: JT6

SCALE: AS SHOWN

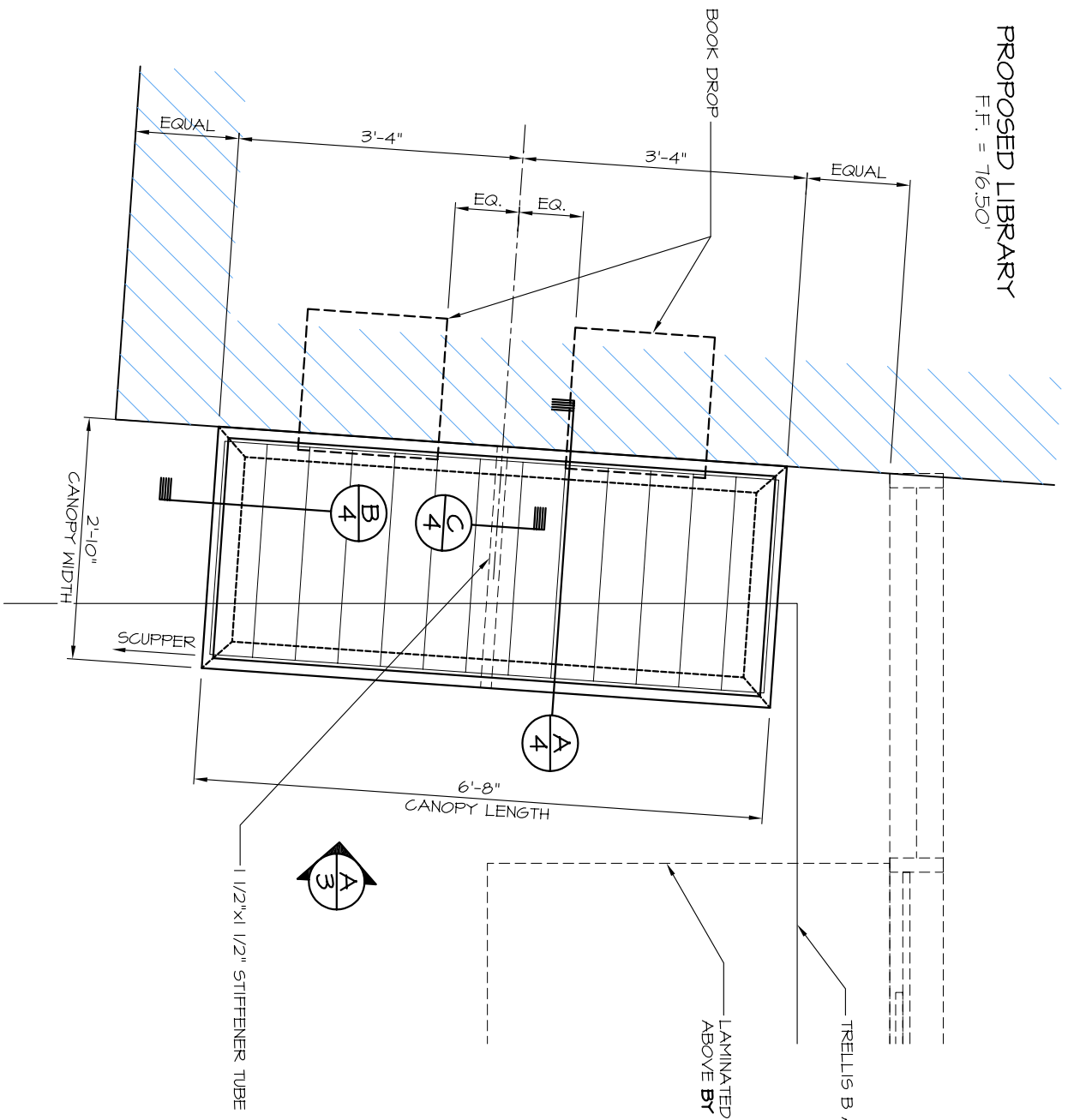
DATE: 12/3/10

JOB #

**4950**

SHT 2 OF 25

PROPOSED LIBRARY  
 F.F. = 76.50'



**CANOPY PLAN VIEW**  
 SCALE: 1/2"=1'-0"  
 CANOPY A

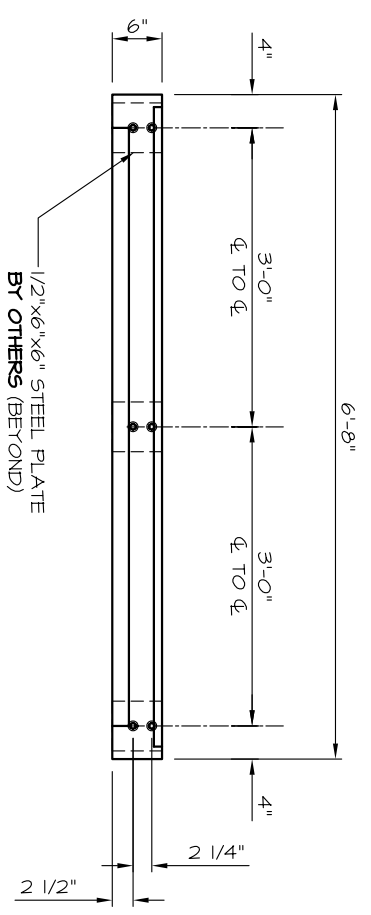
ARCHITECT VERIFY  
 EL. 8'-3" A.F.F.  
 $\varnothing$  OF 6"x6" STL. PLATE

LAMINATED GLAZING  
 ABOVE BY OTHERS

TRELLIS B ABOVE

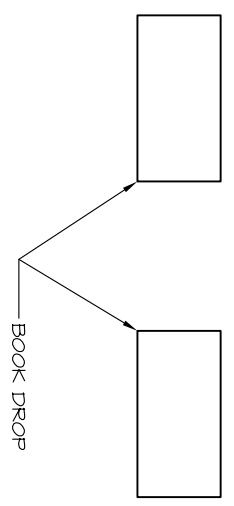
ARCHITECT VERIFY  
 EL. 8'-0" A.F.F.  
 BOT. OF CANOPY

FACE OF EXTERIOR WALL



**BOLT SETTING ELEVATION**  
 SCALE: 3/8"=1'-0"  
 CANOPY A

6"x4" GUTTER FASCIA  
 W/ 3" DECK BEYOND



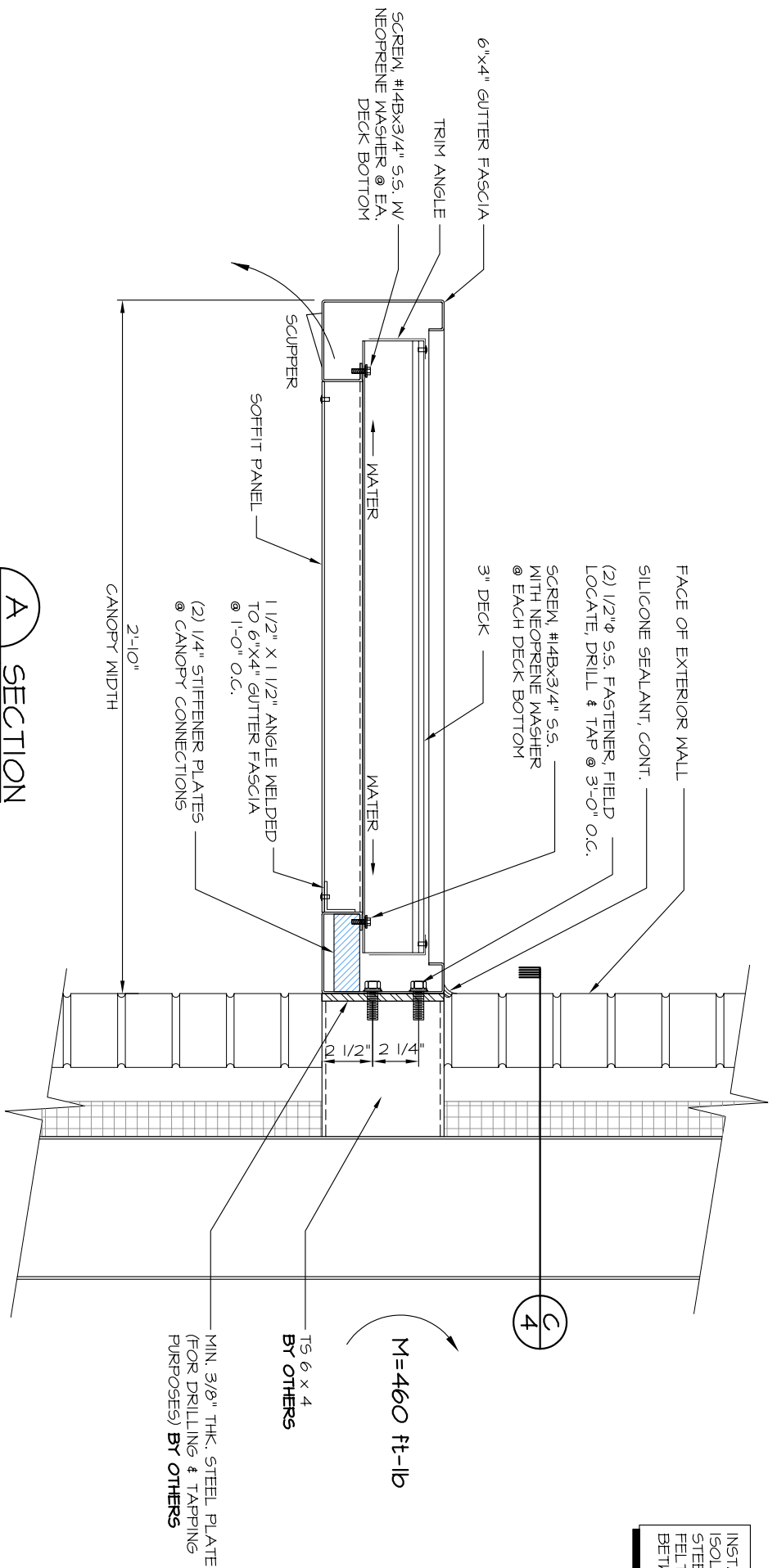
**A ELEVATION**  
 CANOPY A

REVISIONS

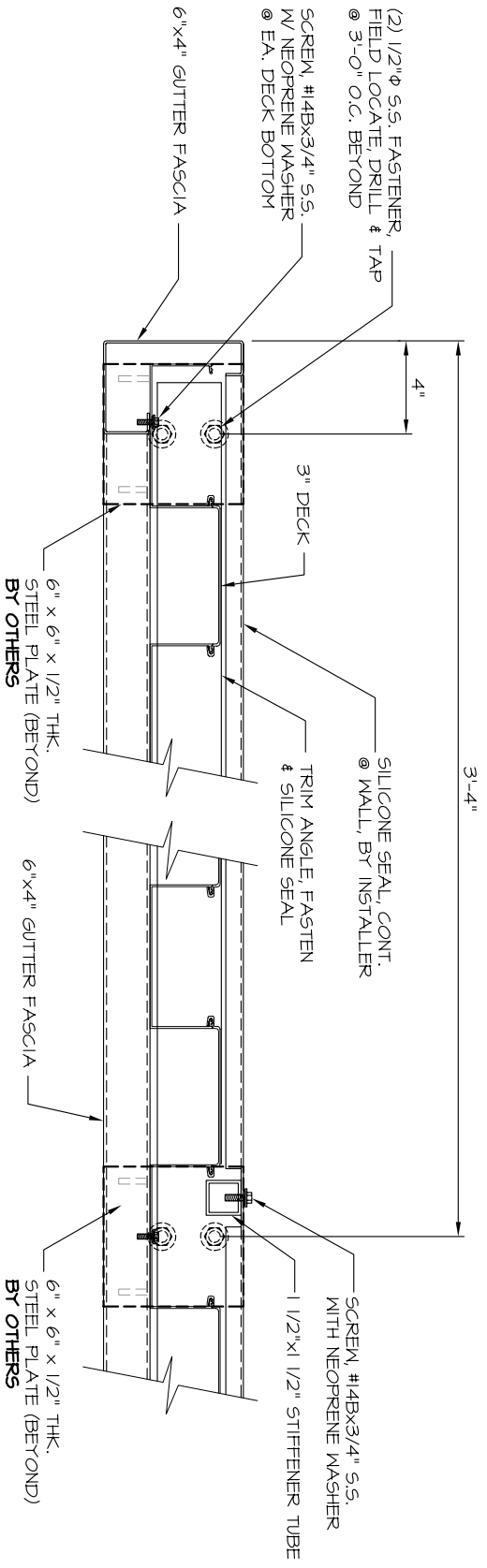
JOB NAME: FBC LIBRARY - UNIVERSITY BRANCH  
 LOCATION: SUGAR LAND, TX  
 ARCHITECT: RAY BAILEY ARCHITECTS, INC.  
 CONTRACTOR: E.E. REED CONSTRUCTION COMPANY, INC.

1477 ROSEDALE DRIVE HIRAM, GA 30141  
 PHONE (770) 439-2120 FAX (770) 439-2122

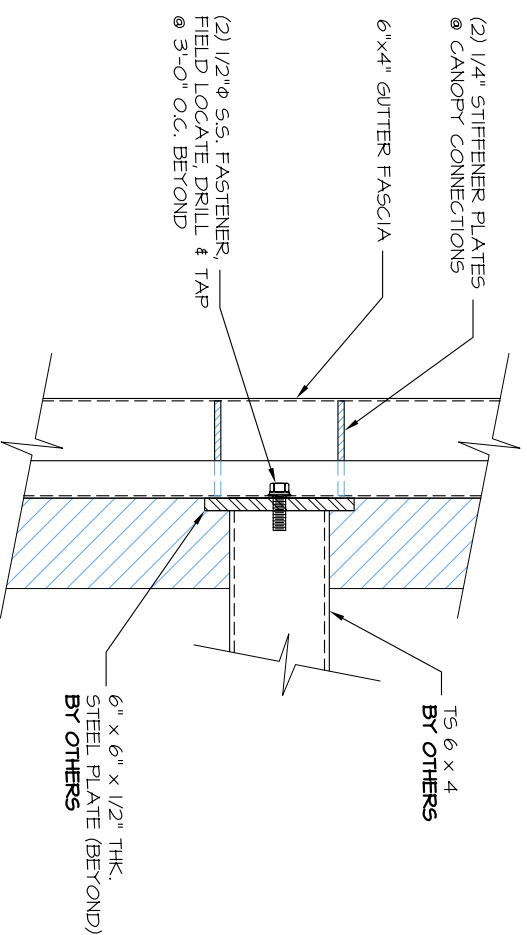
DATE: 12/3/10	DRAWN: JT6	JOB #
SCALE: AS SHOWN		4950
		SHT 3 OF 25



**A** SECTION  
 4 CANOPY A



**B** SECTION  
 4 CANOPY A



**C** SECTION  
 4 CANOPY A

**INSTALLER NOTE:**  
 ISOLATION MATERIAL REQUIRED BETWEEN STEEL & ALUMINUM MATERIALS. TYP. #15 LB. FELT ISOLATION MATERIAL REQUIRED BETWEEN DISSIMILAR MATERIALS



1477 ROSEDALE DRIVE HIRAM, GA 30141  
 PHONE (770) 439-2120 FAX (770) 439-2122

JOB NAME: FBC LIBRARY - UNIVERSITY BRANCH  
 LOCATION: SUGAR LAND, TX  
 ARCHITECT: RAY BAILEY ARCHITECTS, INC.  
 CONTRACTOR: E.E. REED CONSTRUCTION COMPANY, INC.

REVISIONS

DRAWN: JTG

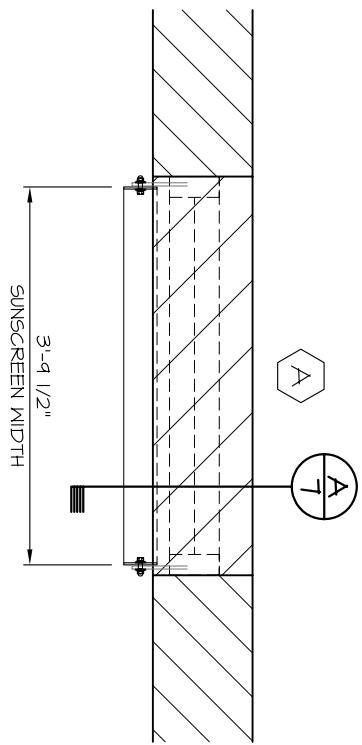
SCALE: AS SHOWN

DATE: 12/3/10

JOB #

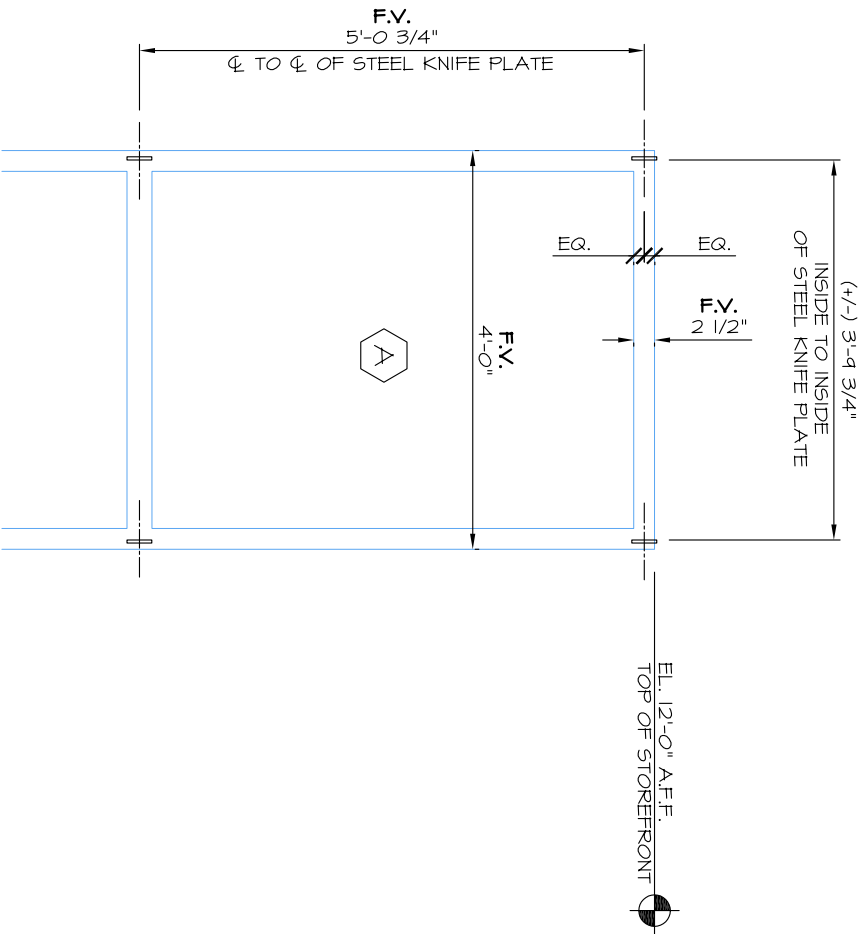
4950

SHT 4 OF 25

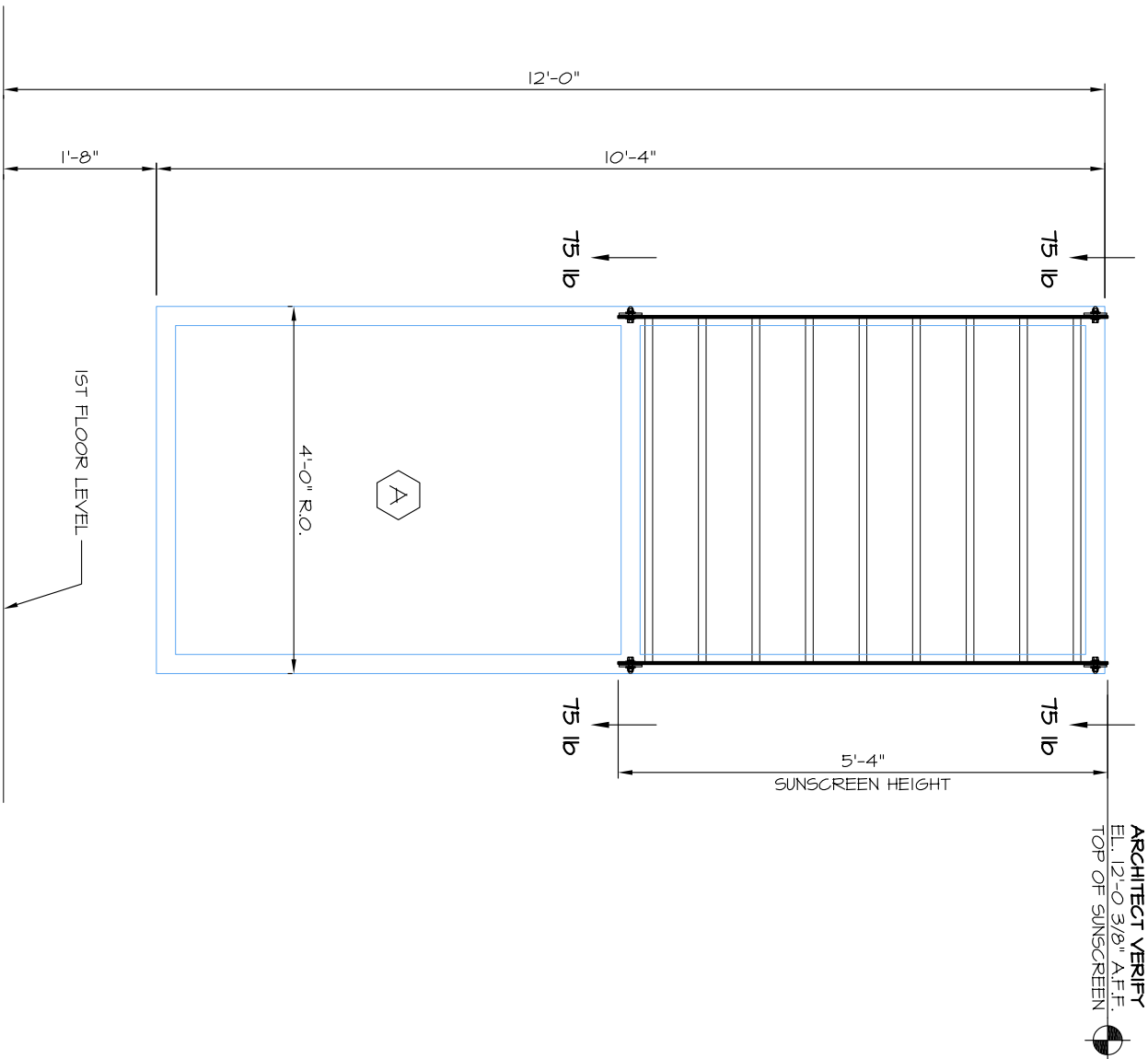


**SUNSCREEN PLAN VIEW**  
 SCALE: 3/8"=1'-0"  
 SUNSCREEN TYPE A

4 REQ'D.



**KNIFE PLATE ELEVATION**  
 SCALE: 3/8"=1'-0"  
 SUNSCREEN TYPE A

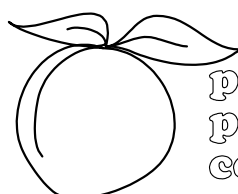


NOTE: G.C. TO COORDINATE CONNECTION TO KAWNEER FRAMES (TYP)

**A**  
**5** ELEVATION  
 SUNSCREEN TYPE A

JOB NAME: FBC LIBRARY - UNIVERSITY BRANCH  
 LOCATION: SUGAR LAND, TX

ARCHITECT: RAY BAILEY ARCHITECTS, INC.  
 CONTRACTOR: E.E. REED CONSTRUCTION COMPANY, INC.



peachtree  
 protective  
 covers

1477 ROSEDALE DRIVE HIRAM, GA 30141  
 PHONE (770) 439-2120 FAX (770) 439-2122

REVISIONS  
 2/12/11 JTG

DRAWN: JTG

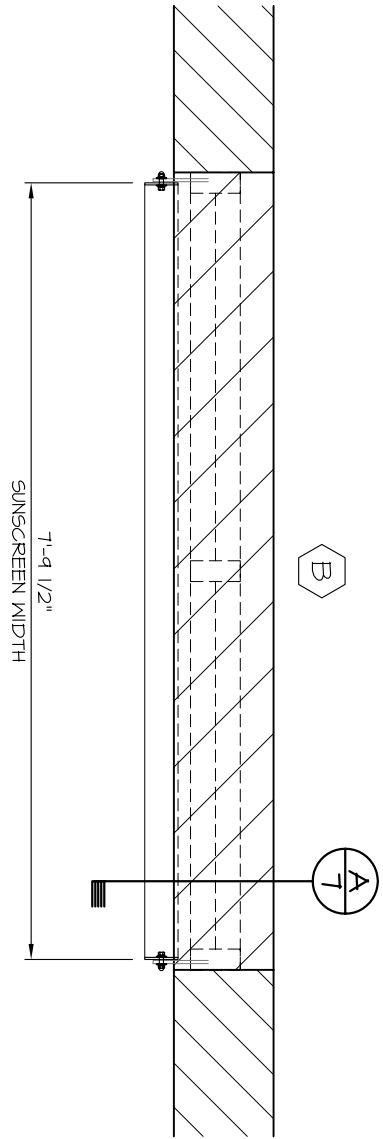
SCALE: AS SHOWN

DATE: 12/3/10

JOB #

4950

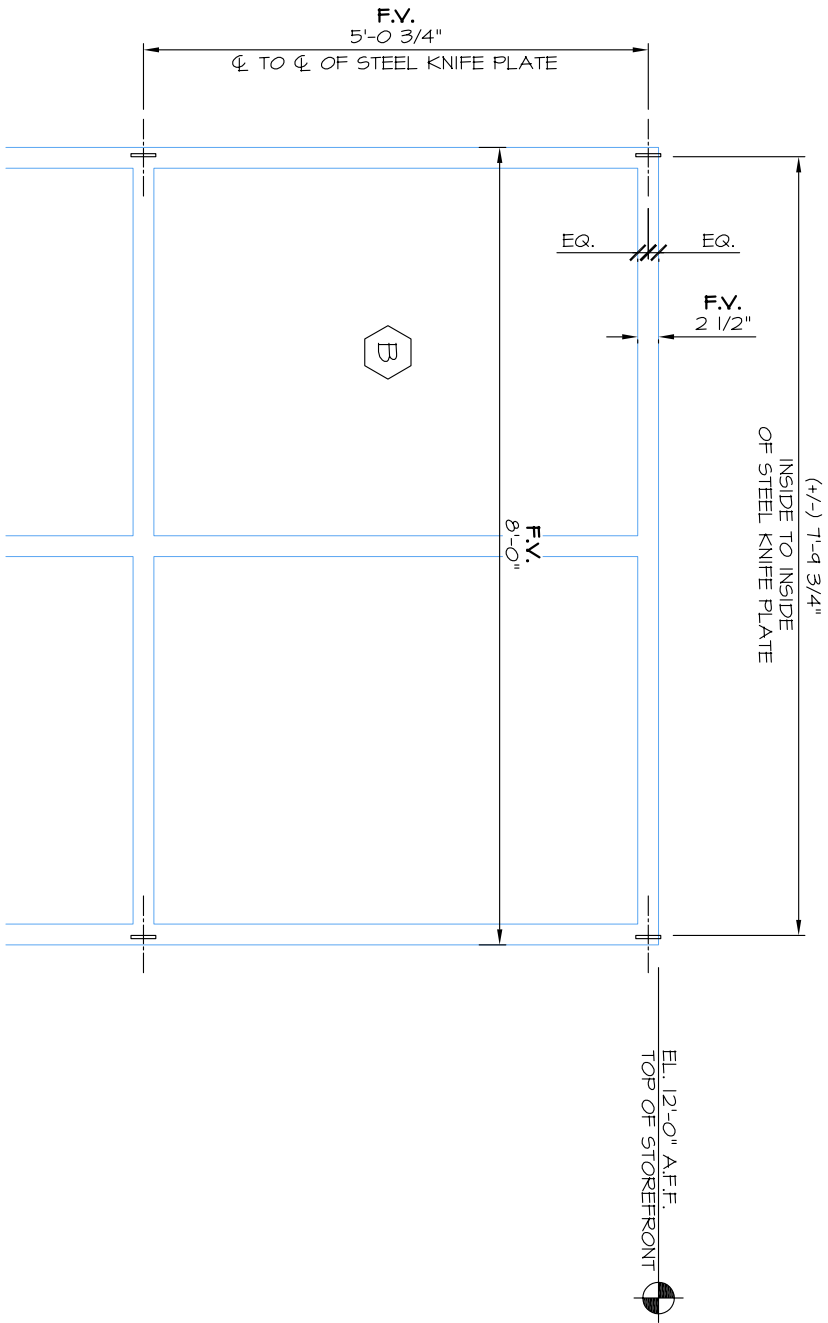
SHT 5 OF 25



12 REQ'D.

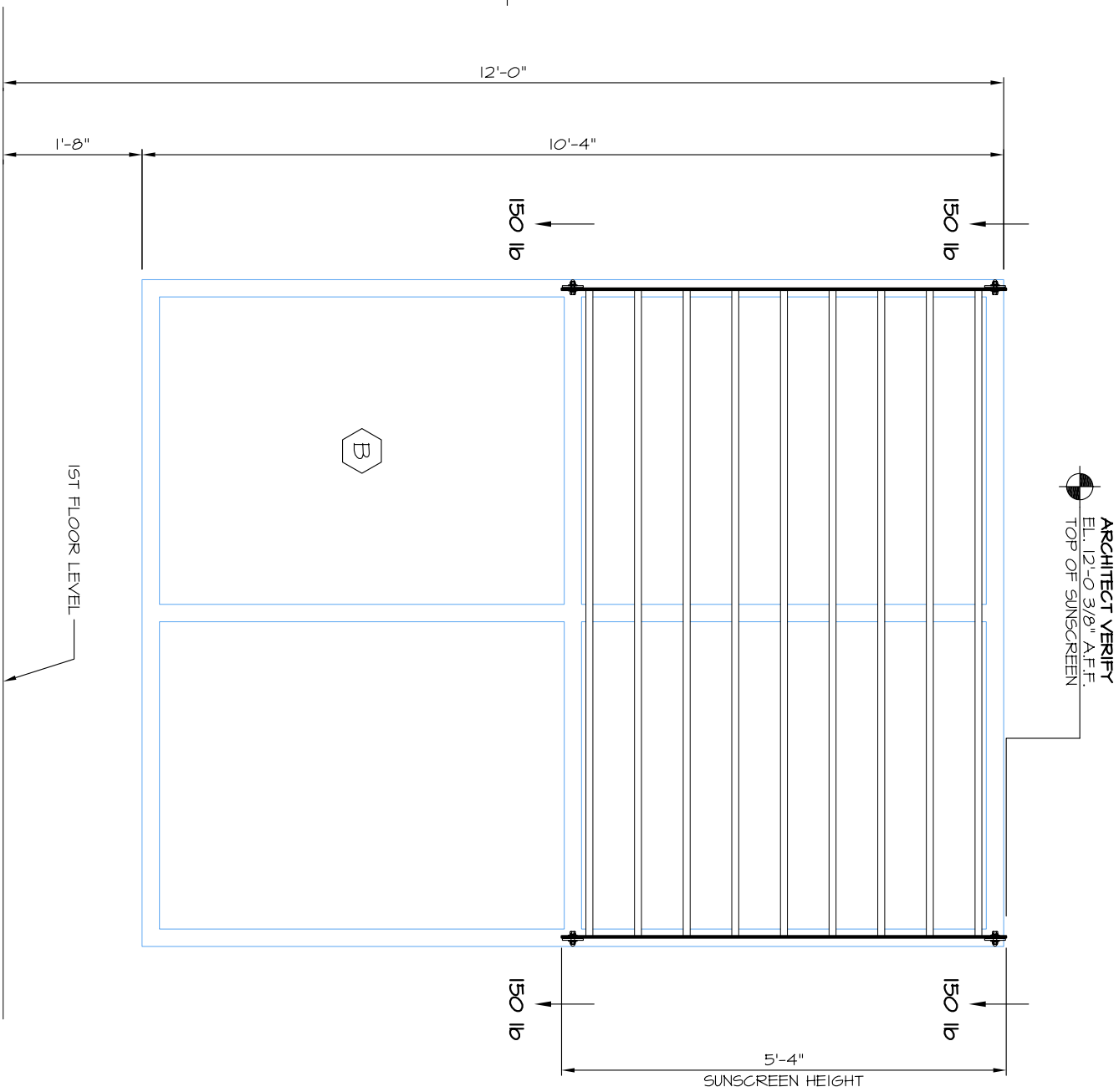
**SUNSCREEN PLAN VIEW**

SCALE: 3/8"=1'-0" SUNSCREEN TYPE B



**BOLT SETTING ELEVATION**

SCALE: 3/8"=1'-0" SUNSCREEN TYPE B



NOTE: G.C. TO COORDINATE CONNECTION TO KANNEER FRAMES (TTP)

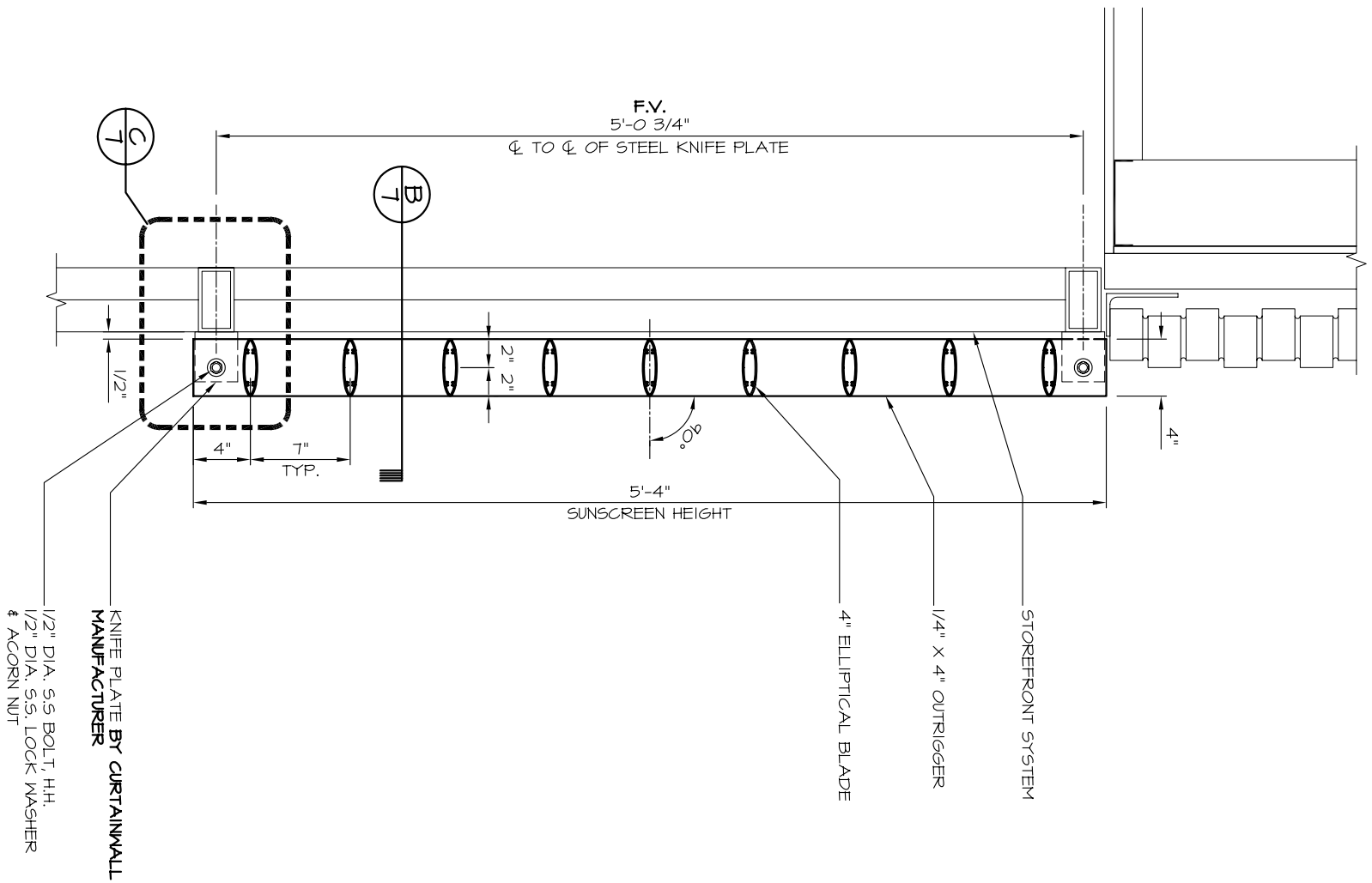
**A** ELEVATION  
6 SUNSCREEN TYPE B

JOB NAME: FBC LIBRARY - UNIVERSITY BRANCH	
LOCATION: SUGAR LAND, TX	
ARCHITECT: RAY BAILEY ARCHITECTS, INC.	
CONTRACTOR: E.E. REED CONSTRUCTION COMPANY, INC.	
REVISIONS	
2/12/11	JTG
DRAWN: JTG	
SCALE: AS SHOWN	
DATE: 12/3/10	
JOB #	
4950	
SHT 6 OF 25	

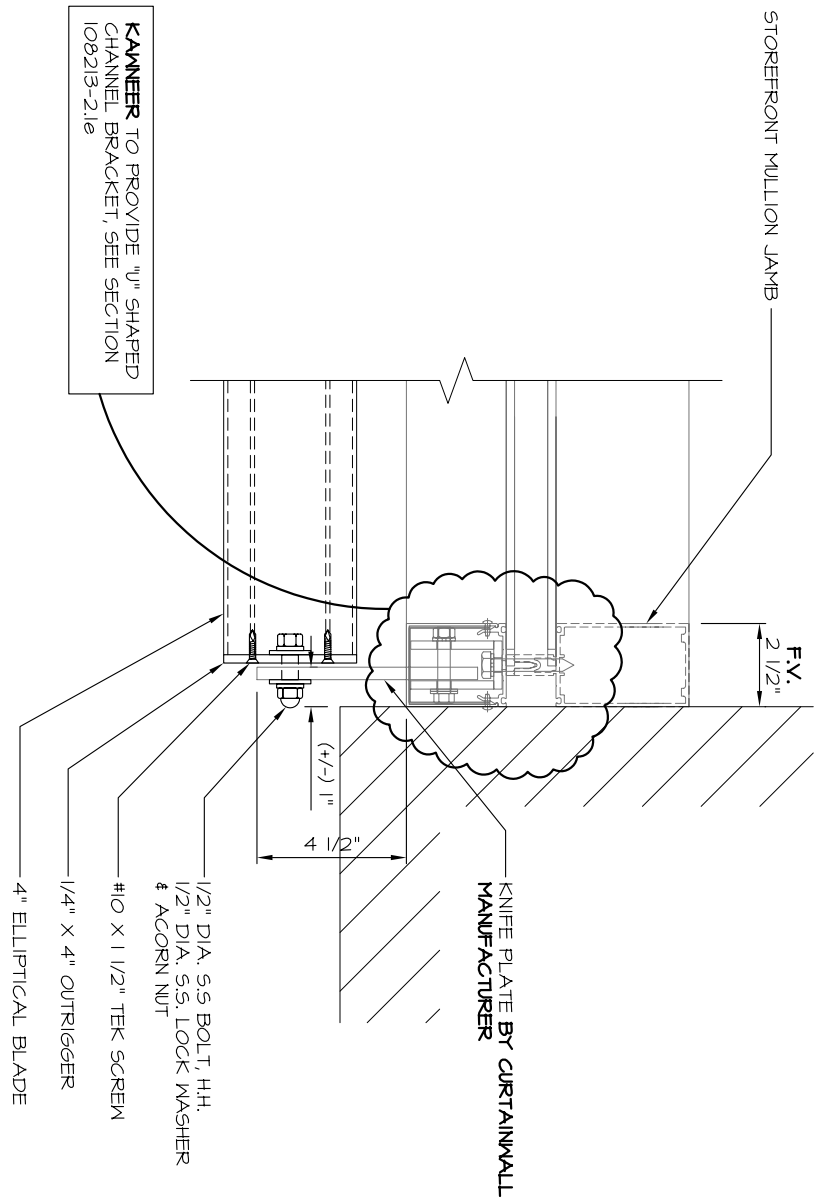
peachtree protective covers

1477 ROSEDALE DRIVE HIRAM, GA 30141  
 PHONE (770) 439-2120  
 FAX (770) 439-2122

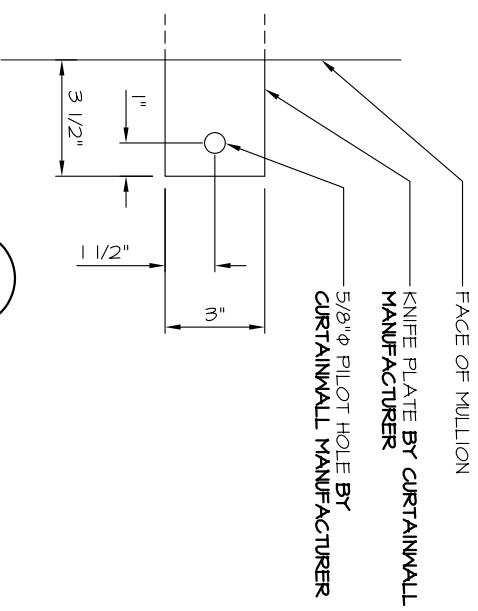
**A SECTION**  
 SUNSCREENS TYPE A & B



**B SECTION**  
 SUNSCREENS TYPE A & B

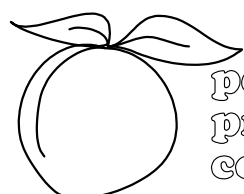


**C DETAIL**  
 KNIFE PLATE



JOB NAME: FBC LIBRARY - UNIVERSITY BRANCH  
 LOCATION: SUGAR LAND, TX

ARCHITECT: RAY BAILEY ARCHITECTS, INC.  
 CONTRACTOR: E.E. REED CONSTRUCTION COMPANY, INC.



peachtree  
 protective  
 covers

1477 ROSEDALE DRIVE PHONE (770) 439-2120  
 HIRAM, GA 30141 FAX (770) 439-2122

REVISIONS

2/12/11 JTG

DRAWN: JTG

SCALE: AS SHOWN

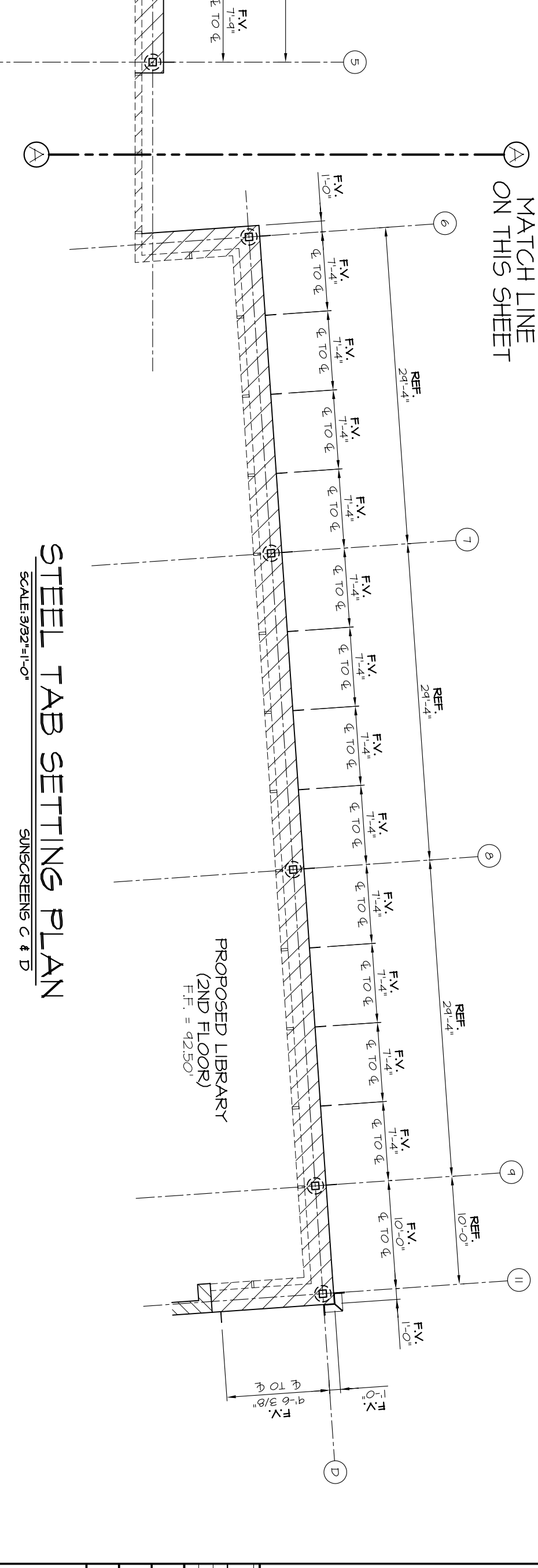
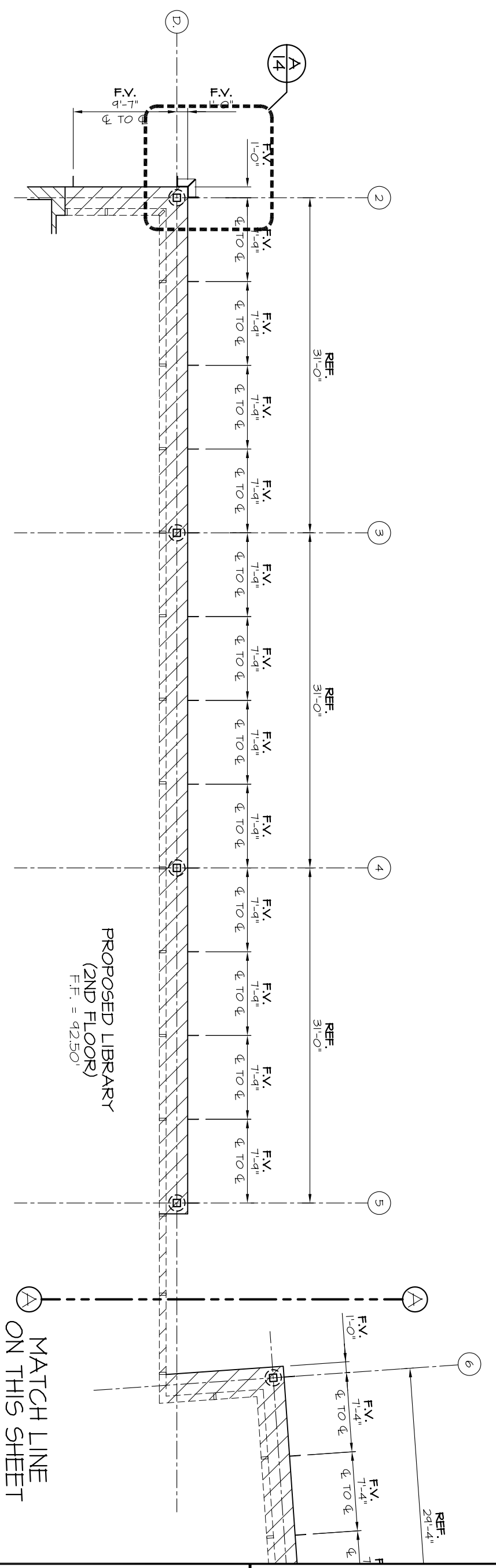
DATE: 12/3/10

JOB #

4950

SHT 7 OF 25





MATCH LINE  
ON THIS SHEET

MATCH LINE  
ON THIS SHEET

# STEEL TAB SETTING PLAN

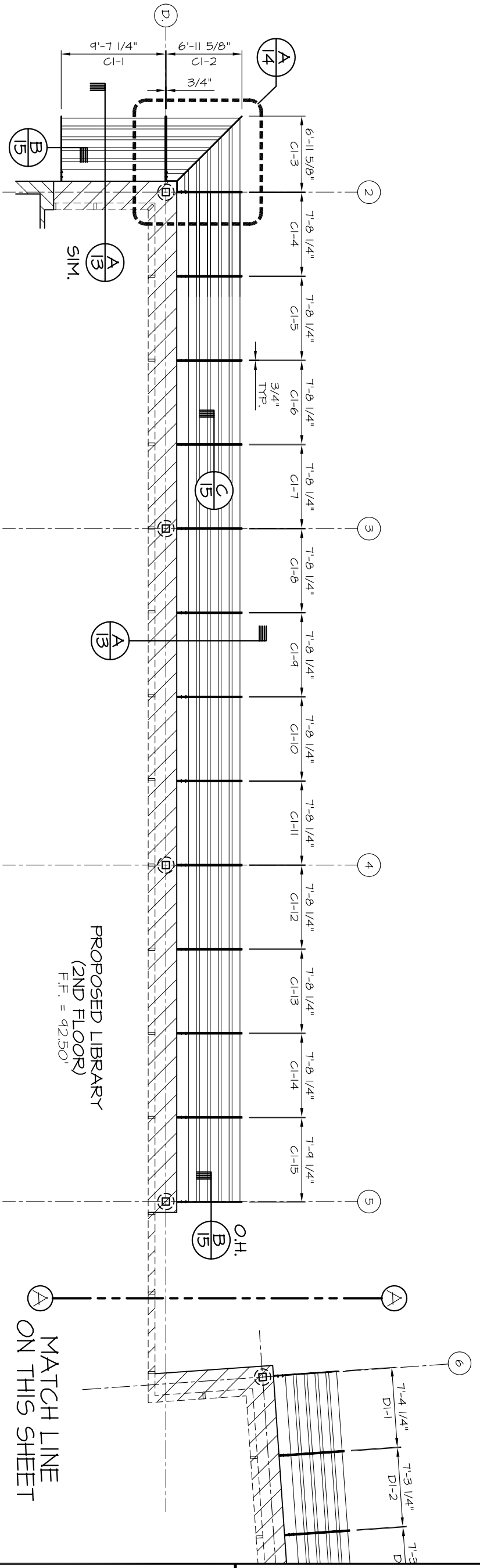
SCALE: 3/32"=1'-0"

SUNSCREENS C & D

REVISIONS	JOB NAME: FBC LIBRARY - UNIVERSITY BRANCH
	LOCATION: SUGAR LAND, TX
DRAWN: JTG	ARCHITECT: RAY BAILEY ARCHITECTS, INC.
	CONTRACTOR: E.E. REED CONSTRUCTION COMPANY, INC.
SCALE: AS SHOWN	
DATE: 12/3/10	
JOB #	4950
SHT	8 OF 25

peachtree protective covers

1477 ROSEDALE DRIVE HIRAM, GA 30141 PHONE (770) 439-2120 FAX (770) 439-2122



MATCH LINE  
ON THIS SHEET

PROPOSED LIBRARY  
(2ND FLOOR)  
F.F. = 9250'

MATCH LINE  
ON THIS SHEET

PROPOSED LIBRARY  
(2ND FLOOR)  
F.F. = 9250'

# SUNSCREEN PLAN VIEW

SCALE: 3/32"=1'-0"  
SUNSCREENS C & D



peachtree  
protective  
covers

1477 ROSEDALE DRIVE HIRAM, GA 30141  
 PHONE (770) 439-2120  
 FAX (770) 439-2122

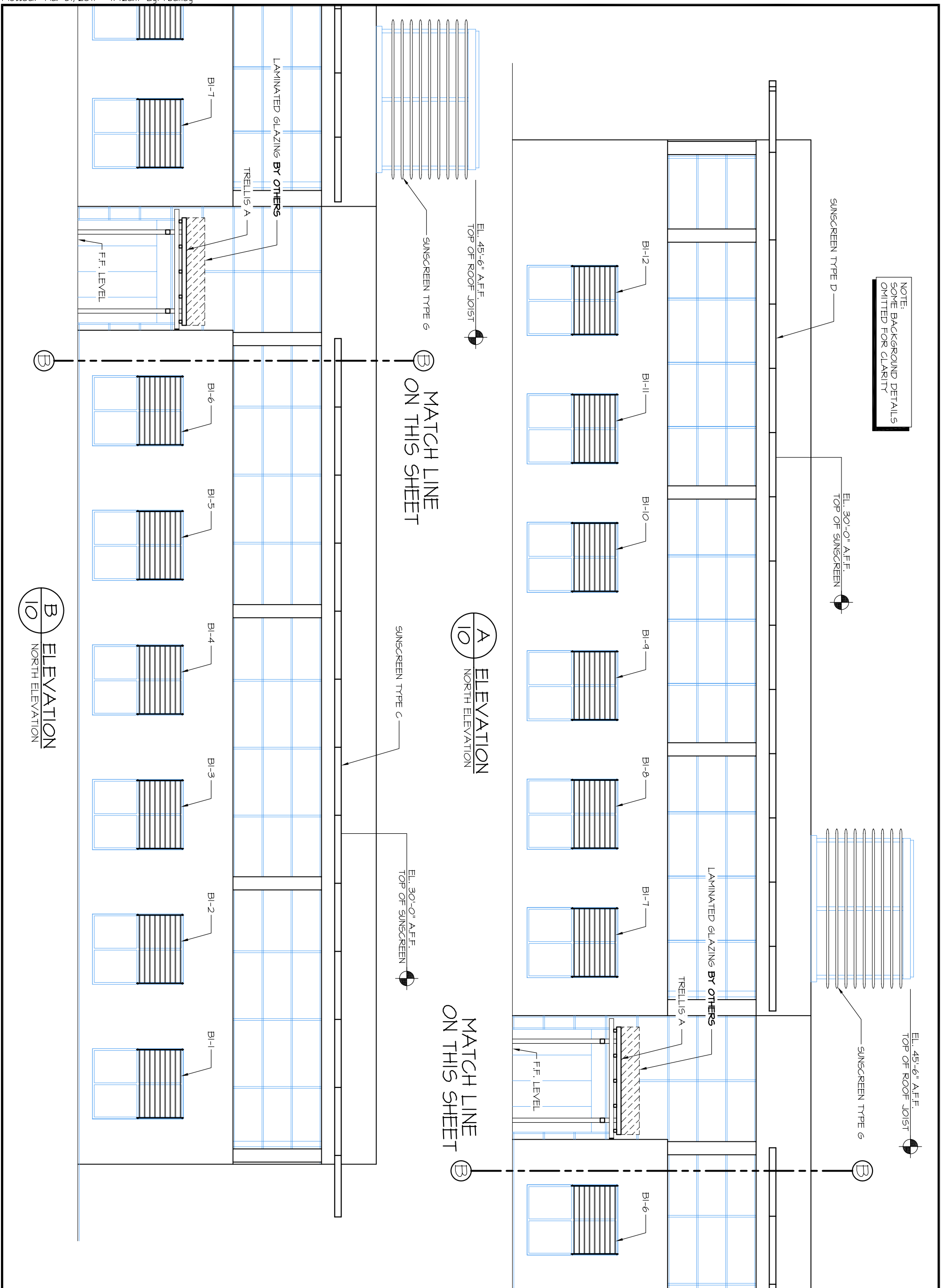
JOB NAME: FBC LIBRARY - UNIVERSITY BRANCH  
 LOCATION: SUGAR LAND, TX  
 ARCHITECT: RAY BAILEY ARCHITECTS, INC.  
 CONTRACTOR: E.E. REED CONSTRUCTION COMPANY, INC.

REVISIONS

DRAWN: JTG  
 SCALE: AS SHOWN  
 DATE: 12/3/10

JOB #  
**4950**  
 SHT 9 OF 25

NOTE:  
 SOME BACKGROUND DETAILS  
 OMITTED FOR CLARITY



**B** ELEVATION  
 10 NORTH ELEVATION

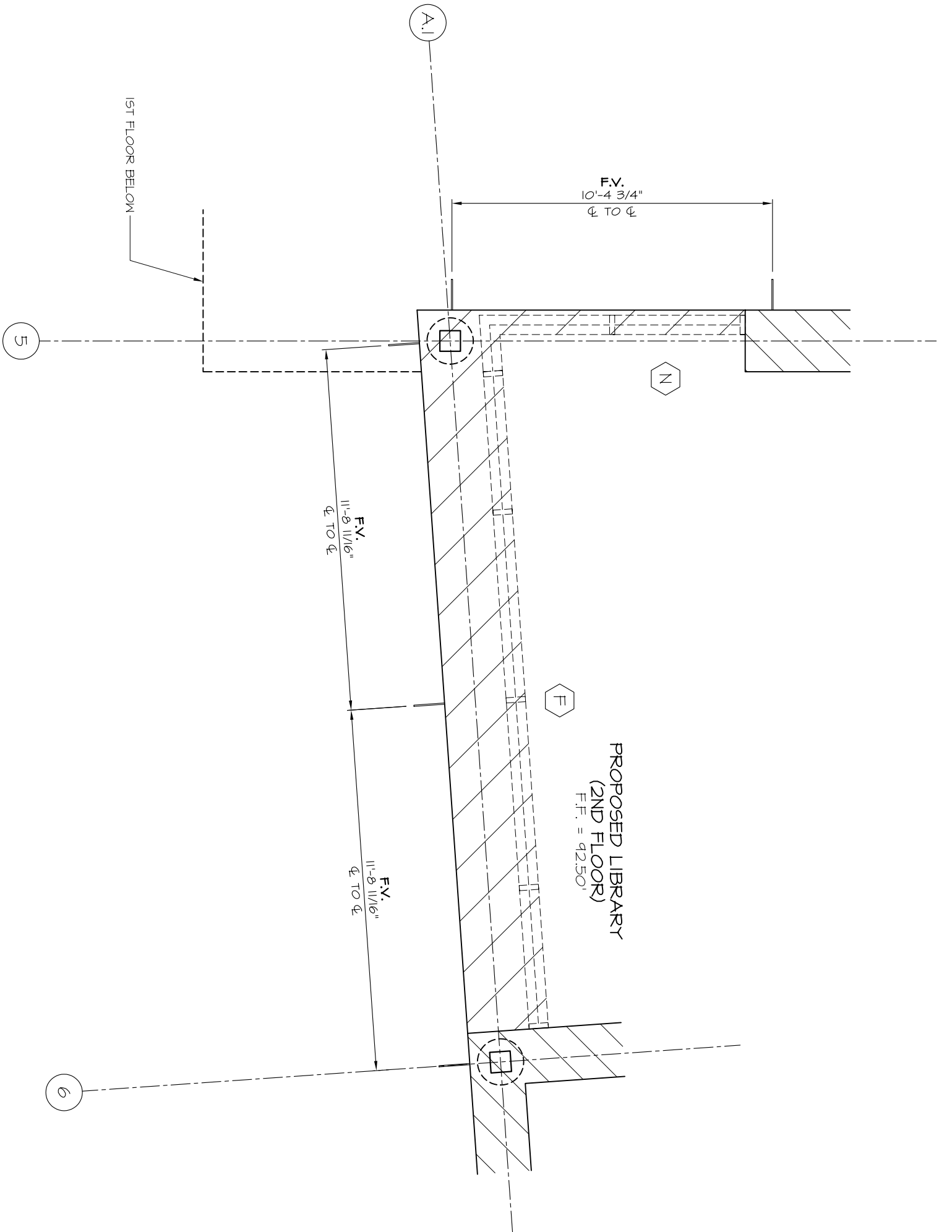
**A** ELEVATION  
 10 NORTH ELEVATION

REVISIONS	
DRAWN: JTG	
SCALE: AS SHOWN	
DATE: 12/3/10	
JOB #	4950
SHT	10 OF 25

JOB NAME: FBC LIBRARY - UNIVERSITY BRANCH  
 LOCATION: SUGAR LAND, TX  
 ARCHITECT: RAY BAILEY ARCHITECTS, INC.  
 CONTRACTOR: E.E. REED CONSTRUCTION COMPANY, INC.

peachtree  
 protective  
 covers

1477 ROSEDALE DRIVE HIRAM, GA 30141  
 PHONE (770) 439-2120  
 FAX (770) 439-2122



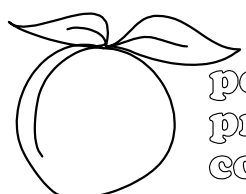
# STEEL TAB SETTING PLAN

SCALE: 1/4"=1'-0"

SUNSCREENS E & F

JOB NAME: FBC LIBRARY - UNIVERSITY BRANCH  
 LOCATION: SUGAR LAND, TX

ARCHITECT: RAY BAILEY ARCHITECTS, INC.  
 CONTRACTOR: E.E. REED CONSTRUCTION COMPANY, INC.



peachtree  
 protective  
 covers

1477 ROSEDALE DRIVE PHONE (770) 439-2120  
 HIRAM, GA 30141 FAX (770) 439-2122

## REVISIONS

DRAWN: JTG

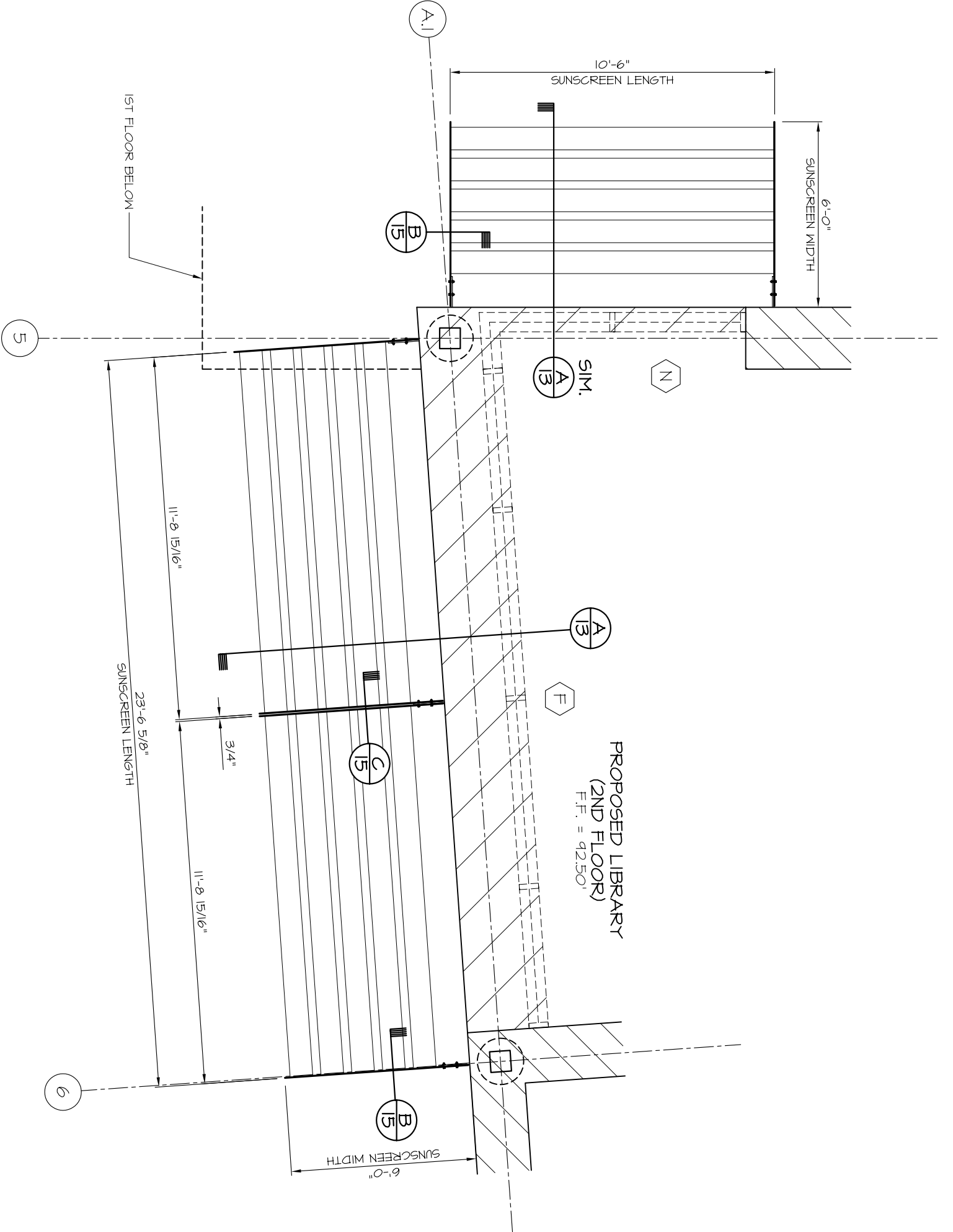
SCALE: AS SHOWN

DATE: 12/3/10

JOB #

4950

SHT 11 OF 25

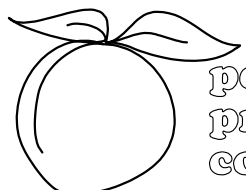


**SUNSCREEN PLAN VIEW**

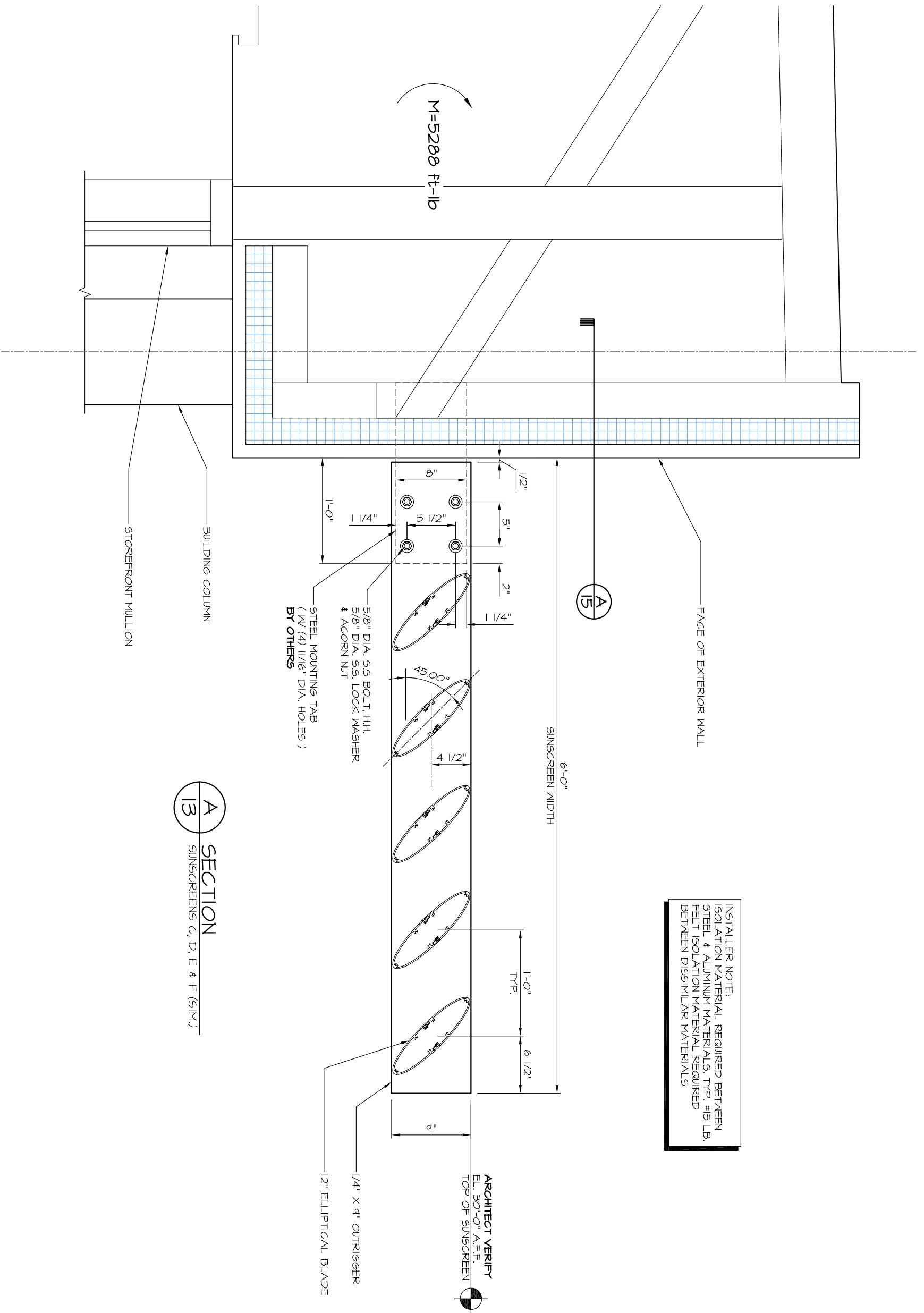
SCALE: 3/32"=1'-0"

SUNSCREENS E & F

REVISIONS	JOB NAME: FBC LIBRARY - UNIVERSITY BRANCH
	LOCATION: SUGAR LAND, TX
REVISIONS	ARCHITECT: RAY BAILEY ARCHITECTS, INC.
	CONTRACTOR: E.E. REED CONSTRUCTION COMPANY, INC.
DRAWN: JTG	
SCALE: AS SHOWN	
DATE: 12/3/10	
JOB #	
4950	
SHT 12 OF 25	



peachtree  
protective  
covers



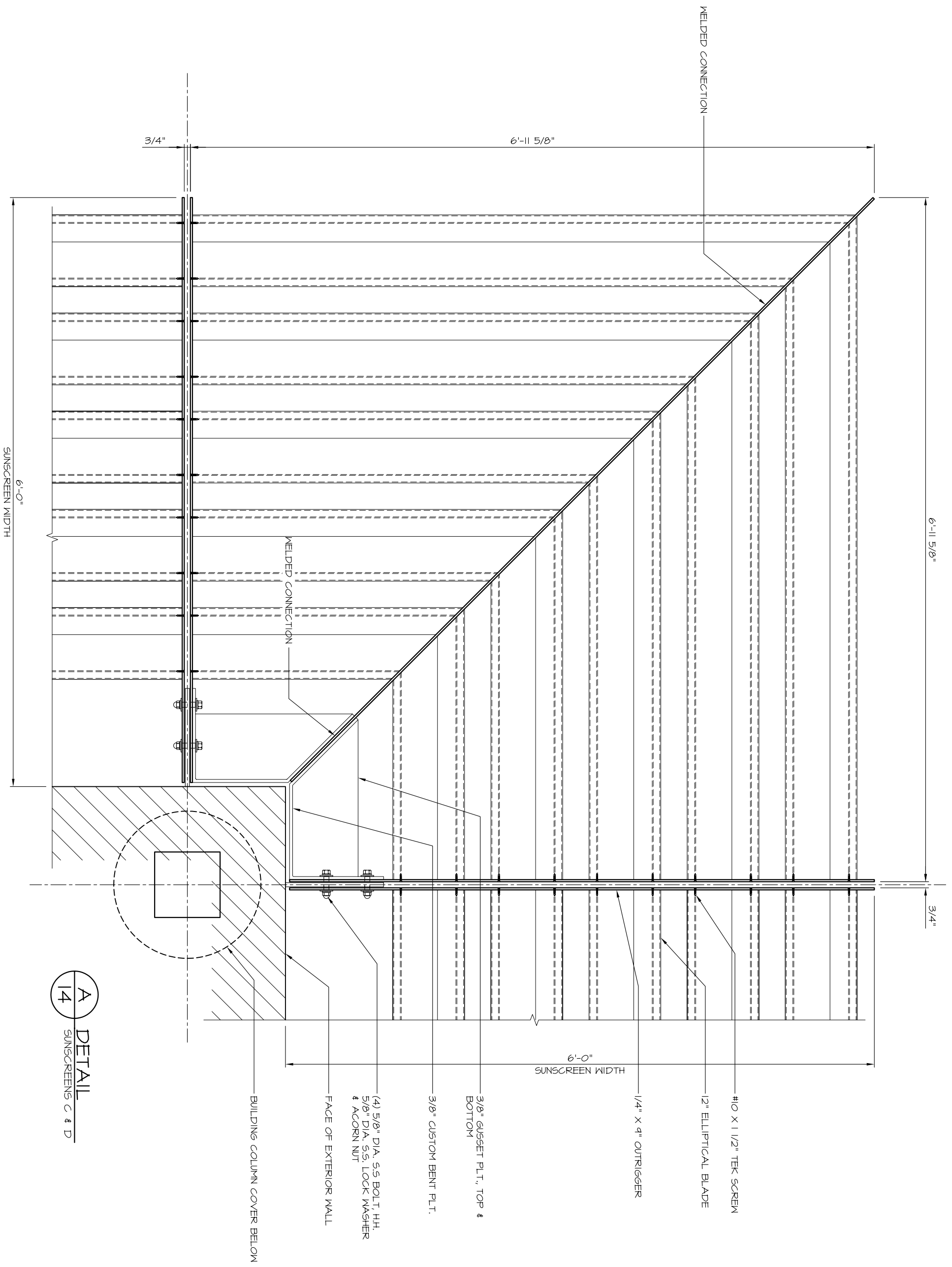
INSTALLER NOTE:  
 ISOLATION MATERIAL REQUIRED BETWEEN  
 STEEL & ALUMINUM MATERIALS, TYP. #15 LB.  
 FELT ISOLATION MATERIAL REQUIRED  
 BETWEEN DISSIMILAR MATERIALS

**A** SECTION  
 13 SUNSCREENS C, D, E & F (SIM.)

JOB NAME: FBC LIBRARY - UNIVERSITY BRANCH	
LOCATION: SUGAR LAND, TX	
ARCHITECT: RAY BAILEY ARCHITECTS, INC.	
CONTRACTOR: E.E. REED CONSTRUCTION COMPANY, INC.	
<b>REVISIONS</b>	
2/12/11	JTG
3/8/11	JTG
DRAWN: JTG	
SCALE: AS SHOWN	
DATE: 12/3/10	
JOB #	
<b>4950</b>	
SHT 13 OF 25	

peachtree  
protective  
covers

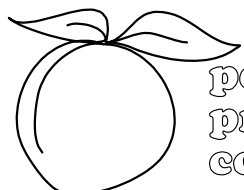
1477 ROSEDALE DRIVE HIRAM, GA 30141 PHONE (770) 439-2120 FAX (770) 439-2122



A  
14  
DETAIL  
SUNSCREENS C & D

JOB NAME: FBC LIBRARY - UNIVERSITY BRANCH  
 LOCATION: SUGAR LAND, TX

ARCHITECT: RAY BAILEY ARCHITECTS, INC.  
 CONTRACTOR: E.E. REED CONSTRUCTION COMPANY, INC.



peachtree  
protective  
covers

1477 ROSEDALE DRIVE HIRAM, GA 30141  
 PHONE (770) 439-2120  
 FAX (770) 439-2122

REVISIONS

3/8/11 JTG

DRAWN: JTG

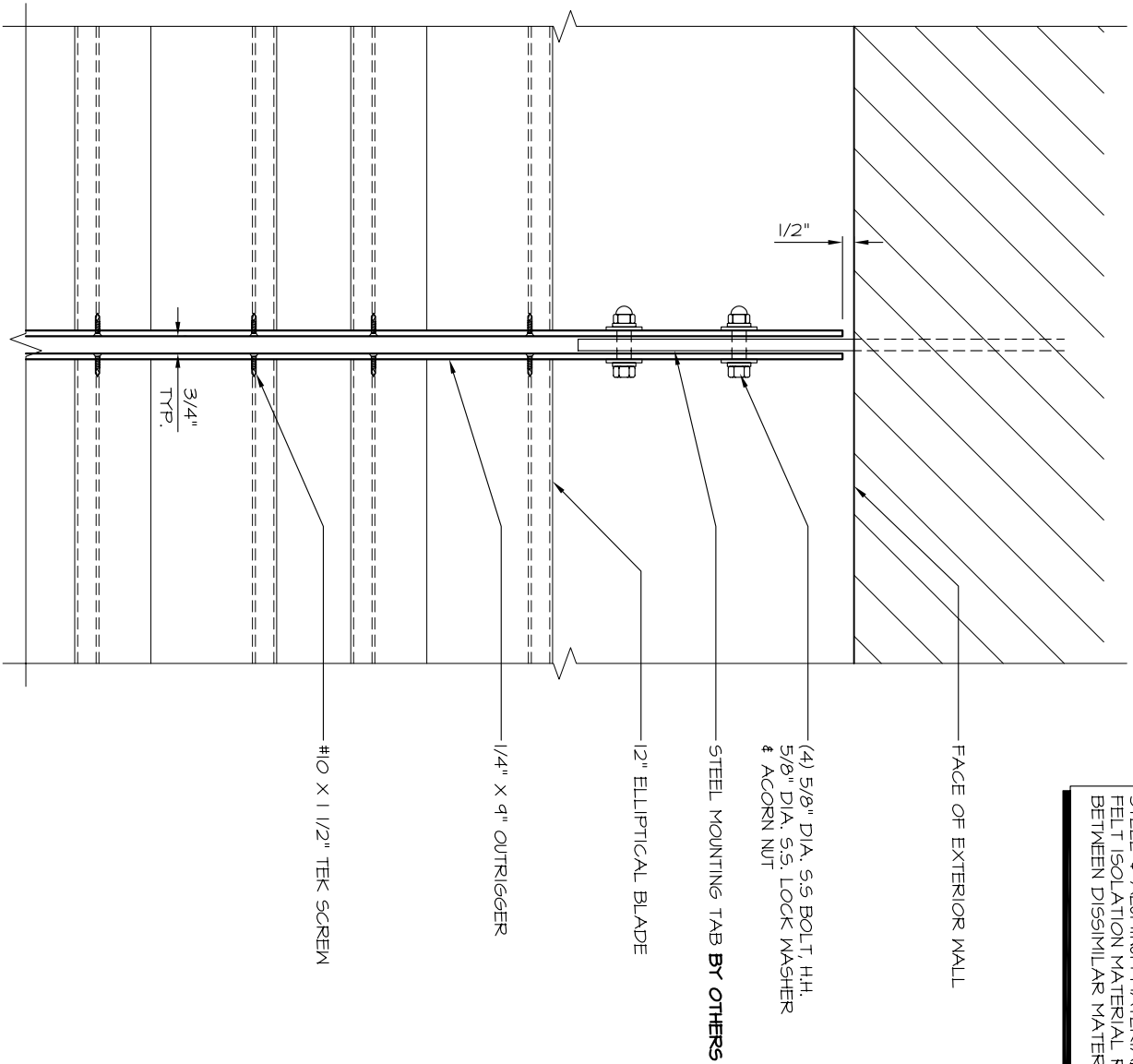
SCALE: AS SHOWN

DATE: 12/3/10

JOB #

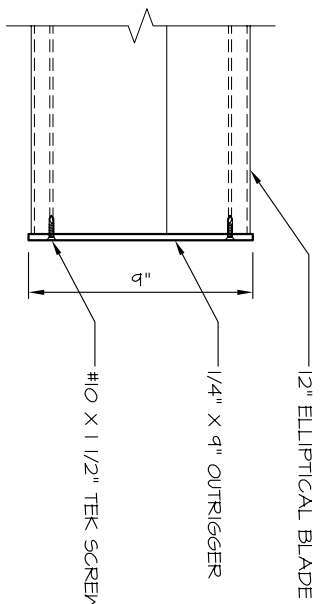
4950

SHT 14 OF 25

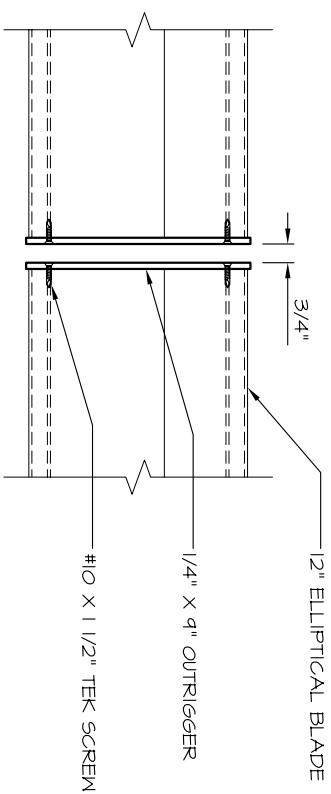


**A** SECTION  
 15 SUNSCREENS C, D & E

**INSTALLER NOTE:**  
 ISOLATION MATERIAL REQUIRED BETWEEN STEEL & ALUMINUM MATERIALS, TYP. #15 LB. FELT ISOLATION MATERIAL REQUIRED BETWEEN DISSIMILAR MATERIALS



**B** SECTION  
 15 SUNSCREENS C, D, E & F



**C** SECTION  
 15 SUNSCREENS C, D & E

JOB NAME: FBC LIBRARY - UNIVERSITY BRANCH  
 LOCATION: SUGAR LAND, TX  
 ARCHITECT: RAY BAILEY ARCHITECTS, INC.  
 CONTRACTOR: E.E. REED CONSTRUCTION COMPANY, INC.

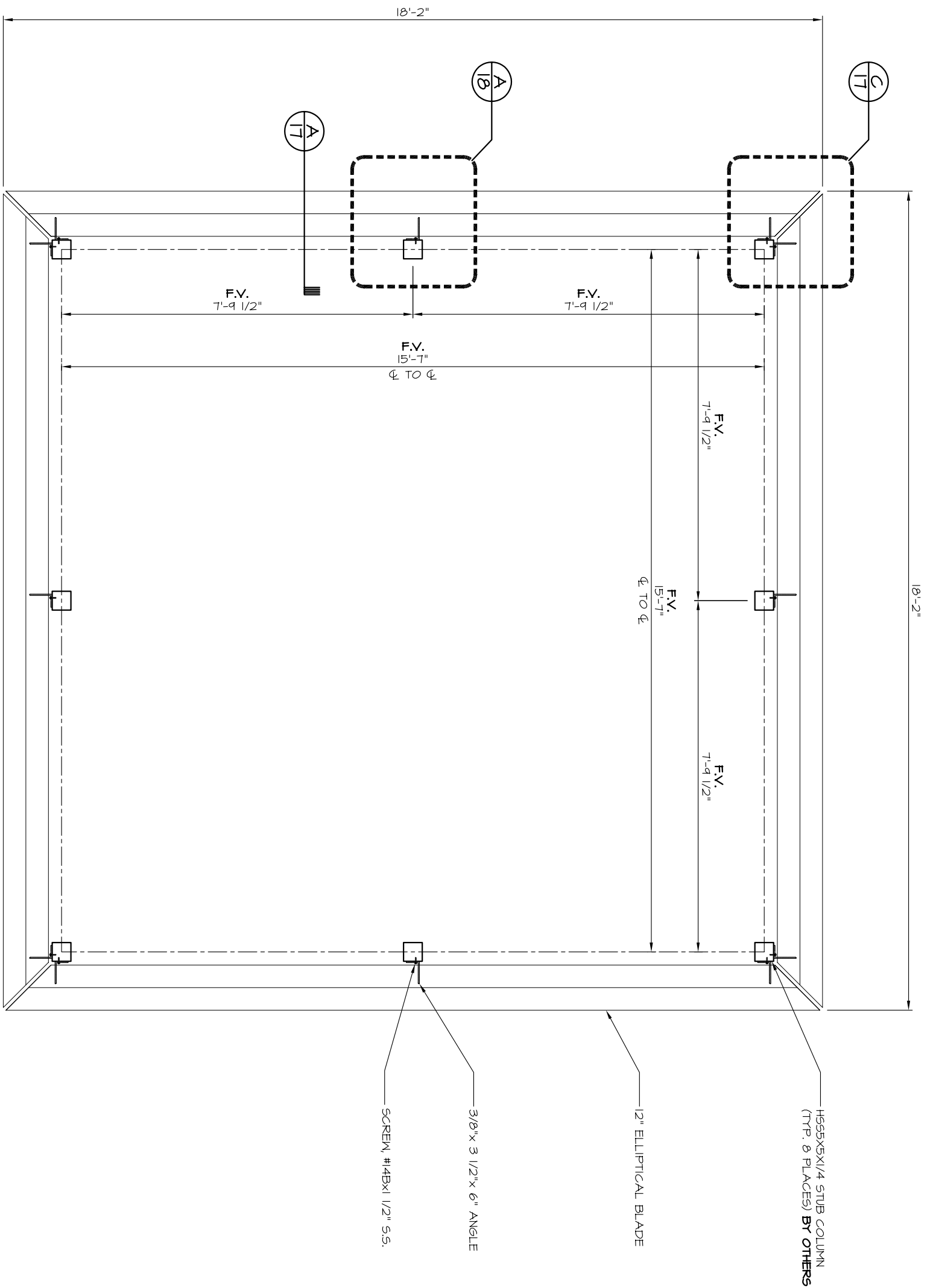
peachtree protective covers  
 1477 ROSEDALE DRIVE HIRAM, GA 30141 PHONE (770) 439-2120 FAX (770) 439-2122

REVISIONS
3/8/11 JTG

DRAWN: JTG  
 SCALE: AS SHOWN  
 DATE: 12/3/10

JOB #  
**4950**  
 SH# 15 OF 25

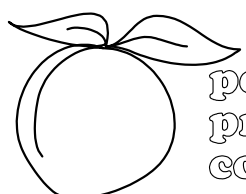




**ROOF SUNSCREEN PLAN**  
 SCALE: 3/8" = 1'-0"  
 SUNSCREEN 6

JOB NAME: FBC LIBRARY - UNIVERSITY BRANCH  
 LOCATION: SUGAR LAND, TX

ARCHITECT: RAY BAILEY ARCHITECTS, INC.  
 CONTRACTOR: E.E. REED CONSTRUCTION COMPANY, INC.



peachtree  
 protective  
 covers

1477 ROSEDALE DRIVE HIRAM, GA 30141  
 PHONE (770) 439-2120  
 FAX (770) 439-2122

**REVISIONS**

3/8/11 JTG

DRAWN: JTG

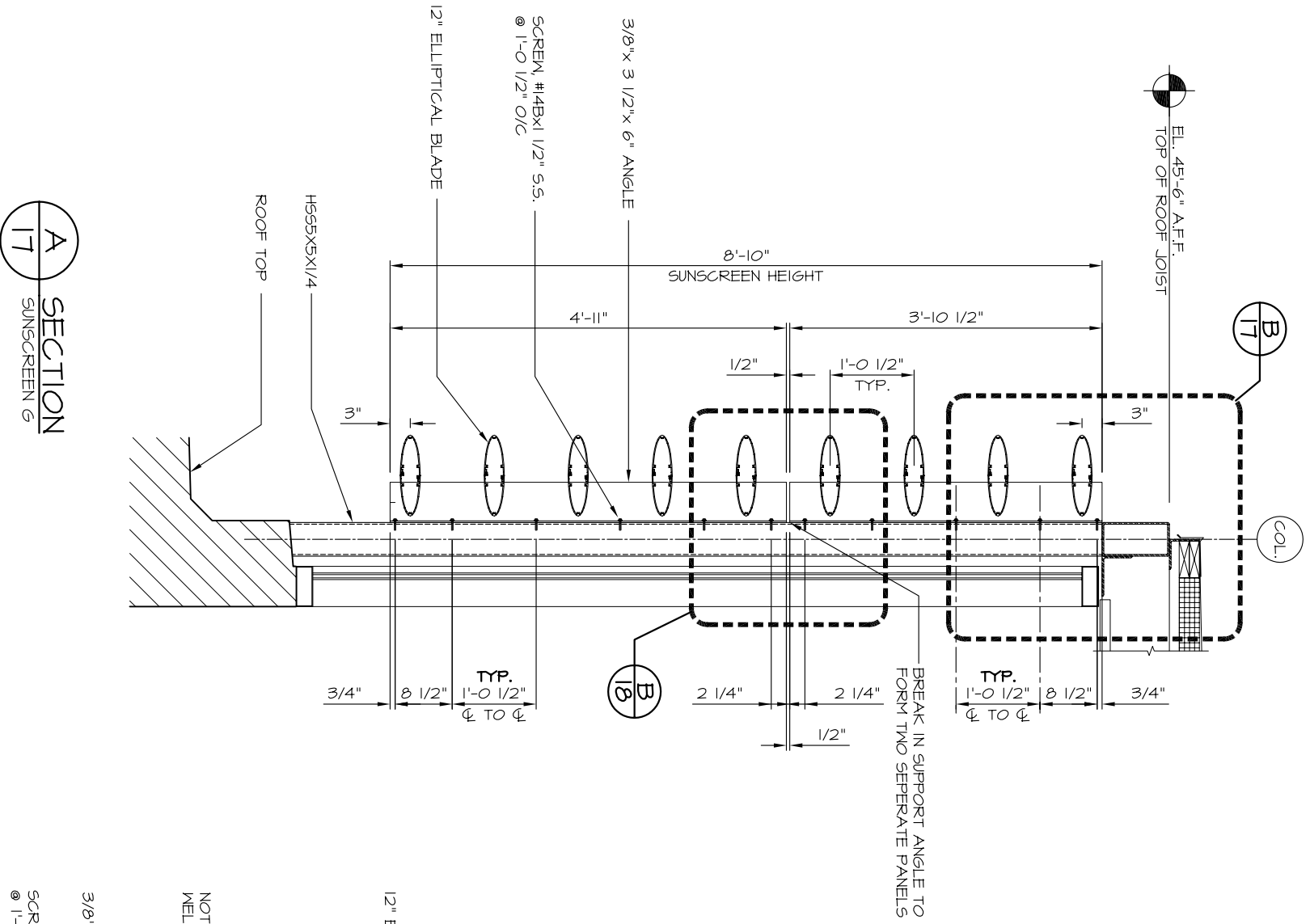
SCALE: AS SHOWN

DATE: 12/3/10

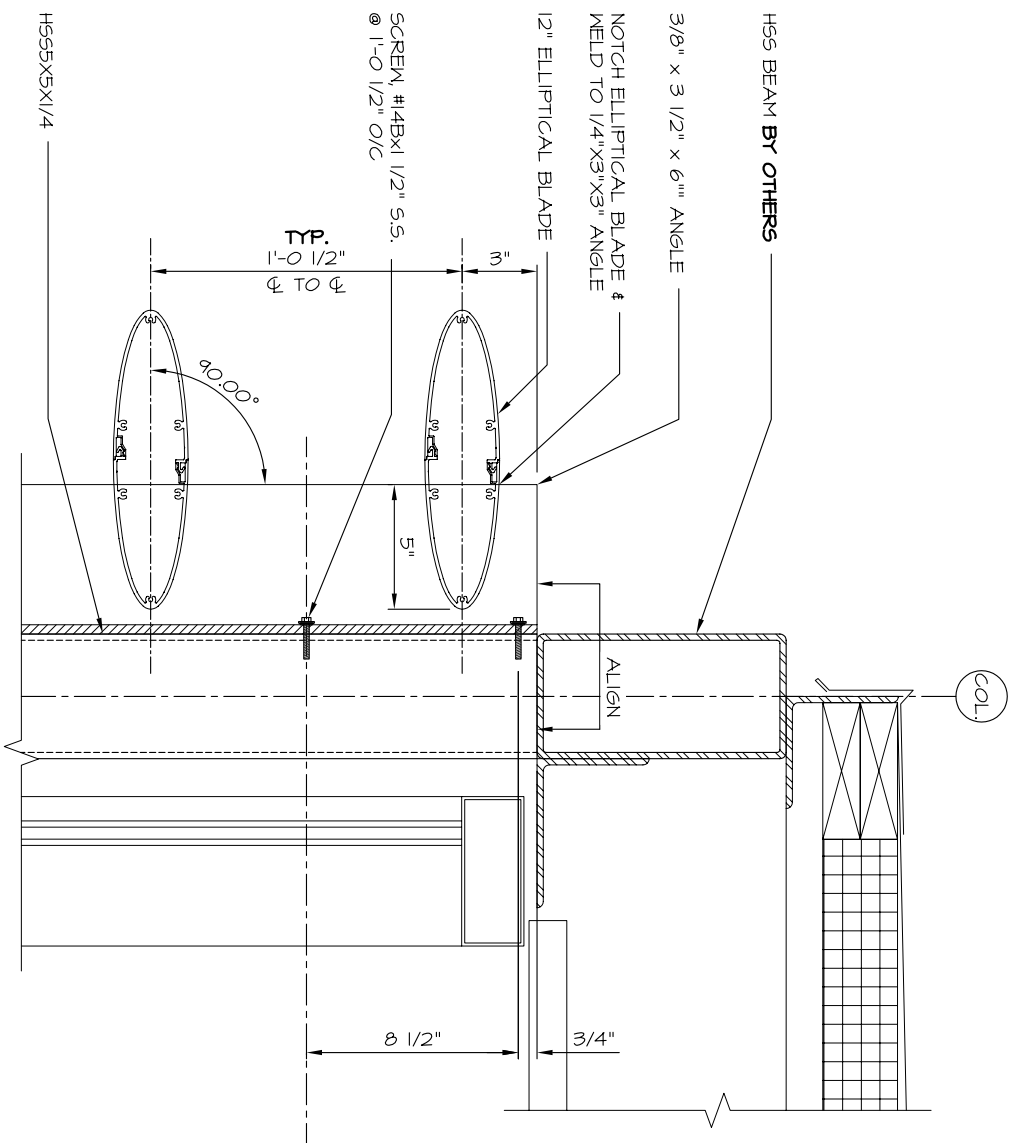
JOB #

**4950**

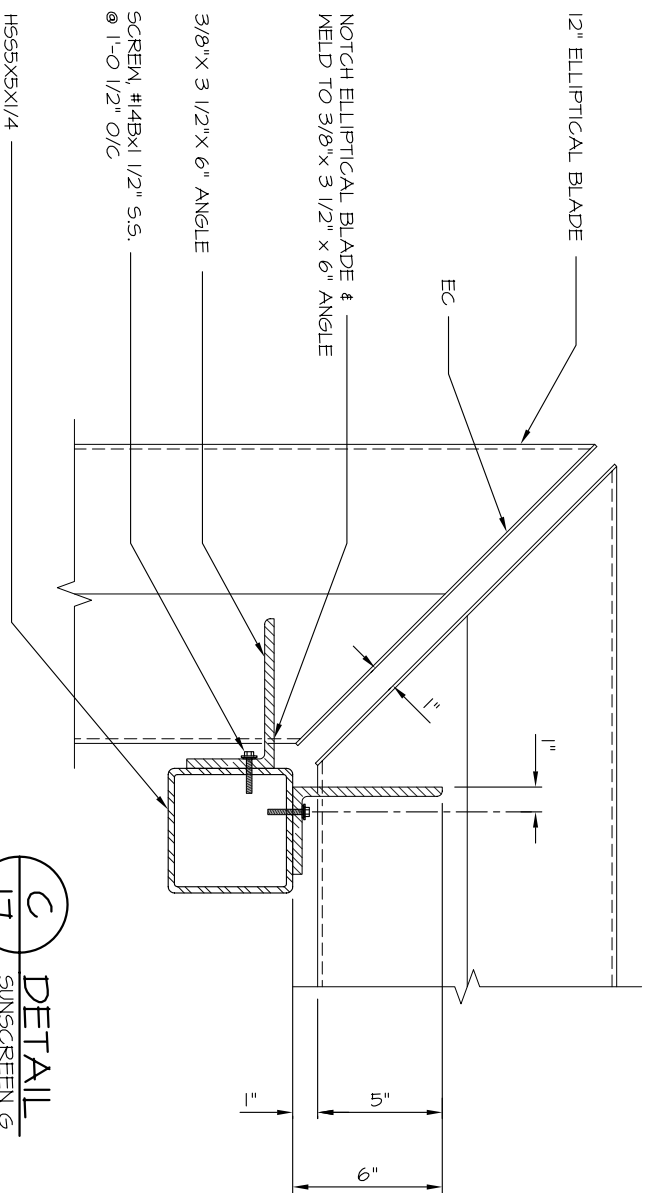
SHT 16 OF 25



**A** SECTION  
17 SUNSCREEN G



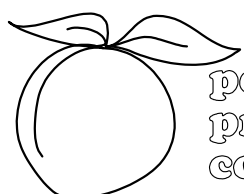
**B** DETAIL  
17 SUNSCREEN G



**C** DETAIL  
17 SUNSCREEN G

JOB NAME: FBC LIBRARY - UNIVERSITY BRANCH  
 LOCATION: SUGAR LAND, TX

ARCHITECT: RAY BAILEY ARCHITECTS, INC.  
 CONTRACTOR: E.E. REED CONSTRUCTION COMPANY, INC.



peachtree  
protective  
covers

1477 ROSEDALE DRIVE HIRAM, GA 30141  
 PHONE (770) 439-2120  
 FAX (770) 439-2122

REVISIONS

2/12/11 JTG  
 3/8/11 JTG

DRAWN: JTG

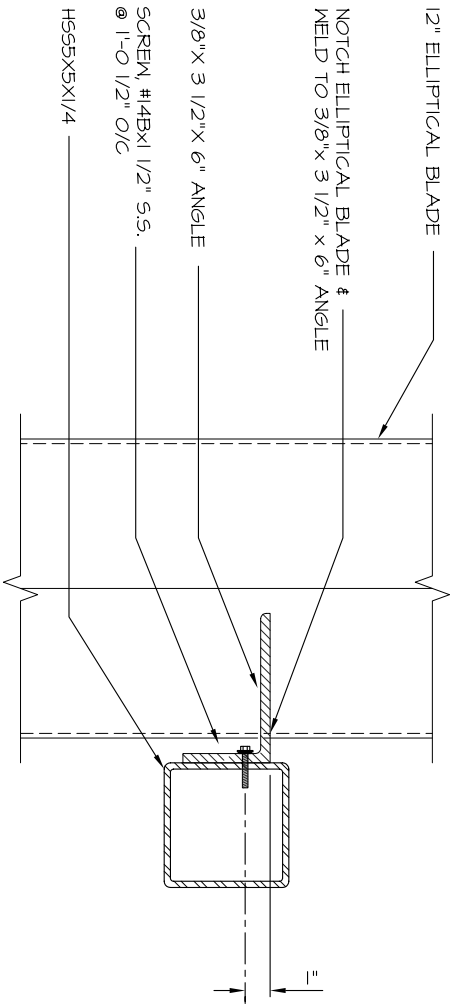
SCALE: AS SHOWN

DATE: 12/3/10

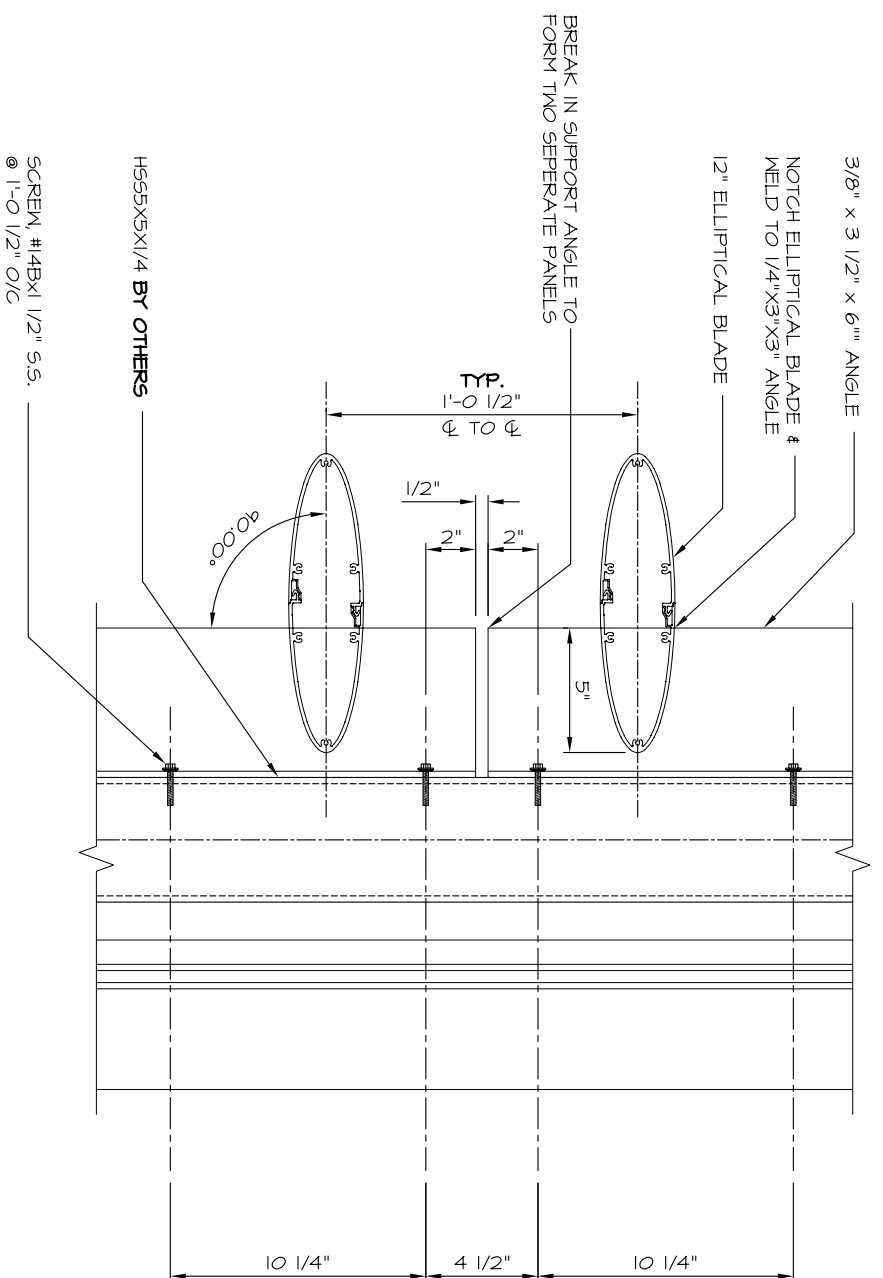
JOB #

4950

SHT 17 OF 25



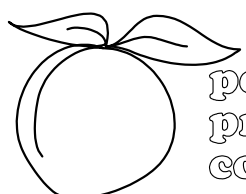
**A** DETAIL  
 18 SUNSCREEN G



**B** DETAIL  
 18 SUNSCREEN G

JOB NAME: FBC LIBRARY - UNIVERSITY BRANCH  
 LOCATION: SUGAR LAND, TX

ARCHITECT: RAY BAILEY ARCHITECTS, INC.  
 CONTRACTOR: E.E. REED CONSTRUCTION COMPANY, INC.



peachtree  
 protective  
 covers

1477 ROSEDALE DRIVE HIRAM, GA 30141  
 PHONE (770) 439-2120  
 FAX (770) 439-2122

REVISIONS

3/8/11 JTG

DRAWN: JTG

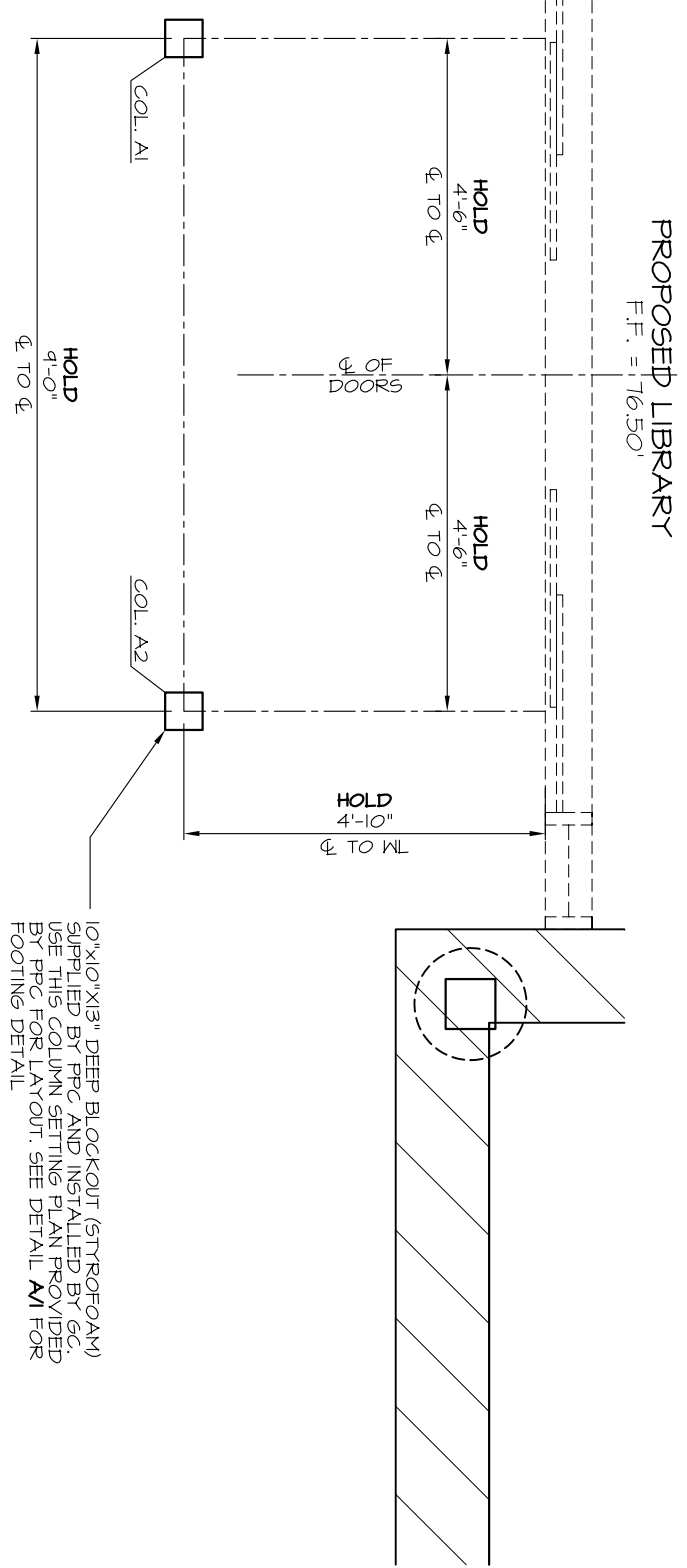
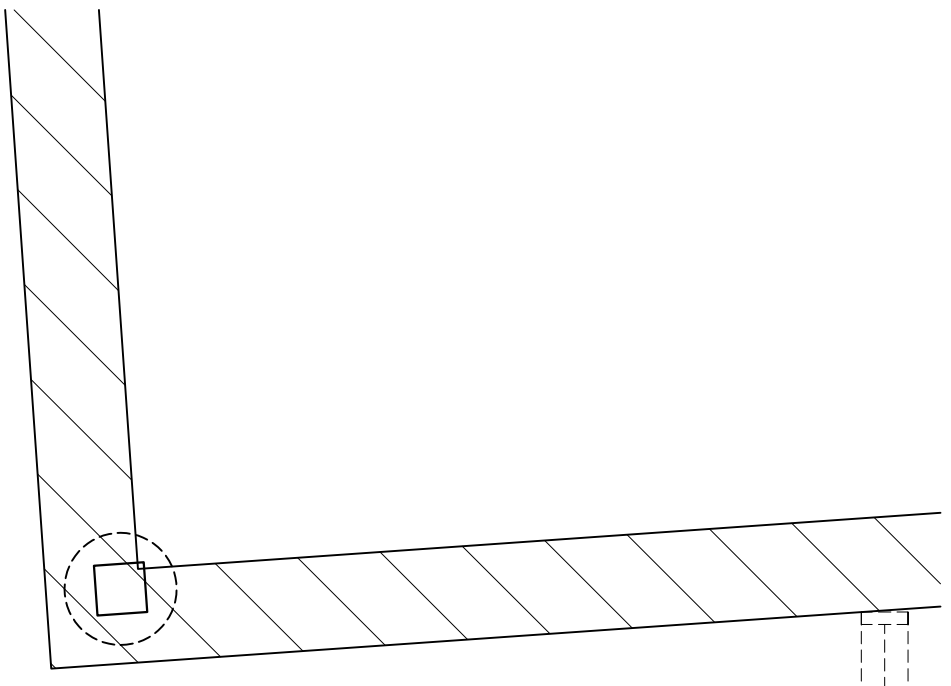
SCALE: AS SHOWN

DATE: 12/3/10

JOB #

4950

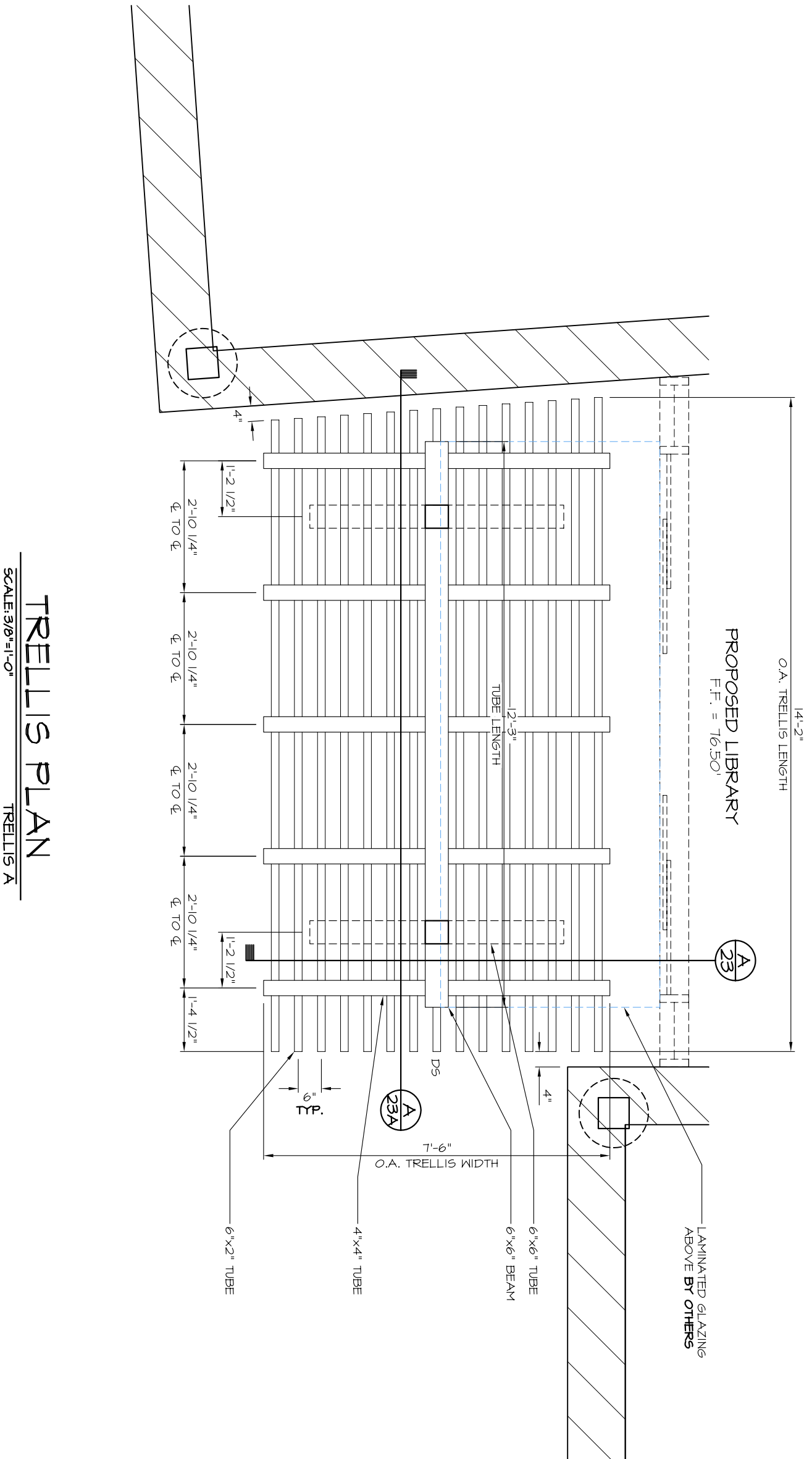
SHT 18 OF 25



**COLUMN SETTING PLAN**  
 SCALE: 3/8"=1'-0"  
 TRELLIS A

REVISIONS DRAWN: JTG SCALE: AS SHOWN DATE: 12/3/10 JOB # <b>4950</b> SH# 19 OF 25	JOB NAME: FBC LIBRARY - UNIVERSITY BRANCH LOCATION: SUGAR LAND, TX
	ARCHITECT: RAY BAILEY ARCHITECTS, INC. CONTRACTOR: E.E. REED CONSTRUCTION COMPANY, INC.

peachtree protective covers  
 1477 ROSEDALE DRIVE HIRAM, GA 30141 PHONE (770) 439-2120 FAX (770) 439-2122



**TRELLIS PLAN**  
 TRELLIS A

SCALE: 3/8"=1'-0"

**REVISIONS**

DRAWN: JTG

SCALE: AS SHOWN

DATE: 12/3/10

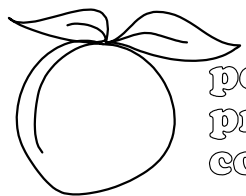
JOB #

**4950**

SHT 20 OF 25

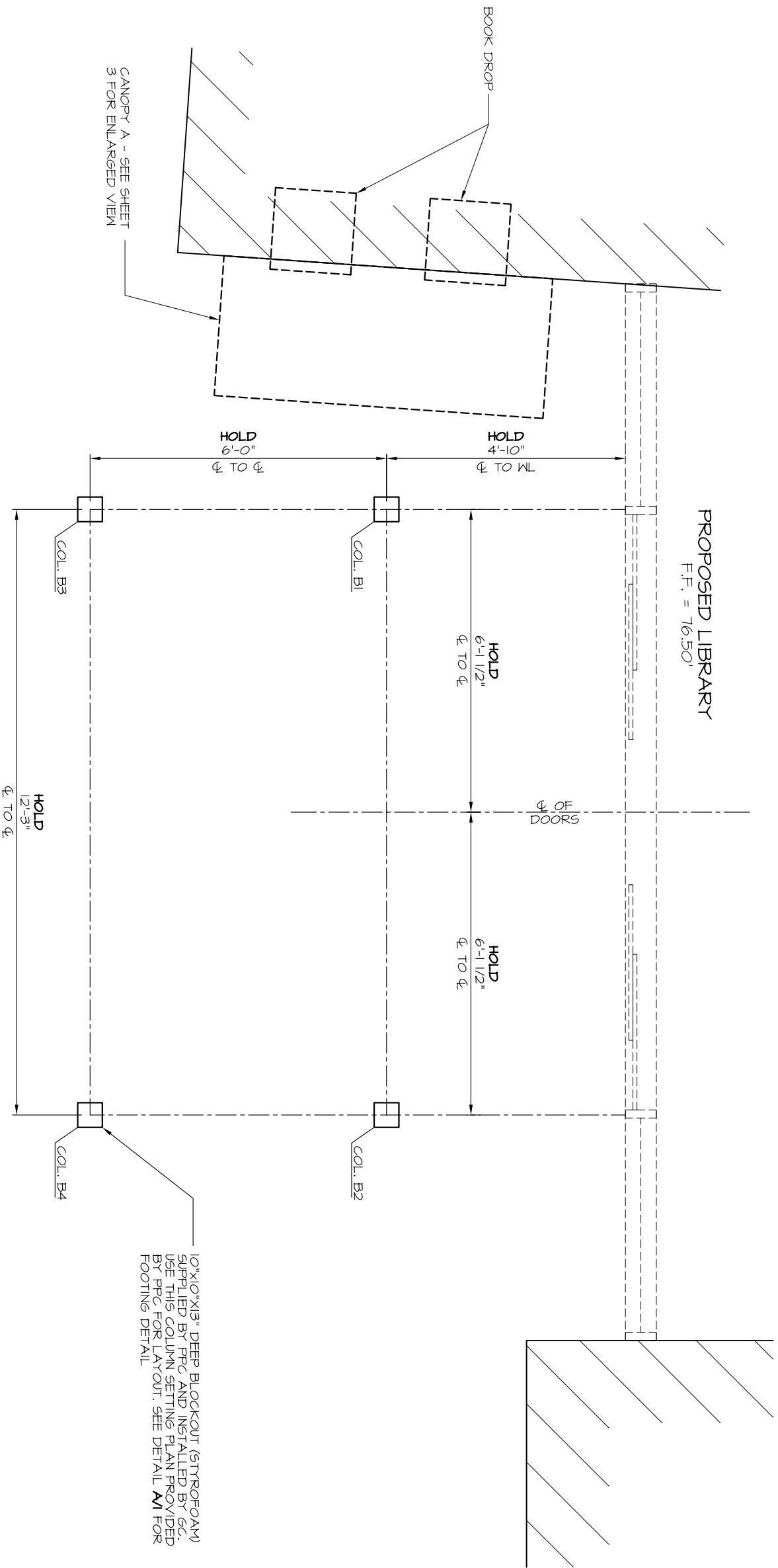
JOB NAME: FBC LIBRARY - UNIVERSITY BRANCH  
 LOCATION: SUGAR LAND, TX

ARCHITECT: RAY BAILEY ARCHITECTS, INC.  
 CONTRACTOR: E.E. REED CONSTRUCTION COMPANY, INC.



peachtree  
 protective  
 covers

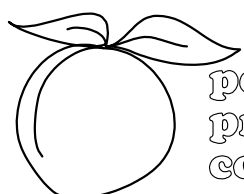
1477 ROSEDALE DRIVE HIRAM, GA 30141  
 PHONE (770) 439-2120 FAX (770) 439-2122



**COLUMN SETTING PLAN**  
 SCALE: 3/8"=1'-0"  
 TRELLIS B

JOB NAME: FBC LIBRARY - UNIVERSITY BRANCH  
 LOCATION: SUGAR LAND, TX

ARCHITECT: RAY BAILEY ARCHITECTS, INC.  
 CONTRACTOR: E.E. REED CONSTRUCTION COMPANY, INC.



peachtree  
 protective  
 covers

1477 ROSEDALE DRIVE PHONE (770) 439-2120  
 HIRAM, GA 30141 FAX (770) 439-2122

REVISIONS

2/12/11 JTG

DRAWN: JTG

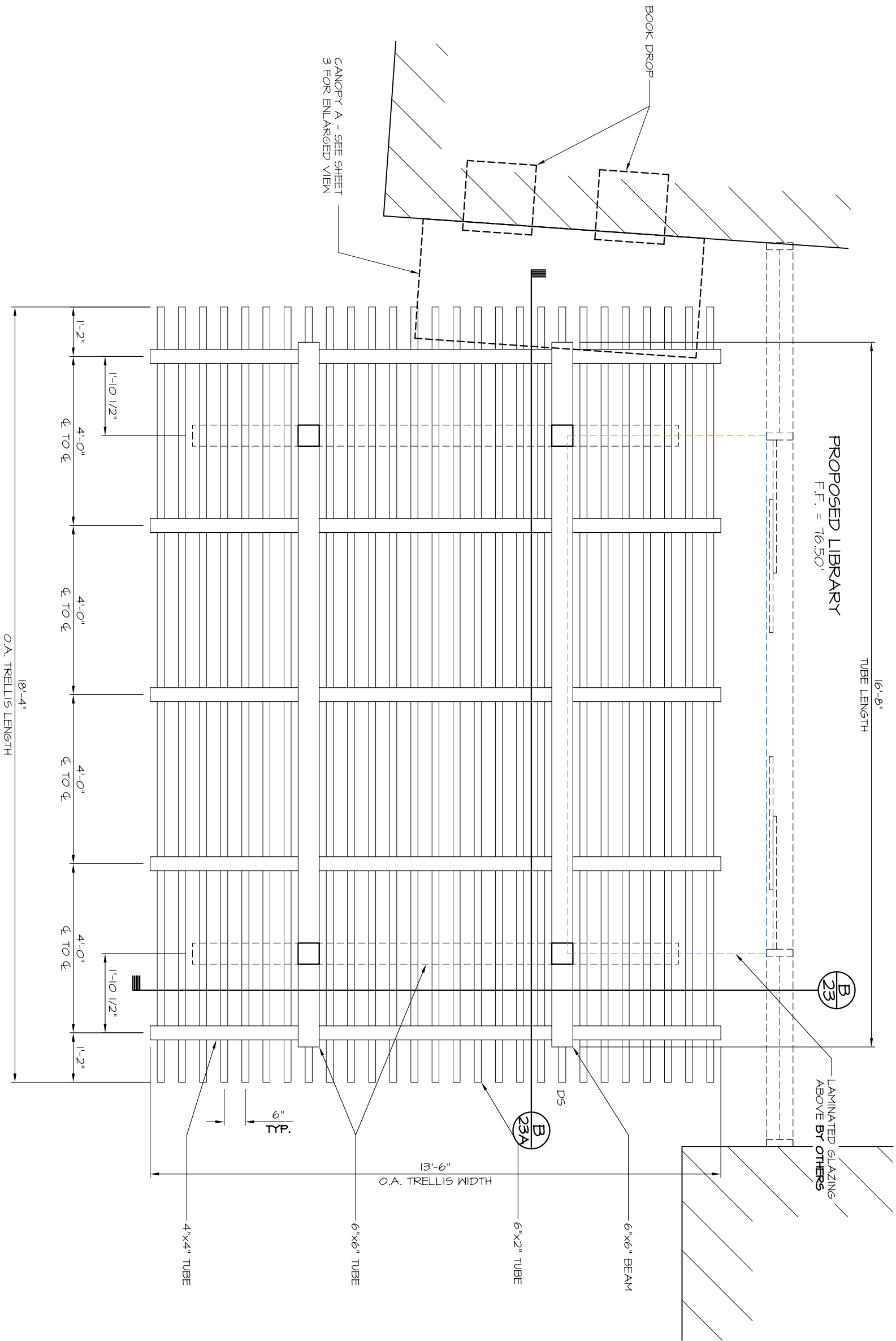
SCALE: AS SHOWN

DATE: 12/3/10

JOB #

**4950**

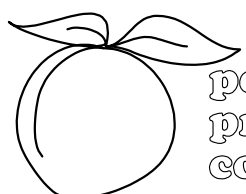
SHT 21 OF 25



**TRELLIS PLAN**  
 TRELLIS B  
 SCALE: 3/8"=1'-0"

JOB NAME: FBC LIBRARY - UNIVERSITY BRANCH  
 LOCATION: SUGAR LAND, TX

ARCHITECT: RAY BAILEY ARCHITECTS, INC.  
 CONTRACTOR: E.E. REED CONSTRUCTION COMPANY, INC.



peachtree  
 protective  
 covers

1477 ROSEDALE DRIVE PHONE (770) 439-2120  
 HIRAM, GA 30141 FAX (770) 439-2122

REVISIONS

DRAWN: JTG

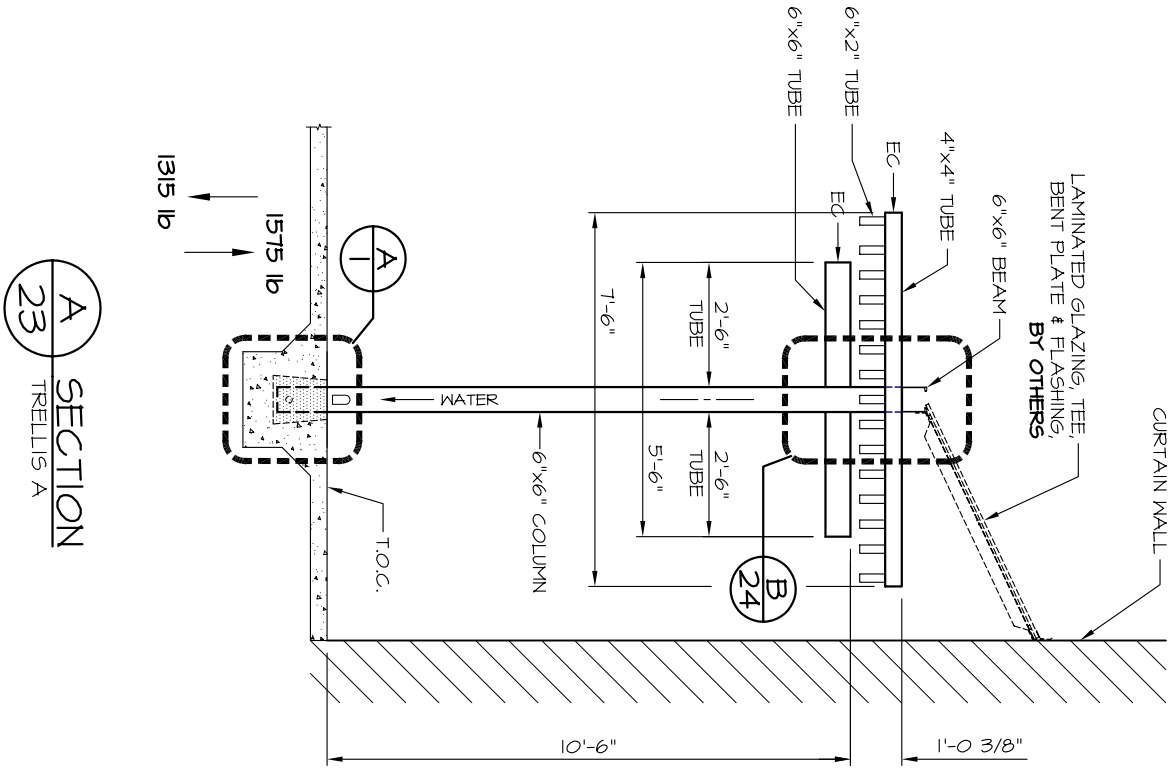
SCALE: AS SHOWN

DATE: 12/3/10

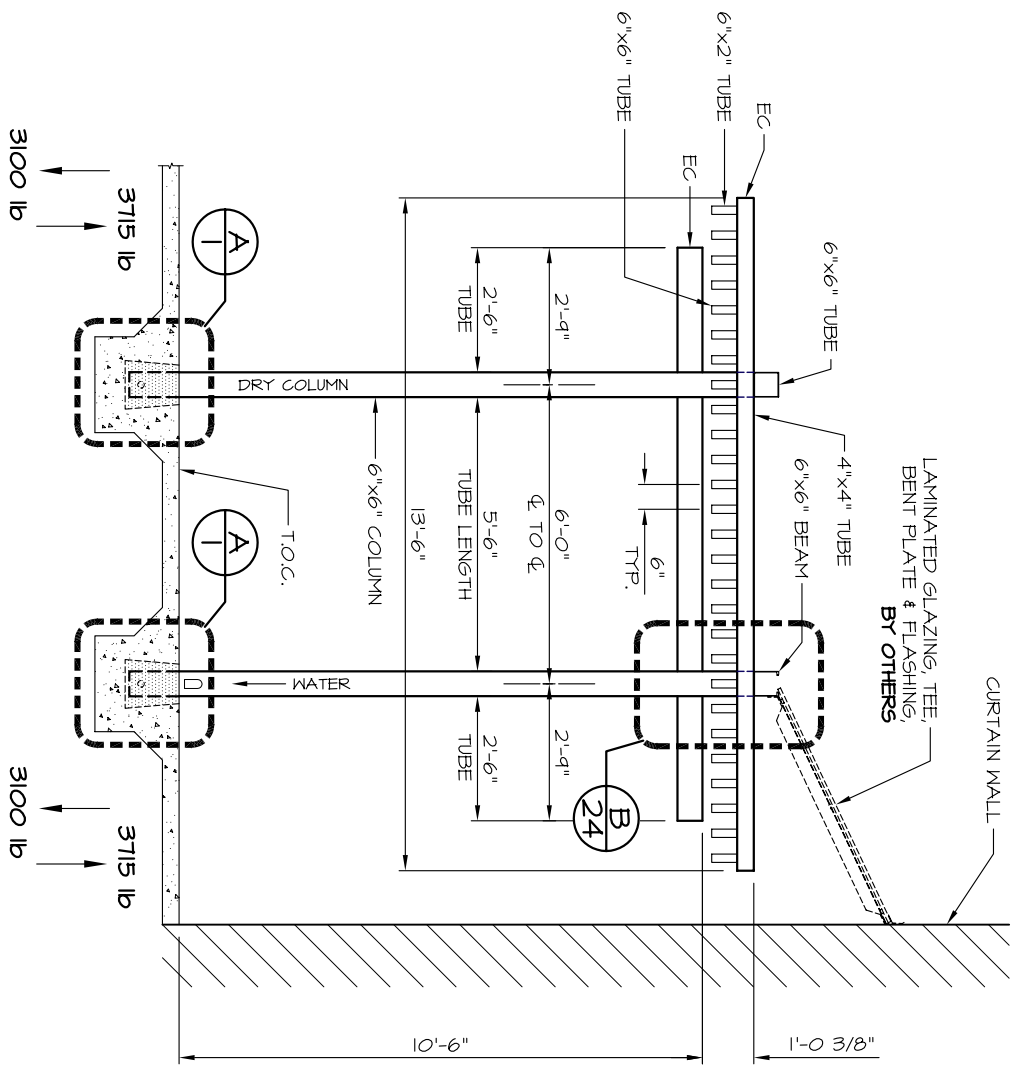
JOB #

4950

SHT 22 OF 25



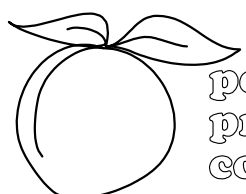
A SECTION  
 23 TRELLIS A



B SECTION  
 23 TRELLIS B

JOB NAME: FBC LIBRARY - UNIVERSITY BRANCH  
 LOCATION: SUGAR LAND, TX

ARCHITECT: RAY BAILEY ARCHITECTS, INC.  
 CONTRACTOR: E.E. REED CONSTRUCTION COMPANY, INC.



peachtree  
 protective  
 covers

1477 ROSEDALE DRIVE PHONE (770) 439-2120  
 HIRAM, GA 30141 FAX (770) 439-2122

REVISIONS

DRAWN: JTG

SCALE: AS SHOWN

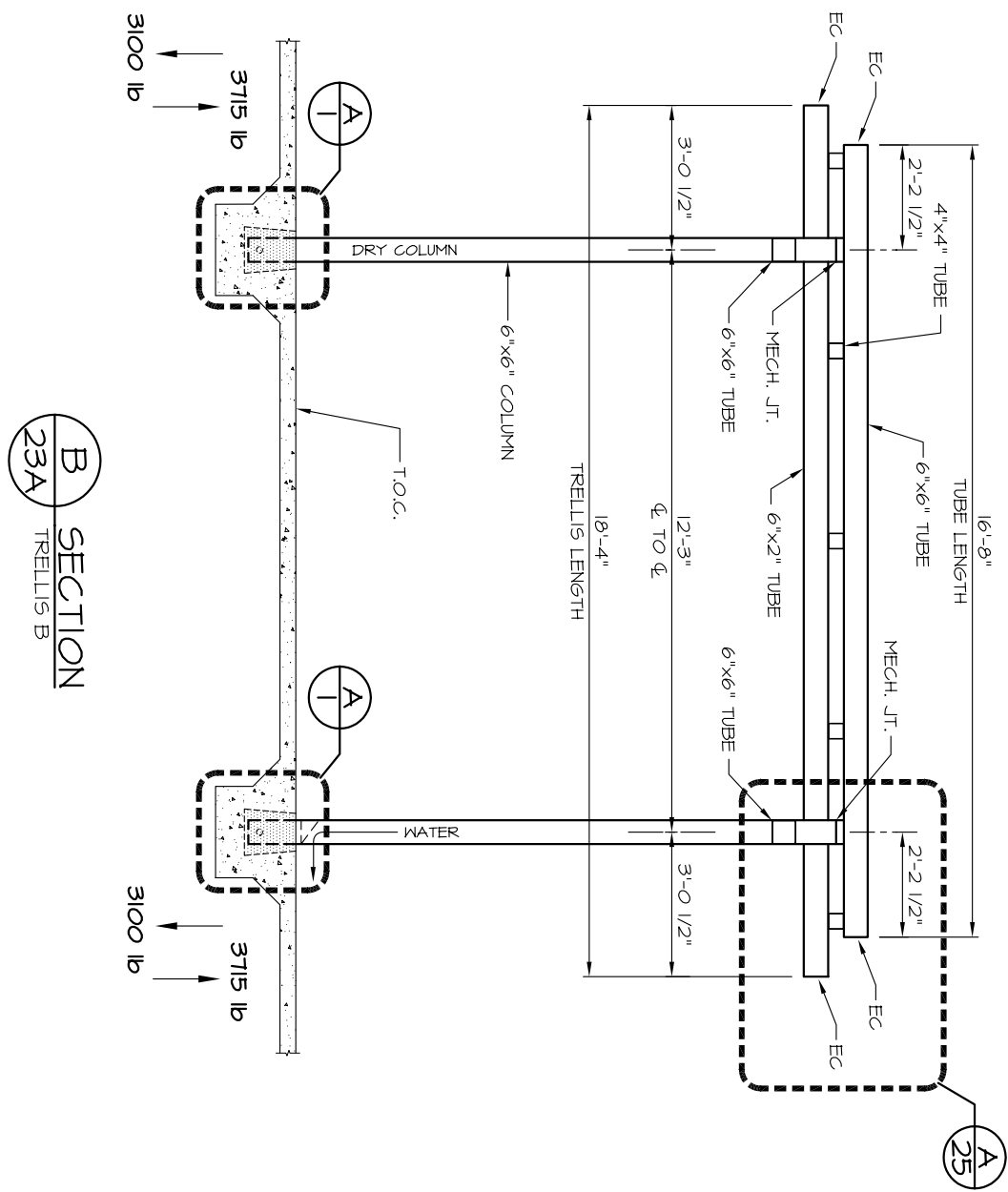
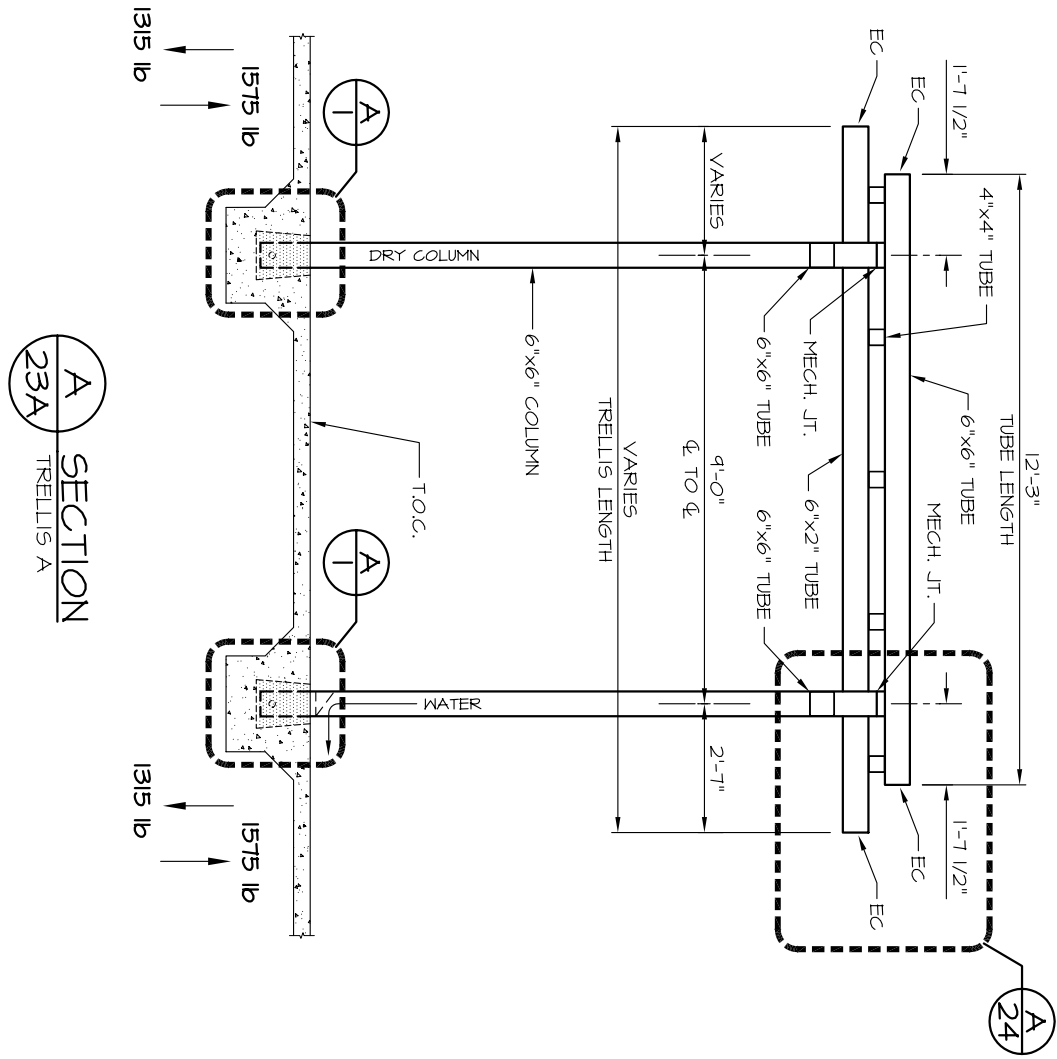
DATE: 12/3/10

JOB #

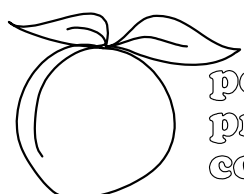
4950

SHT 23 OF 25





JOB NAME: FBC LIBRARY - UNIVERSITY BRANCH  
 LOCATION: SUGAR LAND, TX  
 ARCHITECT: RAY BAILEY ARCHITECTS, INC.  
 CONTRACTOR: E.E. REED CONSTRUCTION COMPANY, INC.



peachtree  
 protective  
 covers

1477 ROSEDALE DRIVE PHONE (770) 439-2120  
 HIRAM, GA 30141 FAX (770) 439-2122

REVISIONS

DRAWN: JTG

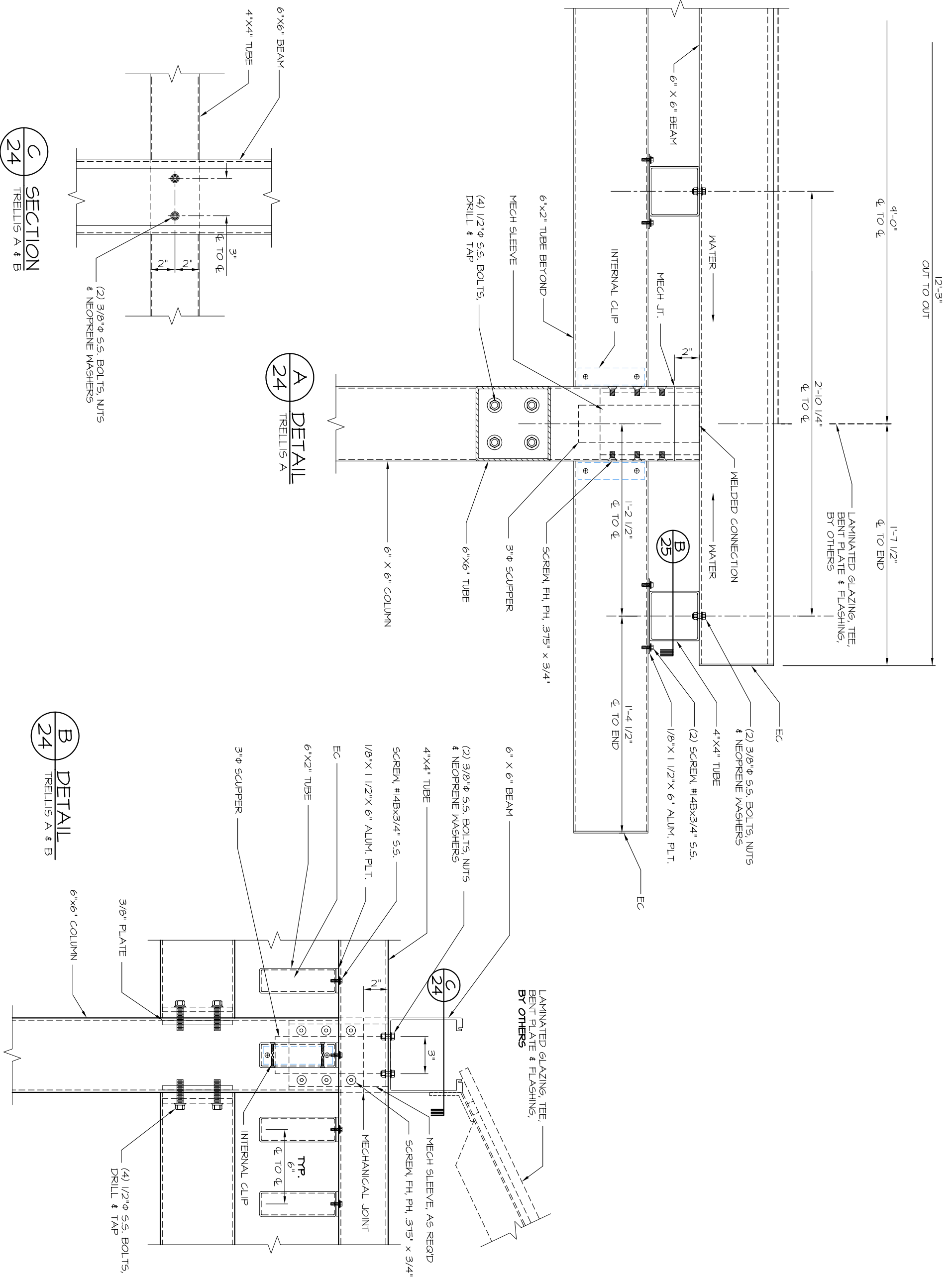
SCALE: AS SHOWN

DATE: 12/3/10

JOB #

4950

SHT 23A OF 25



**C**  
SECTION  
24  
TRELLIS A & B

**A**  
DETAIL  
24  
TRELLIS A

**B**  
DETAIL  
24  
TRELLIS A & B

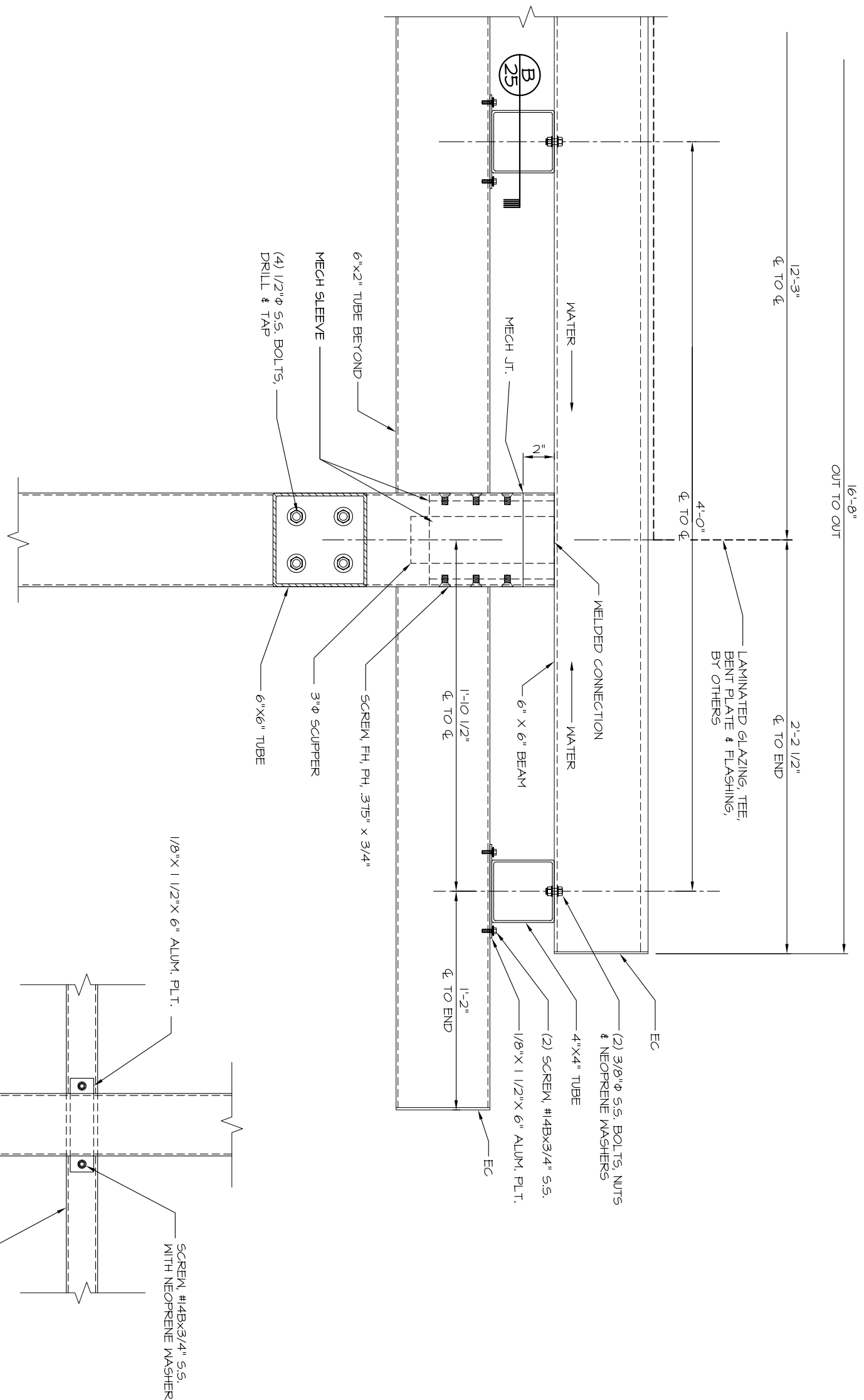
**C**  
24

JOB NAME: FBC LIBRARY - UNIVERSITY BRANCH LOCATION: SUGAR LAND, TX	
ARCHITECT: RAY BAILEY ARCHITECTS, INC. CONTRACTOR: E.E. REED CONSTRUCTION COMPANY, INC.	
<b>REVISIONS</b> 2/12/11 JTG	
DRAWN: JTG	
SCALE: AS SHOWN	
DATE: 12/3/10	
JOB # <b>4950</b>	
SHT 24 OF 25	



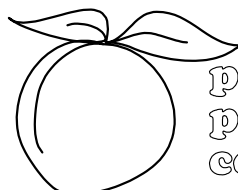
peachtree  
protective  
covers

1477 ROSEDALE DRIVE HIRAM, GA 30141  
 PHONE (770) 439-2120  
 FAX (770) 439-2122



**A** DETAIL  
 25 TRELIS B

**B** SECTION  
 25 TRELIS A & B



peachtree  
 protective  
 covers

1477 ROSEDALE DRIVE PHONE (770) 439-2120  
 HIRAM, GA 30141 FAX (770) 439-2122

JOB NAME: FBC LIBRARY - UNIVERSITY BRANCH  
 LOCATION: SUGAR LAND, TX

ARCHITECT: RAY BAILEY ARCHITECTS, INC.  
 CONTRACTOR: E.E. REED CONSTRUCTION COMPANY, INC.