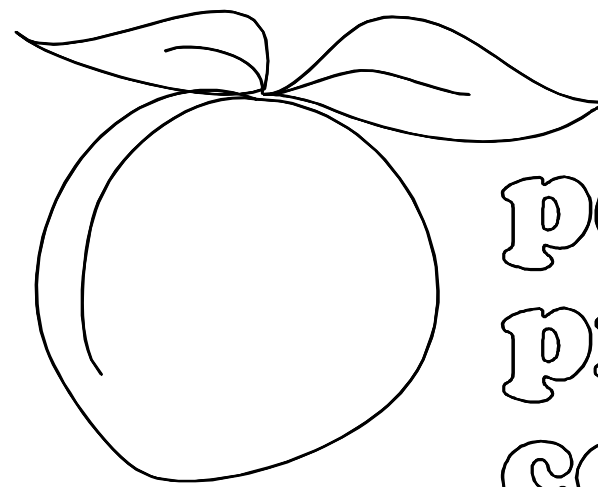


JOB # 4020



peachtree  
protective  
covers

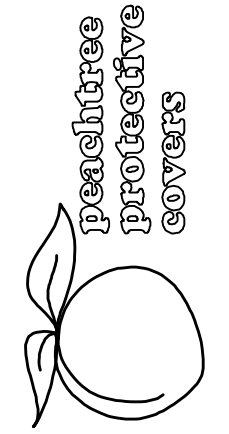
GSA - FEMA OFFICE &  
WAREHOUSE

WINCHESTER, VA.

BY  
KAPLAN-McLAUGHLIN DIAZ,  
ARCHITECTS

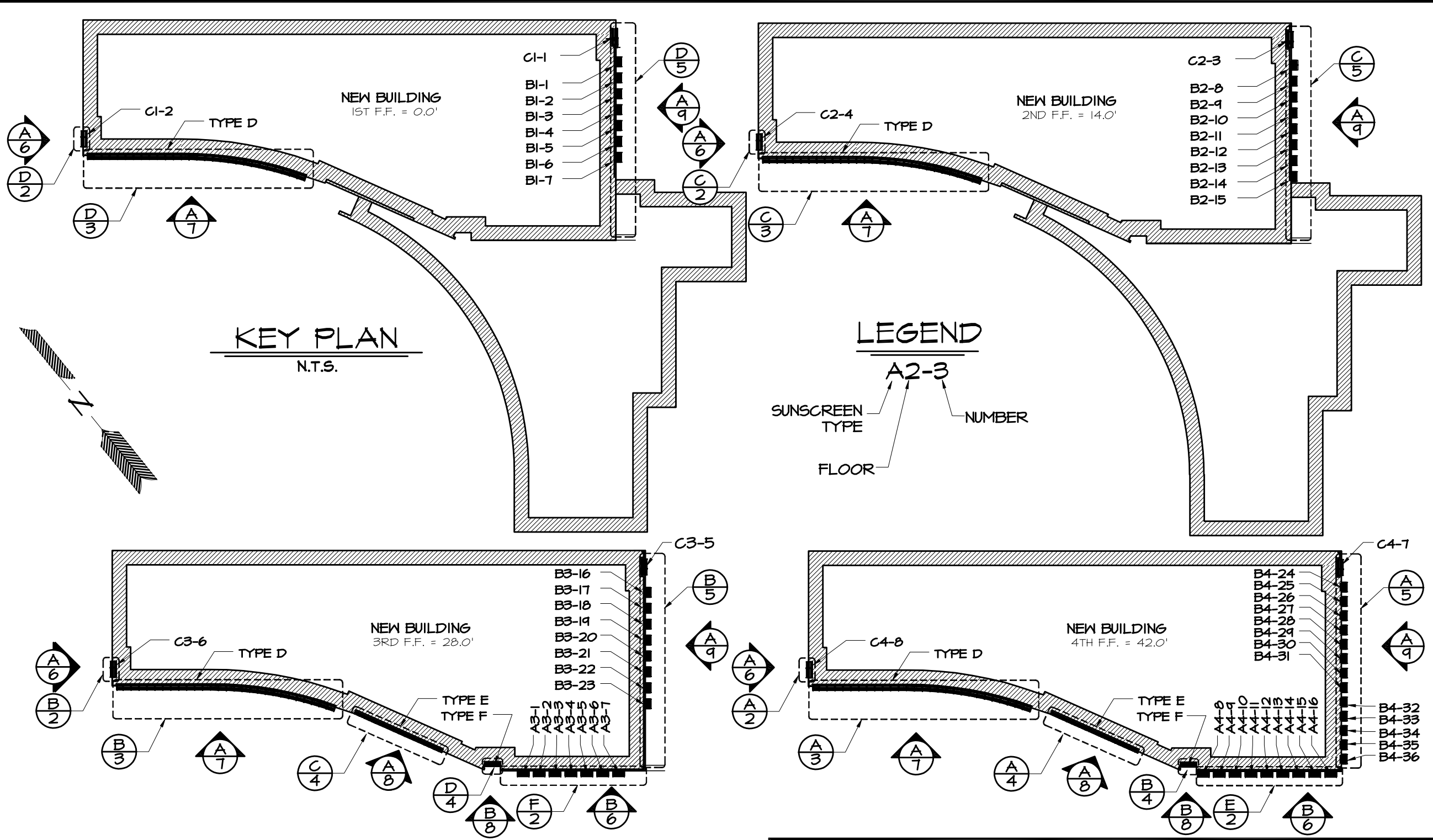
JUNE 18, 2007

1477 ROSEDALE DRIVE  
HIRAM, GA 30141  
(770) 439-2120  
Fax (770) 439-2122



1477 ROSEDALE DRIVE PHONE (770) 434-2120  
HIRAM, GA 30141 FAX (770) 434-2122

JOB NAME: GSA-FEMA OFFICE AND WAREHOUSE  
LOCATION: WINCHESTER, VA.  
ARCHITECT: KAPLAN- McLAUGHLIN- DIAZ, ARCHITECTS  
CONTRACTOR: HARVEY- CLEARY BUILDERS



REVISIONS	
3/20/07 RW	
6/18/07 DEP	

DRAWN: DEP

SCALE: AS SHOWN

DATE: 3/19/07

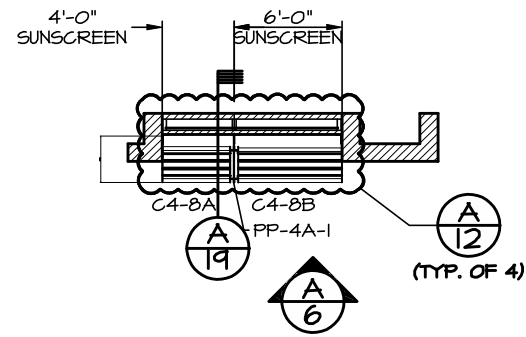
JOB #  
**4020**  
SHT | OF 23

FINISH SCHEDULE		
DESCRIPTION	FINISH	COLOR
6" ELLIPTICAL BLADES	ANODIZED	CLEAR, A31
8" ELLIPTICAL BLADES	ANODIZED	CLEAR, A31
1/4"X2 1/2"X2 1/2" ANGLE	ANODIZED	CLEAR, A31
1/4" x 5" OUTRIGGERS	ANODIZED	CLEAR, A31
1/4" x 6" OUTRIGGERS	ANODIZED	CLEAR, A31
3/8"x12" OUTRIGGERS	ANODIZED	CLEAR, A31
1/8" PERF. ALUM. PANELS	ANODIZED	CLEAR, A31
3/8"x3 1/2"x6" CLIPS	ANODIZED	CLEAR, A31

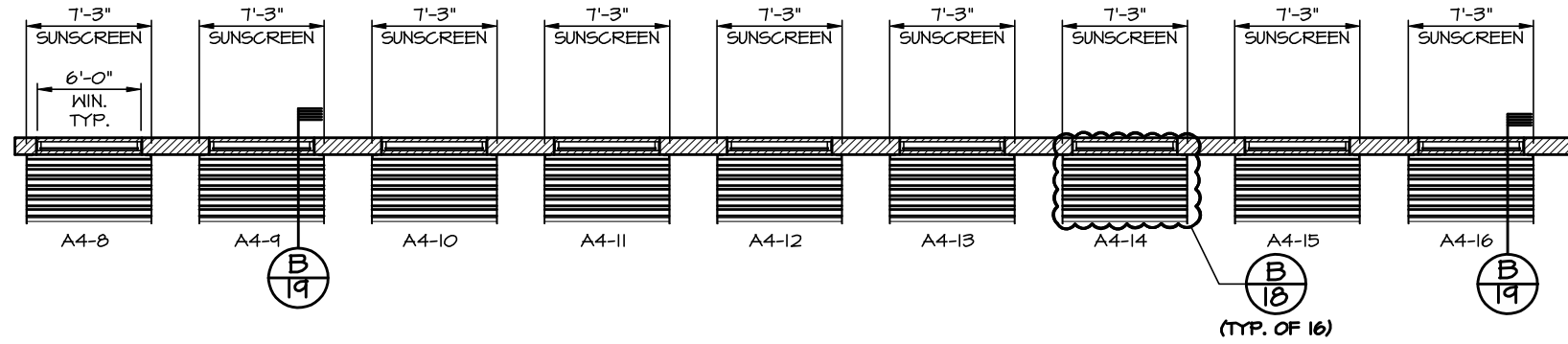
SUNSCREENS			
TYPE	SIZE	LOCATION	QNTY.
A	4'-0" X 7'-3"	SOUTH ELEV.- 3RD & 4TH FL.	16
B	4'-0" X 6'-1"	EAST ELEV.- 1ST, 2ND, 3RD & 4TH FL.	34
C	2'-0" X 10'-0"	EAST & WEST ELEV.- 1ST, 2ND, 3RD & 4TH FL.	8
D	2'-0" X 5'-0" +/-	SOUTH ELEV.- 1ST, 2ND, 3RD & 4TH FL.	112
E	0'-8" X 60'-0"	SOUTH ELEV.- 3RD & 4TH FL.	21
F	0'-8" X 9'-9 3/4"	SOUTH ELEV.- 3RD & 4TH FL.	21

Drawing: 4020-SBI.DWG Layout: Model  
Saved: 3/19/07 9:13am By: mfrretty

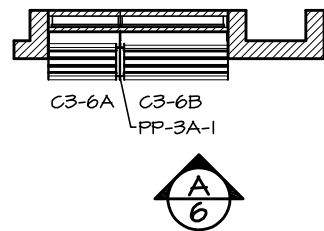
Drawing: 4020-SBI.DWG Layout: Model  
 Saved: 3/19/07 9:13am By: mifretty



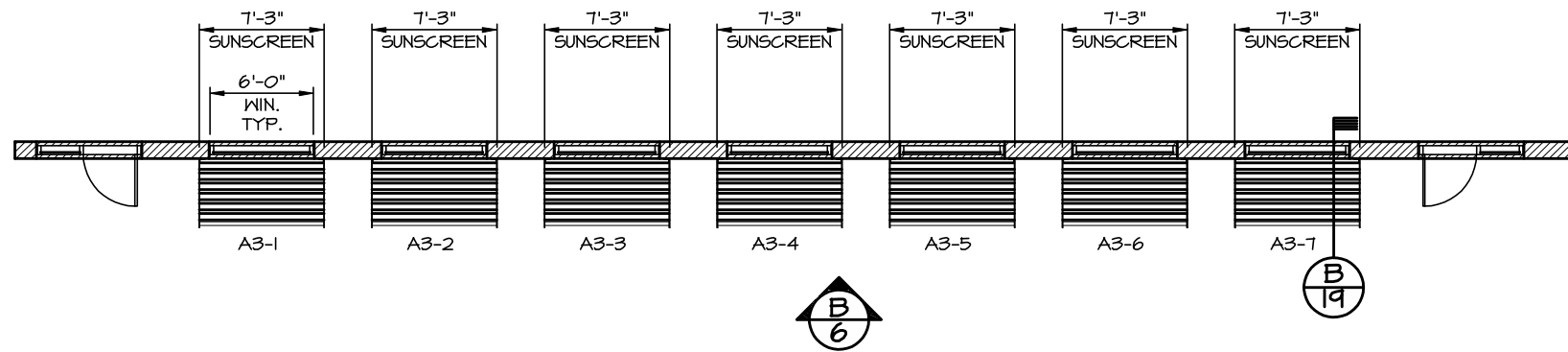
**A**  
**2** SUNSCREEN PLAN- TYPE C  
 SCALE: 3/32"=1'-0" FOURTH FLOOR



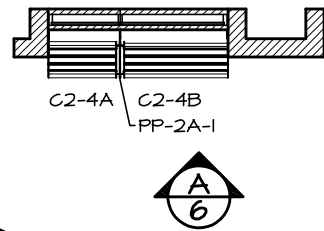
**E**  
**2** SUNSCREEN PLAN- TYPE A  
 SCALE: 3/32"=1'-0" FOURTH FLOOR



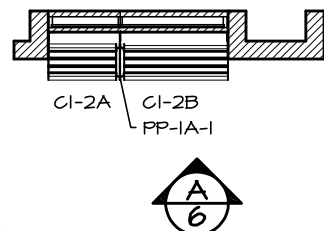
**B**  
**2** SUNSCREEN PLAN- TYPE C  
 SCALE: 3/32"=1'-0" THIRD FLOOR



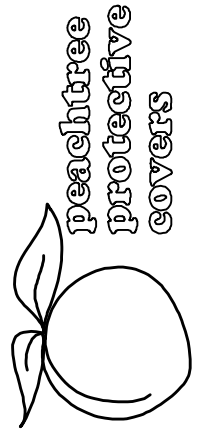
**F**  
**2** SUNSCREEN PLAN- TYPE A  
 SCALE: 3/32"=1'-0" THIRD FLOOR



**C**  
**2** SUNSCREEN PLAN- TYPE C  
 SCALE: 3/32"=1'-0" SECOND FLOOR



**D**  
**2** SUNSCREEN PLAN- TYPE C  
 SCALE: 3/32"=1'-0" FIRST FLOOR



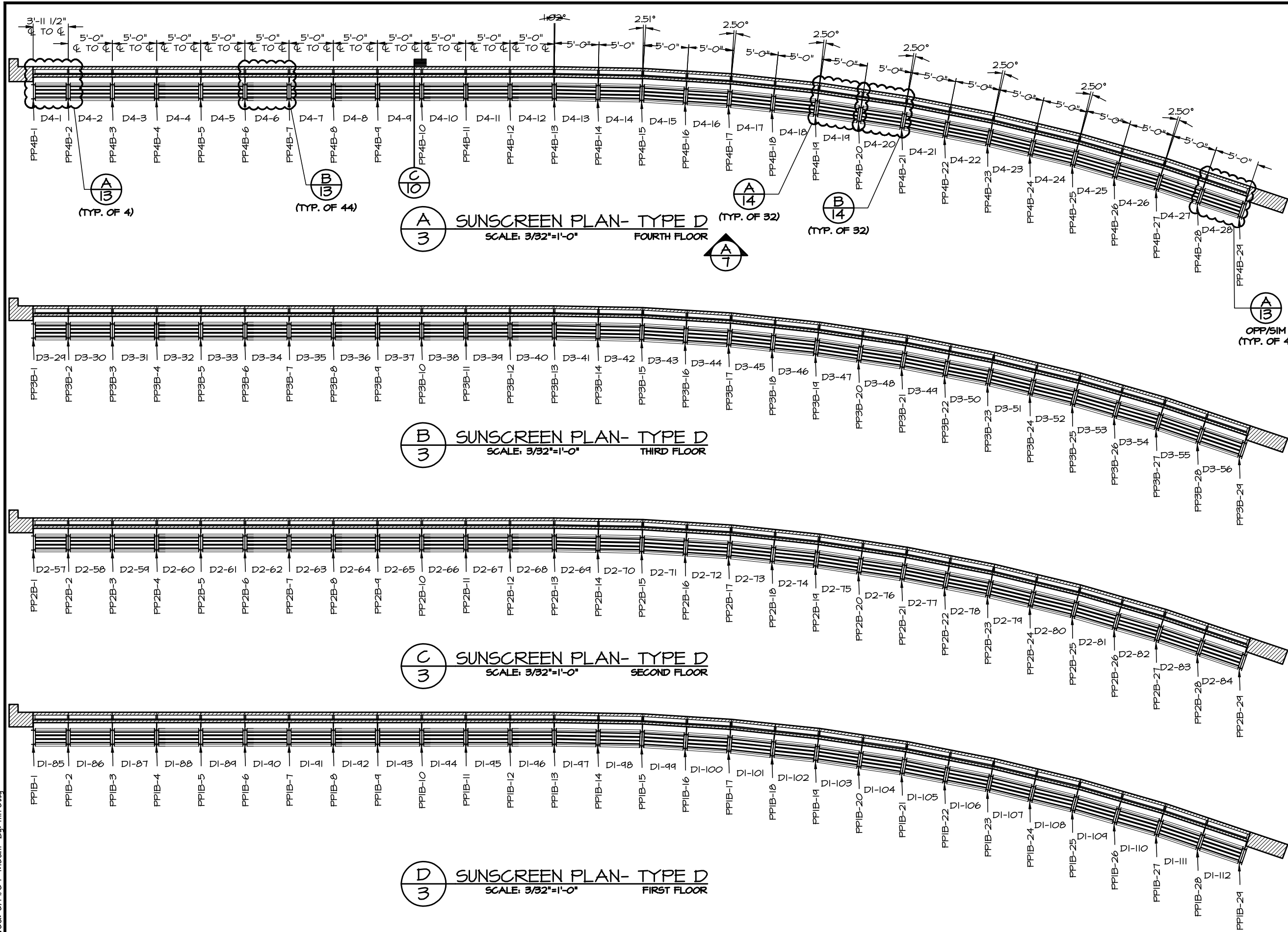
1477 ROSEDALE DRIVE PHONE (770) 434-2120  
 HIRAM, GA 30141 FAX (770) 434-2122

JOB NAME: GSA-FEMA OFFICE AND WAREHOUSE  
 LOCATION: WINCHESTER, VA.  
 ARCHITECT: KAPLAN- McLAUGHLIN- DIAZ, ARCHITECTS  
 CONTRACTOR: HARVEY- CLEARY BUILDERS

REVISIONS	

DRAWN: DEP  
 SCALE: AS SHOWN  
 DATE: 3/19/07  
 JOB #  
**4020**  
 SHT 2 OF 23

Drawing: 4020-SB1.DWG Layout: Model  
 Saved: 3/19/07 4:13am By: mifretty



**A**  
**3** SUNSCREEN PLAN- TYPE D  
 SCALE: 3/32"=1'-0"  
 FOURTH FLOOR

**B**  
**3** SUNSCREEN PLAN- TYPE D  
 SCALE: 3/32"=1'-0"  
 THIRD FLOOR

**C**  
**3** SUNSCREEN PLAN- TYPE D  
 SCALE: 3/32"=1'-0"  
 SECOND FLOOR

**D**  
**3** SUNSCREEN PLAN- TYPE D  
 SCALE: 3/32"=1'-0"  
 FIRST FLOOR

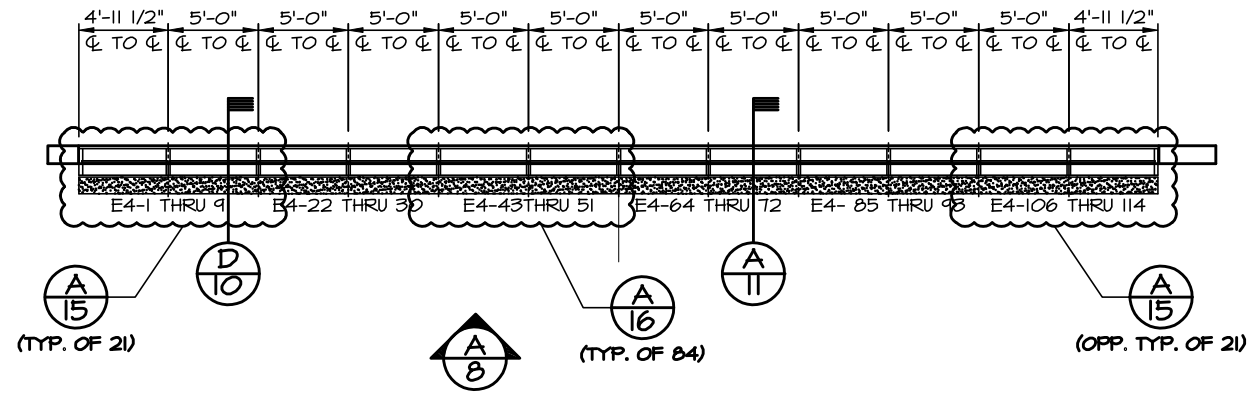


JOB NAME: GSA-FEMA OFFICE AND WAREHOUSE  
 LOCATION: WINCHESTER, VA.  
 ARCHITECT: KAPLAN- McLAUGHLIN- DIAZ, ARCHITECTS  
 CONTRACTOR: HARVEY- CLEARY BUILDERS

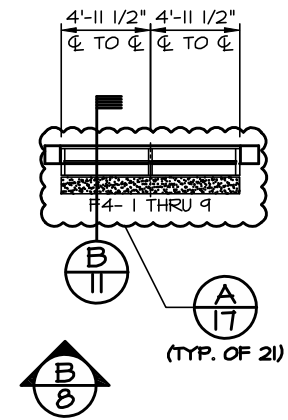
REVISIONS	

DRAWN: DEP  
 SCALE: AS SHOWN  
 DATE: 3/19/07  
 JOB #  
**4020**  
 SHT 3 OF 23

Drawing: 4020-SBI.DWG Layout: Model  
 Saved: 3/19/07 9:13am By: mifretty



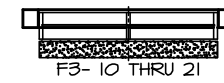
A / 4 SUNSCREEN PLAN- TYPE E  
 SCALE: 3/32"=1'-0" FOURTH FLOOR



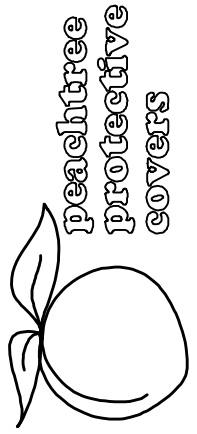
B / 4 SUNSCREEN PLAN- TYPE F  
 SCALE: 3/32"=1'-0" FOURTH FLOOR



C / 4 SUNSCREEN PLAN- TYPE E  
 SCALE: 3/32"=1'-0" THIRD FLOOR



D / 4 SUNSCREEN PLAN- TYPE F  
 SCALE: 3/32"=1'-0" THIRD FLOOR

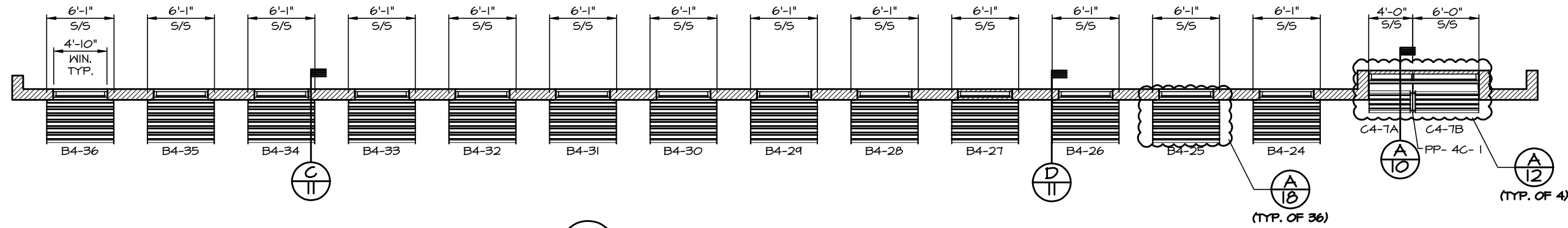


peachtree  
 protective  
 covers  
 1477 ROSEDALE DRIVE PHONE (770) 434-2120  
 HIRAM, GA 30141 FAX (770) 434-2122

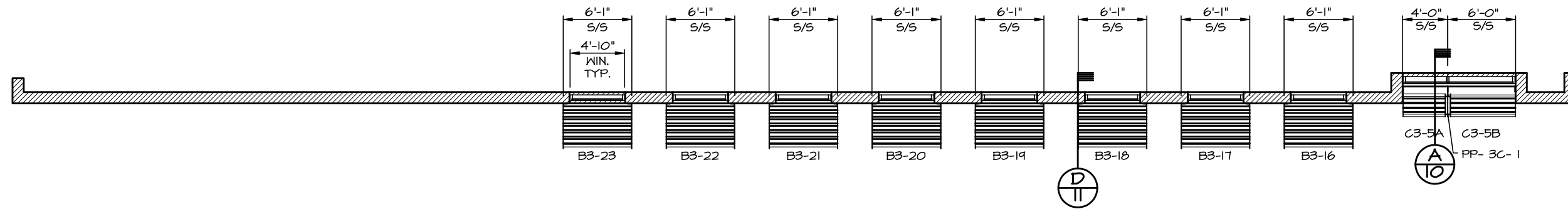
JOB NAME: GSA-FEMA OFFICE AND WAREHOUSE  
 LOCATION: WINCHESTER, VA.  
 ARCHITECT: KAPLAN- McLAUGHLIN- DIAZ, ARCHITECTS  
 CONTRACTOR: HARVEY- CLEARY BUILDERS

REVISIONS	
DRAWN: DEP	
SCALE: AS SHOWN	
DATE: 3/19/07	
JOB #	
4020	
SHT 4 OF 23	

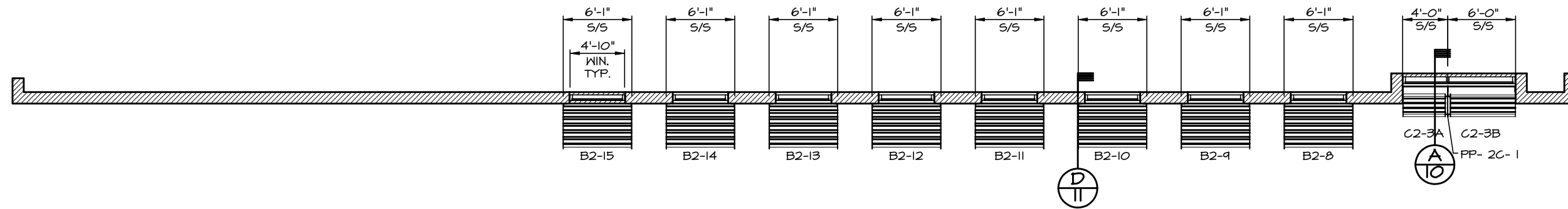
Drawing: 4020-SBI.DWG Layout: Model  
 Saved: 3/19/07 4:13am By: mifretty



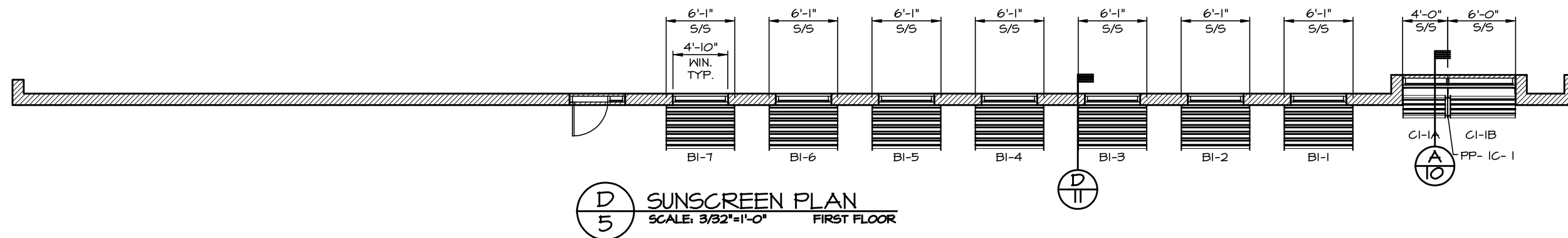
**A**  
 5  
**SUNSCREEN PLAN**  
 SCALE: 3/32"=1'-0"  
 FOURTH FLOOR



**B**  
 5  
**SUNSCREEN PLAN**  
 SCALE: 3/32"=1'-0"  
 THIRD FLOOR



**C**  
 5  
**SUNSCREEN PLAN**  
 SCALE: 3/32"=1'-0"  
 SECOND FLOOR



**D**  
 5  
**SUNSCREEN PLAN**  
 SCALE: 3/32"=1'-0"  
 FIRST FLOOR

peachtree  
 protective  
 covers

1477 ROSEDALE DRIVE PHONE (770) 434-2120  
 HIRAM, GA 30141 FAX (770) 434-2122

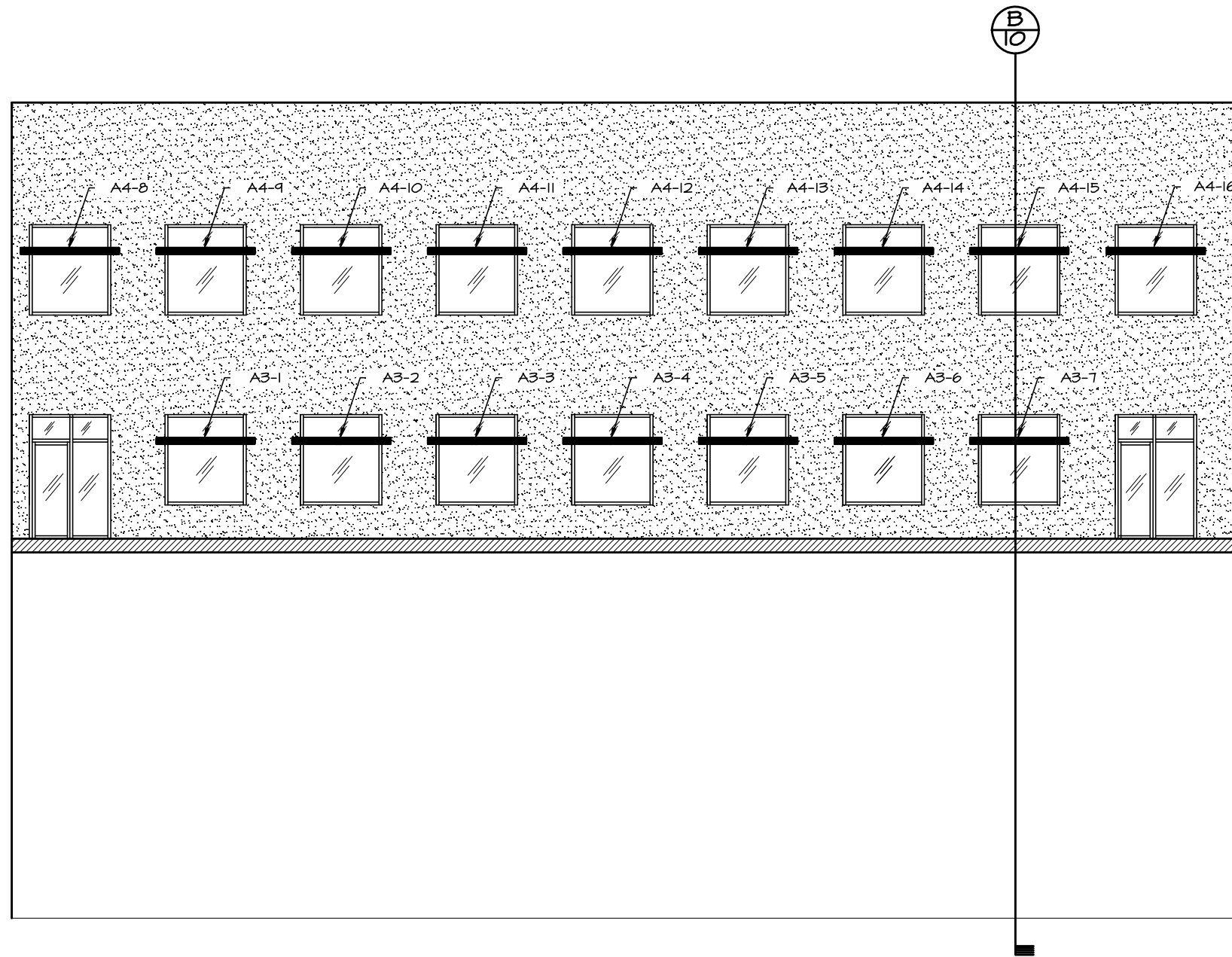
JOB NAME: GSA-FEMA OFFICE AND WAREHOUSE  
 LOCATION: WINCHESTER, VA.  
 ARCHITECT: KAPLAN- McLAUGHLIN- DIAZ, ARCHITECTS  
 CONTRACTOR: HARVEY- CLEARY BUILDERS

REVISIONS	
6/18/07 DEP	
DRAWN: DEP	
SCALE: AS SHOWN	
DATE: 3/19/07	
JOB #	
4020	
SHT 5 OF 23	

Drawing: 4020-SBI.DWG Layout: Model  
 Saved: 3/19/07 9:13am By: mifretty

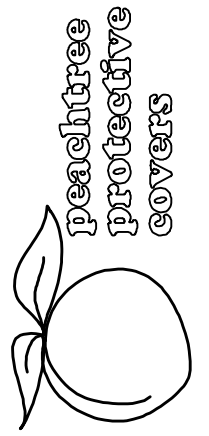


**A**  
6 WEST ELEVATION- (TYPE C)



**B**  
6 PARTIAL SOUTH ELEVATION- (TYPE A)

NOTE:  
 SOME BACKGROUND DETAILS  
 OMITTED FOR CLARITY.



1477 ROSEDALE DRIVE PHONE (770) 434-2120  
 HIRAM, GA 30141 FAX (770) 434-2122

JOB NAME: GSA-FEMA OFFICE AND WAREHOUSE

LOCATION: WINCHESTER, VA.

ARCHITECT: KAPLAN- McLAUGHLIN- DIAZ, ARCHITECTS

CONTRACTOR: HARVEY- CLEARY BUILDERS

REVISIONS

DRAWN: DEP

SCALE: AS SHOWN

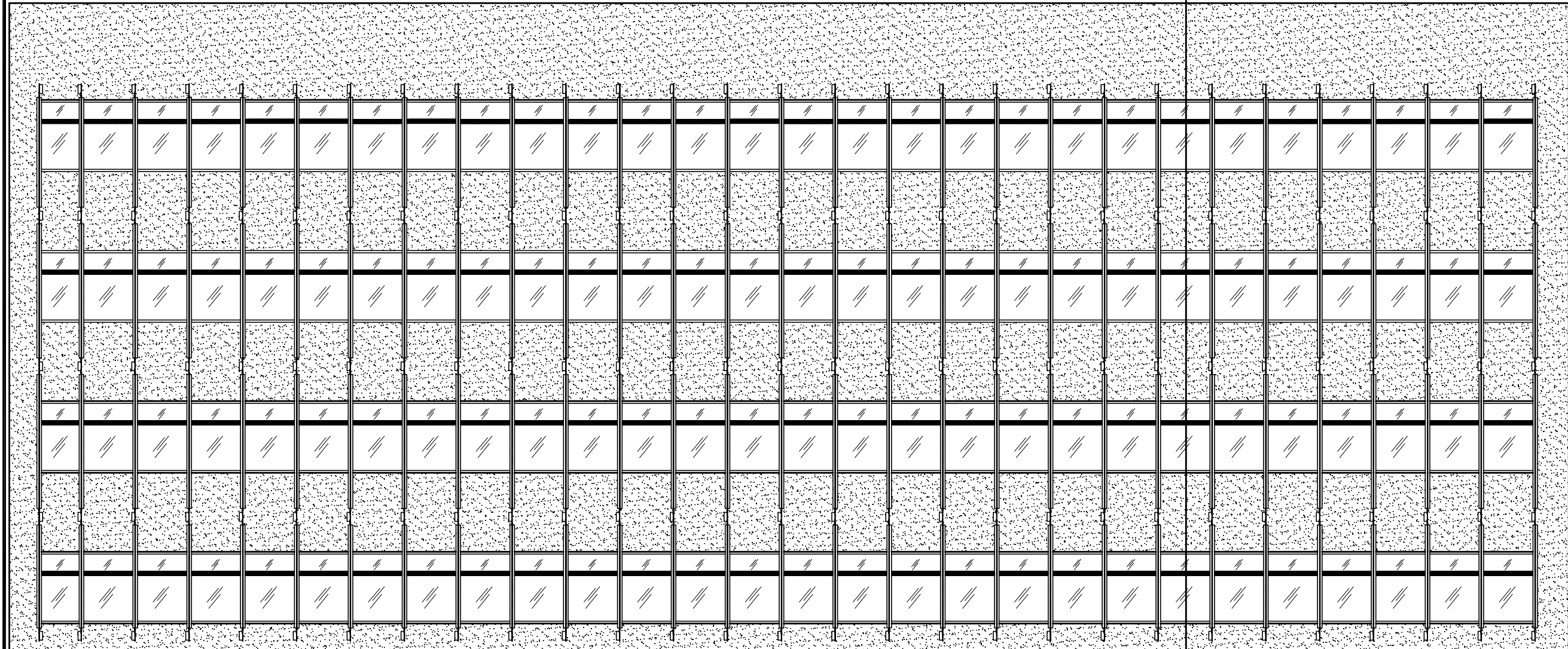
DATE: 3/19/07

JOB #

4020

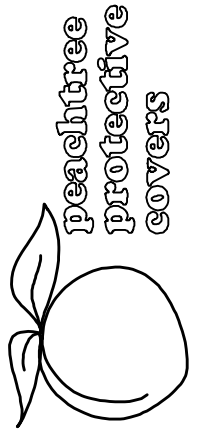
SHT 6 OF 23

Drawing: 4020-SBI.DWG Layout: Model  
Saved: 3/19/07 9:13am By: mifretty



**A**  
**7** PARTIAL SOUTH ELEVATION- (TYPE D)

NOTE:  
SOME BACKGROUND DETAILS  
OMITTED FOR CLARITY.



1477 ROSEDALE DRIVE PHONE (770) 434-2120  
HIRAM, GA 30141 FAX (770) 434-2122

JOB NAME: GSA-FEMA OFFICE AND WAREHOUSE

LOCATION: WINCHESTER, VA.

ARCHITECT: KAPLAN- McLAUGHLIN- DIAZ, ARCHITECTS

CONTRACTOR: HARVEY- CLEARY BUILDERS

REVISIONS

DRAWN: DEP

SCALE: AS SHOWN

DATE: 3/19/07

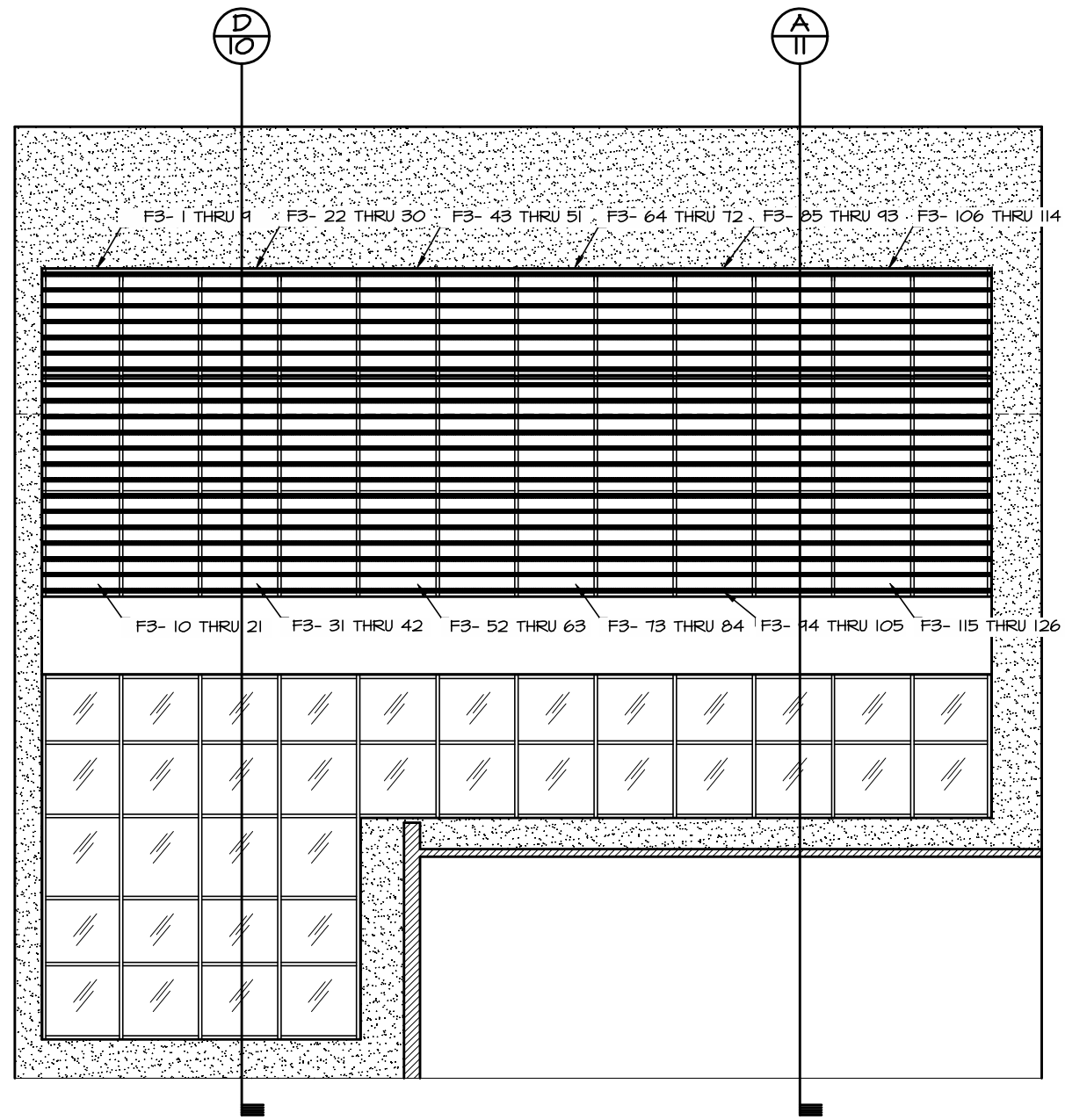
JOB #

4020

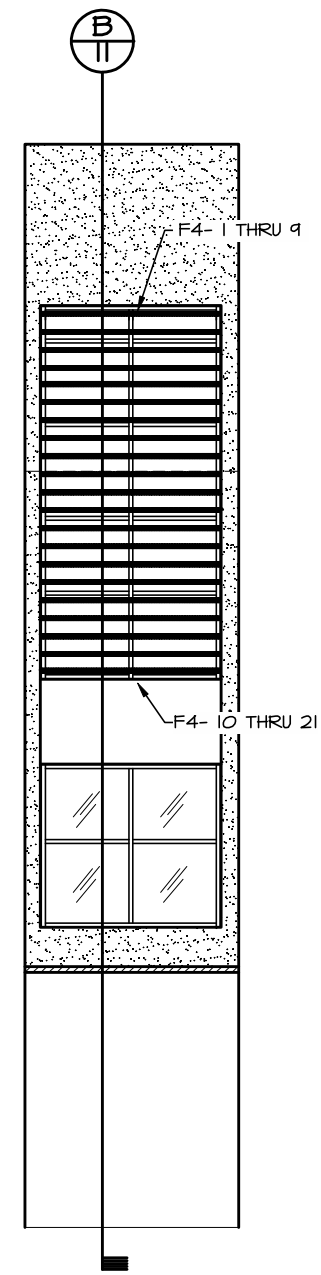
SHT 7 OF 23



Drawing: 4020-SBI.DWG Layout: Model  
 Saved: 3/19/07 9:13am By: mifretty

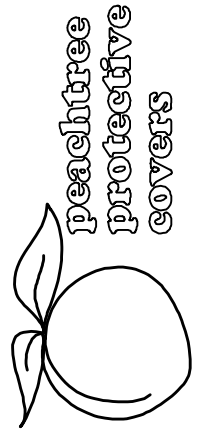


A / 8 PARTIAL SOUTH ELEVATION- (TYPE E)



B / 8 PARTIAL SOUTH ELEVATION- (TYPE F)

NOTE:  
 SOME BACKGROUND DETAILS  
 OMITTED FOR CLARITY.

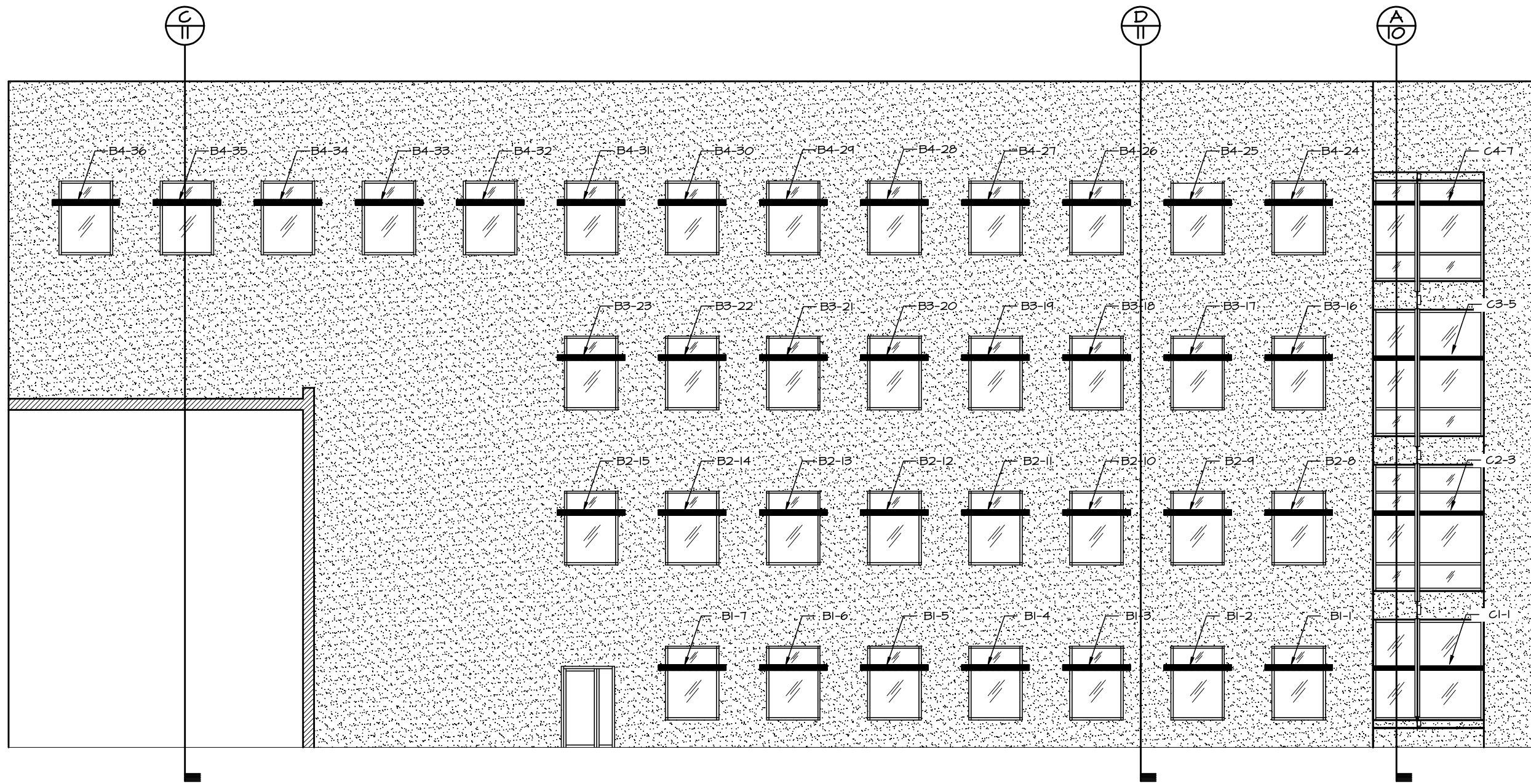


1477 ROSEDALE DRIVE PHONE (770) 434-2120  
 HIRAM, GA 30141 FAX (770) 434-2122

JOB NAME: GSA-FEMA OFFICE AND WAREHOUSE  
 LOCATION: WINCHESTER, VA.  
 ARCHITECT: KAPLAN- McLAUGHLIN- DIAZ, ARCHITECTS  
 CONTRACTOR: HARVEY- CLEARY BUILDERS

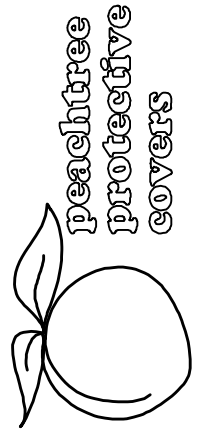
REVISIONS	
DRAWN: DEP	
SCALE: AS SHOWN	
DATE: 3/19/07	
JOB #	
4020	
SHT 8 OF 23	

Drawing: 4020-SB1.DWG Layout: Model  
 Saved: 3/19/07 9:13am By: mifretty



**A**  
9 EAST ELEVATION-(TYPE B & C)

NOTE:  
 SOME BACKGROUND DETAILS  
 OMITTED FOR CLARITY.

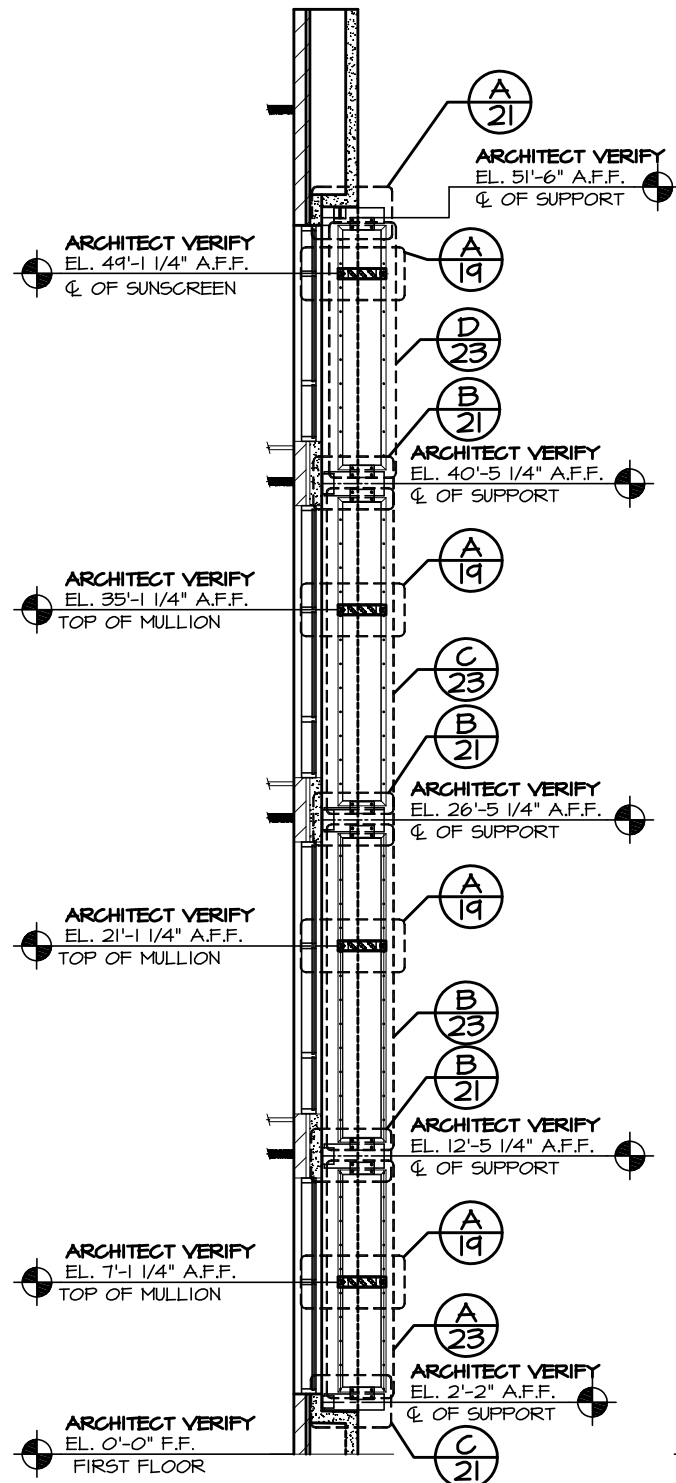


peachtree  
 protective  
 covers  
 1477 ROSEDALE DRIVE PHONE (770) 434-2120  
 HIRAM, GA 30141 FAX (770) 434-2122

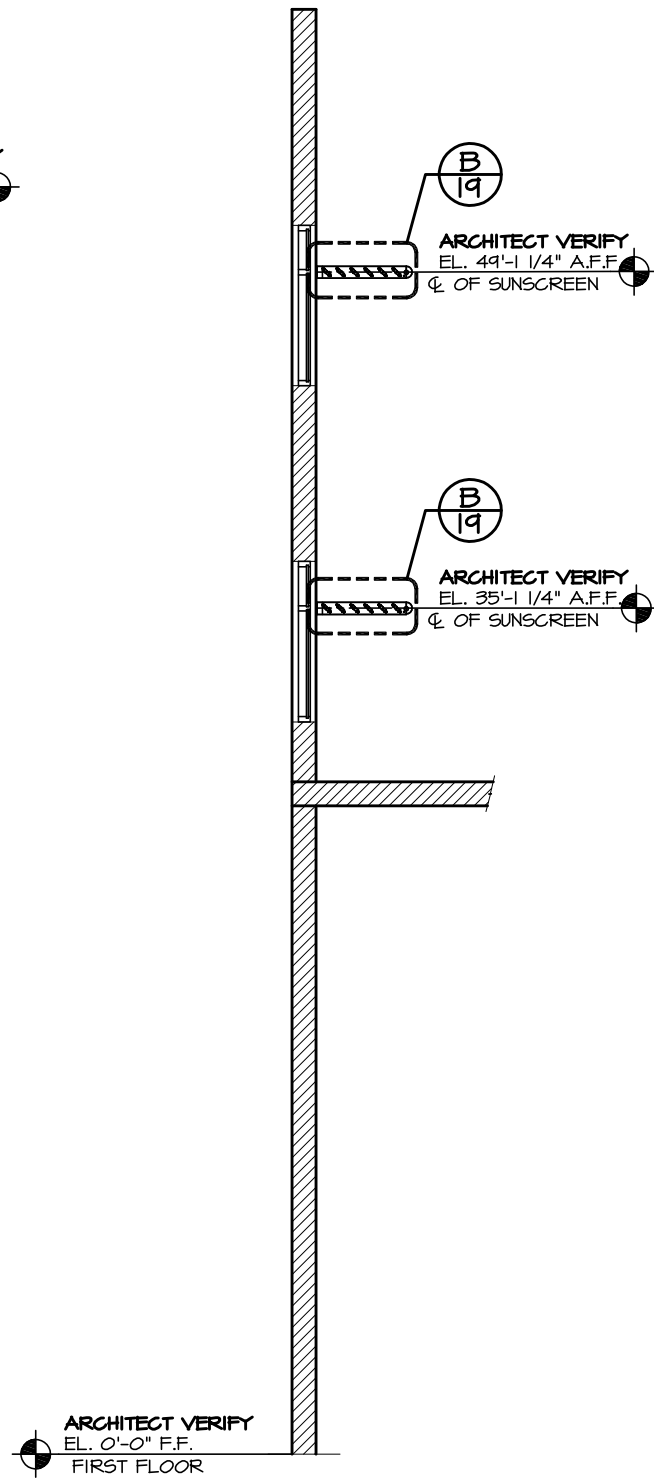
JOB NAME: GSA-FEMA OFFICE AND WAREHOUSE  
 LOCATION: WINCHESTER, VA.  
 ARCHITECT: KAPLAN- McLAUGHLIN- DIAZ, ARCHITECTS  
 CONTRACTOR: HARVEY- CLEARY BUILDERS

REVISIONS	
6/18/07 DEP	
DRAWN: DEP	
SCALE: AS SHOWN	
DATE: 3/19/07	
JOB #	
4020	
SHT 9 OF 23	

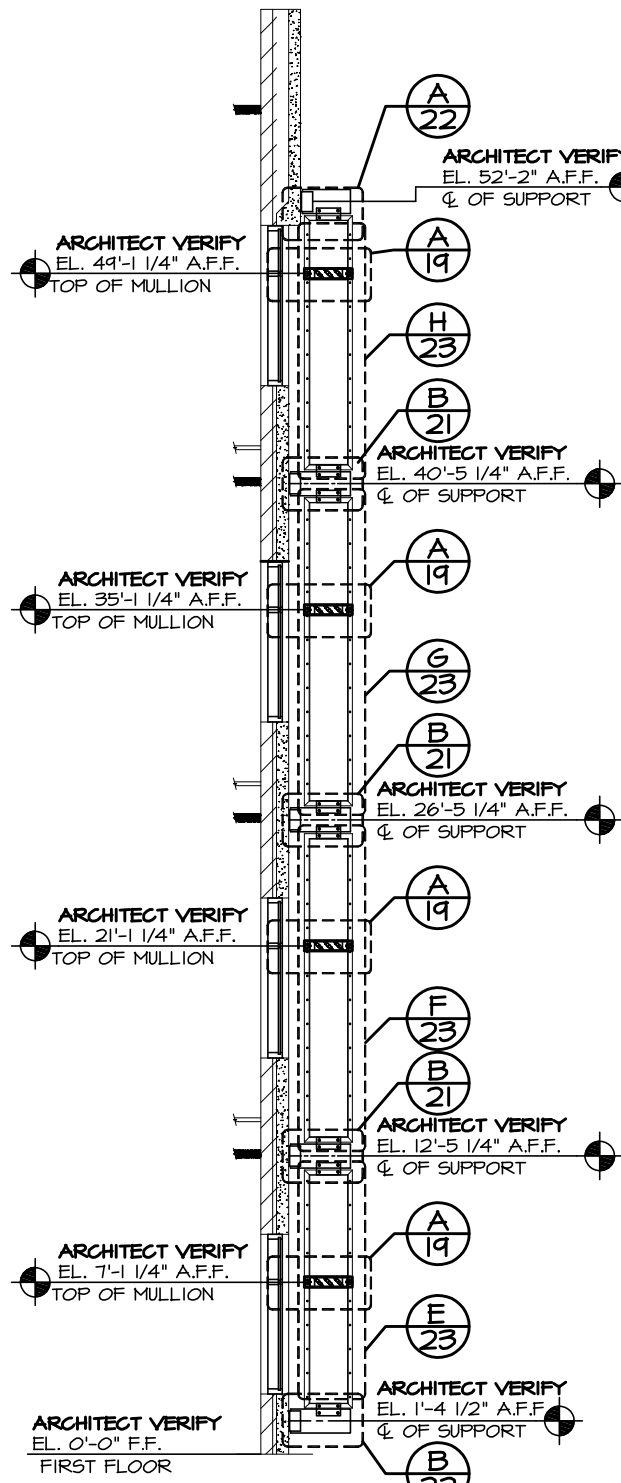
Drawing: 4020-SBI.DWG Layout: Model  
 Saved: 3/19/07 9:13am By: mfrretty



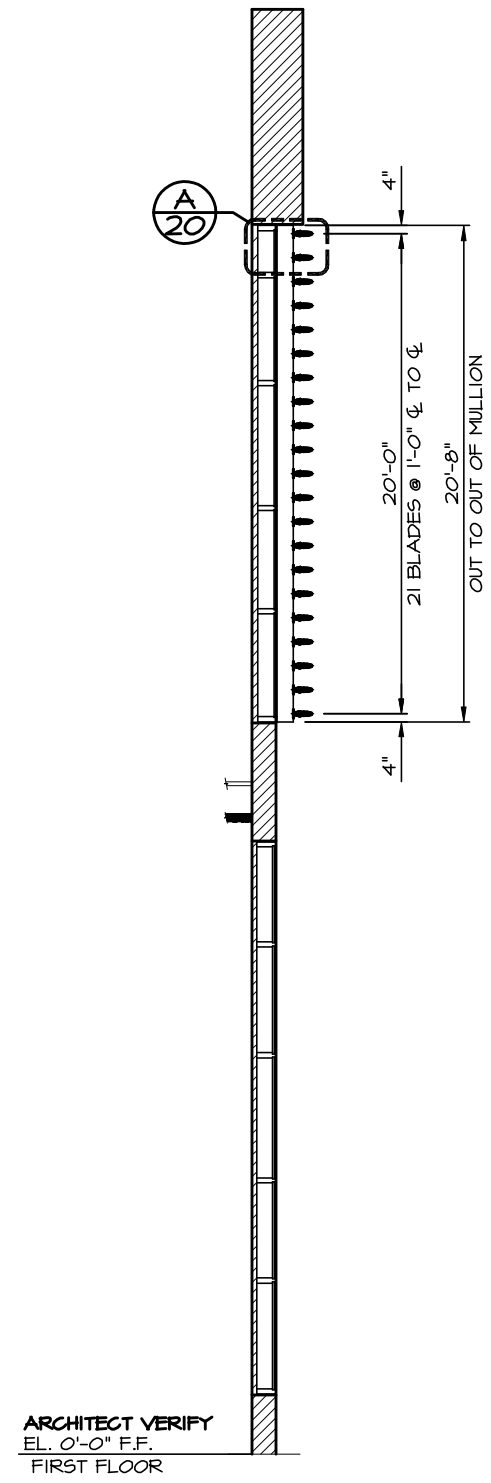
**A**  
**10** SECTION- EAST & WEST  
 SCALE: 1/8" = 1'-0"  
 TYPE C



**B**  
**10** SECTION- SOUTH  
 SCALE: 1/8" = 1'-0"  
 TYPE A



**C**  
**10** SECTION- SOUTH  
 SCALE: 1/8" = 1'-0"  
 TYPE D



**D**  
**10** SECTION-SOUTH  
 SCALE: 1/8" = 1'-0"  
 TYPE E



1477 ROSEDALE DRIVE PHONE (770) 434-2120  
 HIRAM, GA 30141 FAX (770) 434-2122

JOB NAME: GSA-FEMA OFFICE AND WAREHOUSE  
 LOCATION: WINCHESTER, VA.  
 ARCHITECT: KAPLAN- McLAUGHLIN- DIAZ, ARCHITECTS  
 CONTRACTOR: HARVEY- CLEARY BUILDERS

REVISIONS	

DRAWN: DEP

SCALE: AS SHOWN

DATE: 3/19/07

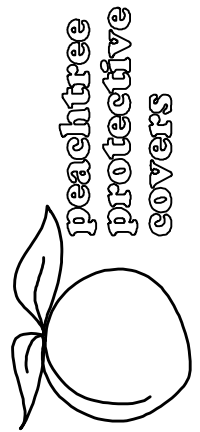
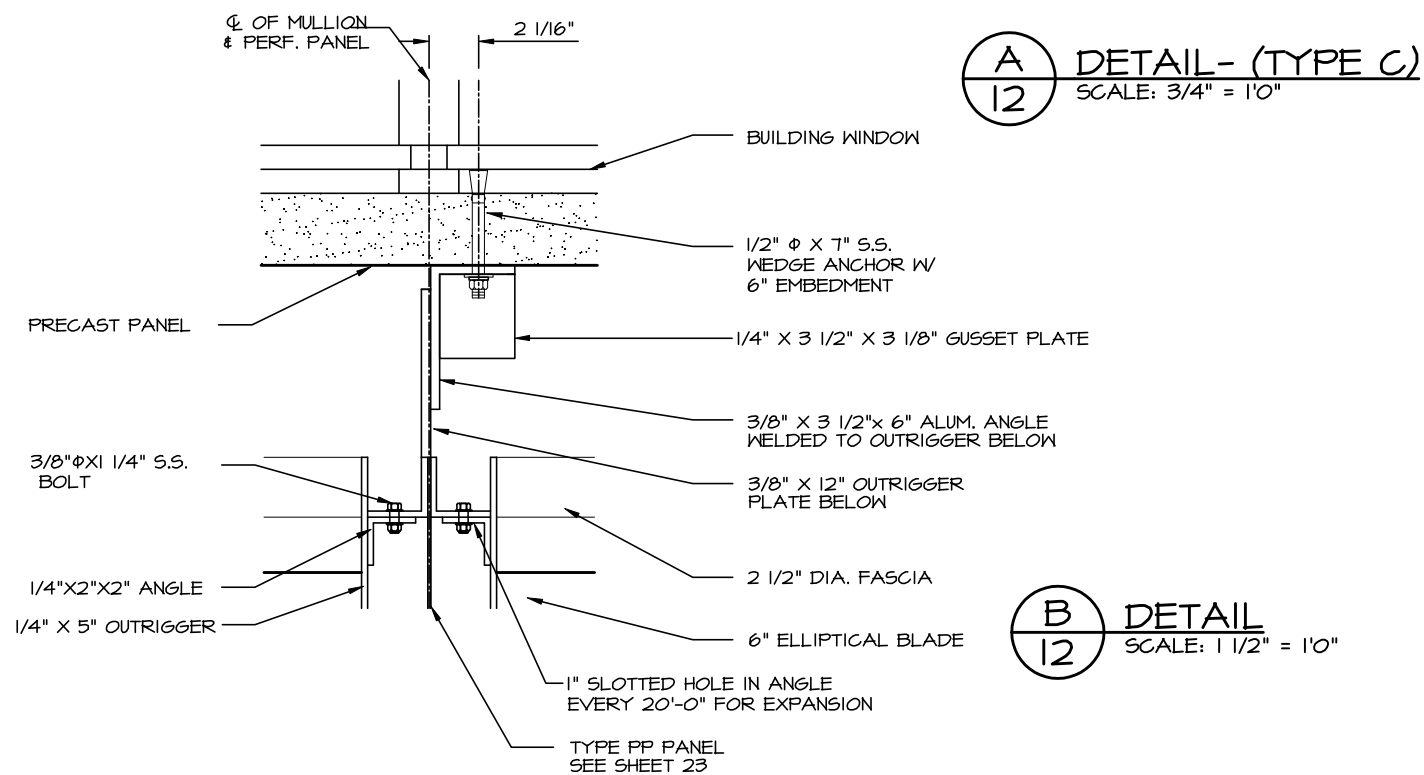
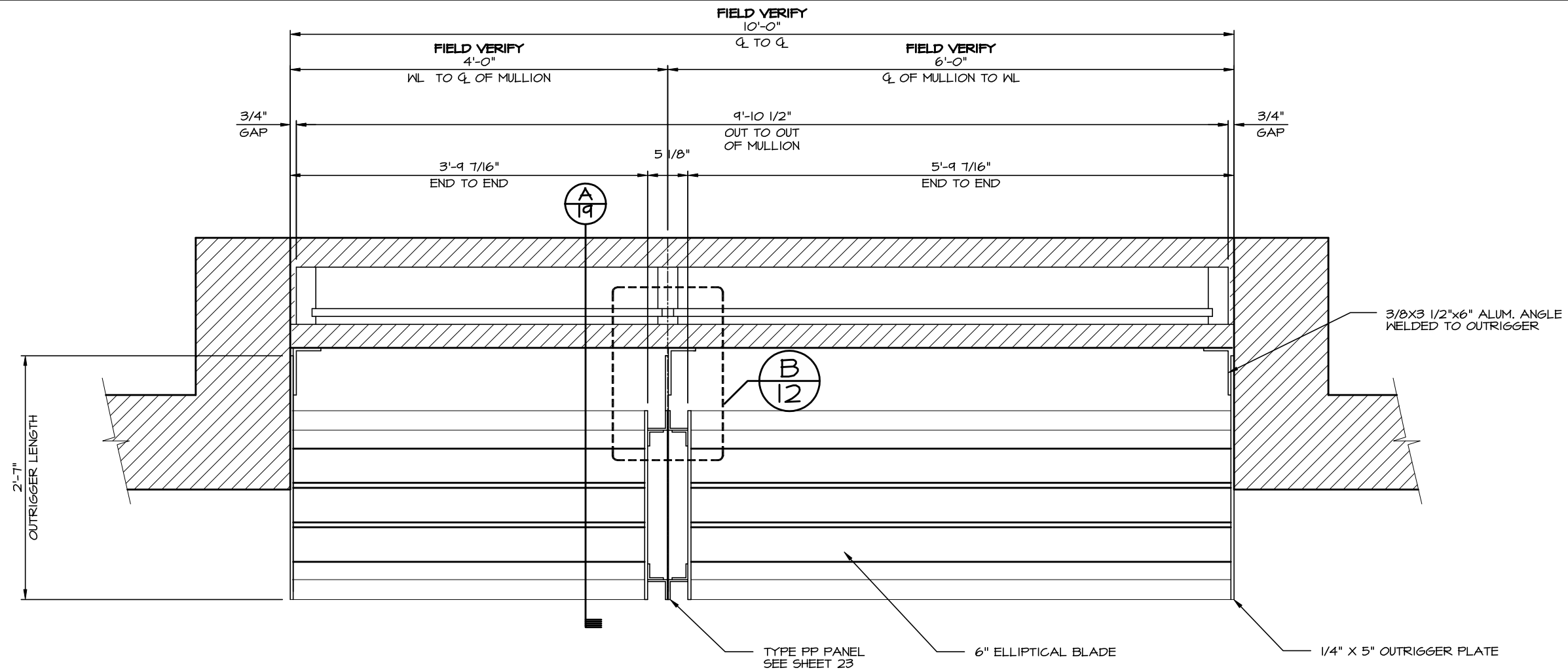
JOB #

**4020**

SHT 100F 23



Drawing: 4020-SBI.DWG Layout: Model  
 Saved: 3/19/07 4:13am By: mifretty



1477 ROSEDALE DRIVE PHONE (770) 434-2120  
 HIRAM, GA 30141 FAX (770) 434-2122

JOB NAME: GSA-FEMA OFFICE AND WAREHOUSE

LOCATION: WINCHESTER, VA.

ARCHITECT: KAPLAN- McLAUGHLIN- DIAZ, ARCHITECTS

CONTRACTOR: HARVEY- CLEARY BUILDERS

REVISIONS

3/20/07 RW	

DRAWN: DEP

SCALE: AS SHOWN

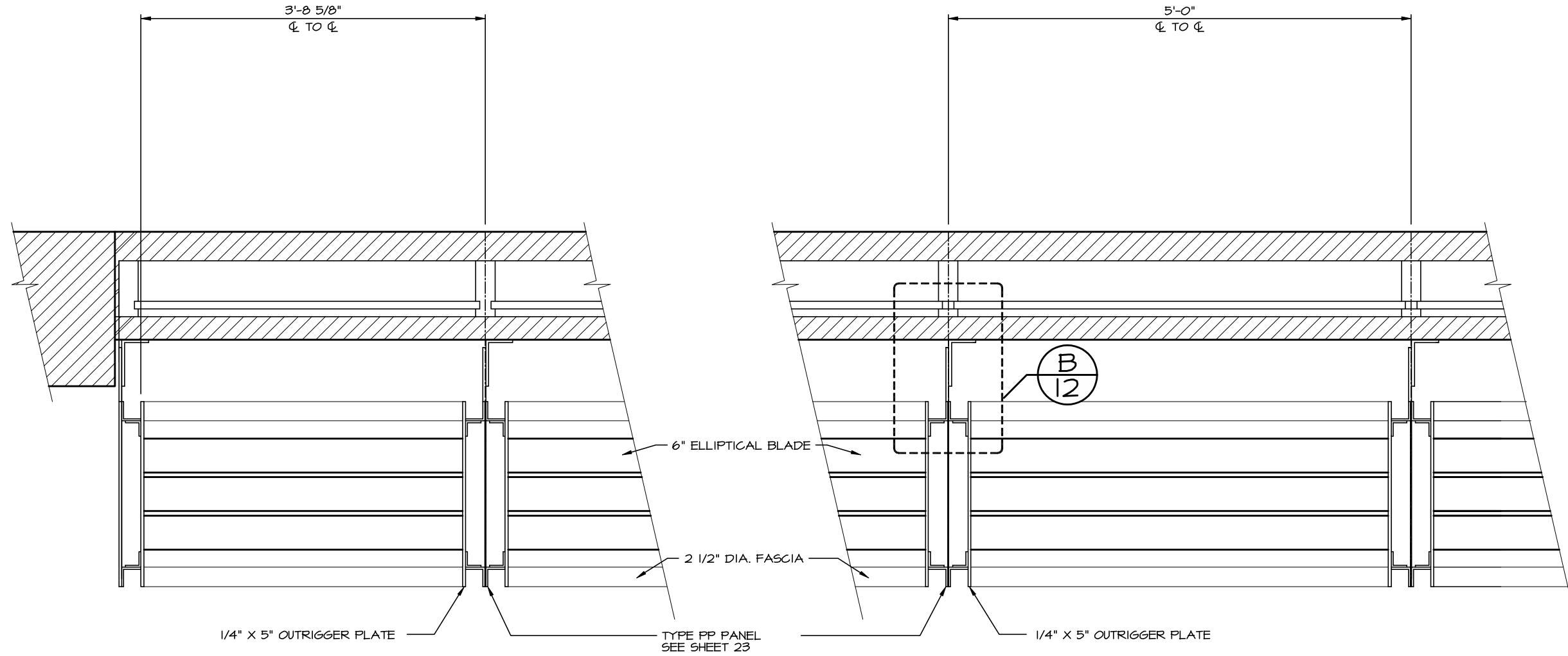
DATE: 3/19/07

JOB #

4020

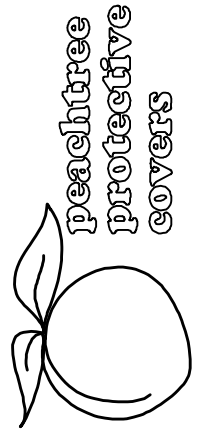
SHT 12 OF 23

Drawing: 4020-SBI.DWG Layout: Model  
 Saved: 3/19/07 4:13am By: mifretty



**A**  
 13  
 DETAIL-(TYPE D)  
 SCALE: 3/4" = 1'0"

**B**  
 13  
 DETAIL- (TYPE D)  
 SCALE: 3/4" = 1'0"



1477 ROSEDALE DRIVE PHONE (770) 434-2120  
 HIRAM, GA 30141 FAX (770) 434-2122

JOB NAME: GSA-FEMA OFFICE AND WAREHOUSE

LOCATION: WINCHESTER, VA.

ARCHITECT: KAPLAN- McLAUGHLIN- DIAZ, ARCHITECTS

CONTRACTOR: HARVEY- CLEARY BUILDERS

REVISIONS

3/20/07 RW

DRAWN: DEP

SCALE: AS SHOWN

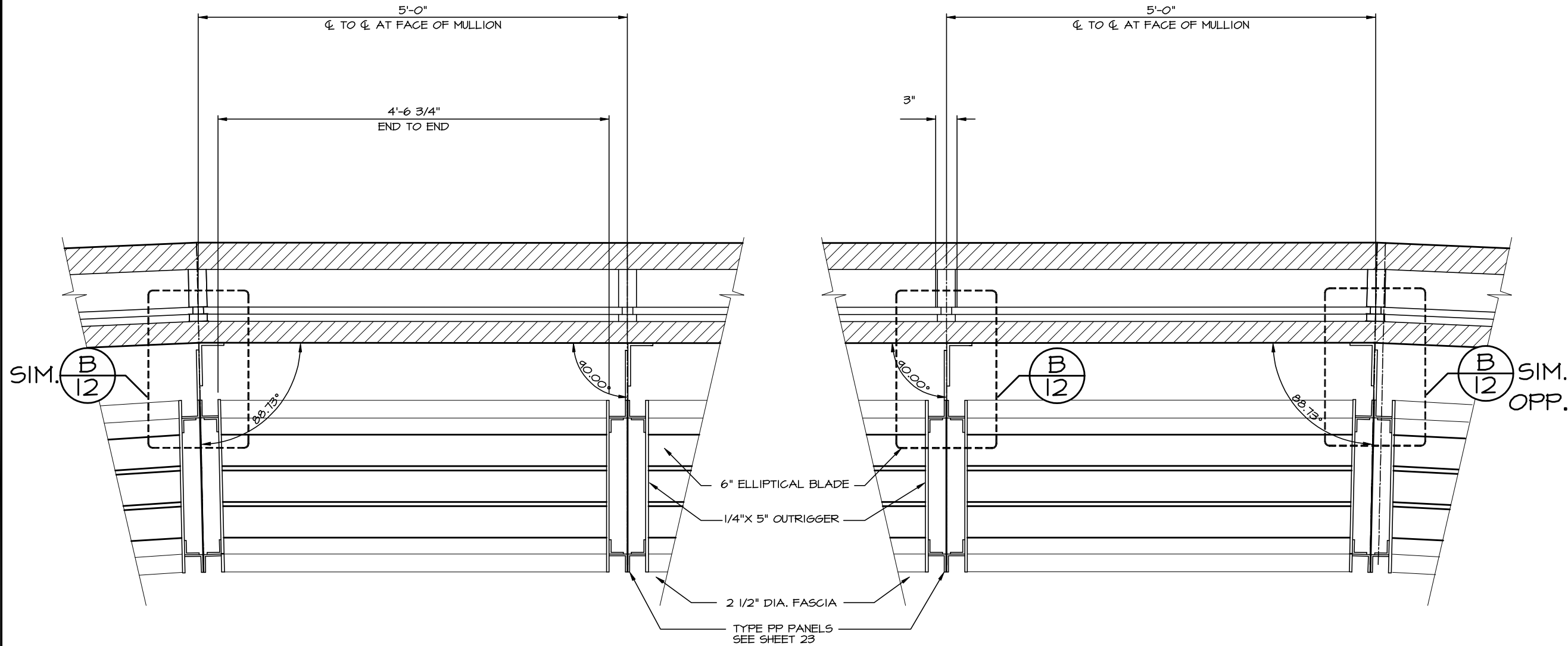
DATE: 3/19/07

JOB #

4020

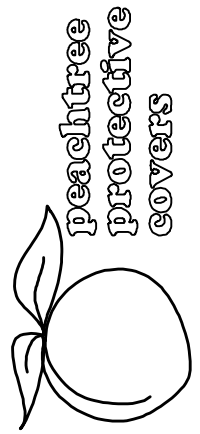
SHT 13 OF 23

Drawing: 4020-SBI.DWG Layout: Model  
 Saved: 3/19/07 4:13am By: mifretty



**A**  
 14 DETAIL- (TYPE D)  
 SCALE: 3/4" = 1'0"

**B**  
 14 DETAIL- (TYPE D)  
 SCALE: 3/4" = 1'0"



peachtree  
 protective  
 covers  
 1477 ROSEDALE DRIVE PHONE (770) 434-2120  
 HIRAM, GA 30141 FAX (770) 434-2122

JOB NAME: GSA-FEMA OFFICE AND WAREHOUSE

LOCATION: WINCHESTER, VA.

ARCHITECT: KAPLAN- McLAUGHLIN- DIAZ, ARCHITECTS

CONTRACTOR: HARVEY- CLEARY BUILDERS

REVISIONS

3/20/07 RW	

DRAWN: DEP

SCALE: AS SHOWN

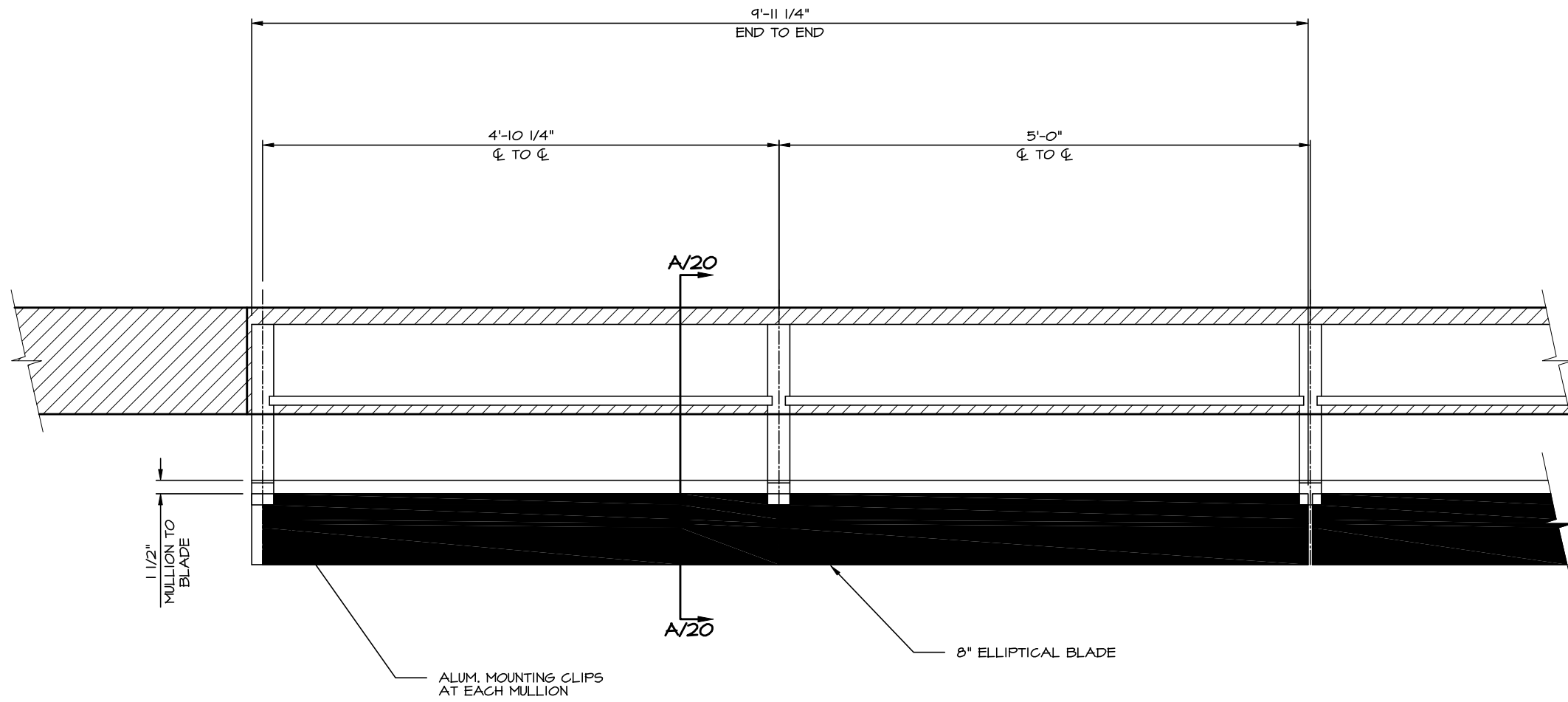
DATE: 3/19/07

JOB #

4020

SHT 14 OF 23

Drawing: 4020-SBI.DWG Layout: Model  
 Saved: 3/19/07 9:13am By: mifretty



**A**  
**15** **DETAIL- (TYPE E)**  
 SCALE: 3/4" = 1'0"



1477 ROSEDALE DRIVE PHONE (770) 434-2120  
 HIRAM, GA 30141 FAX (770) 434-2122

JOB NAME: GSA-FEMA OFFICE AND WAREHOUSE  
 LOCATION: WINCHESTER, VA.  
 ARCHITECT: KAPLAN- McLAUGHLIN- DIAZ, ARCHITECTS  
 CONTRACTOR: HARVEY- CLEARY BUILDERS

REVISIONS


DRAWN: DEP

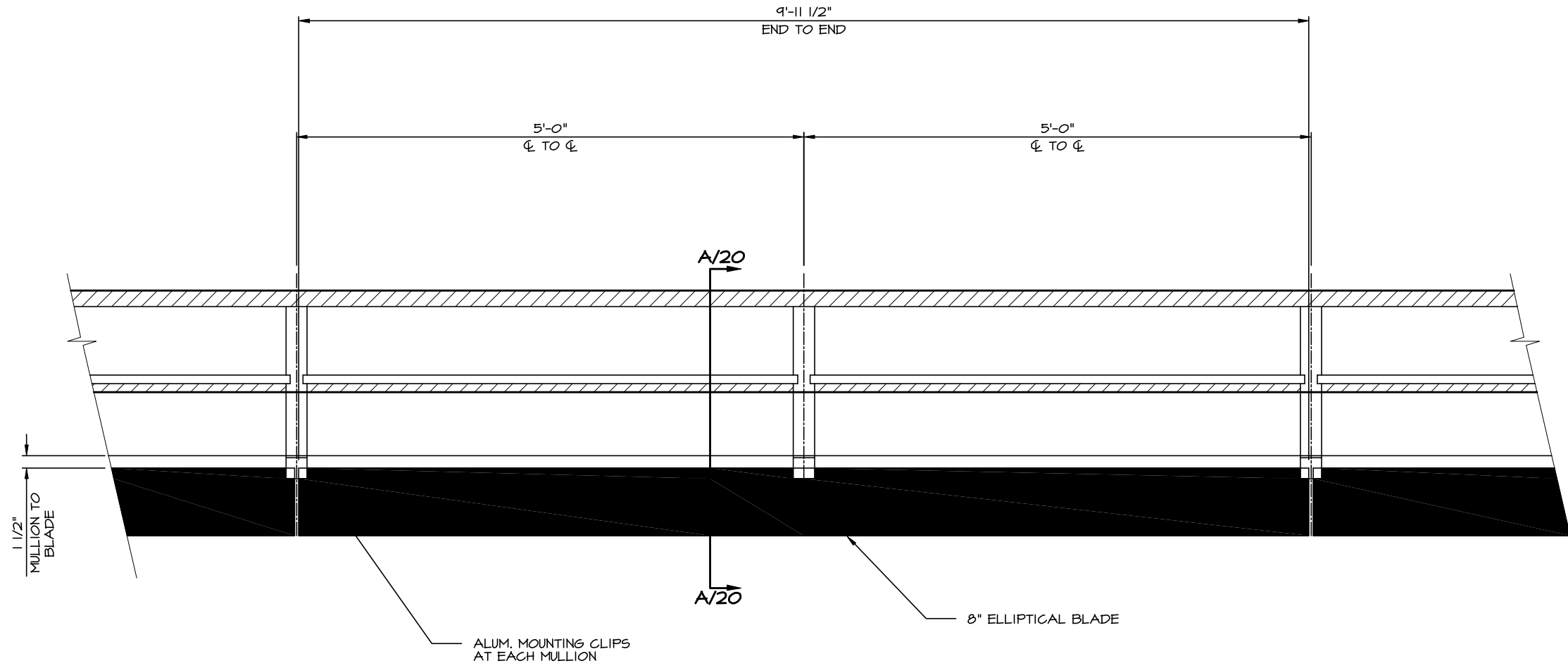
SCALE: AS SHOWN

DATE: 3/19/07

JOB #  
**4020**  
 SHT 15 OF 23



Drawing: 4020-SBL.DWG Layout: Model  
 Saved: 3/19/07 9:13am By: mifretty



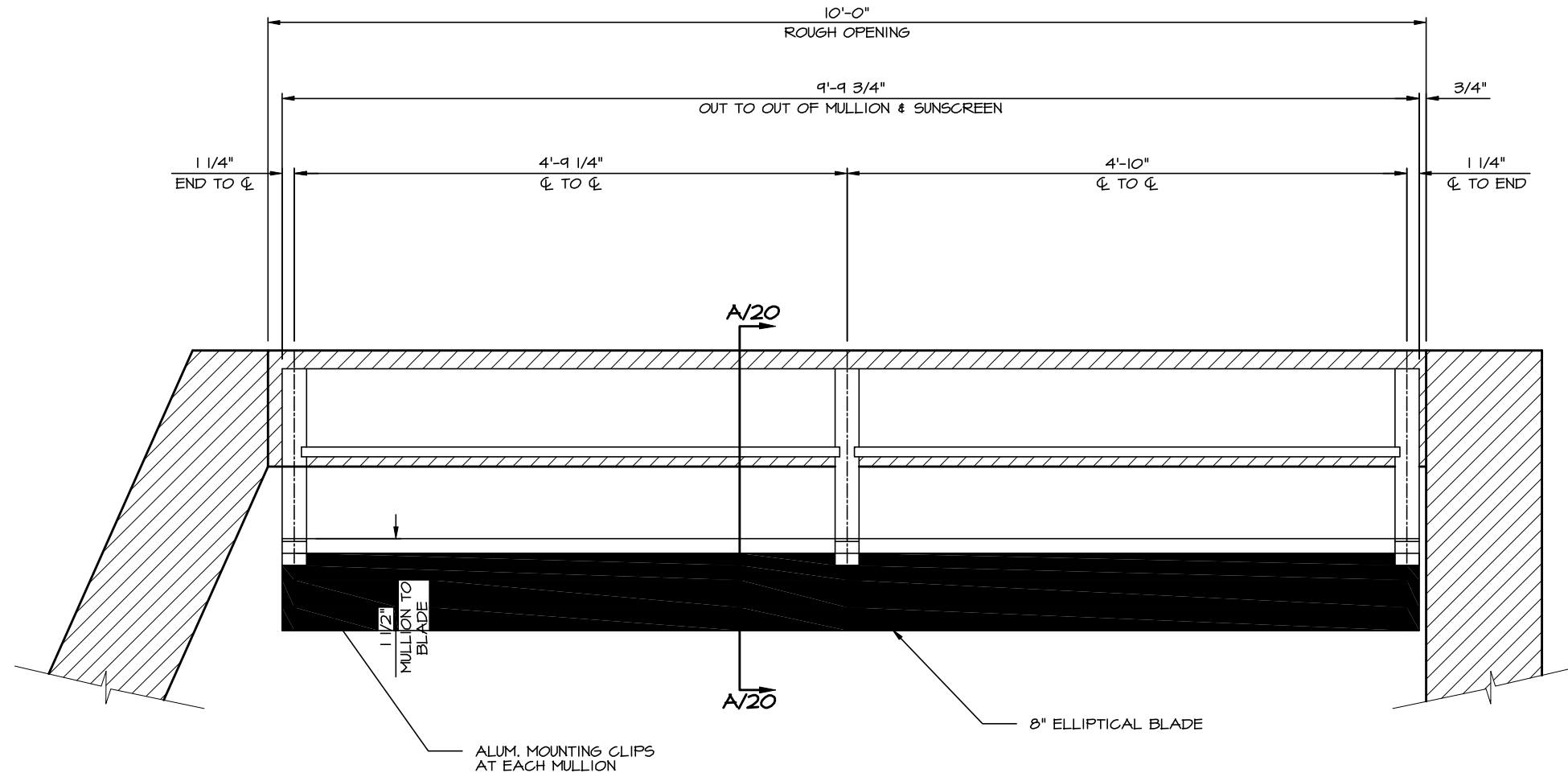
**A**  
 16 **DETAIL- (TYPE E)**  
 SCALE: 3/4" = 1'0"



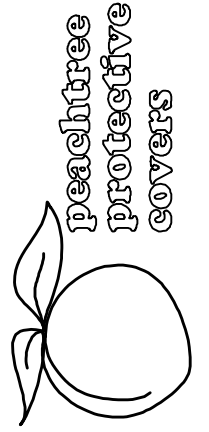
**JOB NAME:** GSA-FEMA OFFICE AND WAREHOUSE  
**LOCATION:** WINCHESTER, VA.  
**ARCHITECT:** KAPLAN- McLAUGHLIN- DIAZ, ARCHITECTS  
**CONTRACTOR:** HARVEY- CLEARY BUILDERS

REVISIONS	
DRAWN: DEP	
SCALE: AS SHOWN	
DATE: 3/19/07	
JOB #	
<b>4020</b>	
SHT 16 OF 23	

Drawing: 4020-SBI.DWG Layout: Model  
 Saved: 3/19/07 9:13am By: mifretty



**A**  
 17 **DETAIL- (TYPE F)**  
 SCALE: 3/4" = 1'0"



1477 ROSEDALE DRIVE PHONE (770) 434-2120  
 HIRAM, GA 30141 FAX (770) 434-2122

JOB NAME: GSA-FEMA OFFICE AND WAREHOUSE

LOCATION: WINCHESTER, VA.

ARCHITECT: KAPLAN- McLAUGHLIN- DIAZ, ARCHITECTS

CONTRACTOR: HARVEY- CLEARY BUILDERS

REVISIONS

DRAWN: DEP

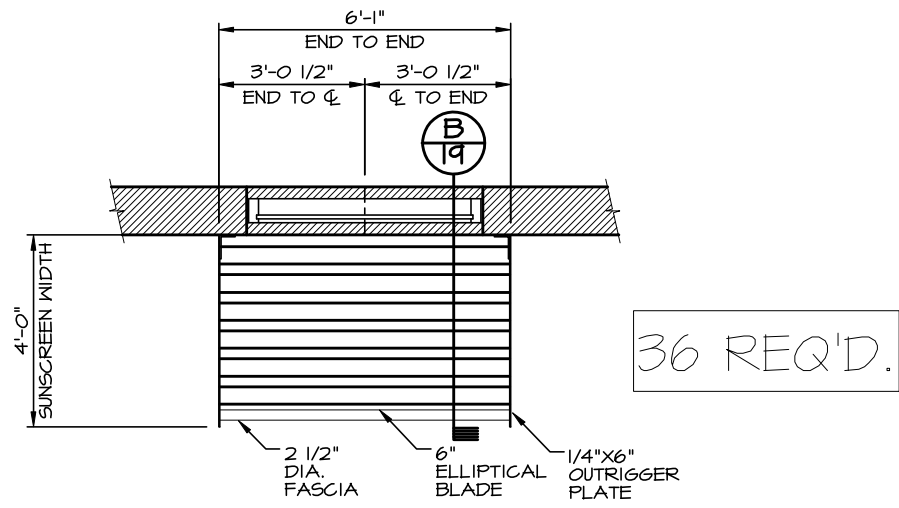
SCALE: AS SHOWN

DATE: 3/19/07

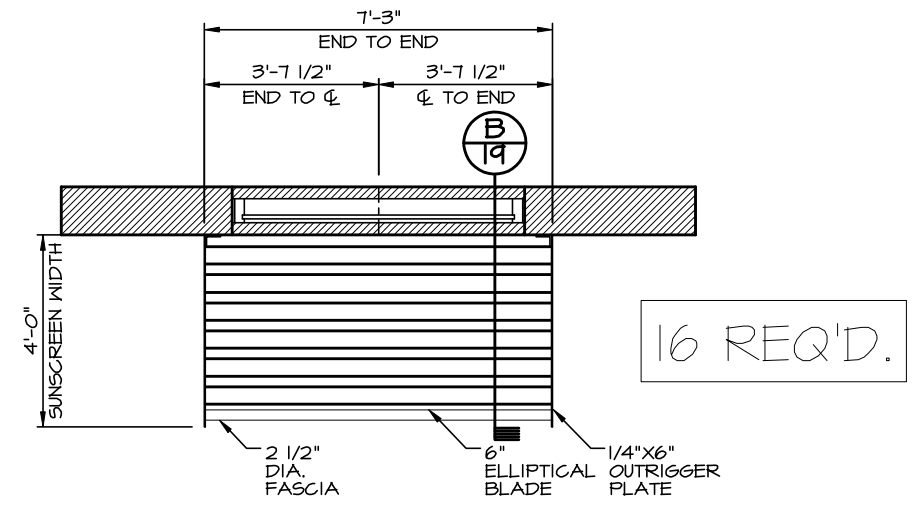
JOB #

**4020**

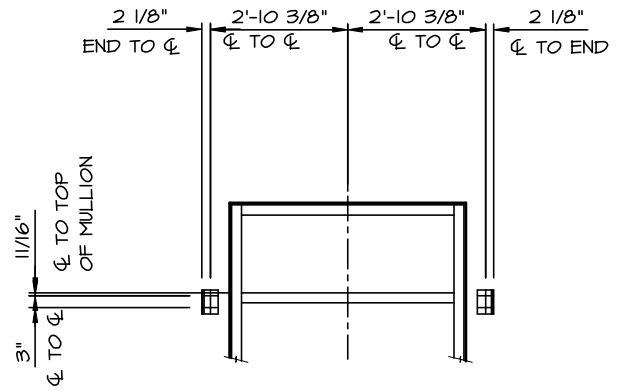
SHT 17 OF 23



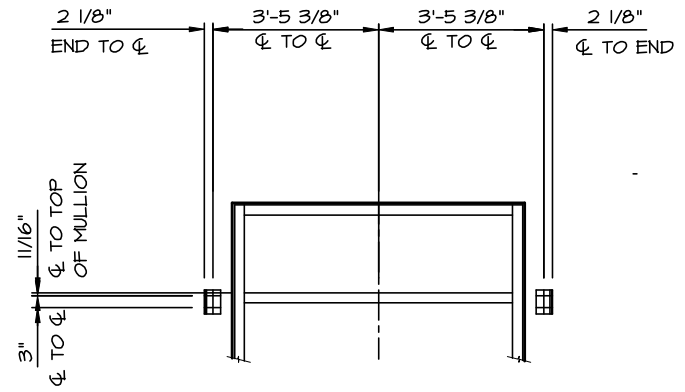
**SUNSCREEN PLAN VIEW**  
SCALE: 1/4"=1'-0" SUNSCREEN TYPE B



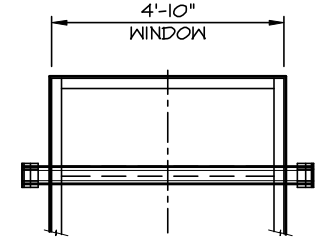
**SUNSCREEN PLAN VIEW**  
SCALE: 1/4"=1'-0" SUNSCREEN TYPE A



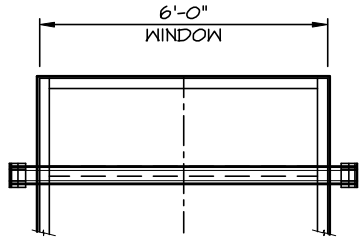
**BOLT SETTING PLAN**  
SCALE: 1/4"=1'-0" SUNSCREEN TYPE B



**BOLT SETTING PLAN**  
SCALE: 1/4"=1'-0" SUNSCREEN TYPE A



**ELEVATION**  
SCALE: 1/4"=1'-0" SUNSCREEN TYPE B



**ELEVATION**  
SCALE: 1/4"=1'-0" SUNSCREEN TYPE A

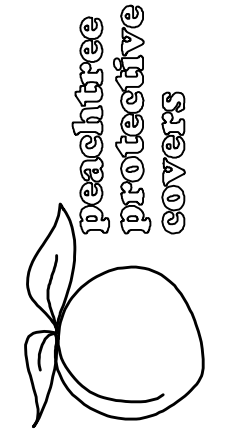


Drawing: 4020-SBI.DWG Layout: Model  
Saved: 3/19/07 4:13am By: mifretty



JOB NAME: GSA-FEMA OFFICE AND WAREHOUSE  
LOCATION: WINCHESTER, VA.  
ARCHITECT: KAPLAN- McLAUGHLIN- DIAZ, ARCHITECTS  
CONTRACTOR: HARVEY- CLEARY BUILDERS

REVISIONS	
6/18/07 DEP	
DRAWN: DEP	
SCALE: AS SHOWN	
DATE: 3/19/07	
JOB #	
4020	
SHT 18 OF 23	

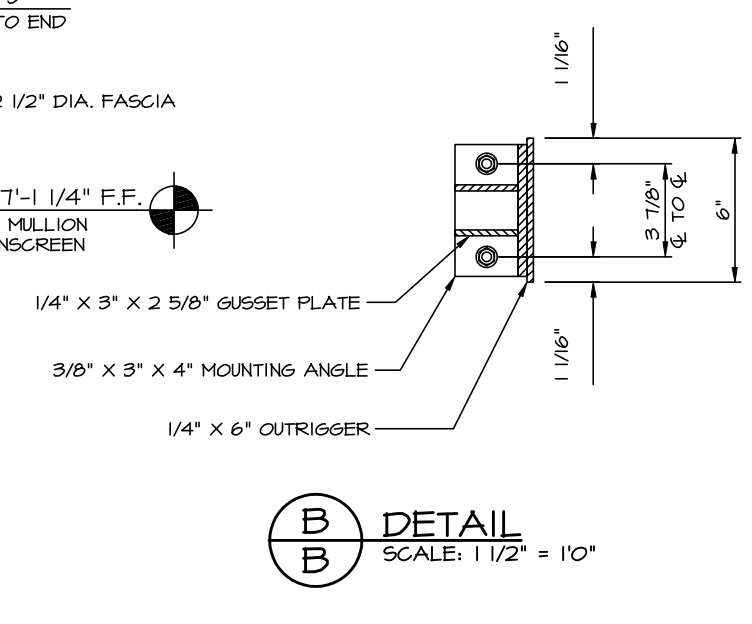
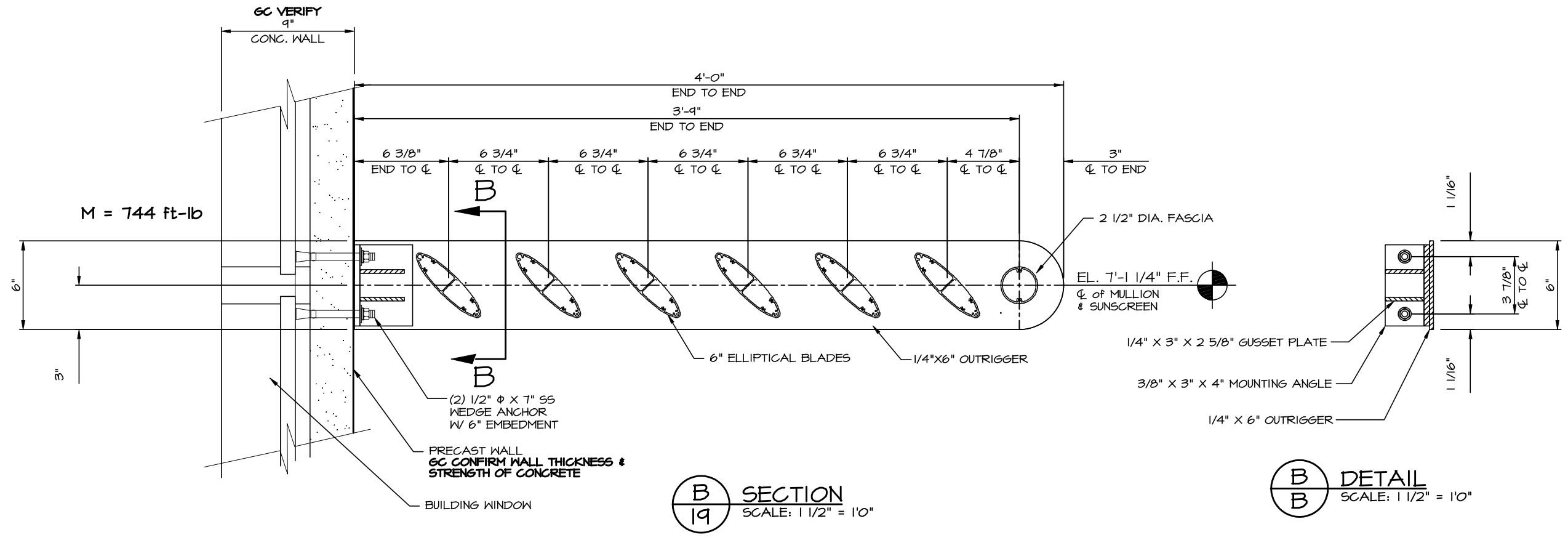
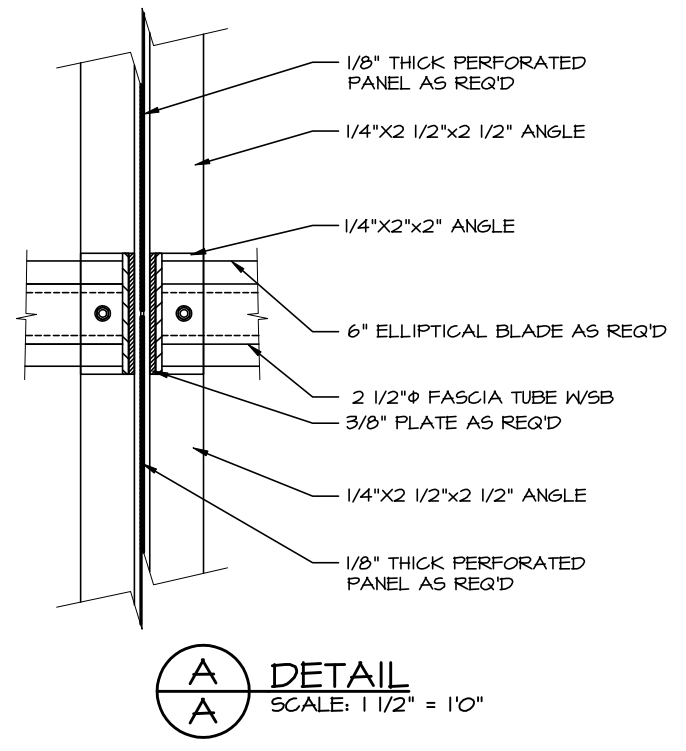
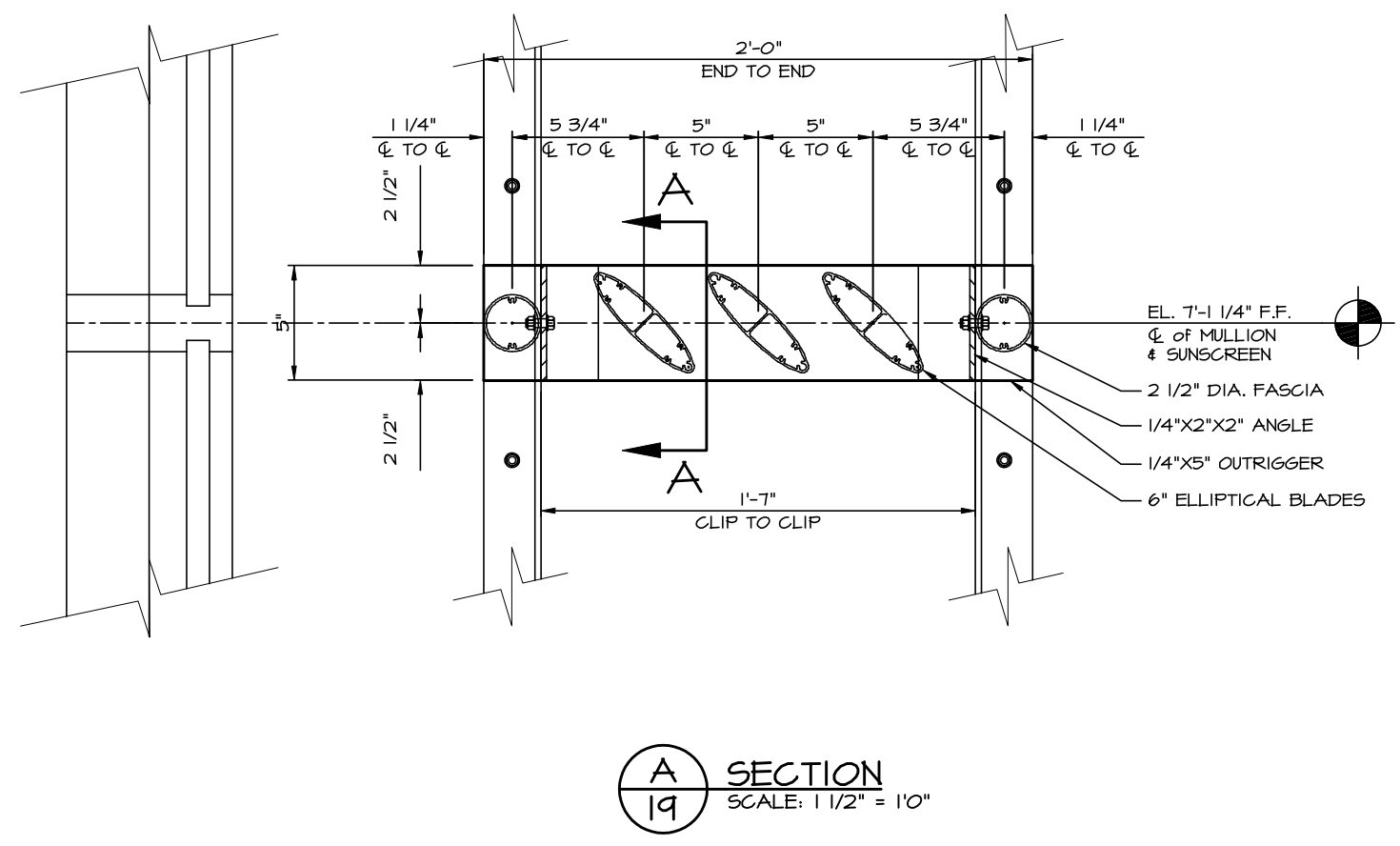


1477 ROSEDALE DRIVE PHONE (770) 434-2120  
HIRAM, GA 30141 FAX (770) 434-2122

JOB NAME: GSA-FEMA OFFICE AND WAREHOUSE  
LOCATION: WINCHESTER, VA.  
ARCHITECT: KAPLAN- McLAUGHLIN- DIAZ, ARCHITECTS  
CONTRACTOR: HARVEY- CLEARY BUILDERS

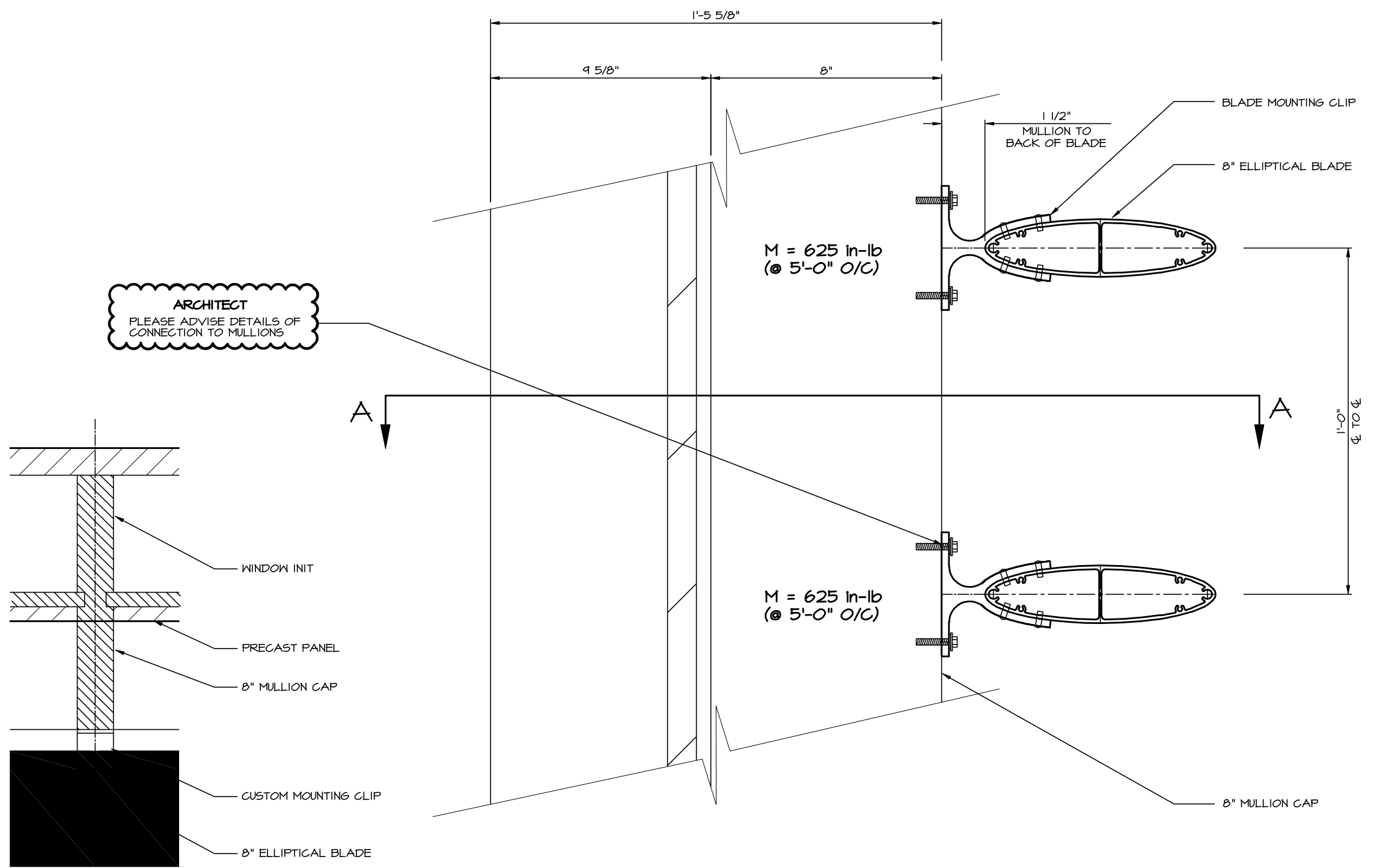
REVISIONS	

DRAWN: DEP  
SCALE: AS SHOWN  
DATE: 3/19/07  
JOB #  
**4020**  
SHT 19 OF 23



Drawing: 4020-SBL.DWG Layout: Model  
Saved: 3/19/07 4:13am By: mifretty

Drawing: 4020-SBL.DWG Layout: Model  
 Saved: 3/19/07 4:13am By: mifretty



**ARCHITECT**  
 PLEASE ADVISE DETAILS OF  
 CONNECTION TO MULLIONS

A
A
**DETAIL**  
 SCALE: 3" = 1'0"

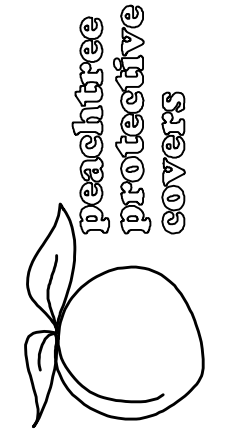
A
20
**SECTION**  
 SCALE: 3" = 1'0"



1477 ROSEDALE DRIVE PHONE (770) 434-2120  
 HIRAM, GA 30141 FAX (770) 434-2122

**JOB NAME:** GSA-FEMA OFFICE AND WAREHOUSE  
**LOCATION:** WINCHESTER, VA.  
**ARCHITECT:** KAPLAN- McLAUGHLIN- DIAZ, ARCHITECTS  
**CONTRACTOR:** HARVEY- CLEARY BUILDERS

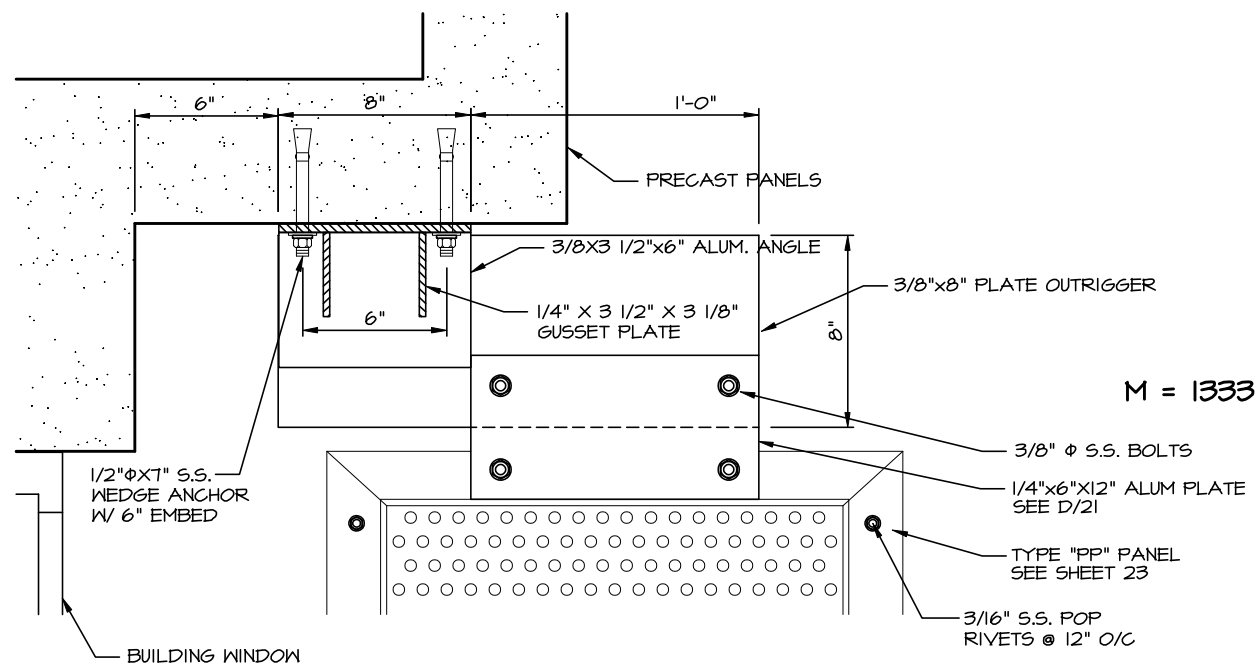
REVISIONS	
DRAWN: DEP	
SCALE: AS SHOWN	
DATE: 3/19/07	
JOB #	
<b>4020</b>	
SHT 20 OF 23	



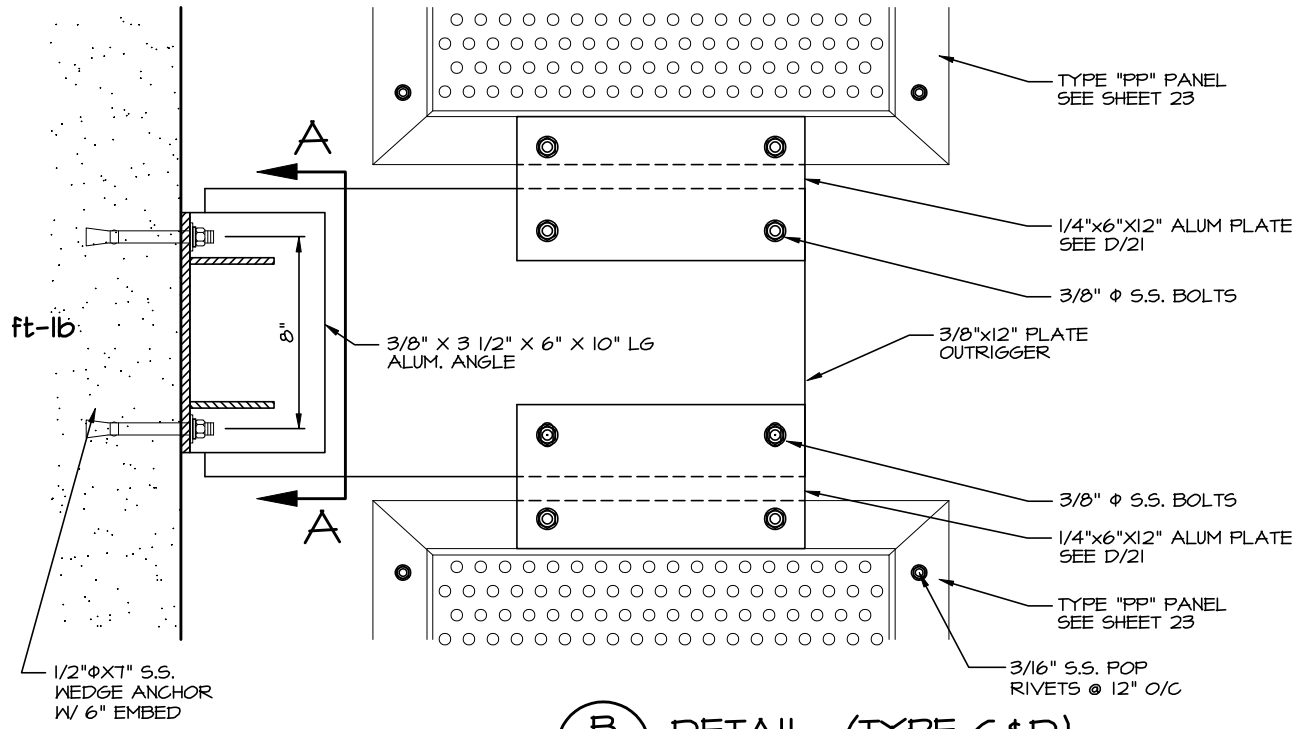
1477 ROSEDALE DRIVE PHONE (770) 434-2120  
HIRAM, GA 30141 FAX (770) 434-2122

JOB NAME: GSA-FEMA OFFICE AND WAREHOUSE  
LOCATION: WINCHESTER, VA.  
ARCHITECT: KAPLAN- McLAUGHLIN- DIAZ, ARCHITECTS  
CONTRACTOR: HARVEY- CLEARY BUILDERS

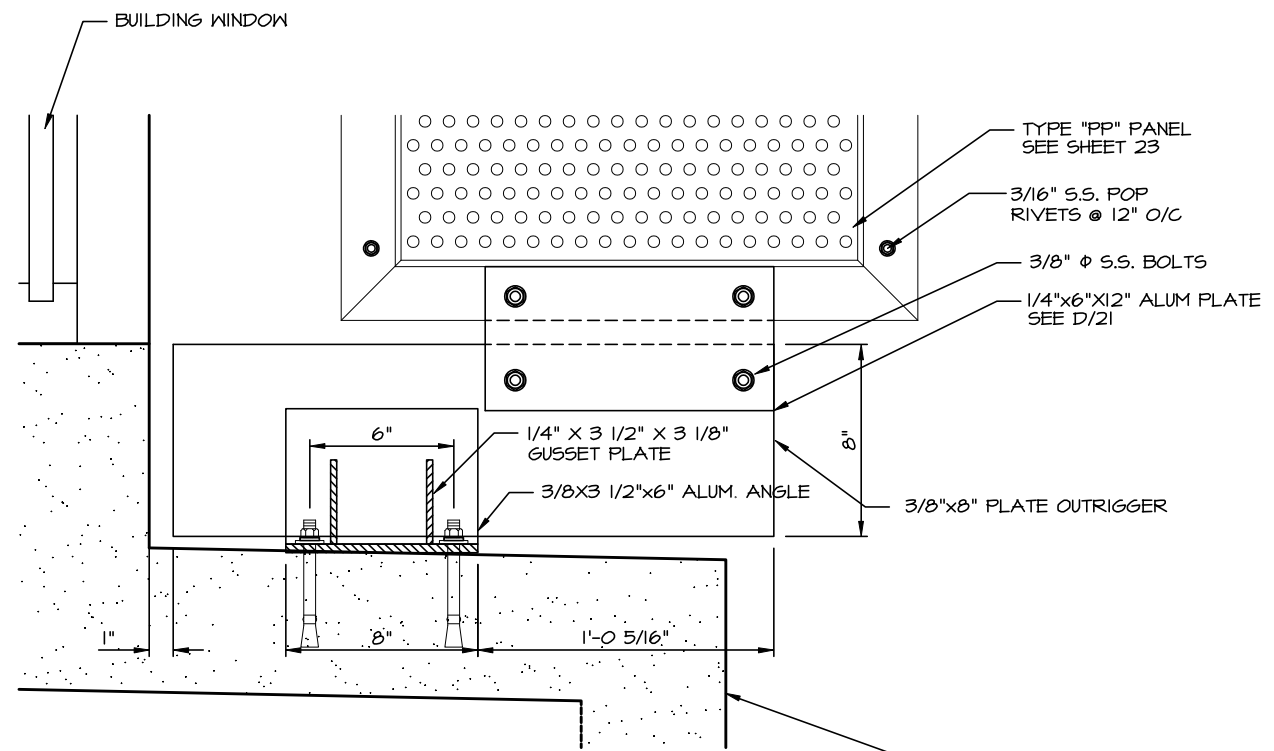
REVISIONS	
6/18/07 DEP	
DRAWN: DEP	
SCALE: AS SHOWN	
DATE: 3/19/07	
JOB #	
4020	
SHT 21 OF 23	



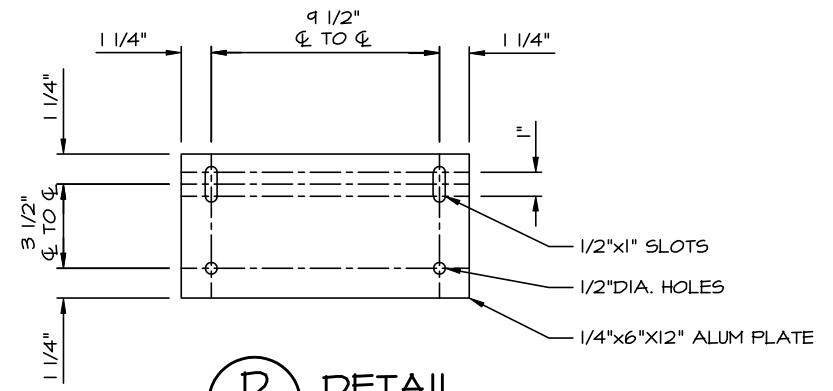
**A** 21 **DETAIL- (TYPE C)**  
SCALE: 1 1/2" = 1'0"



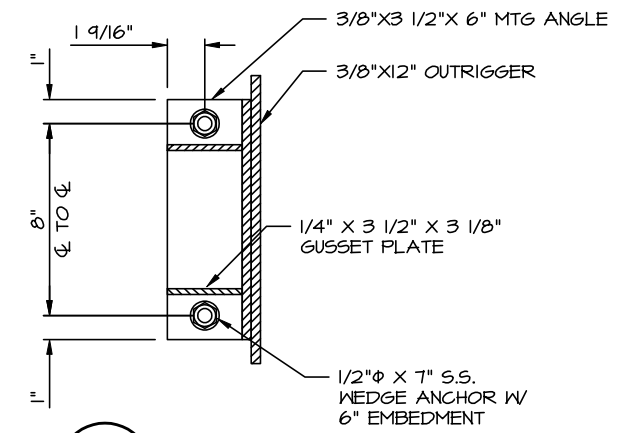
**B** 21 **DETAIL- (TYPE C & D)**  
SCALE: 1 1/2" = 1'0"



**C** 21 **DETAIL- (TYPE C)**  
SCALE: 1 1/2" = 1'0"



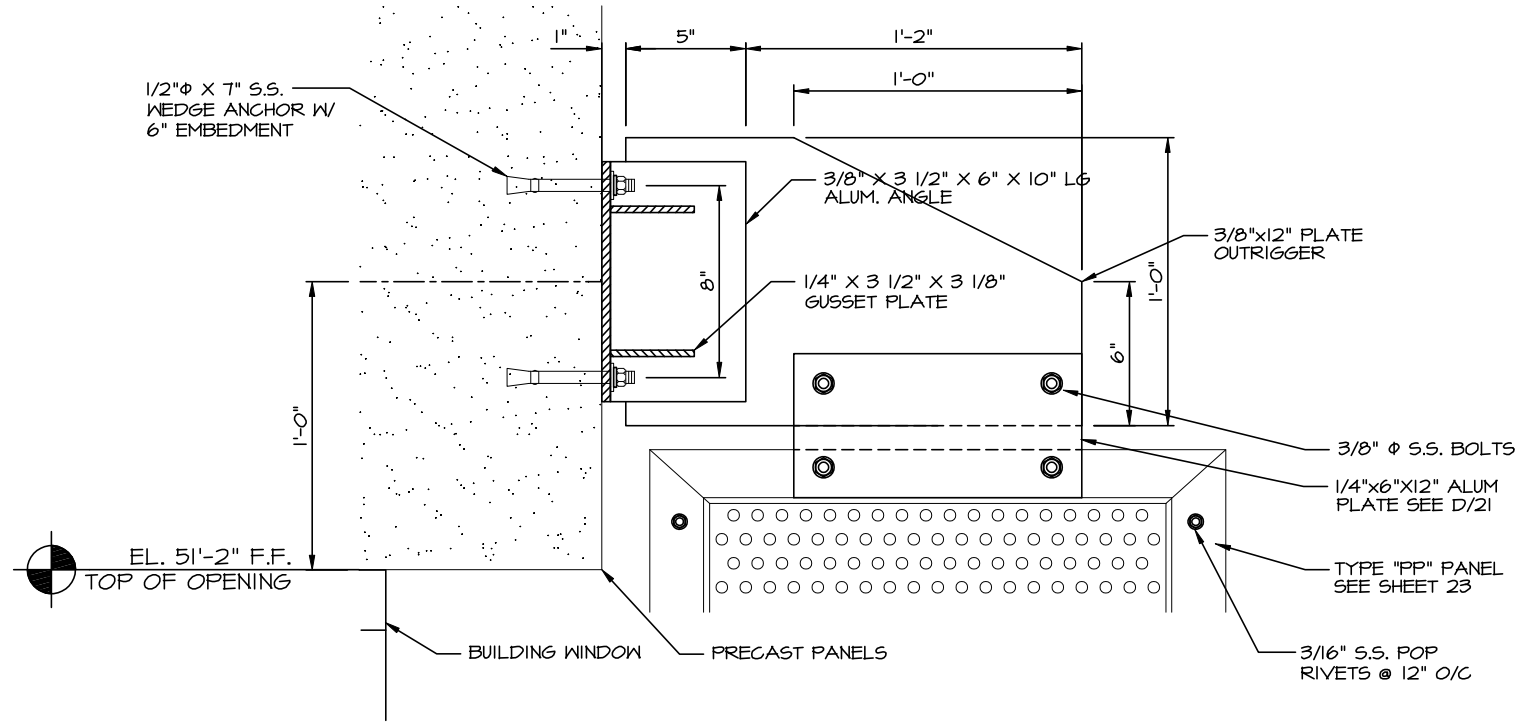
**D** 21 **DETAIL**  
SCALE: 1 1/2" = 1'0"



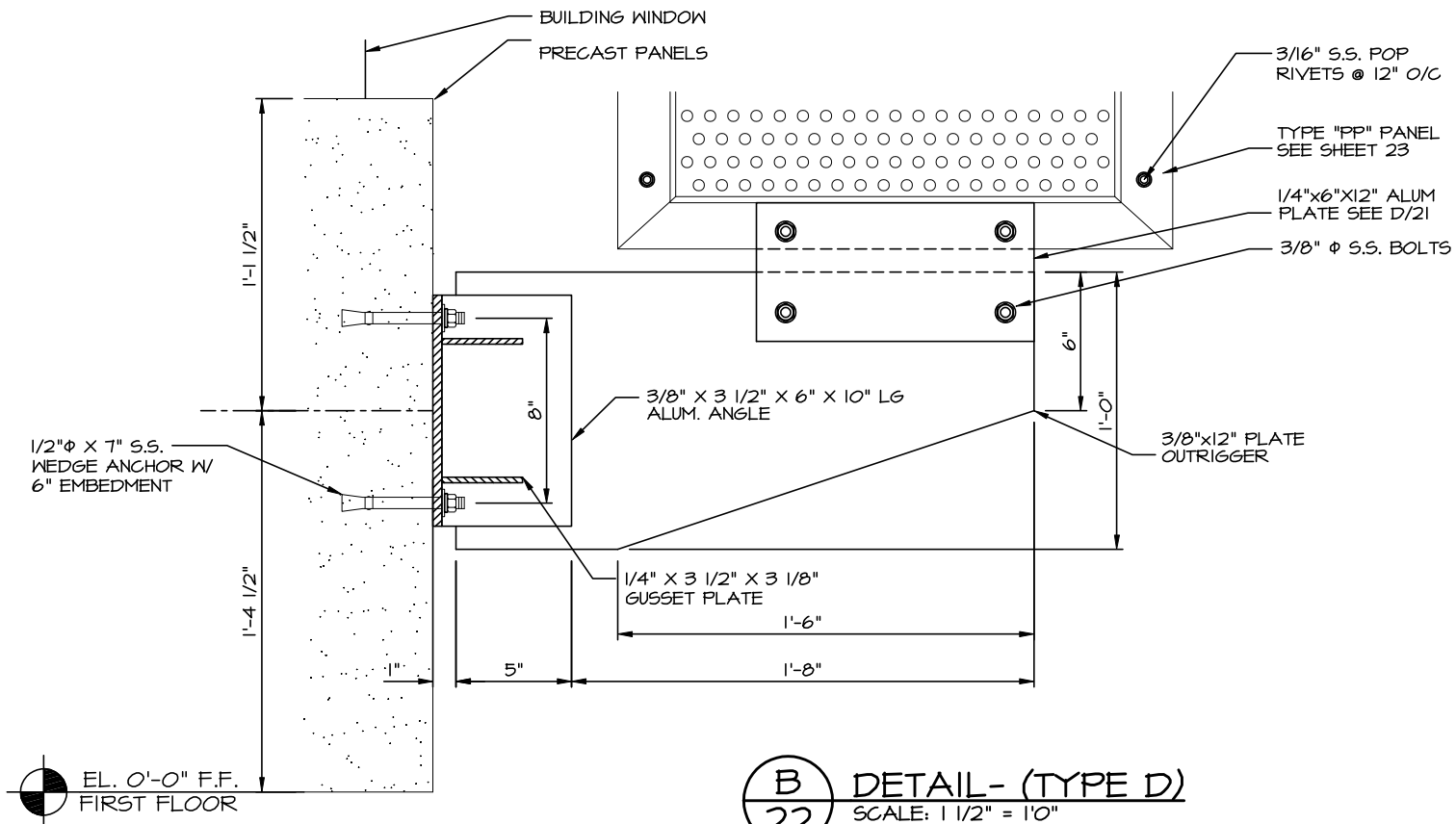
**A** 21 **DETAIL**  
SCALE: 1 1/2" = 1'0"

Drawing: 4020-SB1.DWG Layout: Model  
Saved: 3/19/07 4:13am By: mifretty

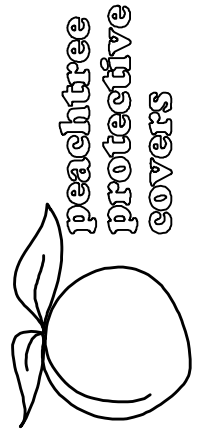
Drawing: 4020-SBI.DWG Layout: Model  
 Saved: 3/19/07 4:13am By: mifretty



**A** DETAIL - (TYPE D)  
 22 SCALE: 1 1/2" = 10"



**B** DETAIL - (TYPE D)  
 22 SCALE: 1 1/2" = 10"



1477 ROSEDALE DRIVE PHONE (770) 434-2120  
 HIRAM, GA 30141 FAX (770) 434-2122

JOB NAME: GSA-FEMA OFFICE AND WAREHOUSE

LOCATION: WINCHESTER, VA.

ARCHITECT: KAPLAN- McLAUGHLIN- DIAZ, ARCHITECTS

CONTRACTOR: HARVEY- CLEARY BUILDERS

REVISIONS

6/18/07 DEP

DRAWN: DEP

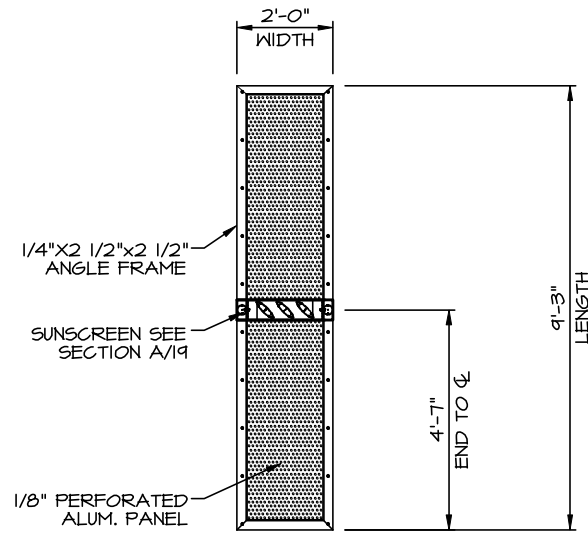
SCALE: AS SHOWN

DATE: 3/19/07

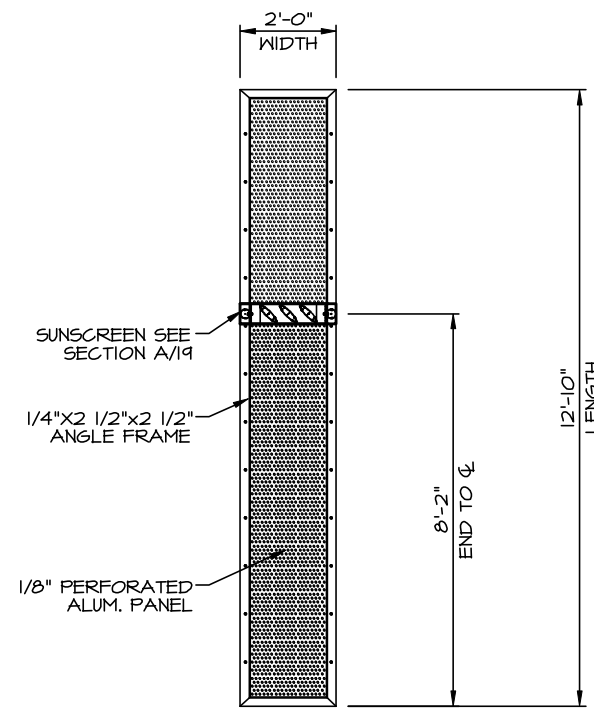
JOB #

4020

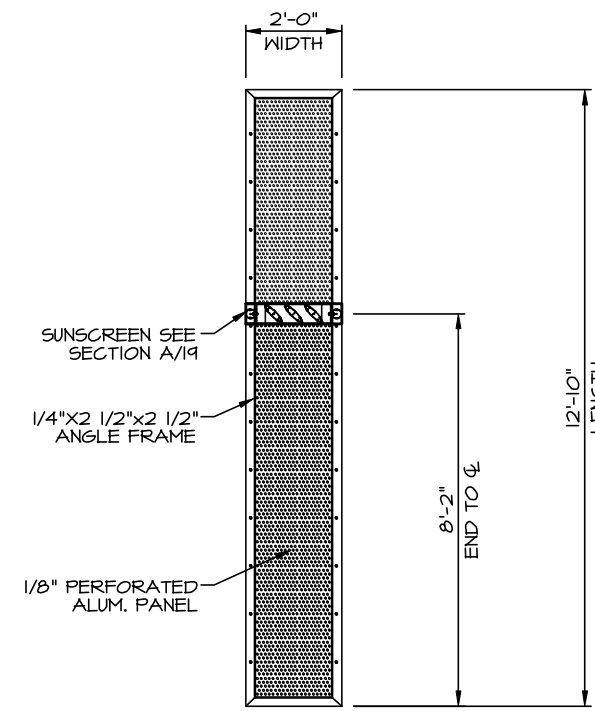
SHT 22 OF 23



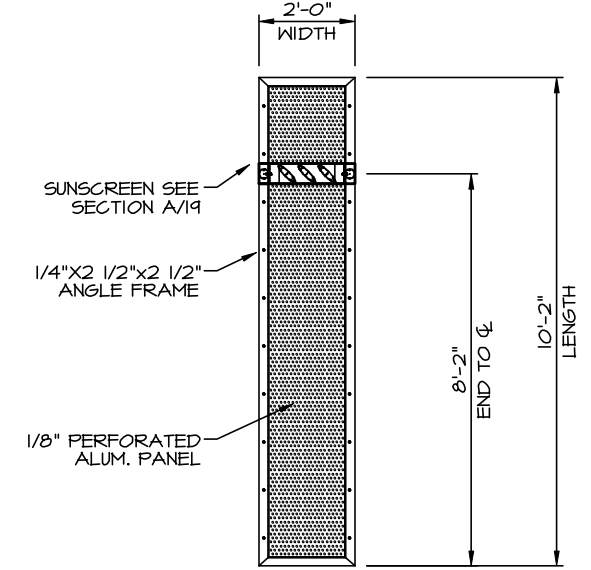
**A**  
23 PP-1A-1, PP-1C-1  
SCALE: 1/4" = 1'0"



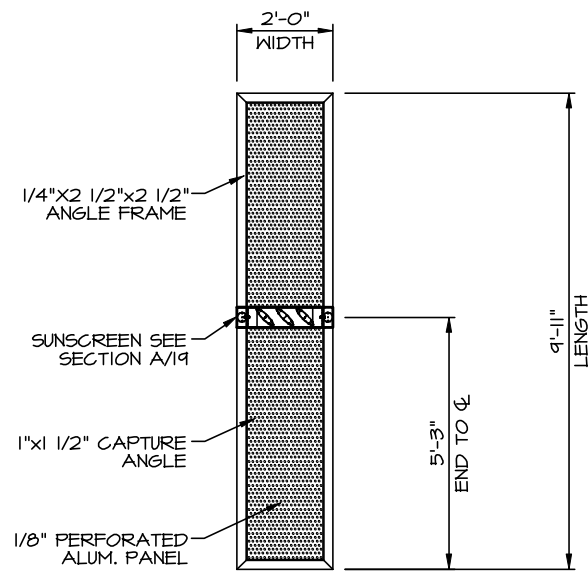
**B**  
23 PP-2A-1, PP-2C-1  
SCALE: 1/4" = 1'0"



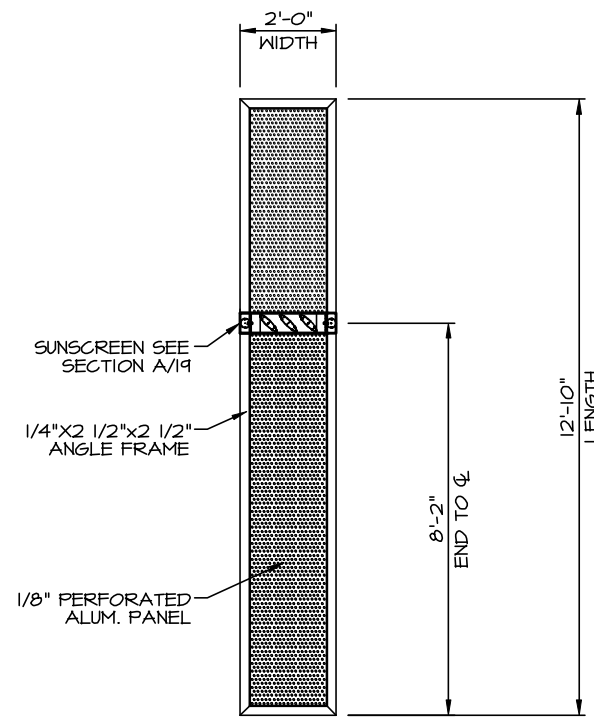
**C**  
23 PP-3A-1, PP-3C-1  
SCALE: 1/4" = 1'0"



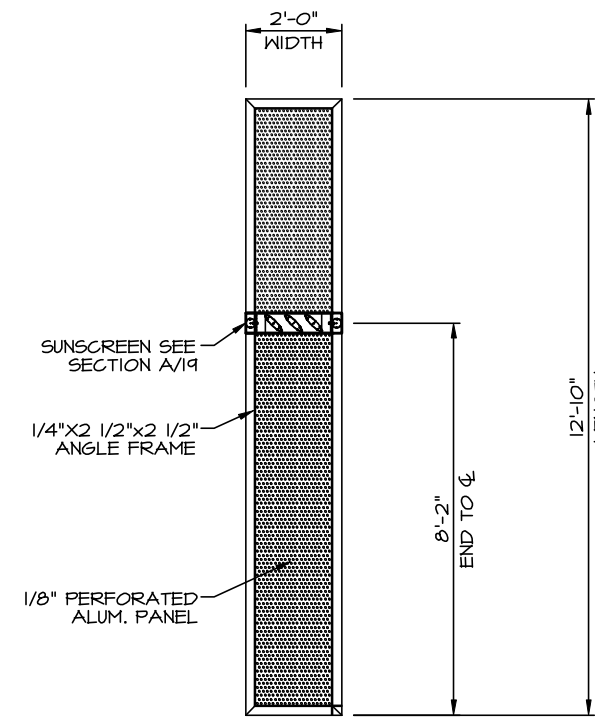
**D**  
23 PP-4A-1, PP-4C-1  
SCALE: 1/4" = 1'0"



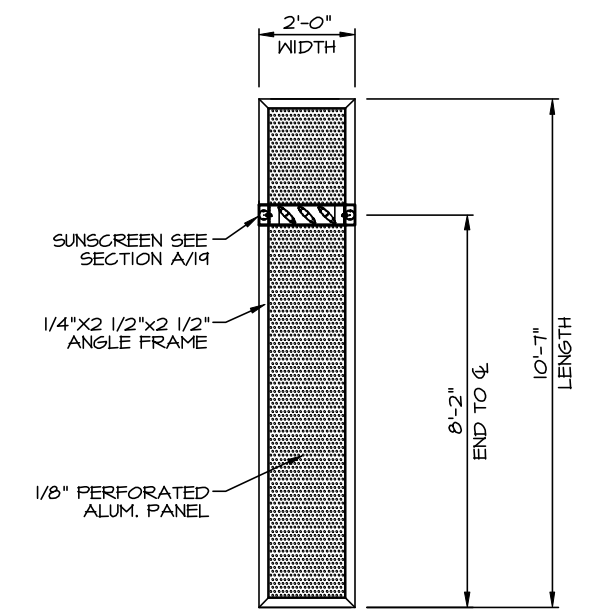
**E**  
23 PP-1B-1 THRU 29  
SCALE: 1/4" = 1'0"



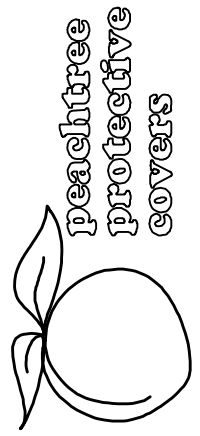
**F**  
23 PP-2B-1 THRU 29  
SCALE: 1/4" = 1'0"



**G**  
23 PP-3B-1 THRU 29  
SCALE: 1/4" = 1'0"



**H**  
23 PP-4B-1 THRU 29  
SCALE: 1/4" = 1'0"



peachtree  
protective  
covers  
1477 ROSEDALE DRIVE PHONE (770) 434-2120  
HIRAM, GA 30141 FAX (770) 434-2122

JOB NAME: GSA-FEMA OFFICE AND WAREHOUSE  
LOCATION: WINCHESTER, VA.  
ARCHITECT: KAPLAN- McLAUGHLIN- DIAZ, ARCHITECTS  
CONTRACTOR: HARVEY- CLEARY BUILDERS

REVISIONS

DRAWN: DEP  
SCALE: AS SHOWN  
DATE: 3/19/07

JOB #  
**4020**  
SHT 23 OF 23