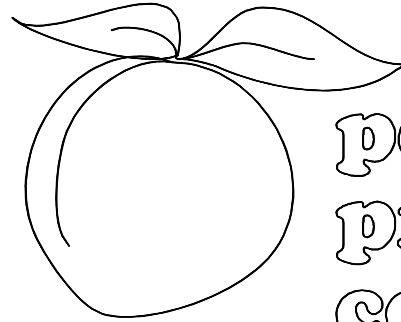


JOB # 3044



peachtree
protective
covers

NORTHWEST MIDDLE
SCHOOL NO. 1

RICHMOND, VA

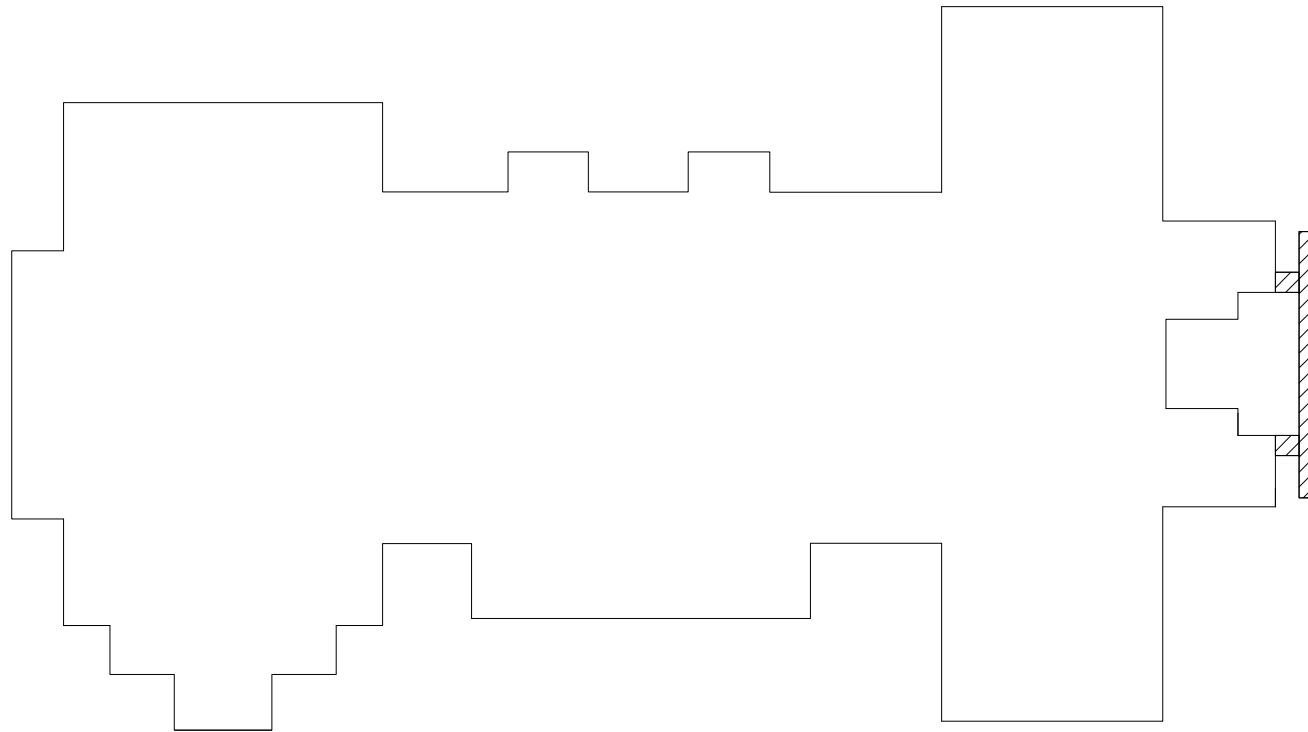
BY

MOSELEY HARRIS & McCLINTOCK

JUNE 8, 2004

1477 ROSEDALE DRIVE
HIRAM, GA 30141
(770) 439-2120
fax (770) 439-2122

NOTE:
PEACHTREE PROTECTIVE COVERS RESERVES
THE RIGHT TO INSTALL MECHANICAL JOINTS
IN COLUMNS THAT EXCEED SHIPPING LIMITATIONS.



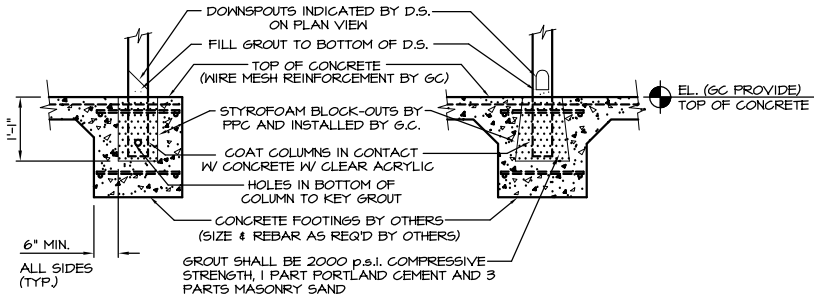
KEY PLAN

"MATERIAL ONLY"



GC NOTE:
GC SHALL PROVIDE FIELD VERIFIED DIMENSIONS, BUILDING LOCATIONS, AND ELEVATIONS OF FINISHED SIDEWALK AT EACH COLUMN LOCATION PRIOR TO CANOPY FABRICATION.

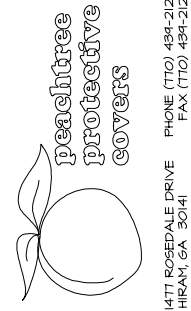
G.C. / ARCHITECT NOTE:
PLEASE CHOOSE CANOPY FINISH FROM THE SUBMITTED VALSPAR COLOR CHART OF OUR STANDARD 2-COAT KYNAR COLORS.



A FOOTING DETAIL

G.C. TO PROVIDE ELEVATIONS FOR TOP OF FOOTING AT EACH COLUMN LOCATION.

FINISH SCHEDULE		
DESCRIPTION	FINISH	COLOR
3" ROLL FORM DECK	2-COAT KYNAR	VALSPAR BONE WHITE
8"X4" GUTTER FASCIA	2-COAT KYNAR	VALSPAR BONE WHITE
8"X4" COLUMN	2-COAT KYNAR	VALSPAR BONE WHITE
3"X3" DS	2-COAT KYNAR	VALSPAR BONE WHITE
8"X4" BEAM	2-COAT KYNAR	VALSPAR BONE WHITE
6"X4" BEAM	2-COAT KYNAR	VALSPAR BONE WHITE
4"X4" VALLEY TUBE	2-COAT KYNAR	VALSPAR BONE WHITE

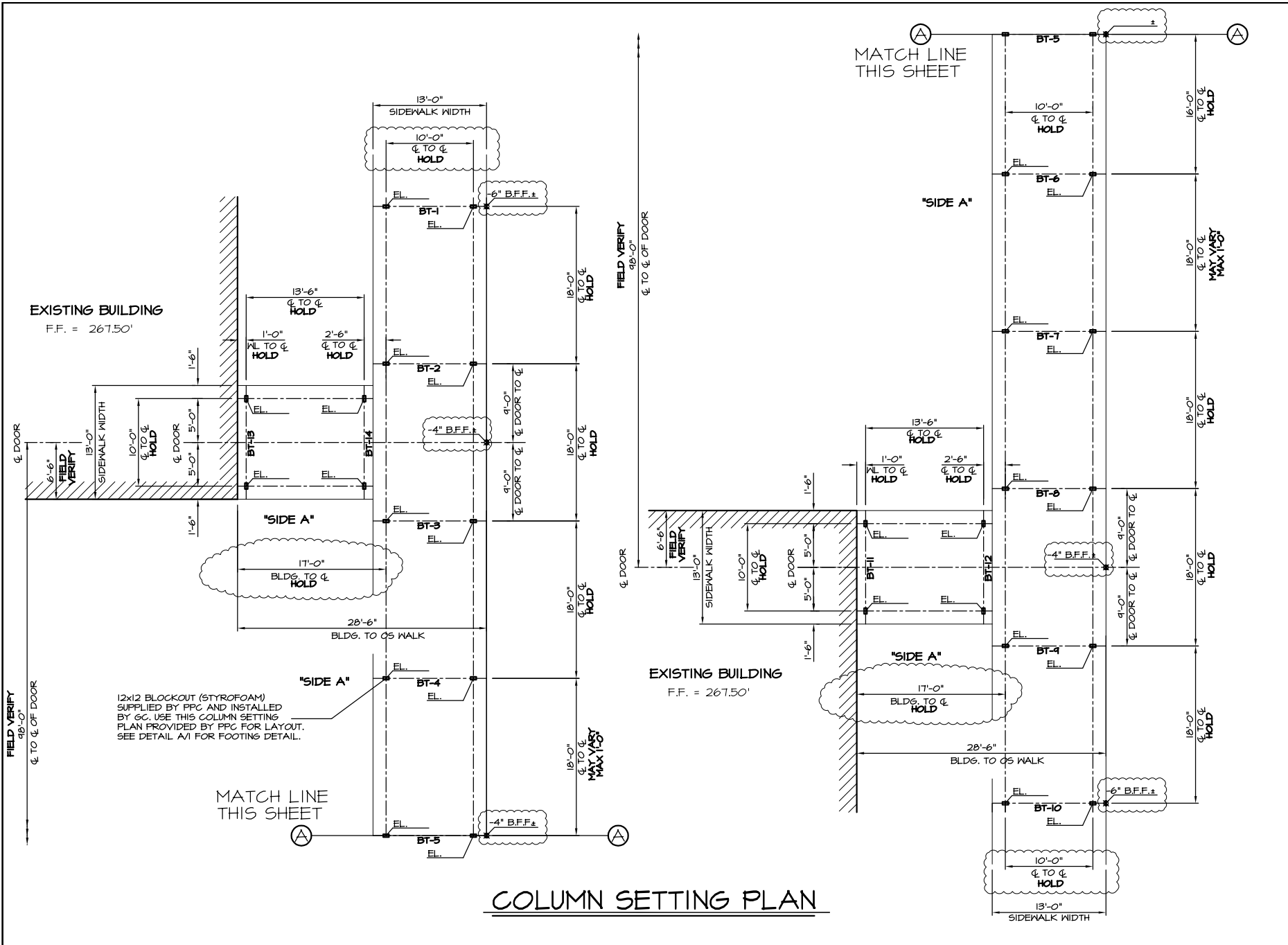


peachtree
protective
covers
1477 ROSEDALE DRIVE
HIRAM, GA 30141
PHONE (770) 434-2120
FAX (770) 434-2122

JOB NAME: NORTHWEST MIDDLE SCHOOL NO. 1
LOCATION: RICHMOND, VA
ARCHITECT: MOSELEY HARRIS & McCLINTOCK
CONTRACTOR: SOUTHWOOD BUILDERS, INC.
CUSTOMER: ROANOKE ENGINEERING SALES CO., INC.

REVISIONS	
7/17/03 KHM	
6-2-04 TLM	

DRAWN: KRISTA
SCALE: AS SHOWN
DATE: 3/17/03
JOB #
3044
SHT 1 OF 5



COLUMN SETTING PLAN



1477 ROSEDALE DRIVE
 HIRAM, GA 30141
 PHONE (770) 434-2120
 FAX (770) 434-2122

JOB NAME: NORTHWEST MIDDLE SCHOOL NO. 1
LOCATION: RICHMOND, VA
ARCHITECT: MOSELEY HARRIS & McCLINTOCK
CONTRACTOR: SOUTHWOOD BUILDERS, INC.
CUSTOMER: ROANOKE ENGINEERING SALES CO., INC.

REVISIONS	
1/17/03	KHM
6-4-04	TLN

DRAWN: KRISTA

SCALE: AS SHOWN

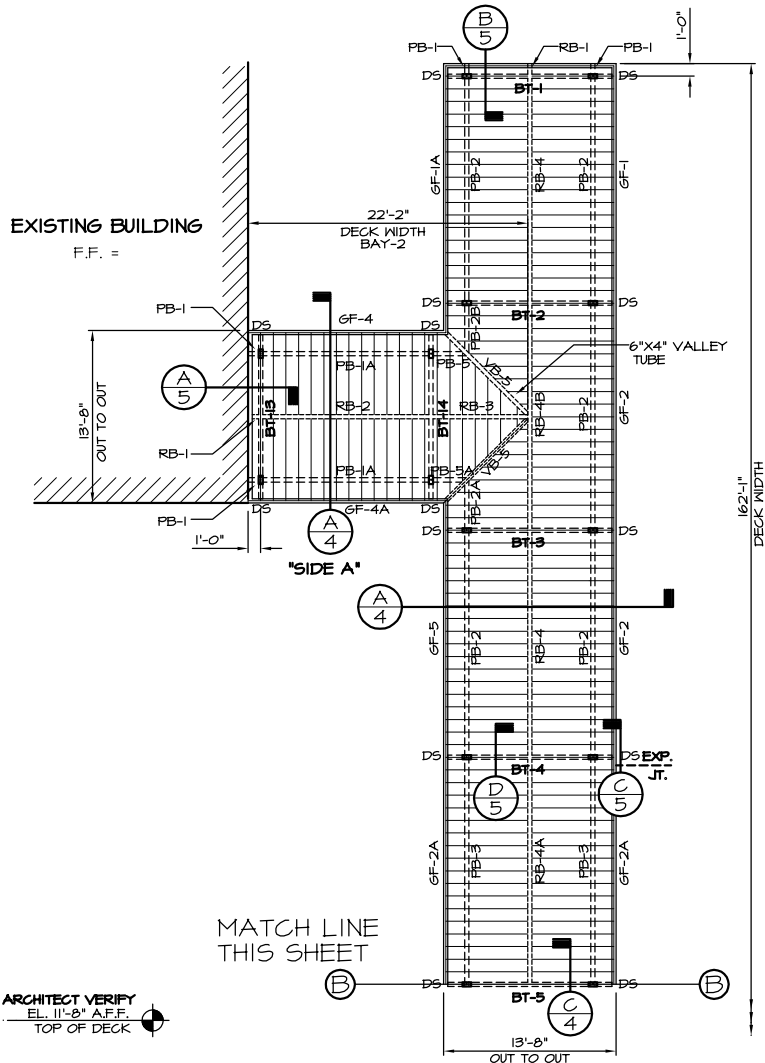
DATE: 3/17/03

JOB #
 3044

SHT 2 OF 5

EXISTING BUILDING

F.F. =



MATCH LINE THIS SHEET

ARCHITECT VERIFY
EL. 11'-8" A.F.F.
TOP OF DECK

←DECK LEVEL→

8"x4" BEAM

8"x4" COLUMN

8"x4" COLUMN BEYOND

3" ROLL FORM DECK

8"x4" GUTTER FASCIA

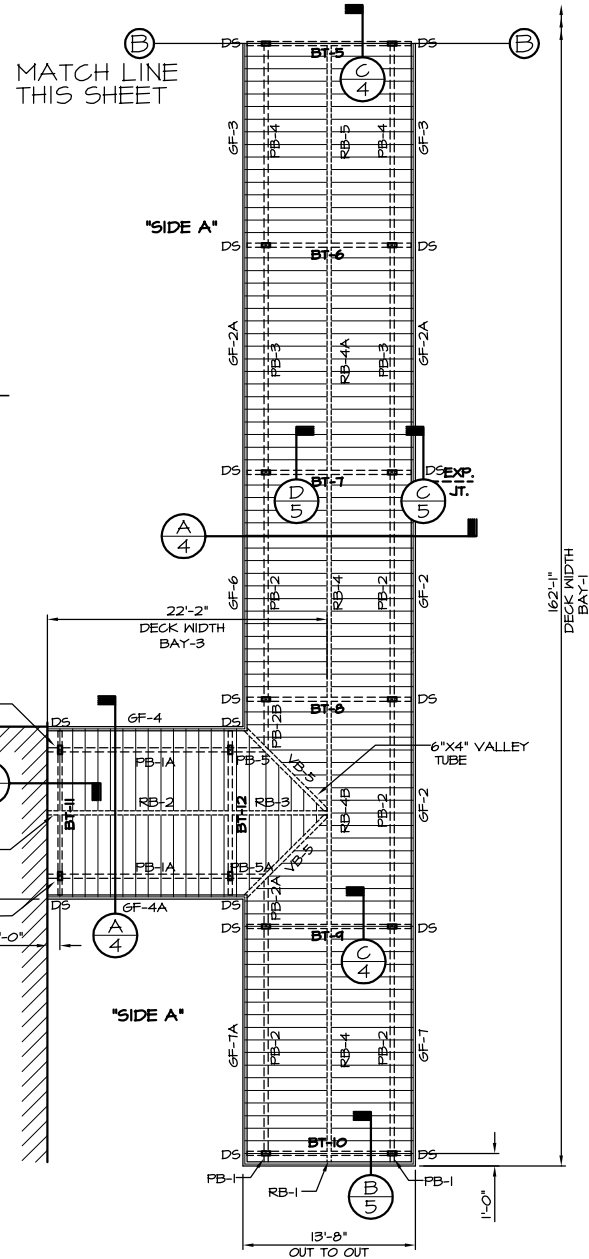
EXISTING BUILDING

F.F. =

DECK PLAN



MATCH LINE THIS SHEET



162'-1" DECK WIDTH BAY-1

162'-1" DECK WIDTH BAY-1

A
3 ELEVATION
TYPICAL

NOTE:
SOME BACKGROUND DETAILS
OMITTED FOR CLARITY.

JOB NAME: NORTHWEST MIDDLE SCHOOL NO. 1
 LOCATION: RICHMOND, VA
 ARCHITECT: MOSELEY HARRIS & McCLINTOCK
 CONTRACTOR: SOUTHWOOD BUILDERS, INC.
 CUSTOMER: ROANOKE ENGINEERING SALES CO., INC.

REVISIONS

7/17/03 KHM
4/15/04 RLV
6-2-04 TLM

DRAWN: KRISTA

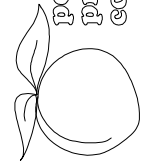
SCALE: AS SHOWN

DATE: 3/17/03

JOB #

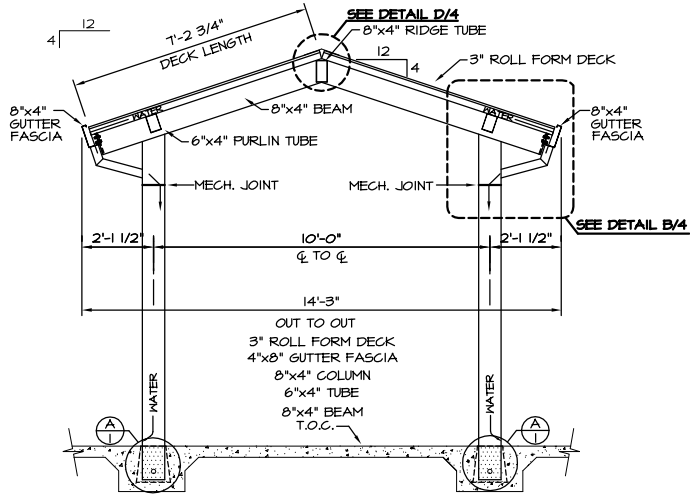
3044

SHT 3 OF 5

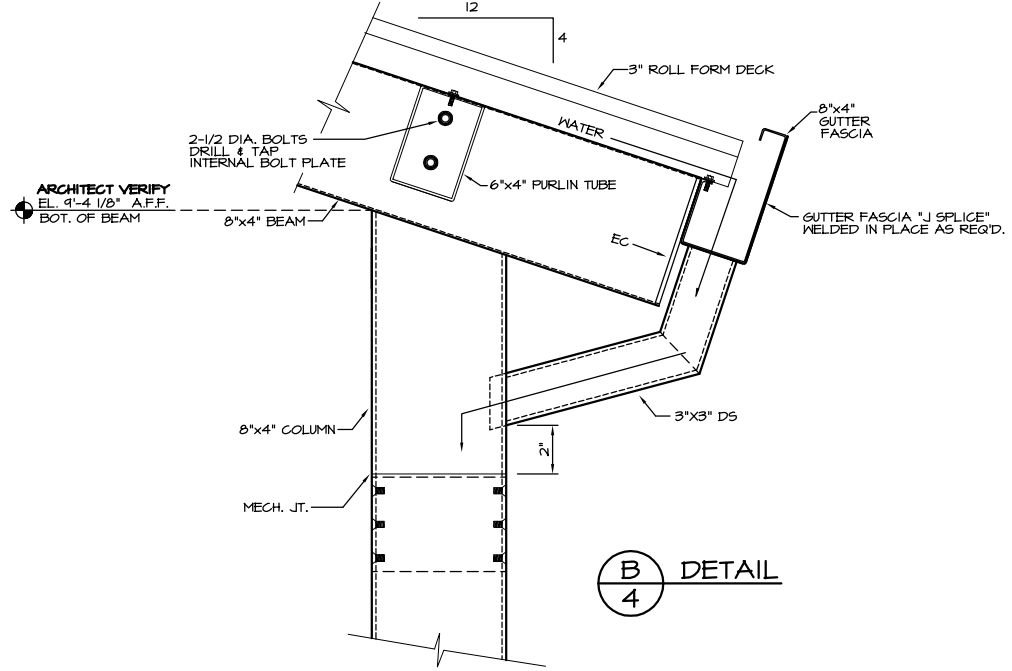


peachtree
protective
covers

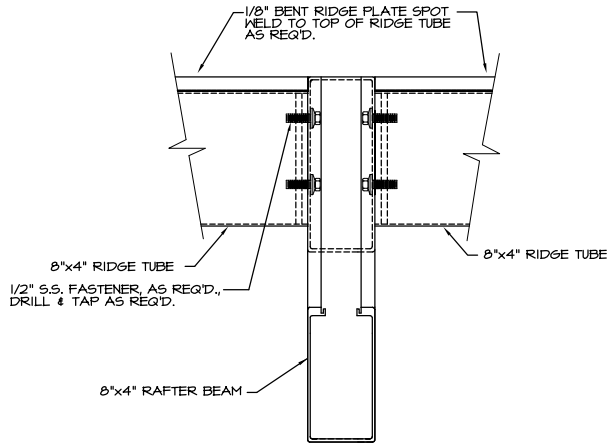
1477 ROSEDALE DRIVE
HIRAM, GA 30141
PHONE (770) 434-2120
FAX (770) 434-2122



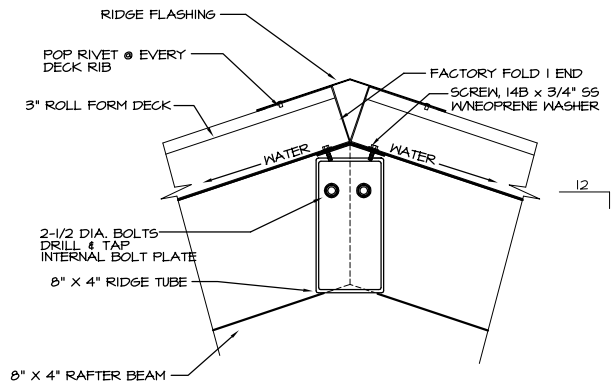
A
SECTION
4



B
DETAIL
4



C
SECTION
4



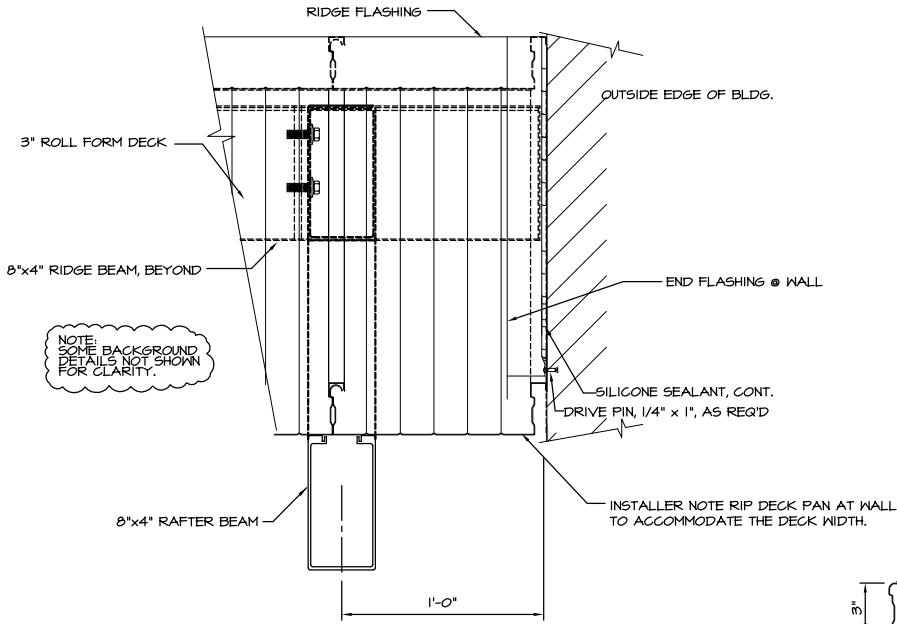
D
DETAIL
4



1477 ROSEDALE DRIVE
HIRAM, GA 30141
PHONE (770) 434-2120
FAX (770) 434-2122

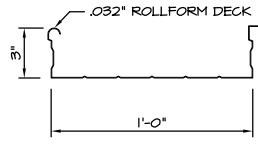
JOB NAME: NORTHWEST MIDDLE SCHOOL NO. 1
LOCATION: RICHMOND, VA
ARCHITECT: MOSELEY HARRIS & McCLINTOCK
CONTRACTOR: SOUTHWOOD BUILDERS, INC.
CUSTOMER: ROANOKE ENGINEERING SALES CO., INC.

REVISIONS	
7/17/03 KHM	
6-2-04 TLN	
DRAWN: KRISTA	
SCALE: AS SHOWN	
DATE: 3/17/03	
JOB #	
3044	
SHT 4 OF 5	

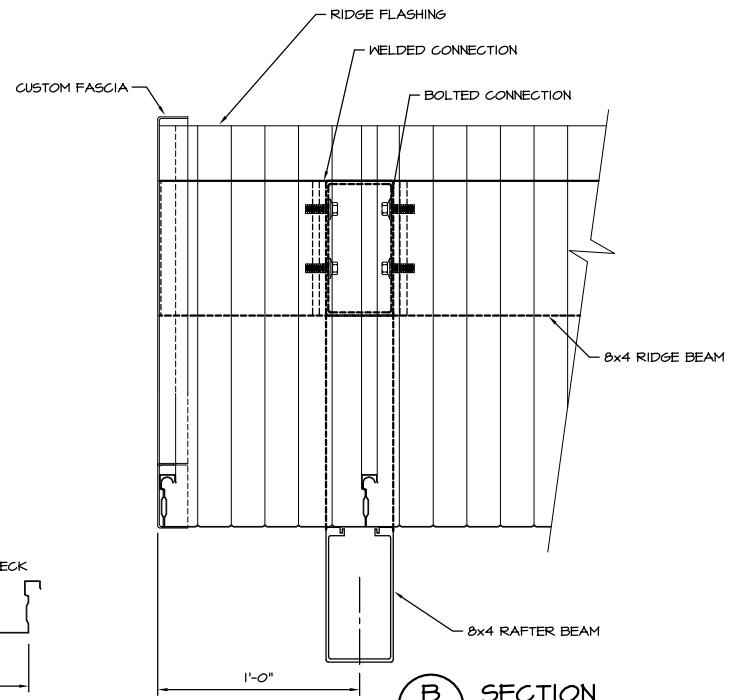


NOTE:
SOME BACKGROUND
DETAILS NOT SHOWN
FOR CLARITY.

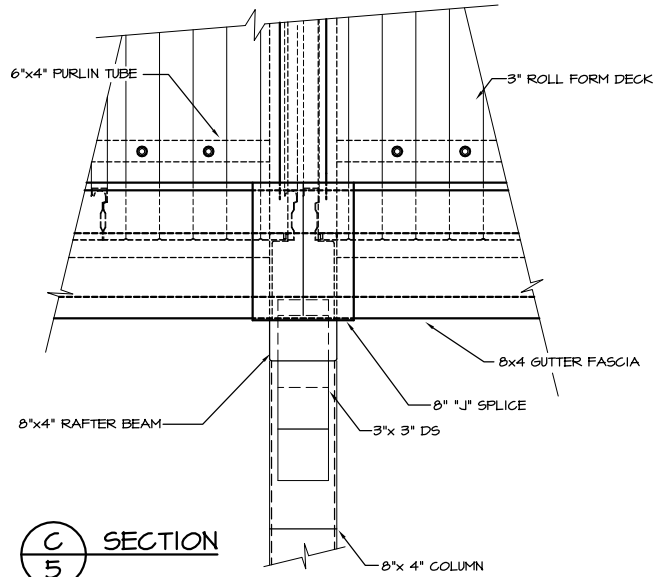
A
5 SECTION



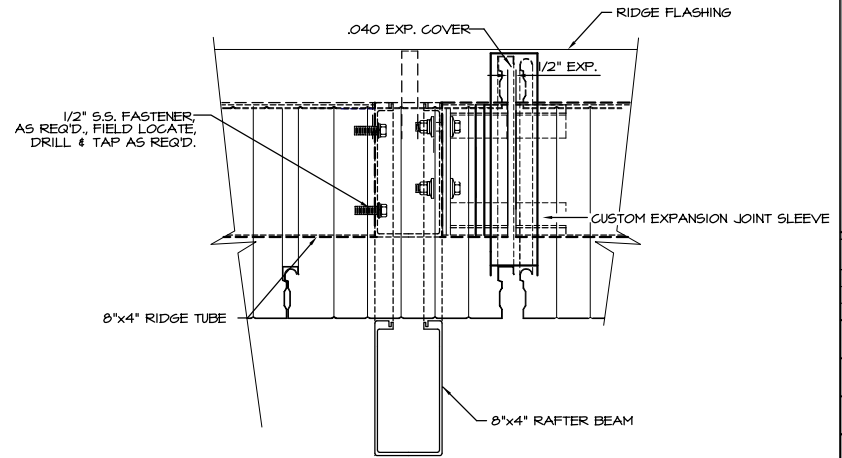
DECK PROFILE
TYP.



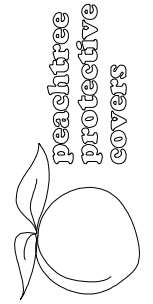
B
5 SECTION



C
5 SECTION



D
5 SECTION



1477 ROSSEDALE DRIVE
HIRAM, GA 30141
PHONE (770) 434-2100
FAX (770) 434-2122

JOB NAME: NORTHWEST MIDDLE SCHOOL NO. 1
LOCATION: RICHMOND, VA
ARCHITECT: MOSELEY HARRIS & McCLINTOCK
CONTRACTOR: SOUTHWOOD BUILDERS, INC.
CUSTOMER: ROANOKE ENGINEERING SALES CO., INC.

REVISIONS

7/17/03	KHM

DRAWN: KRISTA
SCALE: AS SHOWN
DATE: 3/17/03

JOB #
3044
SHT 5 OF 5