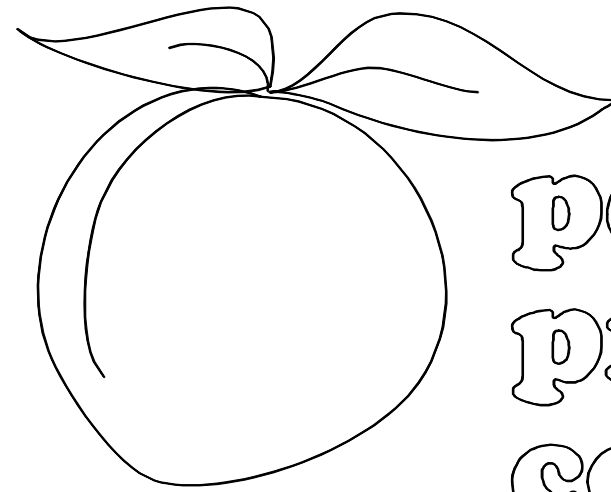


JOB # 2771



peachtree
protective
covers

KNIGHTDALE HIGH SCHOOL

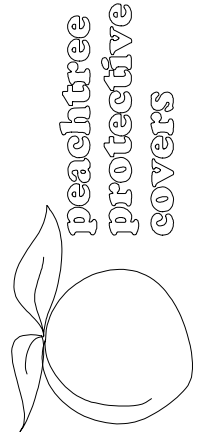
RALEIGH, NC

BY

BONEY ARCHITECTS

NOVEMBER 17, 2003

1477 ROSEDALE DRIVE
HIRAM, GA 30141
(770) 439-2120
fax (770) 439-2122



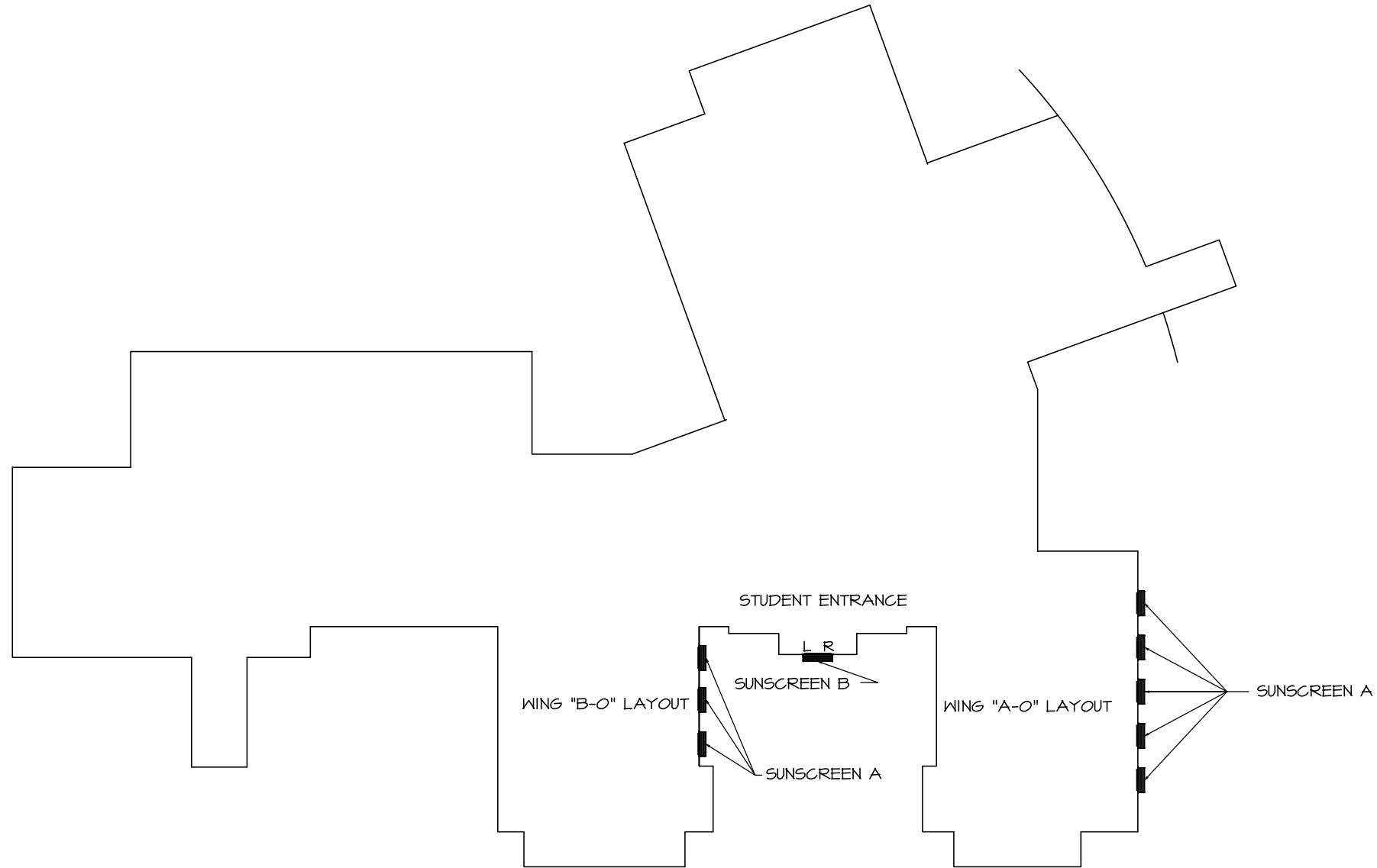
1441 TREZOR DRIVE
HARRAS, GA 30044
PHONE: (770) 489-4220
FAX: (770) 489-4222

JOB NAME: KNIGHTDALE HIGH SCHOOL

LOCATION: RALEIGH, NC

ARCHITECT: BONEY ARCHITECTS

CONTRACTOR: R. N. ROUSE & COMPANY, INC.



SUNSCREEN KEY PLAN

SCALE N.T.S.



SUNSCREEN SCHEDULE

AREA "A-O"	5 EA. 1ST FLOOR	5 REQ'D.
AREA "A-O"	5 EA. 2ND FLOOR	5 REQ'D.
AREA "A-O"	5 EA. 3RD FLOOR	5 REQ'D.
AREA "B-O"	3 EA. 1ST FLOOR	3 REQ'D.
AREA "B-O"	3 EA. 2ND FLOOR	3 REQ'D.
AREA "B-O"	3 EA. 3RD FLOOR	3 REQ'D.
STUDENT ENTRANCE	1 EA. 1ST FLOOR	1 REQ'D.
	TOTAL	25 REQ'D.

FINISH SCHEDULE

DESCRIPTION	FINISH	COLOR
8" X 4'-0" X 3/8" MOUNTING PLATE	KYNAR	REGAL WHITE
6" ELLIPTICAL BLADE	KYNAR	REGAL WHITE
4" DIA. TUBE	KYNAR	REGAL WHITE

REVISIONS

5/19/03 DHC
11/17/03 JCJ

DRAWN: RANDY V

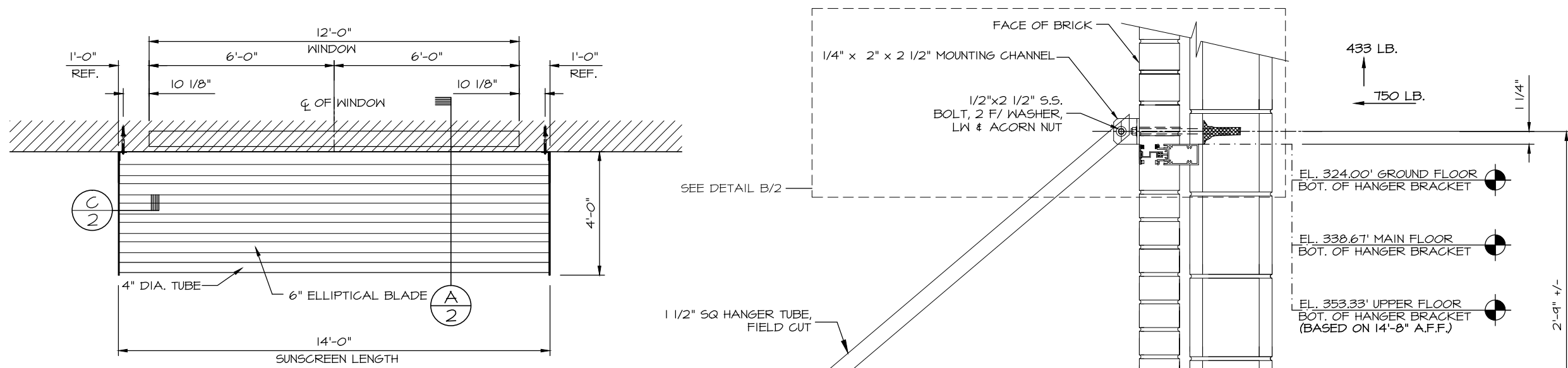
SCALE: AS SHOWN

DATE: 4/11/02

JOB #

2771

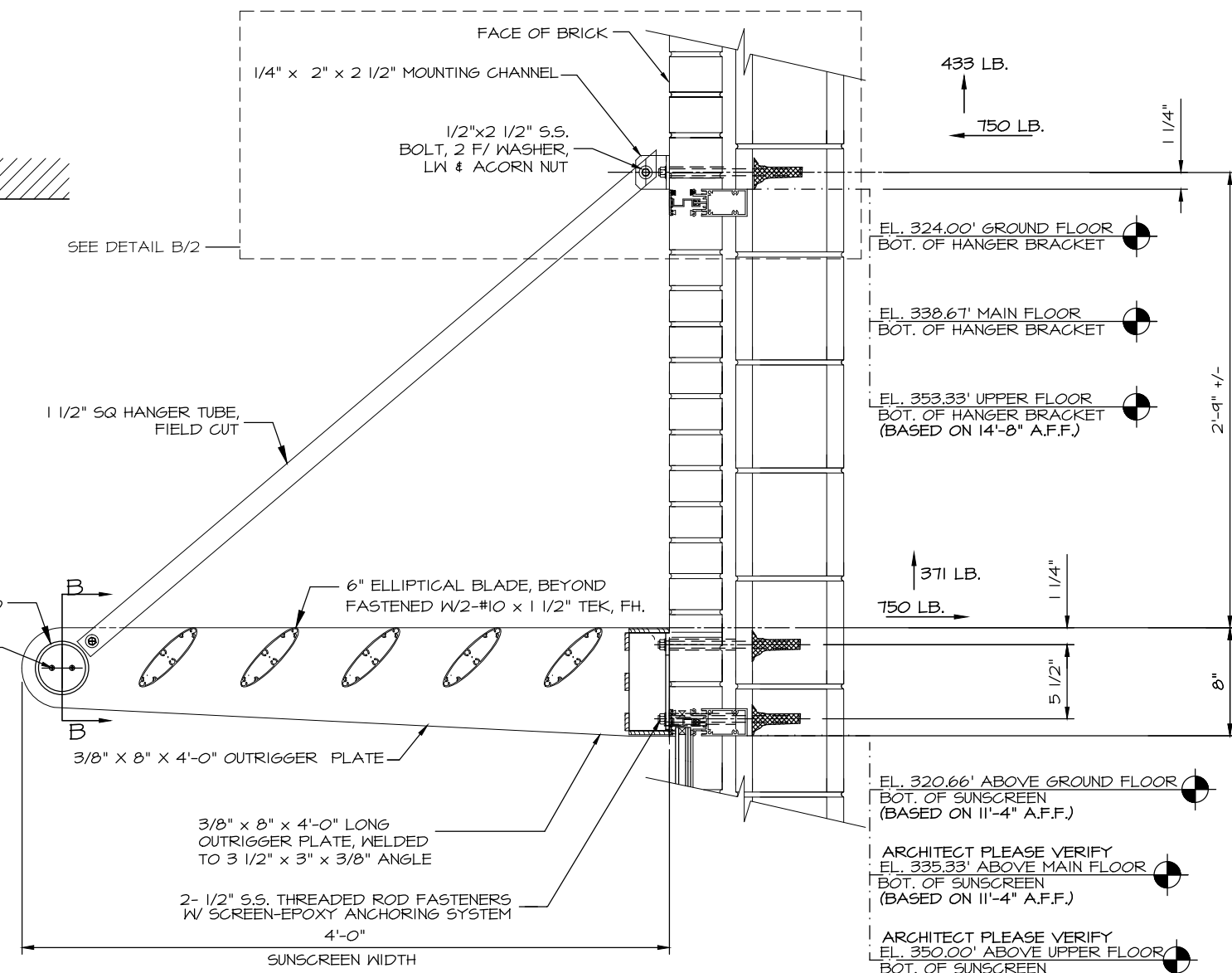
SHT 1 OF 3



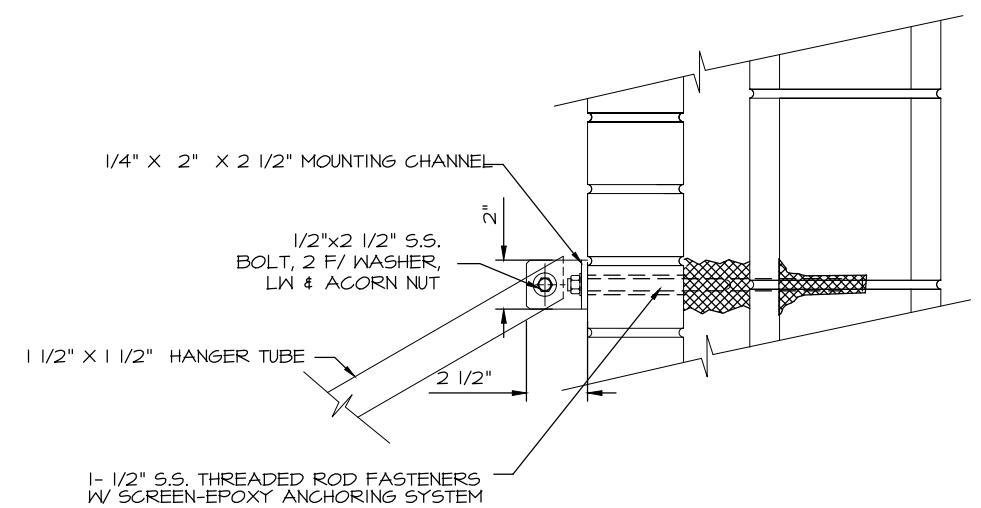
SUNSCREEN PLAN VIEW

SCALE 1/2" = 1'-0"

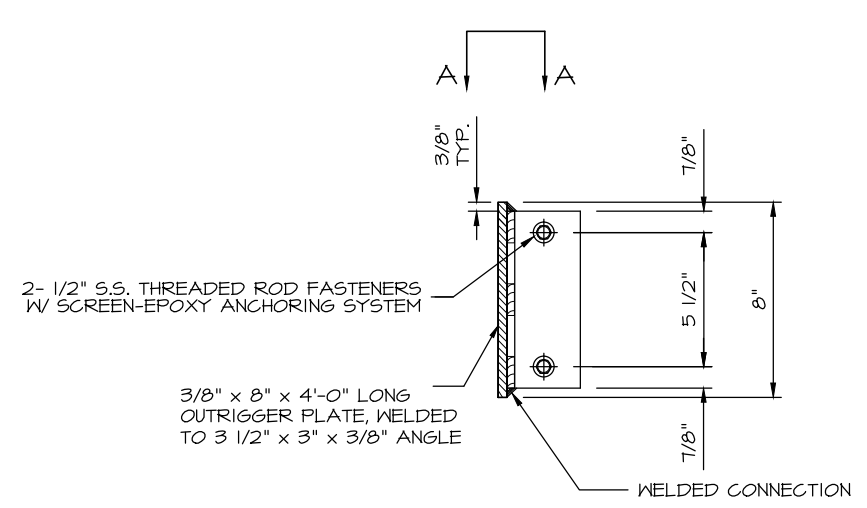
TYPICAL WINDOW UNIT SUNSCREENS 24 REQ'D.



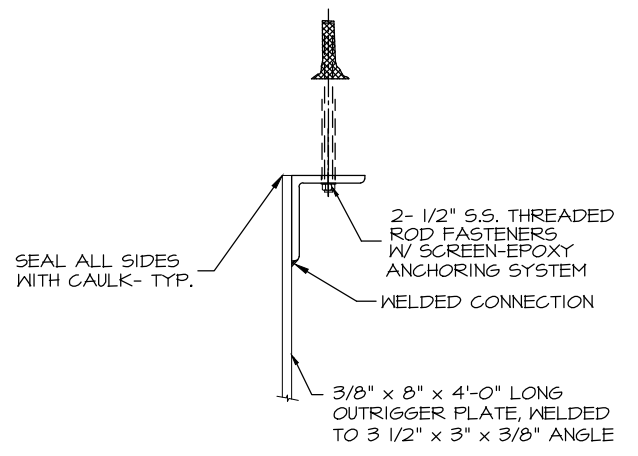
SECTION A-A



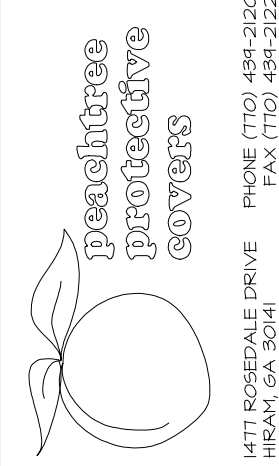
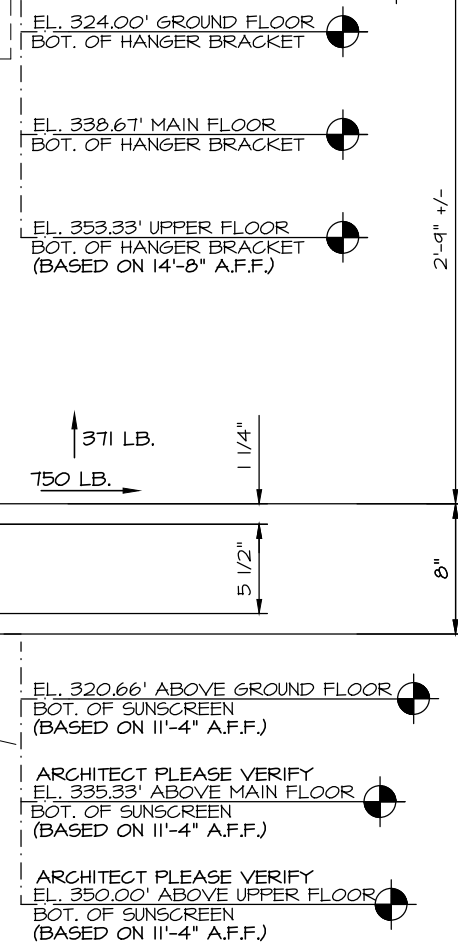
DETAIL B-2



SECTION C-C



VIEW A-A



1477 ROSEDALE DRIVE HIRAM, GA 30141
PHONE (770) 434-2120
FAX (770) 434-2122

JOB NAME: KNIGHTDALE HIGH SCHOOL
LOCATION: RALEIGH, NC
ARCHITECT: BONEY ARCHITECTS
CONTRACTOR: R. N. ROUSE & COMPANY, INC.

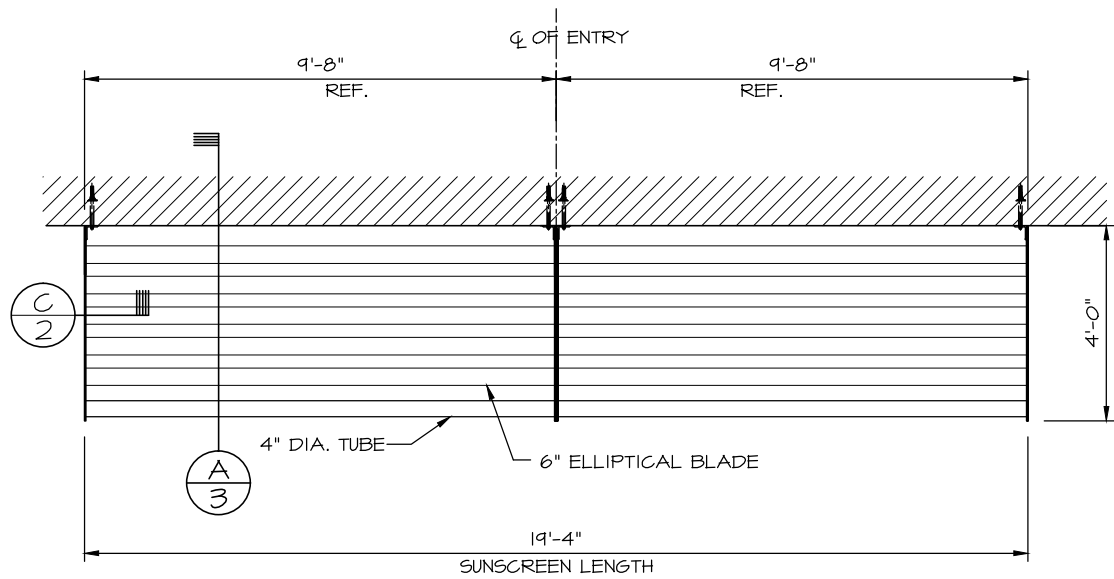
REVISIONS	
2/4/03	JCJ
5/19/03	DHC
11/17/03	JCJ

DRAWN: RANDY V

SCALE: AS SHOWN

DATE: 4/11/02

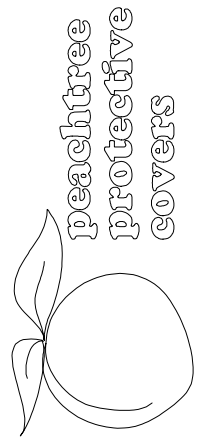
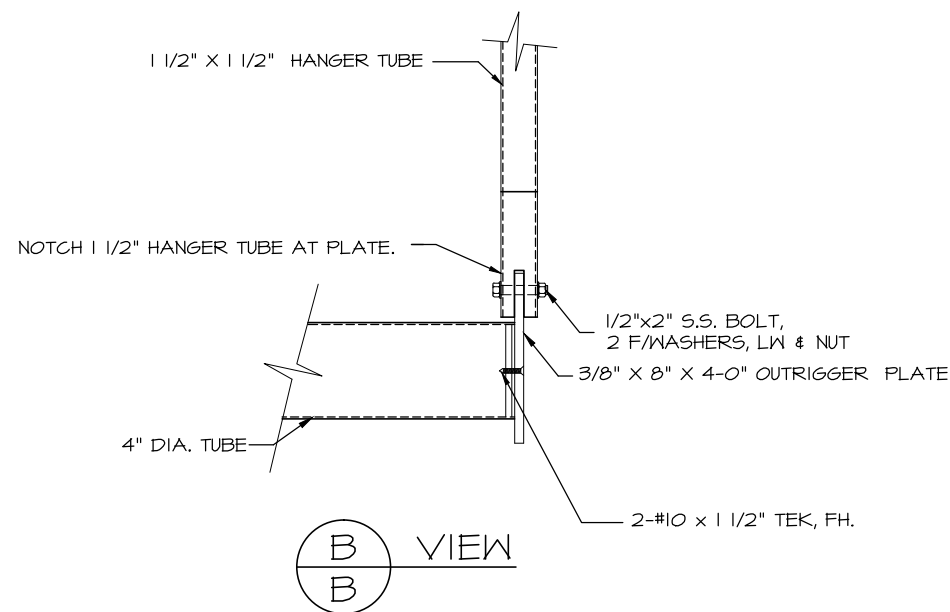
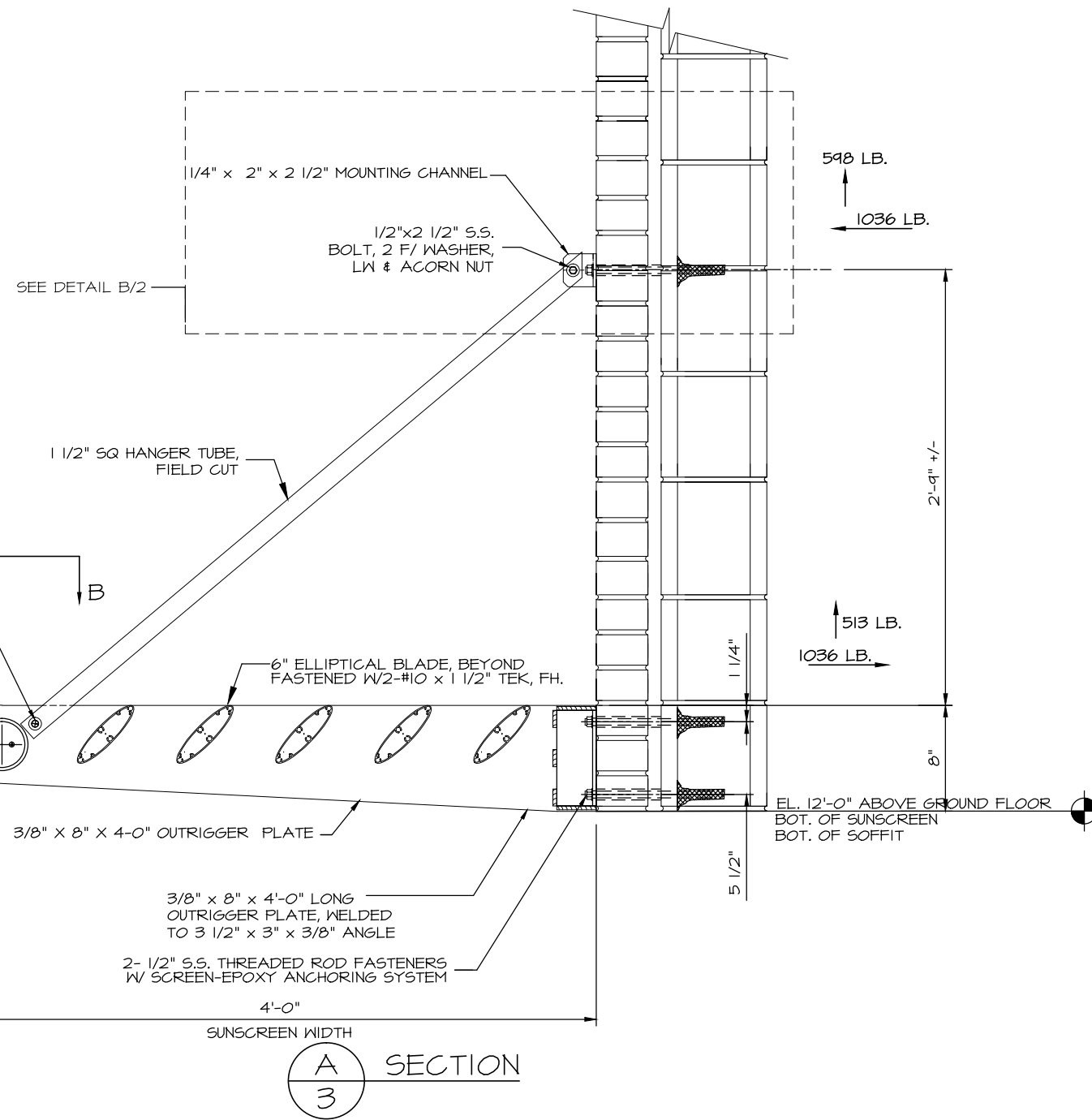
JOB #
2771
SHT 2 OF 3



SUNSCREEN PLAN VIEW

SCALE 1/2" = 1'-0"

STUDENT ENTRANCE SUNSCREEN
1 REQ'D.



peachtree
protective
covers
1477 ROSEDALE DRIVE HIRAM, GA 30141
PHONE (770) 434-2120
FAX (770) 434-2122

JOB NAME: KNIGHTDALE HIGH SCHOOL
LOCATION: RALEIGH, NC
ARCHITECT: BONEY ARCHITECTS
CONTRACTOR: R. N. ROUSE & COMPANY, INC.

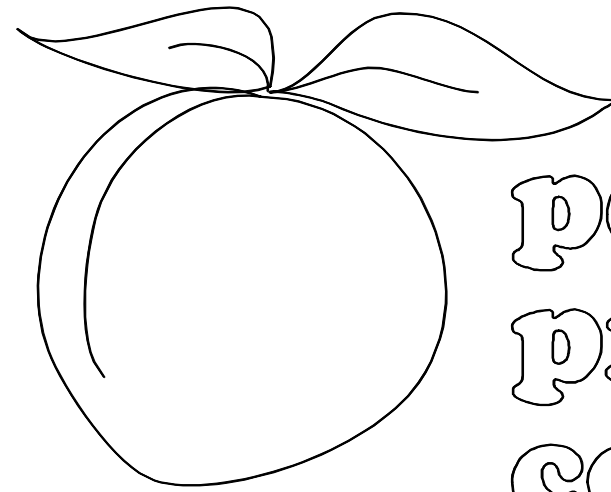
REVISIONS	
2/4/03	JCJ
5/19/03	JCJ
11/17/03	JCJ

DRAWN: RANDY V

SCALE: AS SHOWN

DATE: 4/11/02

JOB #
2771
SHT 3 OF 3



peachtree
protective
covers

JOB # 2771

C.O.# 1

KNIGHTDALE HIGH SCHOOL

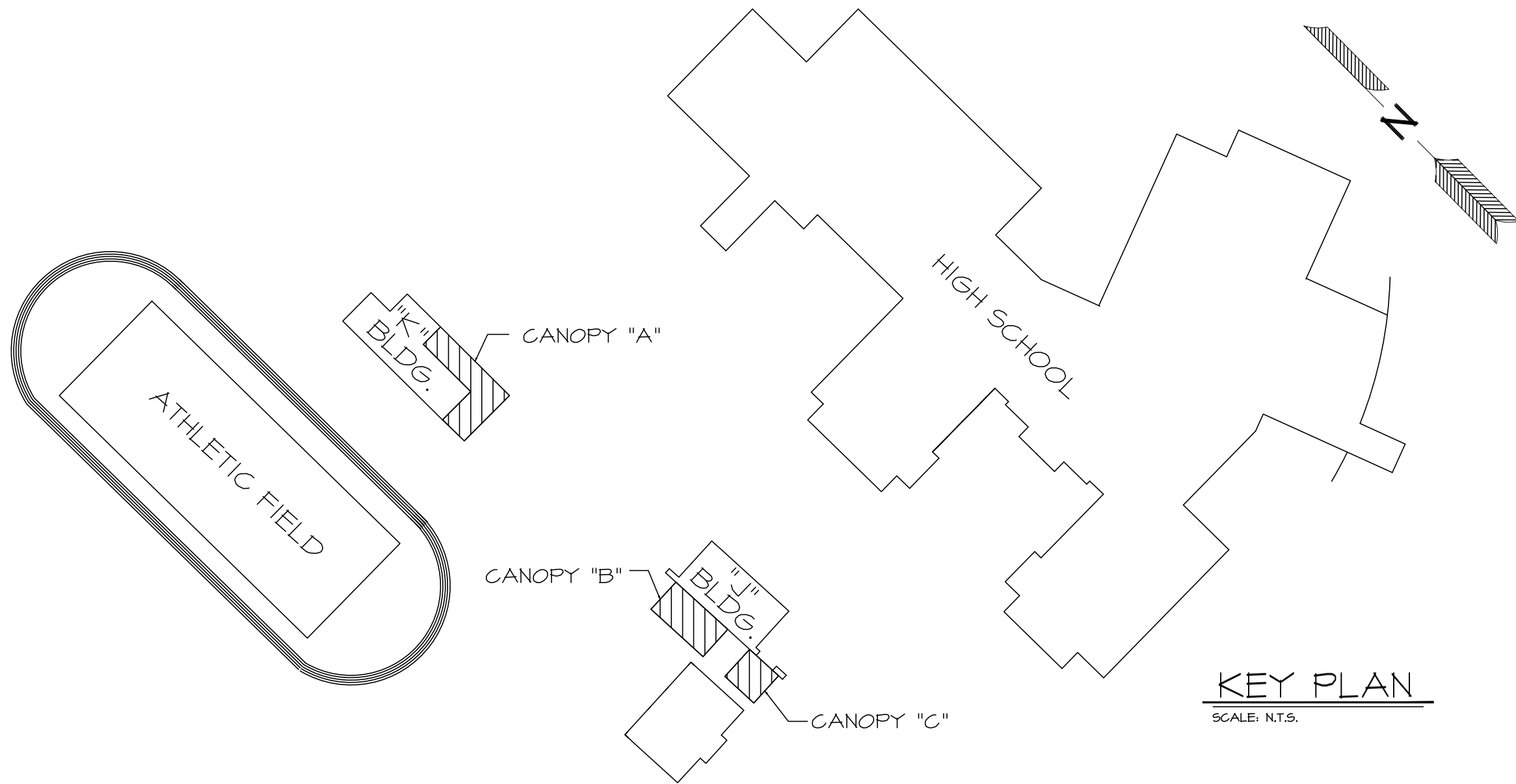
RALEIGH, NC

BY

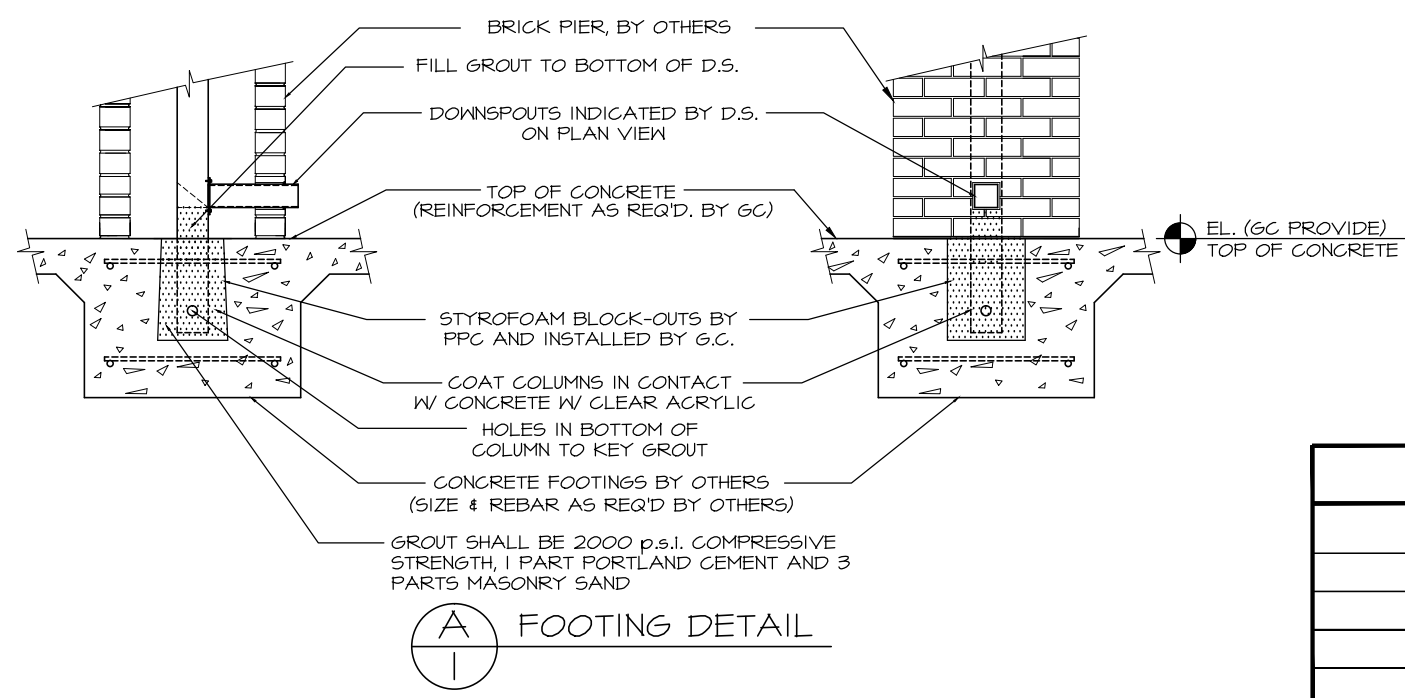
BONEY ARCHITECTS

MARCH 26, 2004

1477 ROSEDALE DRIVE
HIRAM, GA 30141
(770) 439-2120
fax (770) 439-2122



KEY PLAN
SCALE: N.T.S.



FINISH SCHEDULE

DESCRIPTION	FINISH	COLOR
3 1/2" FLAT SOFFIT DECK	ANODIZED	CLEAR
6" FASCIA	ANODIZED	CLEAR
6"x6" COLUMN	ANODIZED	CLEAR
10"x6" BEAM	ANODIZED	CLEAR

peachtree protective covers

1477 ROSEDALE DRIVE HIRAM, GA 30141
 PHONE (770) 439-2120
 FAX (770) 439-2122

JOB NAME: KNIGHTDALE HIGH SCHOOL
 LOCATION: RALEIGH, NC
 ARCHITECT: BONEY ARCHITECTS
 CONTRACTOR: R. N. ROUSE & COMPANY, INC.

REVISIONS

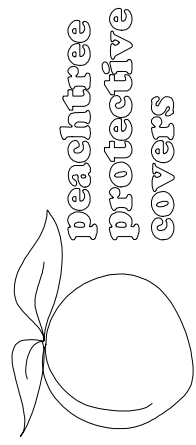
DRAWN: DARA

SCALE: AS SHOWN

DATE: 8/4/03

JOB #
2771C.O.

SHT 1 OF 5



peachtree
protective
covers

1471 ROSEDALE DRIVE HIRAM, GA 30141
PHONE (770) 439-2120
FAX (770) 439-2122

JOB NAME: KNIGHTDALE HIGH SCHOOL
LOCATION: RALEIGH, NC
ARCHITECT: BONEY ARCHITECTS
CONTRACTOR: R. N. ROUSE & COMPANY, INC.

REVISIONS	
11/11/03	JCJ
3/26/04	JCJ

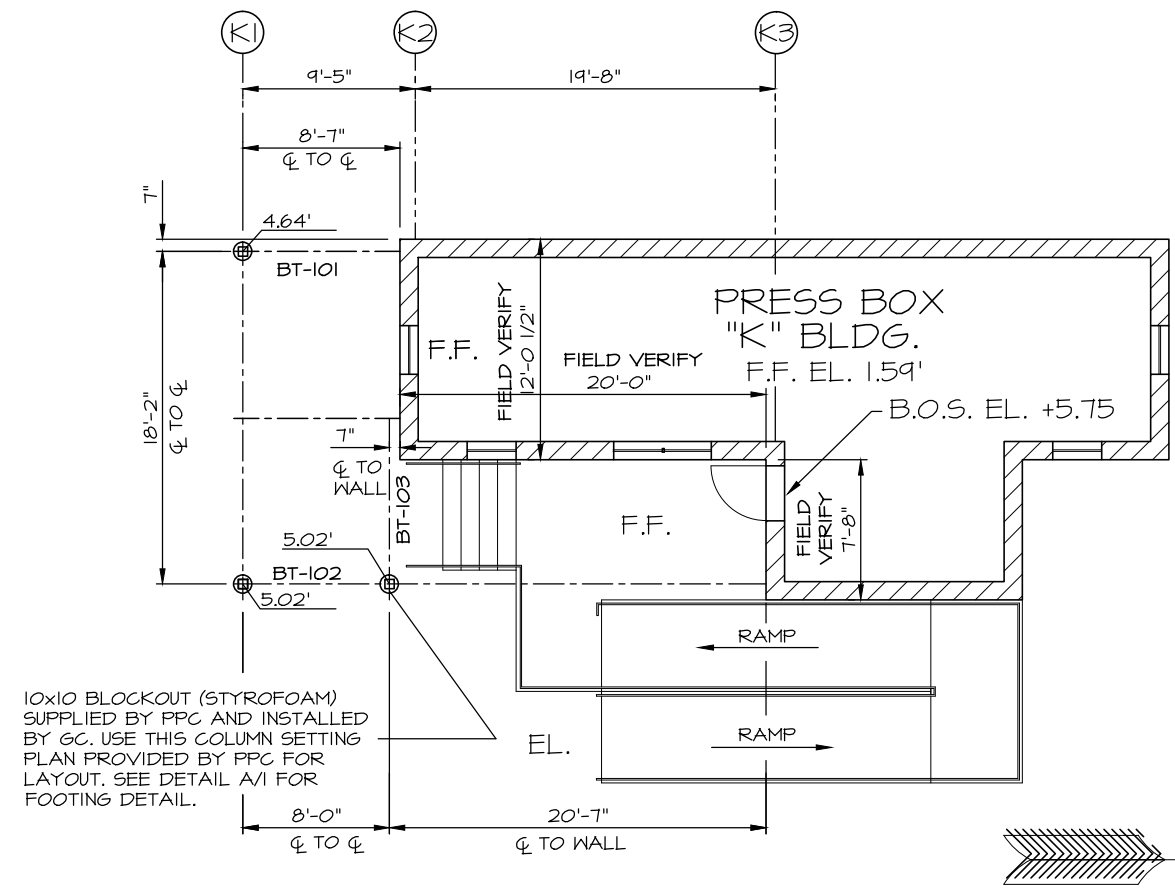
DRAWN: DARA

SCALE: AS SHOWN

DATE: 8/4/03

JOB #
2771C.0.

SHT 2 OF 5

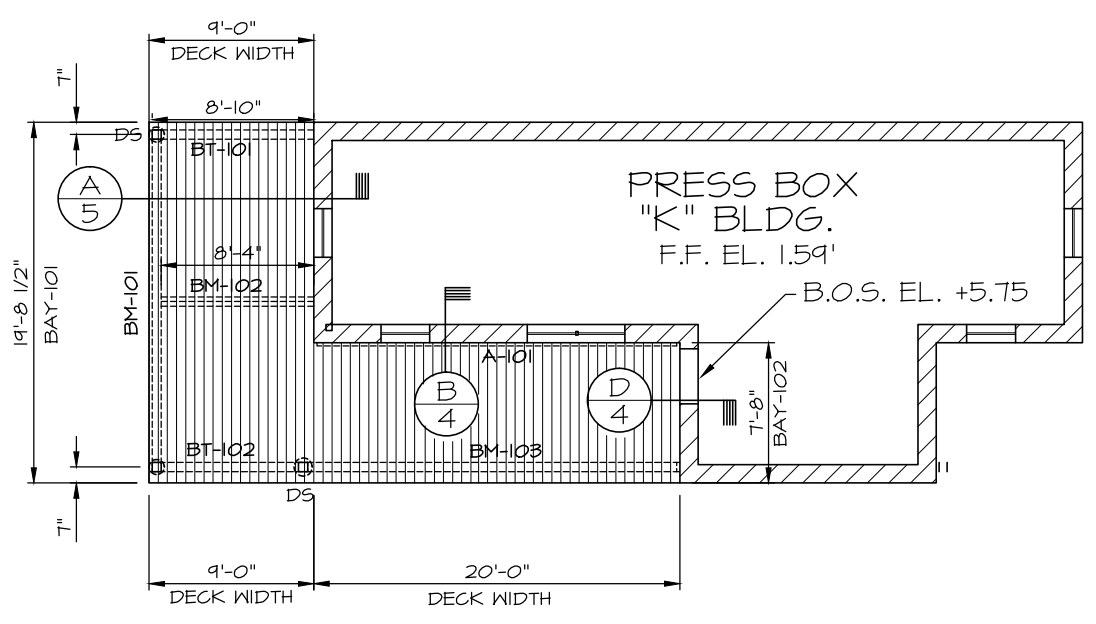
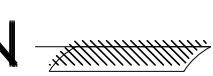


10x10 BLOCKOUT (STYROFOAM) SUPPLIED BY PPC AND INSTALLED BY GC. USE THIS COLUMN SETTING PLAN PROVIDED BY PPC FOR LAYOUT. SEE DETAIL A/1 FOR FOOTING DETAIL.

COLUMN SETTING PLAN

SCALE 3/32" = 1'-0"

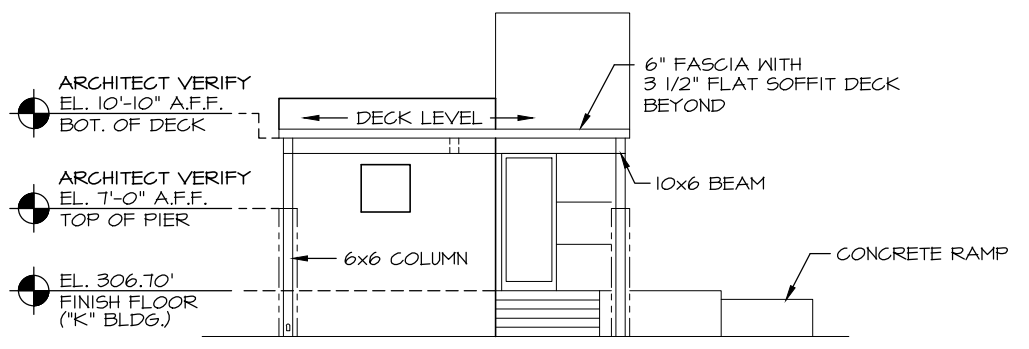
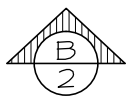
CANOPY "A"



DECK PLAN

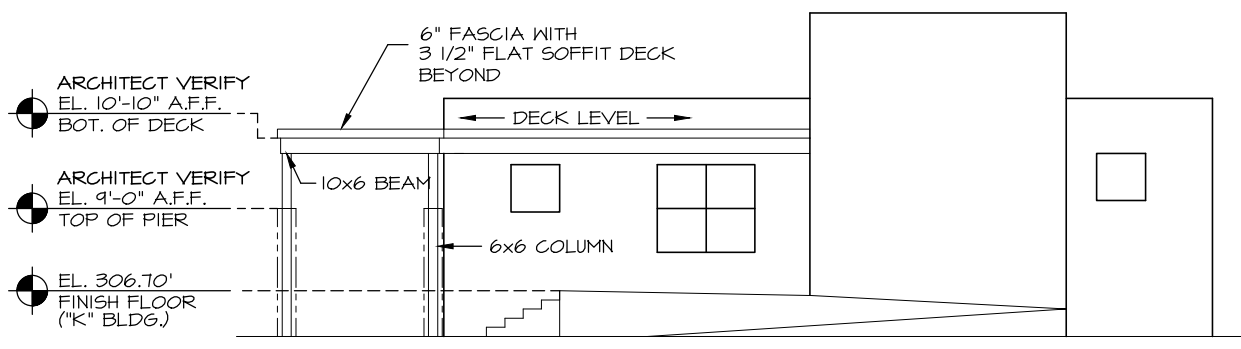
SCALE 3/32" = 1'-0"

CANOPY "A"



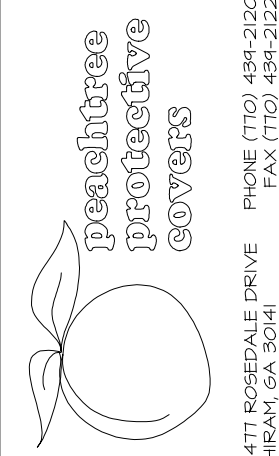
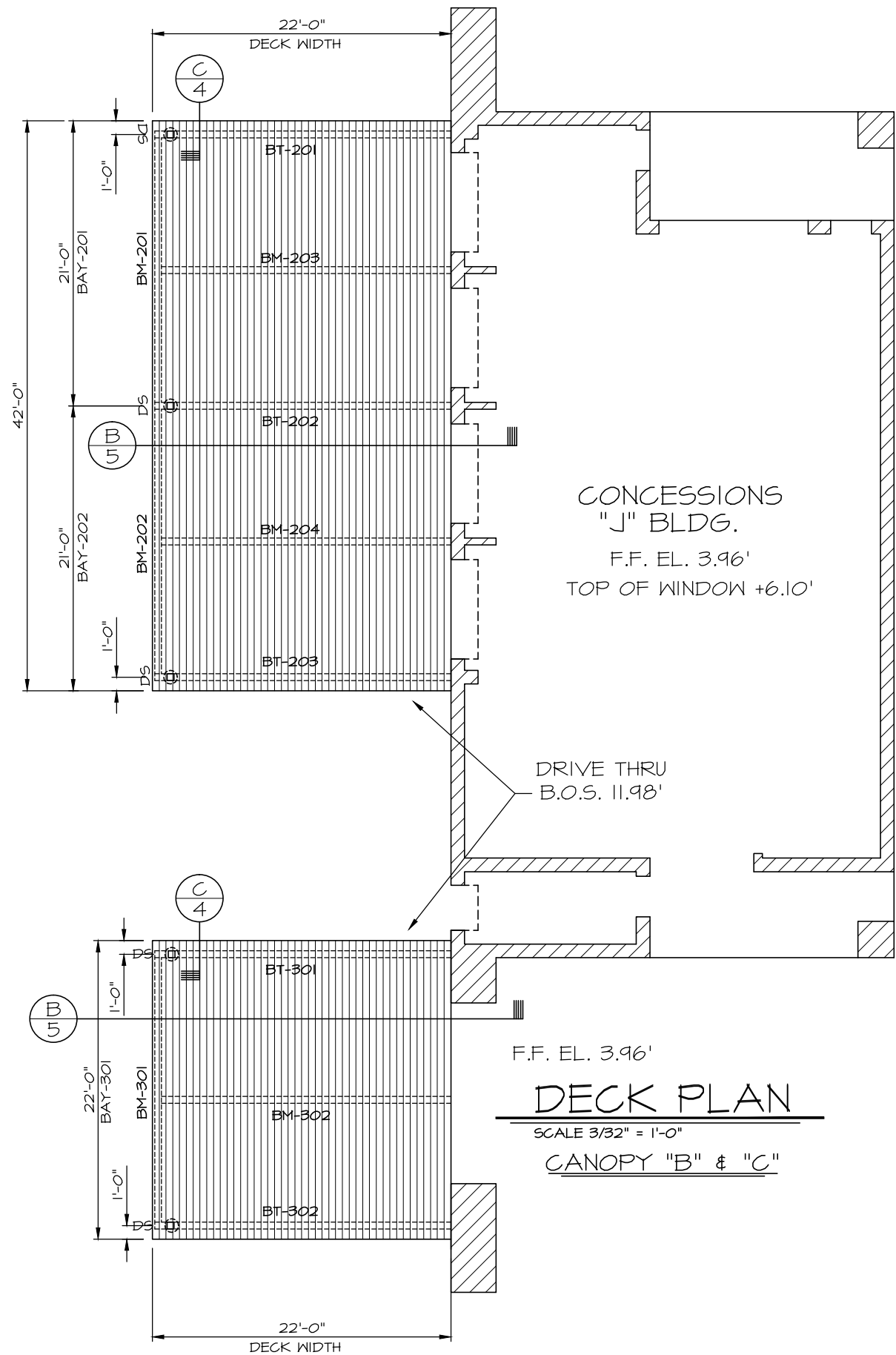
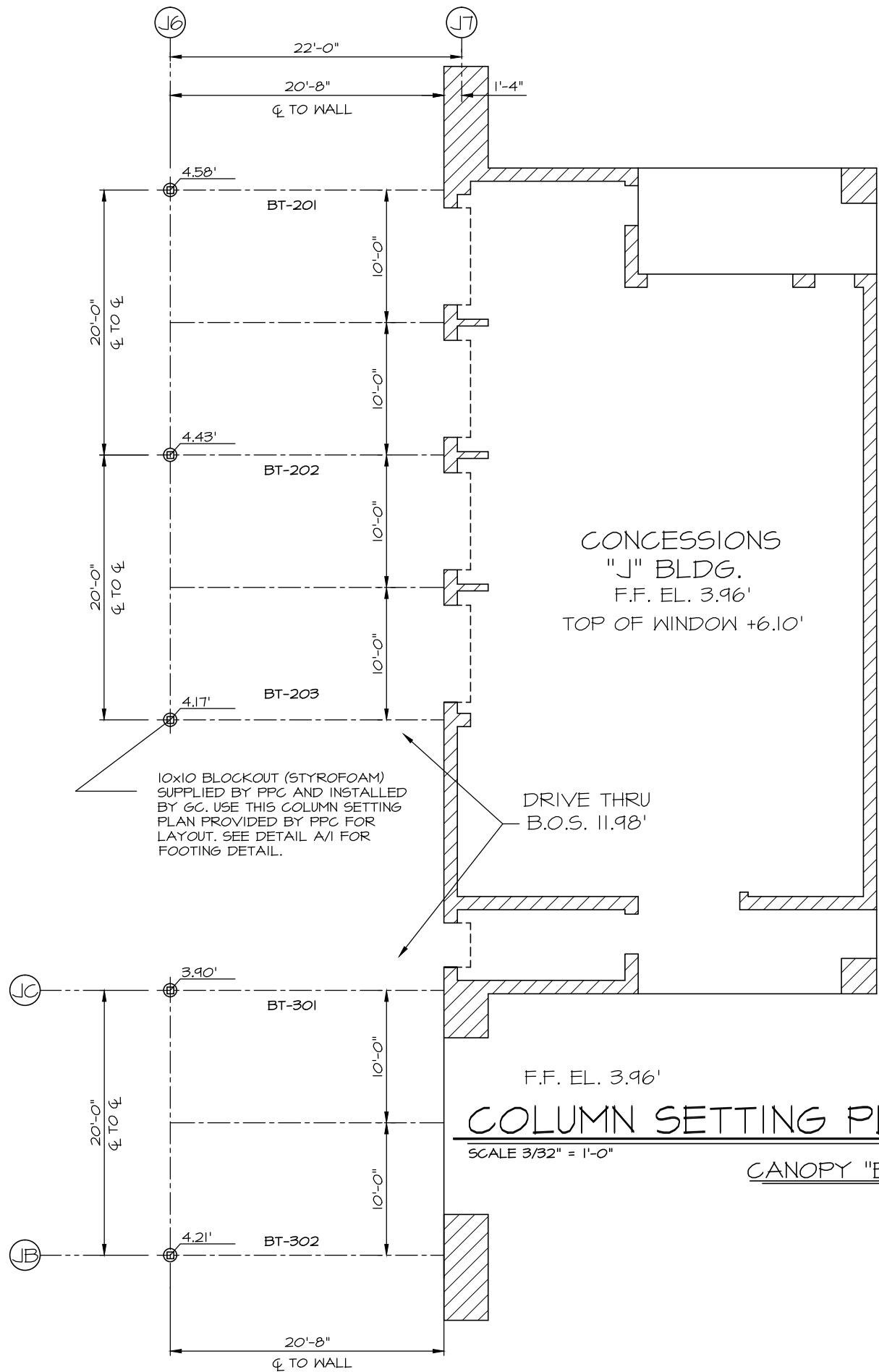
A ELEVATION

NOTE: SOME BACKGROUND DETAILS OMITTED FOR CLARITY.



B ELEVATION

NOTE: SOME BACKGROUND DETAILS OMITTED FOR CLARITY.



1477 ROSEDALE DRIVE HIRAM, GA 30141
PHONE (770) 439-2120
FAX (770) 439-2122

JOB NAME: KNIGHTDALE HIGH SCHOOL
LOCATION: RALEIGH, NC
ARCHITECT: BONEY ARCHITECTS
CONTRACTOR: R. N. ROUSE & COMPANY, INC.

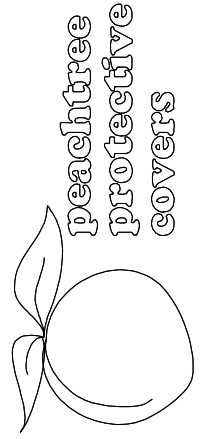
REVISIONS	
3/26/04	JCJ

DRAWN: DARA

SCALE: AS SHOWN

DATE: 8/4/03

JOB #
2771C.O.
SHT 3 OF 5



1477 ROSEDALE DRIVE HIRAM, GA 30141
 PHONE (770) 434-2120
 FAX (770) 434-2122

JOB NAME: KNIGHTDALE HIGH SCHOOL
 LOCATION: RALEIGH, NC
 ARCHITECT: BONEY ARCHITECTS
 CONTRACTOR: R. N. ROUSE & COMPANY, INC.

REVISIONS

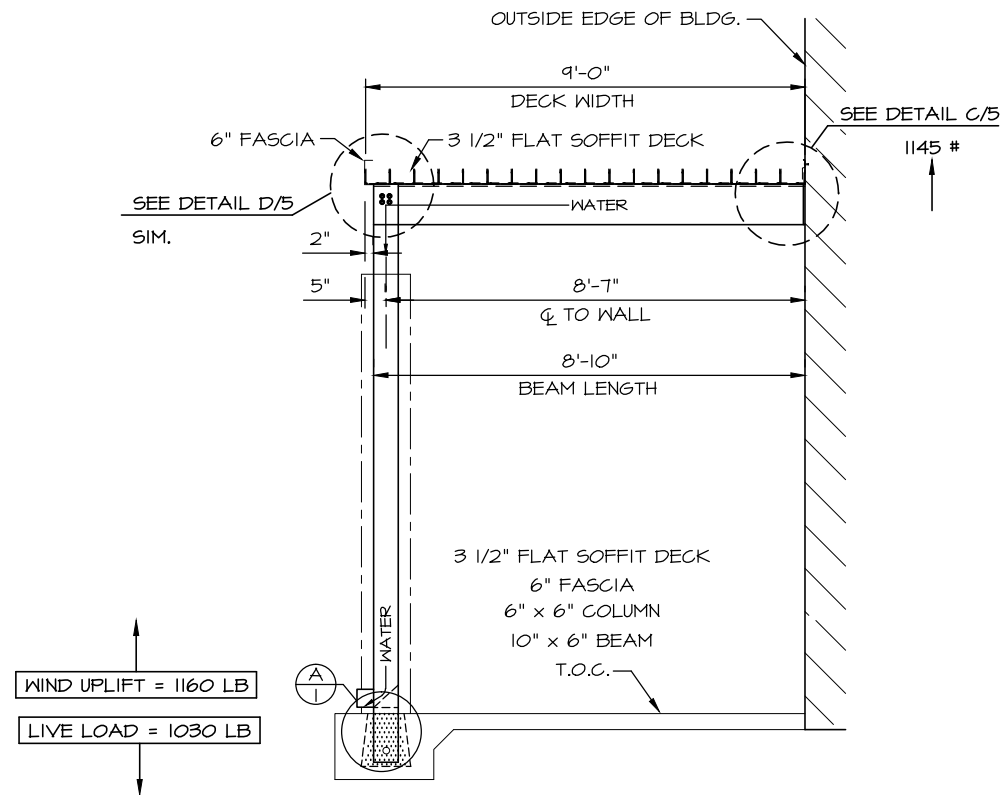
DRAWN: DARA

SCALE: AS SHOWN

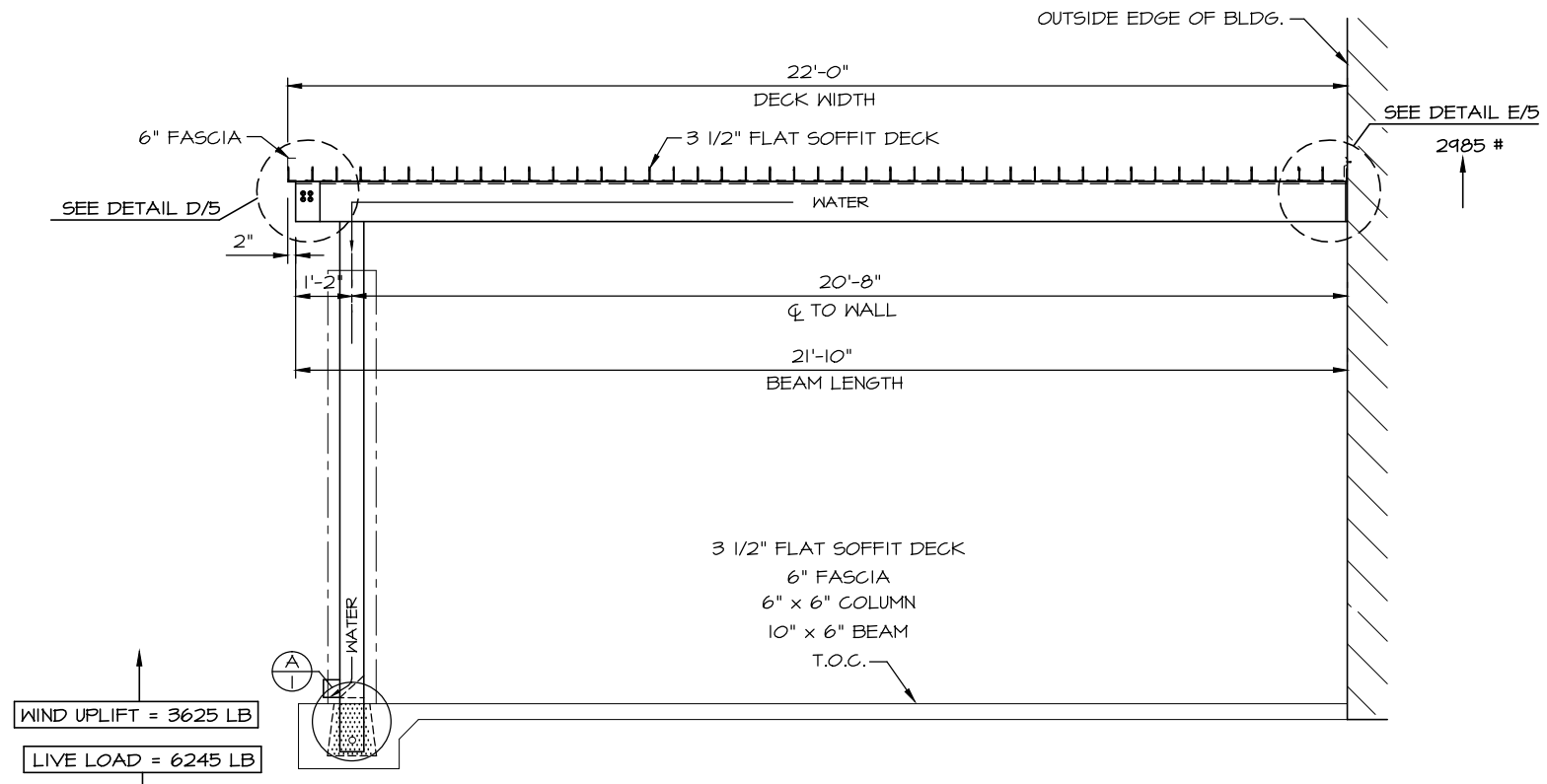
DATE: 8/4/03

JOB #
 2771C.0.

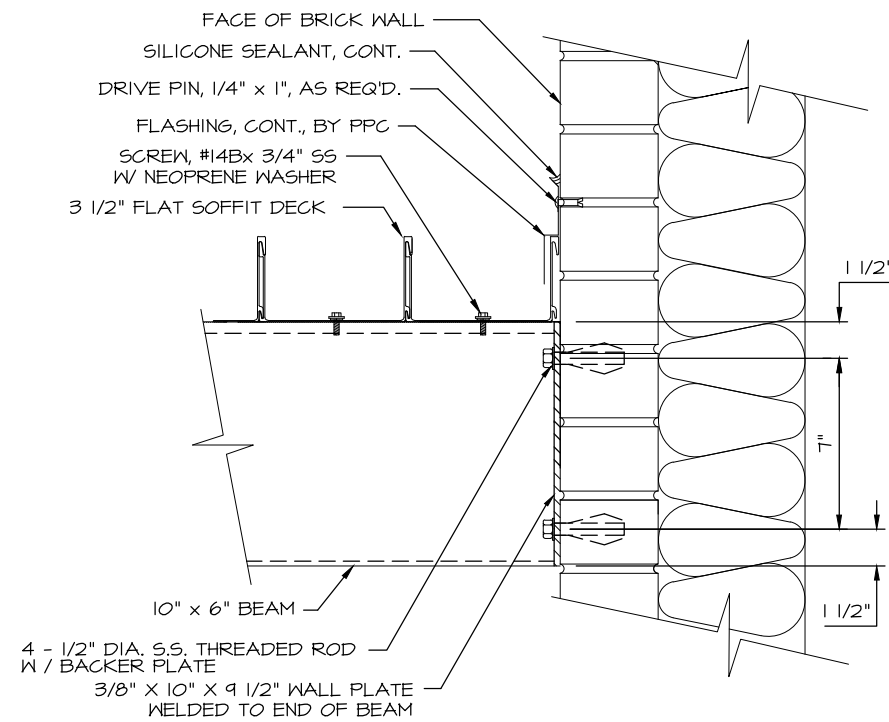
SHT 5 OF 5



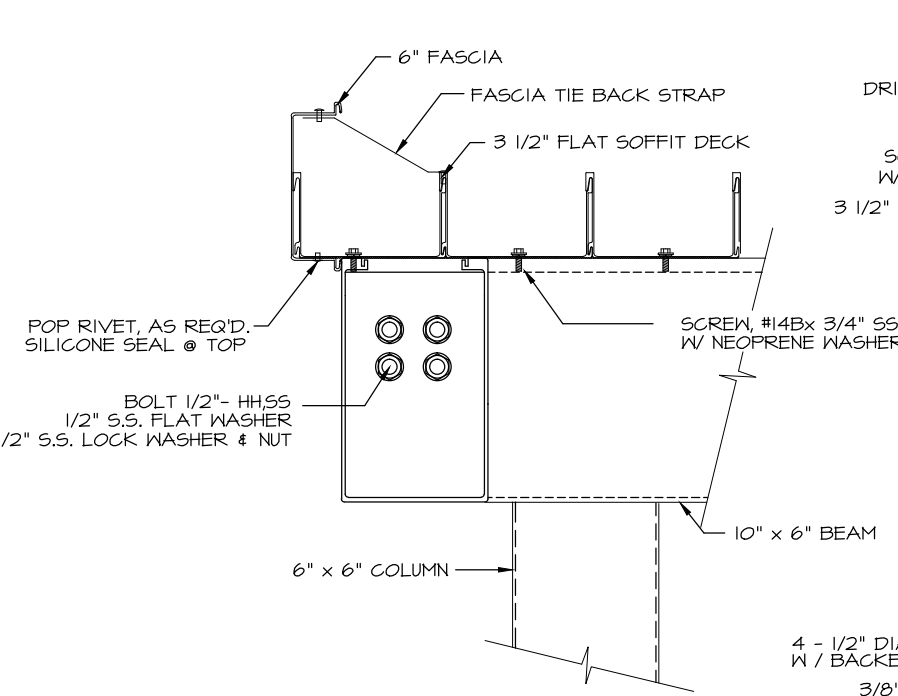
(A) SECTION
 5



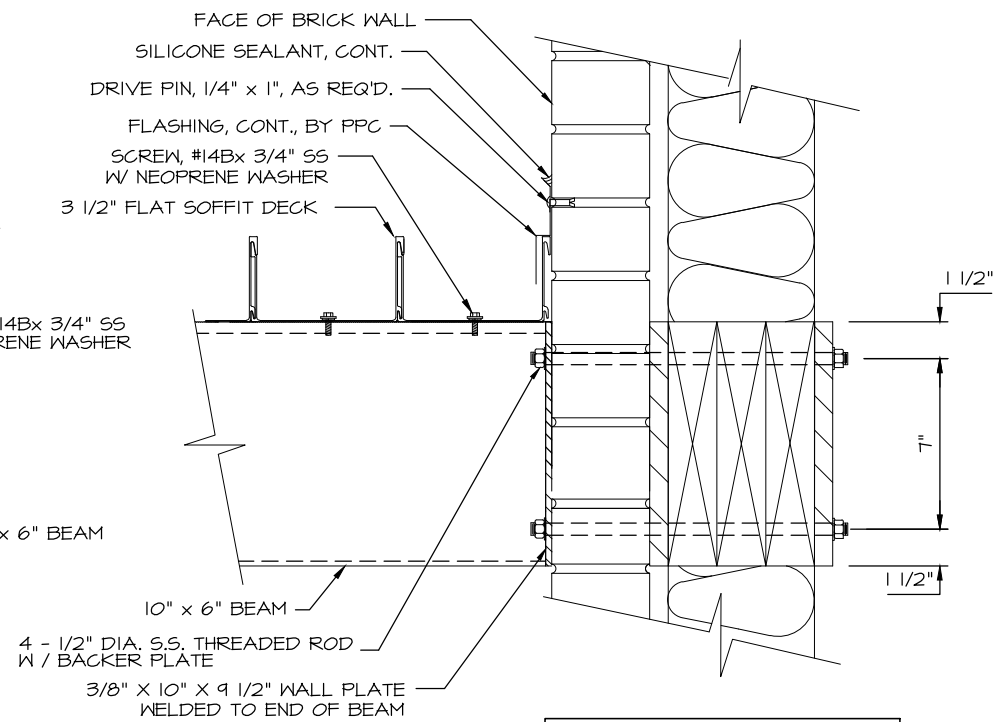
(B) SECTION
 5



(C) DETAIL
 5



(D) SECTION
 5



(E) DETAIL
 5

ARCHITECT/GC NOTE:
 ADDITIONAL BLOCKING
 AND/OR FRAMING REQUIRED IN
 WALL @ BEAM CONNECTION.
 PLEASE REVIEW AND ADVISE.