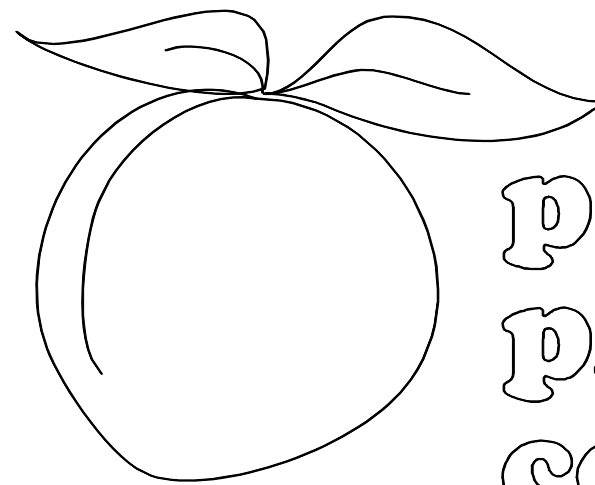


JOB # 3534



peachtree  
protective  
covers

KNOXVILLE CANCER CENTER

KNOXVILLE, TN

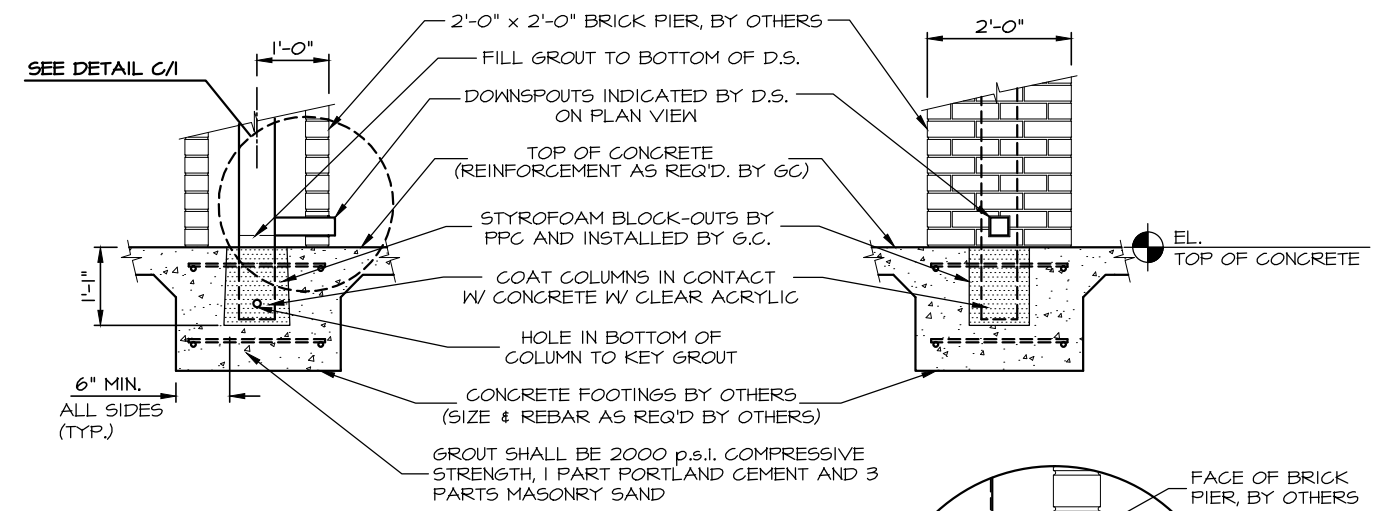
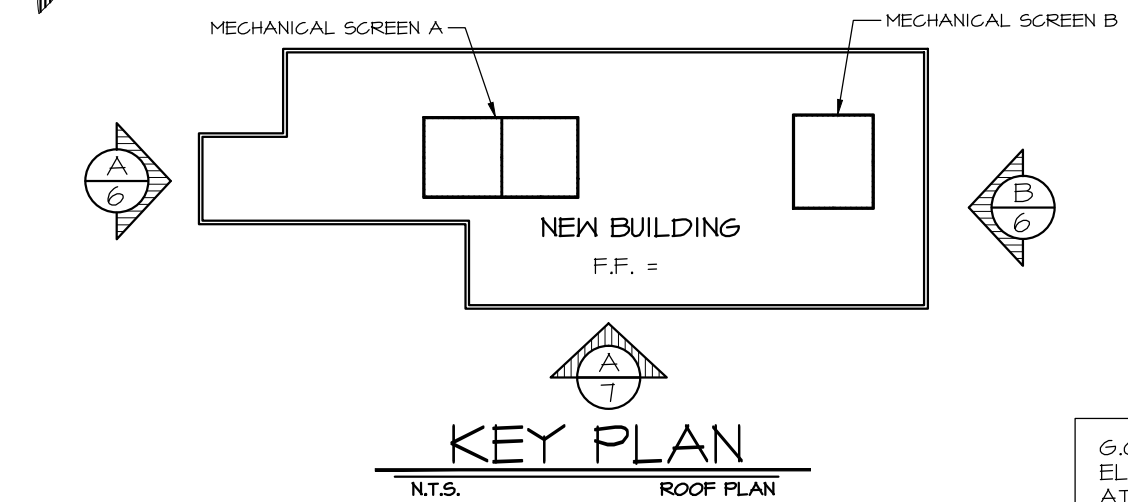
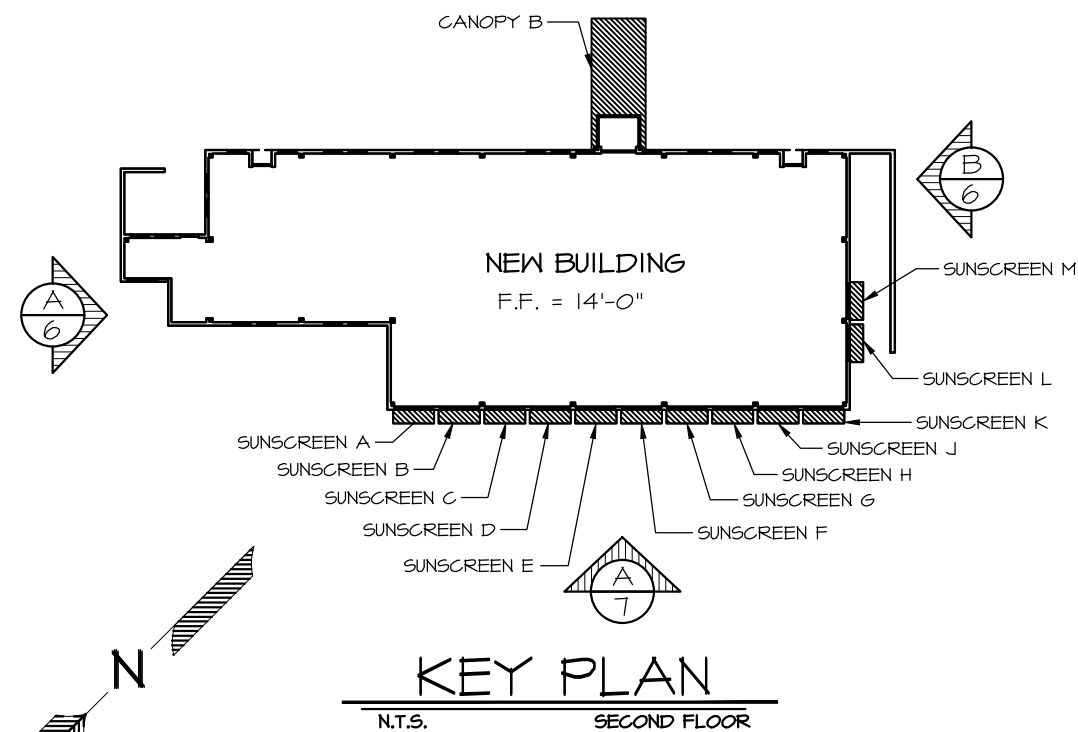
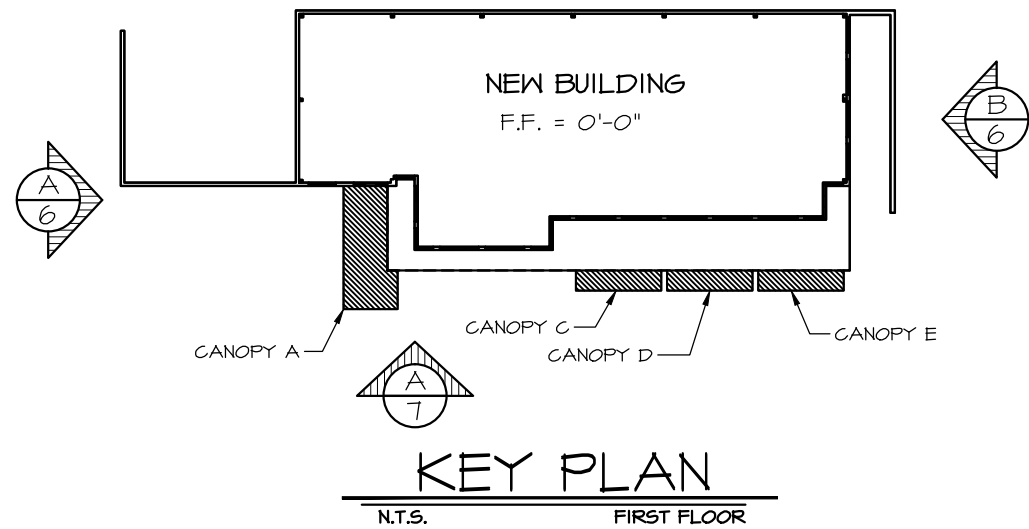
BY

COPE ASSOCIATES, INC.

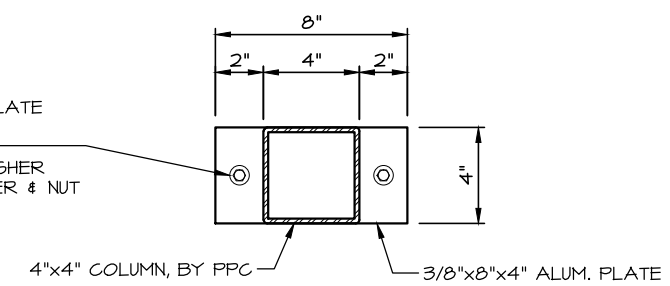
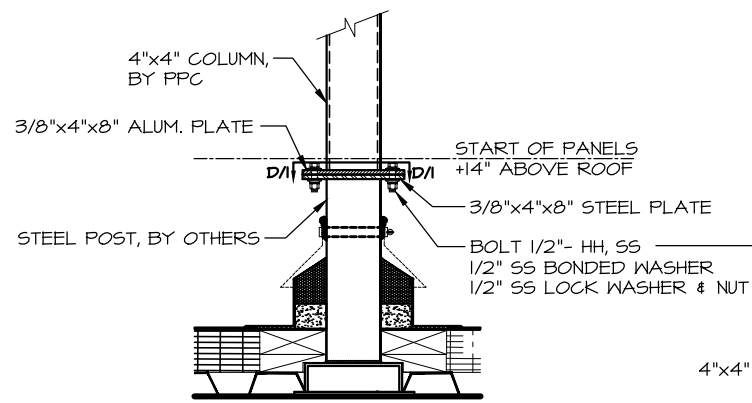
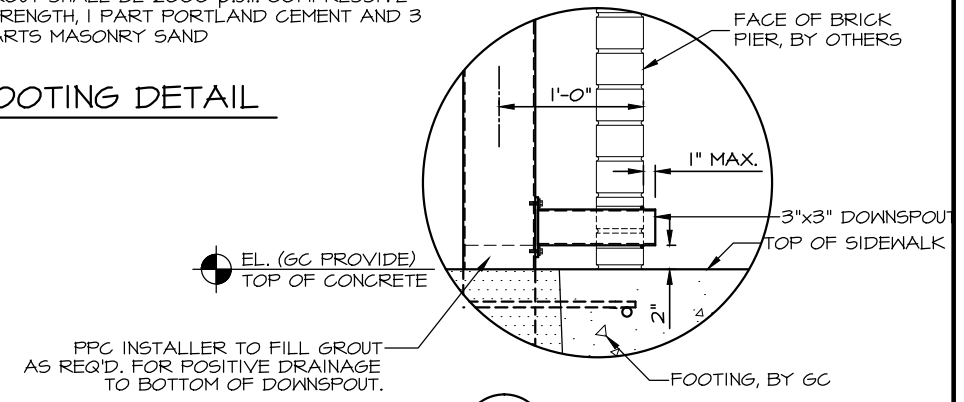
JANUARY 09, 2006

NOTE:  
PEACHTREE PROTECTIVE COVERS RESERVES  
THE RIGHT TO INSTALL MECHANICAL JOINTS  
IN COLUMNS THAT EXCEED SHIPPING LIMITATIONS.

1477 ROSEDALE DRIVE  
HIRAM, GA 30141  
(770) 439-2120  
fax (770) 439-2122



INSTALLER NOTE:  
ISOLATION MATERIAL REQUIRED BETWEEN STEEL & ALUMINUM



peachtree protective covers  
1477 ROSEDALE DRIVE PHONE (770) 494-2120  
HIRAM, GA 30141 FAX (770) 494-2122

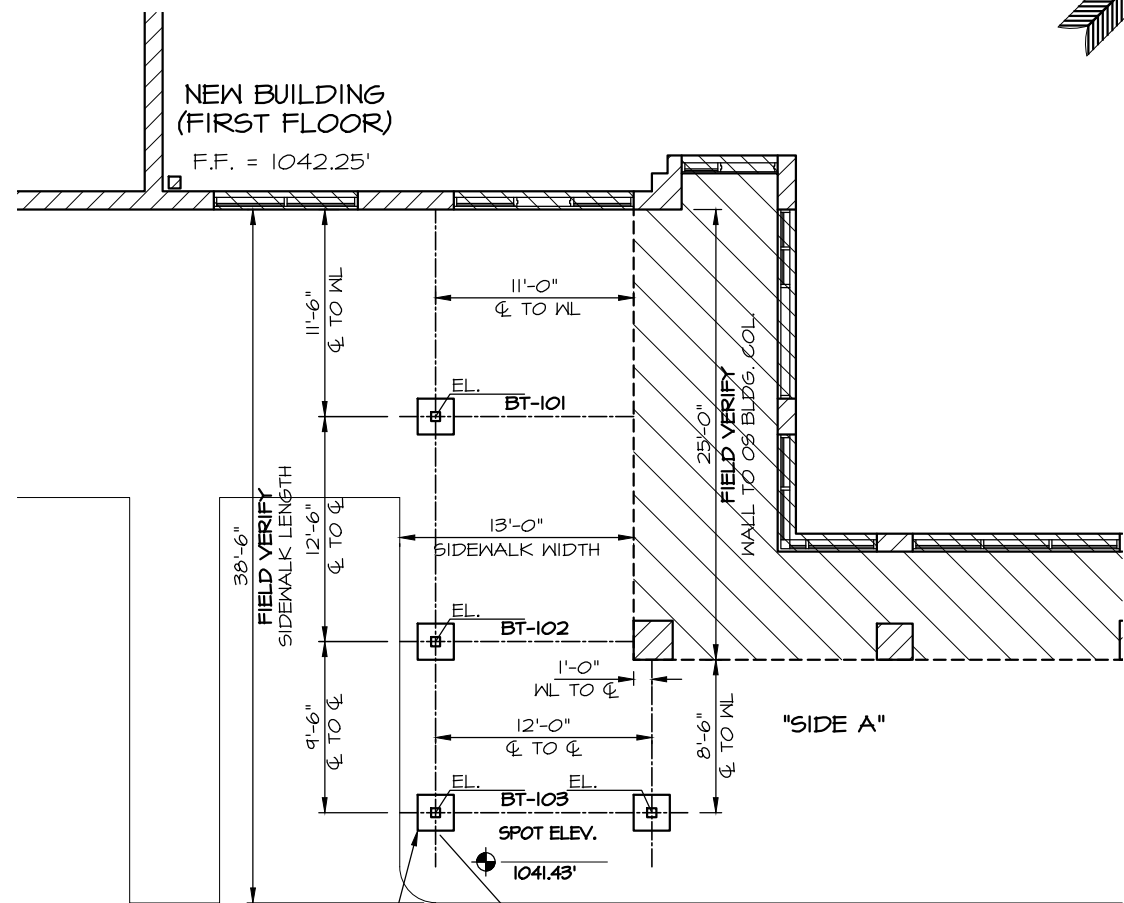
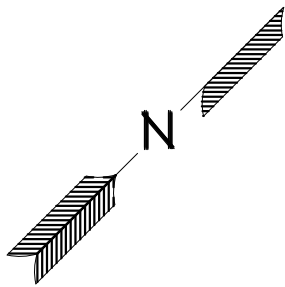
JOB NAME: KNOXVILLE CANCER CENTER  
LOCATION: KNOXVILLE, TN  
ARCHITECT: COPE ASSOCIATES, INC.  
CONTRACTOR: CONSTRUCTION PLUS

FINISH SCHEDULE		
DESCRIPTION	FINISH	COLOR
3" DECK	ANODIZED	CLEAR, CLASS II
6" FASCIA	ANODIZED	CLEAR, CLASS II
4"x4" COLUMN	ANODIZED	CLEAR, CLASS II
6"x6" COLUMN	ANODIZED	CLEAR, CLASS II
6"x4" BEAM	ANODIZED	CLEAR, CLASS II
6"x6" BEAM	ANODIZED	CLEAR, CLASS II
10"x6" BEAM	ANODIZED	CLEAR, CLASS II
1 1/2"x1 1/2" HANGER TUBE	ANODIZED	CLEAR, CLASS II
6"x2" SELF MATING CHANNEL	ANODIZED	CLEAR, CLASS II
7" C-BLADE	ANODIZED	CLEAR, CLASS II

REVISIONS

DRAWN: LISA  
SCALE: AS SHOWN  
DATE: 2/11/05  
JOB #  
**3534**  
SHT 1 OF 15

G.C. TO PROVIDE ELEVATIONS FOR TOP OF FOOTING AT EACH COLUMN LOCATION.



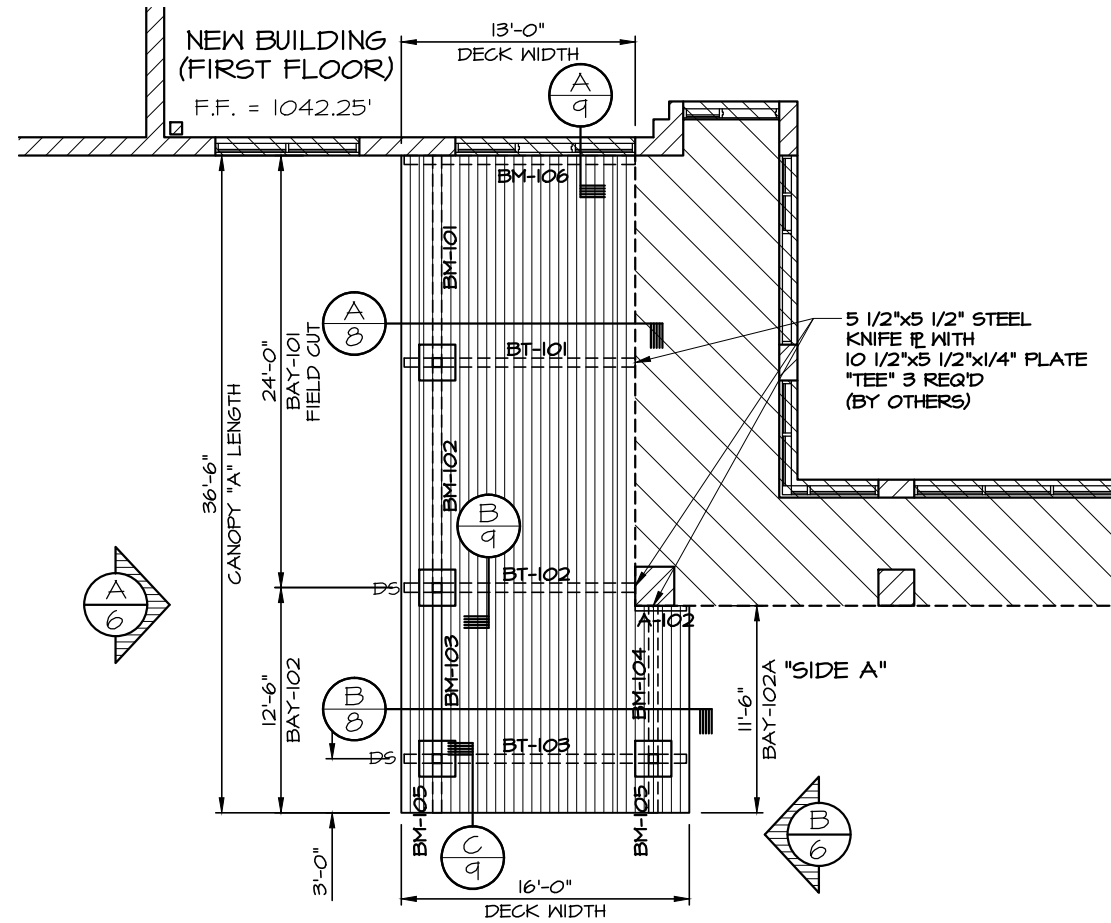
2'-0"x2'-0" BRICK  
PIER, BY OTHERS

10x10 BLOCKOUT (STYROFOAM)  
SUPPLIED BY PPC AND INSTALLED  
BY GC. USE THIS COLUMN SETTING PLAN  
PROVIDED BY PPC FOR LAYOUT.  
SEE DETAIL A/1 FOR FOOTING DETAIL.

### COLUMN SETTING PLAN

SCALE: 3/32"=1'-0"

CANOPY A



### DECK PLAN

SCALE: 3/32"=1'-0"

CANOPY A



1477 ROSEDALE DRIVE PHONE (770) 494-2120  
HIRAM, GA 30141 FAX (770) 434-2122

JOB NAME: KNOXVILLE CANCER CENTER

LOCATION: KNOXVILLE, TN

ARCHITECT: COPE ASSOCIATES, INC.

CONTRACTOR: CONSTRUCTION PLUS

#### REVISIONS

3/31/05 LKA	

DRAWN: LISA

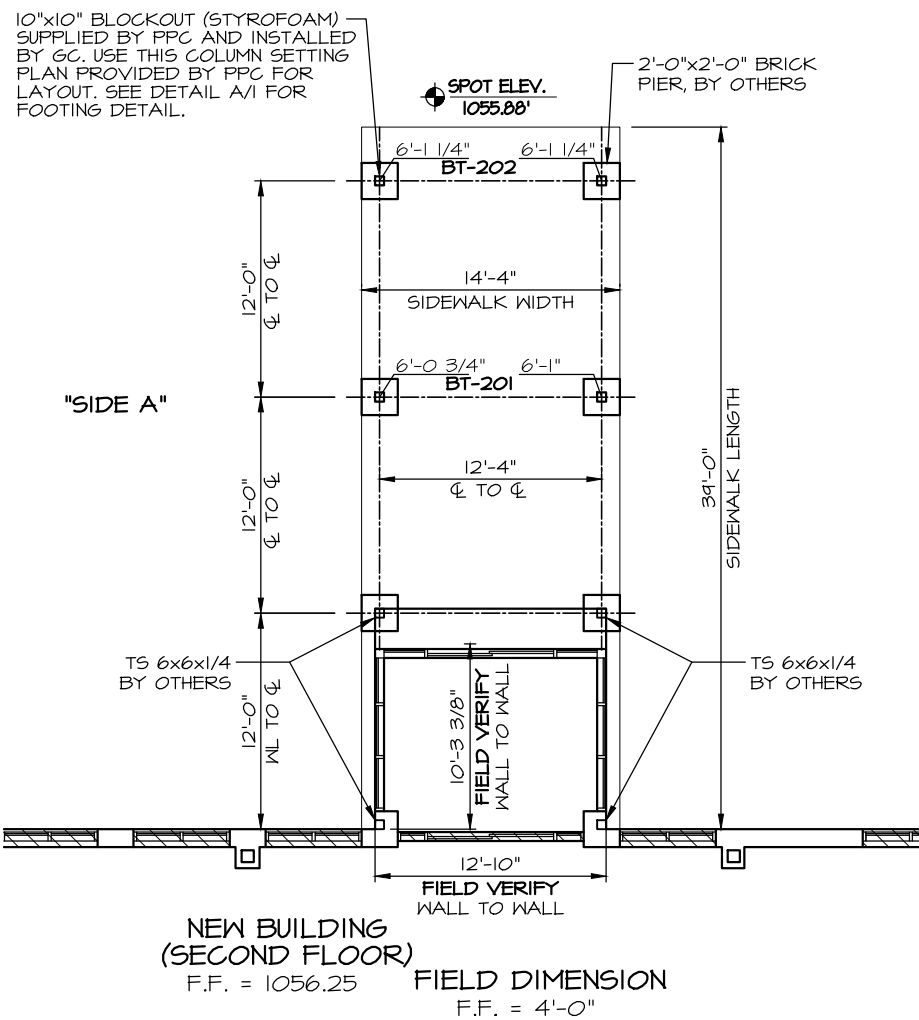
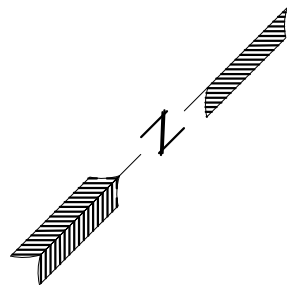
SCALE: AS SHOWN

DATE: 2/11/05

JOB #

3534

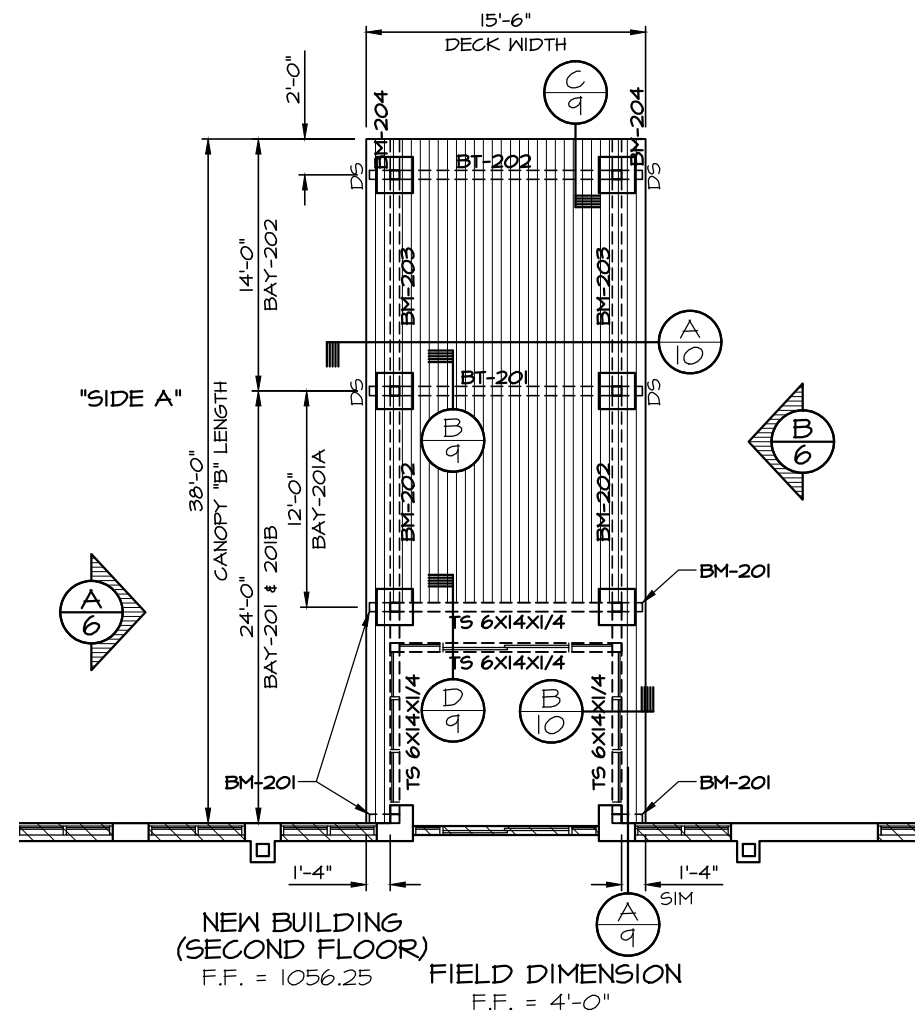
SHT 2 OF 15



FIELD DIMENSION  
F.F. = 3.80'  
T.O.S. +6.20'

**COLUMN SETTING PLAN**

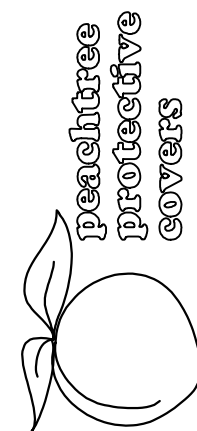
SCALE: 3/32"=1'-0" CANOPY B



FIELD DIMENSION  
F.F. = 3.80'  
T.O.S. +6.20'

**DECK PLAN**

SCALE: 3/32"=1'-0" CANOPY B



peachtree protective covers  
1477 ROSEDALE DRIVE HIRAM, GA 30141  
PHONE (770) 434-2120 FAX (770) 434-2122

JOB NAME: KNOXVILLE CANCER CENTER  
LOCATION: KNOXVILLE, TN  
ARCHITECT: COPE ASSOCIATES, INC.  
CONTRACTOR: CONSTRUCTION PLUS

**REVISIONS**

3/31/05 LKA	

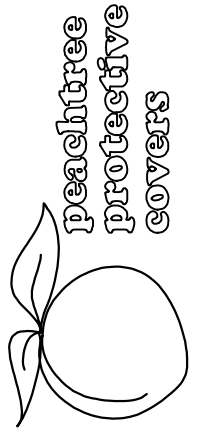
DRAWN: LISA

SCALE: AS SHOWN

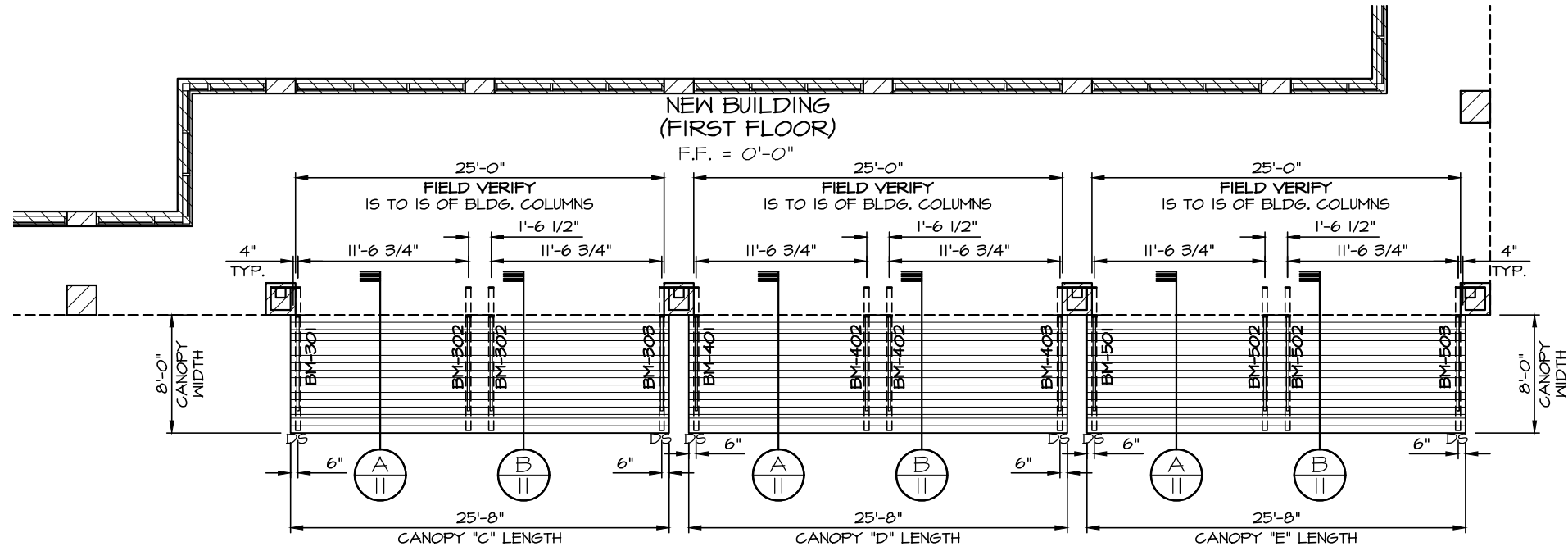
DATE: 2/11/05

JOB #  
**3534**

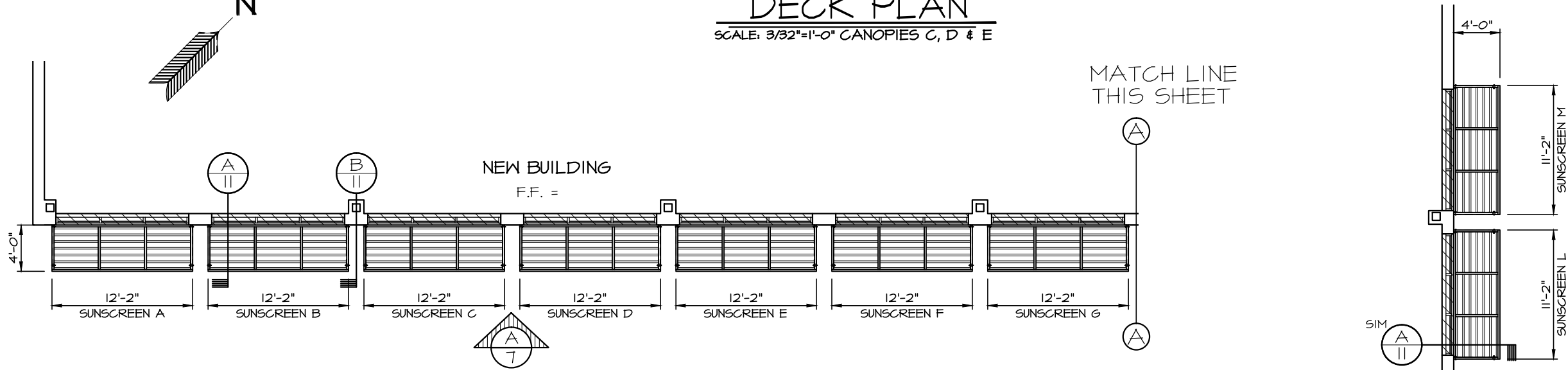
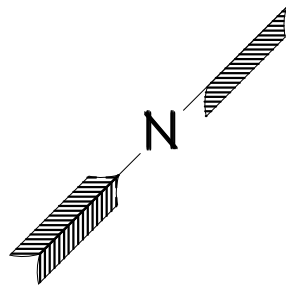
SHT 3 OF 15



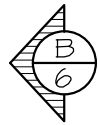
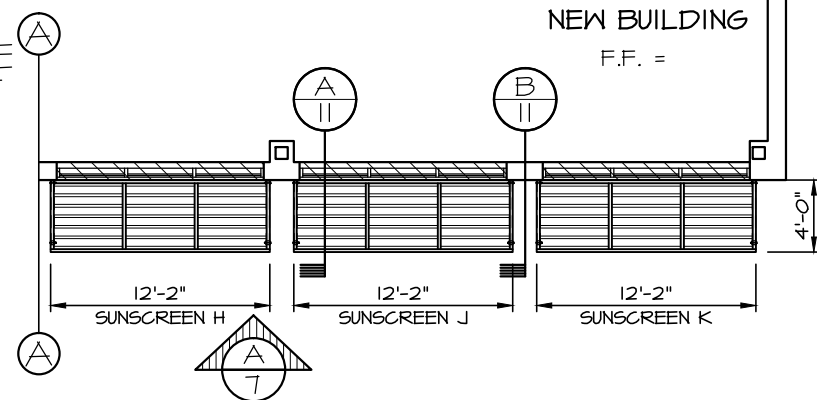
peachtree protective covers  
 1477 ROSEDALE DRIVE PHONE (770) 494-2120  
 HIRAM, GA 30141 FAX (770) 494-2122



**DECK PLAN**  
 SCALE: 3/32"=1'-0" CANOPIES C, D & E



**SUNSCREEN PLAN VIEW**  
 SCALE: 3/32"=1'-0" SUNSCREENS A-M



JOB NAME: KNOXVILLE CANCER CENTER  
 LOCATION: KNOXVILLE, TN  
 ARCHITECT: COPE ASSOCIATES, INC.  
 CONTRACTOR: CONSTRUCTION PLUS

REVISIONS

NO.	DESCRIPTION

DRAWN: LISA

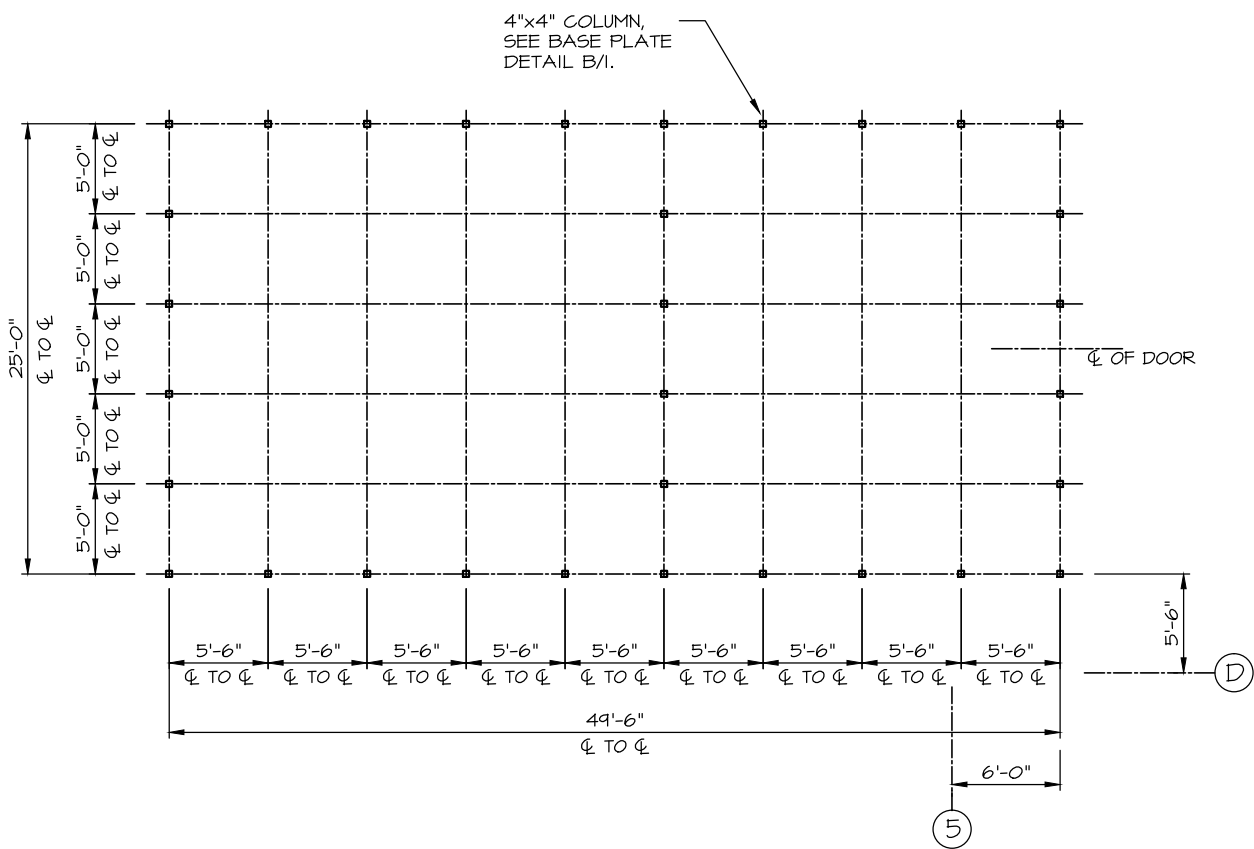
SCALE: AS SHOWN

DATE: 2/11/05

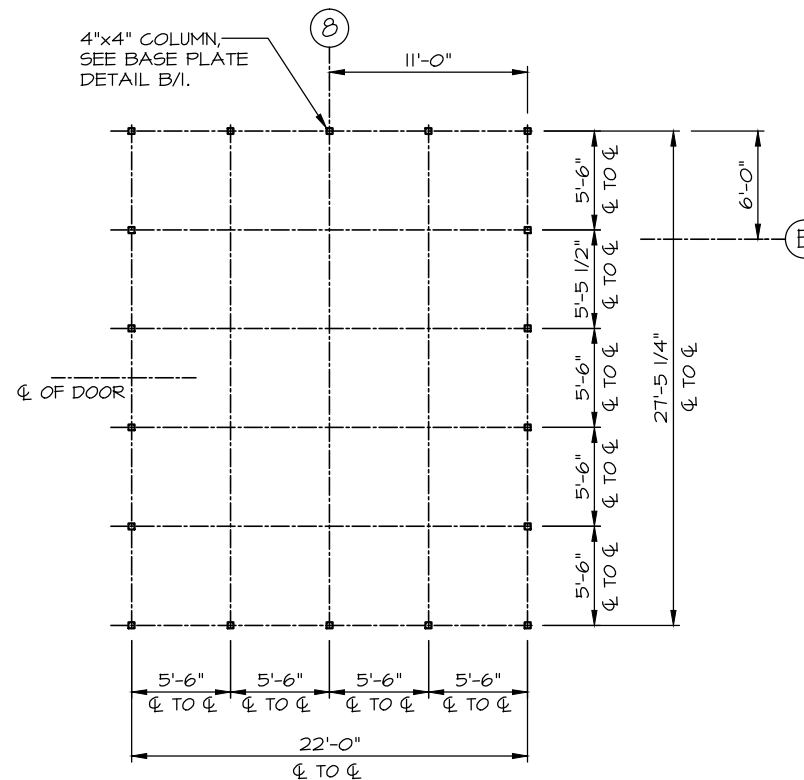
JOB #

**3534**

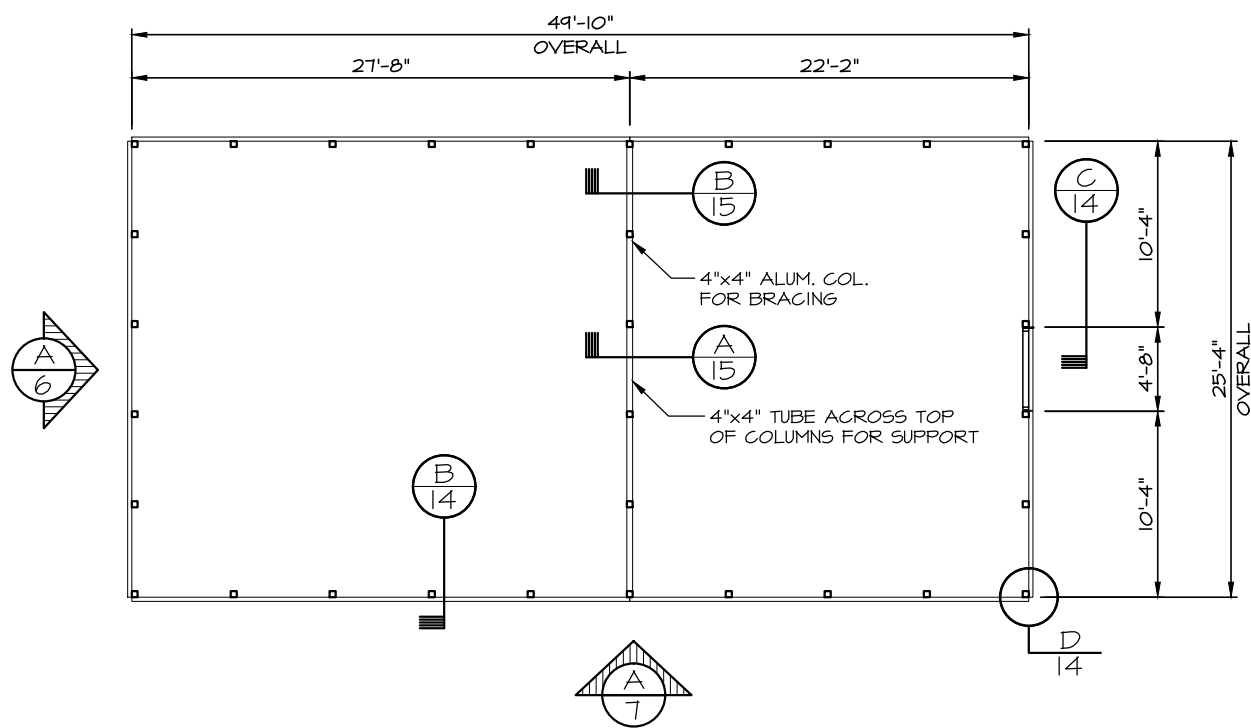
SHT 4 OF 15



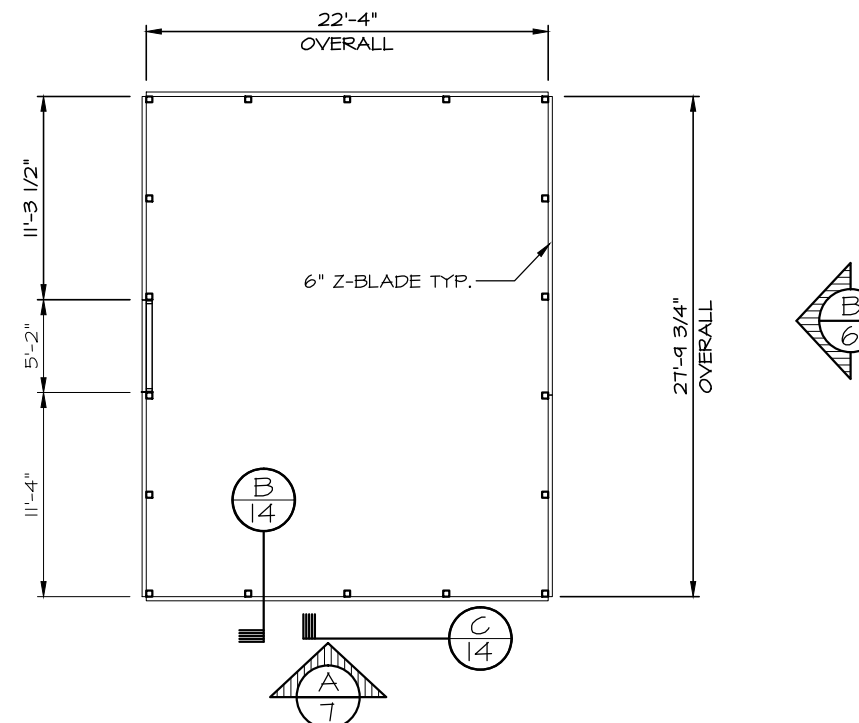
**COLUMN SETTING PLAN**  
SCALE: 3/32"=1'-0" MECHANICAL SCREEN A



**COLUMN SETTING PLAN**  
SCALE: 3/32"=1'-0" MECHANICAL SCREEN B



**MECHANICAL SCREEN PLAN**  
SCALE: 3/32"=1'-0" MECHANICAL SCREEN A



**MECHANICAL SCREEN PLAN**  
SCALE: 3/32"=1'-0" MECHANICAL SCREEN B



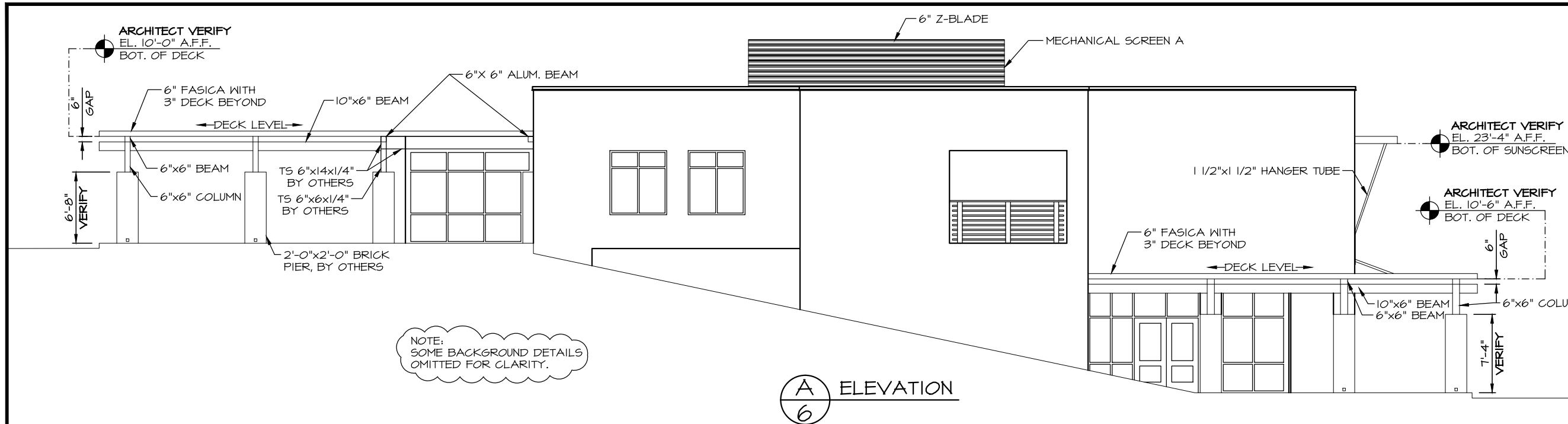
peachtree  
protective  
covers  
1477 ROSEDALE DRIVE PHONE (770) 434-2120  
HIRAM, GA 30141 FAX (770) 434-2122

JOB NAME: KNOXVILLE CANCER CENTER  
LOCATION: KNOXVILLE, TN  
ARCHITECT: COPE ASSOCIATES, INC.  
CONTRACTOR: CONSTRUCTION PLUS

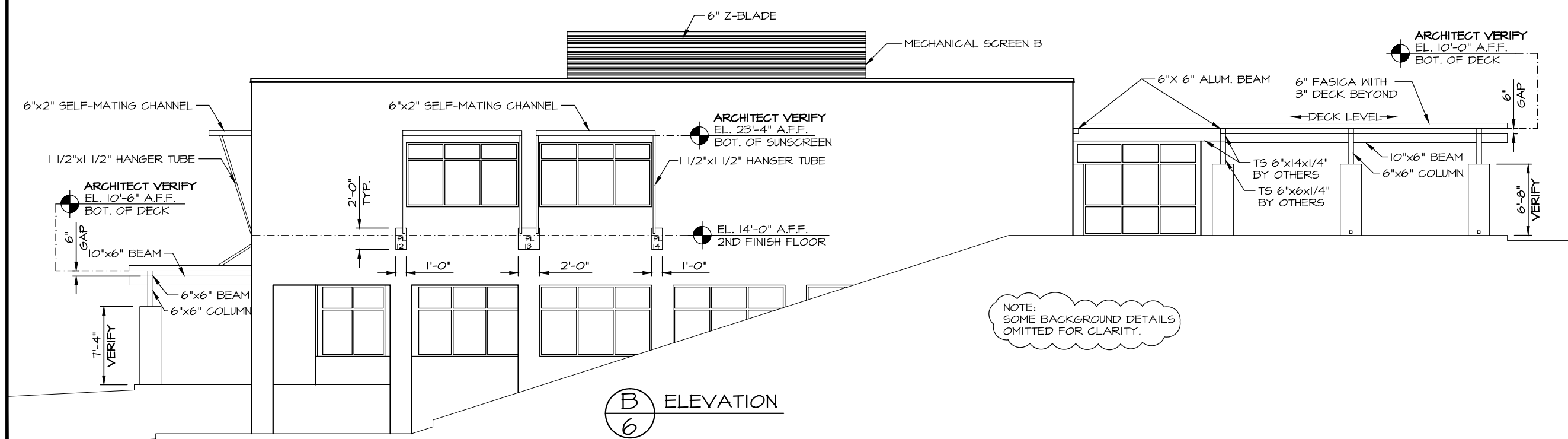
REVISIONS	
3/31/05 LKA	

DRAWN: LISA  
SCALE: AS SHOWN  
DATE: 2/11/05

JOB #  
**3534**  
SHT 5 OF 15



**A**  
6 ELEVATION



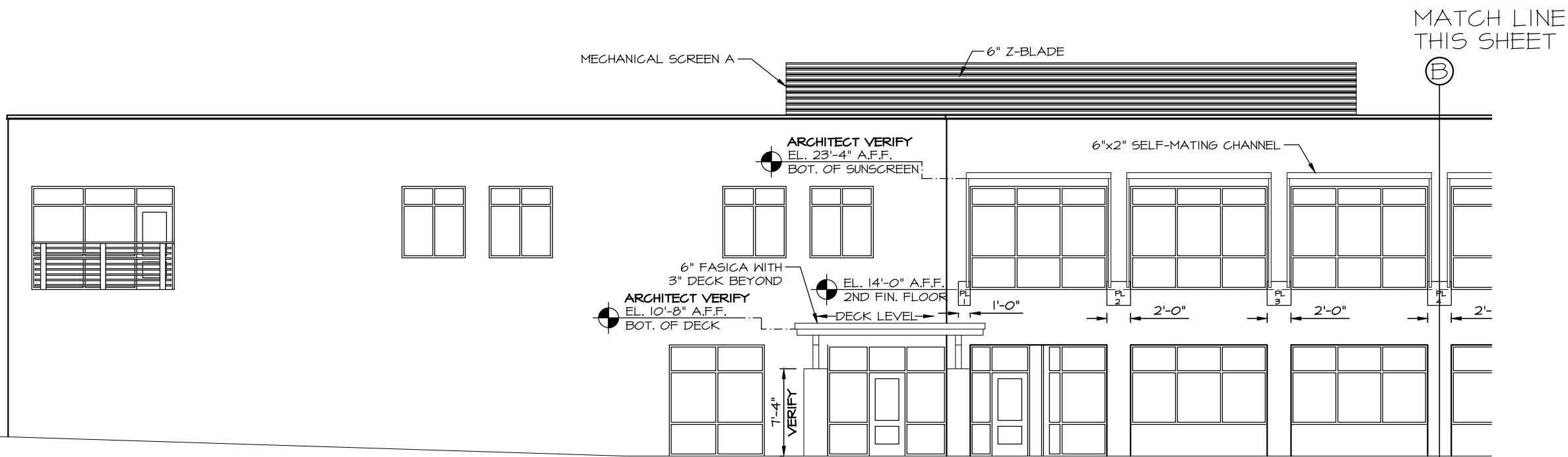
**B**  
6 ELEVATION

peachtree protective covers

1477 ROSEDALE DRIVE PHONE (770) 494-2120  
HIRAM, GA 30141 FAX (770) 494-2122

JOB NAME: KNOXVILLE CANCER CENTER  
LOCATION: KNOXVILLE, TN  
ARCHITECT: COPE ASSOCIATES, INC.  
CONTRACTOR: CONSTRUCTION PLUS

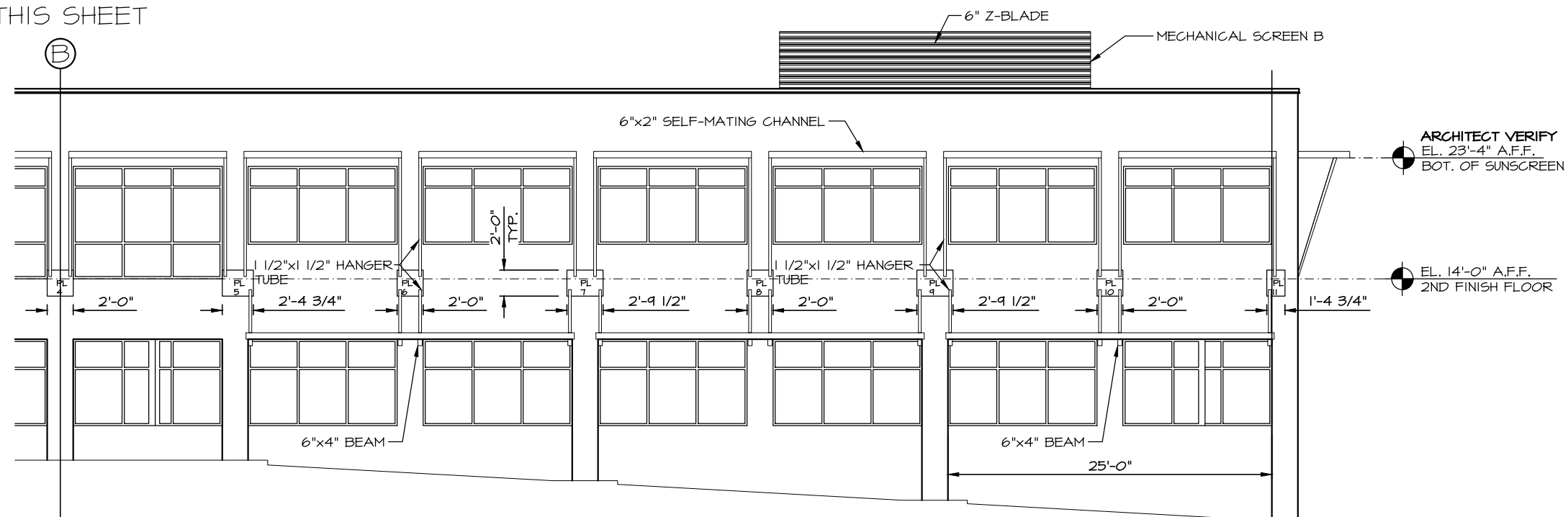
REVISIONS	
3/31/05 LKA	
4/26/05 LKA	
DRAWN: LISA	
SCALE: AS SHOWN	
DATE: 2/11/05	
JOB #	
3534	
SHT 6 OF 15	



**A**  
7  
ELEVATION

NOTE:  
SOME BACKGROUND DETAILS  
OMITTED FOR CLARITY.

MATCH LINE  
THIS SHEET



**A**  
7  
ELEVATION

NOTE:  
SOME BACKGROUND DETAILS  
OMITTED FOR CLARITY.



1477 ROSEDALE DRIVE PHONE (770) 494-2120  
HIRAM, GA 30141 FAX (770) 494-2122

JOB NAME: KNOXVILLE CANCER CENTER  
LOCATION: KNOXVILLE, TN  
ARCHITECT: COPE ASSOCIATES, INC.  
CONTRACTOR: CONSTRUCTION PLUS

REVISIONS

3/31/05 LKA	
4/26/05 LKA	

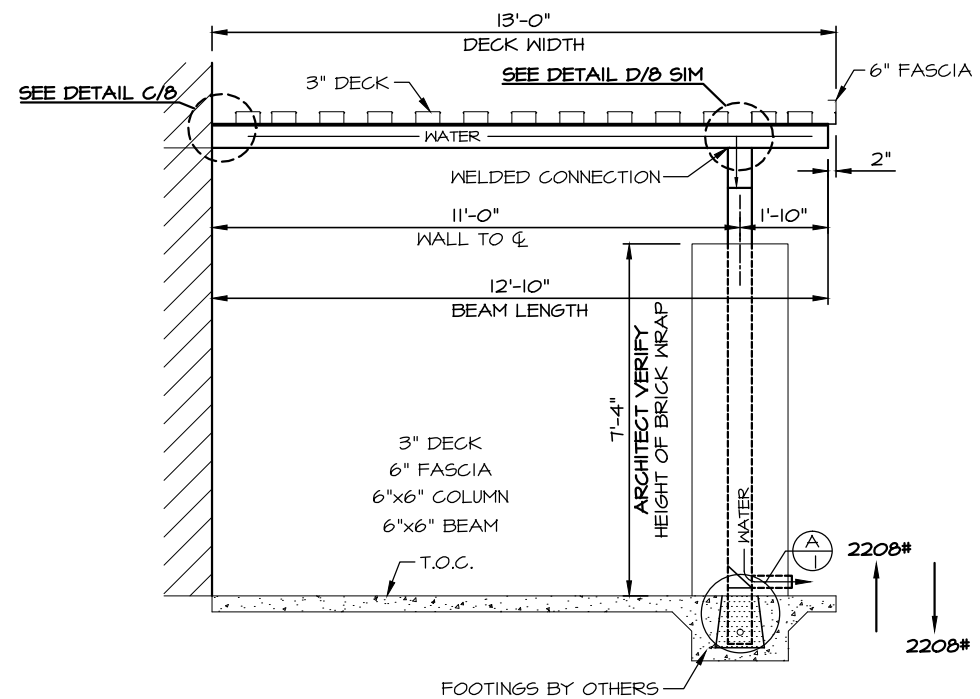
DRAWN: LISA

SCALE: AS SHOWN

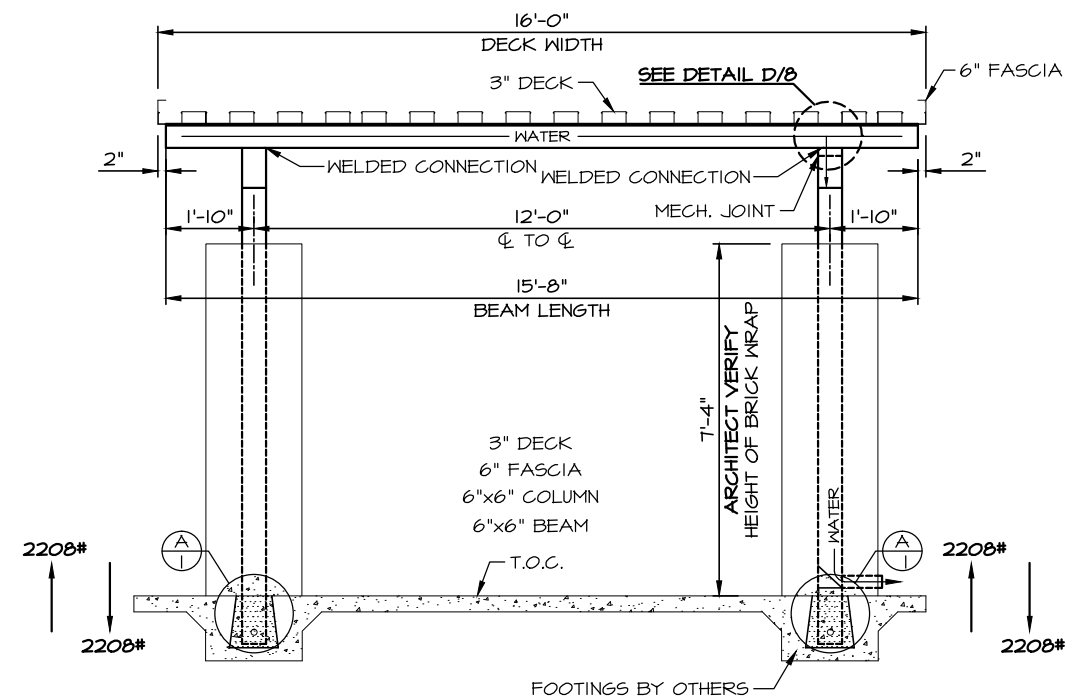
DATE: 2/11/05

JOB #  
**3534**  
SHT 7 OF 15

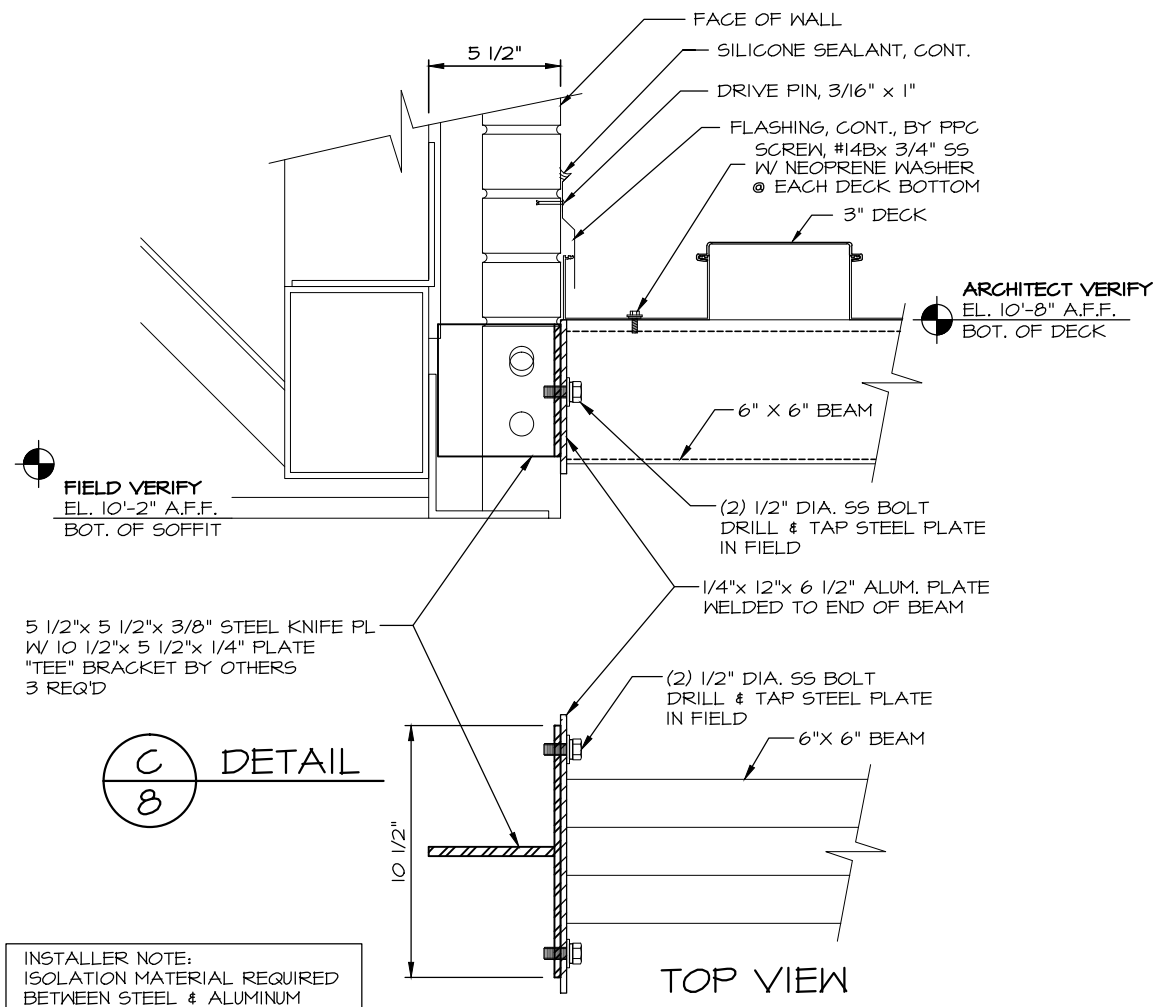




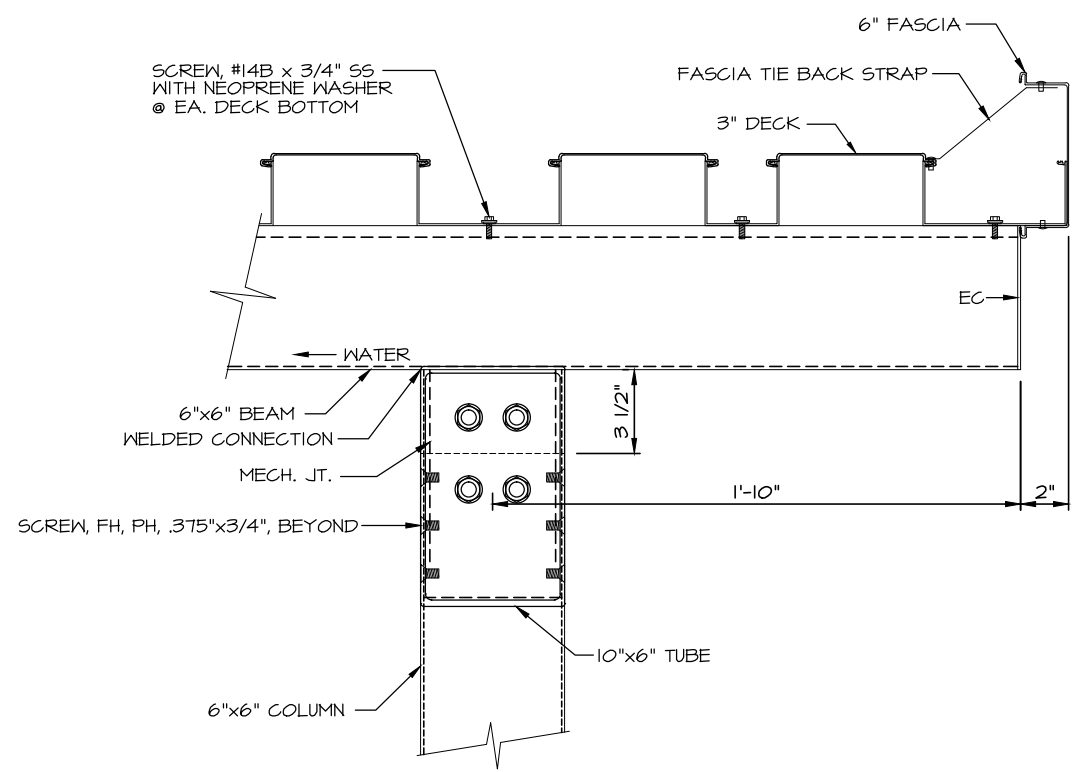
**A**  
SECTION  
**8**



**B**  
SECTION  
**8**



**C**  
DETAIL  
**8**



**D**  
DETAIL  
**8**

INSTALLER NOTE:  
ISOLATION MATERIAL REQUIRED  
BETWEEN STEEL & ALUMINUM



1477 ROSEDALE DRIVE PHONE (770) 494-2120  
HIRAM, GA 30141 FAX (770) 494-2122

JOB NAME: KNOXVILLE CANCER CENTER  
LOCATION: KNOXVILLE, TN  
ARCHITECT: COPE ASSOCIATES, INC.  
CONTRACTOR: CONSTRUCTION PLUS

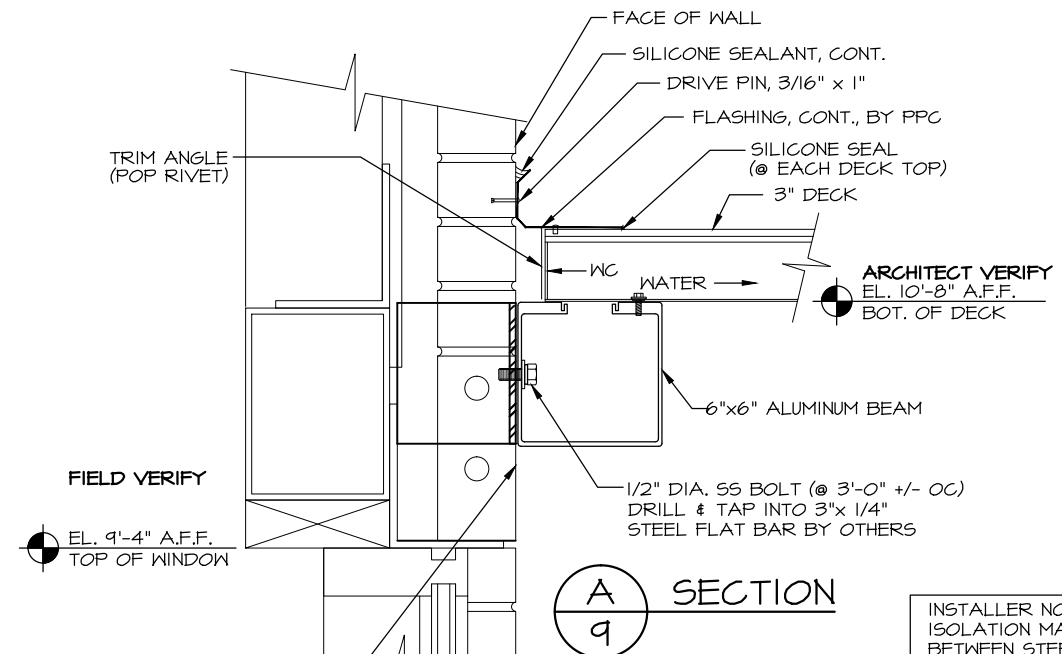
REVISIONS	
3/31/05 LKA	
DRAWN: LISA	
SCALE: AS SHOWN	
DATE: 2/11/05	
JOB #	
<b>3534</b>	
SHT 8 OF 15	



1477 ROSEDALE DRIVE PHONE (770) 434-2120  
HIRAM, GA 30141 FAX (770) 434-2122

JOB NAME: KNOXVILLE CANCER CENTER  
LOCATION: KNOXVILLE, TN  
ARCHITECT: COPE ASSOCIATES, INC.  
CONTRACTOR: CONSTRUCTION PLUS

REVISIONS	
3/31/05 LKA	
4/26/05 LKA	
DRAWN: LISA	
SCALE: AS SHOWN	
DATE: 2/11/05	
JOB #	
3534	
SHT 9 OF 15	

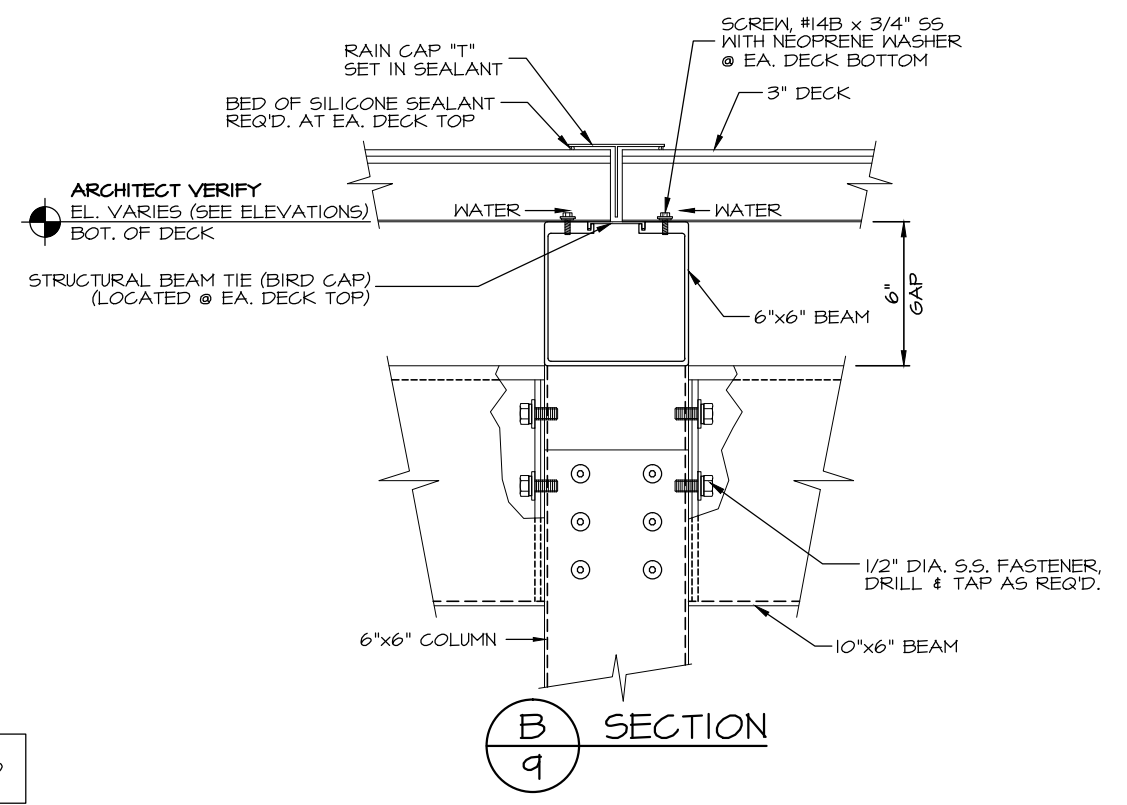


FIELD VERIFY  
EL. 9'-4\"/>

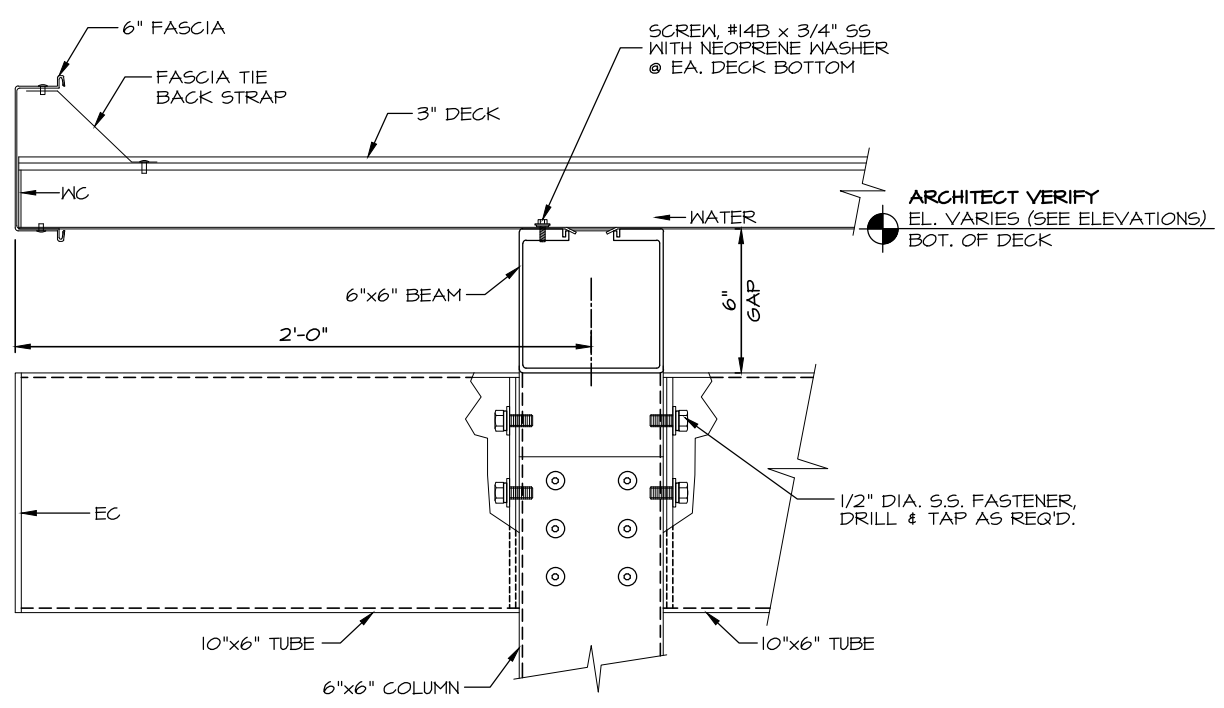
**A**  
SECTION  
9

INSTALLER NOTE:  
ISOLATION MATERIAL REQUIRED  
BETWEEN STEEL & ALUMINUM

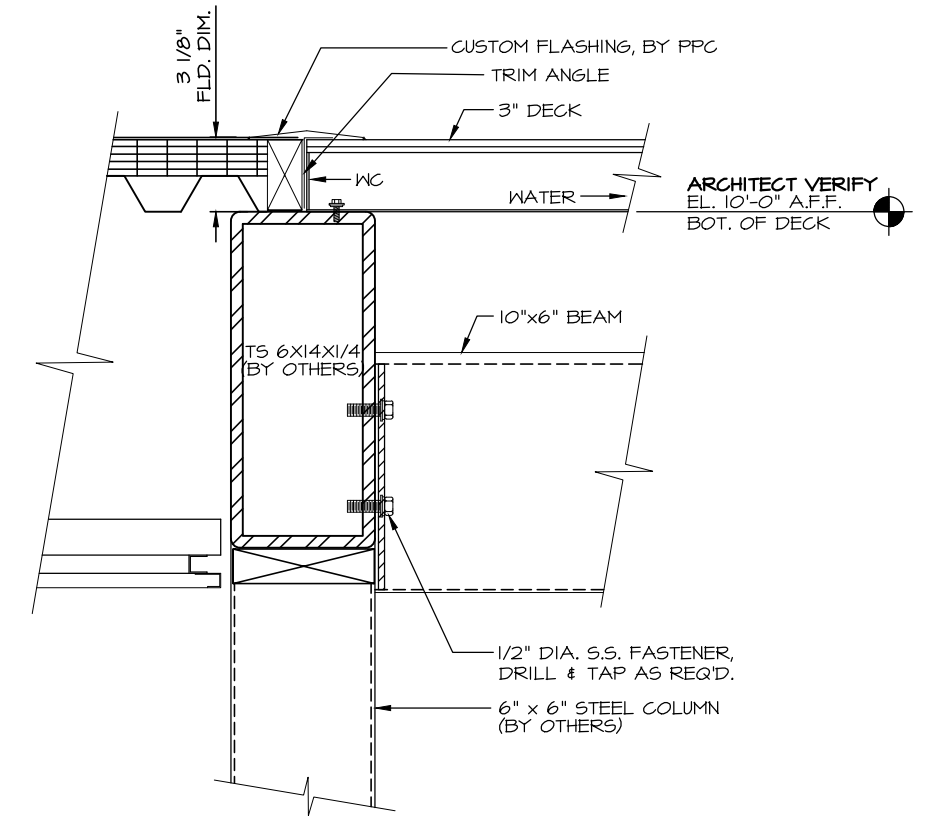
8"x 5 1/2"x 3/8" STEEL KNIFE PL  
BY OTHERS. INSTALL @ 32" O.C. (IN  
MASONRY JOINT) 3" X 1/4" STEEL  
FLAT BAR BY OTHERS, CONT. FOR  
WIDTH OF CANOPY



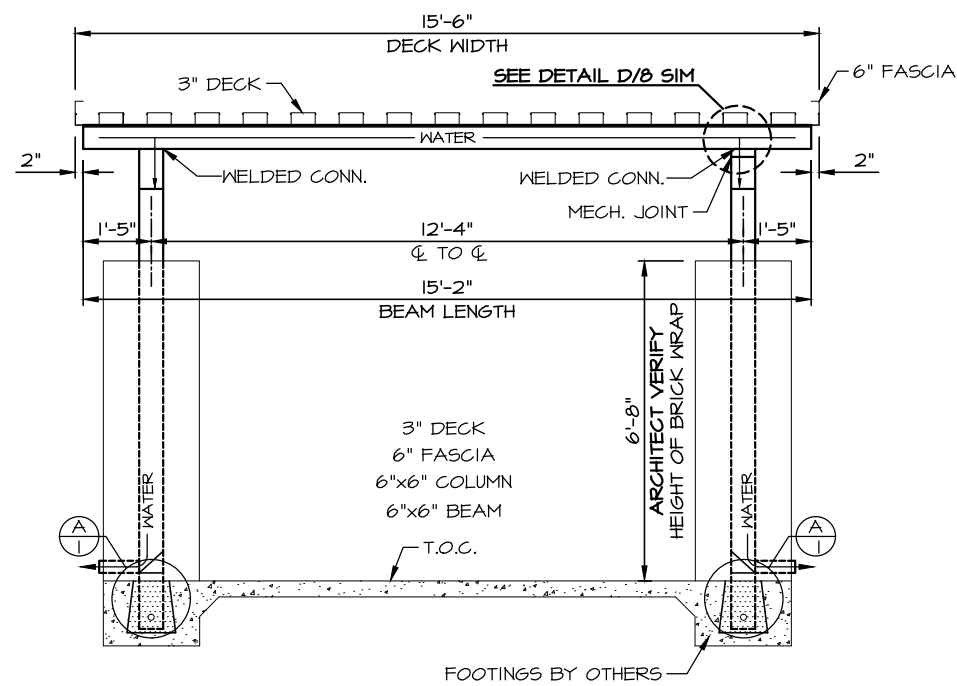
**B**  
SECTION  
9



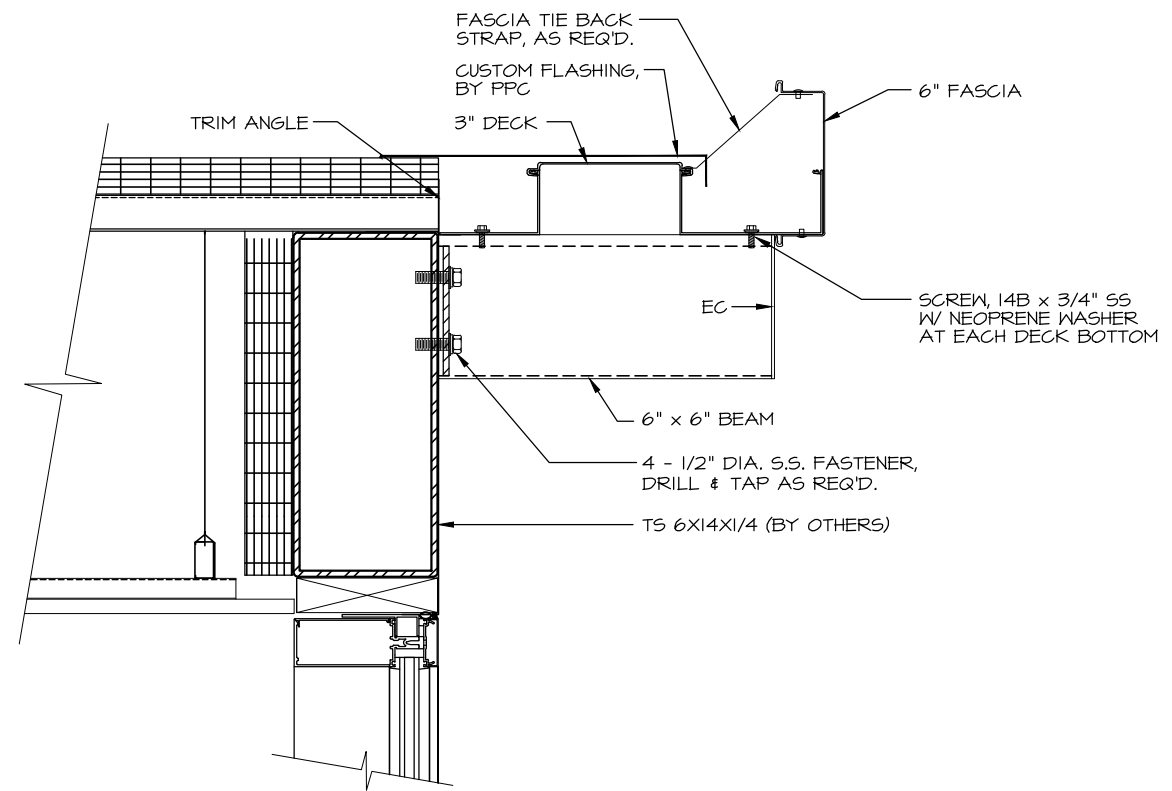
**C**  
SECTION  
9



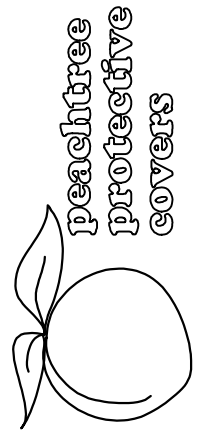
**D**  
SECTION  
9



**A**  
SECTION



**B**  
SECTION

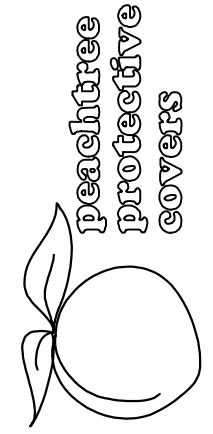


peachtree  
protective  
covers

1477 ROSEDALE DRIVE PHONE (770) 494-2120  
HIRAM, GA 30141 FAX (770) 494-2122

JOB NAME: KNOXVILLE CANCER CENTER  
 LOCATION: KNOXVILLE, TN  
 ARCHITECT: COPE ASSOCIATES, INC.  
 CONTRACTOR: CONSTRUCTION PLUS

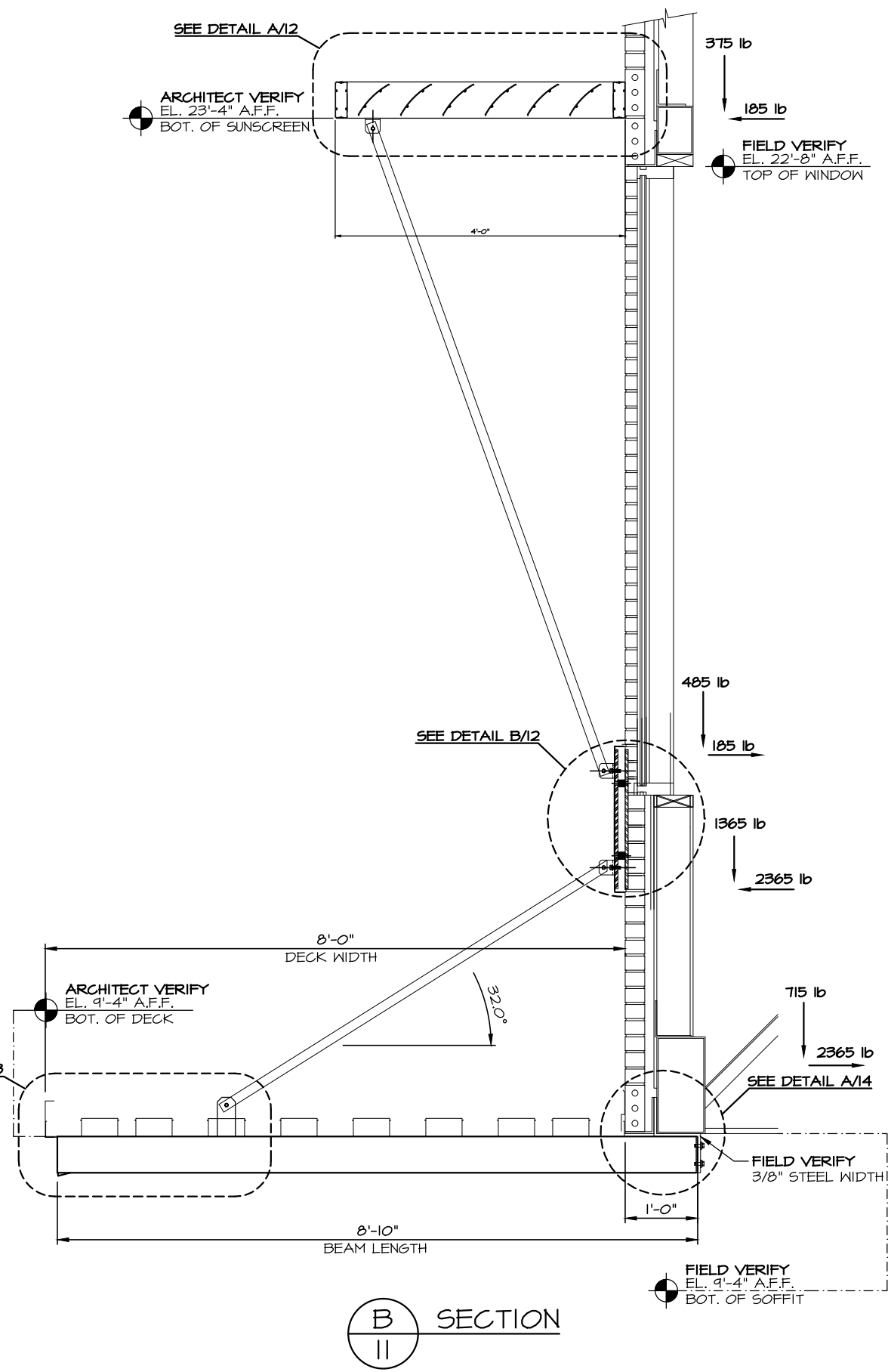
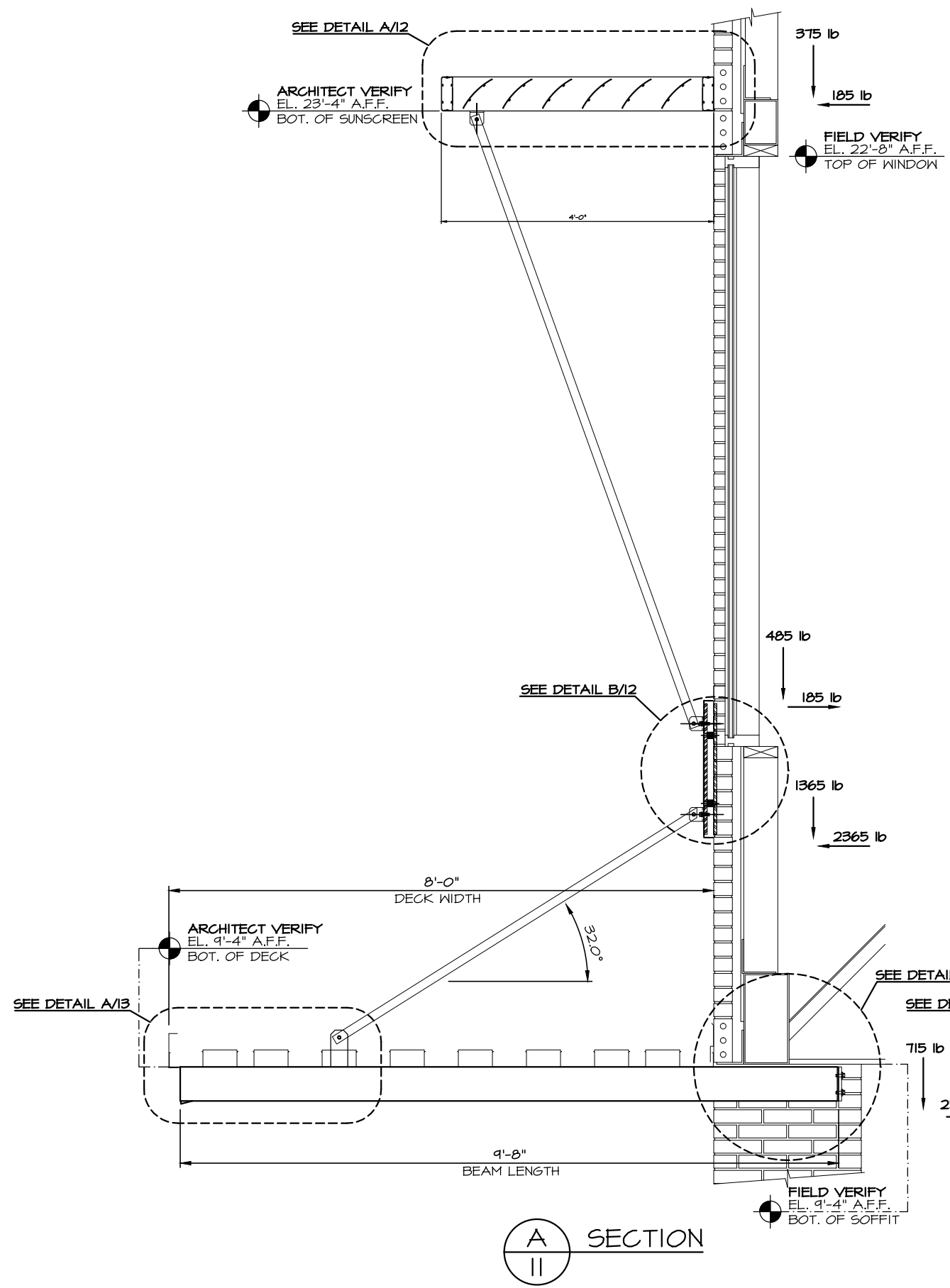
REVISIONS	
3/31/05 LKA	
DRAWN: LISA	
SCALE: AS SHOWN	
DATE: 2/11/05	
JOB #	
3534	
SHT 10 OF 15	

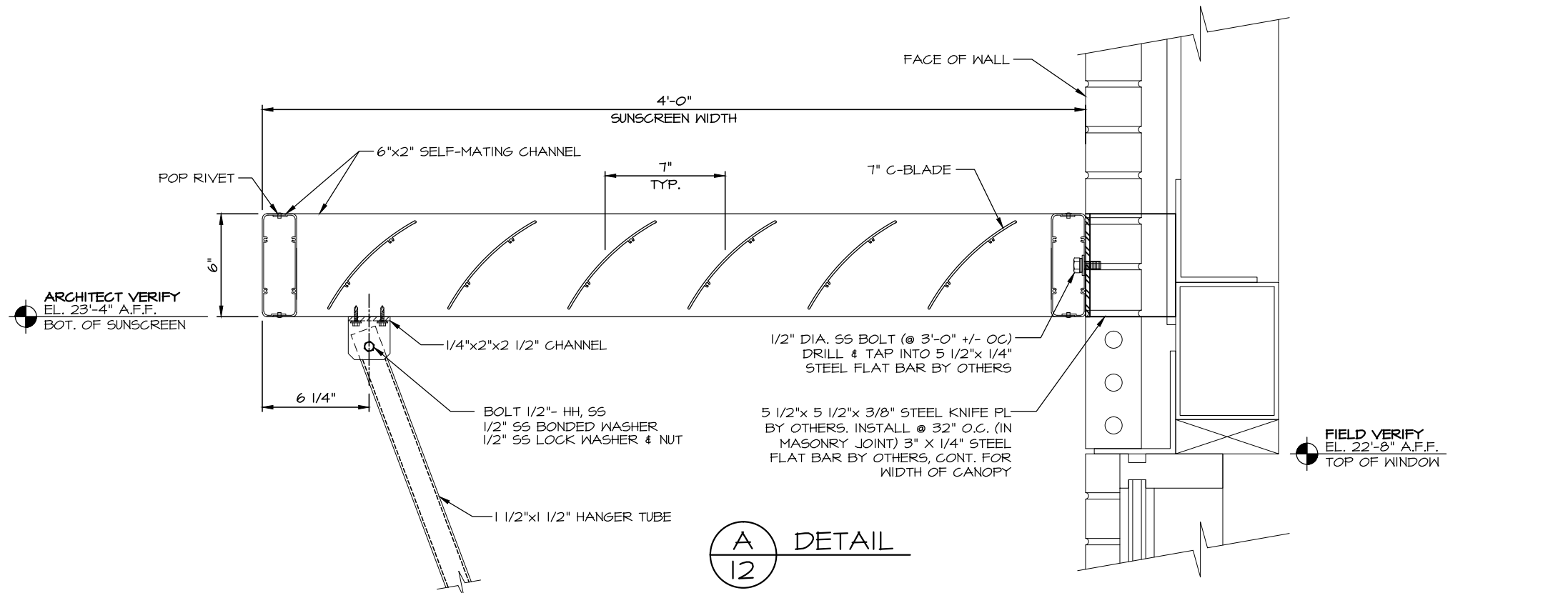


1477 ROSEDALE DRIVE PHONE (770) 434-2120  
HIRAM, GA 30141 FAX (770) 434-2122

JOB NAME: KNOXVILLE CANCER CENTER  
LOCATION: KNOXVILLE, TN  
ARCHITECT: COPE ASSOCIATES, INC.  
CONTRACTOR: CONSTRUCTION PLUS

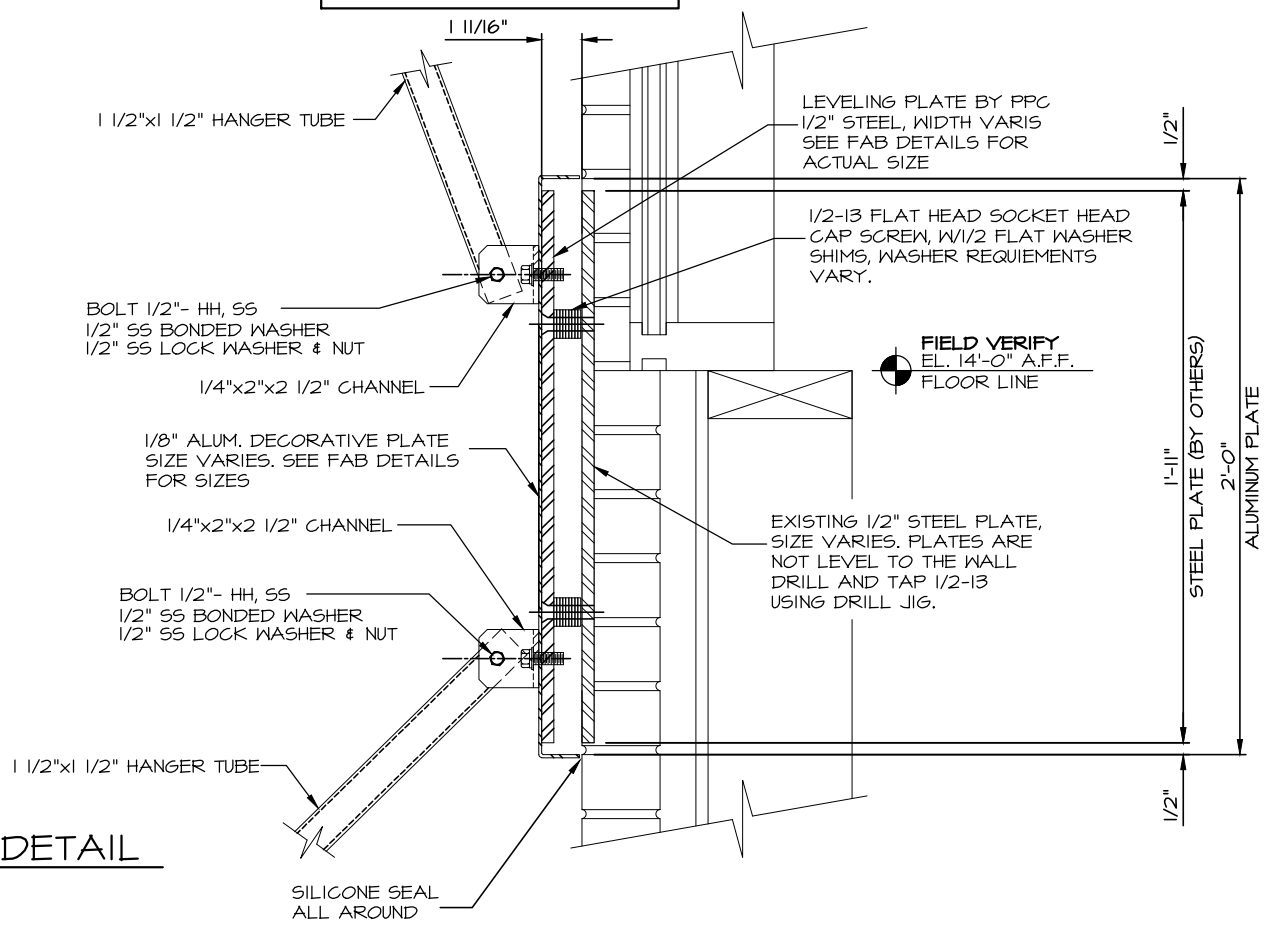
REVISIONS	
3/31/05 LKA	
DRAWN: LISA	
SCALE: AS SHOWN	
DATE: 2/11/05	
JOB #	
<b>3534</b>	
SHT 11 OF 15	





**A**  
12  
DETAIL

**INSTALLER NOTE**  
SHIM OUTSIDE OF LEVELING PLATE 1 11/16" FROM WALL  
USE 1/2" WASHERS AS SPACERS



**B**  
12  
DETAIL

**INSTALLER NOTE:**  
ISOLATION MATERIAL REQUIRED BETWEEN STEEL & ALUMINUM

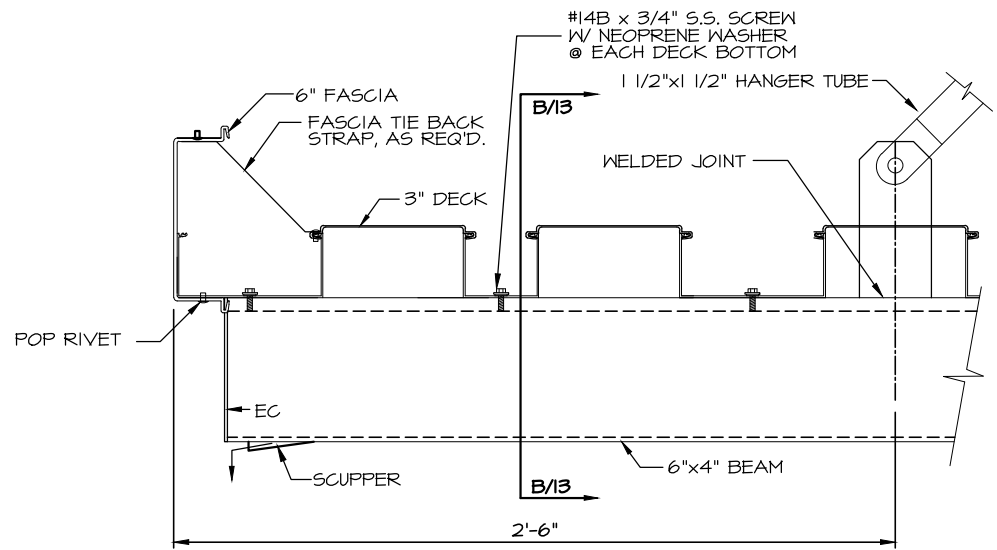


1477 ROSEDALE DRIVE PHONE (770) 434-2120  
HIRAM, GA 30141 FAX (770) 434-2122

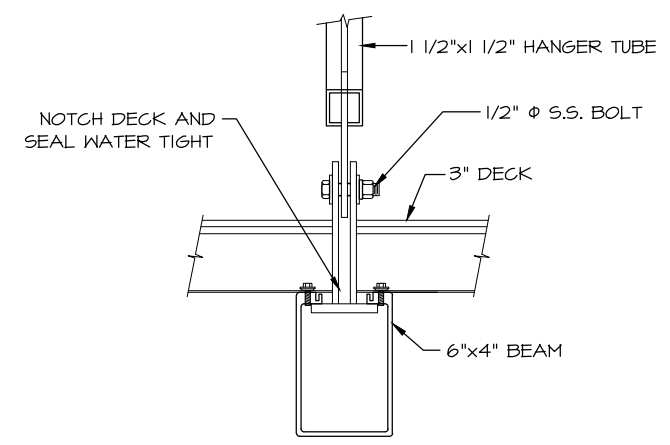
JOB NAME: KNOXVILLE CANCER CENTER  
LOCATION: KNOXVILLE, TN  
ARCHITECT: COPE ASSOCIATES, INC.  
CONTRACTOR: CONSTRUCTION PLUS

REVISIONS	
3/31/05 LKA	
1/09/06 JCJ	

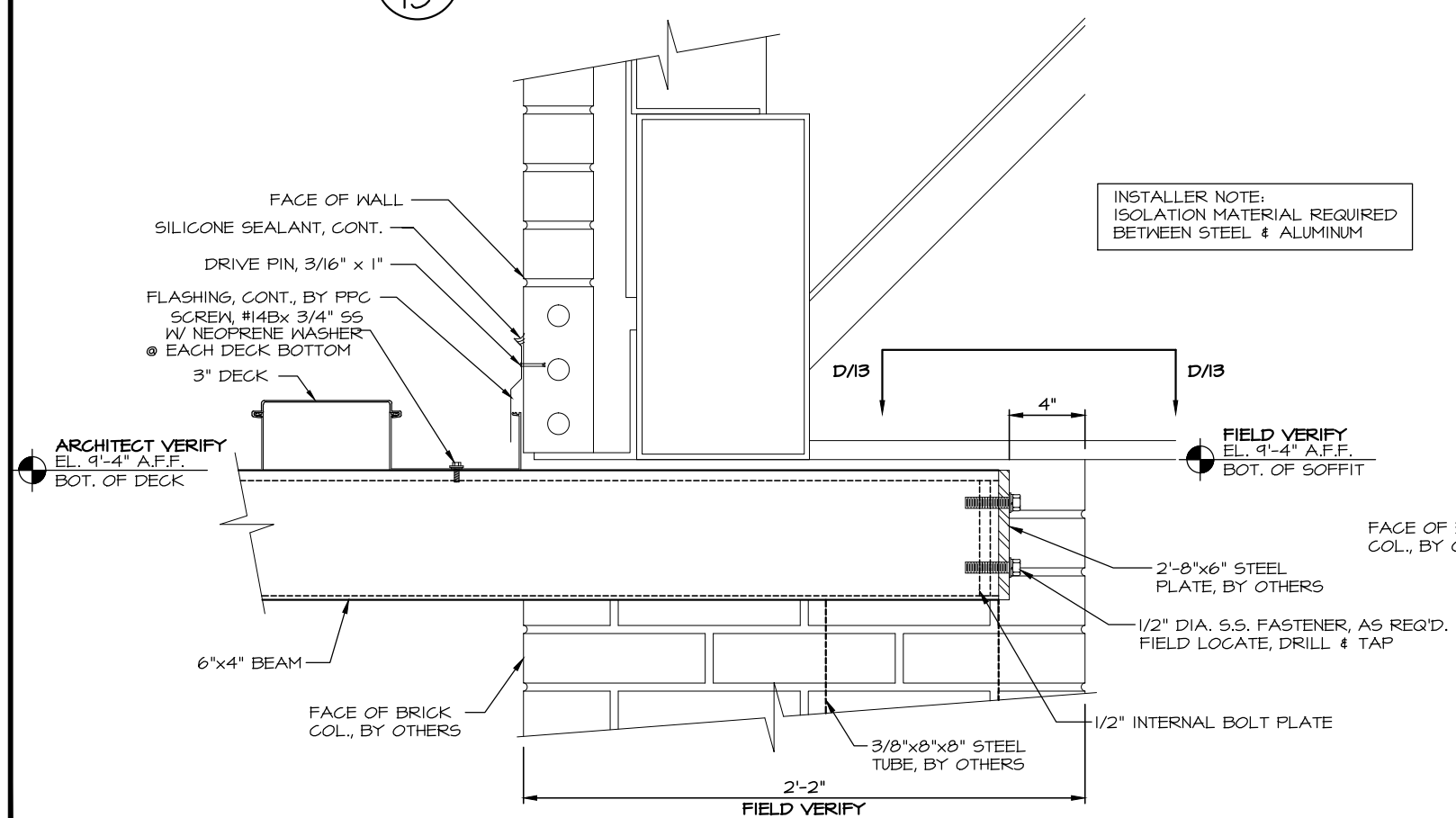
DRAWN: LISA  
SCALE: AS SHOWN  
DATE: 2/11/05  
JOB #  
**3534**  
SHT 12 OF 15



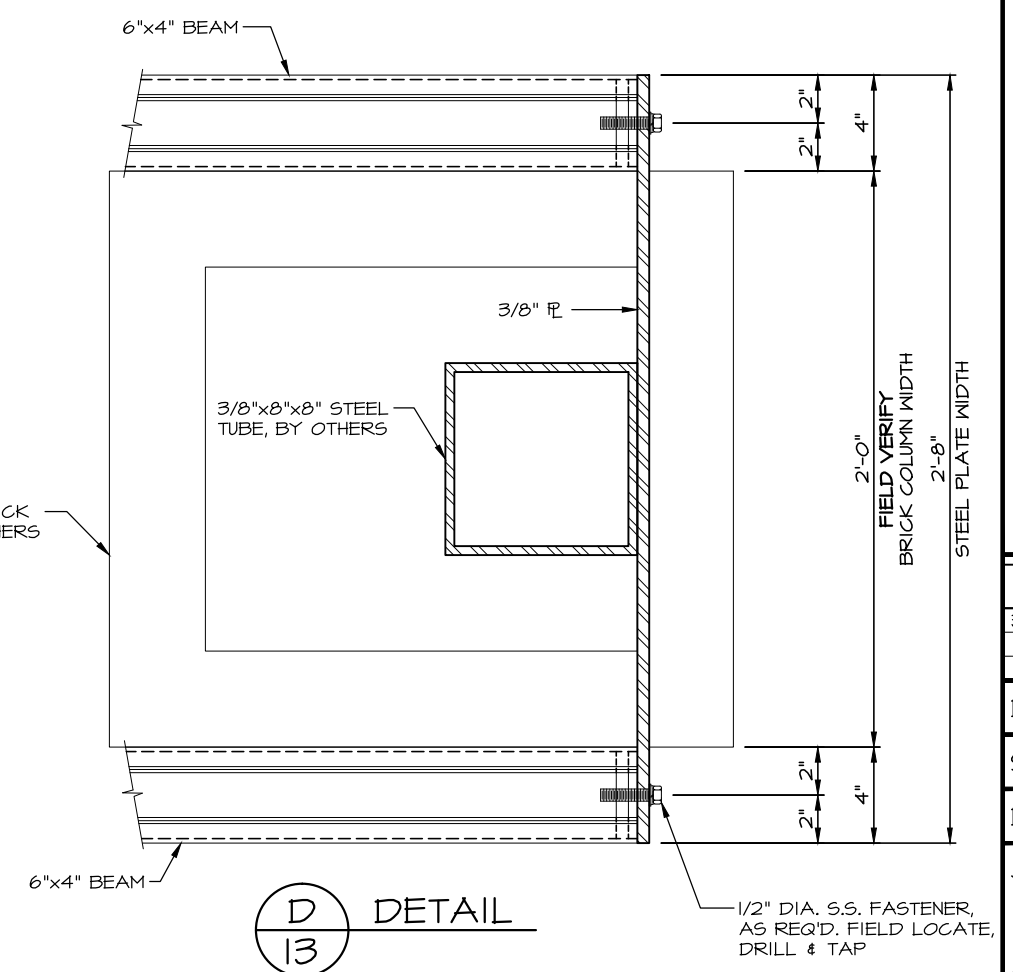
**A**  
13  
DETAIL



**B**  
13  
DETAIL



**C**  
13  
DETAIL



**D**  
13  
DETAIL

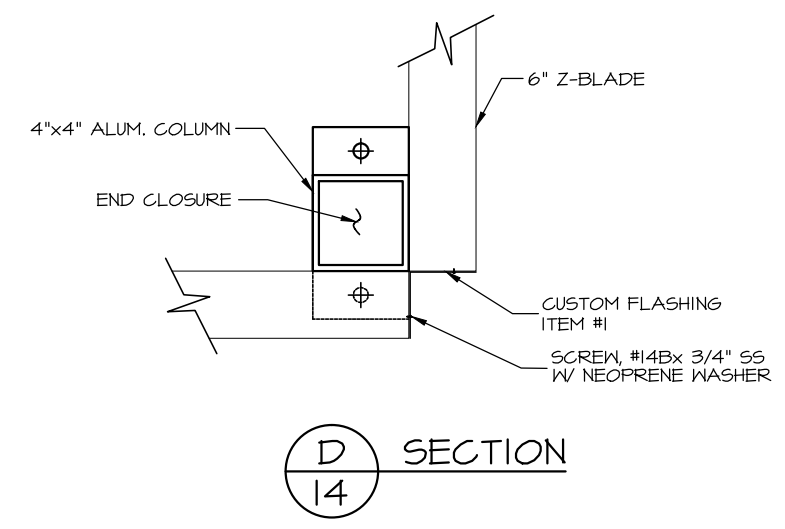
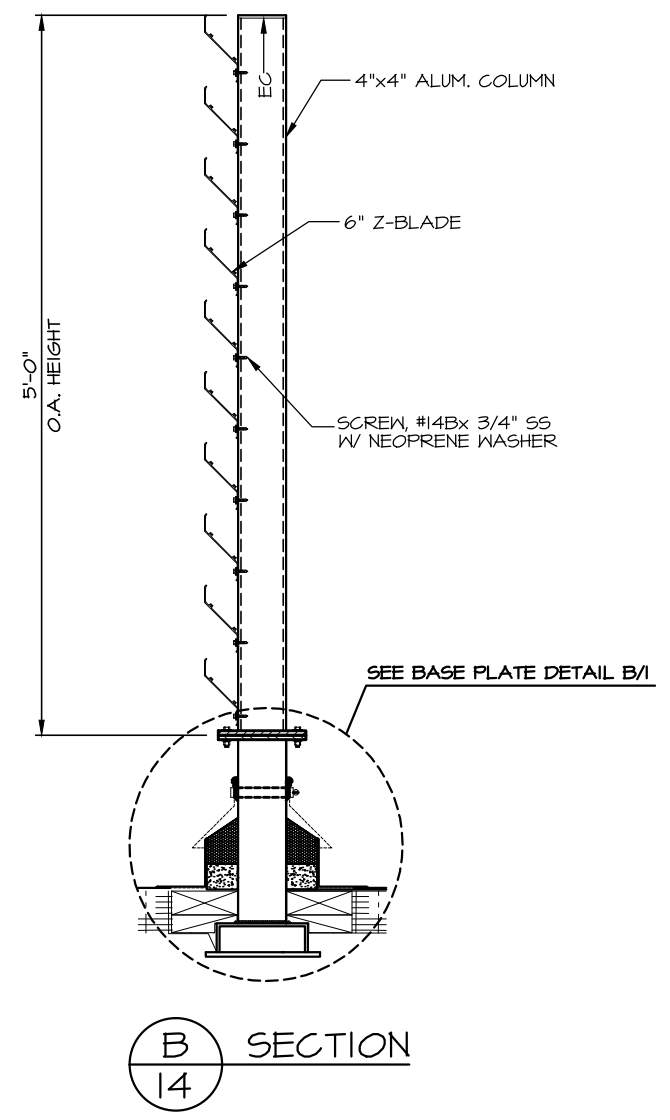
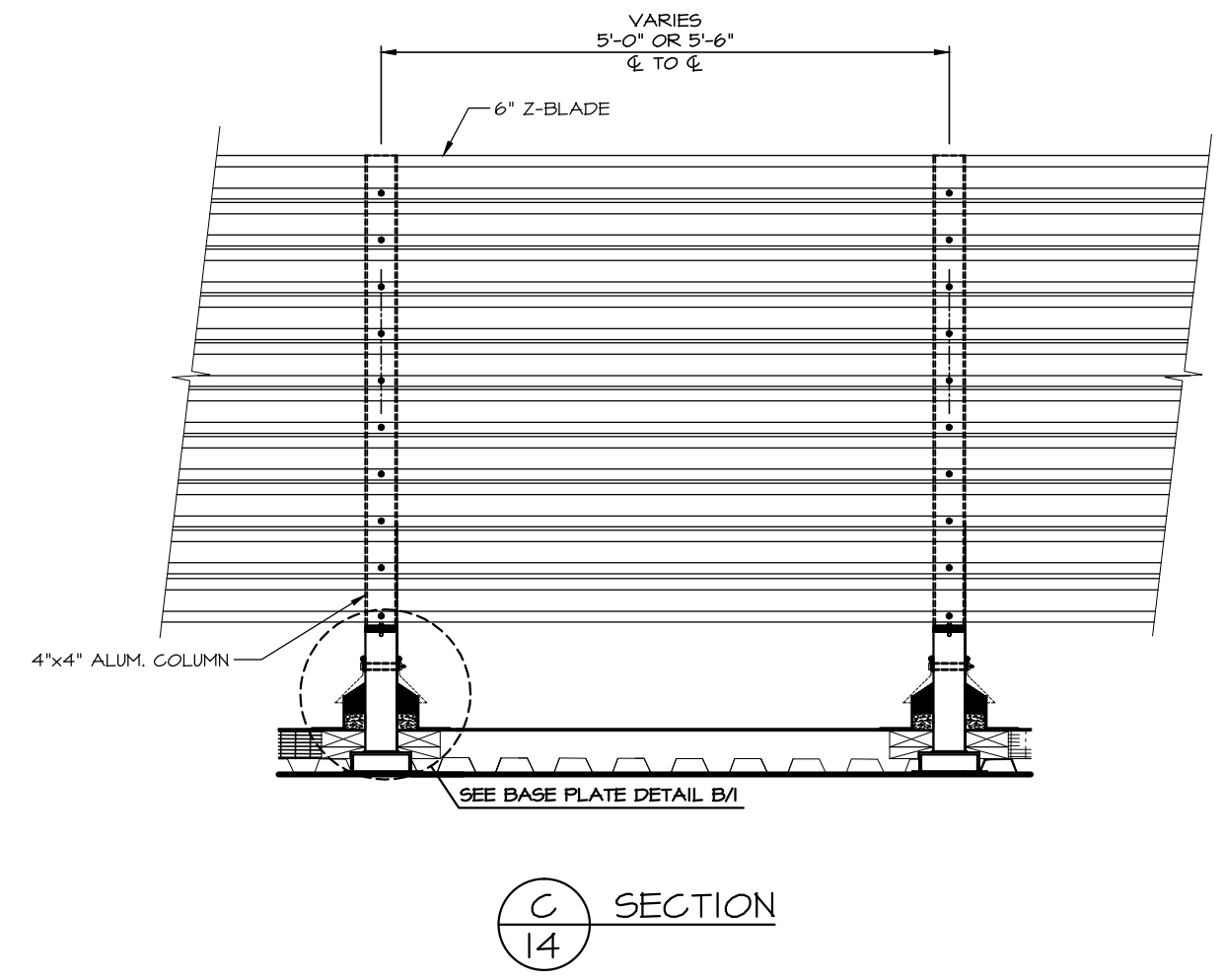
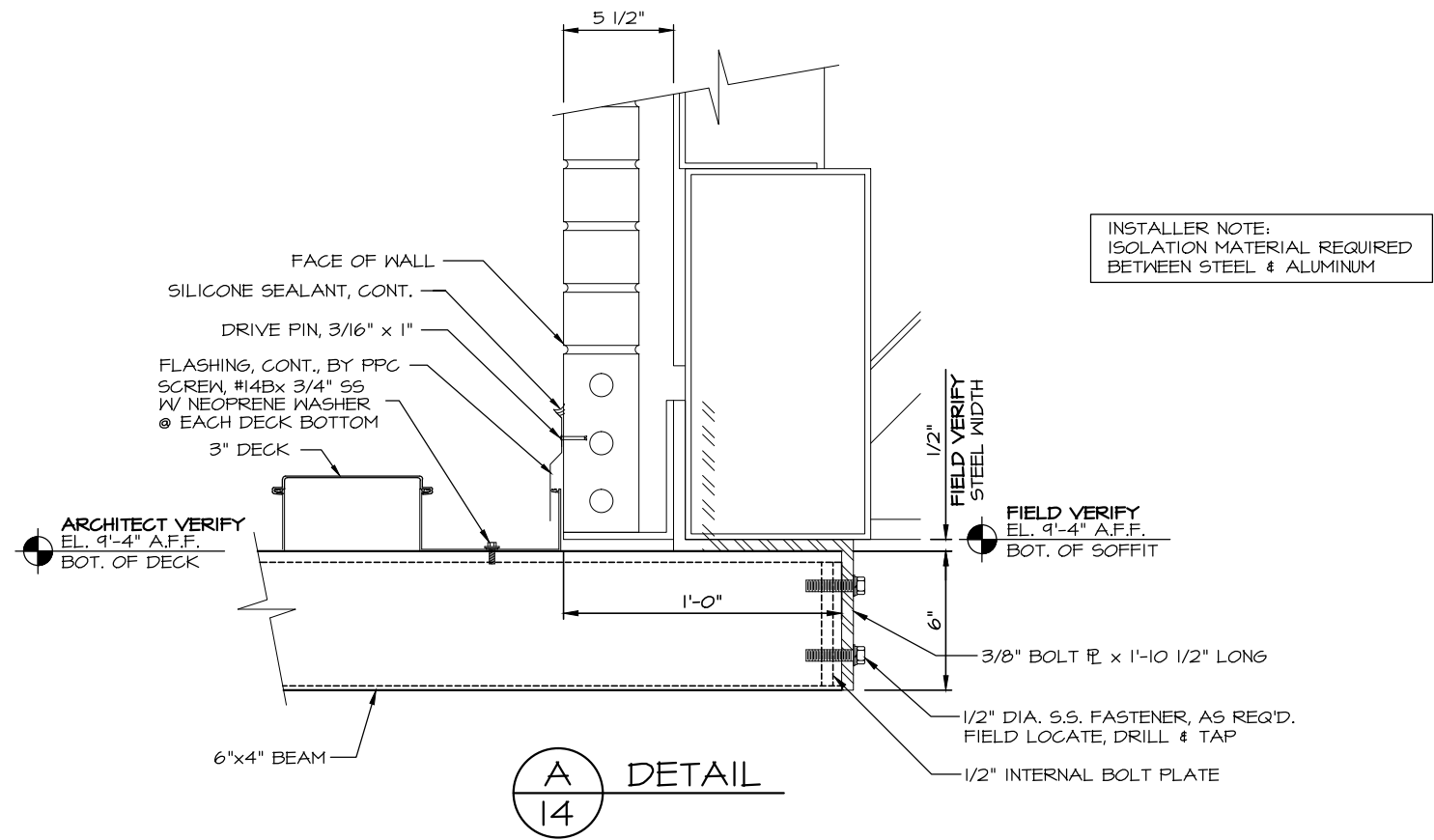
INSTALLER NOTE:  
ISOLATION MATERIAL REQUIRED  
BETWEEN STEEL & ALUMINUM

JOB NAME: KNOXVILLE CANCER CENTER  
LOCATION: KNOXVILLE, TN  
ARCHITECT: COPE ASSOCIATES, INC.  
CONTRACTOR: CONSTRUCTION PLUS

REVISIONS	
3/31/05	LKA

DRAWN: LISA  
SCALE: AS SHOWN  
DATE: 2/11/05

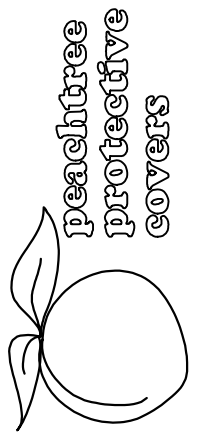
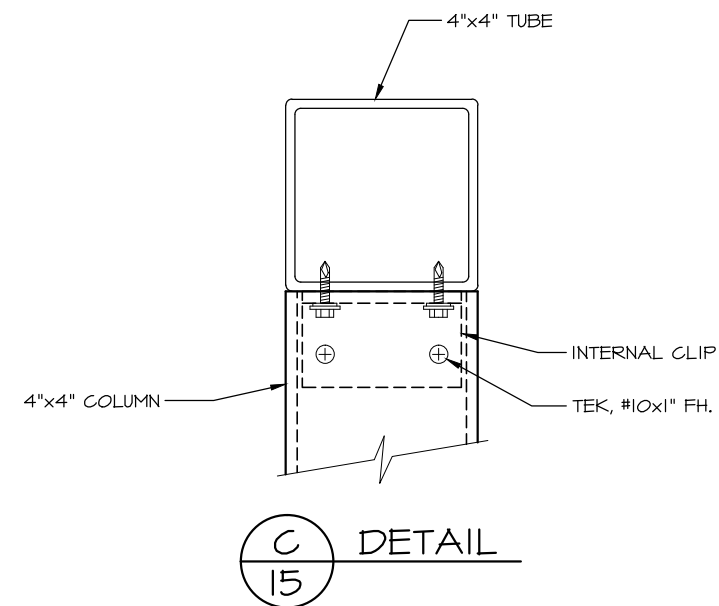
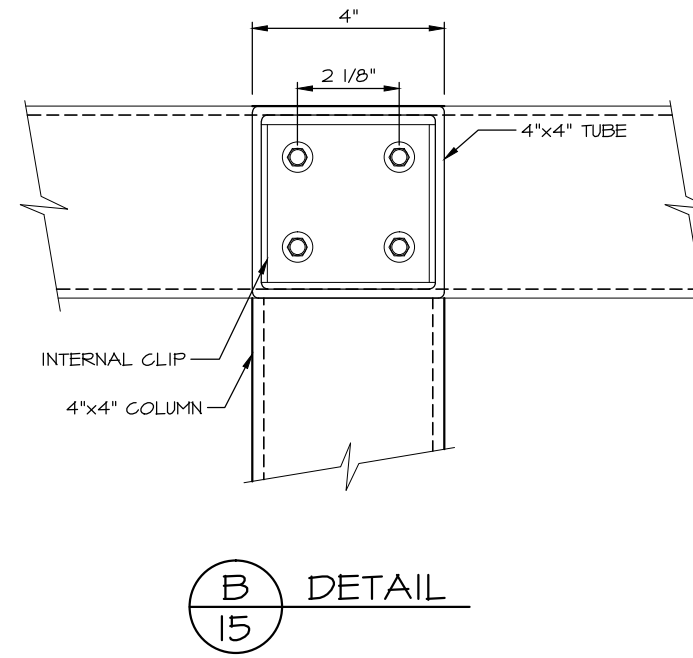
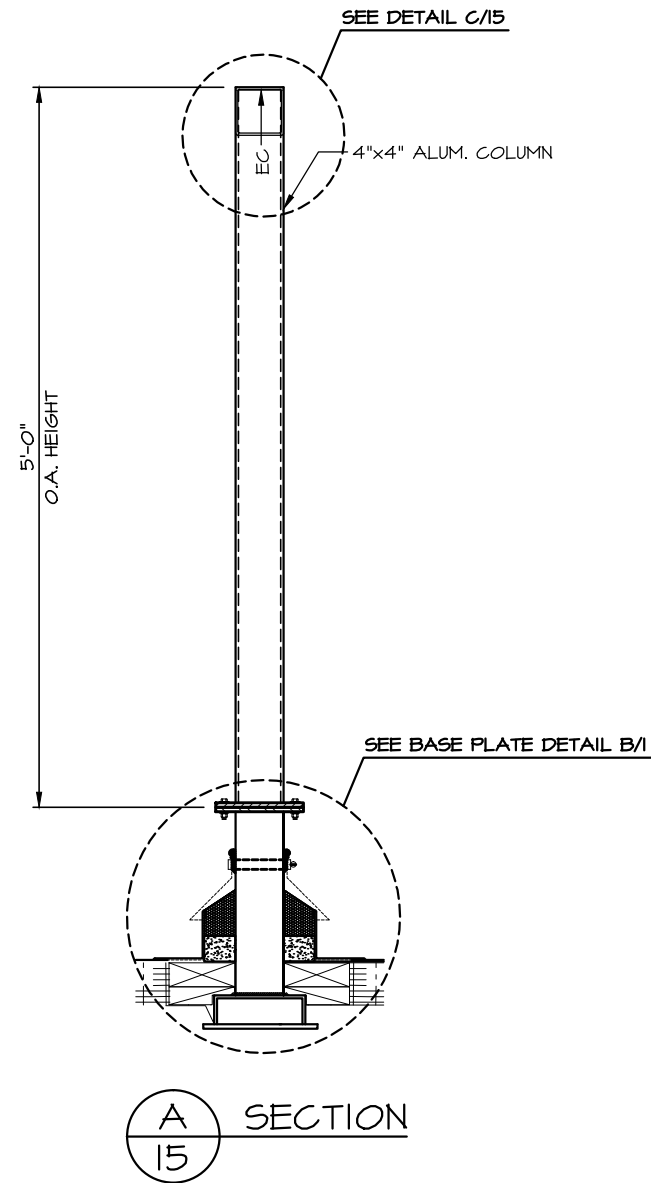
JOB #  
**3534**  
SHT 13 OF 15



JOB NAME: KNOXVILLE CANCER CENTER  
LOCATION: KNOXVILLE, TN  
ARCHITECT: COPE ASSOCIATES, INC.  
CONTRACTOR: CONSTRUCTION PLUS

REVISIONS	
3/31/05 LKA	

DRAWN: LISA  
SCALE: AS SHOWN  
DATE: 2/11/05  
JOB #  
**3534**  
SHT 14 OF 15



1477 ROSEDALE DRIVE PHONE (770) 434-2120  
HIRAM, GA 30141 FAX (770) 434-2122

JOB NAME: KNOXVILLE CANCER CENTER  
LOCATION: KNOXVILLE, TN  
ARCHITECT: COPE ASSOCIATES, INC.  
CONTRACTOR: CONSTRUCTION PLUS

REVISIONS

3/31/05 LKA	

DRAWN: LISA

SCALE: AS SHOWN

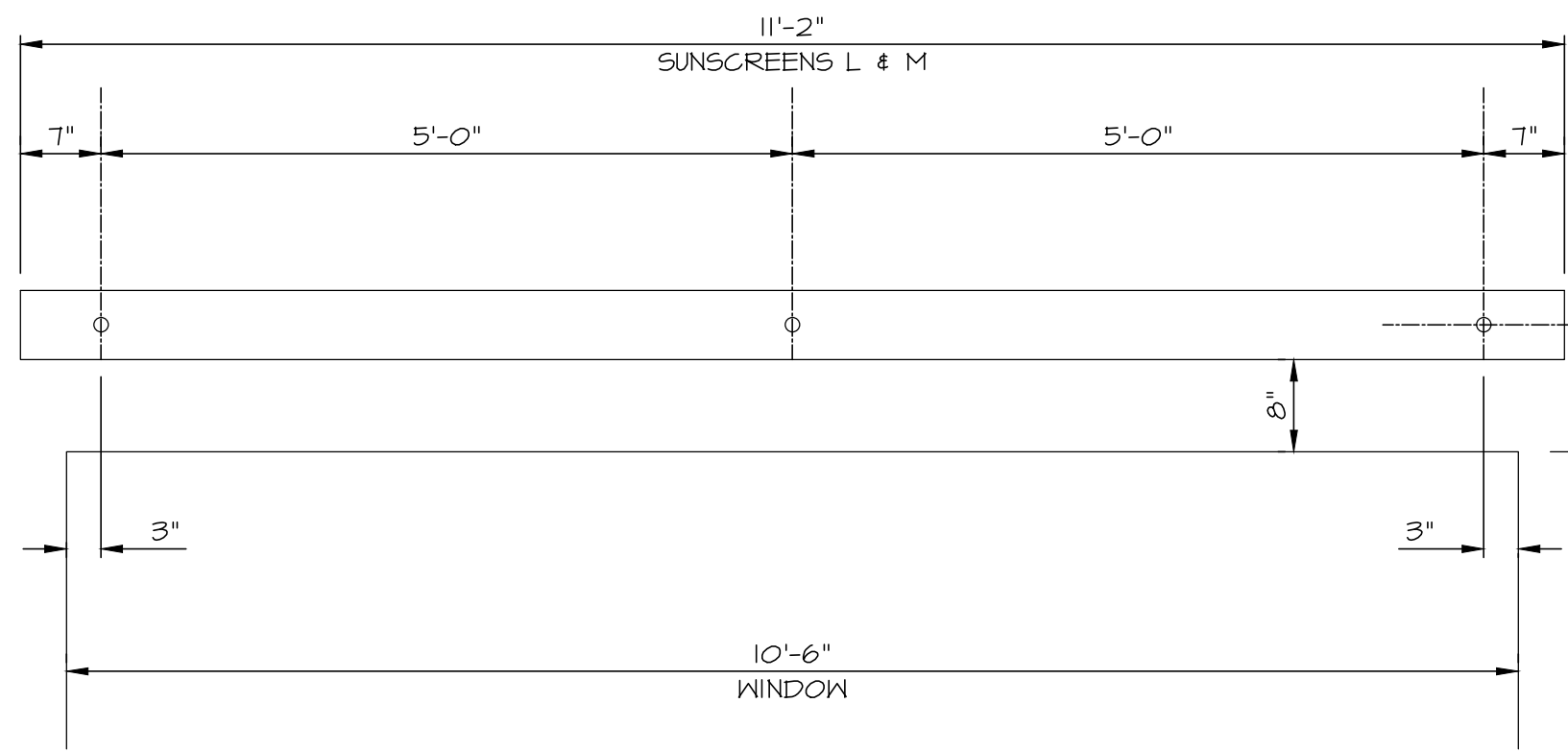
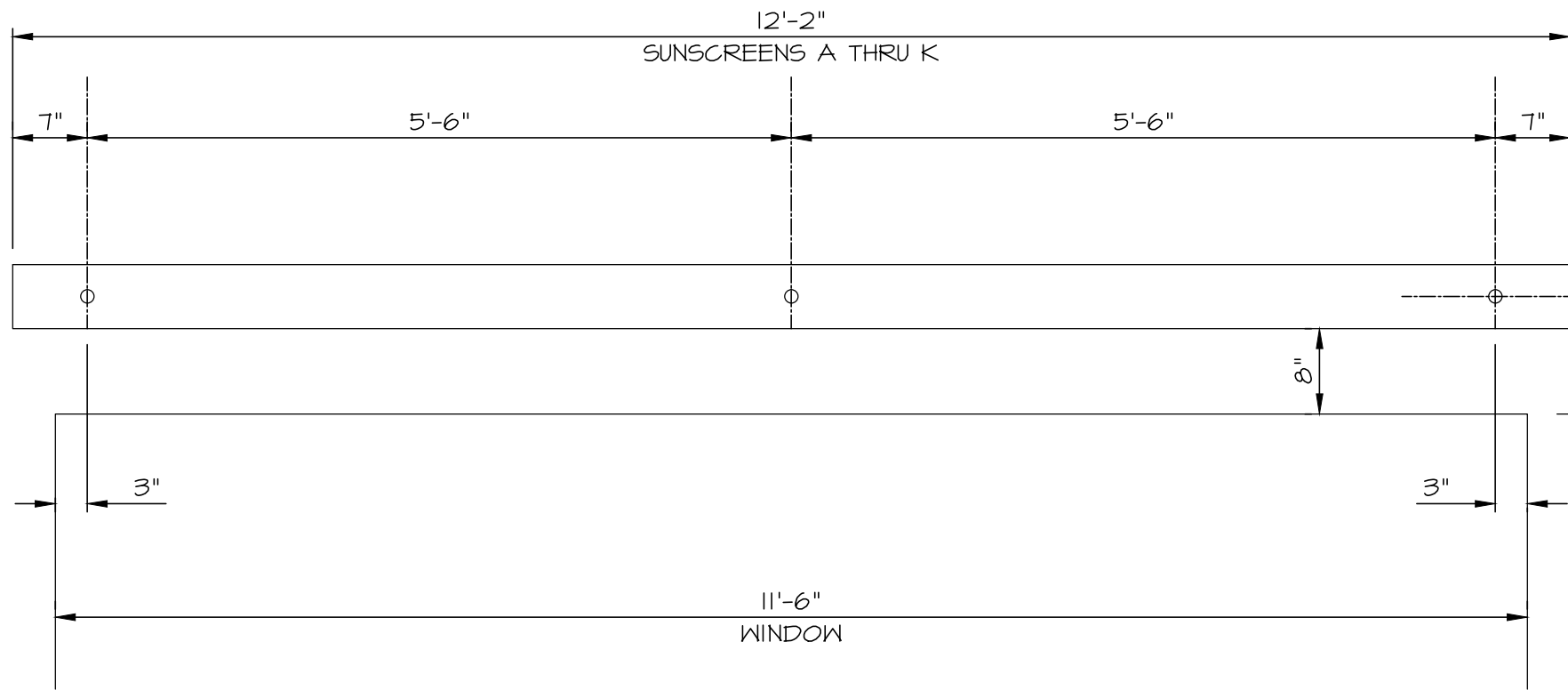
DATE: 2/11/05

JOB #

3534

SHT 15 OF 15



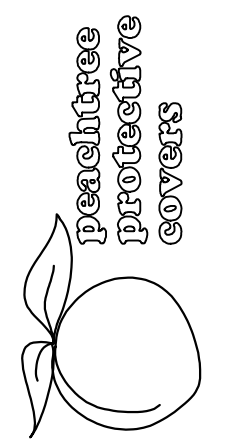


EL. 23'-7" A.F.F.  
 ⌀ OF BOLTS

EL. 22'-8" A.F.F.  
 TOP OF WINDOW /  
 BOT OF SOLDIER COURSE

EL. 23'-7" A.F.F.  
 ⌀ OF BOLTS

EL. 22'-8" A.F.F.  
 TOP OF WINDOW /  
 BOT OF SOLDIER COURSE



1477 ROSEDALE DRIVE PHONE (770) 494-2120  
 HIRAM, GA 30141 FAX (770) 494-2122

JOB NAME: KNOXVILLE CANCER CENTER  
 LOCATION: KNOXVILLE, TN  
 ARCHITECT: COPE ASSOCIATES, INC.  
 CONTRACTOR: CONSTRUCTION PLUS

REVISIONS

3/31/05 LKA	

DRAWN: LISA

SCALE: AS SHOWN

DATE: 2/11/05

JOB #  
**3534**  
 SHT 15 AF 15