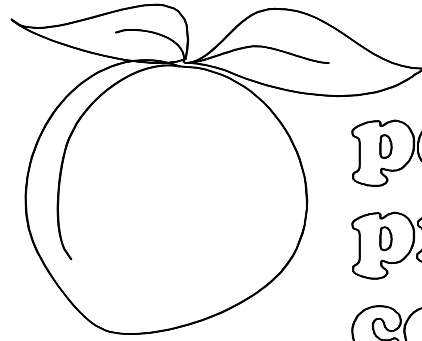


JOB # 2913 S2



peachtree
protective
covers

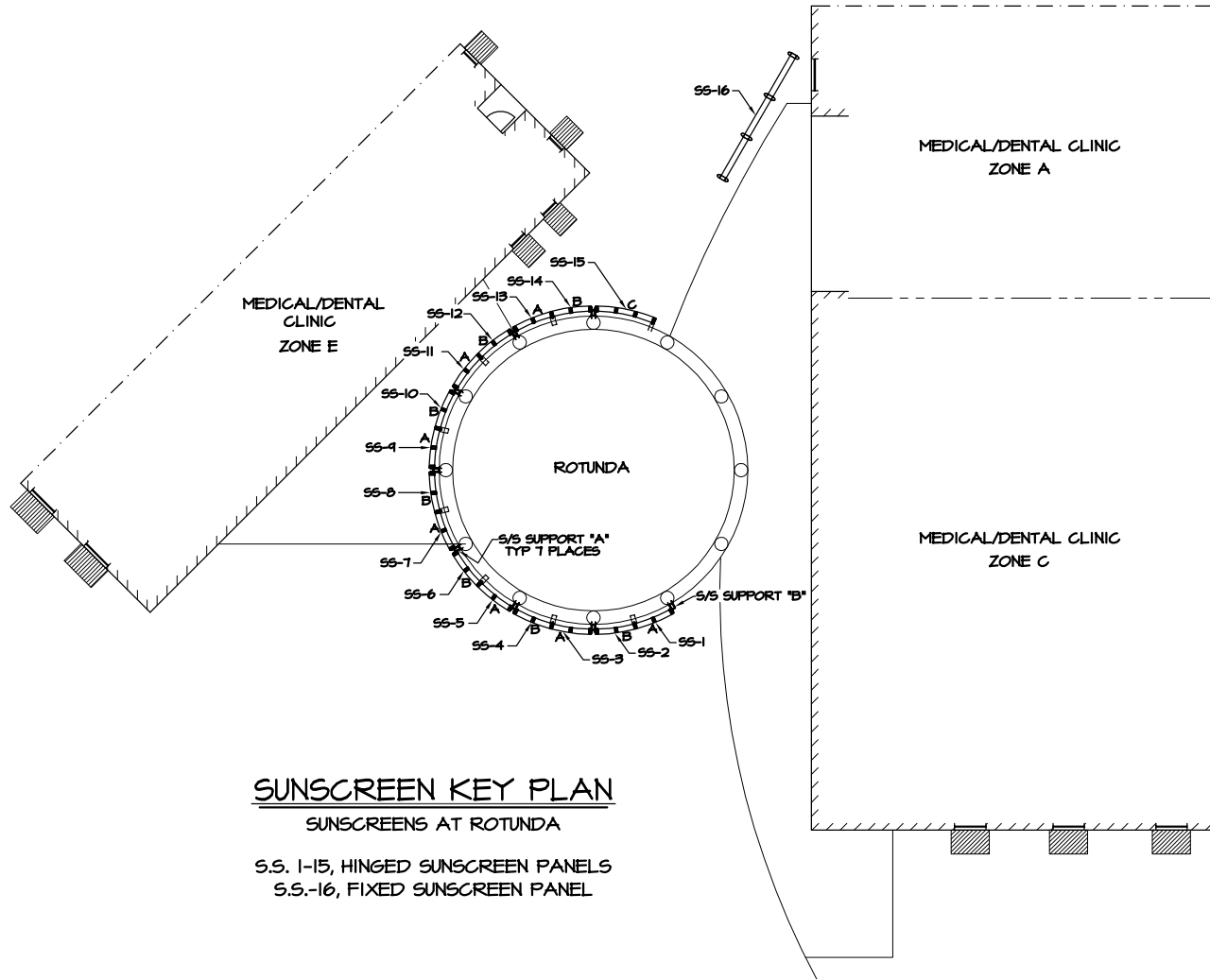
MEDICAL / DENTAL CLINIC
MAYPORT NAVAL STATION
MAYPORT, FL

BY

ROGERS, LOVELOCK AND FRITZ, INC

OCTOBER 1, 2003

1477 ROSEDALE DRIVE
HIRAM, GA 30141
(770) 439-2120
fax (770) 439-2122



SUNSCREEN KEY PLAN

SUNSCREENS AT ROTUNDA

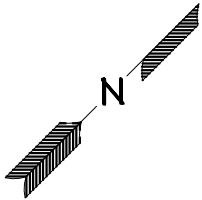
S.S. 1-15, HINGED SUNSCREEN PANELS
S.S.-16, FIXED SUNSCREEN PANEL

SUNSCREENS DESIGNED IN COMPLIANCE WITH THE FLORIDA BUILDING CODE 2001 AND ASCE 7-08. DESIGN LOADS USED ARE SHOWN BELOW:
 > LIVE LOAD = 20 PSF (957.6 Pa)
 > WIND SPEED = 135 MPH (271.26 kph)
 > IMPORTANCE FACTOR = 1.15, EXPOSURE 'C'

MEDICAL/DENTAL CLINIC
ZONE A

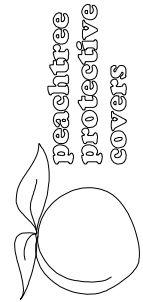
MEDICAL/DENTAL CLINIC
ZONE C

ROTUNDA



FINISH SCHEDULE

DESCRIPTION	FINISH	COLOR
6" X 10" TUBE (152.4 mm X 254 mm)	KYNAR 2-COAT	PORTLAND STONE (S:392F213)
4" X 8" TUBE (101.6 mm X 203.2 mm)	KYNAR 2-COAT	PORTLAND STONE (S:392F213)
2" X 8" TUBE (50.8 mm X 203.2 mm)	KYNAR 2-COAT	PORTLAND STONE (S:392F213)
BULLNOSE EXTRUSION	KYNAR 2-COAT	PORTLAND STONE (S:392F213)
HALF ELLIPSE EXTRUSION	KYNAR 2-COAT	PORTLAND STONE (S:392F213)
3.13" X 10" TUBE (79.5 mm X 254 mm)	KYNAR 2-COAT	PORTLAND STONE (S:392F213)



peachtree
protective
covers
1477 ROSEDALE DRIVE
HIRAM, GA 30141
PHONE (770) 434-2120
FAX (770) 434-2122

JOB NAME: MEDICAL / DENTAL CLINIC MAYPORT NAVAL STATION

LOCATION: MAYPORT, FL

ARCHITECT: ROGERS, LOVELOCK AND FRITZ, INC

CONTRACTOR: HOAR CONSTRUCTION

REVISIONS

1/2/03 RF	
2/27/03 RLV	

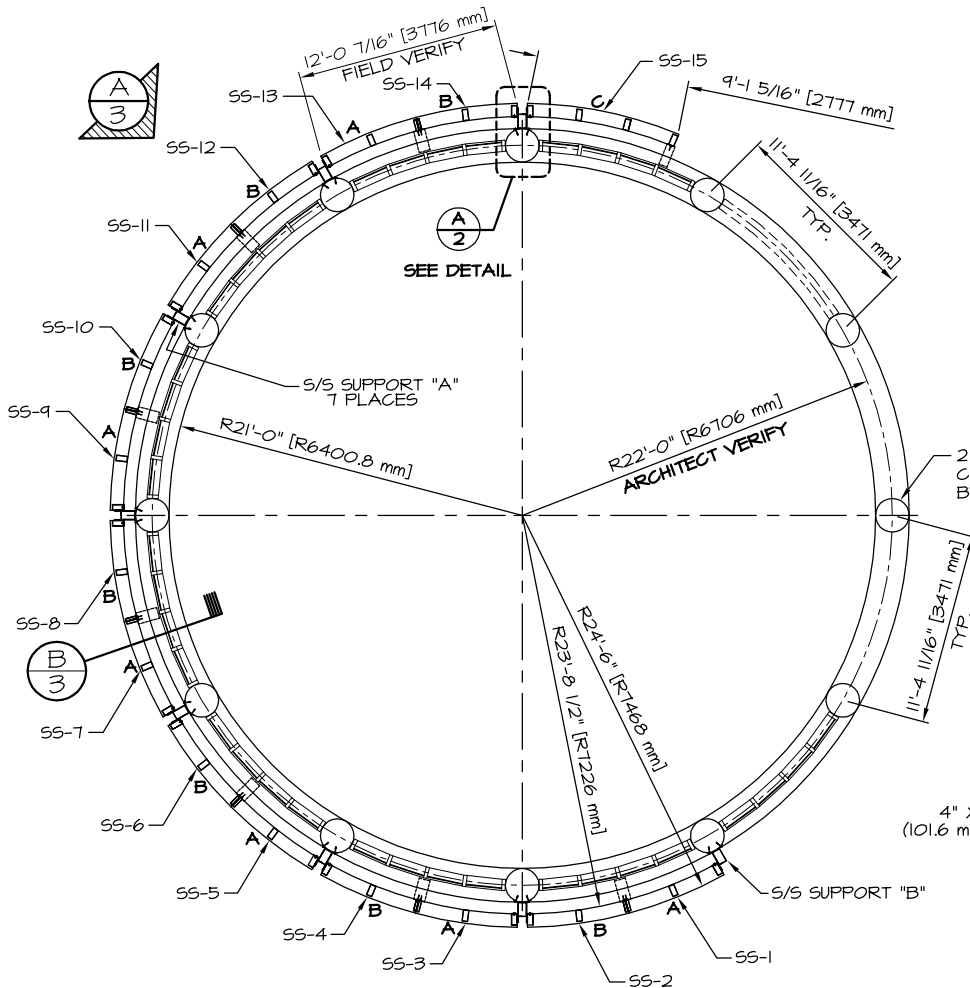
DRAWN: ALLAN

SCALE: AS SHOWN

DATE: 11/15/02

JOB #
2913 52

SHT 1 OF 5

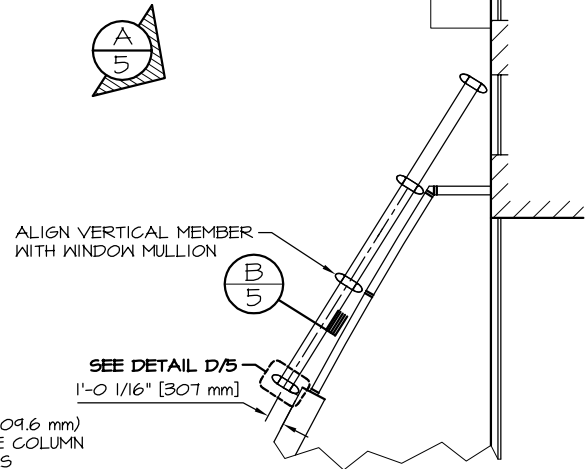


SUNSCREEN KEY PLAN

S.S. 1-15, HINGED SUNSCREEN PANELS

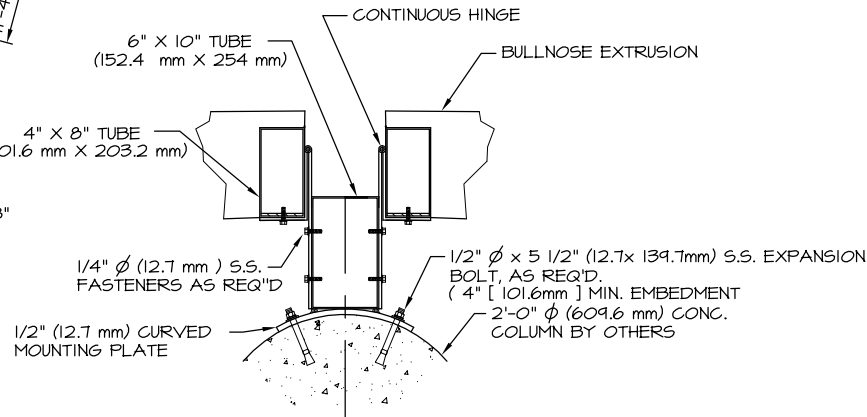
- A = LEFT HAND SUNSCREEN
- B = RIGHT HAND SUNSCREEN
- C = LEFT HAND LARGE SUNSCREEN

SUNGREENS TO BE SEGMENTED AT RADIUS OF 61593.6mm



SUNSCREEN KEY PLAN

S.S.-16, FIXED SUNSCREEN PANEL



DETAIL



peachtree protective covers
1477 ROSEDALE DRIVE HIRAM, GA 30141
PHONE (770) 434-2120 FAX (770) 434-2122

JOB NAME: MEDICAL / DENTAL CLINIC MAYPORT NAVAL STATION
LOCATION: MAYPORT, FL
ARCHITECT: ROGERS, LOVELOCK AND FRITZ, INC
CONTRACTOR: HOAR CONSTRUCTION

REVISIONS

1/2/03	RF
2/27/03	RLV
10/01/03	JRC

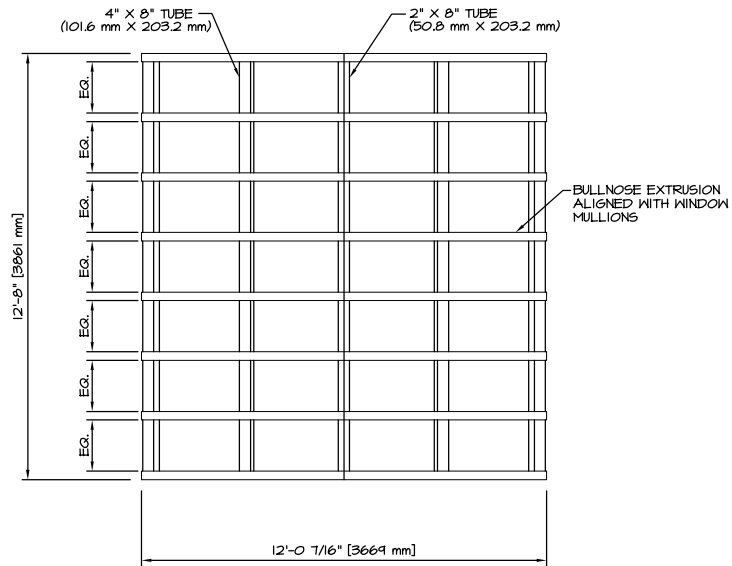
DRAWN: ALLAN

SCALE: AS SHOWN

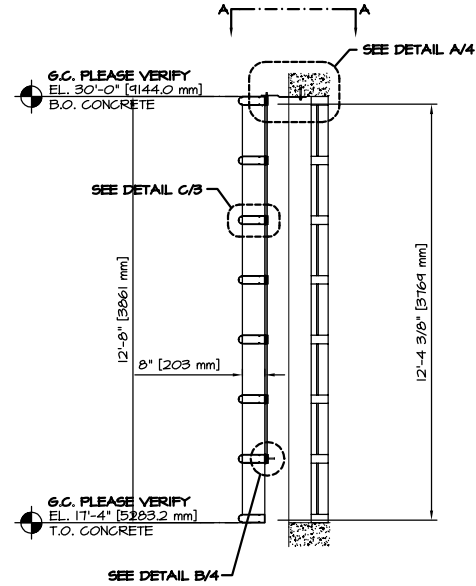
DATE: 11/15/02

JOB #
2913 52

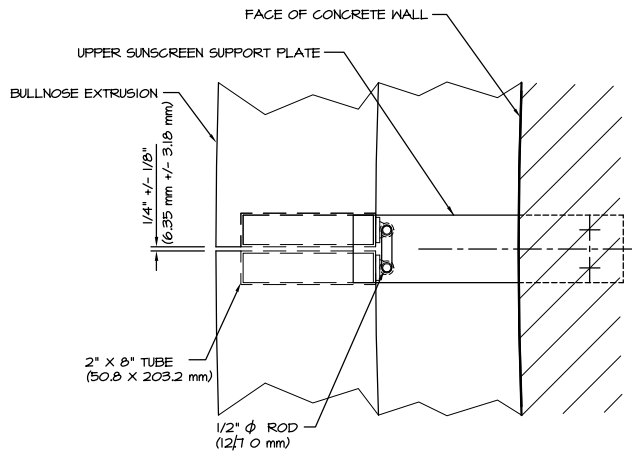
SHT 2 OF 5



A
3
ELEVATION
TYPICAL

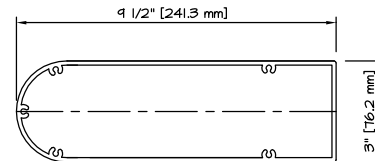


B
3
SECTION

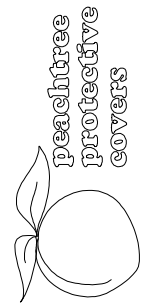


VIEW A/A

SUNGREENS TO BE SEGMENTED
AT RADIUS OF 61543.6mm



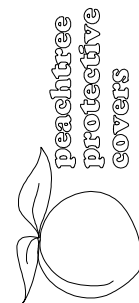
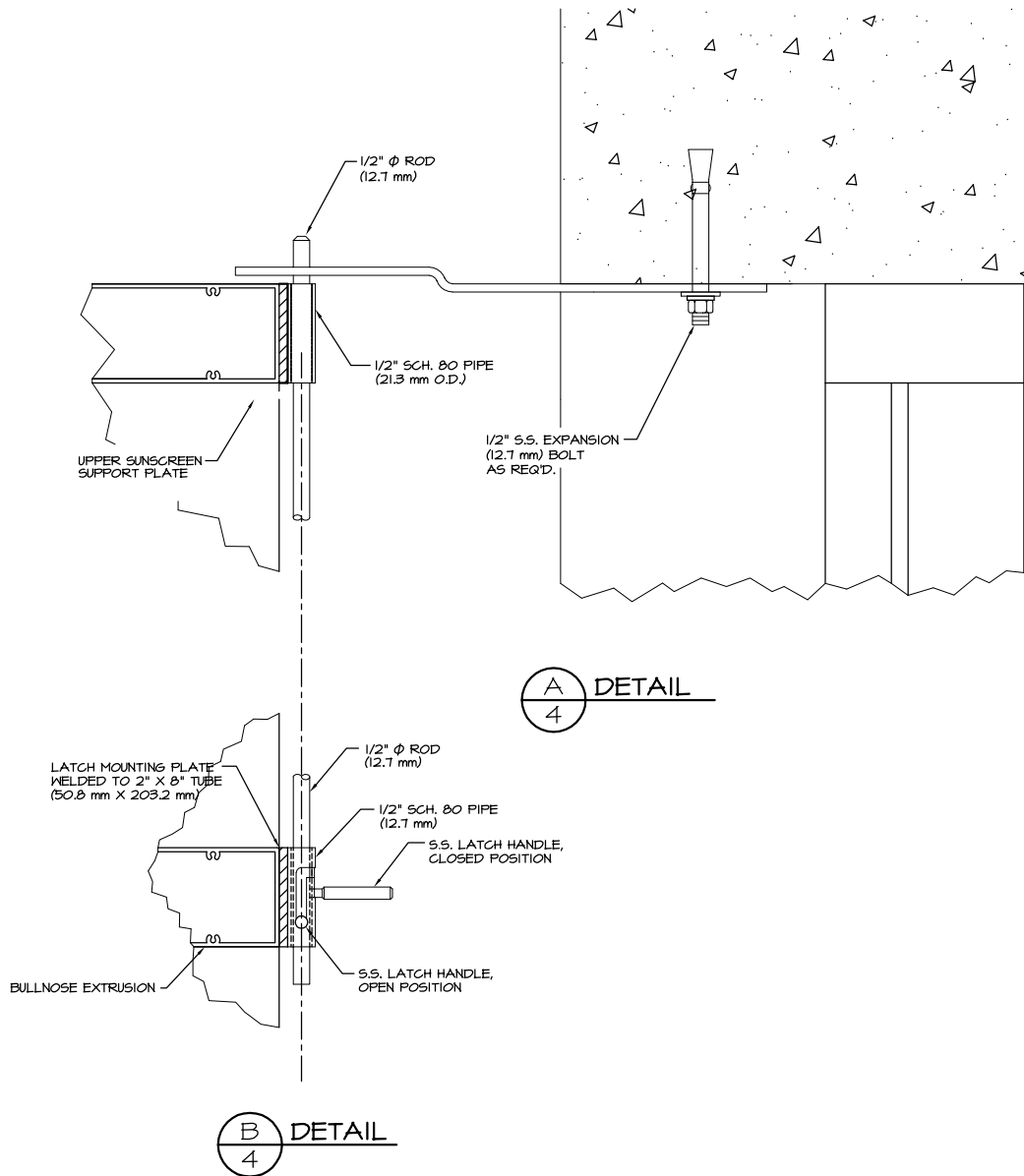
C
3
DETAIL
BULLNOSE EXTRUSION



PHONE (TTO) 434-2120
FAX (TTO) 434-2122
1477 ROSDALE DRIVE
HIRAM, GA 30141

JOB NAME: MEDICAL / DENTAL CLINIC MAYPORT NAVAL STATION
LOCATION: MAYPORT, FL
ARCHITECT: ROGERS, LOVELOCK AND FRITZ, INC
CONTRACTOR: HOAR CONSTRUCTION

REVISIONS	
1/2/03	RF
2/21/03	RLV
10/01/03	JRC
DRAWN: ALLAN	
SCALE: AS SHOWN	
DATE: 11/15/02	
JOB # 2913 52	
SHT 3 OF 5	



1477 ROSEDALE DRIVE
HIRAM, GA 30141
PHONE (770) 434-2100
FAX (770) 434-2122

JOB NAME: MEDICAL / DENTAL CLINIC MAYPORT NAVAL STATION
 LOCATION: MAYPORT, FL
 ARCHITECT: ROGERS, LOVELOCK AND FRITZ, INC
 CONTRACTOR: HOAR CONSTRUCTION

REVISIONS	
10/01/03	JRC

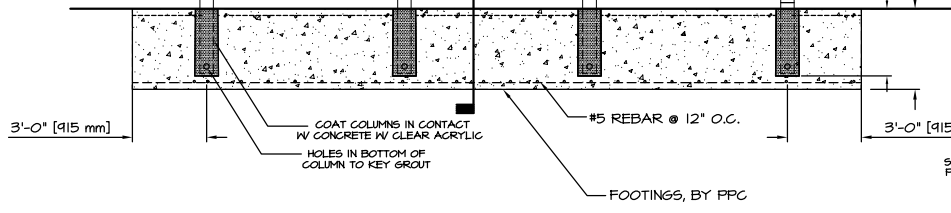
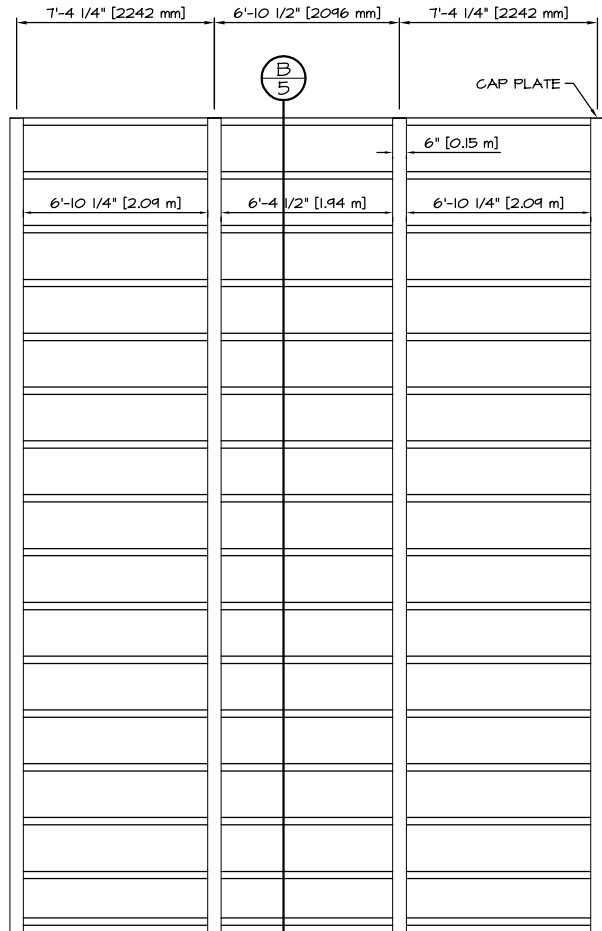
DRAWN: ALLAN

SCALE: AS SHOWN

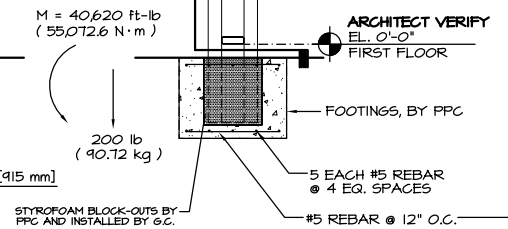
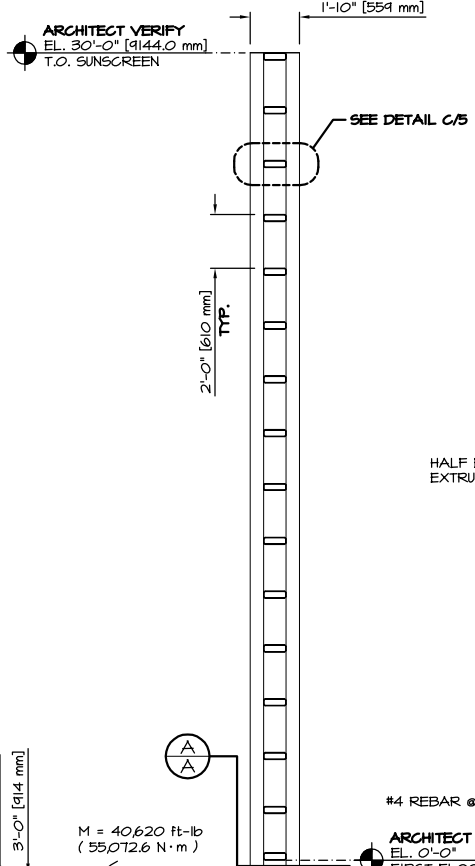
DATE: 11/15/02

JOB #
2913 52

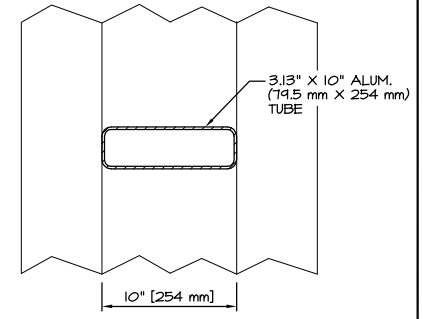
SHT 4 OF 5



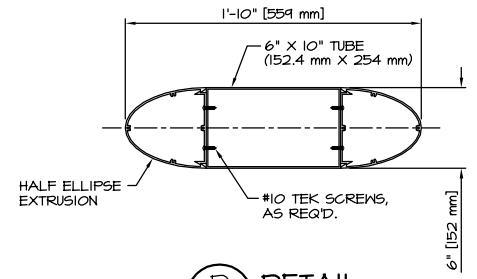
(A) ELEVATION
5



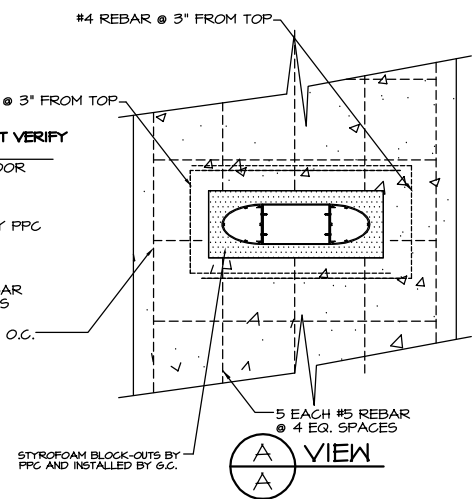
(B) SECTION
5



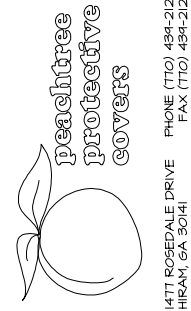
(C) DETAIL
5



(D) DETAIL
5



(A) VIEW
5



1477 ROSEDALE DRIVE
HIRAM, GA 30141
PHONE (770) 434-2120
FAX (770) 434-2122

JOB NAME: MEDICAL / DENTAL CLINIC MAYPORT NAVAL STATION
LOCATION: MAYPORT, FL
ARCHITECT: ROGERS, LOVELOCK AND FRITZ, INC
CONTRACTOR: HOAR CONSTRUCTION

REVISIONS	
1/2/03	RF
DRAWN: ALLAN	
SCALE: AS SHOWN	
DATE: 11/15/02	
JOB #	
2913 52	
SHT 5 OF 5	