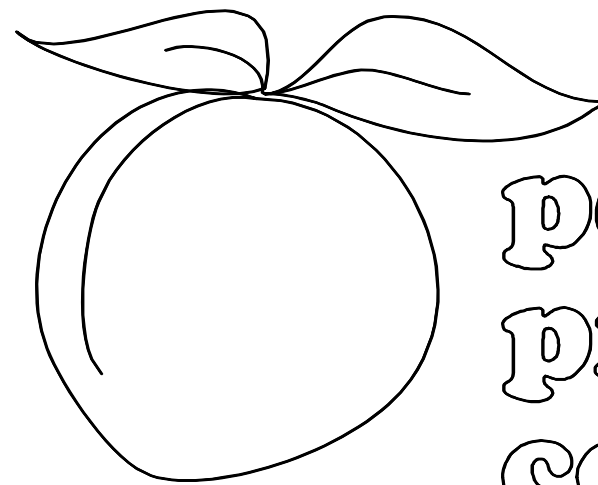


JOB # 3183



peachtree  
protective  
covers

SUPPORT SERVICES CENTER  
N.C. STATE UNIVERSITY

RALEIGH, NC

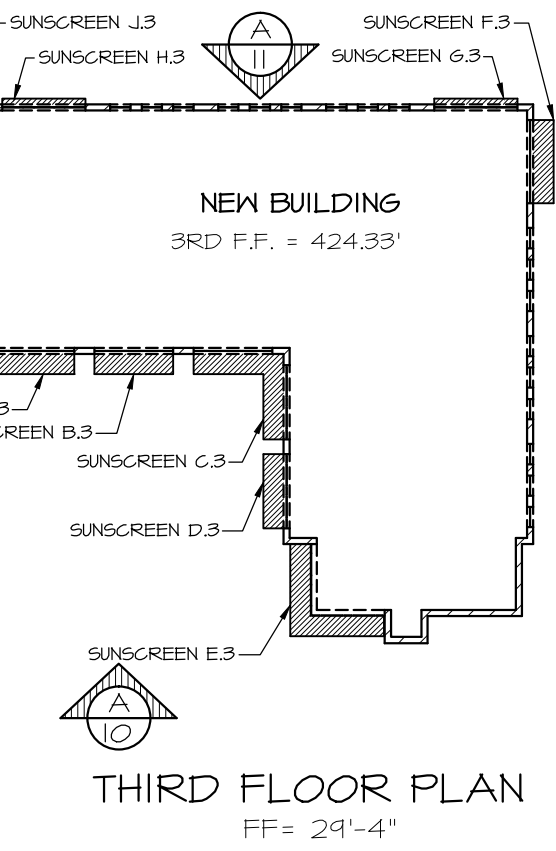
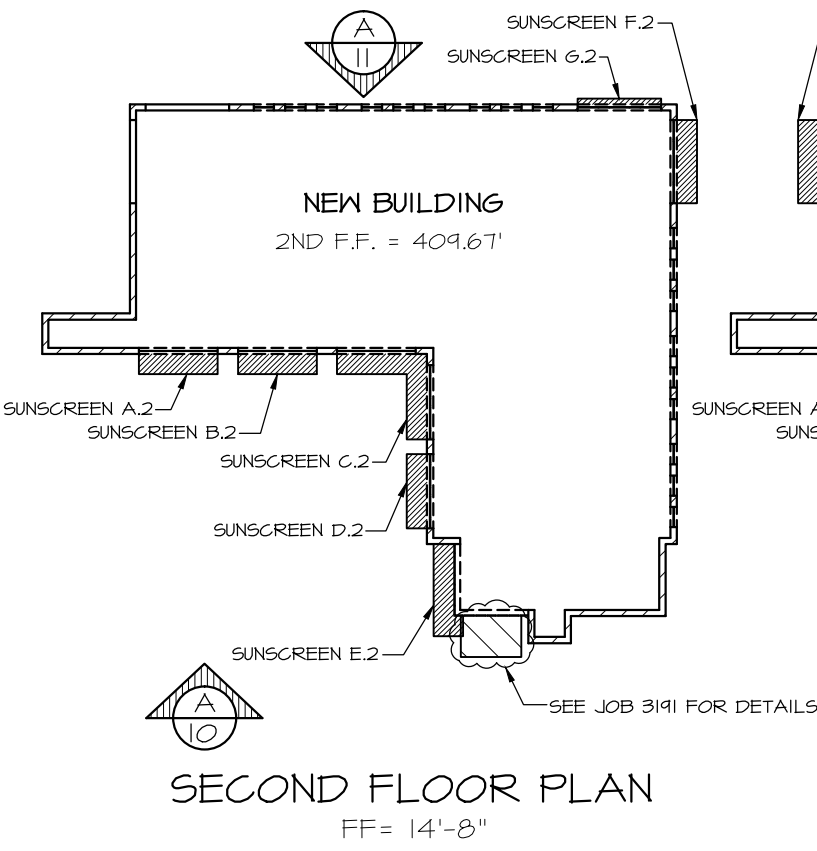
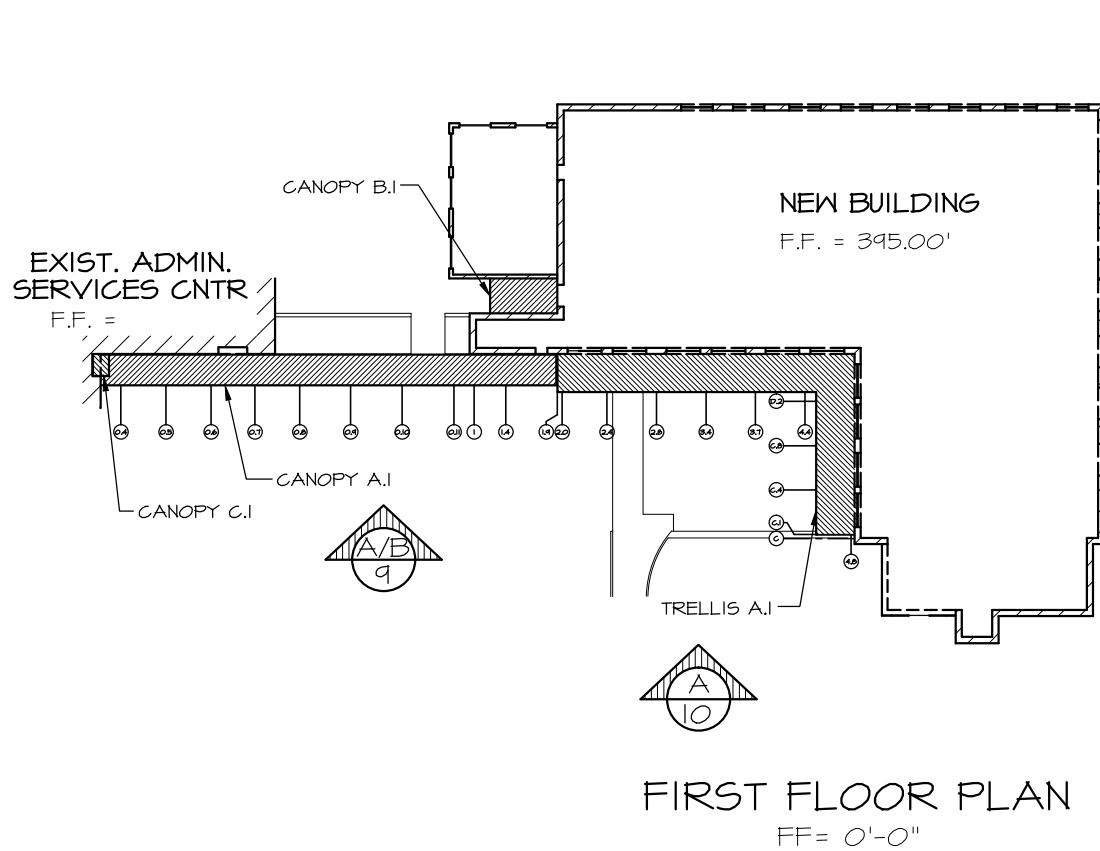
BY

SMALL KANE ARCHITECTS ,P.A.

JUNE 15, 2004

1477 ROSEDALE DRIVE  
HIRAM, GA 30141  
(770) 439-2120  
Fax (770) 439-2122

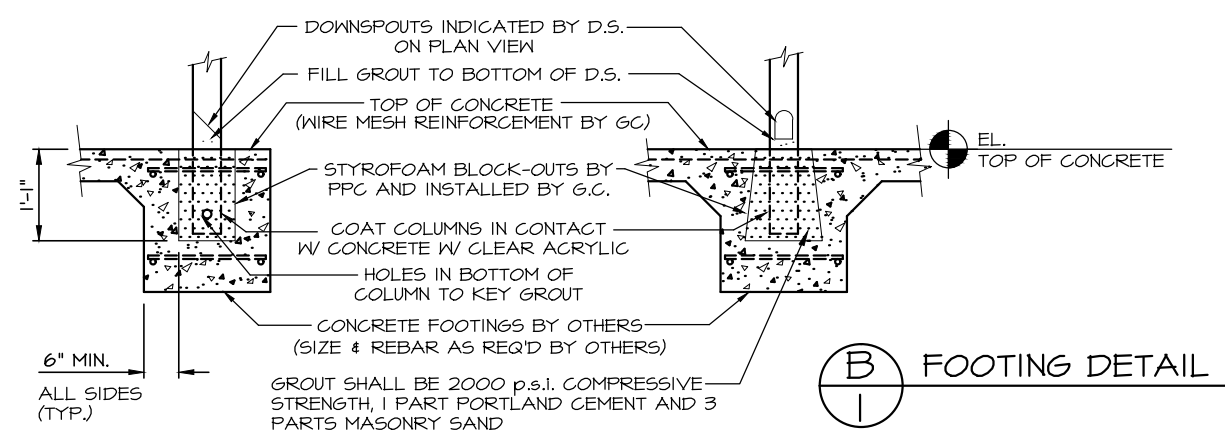
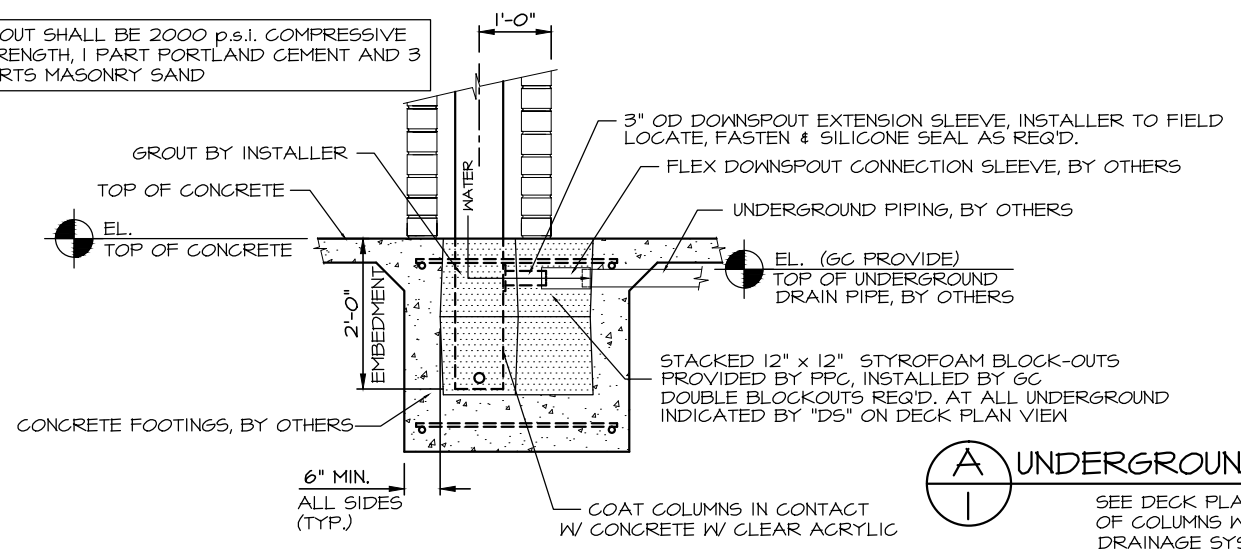
NOTE:  
PEACHTREE PROTECTIVE COVERS RESERVES  
THE RIGHT TO INSTALL MECHANICAL JOINTS  
IN COLUMNS THAT EXCEED SHIPPING LIMITATIONS.



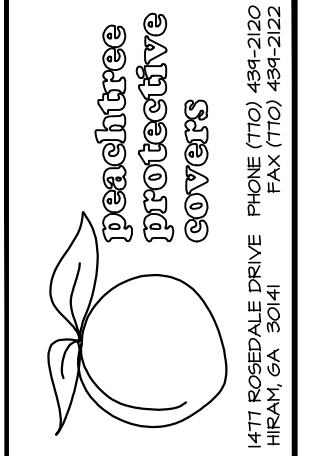
**KEY PLAN**



GROUT SHALL BE 2000 p.s.i. COMPRESSIVE STRENGTH, 1 PART PORTLAND CEMENT AND 3 PARTS MASONRY SAND



FINISH SCHEDULE		
DESCRIPTION	FINISH	COLOR
3 1/2" x 6" FLAT SOFFIT DECK	ANODIZED	CLEAR, CLASS II
6" ROUND FASCIA	ANODIZED	CLEAR, CLASS II
6"x6" COLUMN	ANODIZED	CLEAR, CLASS II
8"x6" COLUMN	ANODIZED	CLEAR, CLASS II
8"x6" BEAM	ANODIZED	CLEAR, CLASS II
1/2" CUSTOM TAPERED OUTRIGGER	KYNAR, 2 COAT	CLASSIC II BRIGHT SILVER
6"x2" TUBE	KYNAR, 2 COAT	CLASSIC II BRIGHT SILVER
4"x1" TUBE	KYNAR, 2 COAT	CLASSIC II BRIGHT SILVER
5" DIA. FASCIA TUBE	KYNAR, 2 COAT	CLASSIC II BRIGHT SILVER
4" DIA. FASCIA TUBE	KYNAR, 2 COAT	CLASSIC II BRIGHT SILVER



1477 ROSEDALE DRIVE PHONE (770) 434-2120  
HIRAM, GA 30141 FAX (770) 434-2122

JOB NAME: SUPPORT SERVICES CENTER N.C. STATE UNIV.  
LOCATION: RALEIGH, NC  
ARCHITECT: SMALL KANE ARCHITECTS P.A.  
CONTRACTOR: BORDEAUX CONSTRUCTION COMPANY, INC.

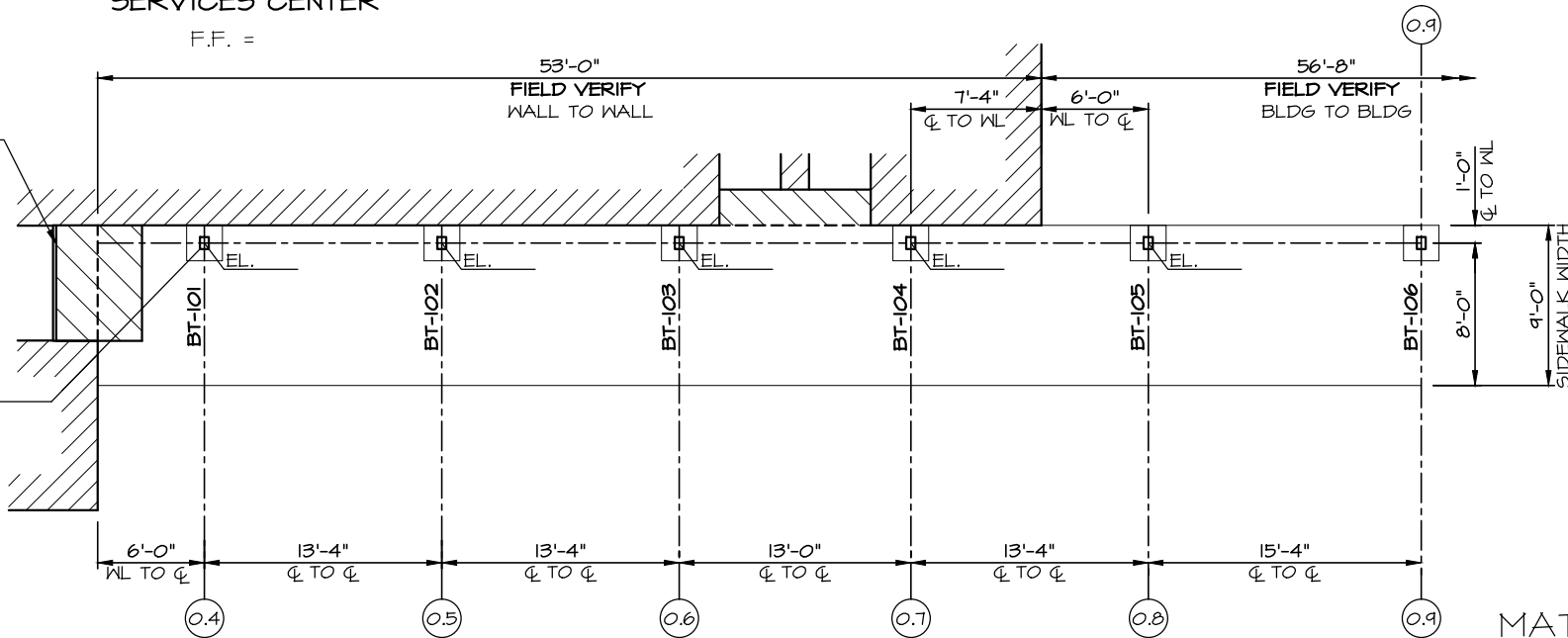
REVISIONS	
4/30/04 JCJ	
DRAWN: LISA	
SCALE: AS SHOWN	
DATE: 11/10/03	
JOB #	
3183	
SHT 1 OF 16	

EXIST. ADMINISTRATIVE SERVICES CENTER

F.F. =

CANOPY C.1  
SEE PAGE 5

12x12 BLOCKOUT (STYROFOAM)  
SUPPLIED BY PPC AND INSTALLED  
BY GC. USE THIS COLUMN SETTING PLAN  
PROVIDED BY PPC FOR LAYOUT.  
SEE DETAIL A/1 FOR FOOTING DETAIL.

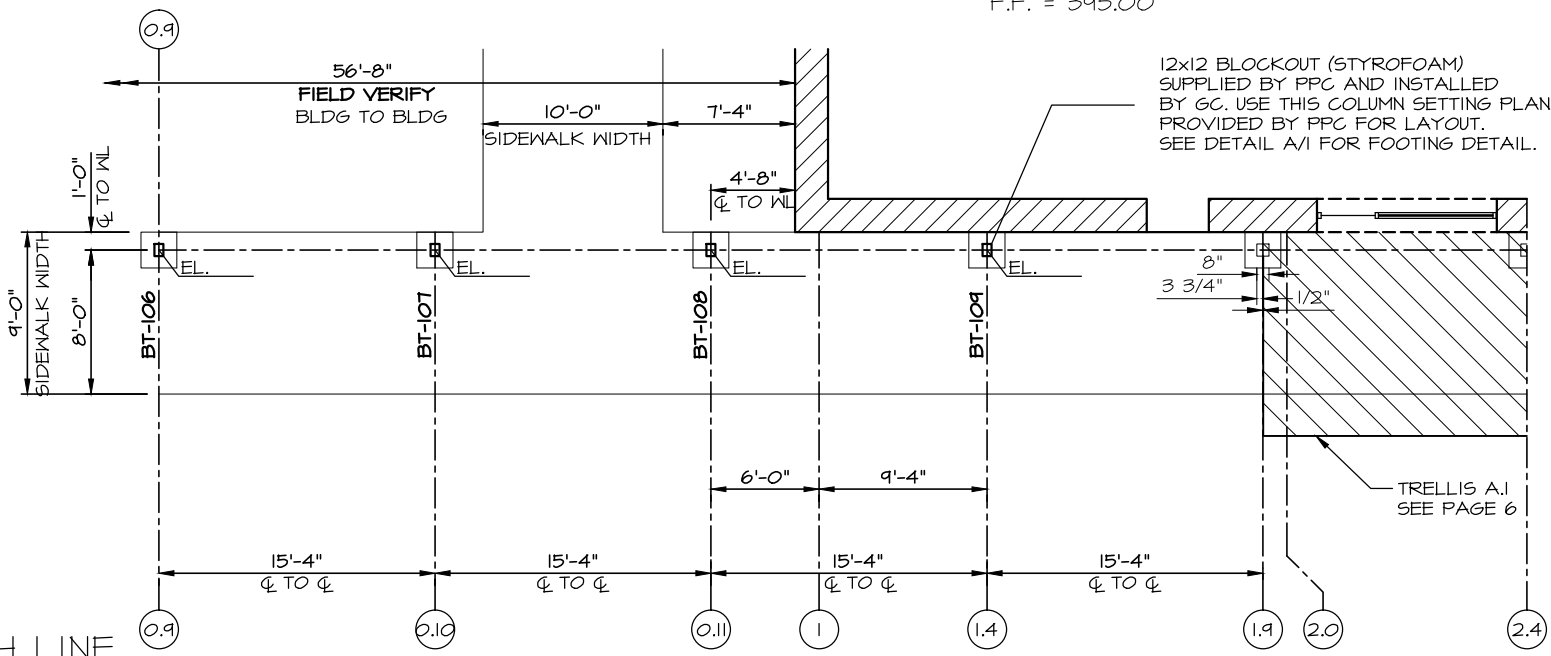


MATCH LINE  
THIS SHEET

NEW BUILDING

F.F. = 395.00'

12x12 BLOCKOUT (STYROFOAM)  
SUPPLIED BY PPC AND INSTALLED  
BY GC. USE THIS COLUMN SETTING PLAN  
PROVIDED BY PPC FOR LAYOUT.  
SEE DETAIL A/1 FOR FOOTING DETAIL.

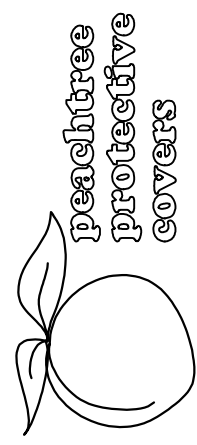


MATCH LINE  
THIS SHEET



COLUMN SETTING PLAN

CANOPY A.1



1477 ROSEDALE DRIVE PHONE (770) 434-2120  
HIRAM, GA 30141 FAX (770) 434-2122

JOB NAME: SUPPORT SERVICES CENTER N.C. STATE UNIV.

LOCATION: RALEIGH, NC

ARCHITECT: SMALL KANE ARCHITECTS P.A.

CONTRACTOR: BORDEAUX CONSTRUCTION COMPANY, INC.

REVISIONS

DRAWN: LISA

SCALE: AS SHOWN

DATE: 11/10/03

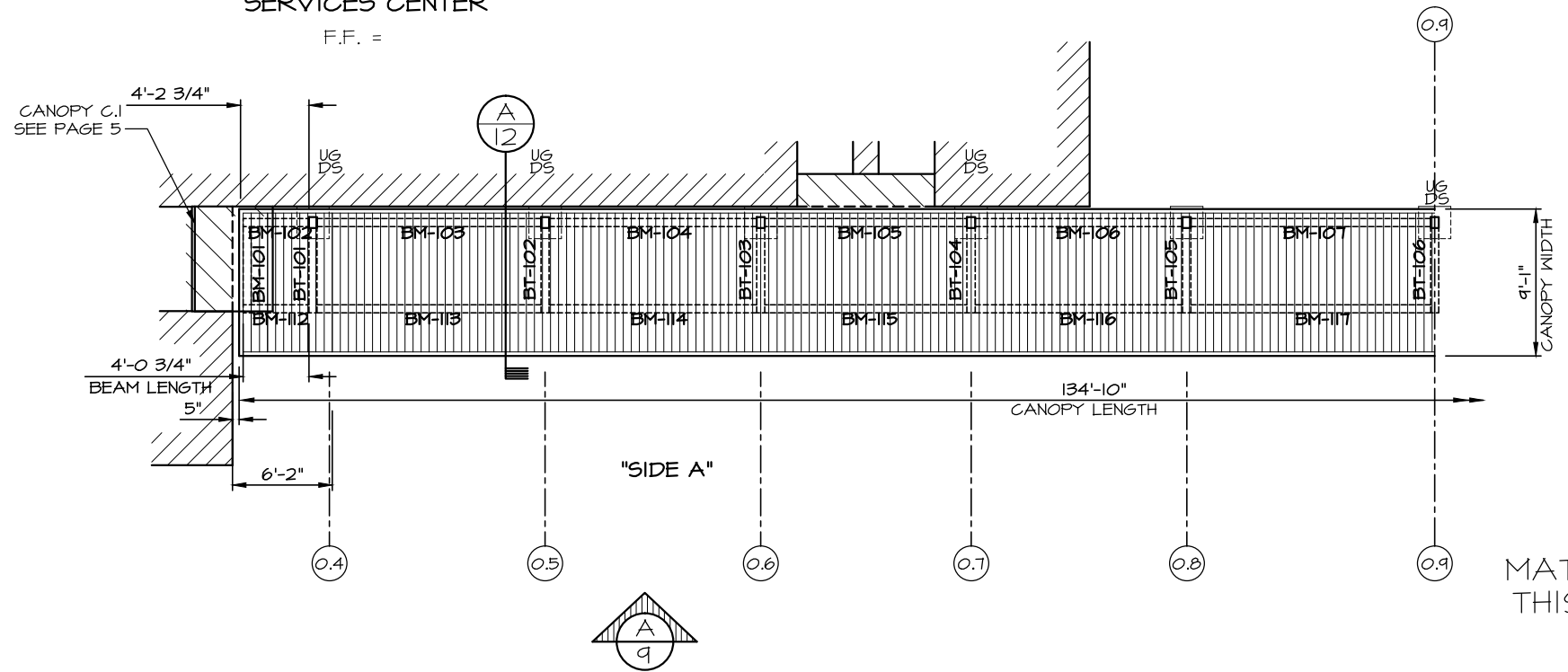
JOB #

3183

SHT 2 OF 16

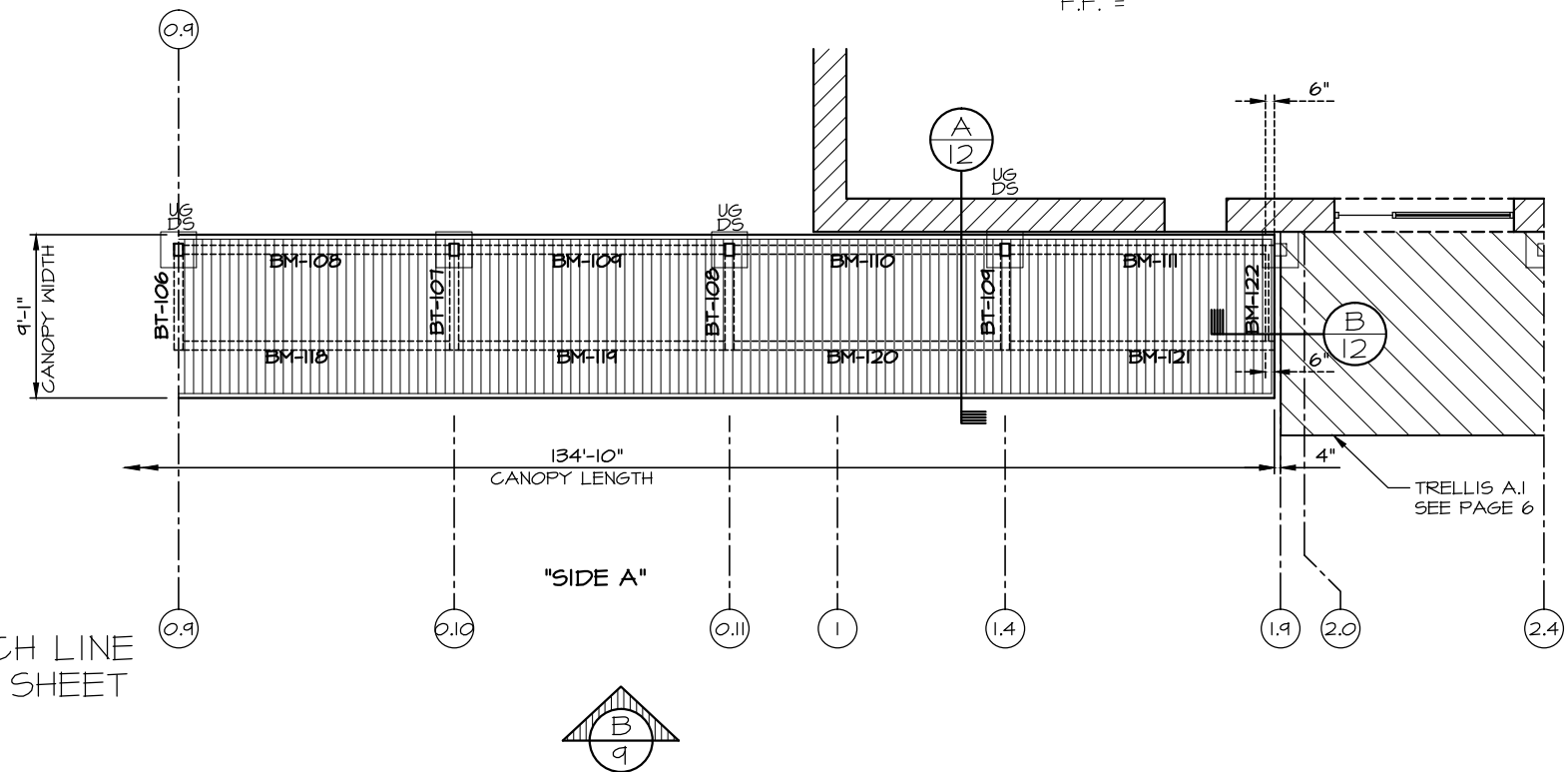
EXIST. ADMINISTRATIVE SERVICES CENTER

F.F. =



NEW BUILDING

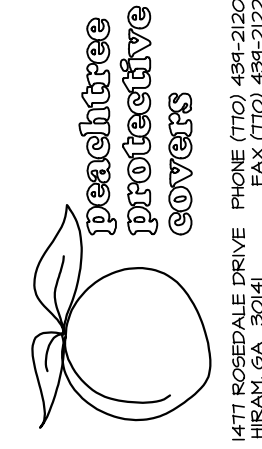
F.F. =



MATCH LINE THIS SHEET

**DECK PLAN**

CANOPY A.1



1477 ROSEDALE DRIVE PHONE (770) 434-2120  
HIRAM, GA 30141 FAX (770) 434-2122

JOB NAME: SUPPORT SERVICES CENTER N.C. STATE UNIV.

LOCATION: RALEIGH, NC

ARCHITECT: SMALL KANE ARCHITECTS P.A.

CONTRACTOR: BORDEAUX CONSTRUCTION COMPANY, INC.

REVISIONS

DRAWN: LISA

SCALE: AS SHOWN

DATE: 11/10/03

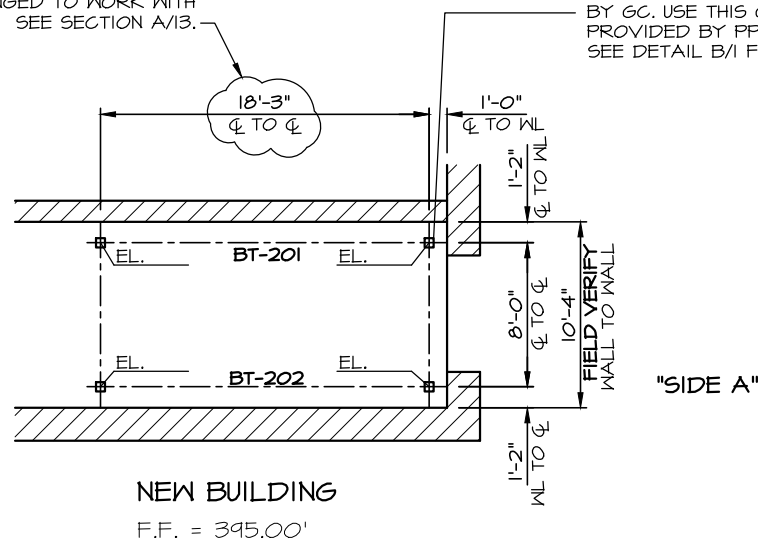
JOB #

3183

SHT 3 OF 16

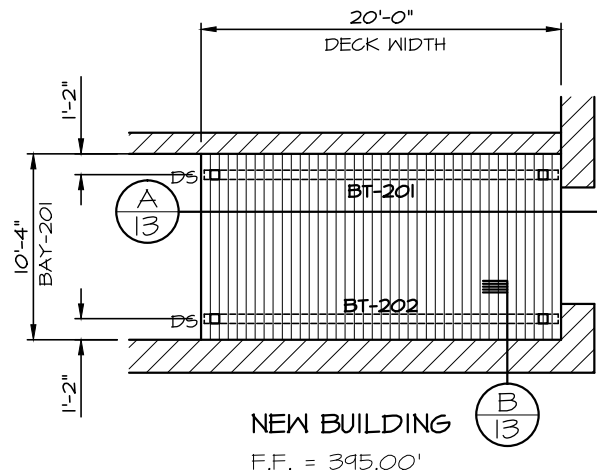
DIMENSION CHANGED TO WORK WITH FASCIA DESIGN. SEE SECTION A/13.

10x10 BLOCKOUT (STYROFOAM) SUPPLIED BY PPC AND INSTALLED BY GC. USE THIS COLUMN SETTING PLAN PROVIDED BY PPC FOR LAYOUT. SEE DETAIL B/1 FOR FOOTING DETAIL.



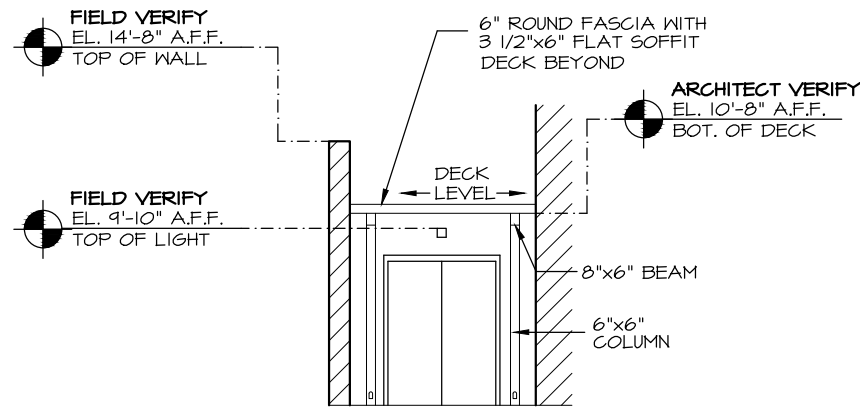
**COLUMN SETTING PLAN**

CANOPY B.I



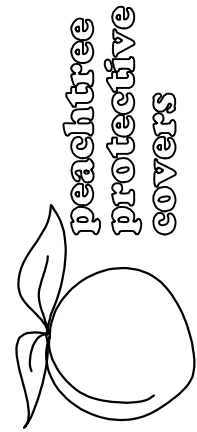
**DECK PLAN**

CANOPY B.I



**A**  
**4** ELEVATION  
CANOPY B.I

NOTE:  
SOME BACKGROUND DETAILS OMITTED FOR CLARITY.



1477 ROSEDALE DRIVE PHONE (770) 494-2120  
HIRAM, GA 30141 FAX (770) 494-2122

JOB NAME: SUPPORT SERVICES CENTER N.C. STATE UNIV.

LOCATION: RALEIGH, NC

ARCHITECT: SMALL KANE ARCHITECTS P.A.

CONTRACTOR: BORDEAUX CONSTRUCTION COMPANY, INC.

REVISIONS

DRAWN: LISA

SCALE: AS SHOWN

DATE: 11/10/03

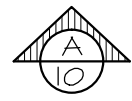
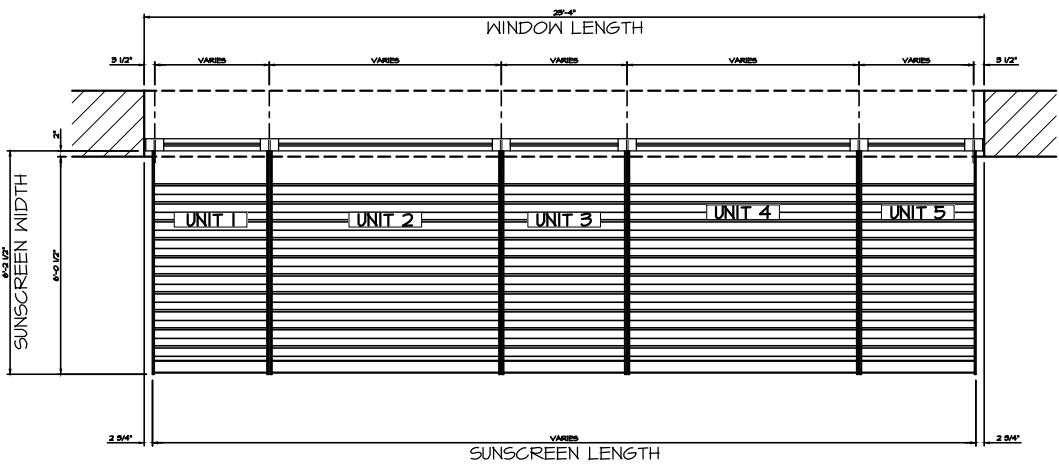
JOB #

3183

SHT 4 OF 16

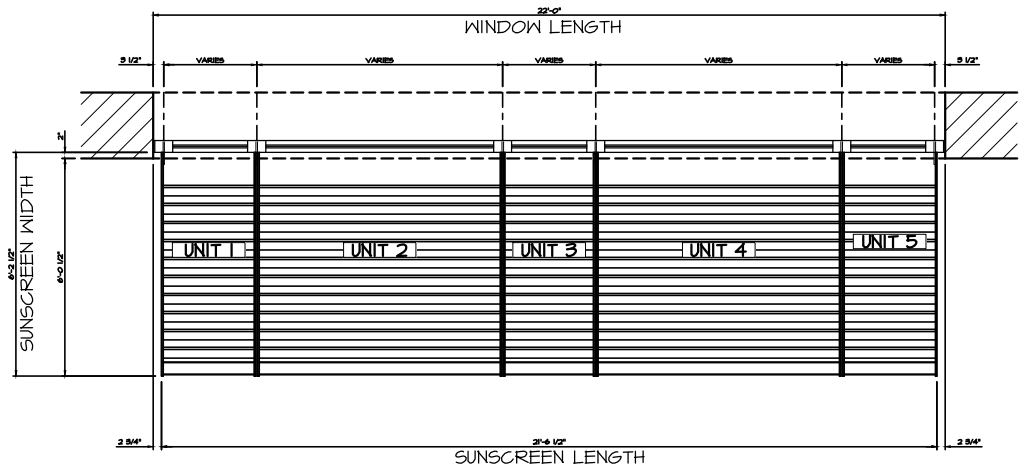






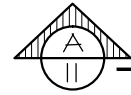
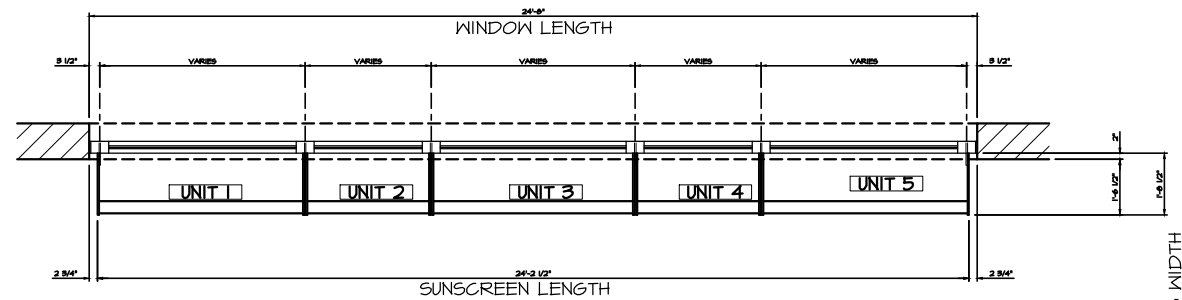
### SUNSCREEN PLAN

SUNSCREENS A.2 & B.2 (SEE SECTION B/15)  
 SUNSCREENS A.3 & B.3 (SEE SECTION A/15)



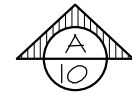
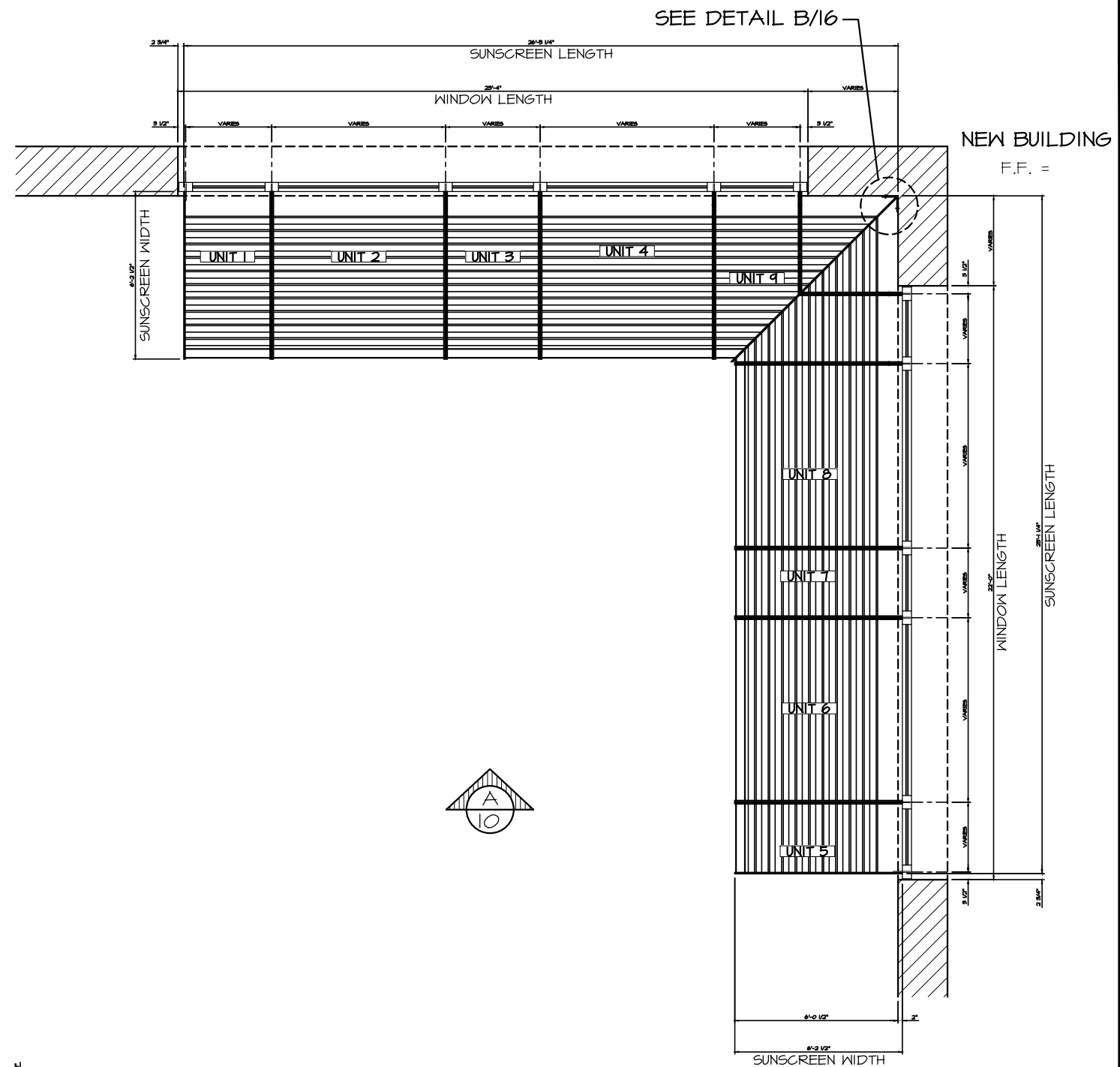
### SUNSCREEN PLAN

SUNSCREENS D.2 (SEE SECTION B/15)  
 SUNSCREENS D.3 (SEE SECTION A/15)



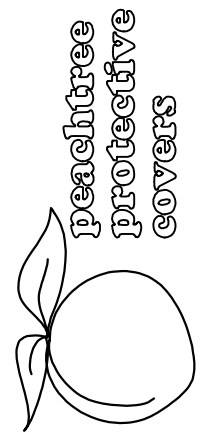
### SUNSCREEN PLAN

SUNSCREENS G.2 (SEE SECTION D/15)  
 SUNSCREENS G.3 & H.3 (SEE SECTION C/15)



### SUNSCREEN PLAN

SUNSCREENS C.2 (SEE SECTION B/15)  
 SUNSCREENS C.3 (SEE SECTION A/15)



1477 ROSEDALE DRIVE PHONE (770) 434-2120  
 HIRAM, GA 30141 FAX (770) 434-2122

JOB NAME: SUPPORT SERVICES CENTER N.C. STATE UNIV.

LOCATION: RALEIGH, NC

ARCHITECT: SMALL KANE ARCHITECTS P.A.

CONTRACTOR: BORDEAUX CONSTRUCTION COMPANY, INC.

#### REVISIONS

4/30/04 JCY	
6/14/04 JCY	

DRAWN: LISA

SCALE: AS SHOWN

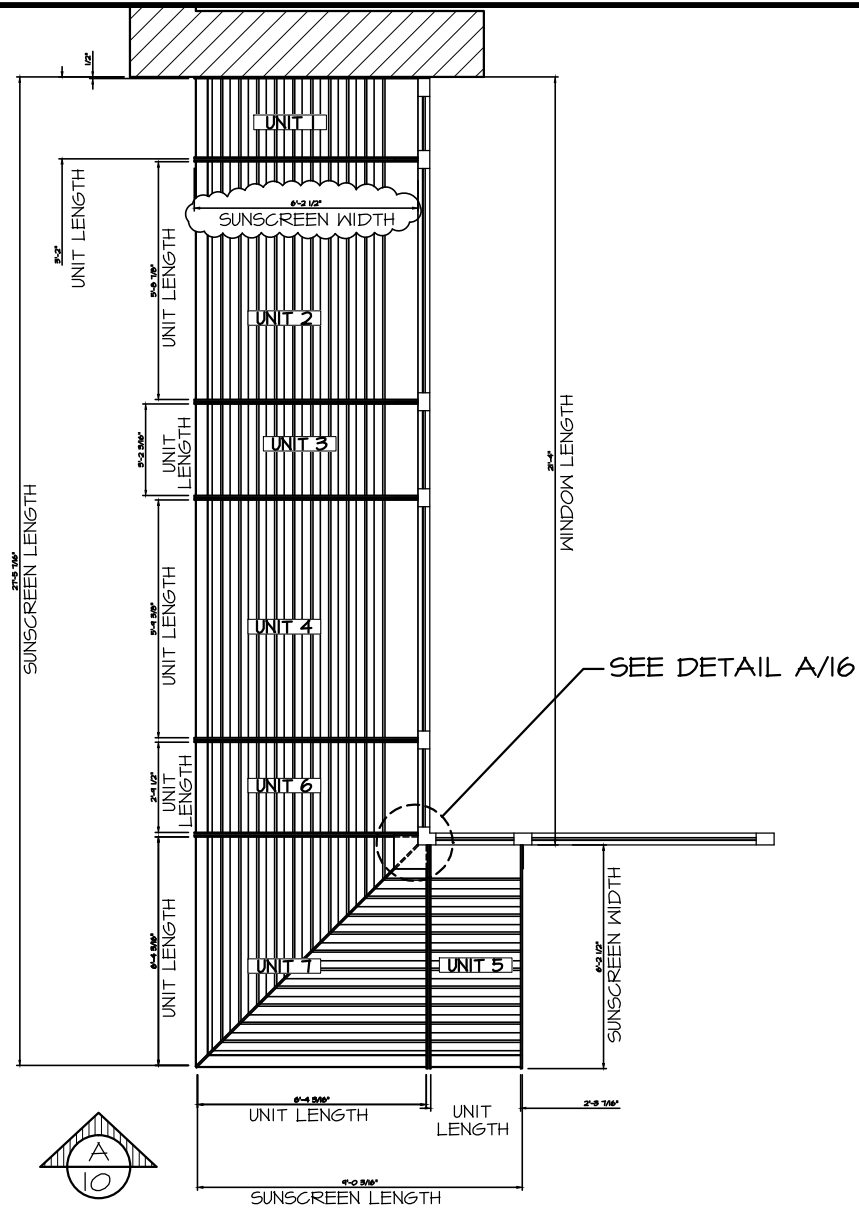
DATE: 11/10/03

JOB #

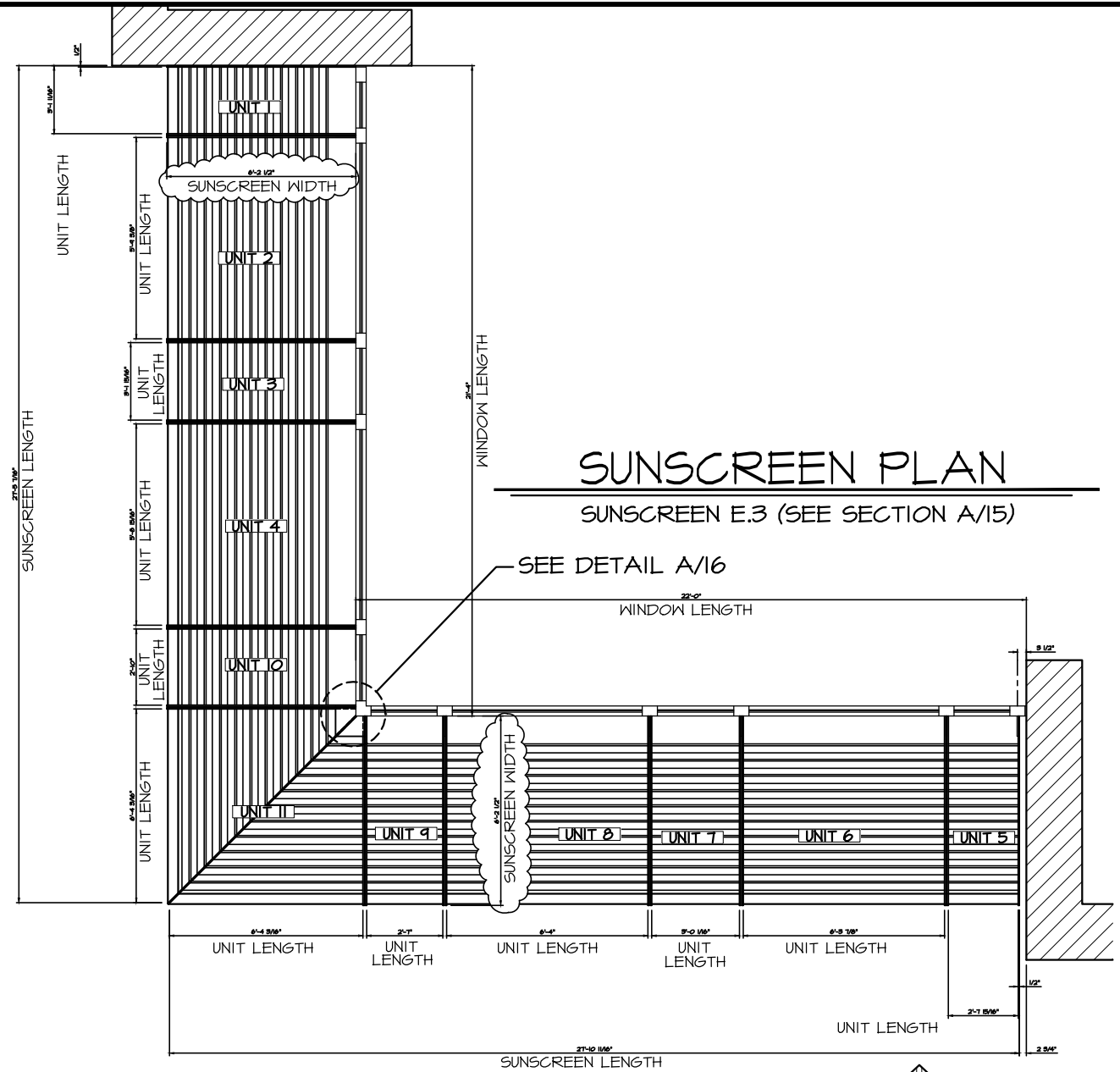
3183

SHT 7 OF 16

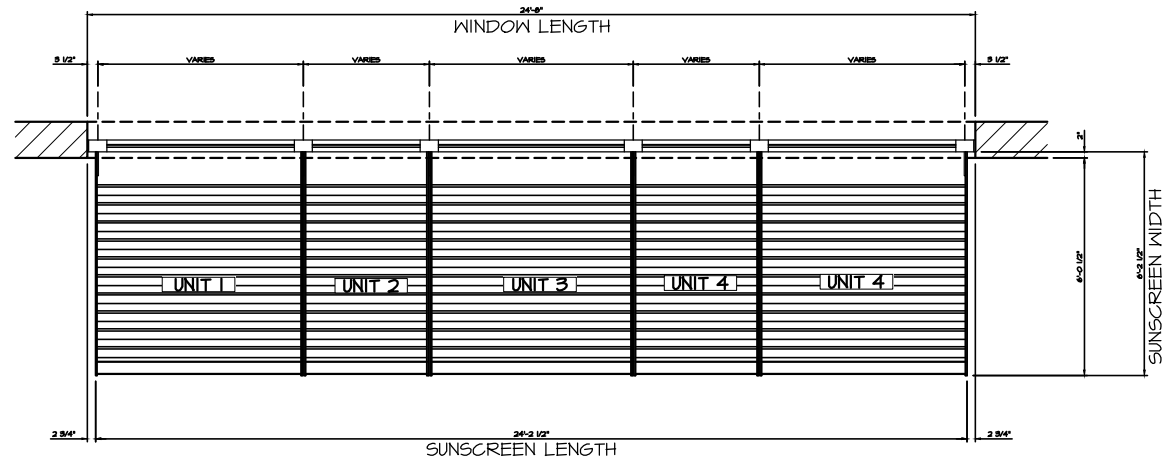




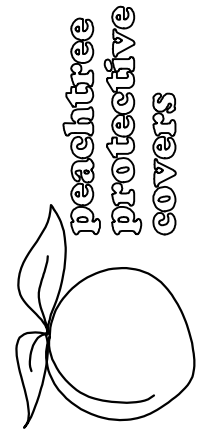
**SUNSCREEN PLAN**  
SUNSCREEN E.2 (SEE SECTION B/15)



**SUNSCREEN PLAN**  
SUNSCREEN E.3 (SEE SECTION A/15)



**SUNSCREEN PLAN**  
SUNSCREENS F.2 (SEE SECTION B/15)  
SUNSCREENS F.3 & J.3 (SEE SECTION A/15)



peachtree  
protective  
covers  
1477 ROSEDALE DRIVE PHONE (770) 434-2120  
HIRAM, GA 30141 FAX (770) 434-2122

JOB NAME: SUPPORT SERVICES CENTER N.C. STATE UNIV.

LOCATION: RALEIGH, NC

ARCHITECT: SMALL KANE ARCHITECTS P.A.

CONTRACTOR: BORDEAUX CONSTRUCTION COMPANY, INC.

**REVISIONS**

4/30/04 JCJ	
6/16/04 JCJ	

DRAWN: LISA

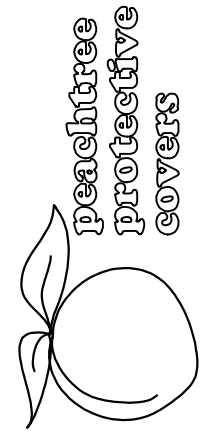
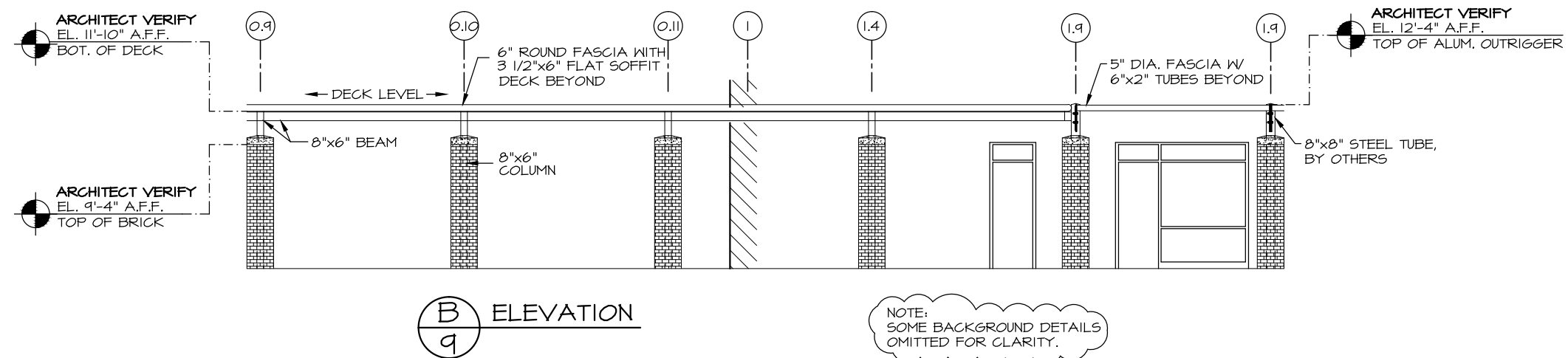
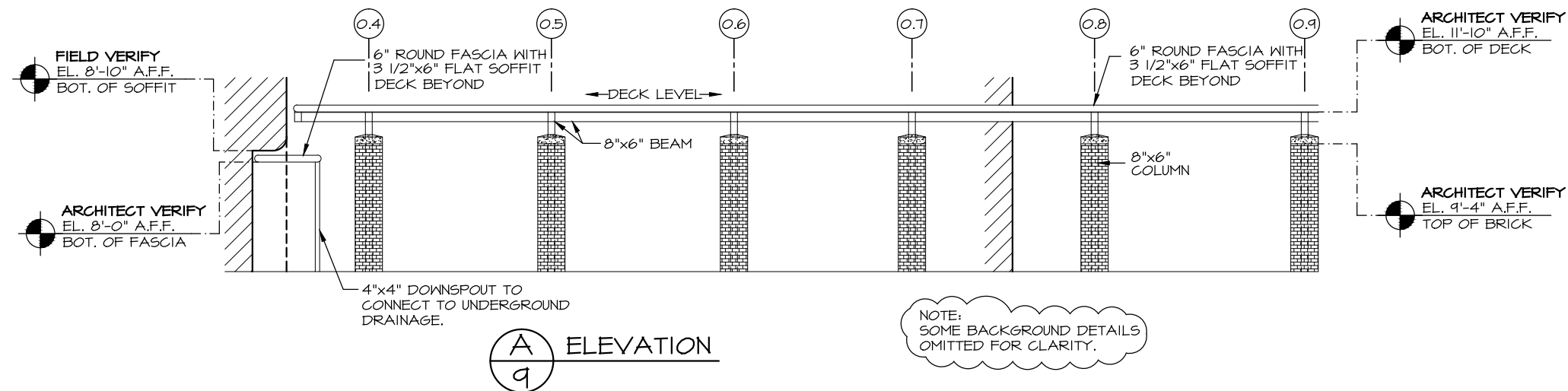
SCALE: AS SHOWN

DATE: 11/10/03

JOB #

3183

SHT 8 OF 16



peachtree  
protective  
covers

1477 ROSEDALE DRIVE PHONE (770) 494-2120  
HIRAM, GA 30141 FAX (770) 494-2122

JOB NAME: SUPPORT SERVICES CENTER N.C. STATE UNIV.

LOCATION: RALEIGH, NC

ARCHITECT: SMALL KANE ARCHITECTS P.A.

CONTRACTOR: BORDEAUX CONSTRUCTION COMPANY, INC.

REVISIONS

DRAWN: LISA

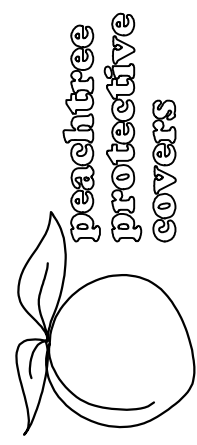
SCALE: AS SHOWN

DATE: 11/10/03

JOB #

3183

SHT 9 OF 16

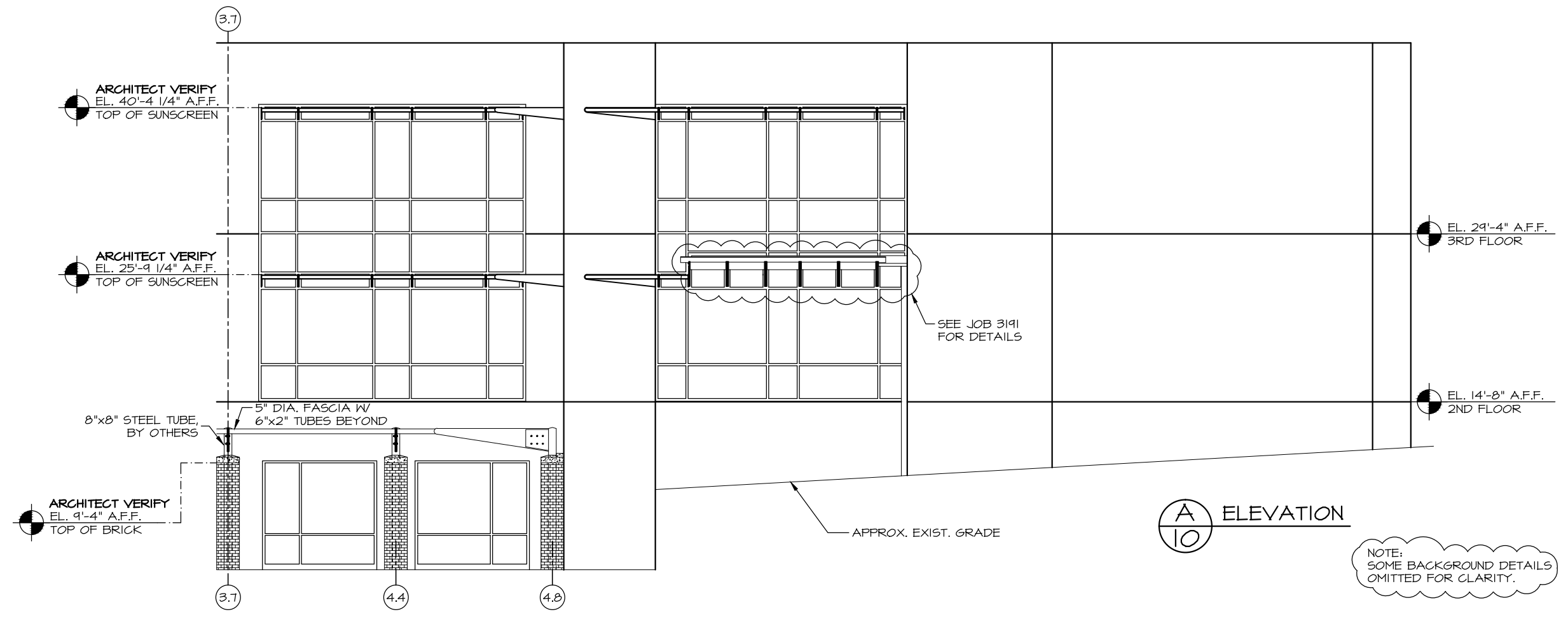
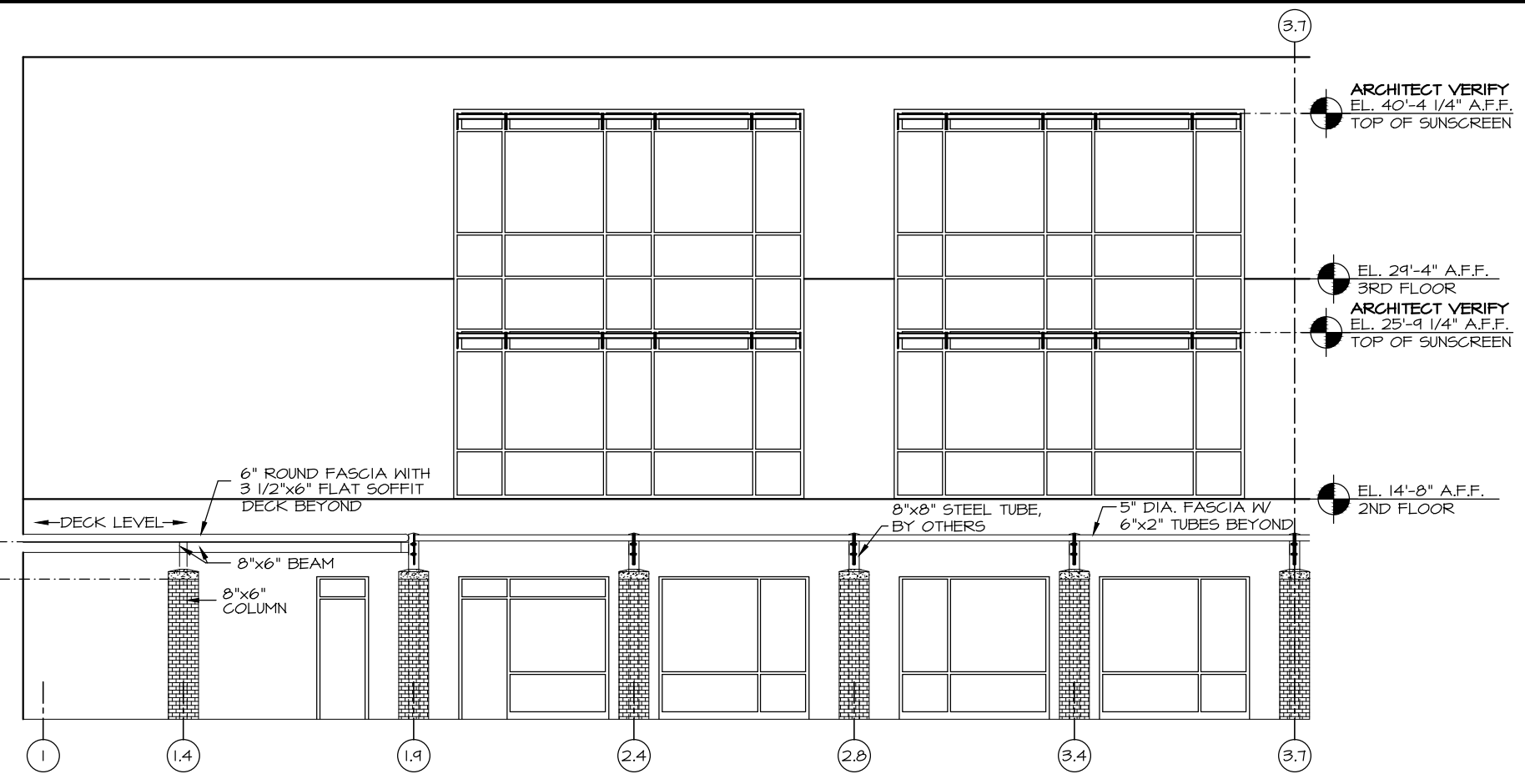


peachtree  
protective  
covers  
1477 ROSEDALE DRIVE PHONE (770) 434-2120  
HIRAM, GA 30141 FAX (770) 434-2122

JOB NAME: SUPPORT SERVICES CENTER N.C. STATE UNIV.  
LOCATION: RALEIGH, NC  
ARCHITECT: SMALL KANE ARCHITECTS P.A.  
CONTRACTOR: BORDEAUX CONSTRUCTION COMPANY, INC.

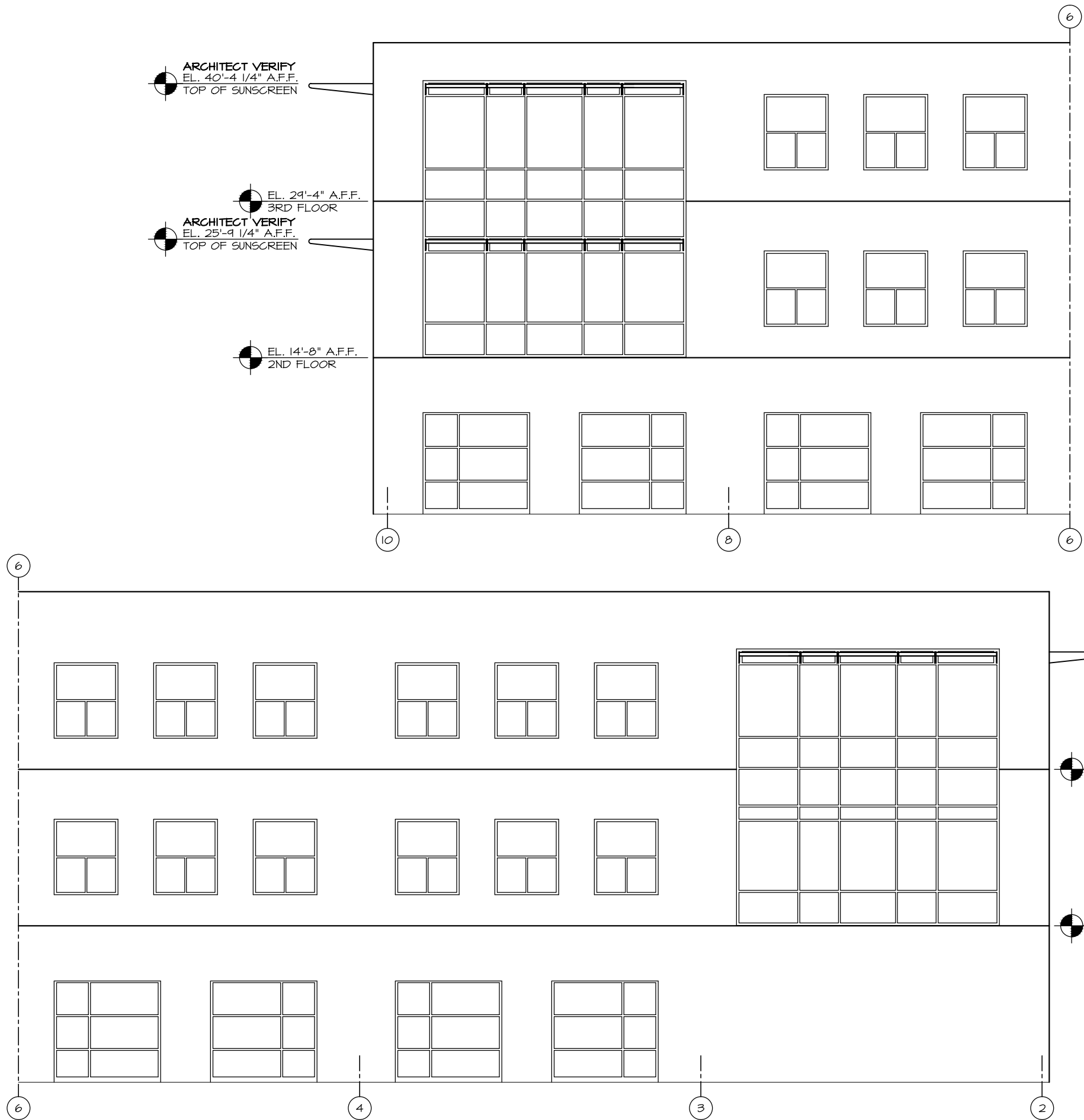
REVISIONS


DRAWN: LISA  
SCALE: AS SHOWN  
DATE: 11/10/03  
JOB #  
**3183**  
SHT 10 OF 16



(A)  
10 ELEVATION

NOTE:  
SOME BACKGROUND DETAILS  
OMITTED FOR CLARITY.



ARCHITECT VERIFY  
EL. 40'-4 1/4" A.F.F.  
TOP OF SUNSCREEN

EL. 29'-4" A.F.F.  
3RD FLOOR  
ARCHITECT VERIFY  
EL. 25'-9 1/4" A.F.F.  
TOP OF SUNSCREEN

EL. 14'-8" A.F.F.  
2ND FLOOR

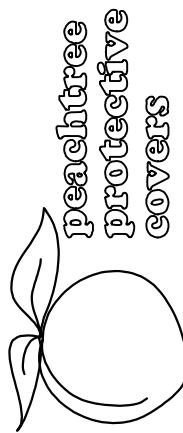
ARCHITECT VERIFY  
EL. 40'-4 1/4" A.F.F.  
TOP OF SUNSCREEN

EL. 29'-4" A.F.F.  
3RD FLOOR

EL. 14'-8" A.F.F.  
2ND FLOOR

A  
ELEVATION  
II

NOTE:  
SOME BACKGROUND DETAILS  
OMITTED FOR CLARITY.



1477 ROSEDALE DRIVE PHONE (770) 434-2120  
HIRAM, GA 30141 FAX (770) 434-2122

JOB NAME: SUPPORT SERVICES CENTER N.C. STATE UNIV.

LOCATION: RALEIGH, NC

ARCHITECT: SMALL KANE ARCHITECTS P.A.

CONTRACTOR: BORDEAUX CONSTRUCTION COMPANY, INC.

REVISIONS

DRAWN: LISA

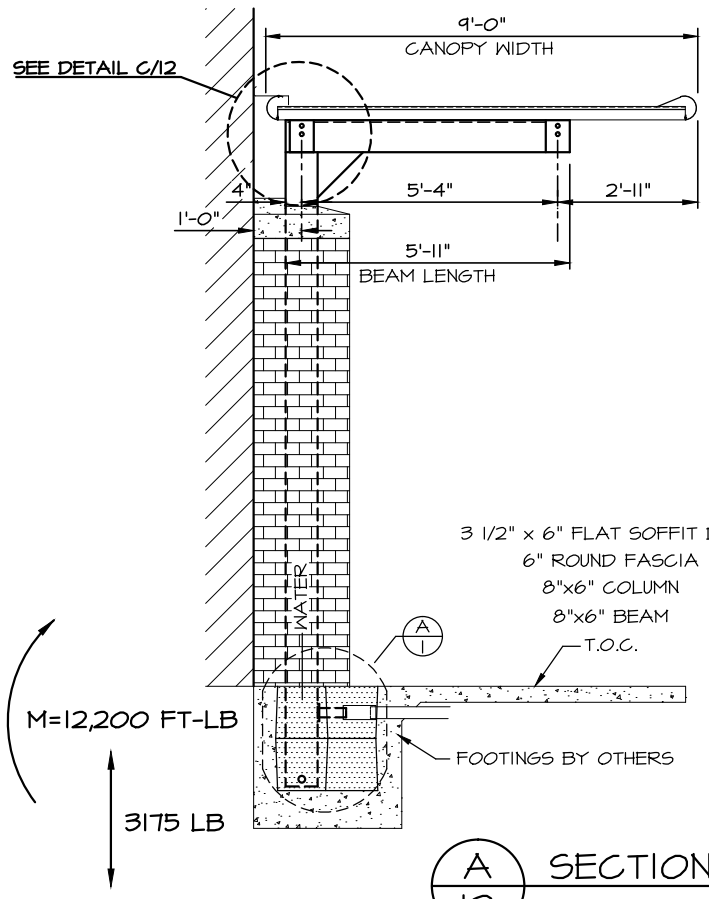
SCALE: AS SHOWN

DATE: 11/10/03

JOB #

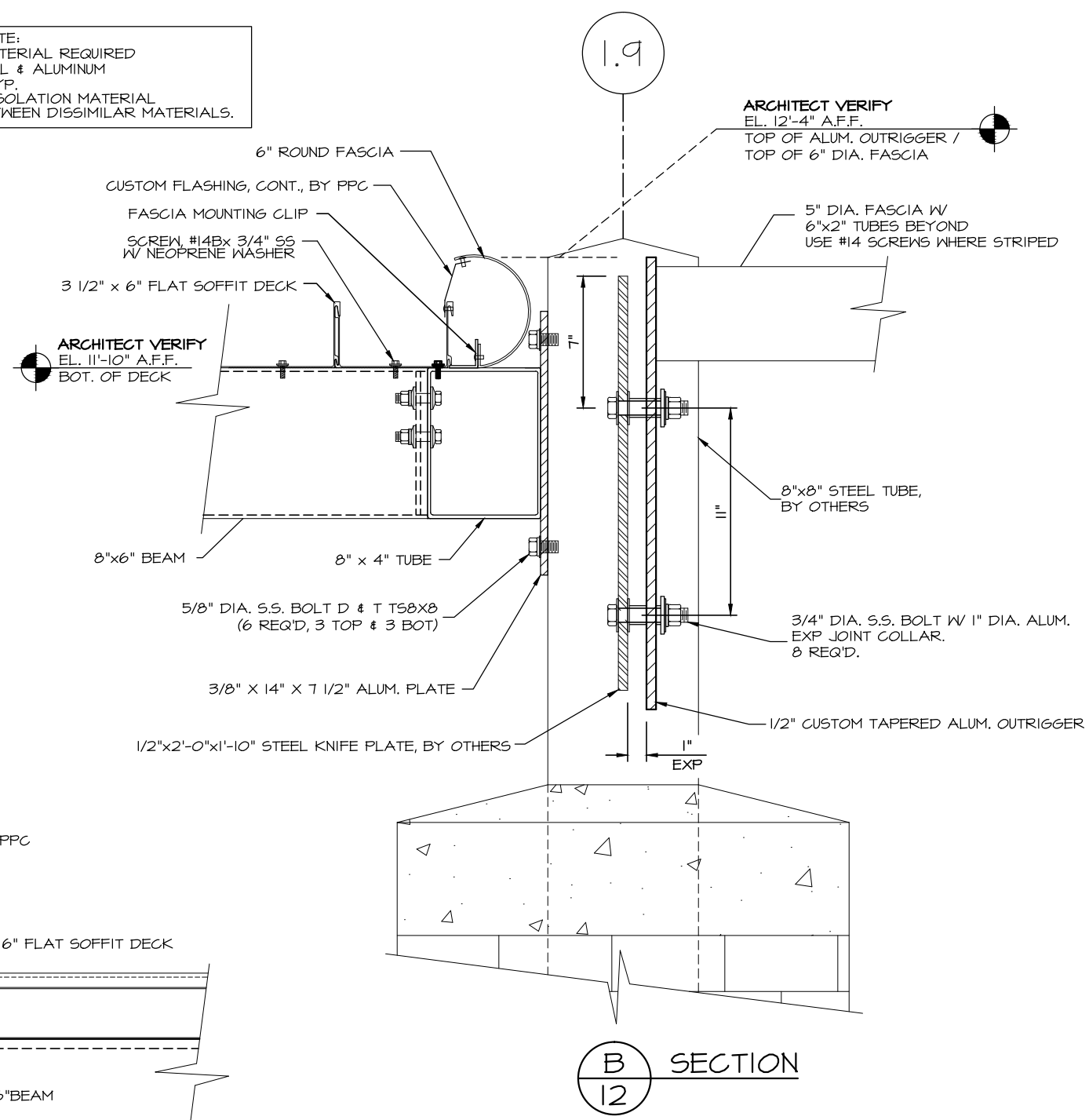
3183

SHT 11 OF 16

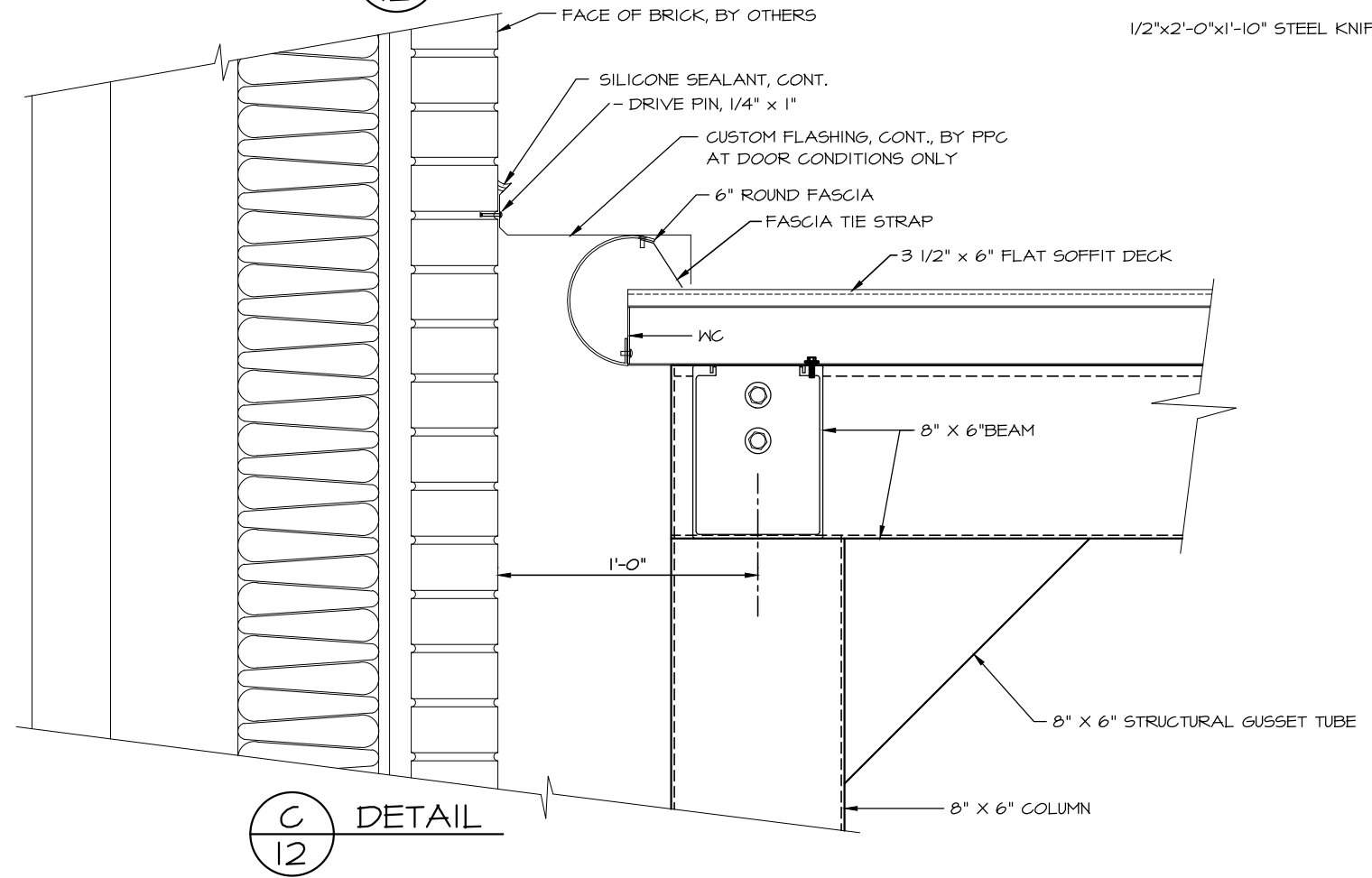


**A**  
12 SECTION

INSTALLER NOTE:  
ISOLATION MATERIAL REQUIRED  
BETWEEN STEEL & ALUMINUM  
MATERIALS, TYP.  
#15 LB. FELT ISOLATION MATERIAL  
REQUIRED BETWEEN DISSIMILAR MATERIALS.



**B**  
12 SECTION



**C**  
12 DETAIL



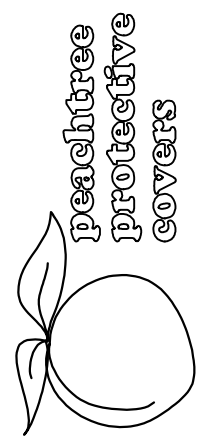
1477 ROSEDALE DRIVE PHONE (770) 434-2120  
HIRAM, GA 30141 FAX (770) 434-2122

JOB NAME: SUPPORT SERVICES CENTER N.C. STATE UNIV.  
LOCATION: RALEIGH, NC  
ARCHITECT: SMALL KANE ARCHITECTS P.A.  
CONTRACTOR: BORDEAUX CONSTRUCTION COMPANY, INC.

REVISIONS	
2/1/05 RW	
DRAWN: LISA	
SCALE: AS SHOWN	
DATE: 11/10/03	
JOB #	
3183	
SHT 12 OF 16	







peachtree  
protective  
covers

1477 ROSEDALE DRIVE PHONE (770) 434-2120  
HIRAM, GA 30141 FAX (770) 434-2122

JOB NAME: SUPPORT SERVICES CENTER N.C. STATE UNIV.

LOCATION: RALEIGH, NC

ARCHITECT: SMALL KANE ARCHITECTS P.A.

CONTRACTOR: BORDEAUX CONSTRUCTION COMPANY, INC.

REVISIONS


DRAWN: LISA

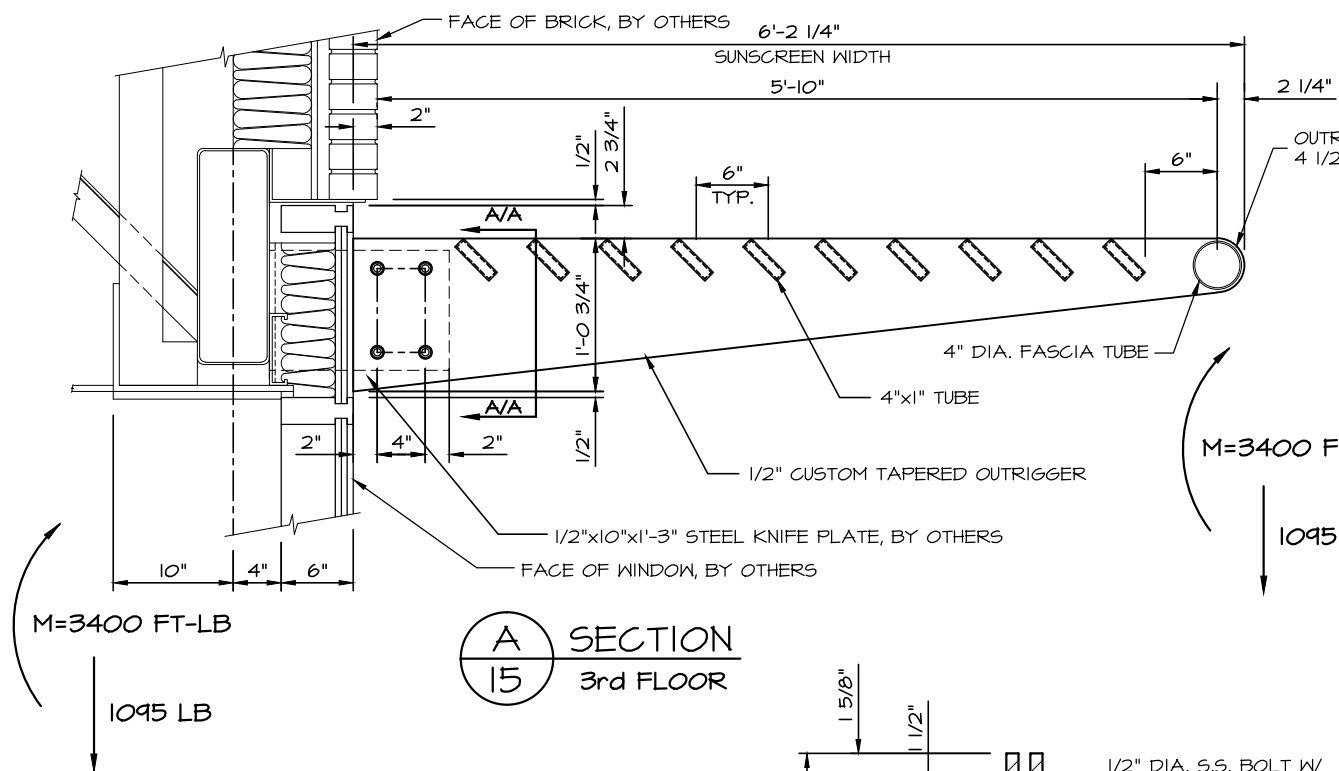
SCALE: AS SHOWN

DATE: 11/10/03

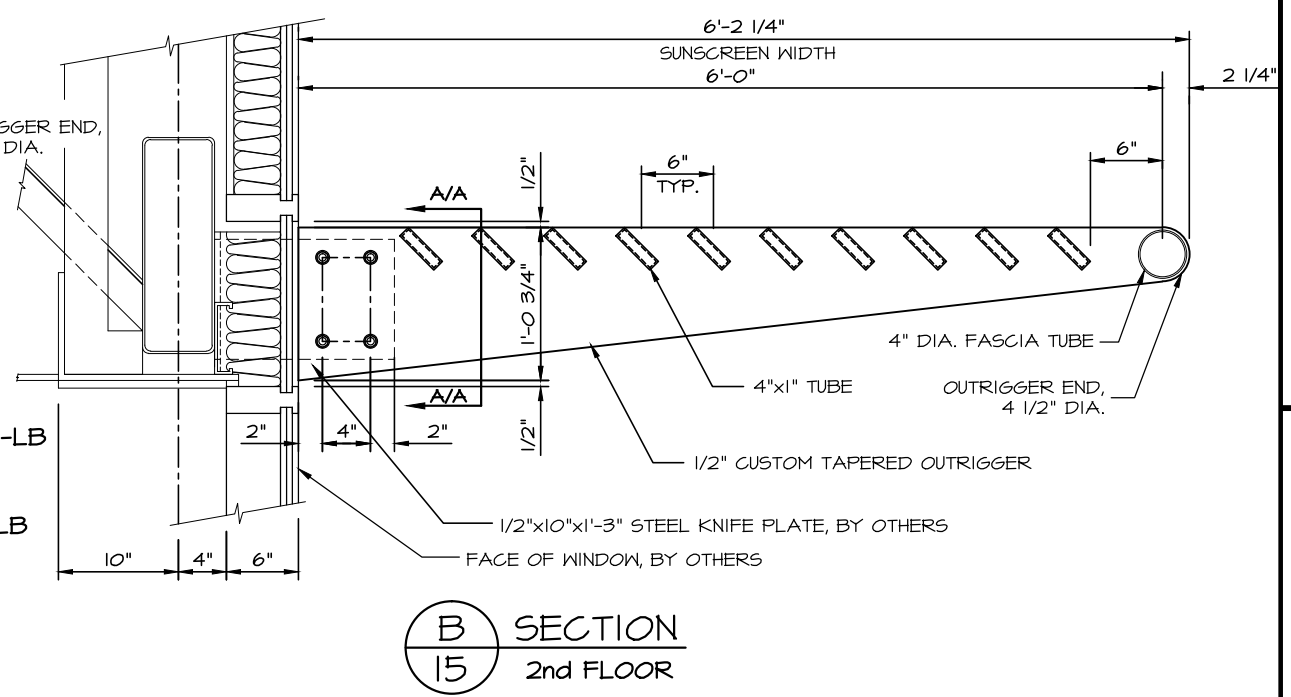
JOB #

3183

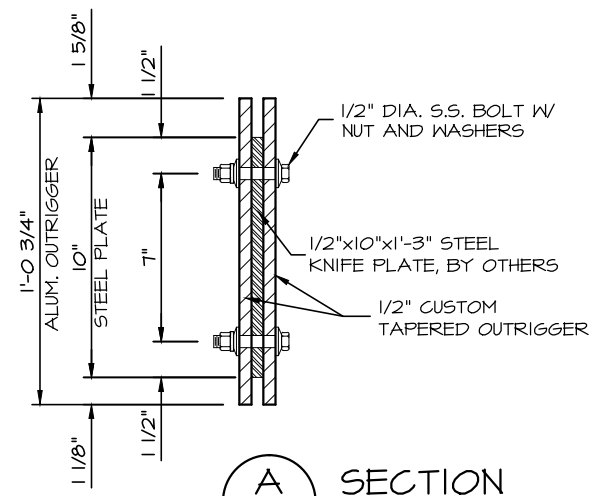
SHT 15 OF 16



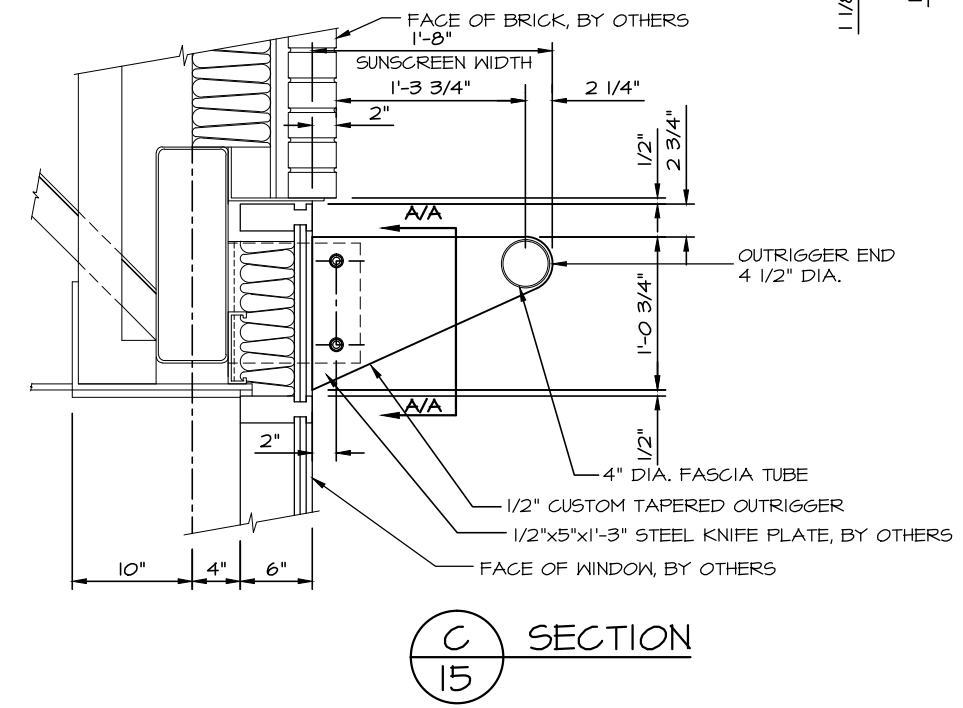
**A** SECTION  
15  
3rd FLOOR



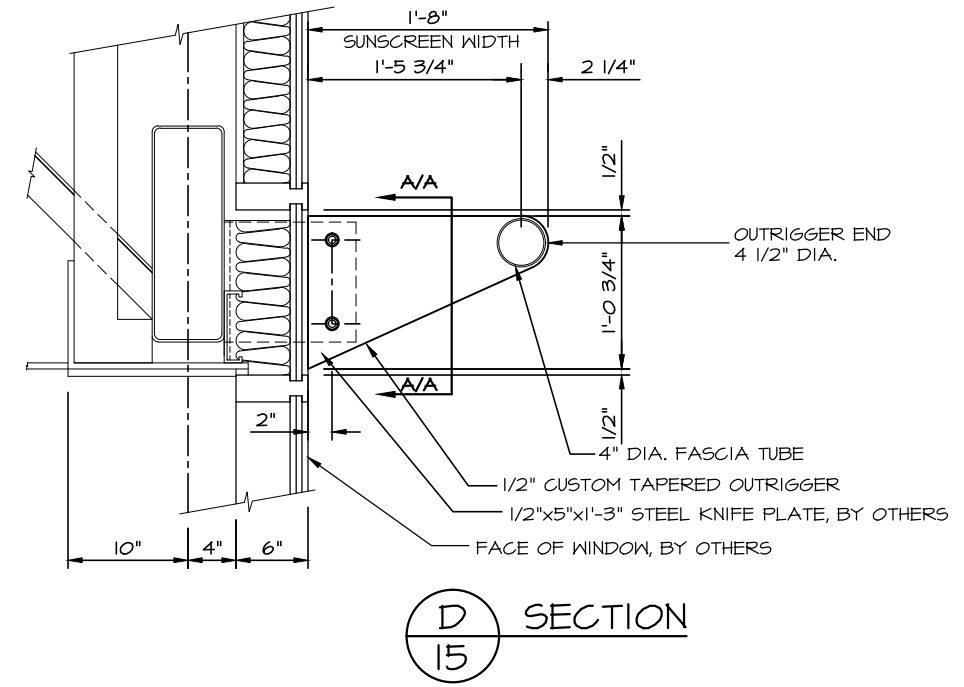
**B** SECTION  
15  
2nd FLOOR



**A** SECTION  
A

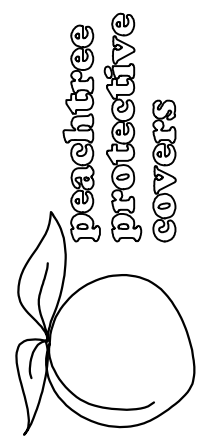


**C** SECTION  
15



**D** SECTION  
15





peachtree  
protective  
covers  
1477 ROSEDALE DRIVE PHONE (770) 494-2120  
HIRAM, GA 30141 FAX (770) 494-2122

JOB NAME: SUPPORT SERVICES CENTER N.C. STATE UNIV.

LOCATION: RALEIGH, NC

ARCHITECT: SMALL KANE ARCHITECTS P.A.

CONTRACTOR: BORDEAUX CONSTRUCTION COMPANY, INC.

REVISIONS


DRAWN: LISA

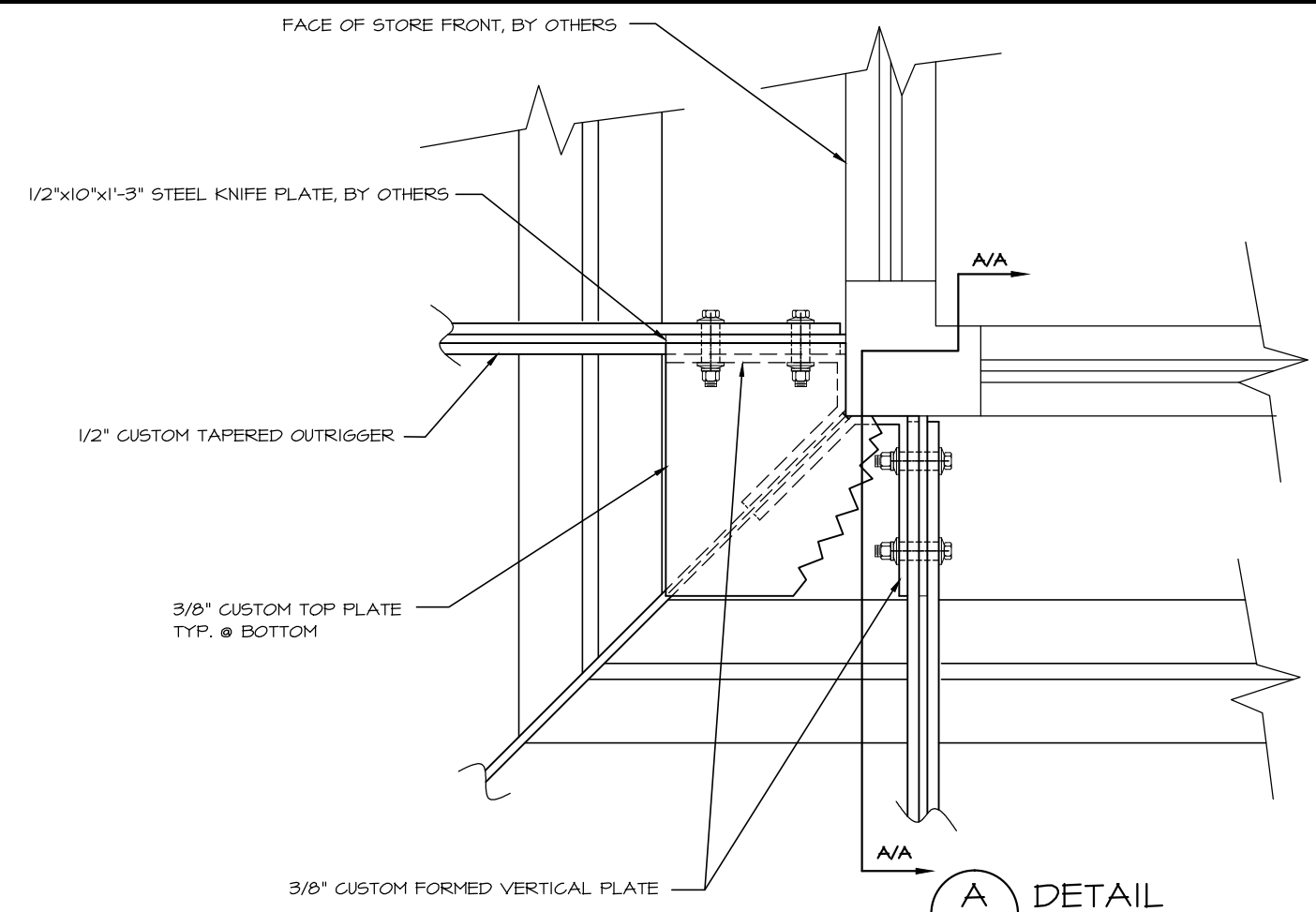
SCALE: AS SHOWN

DATE: 11/10/03

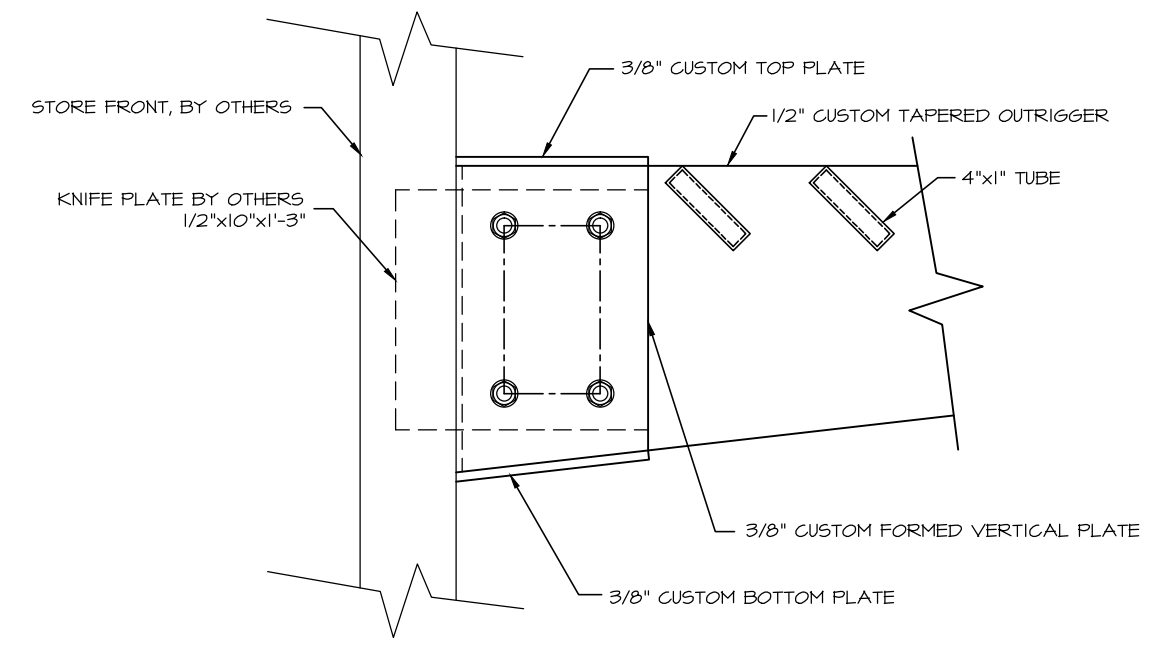
JOB #

3183

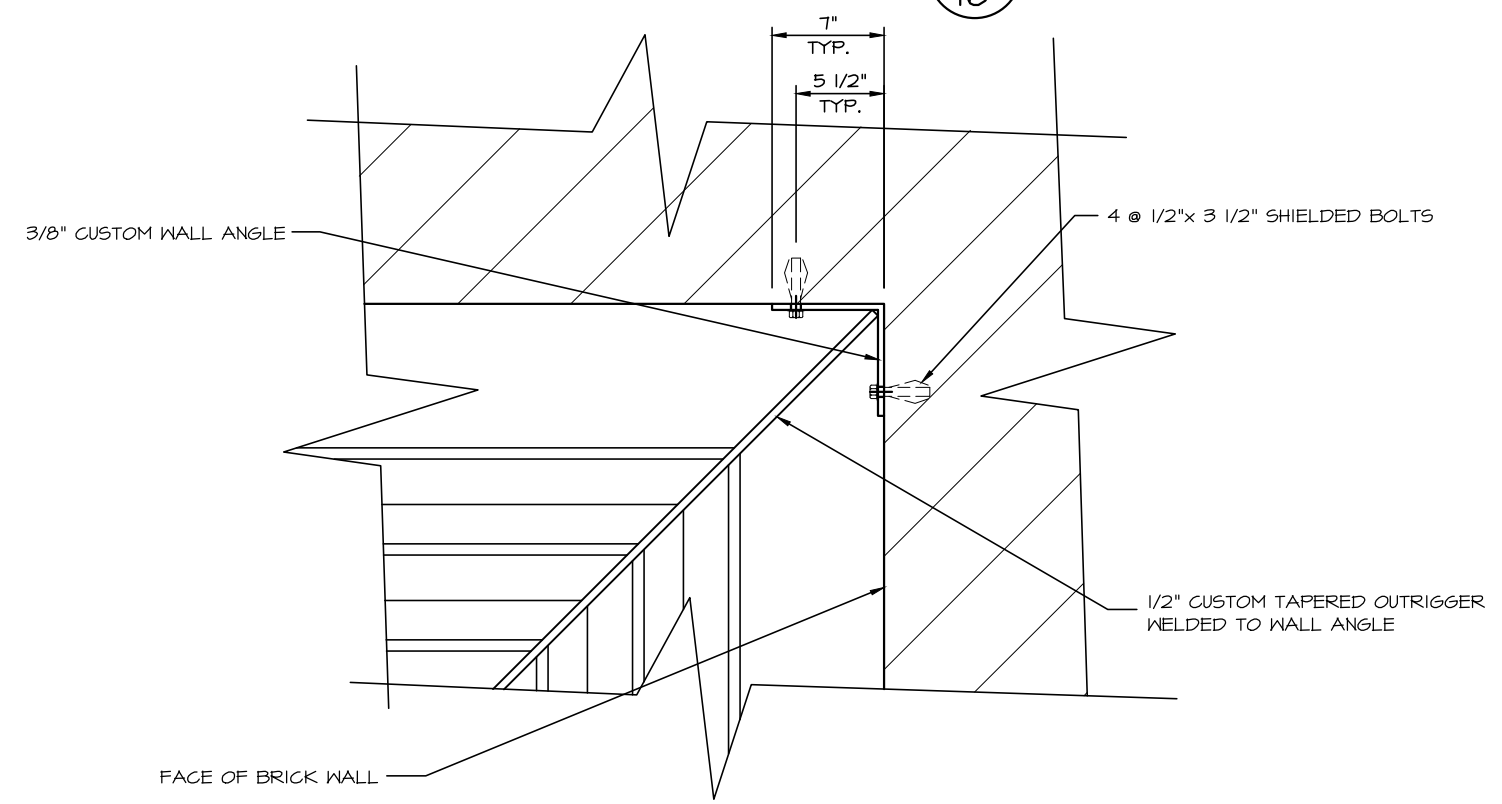
SHT 16 OF 16



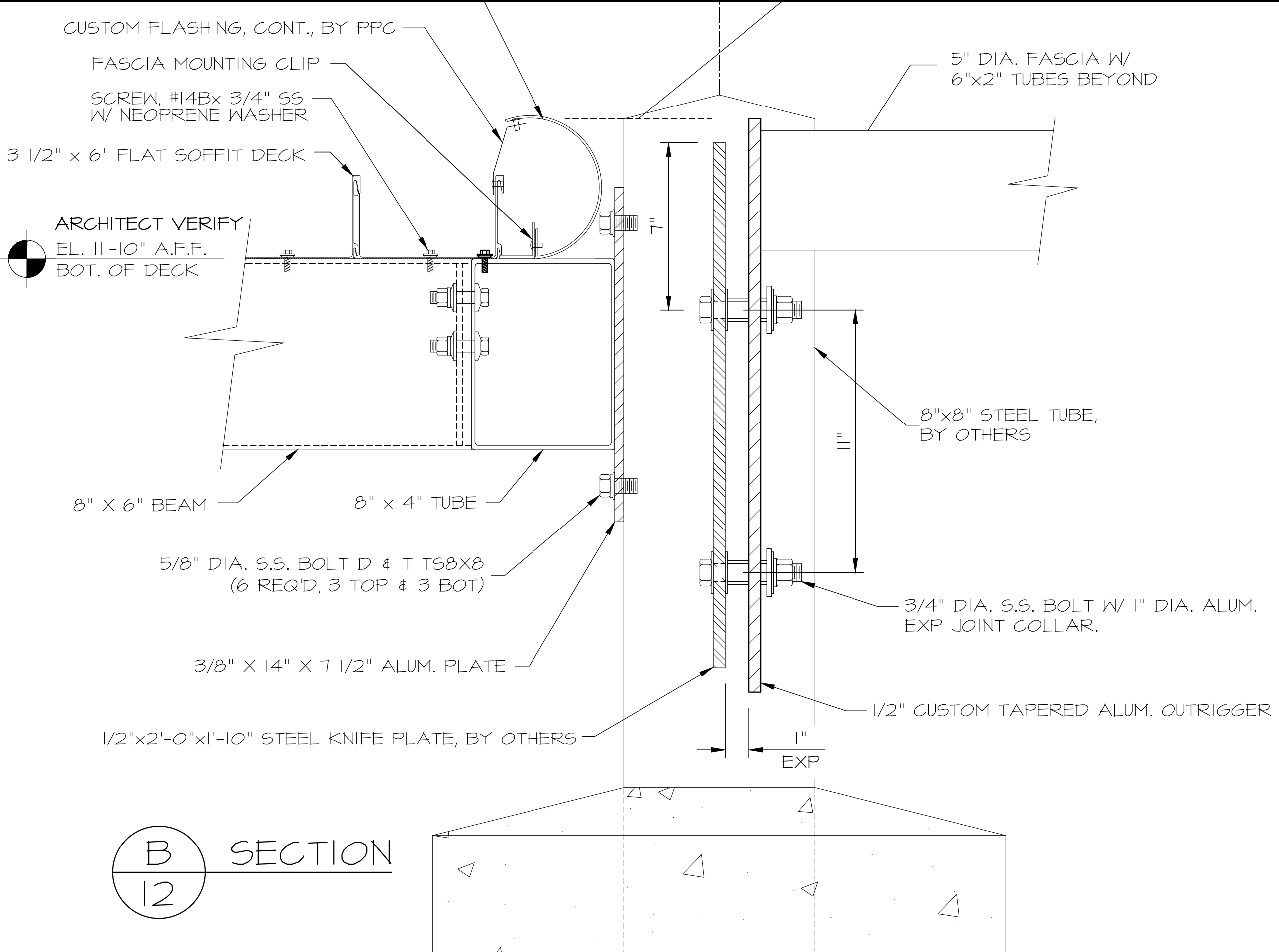
**A**  
16  
DETAIL



SECTION **A**  
A



**B**  
16  
DETAIL



CUSTOM FLASHING, CONT., BY PPC

FASCIA MOUNTING CLIP

SCREW, #14Bx 3/4" SS  
W/ NEOPRENE WASHER

3 1/2" x 6" FLAT SOFFIT DECK

ARCHITECT VERIFY  
EL. 11'-10" A.F.F.  
BOT. OF DECK

5" DIA. FASCIA W/  
6"x2" TUBES BEYOND

8" x 6" BEAM

8" x 4" TUBE

5/8" DIA. S.S. BOLT D & T TS8X8  
(6 REQ'D, 3 TOP & 3 BOT)

3/8" x 14" x 7 1/2" ALUM. PLATE

1/2"x2'-0"x1'-10" STEEL KNIFE PLATE, BY OTHERS

8"x8" STEEL TUBE,  
BY OTHERS

3/4" DIA. S.S. BOLT W/ 1" DIA. ALUM.  
EXP JOINT COLLAR.

1/2" CUSTOM TAPERED ALUM. OUTRIGGER

B SECTION  
12



1477 ROSEDALE DRIVE HIRAM, GA 30141  
PHONE (770) 434-2120  
FAX (770) 434-2122

JOB NAME: SUPPORT SERVICES CENTER N.C. STATE UNIV.  
LOCATION: RALEIGH, NC  
ARCHITECT: SMALL KANE ARCHITECTS P.A.  
CONTRACTOR: BORDEAUX CONSTRUCTION COMPANY, INC.

REVISIONS	
2/7/05 RW	
DRAWN: LISA	
SCALE: AS SHOWN	
DATE: 11/10/03	
JOB #	
3183	
SHT 16A OF 16	