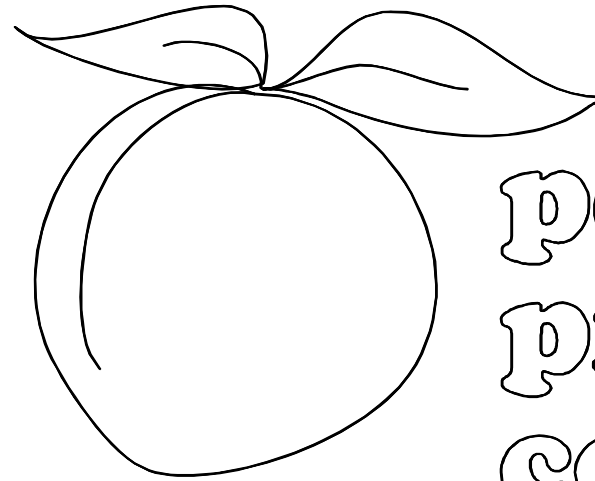


REVISION HISTORY

DATE	DESCRIPTION
02/27/08	1ST SUBMITTAL
3/28/08	INITIAL F&F

JOB # 4327



peachtree  
protective  
covers

ONE CITY CENTER

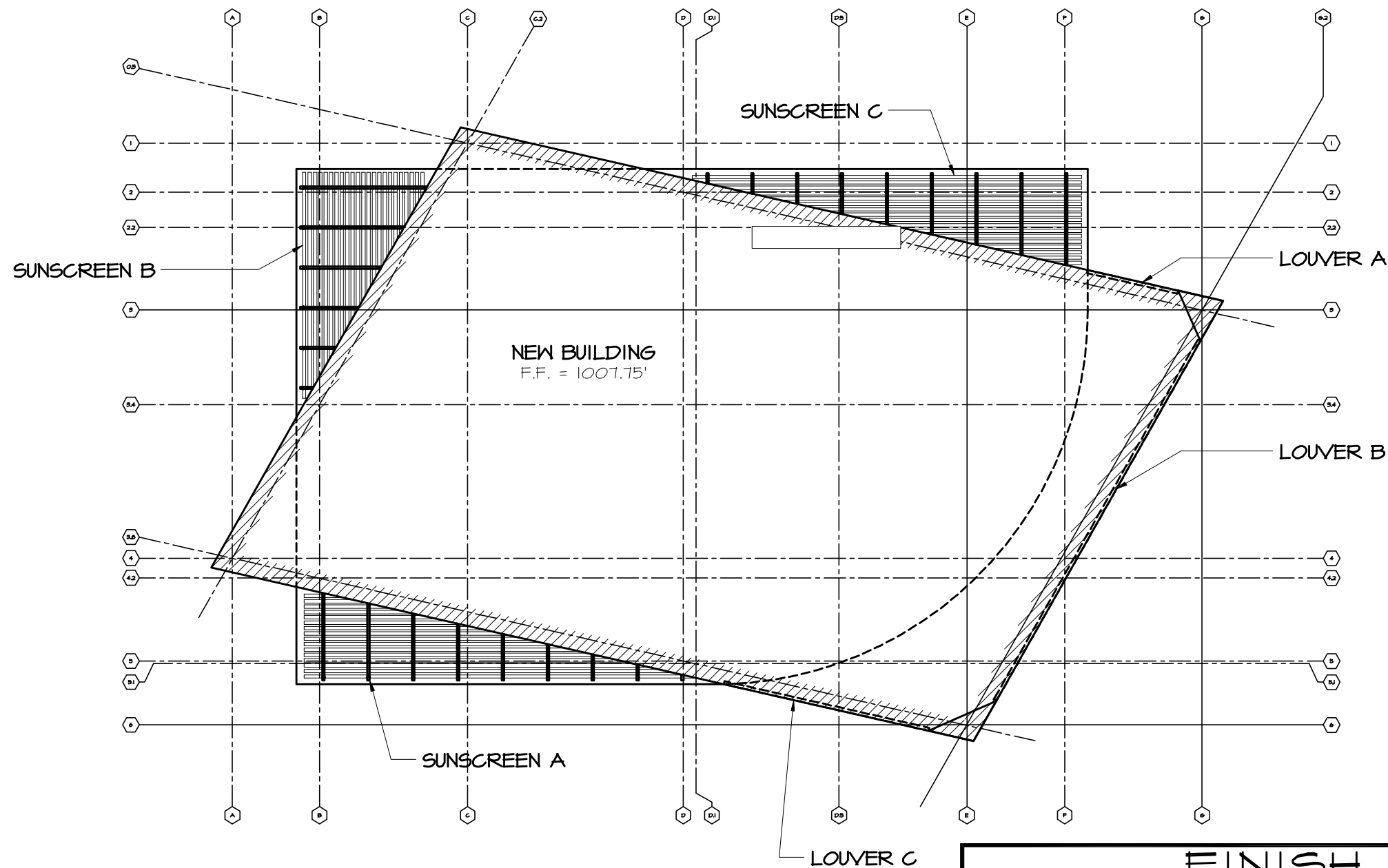
ATLANTA, GA

BY  
WAKEFIELD BEASLEY AND  
ASSOCIATES

MARCH 28, 2008

1477 ROSEDALE DRIVE  
HIRAM, GA 30141  
(770) 439-2120  
fax (770) 439-2122

Drawing: 4327-FF.dwg Layout: 4327-24  
 Plotted: Oct 9, 2007 - 9:39pm By: Tj Griffiths

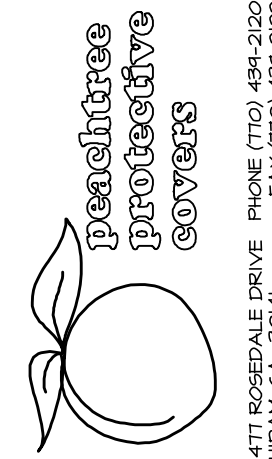
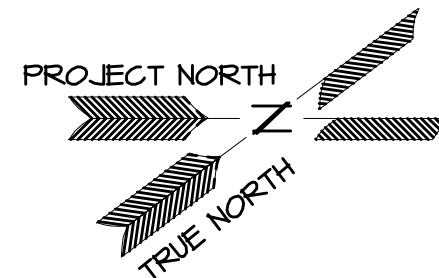


**KEY PLAN**  
N.T.S.

PARAPET RAIL AND SCREEN SYSTEM
SUNSCREENS
LOUVER SCREENS

**FINISH SCHEDULE**

DESCRIPTION	FINISH	COLOR
2"X2" TUBE	2-COAT KYNAR	BONE WHITE
4"X2" TUBE	2-COAT KYNAR	BONE WHITE
1/8"X4" BAR	2-COAT KYNAR	BONE WHITE
6"X6" BEAM	2-COAT KYNAR	BONE WHITE
6"X6" TUBE	2-COAT KYNAR	BONE WHITE
8"X3" FASCIA TUBE	2-COAT KYNAR	BONE WHITE
6" Z-BLADE	2-COAT KYNAR	STONE GRAY
6" ELLIPTICAL BLADES	2-COAT KYNAR	BONE WHITE
1/8" CUSTOM ANGLE	2-COAT KYNAR	BONE WHITE
8"X3" OUTRIGGER TUBE	2-COAT KYNAR	BONE WHITE
1/4"X2"X7" ANGLE	2-COAT KYNAR	BONE WHITE
2 1/2" SCH. 40 HANGER PIPE	2-COAT KYNAR	BONE WHITE
4" Z-BLADES	2-COAT KYNAR	STONE GRAY
4"X1" TUBE	2-COAT KYNAR	STONE GRAY
1/8"X4" BAR	2-COAT KYNAR	STONE GRAY
.050 PANEL	2-COAT KYNAR	STONE GRAY



1477 ROSEDALE DRIVE PHONE (770) 434-2120  
 HIRAM, GA 30141 FAX (770) 434-2122

JOB NAME: ONE CITY CENTER

LOCATION: ATLANTA, GA

ARCHITECT: WAKEFIELD BEASLEY AND ASSOCIATES

CONTRACTOR: OSBOURNE & ASSOCIATES

**REVISIONS**

DRAWN: JTG

SCALE: AS SHOWN

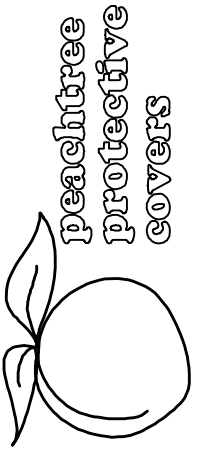
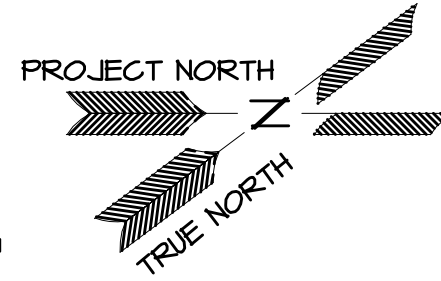
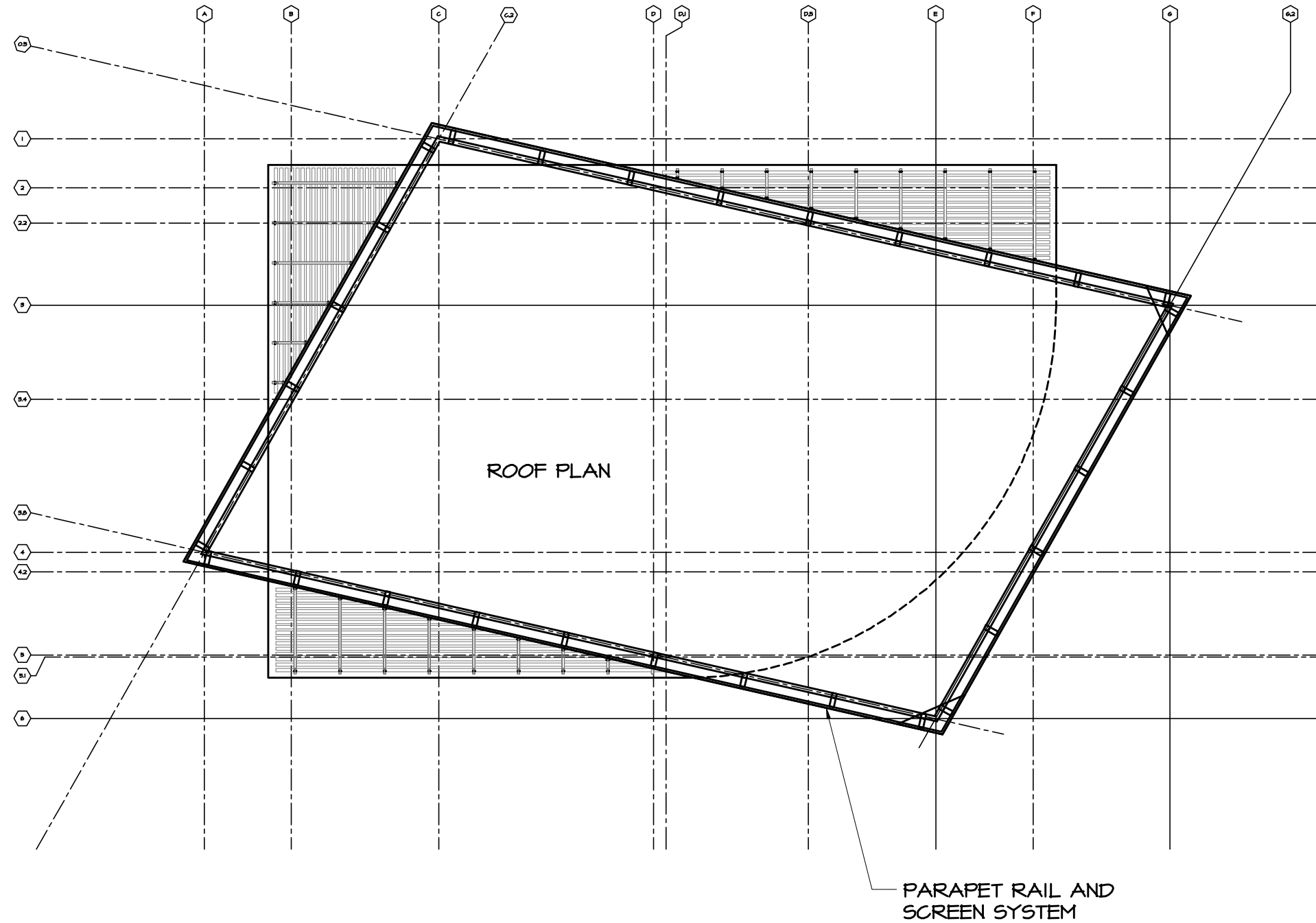
DATE: 02/27/08

JOB #

**4327**

SHT 1 OF 24

Drawing: 4327-FF.dwg Layout: 4327-24  
 Plotted: Oct 9, 2007 - 9:39pm By: Tj Griffiths



1477 ROSEDALE DRIVE PHONE (770) 439-2120  
 HIRAM, GA 30141 FAX (770) 439-2122

JOB NAME: ONE CITY CENTER

LOCATION: ATLANTA, GA

ARCHITECT: WAKEFIELD BEASLEY AND ASSOCIATES

CONTRACTOR: OSBOURNE & ASSOCIATES

REVISIONS

DRAWN: JTG

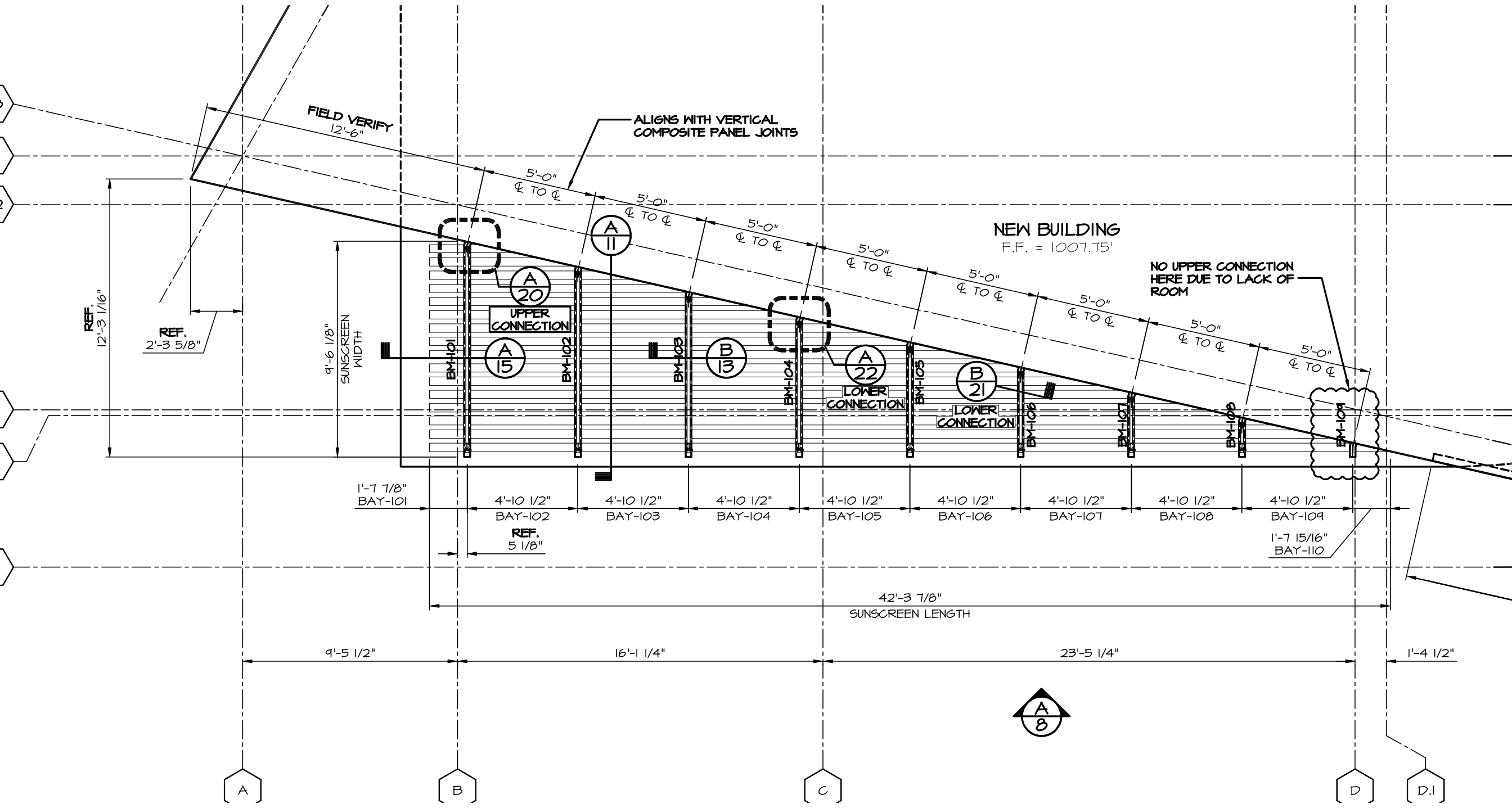
SCALE: AS SHOWN

DATE: 02/27/08

JOB #

4327

SHT 2 OF 24



FIELD VERIFY  
12'-6"

ALIGNS WITH VERTICAL  
COMPOSITE PANEL JOINTS

NEW BUILDING  
F.F. = 1007.75'

NO UPPER CONNECTION  
HERE DUE TO LACK OF  
ROOM

REF.  
12'-3 1/16"

REF.  
2'-3 5/8"

9'-6 1/8"  
SUNSCREEN  
WIDTH

1'-7 7/8"  
BAY-101

4'-10 1/2"  
BAY-102

4'-10 1/2"  
BAY-103

4'-10 1/2"  
BAY-104

4'-10 1/2"  
BAY-105

4'-10 1/2"  
BAY-106

4'-10 1/2"  
BAY-107

4'-10 1/2"  
BAY-108

4'-10 1/2"  
BAY-109

1'-7 15/16"  
BAY-110

A  
20

A  
15

A  
11

B  
13

A  
22

B  
21

UPPER  
CONNECTION

LOWER  
CONNECTION

LOWER  
CONNECTION

BM-101

BM-102

BM-103

BM-104

BM-105

BM-106

BM-107

BM-108

BM-109

BM-110

REF.  
5 1/8"

42'-3 7/8"  
SUNSCREEN LENGTH

9'-5 1/2"

16'-1 1/4"

23'-5 1/4"

1'-4 1/2"



A

B

C

D

D.1

VIEW  
GREEN B

JOB NAME:

LOCATION:

ARCHITECT:

CONTRACTOR:

REVISIONS

JTG 3/28/08

DRAWN: JTG

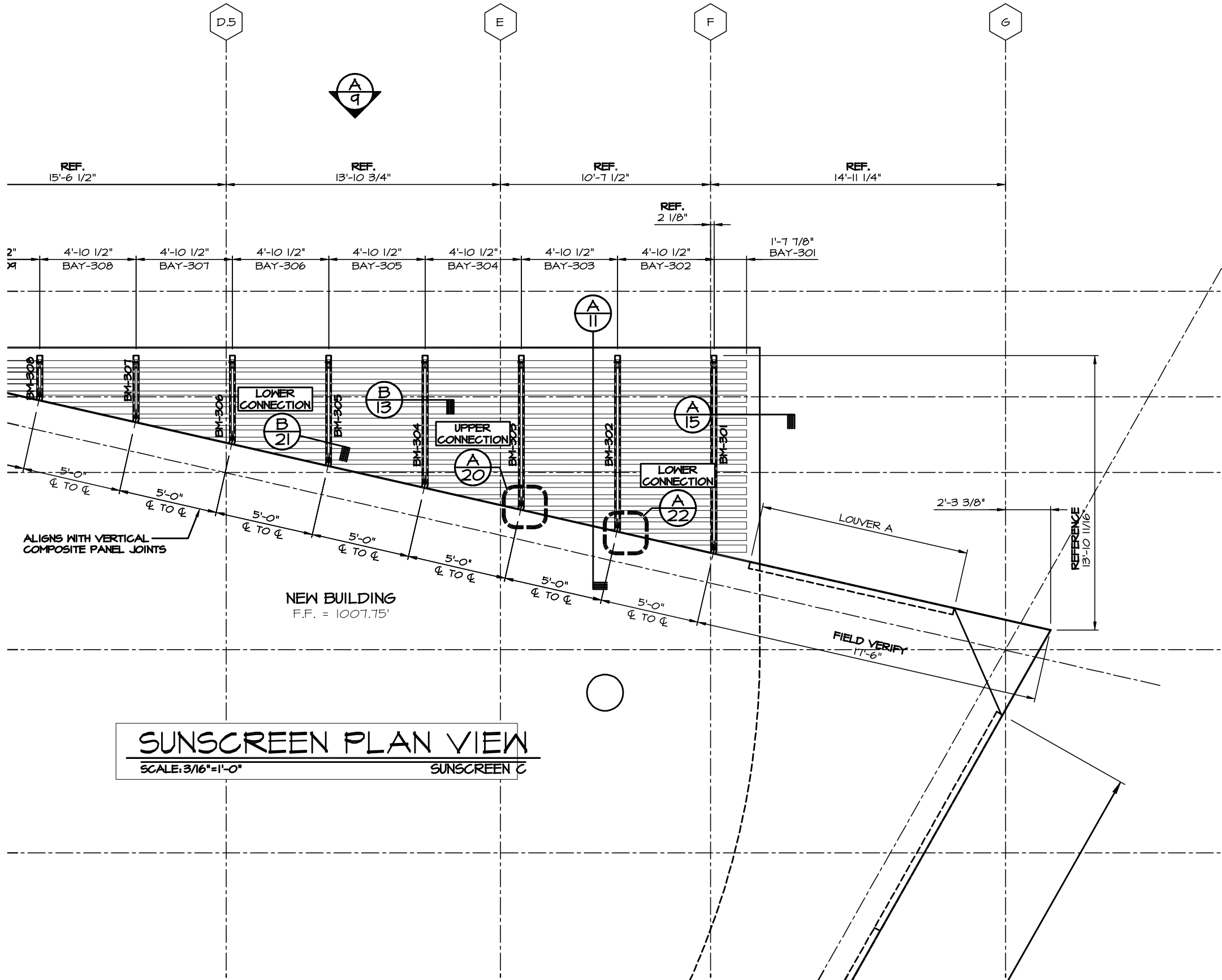
SCALE: AS SHOWN

DATE: 02/27/08

JOB #



1477 ROSEDALE DRIVE PHONE (770) 432-7400  
 HIRAM, GA 30141 FAX (770) 432-7401

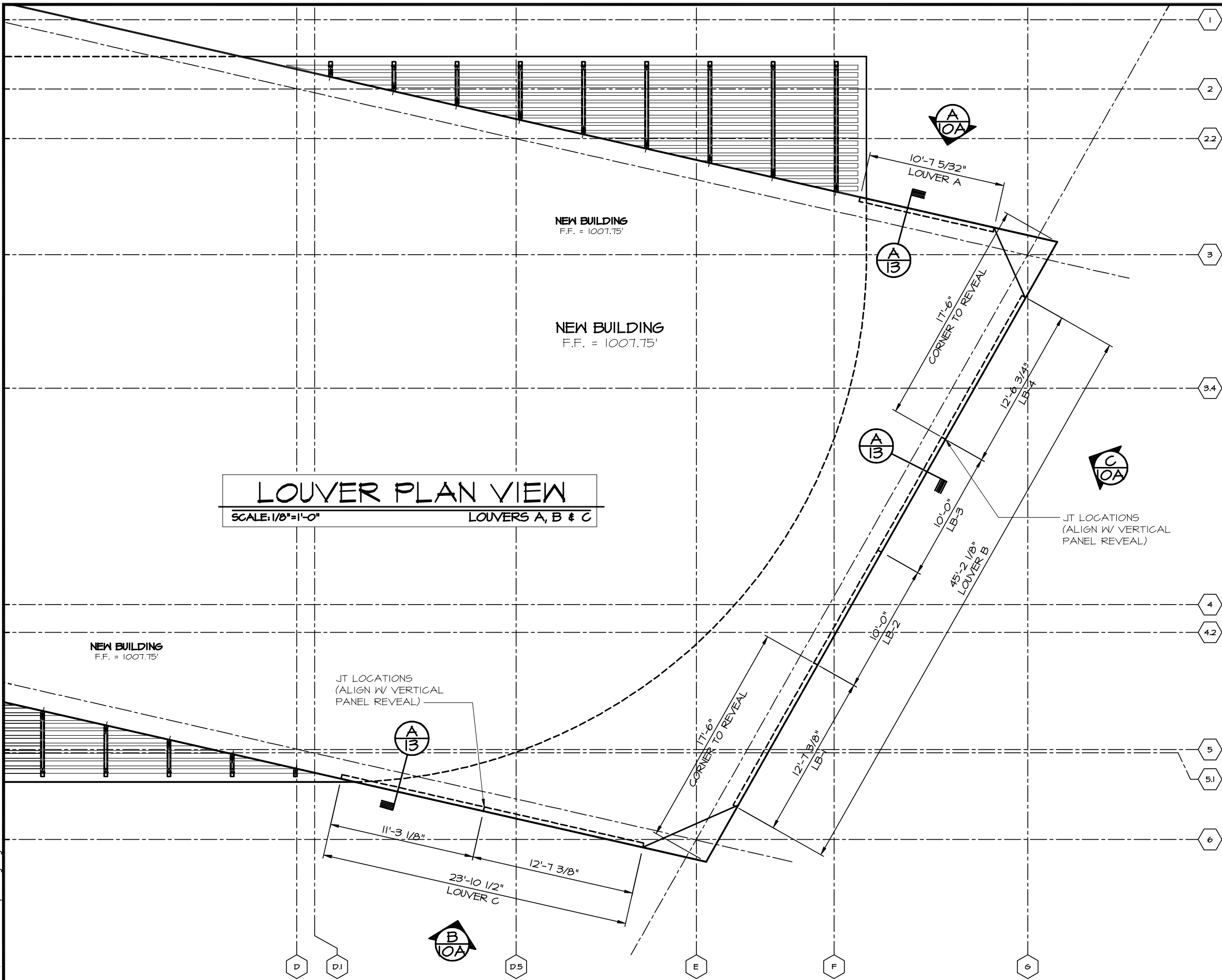


**SUNSCREEN PLAN VIEW**  
 SCALE: 3/16"=1'-0"  
 SUNSCREEN C

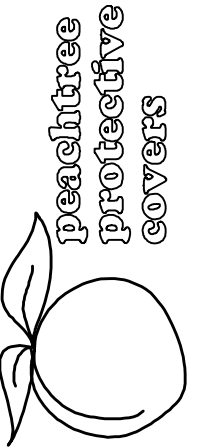
JOB NAME: ONE CITY CENTER  
 LOCATION: ATLANTA, GA  
 ARCHITECT: WAKEFIELD BEASLEY AND ASSOCIATES  
 CONTRACTOR: OSBOURNE & ASSOCIATES

REVISIONS	
JTG 3/28/08	
DRAWN: JTG	
SCALE: AS SHOWN	
DATE: 02/27/08	
JOB #	
4327	
SHT 5	OF 24

Drawing: 4327-FF.dwg Layout: 4327-24  
 Plotted: Oct 9, 2007 - 9:39pm By: Ty Griffiths



**LOUVER PLAN VIEW**  
 SCALE: 1/8"=1'-0"      LOUVERS A, B & C



1477 ROSEDALE DRIVE    PHONE (770) 434-2120  
 HIRAM, GA 30141      FAX (770) 434-2122

JOB NAME: ONE CITY CENTER  
 LOCATION: ATLANTA, GA  
 ARCHITECT: WAKEFIELD BEASLEY AND ASSOCIATES  
 CONTRACTOR: OSBOURNE & ASSOCIATES

**REVISIONS**

JTG 3/28/08	

DRAWN: JTG

SCALE: AS SHOWN

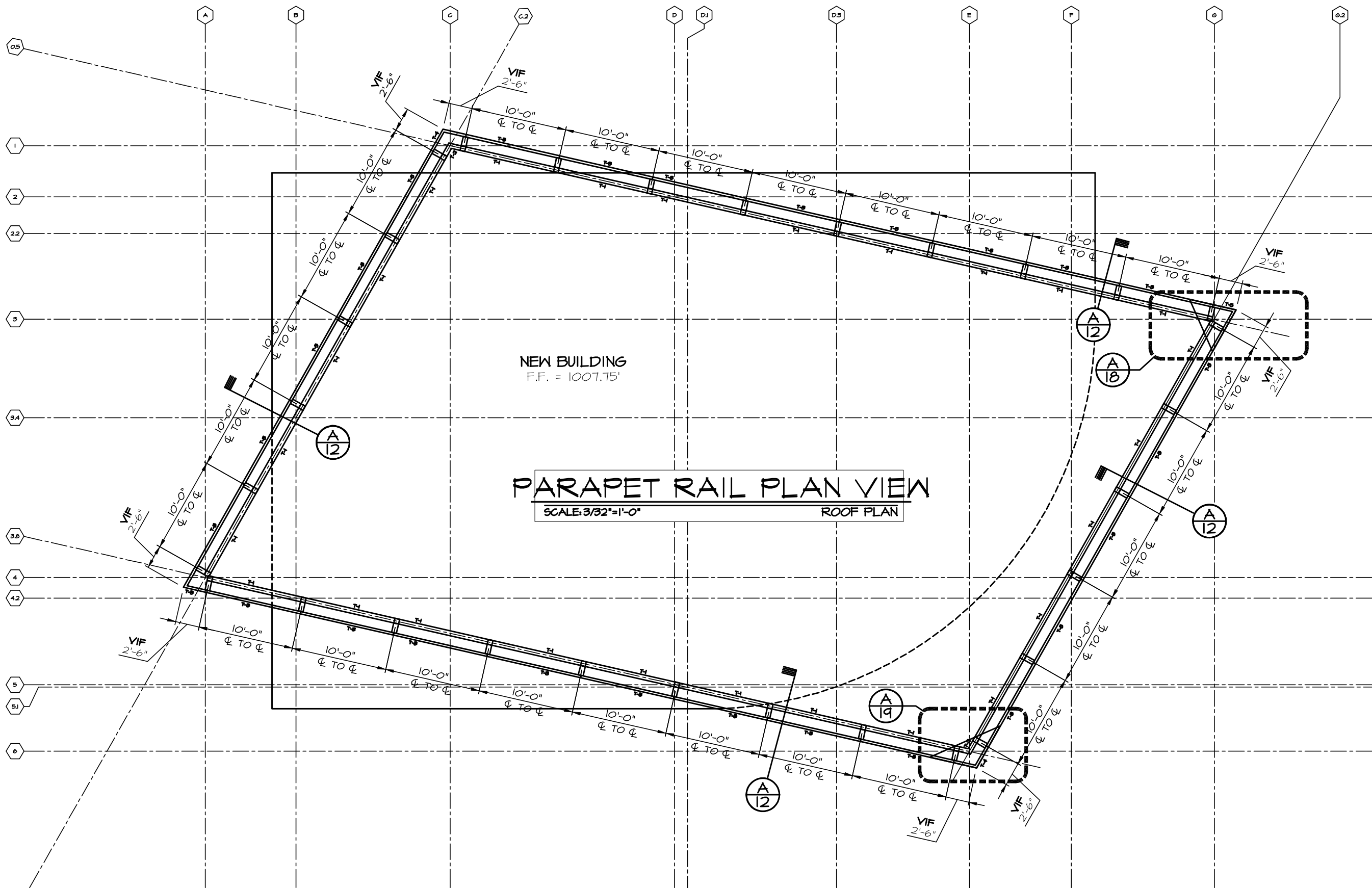
DATE: 02/21/08

JOB #

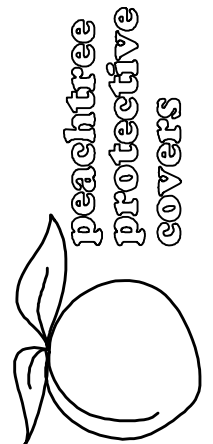
4327

SHT 6 OF 24

Drawing: 4327-FF.dwg Layout: 4327-24  
 Plotted: Oct 9, 2007 - 9:33pm By: Ty Griffiths



**PARAPET RAIL PLAN VIEW**  
 SCALE: 3/32"=1'-0" ROOF PLAN

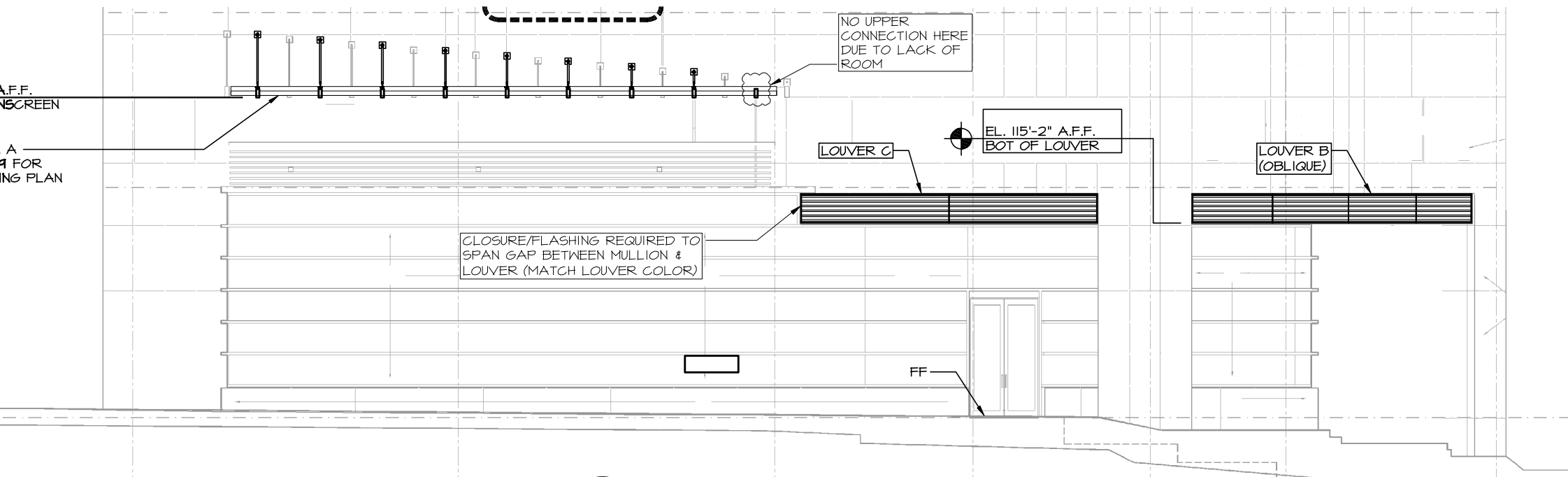


peachtree protective covers  
 1477 ROSEDALE DRIVE PHONE (770) 434-2120  
 HIRAM, GA 30141 FAX (770) 434-2122

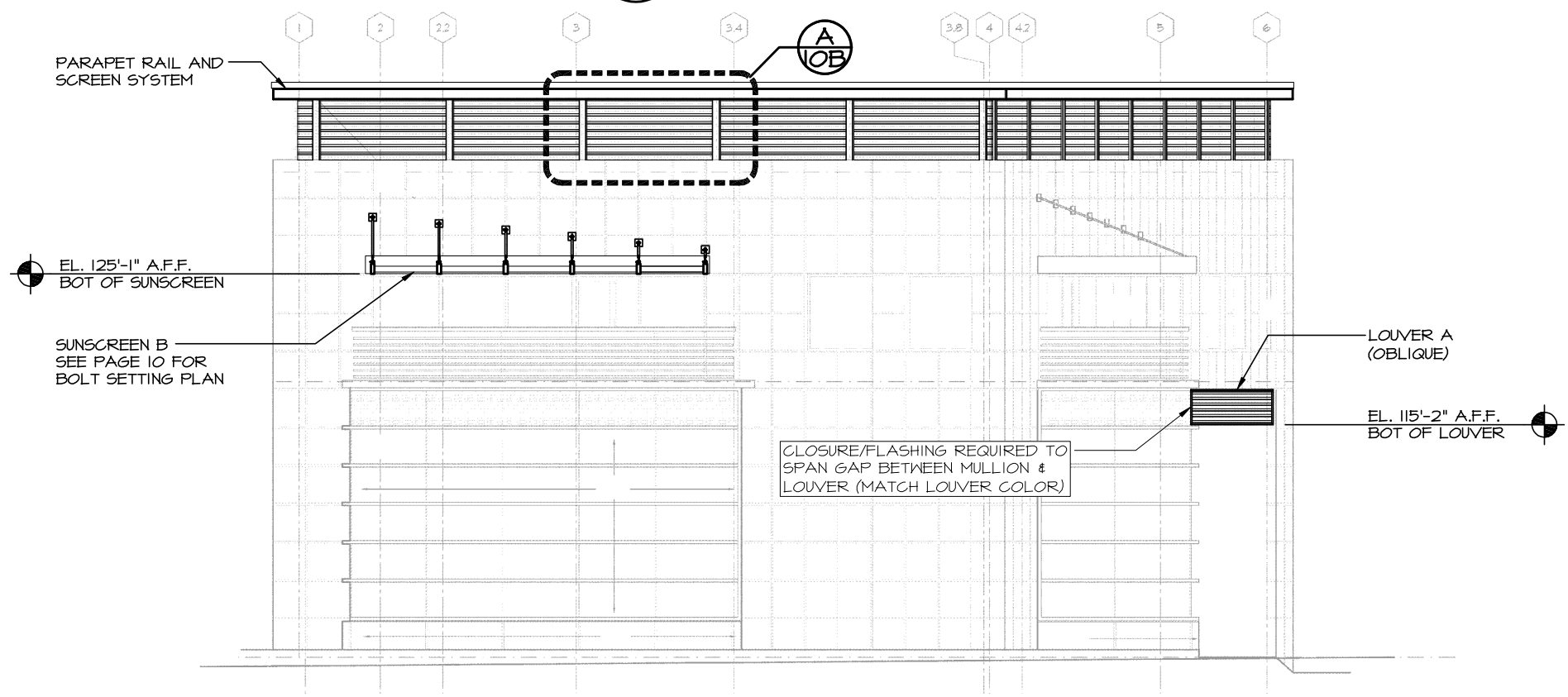
JOB NAME: ONE CITY CENTER  
 LOCATION: ATLANTA, GA  
 ARCHITECT: WAKEFIELD BEASLEY AND ASSOCIATES  
 CONTRACTOR: OSBOURNE & ASSOCIATES

REVISIONS	
JTG 3/28/08	
DRAWN: JTG	
SCALE: AS SHOWN	
DATE: 02/27/08	
JOB #	
4327	
SHT 7 OF 24	





**A**  
8 ELEVATION



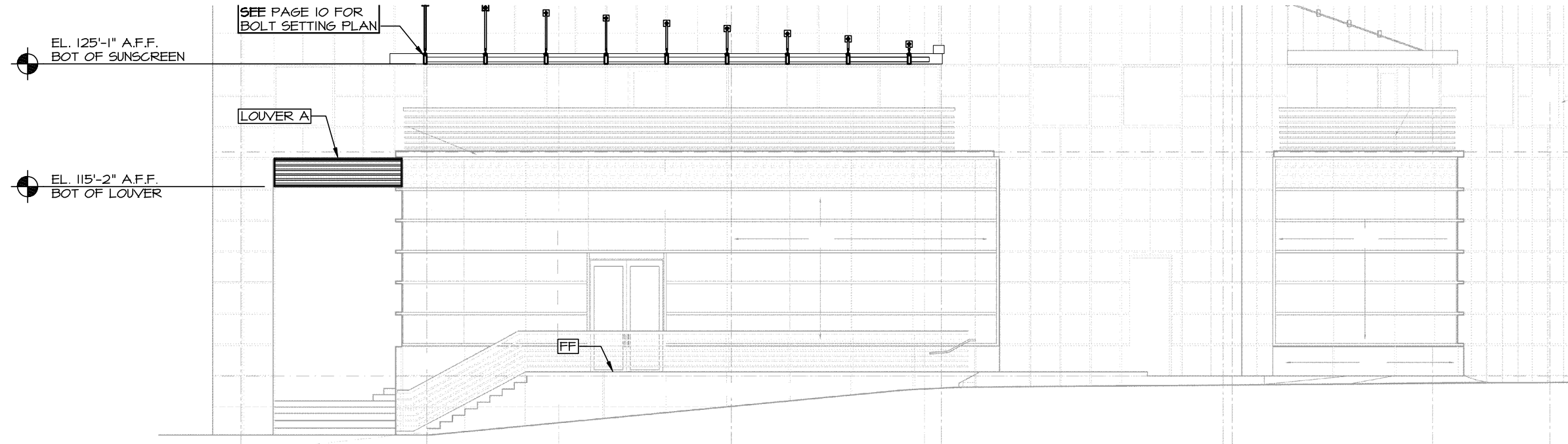
**B**  
8 ELEVATION



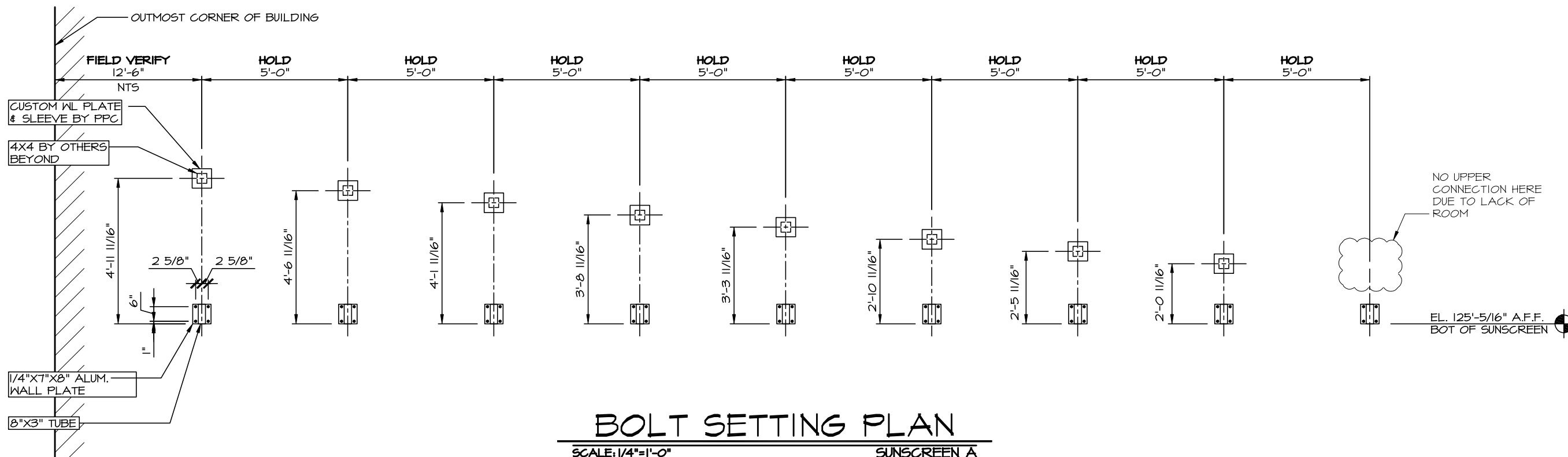
1477 ROSEDALE DRIVE  
HIRAM, GA 30141

JOB NAME: ONE CITY CENTER  
 LOCATION: ATLANTA, GA  
 ARCHITECT: WAKEFIELD BEASLEY AND ASSOCIATES  
 CONTRACTOR: OSBOURNE & ASSOCIATES

REVISIONS	
JTG 3/28/08	
DRAWN: JTG	
SCALE: AS SHOWN	
DATE: 02/27/08	
JOB #	
4327	
SHT 8 OF 24	



(A)  
9 ELEVATION

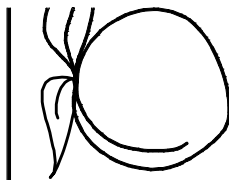


**BOLT SETTING PLAN**

SCALE: 1/4"=1'-0"

SUNSCREEN A

Drawing: 4327-FF.dwg Layout: 4327-24  
Plotted: Oct 9, 2007 - 4:34pm By: Ty Griffiths



1477 ROSEDALE DR  
HIRAM, GA 30141

JOB NAME: ONE CITY CENTER

LOCATION: ATLANTA, GA

ARCHITECT: WAKEFIELD BEASLEY AND ASSOCIATES

CONTRACTOR: OSBOURNE & ASSOCIATES

**REVISIONS**

JTG 3/28/08	

DRAWN: JTG

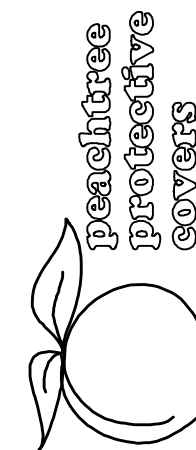
SCALE: AS SHOWN

DATE: 02/27/08

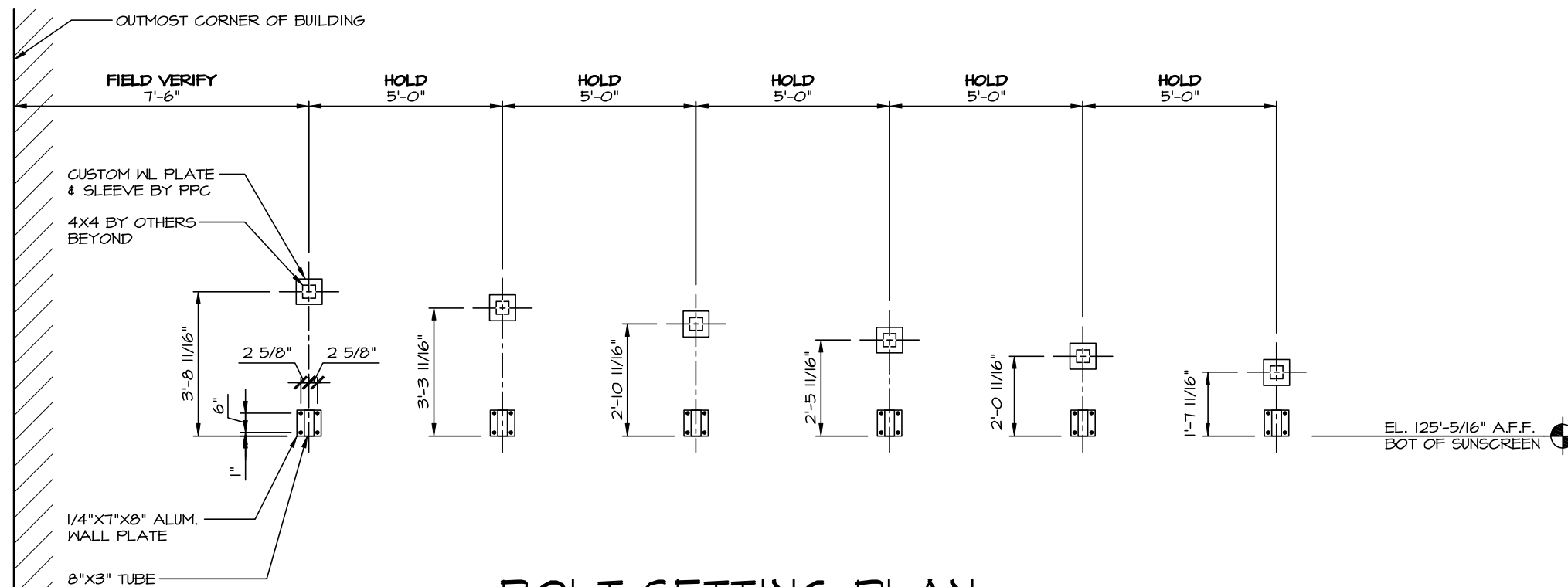
JOB #

4327

SHT 9 OF 24



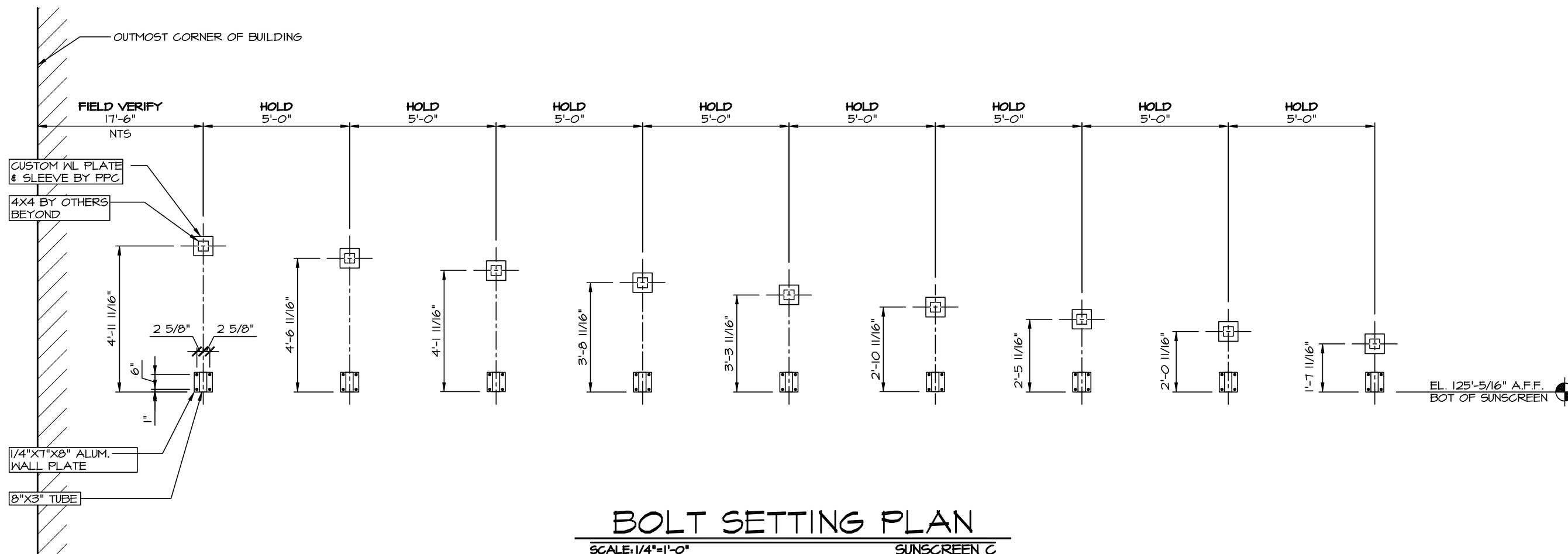
1477 ROSEDALE DRIVE PHONE (770) 434-2120  
 HIRAM, GA 30141 FAX (770) 434-2122



### BOLT SETTING PLAN

SCALE: 1/4"=1'-0"

SUNSCREEN B



### BOLT SETTING PLAN

SCALE: 1/4"=1'-0"

SUNSCREEN C

JOB NAME: ONE CITY CENTER

LOCATION: ATLANTA, GA

ARCHITECT: WAKEFIELD BEASLEY AND ASSOCIATES

CONTRACTOR: OSBOURNE & ASSOCIATES

#### REVISIONS

JTG 3/28/08

DRAWN: JTG

SCALE: AS SHOWN

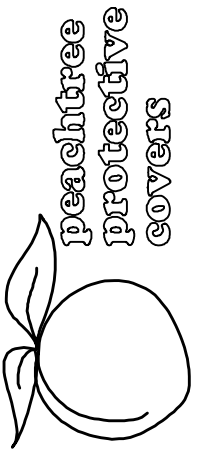
DATE: 02/27/08

JOB #

4327

SHT 10 OF 24

Drawing: 4327-FF.dwg Layout: 4327-24  
 Plotted: Oct 9, 2007 - 9:39pm By: Ty Griffiths



1477 ROSEDALE DRIVE PHONE (770) 434-2120  
 HIRAM, GA 30141 FAX (770) 434-2122

JOB NAME: ONE CITY CENTER  
 LOCATION: ATLANTA, GA  
 ARCHITECT: WAKEFIELD BEASLEY AND ASSOCIATES  
 CONTRACTOR: OSBOURNE & ASSOCIATES

REVISIONS

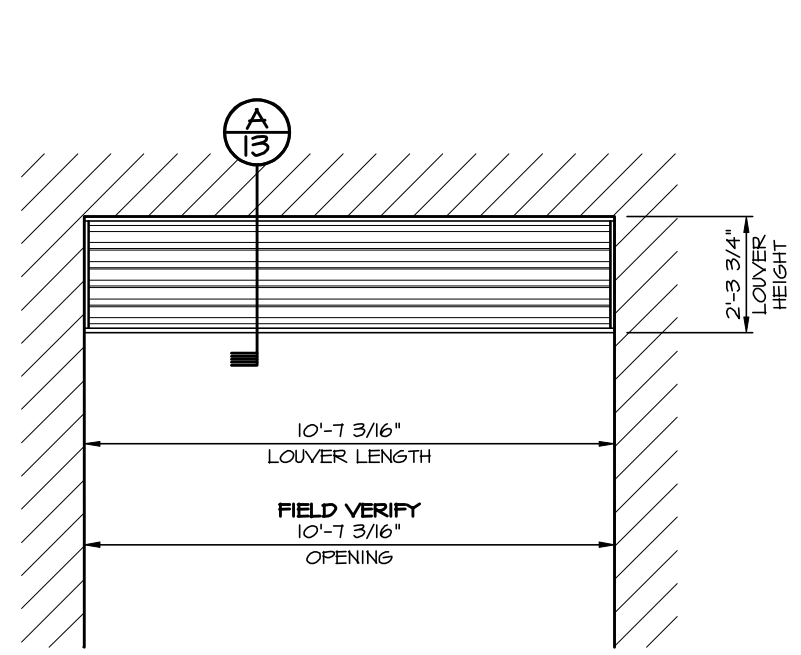
JTG 3/28/08	

DRAWN: JTG

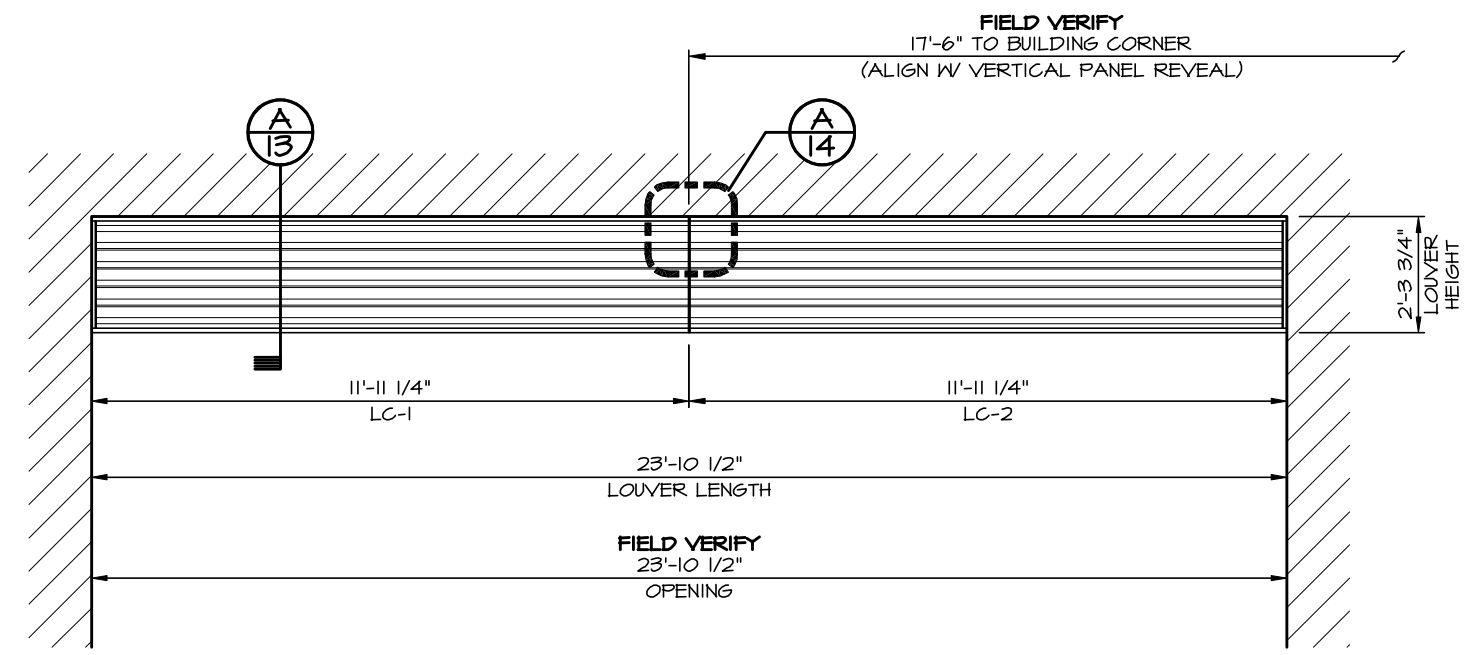
SCALE: AS SHOWN

DATE: 02/27/08

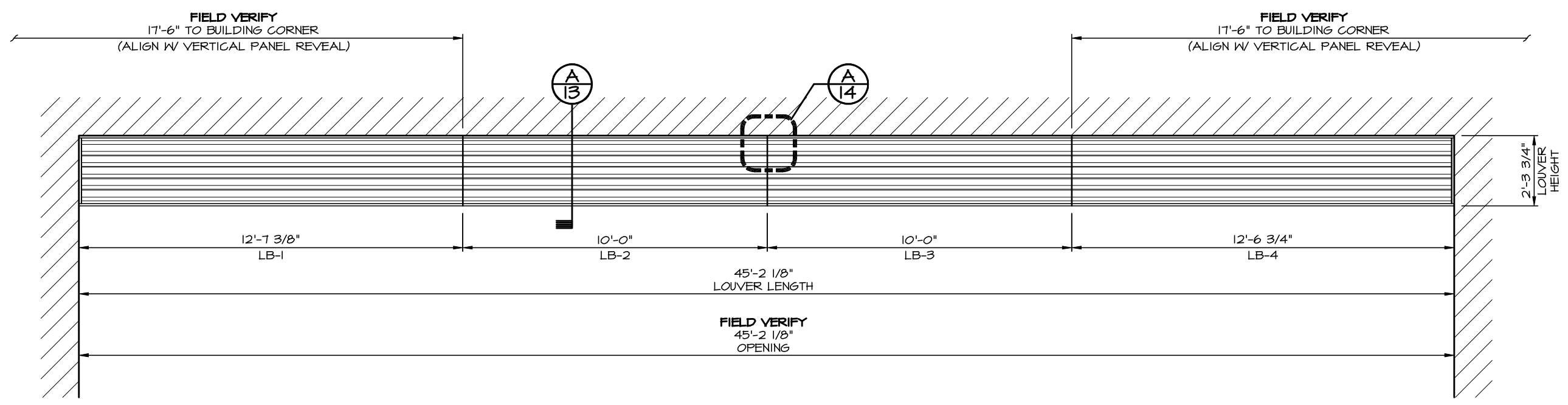
JOB #  
**4327**  
 SHT 10A OF 24



**A**  
 10A ELEVATION  
 LOUVER A

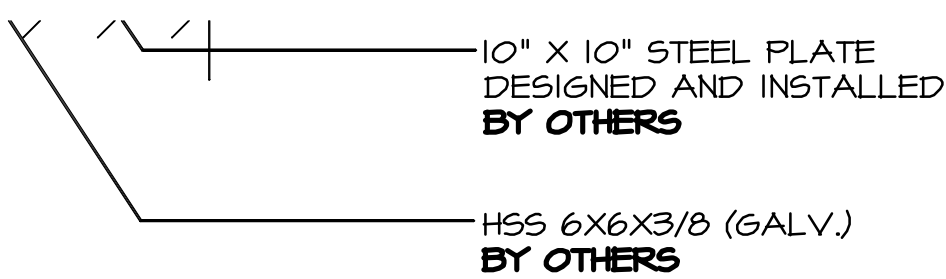


**B**  
 10A ELEVATION  
 LOUVER C



**C**  
 10A ELEVATION  
 LOUVER B

Drawing: 4327-FF.dwg Layout: 4327-24  
 Plotted: Oct 9, 2007 - 9:39pm By: Tj Griffiths



JOB NAME: **C**

LOCATION: **A**

ARCHITECT:

CONTRACTOR

**REVISIONS**

JTG 3/28/08

DRAWN: JTG

SCALE: **AS SHOWN**

DATE: **02/27/08**

JOB #

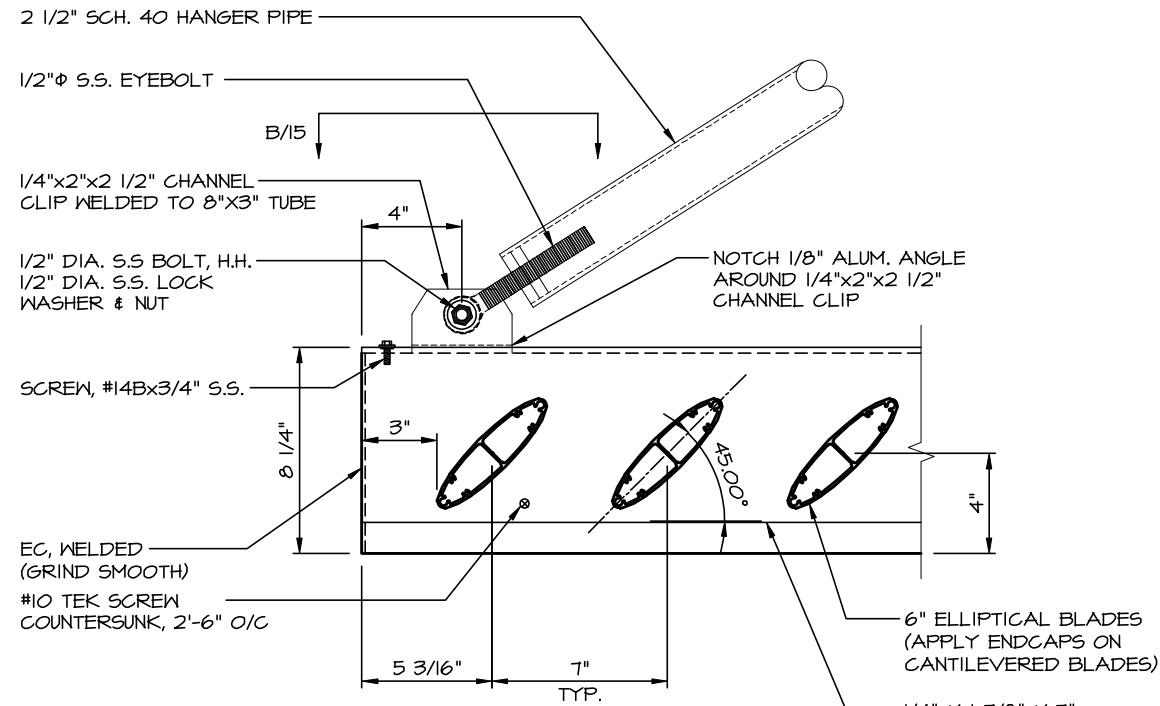
JOB NAME: ONE CITY CENTER  
LOCATION: ATLANTA, GA  
ARCHITECT: WAKEFIELD BEASLEY AND ASSOCIATES  
CONTRACTOR: OSBOURNE & ASSOCIATES

REVISIONS

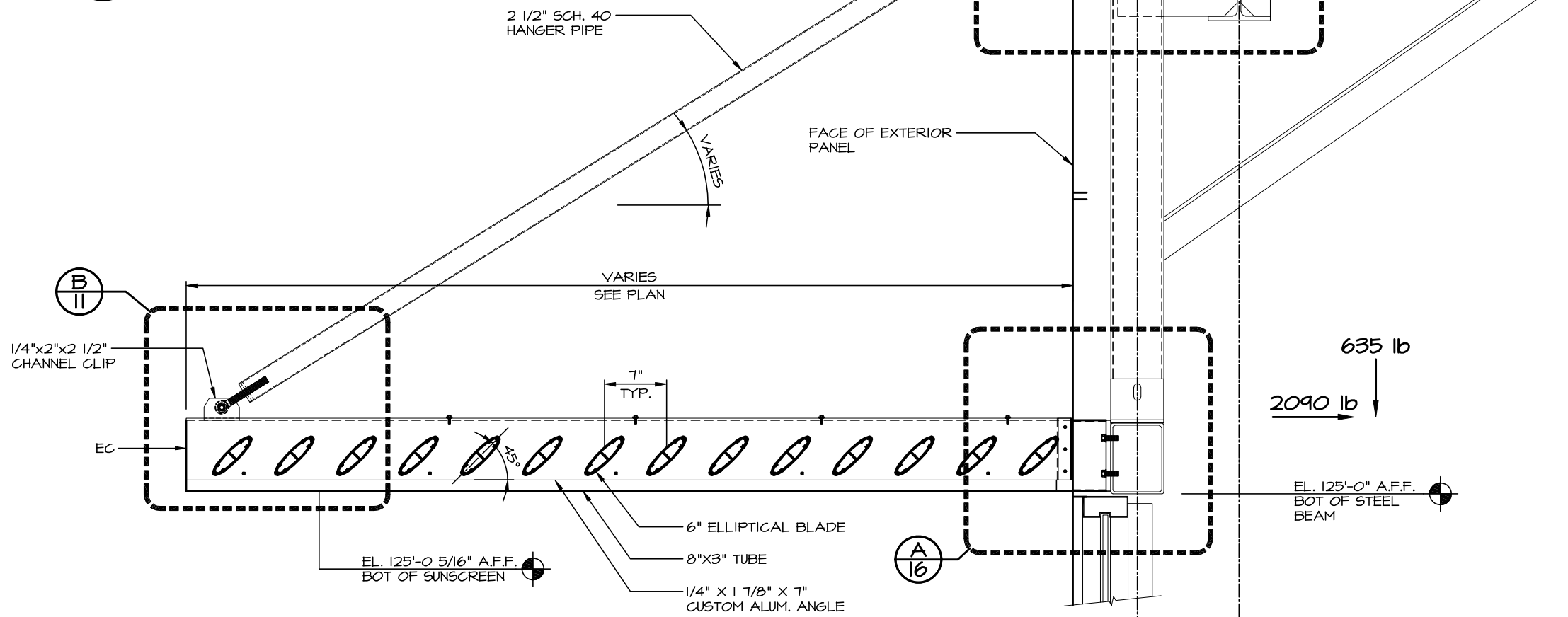
JTG 3/28/08	

DRAWN: JTG  
SCALE: AS SHOWN  
DATE: 02/27/08

JOB #  
**4327**  
SHT 11 OF 24

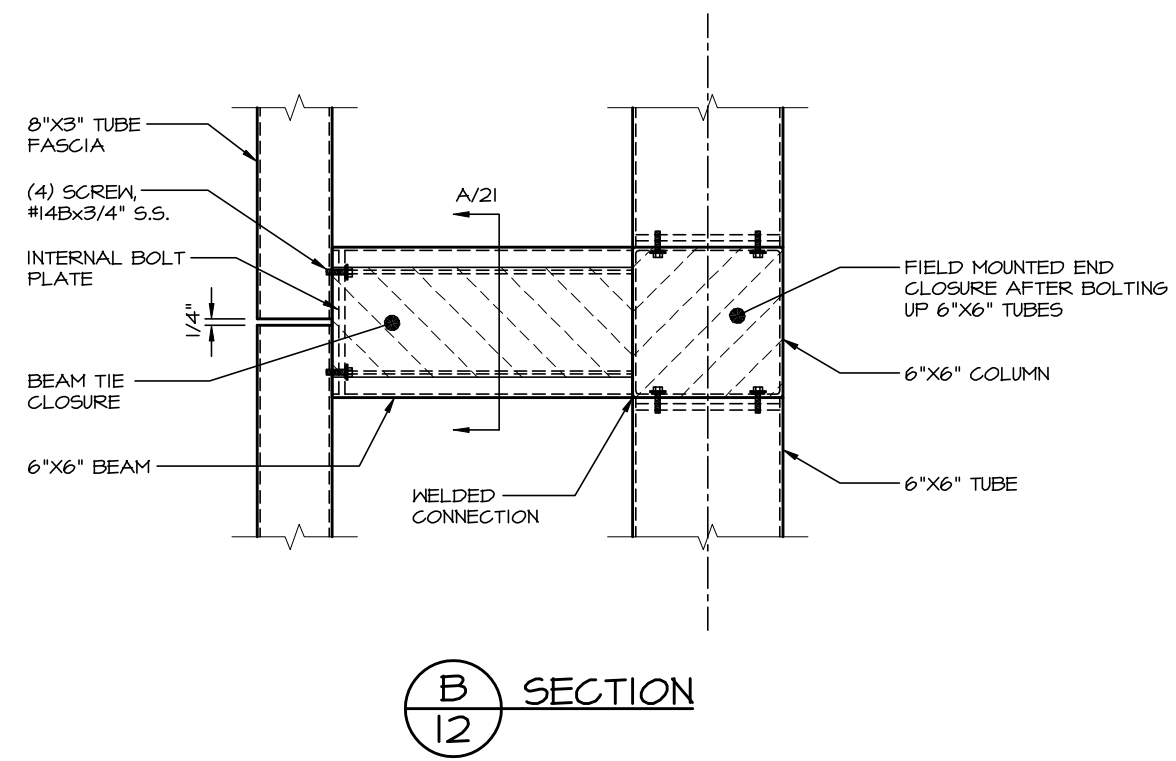
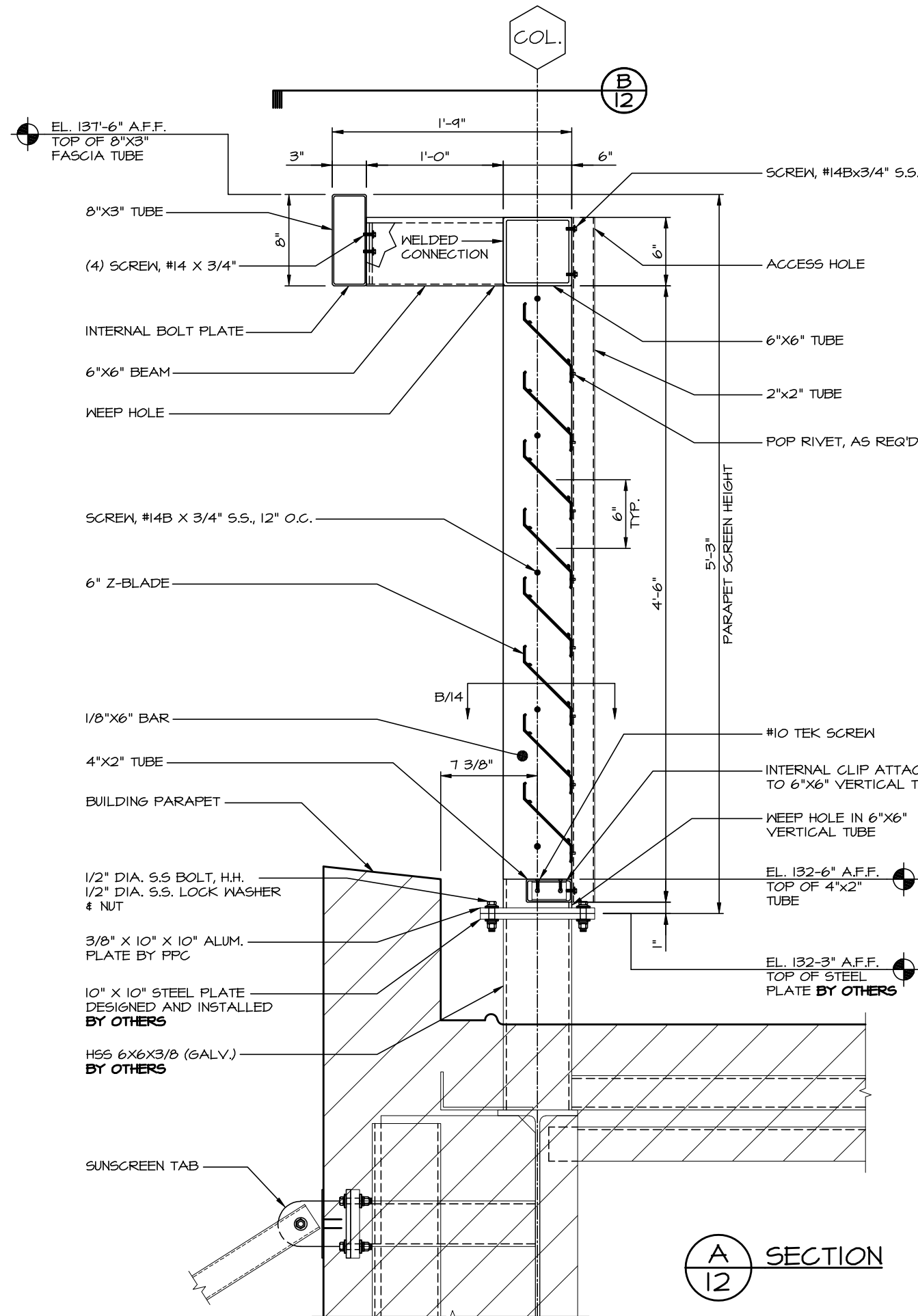


**B**  
II  
DETAIL

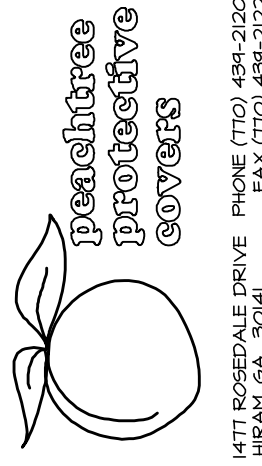


**A**  
II  
SECTION

Drawing: 4327-FF.dwg Layout: 4327-24  
 Plotted: Oct 9, 2007 - 9:39pm By: Ty Griffiths



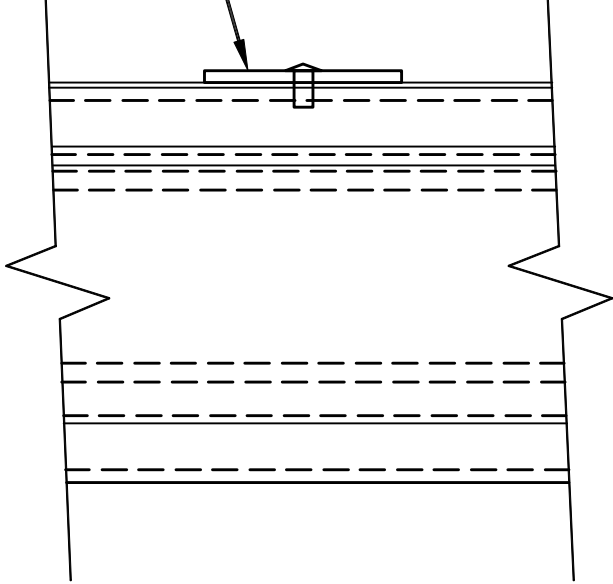
M = 3330 ft-lb



1477 ROSEDALE DRIVE PHONE (770) 439-2120  
 HIRAM, GA 30141 FAX (770) 439-2122

JOB NAME: ONE CITY CENTER  
 LOCATION: ATLANTA, GA  
 ARCHITECT: WAKEFIELD BEASLEY AND ASSOCIATES  
 CONTRACTOR: OSBOURNE & ASSOCIATES

REVISIONS	
JTG 3/28/08	
DRAWN: JTG	
SCALE: AS SHOWN	
DATE: 02/27/08	
JOB #	
4327	
SHT 12 OF 24	



JOB NAME

LOCATION

ARCHITECT

CONTRACTOR

### REVISIONS

JTG 3/28/08

DRAWN: JTG

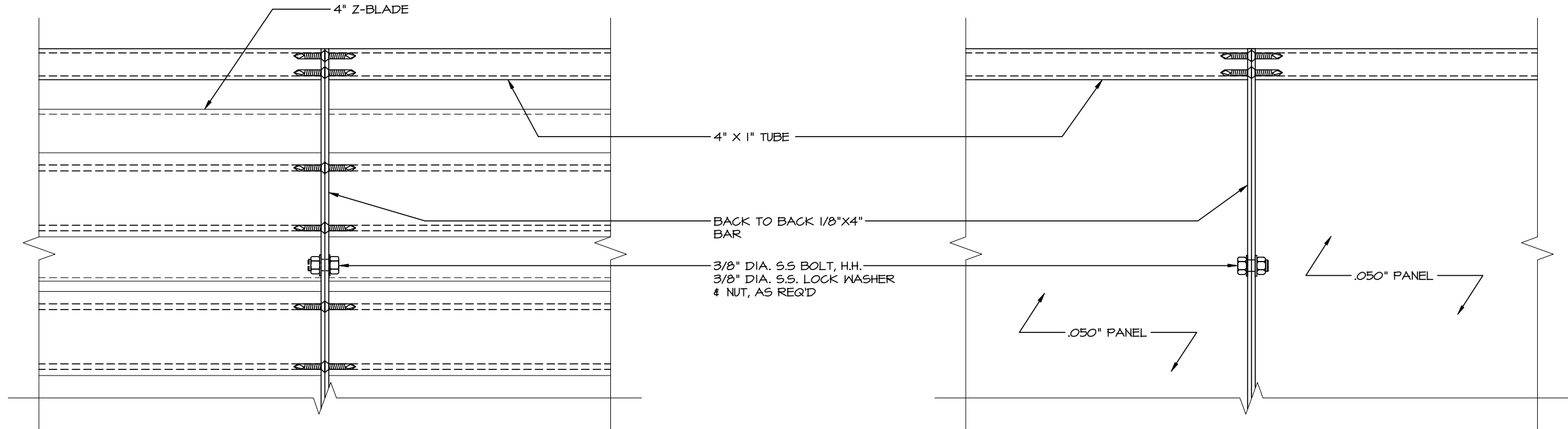
SCALE: AS SHOWN

DATE: 02/27/08

JOB #

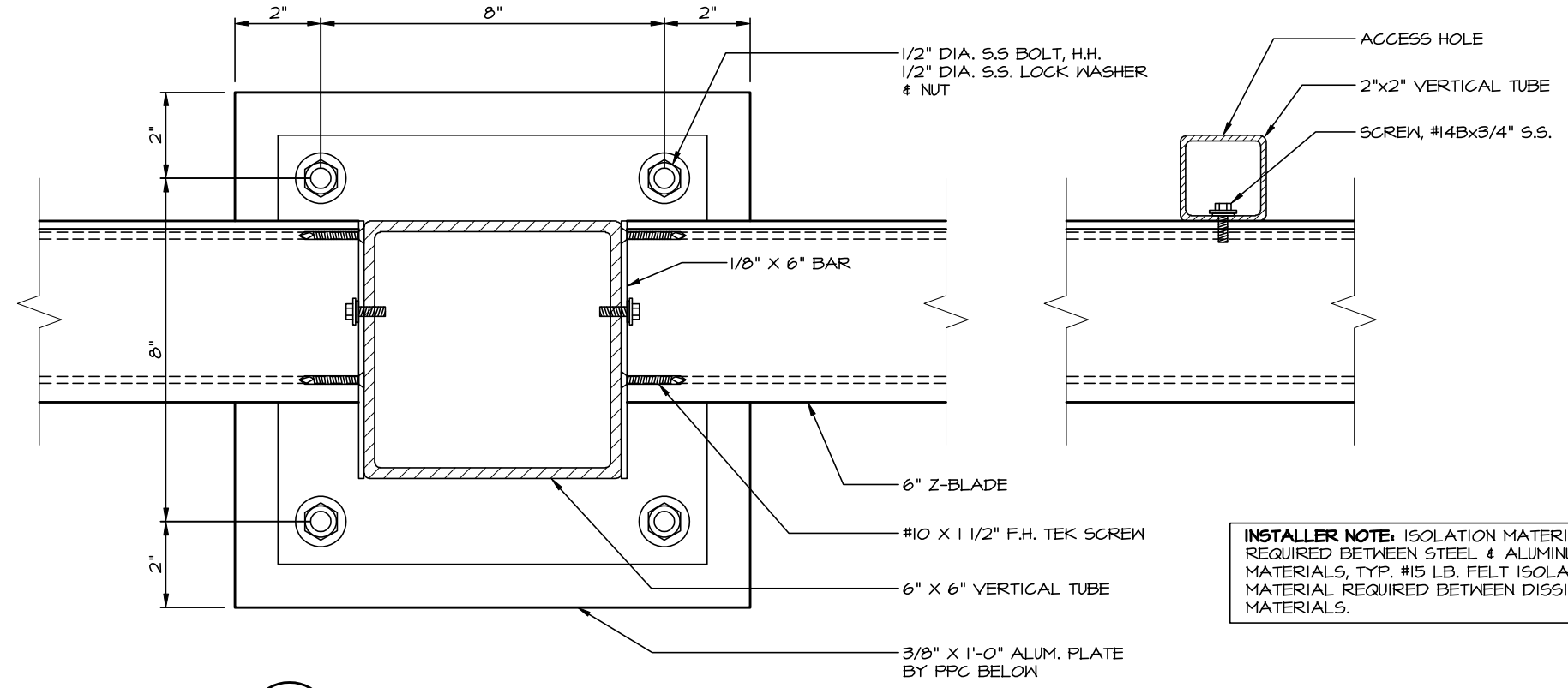
4327





**A**  
14 SECTION

4" Z-BLADE OMITTED FOR CLARITY



**B**  
14 SECTION

**INSTALLER NOTE:** ISOLATION MATERIAL REQUIRED BETWEEN STEEL & ALUMINUM MATERIALS, TYP. #15 LB. FELT ISOLATION MATERIAL REQUIRED BETWEEN DISSIMILAR MATERIALS.

JOB NAME: ONE CITY CENTER  
 LOCATION: ATLANTA, GA  
 ARCHITECT: WAKEFIELD BEASLEY AND ASSOCIATES  
 CONTRACTOR: OSBOURNE & ASSOCIATES

REVISIONS	

DRAWN: JTG

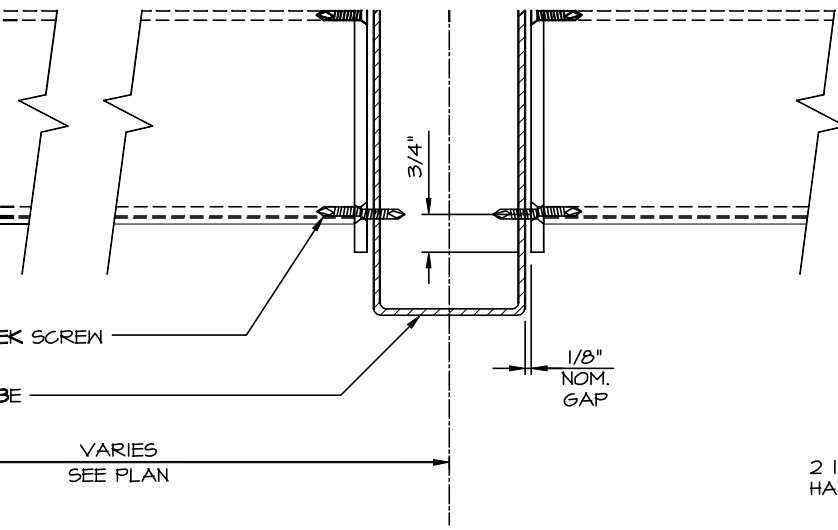
SCALE: AS SHOWN

DATE: 02/27/08

JOB #

4327

SHT 14 OF 24



VARIES  
SEE PLAN

**A**  
SECTION

2 1/2" SCH. 40  
HANGER PIPE

8"X3" TUBE

#10 TEK SCREW

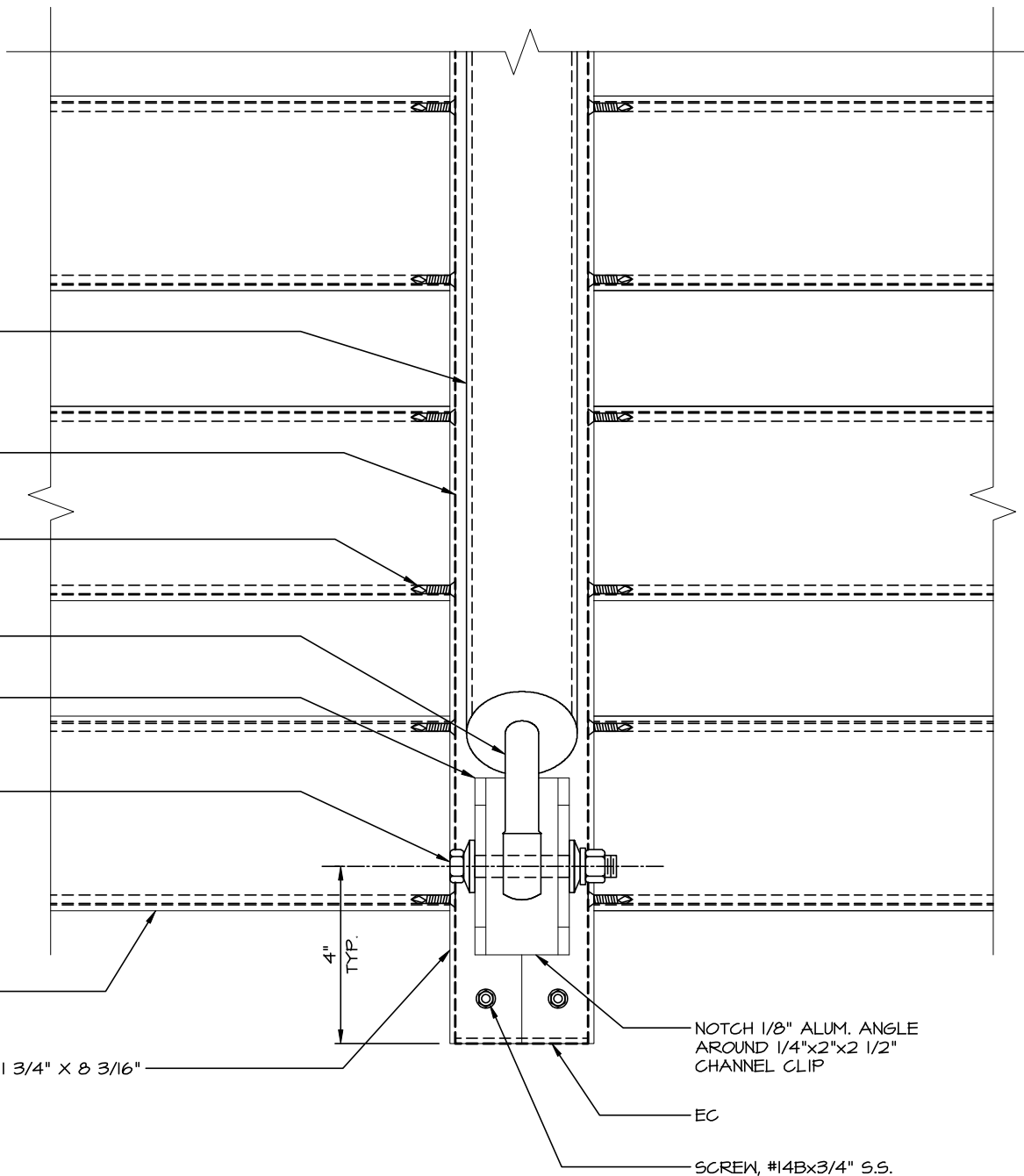
1/2"φ S.S. EYEBOLT

1/4"x2"x2 1/2"  
CHANNEL CLIP WELDED  
TO 8"X3" TUBE BELOW

1/2" DIA. S.S. BOLT, H.H.  
1/2" DIA. S.S. LOCK  
WASHER & NUT

6" ELLIPTICAL BLADE

BACK TO BACK 3/16" X 1 3/4" X 3/16"  
CUSTOM ALUM. ANGLE

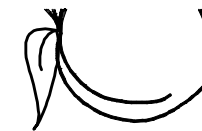


**B**  
SECTION

NOTCH 1/8" ALUM. ANGLE  
AROUND 1/4"x2"x2 1/2"  
CHANNEL CLIP

EC

SCREW, #14Bx3/4" S.S.



1471 ROSEDA  
HIRAM, GA 3

JOB NAME: ONE CITY CENTER

LOCATION: ATLANTA, GA

ARCHITECT: WAKEFIELD BEASLEY AND ASSOCIATES

CONTRACTOR: OSBOURNE & ASSOCIATES

REVISIONS

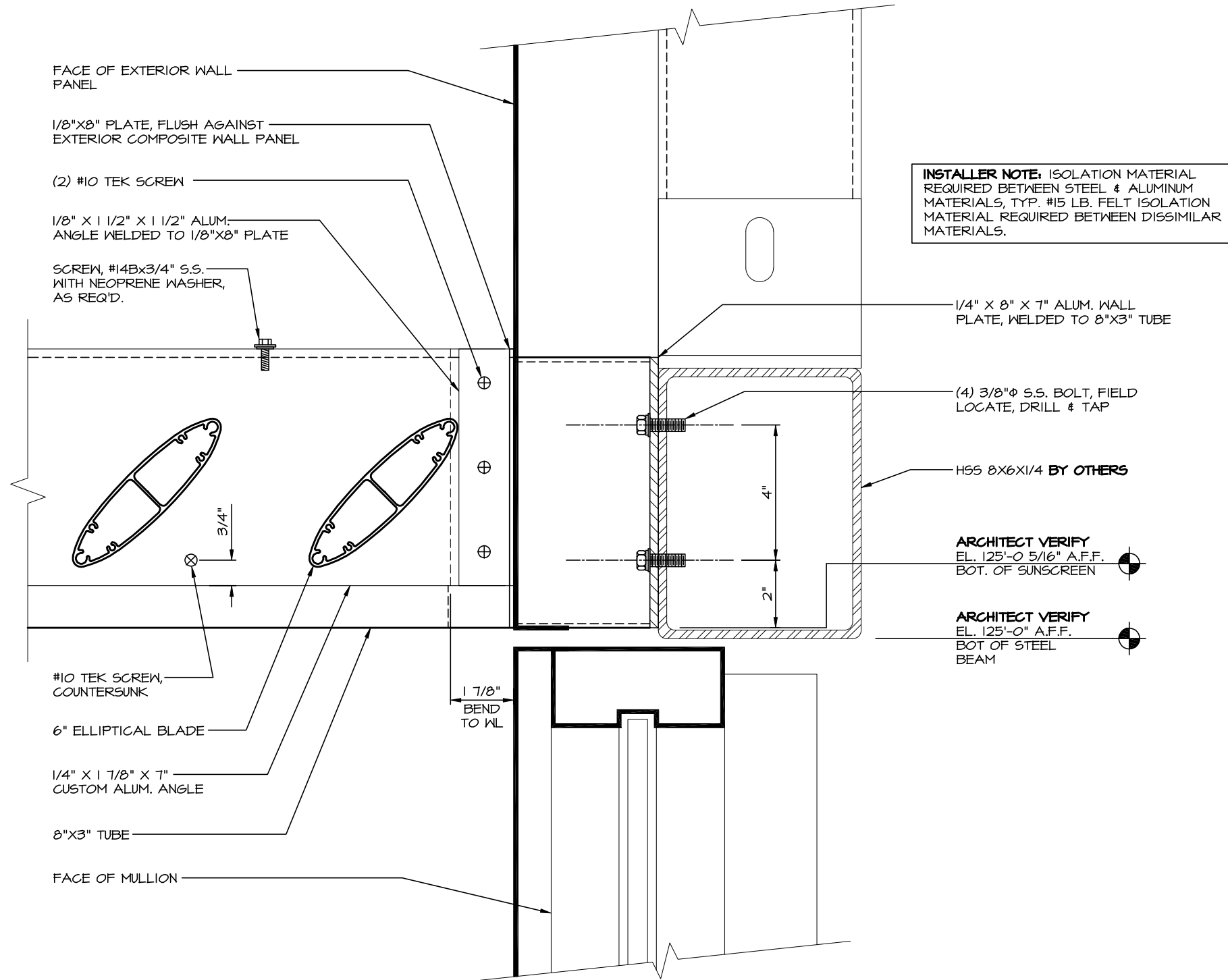
DRAWN: JTG

SCALE: AS SHOWN

DATE: 02/27/08

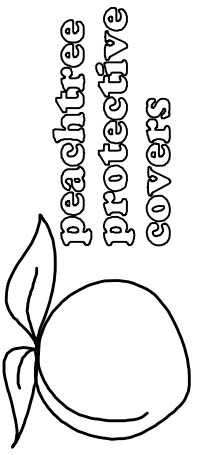
JOB #

Drawing: 4327-FF.dwg Layout: 4327-24  
 Plotted: Oct 9, 2007 - 9:39pm By: Ty Griffiths



**INSTALLER NOTE:** ISOLATION MATERIAL REQUIRED BETWEEN STEEL & ALUMINUM MATERIALS, TYP. #15 LB. FELT ISOLATION MATERIAL REQUIRED BETWEEN DISSIMILAR MATERIALS.

**A**  
16  
DETAIL



1477 ROSEDALE DRIVE PHONE (770) 439-2120  
 HIRAM, GA 30141 FAX (770) 439-2122

**JOB NAME:** ONE CITY CENTER  
**LOCATION:** ATLANTA, GA  
**ARCHITECT:** WAKEFIELD BEASLEY AND ASSOCIATES  
**CONTRACTOR:** OSBOURNE & ASSOCIATES

**REVISIONS**


**DRAWN:** JTG

**SCALE:** AS SHOWN

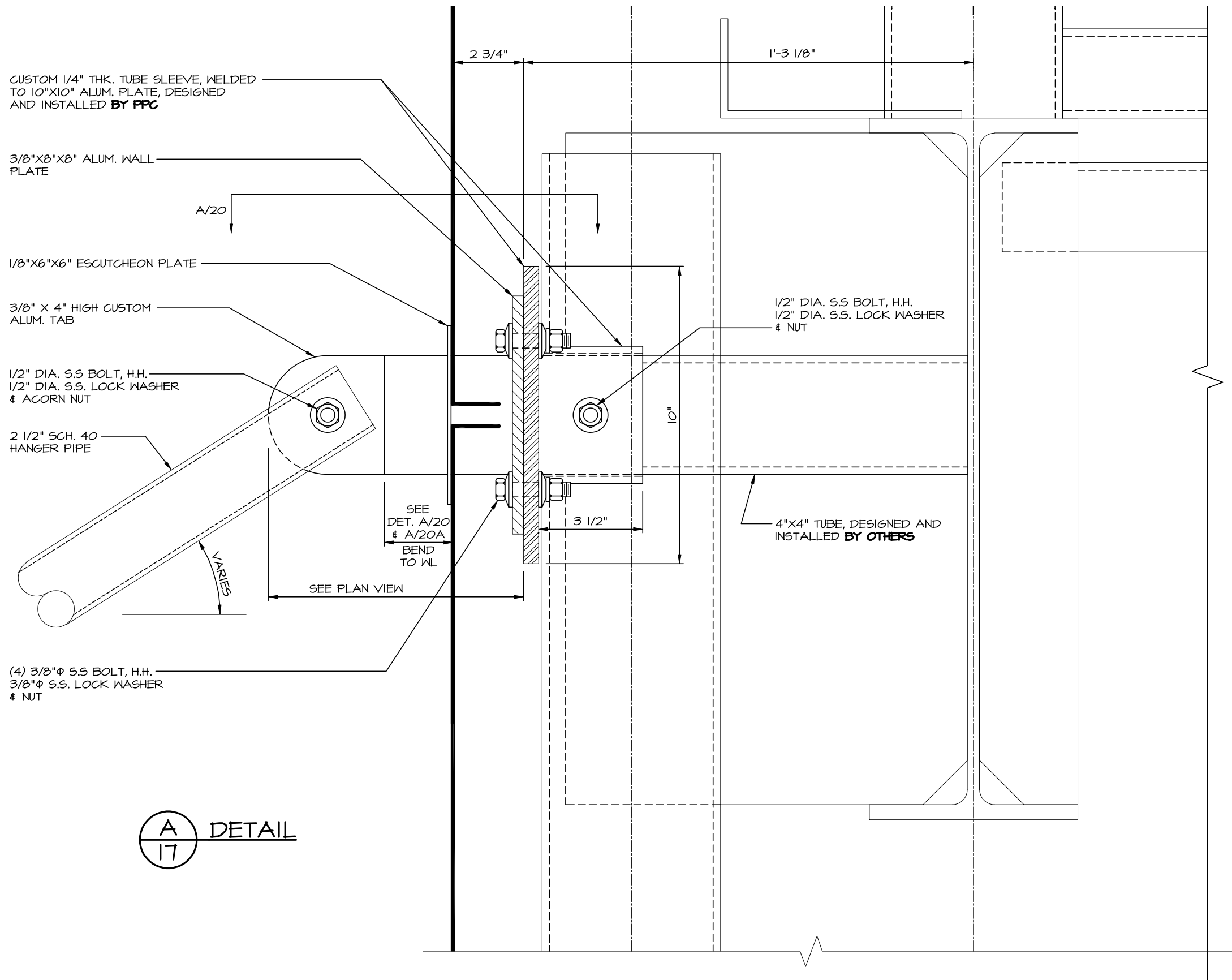
**DATE:** 02/27/08

**JOB #**

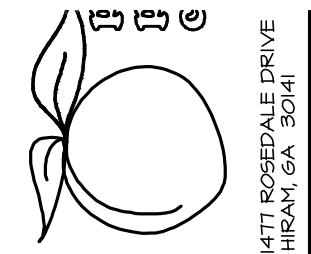
**4327**

**SHT 16 OF 24**

Drawing: 4321-FF.dwg Layout: 4321-24  
 Plotted: Oct 9, 2007 - 9:39pm By: Ty Griffies



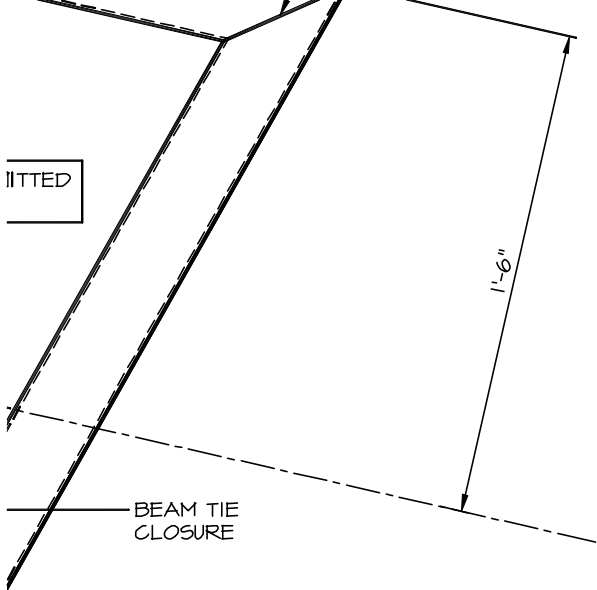
**A**  
17  
DETAIL



JOB NAME: ONE CITY CENTER  
 LOCATION: ATLANTA, GA  
 ARCHITECT: WAKEFIELD BEASLEY AND ASSOCIATES  
 CONTRACTOR: OSBOURNE & ASSOCIATES

REVISIONS	
JTG 3/28/08	
DRAWN: JTG	
SCALE: AS SHOWN	
DATE: 02/27/08	
JOB #	
4327	
SHT 17 OF 24	

MITTED



1/2" DIA. S.S BOLT, H.H.  
 1/2" DIA. S.S. LOCK WASHER  
 & NUT

6" Z-BLADE

0.5

6.2

— INTERNAL BOLT PLATE

— (4) SCREW, #14Bx3/4" S.S.

— 6"X6" BEAM

SCREW, #14B X 3/4"  
 S.S., AS REQ'D

CUSTOM 3/8" X 10" X 10"  
 ALUM. PLATES BY PPC W/  
 10" X 10" CUSTOM SHAPE  
 DESIGNED, PROVIDED &  
 INSTALLED BELOW BY OTHERS

1/8" BAR

#10 TEK SCREW

B  
18

BASE PLATE DETAIL

JOB NAME: ONE CITY CENTER

LOCATION: ATLANTA, GA

ARCHITECT: WAKEFIELD BEASLEY AND ASSOCIATES

CONTRACTOR: OSBOURNE & ASSOCIATES

REVISIONS

JTG 3/28/08

DRAWN: JTG

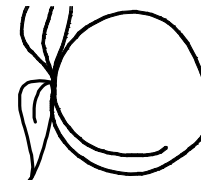
SCALE: AS SHOWN

DATE: 02/27/08

JOB #

4327

SHT 18 OF 24



1477 ROSEDALE DR  
HIRAM, GA 30141

JOB NAME: ONE CITY CENTER

LOCATION: ATLANTA, GA

ARCHITECT: WAKEFIELD BEASLEY AND ASSOCIATES

CONTRACTOR: OSBOURNE & ASSOCIATES

REVISIONS

JTG 3/28/08

DRAWN: JTG

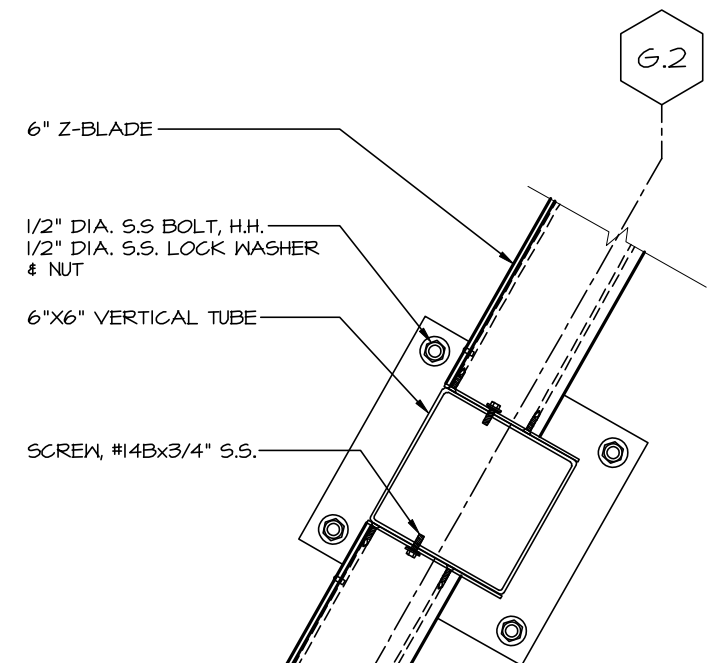
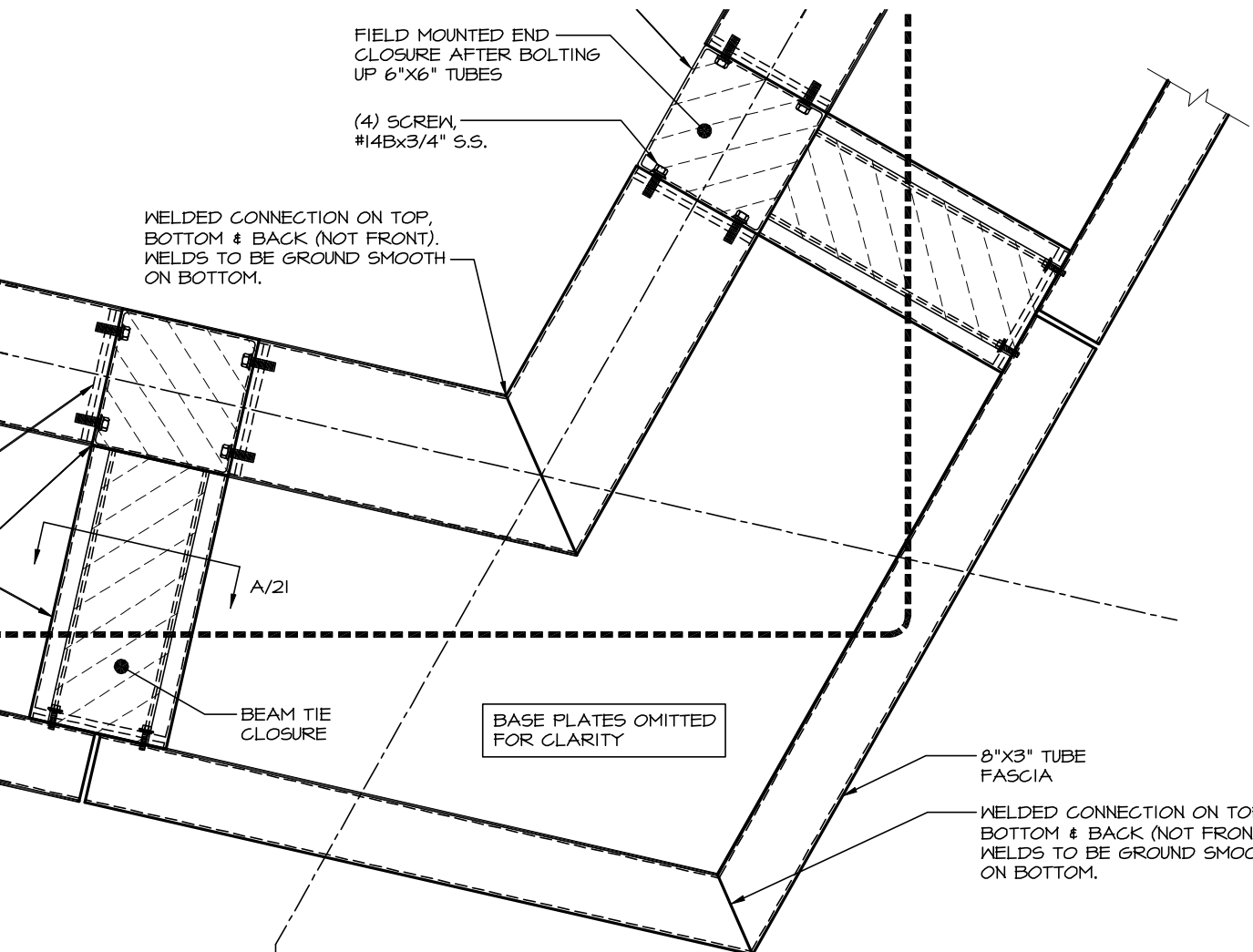
SCALE: AS SHOWN

DATE: 02/27/08

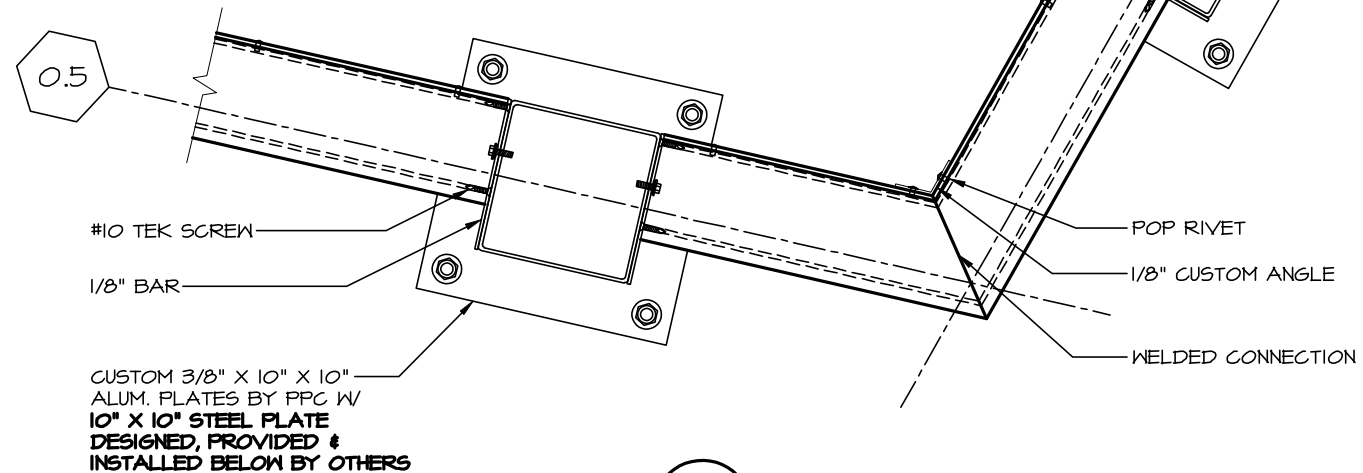
JOB #

4327

SHT 19 OF 24

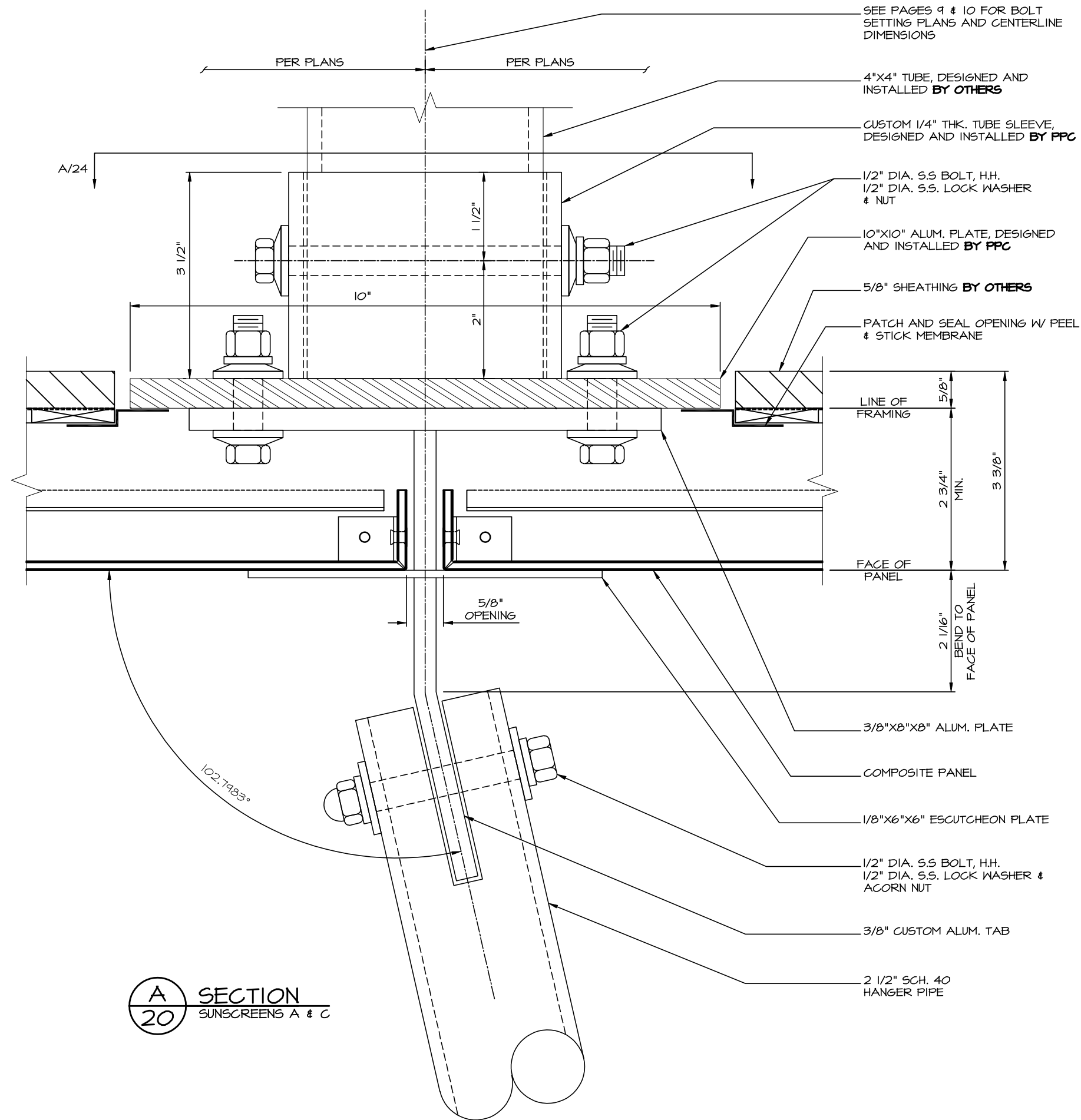


**A**  
19  
DETAIL



**B**  
19  
BASE PLATE DETAIL

Drawing: 4327-FF.dwg Layout: 4327-24  
 Plotted: Oct 9, 2007 - 9:34pm By: Tj Griffiths



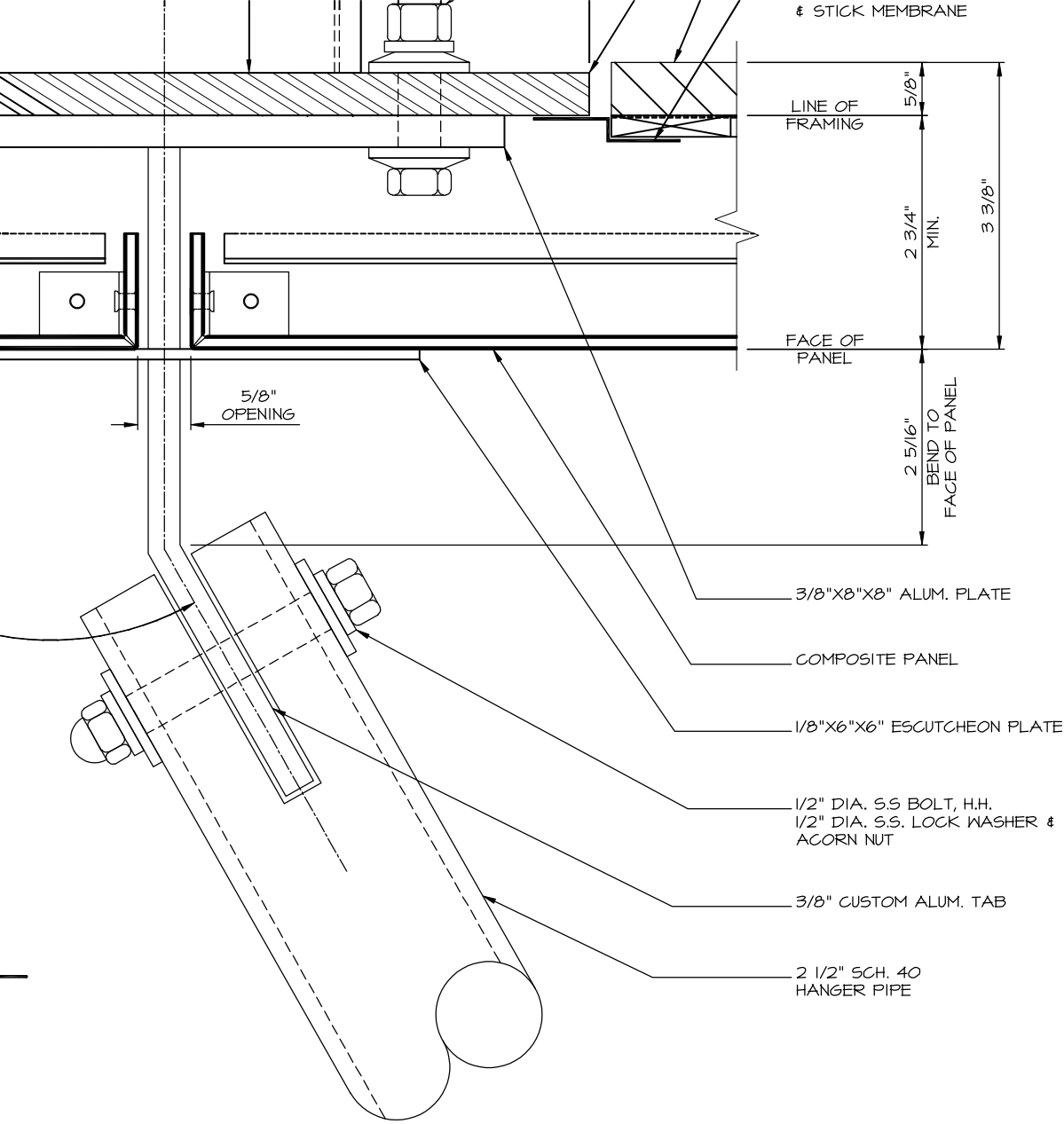
**A**  
20 SECTION  
SUNSCREENS A & C

peachtree protective covers

1477 ROSEDALE DRIVE PHONE (770) 434-2120  
 HIRAM, GA 30141 FAX (770) 434-2122

JOB NAME: ONE CITY CENTER  
 LOCATION: ATLANTA, GA  
 ARCHITECT: WAKEFIELD BEASLEY AND ASSOCIATES  
 CONTRACTOR: OSBOURNE & ASSOCIATES

REVISIONS	
JTG 3/28/08	
DRAWN: JTG	
SCALE: AS SHOWN	
DATE: 02/27/08	
JOB #	
4327	
SHT 20 OF 24	



JOB NAME: ONE CITY CENTER

LOCATION: ATLANTA, GA

ARCHITECT: WAKEFIELD BEASLEY AND ASSOCIATES  
 CONTRACTOR: OSBOURNE & ASSOCIATES

REVISIONS

JTG 3/28/08	

DRAWN: JTG

SCALE: AS SHOWN

DATE: 02/27/08

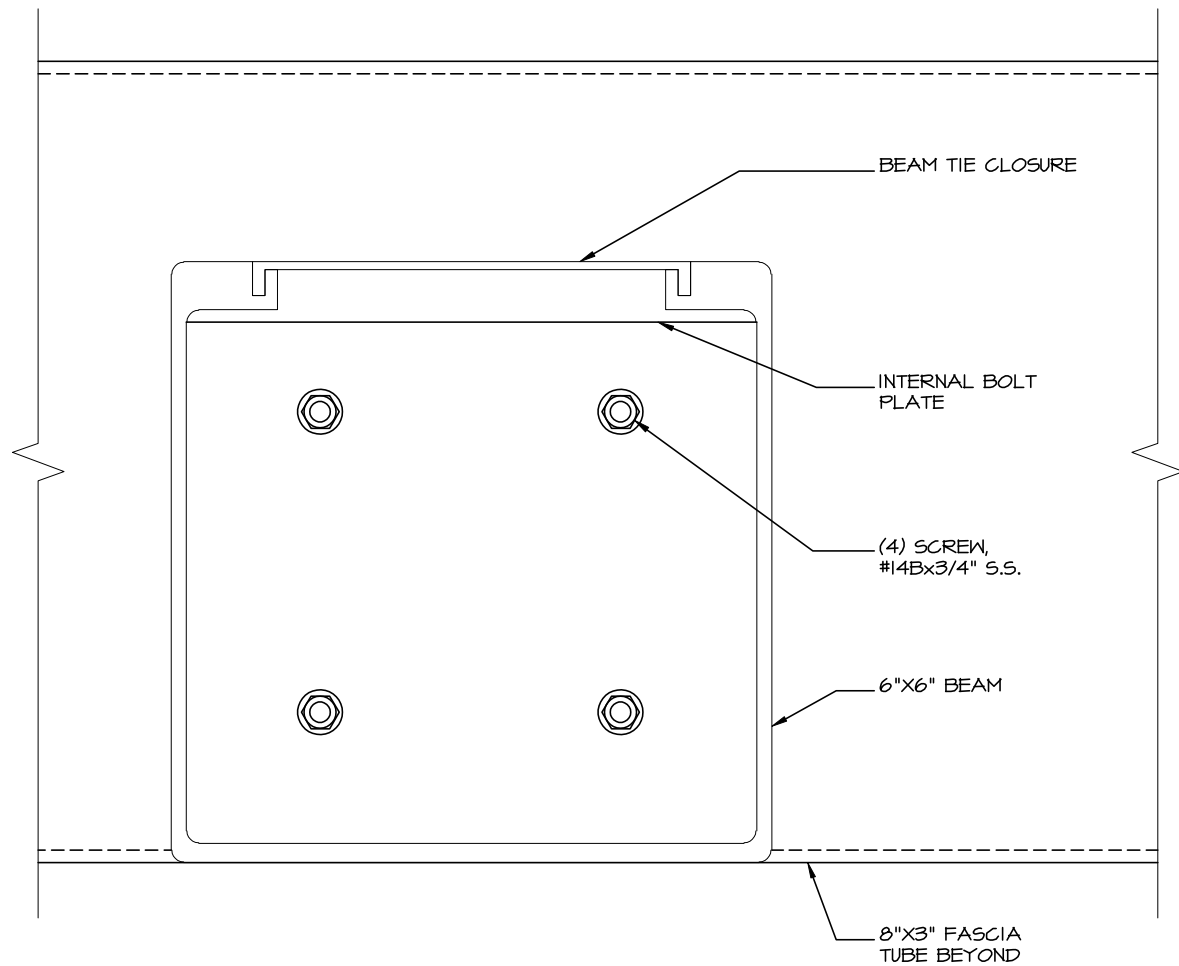
JOB #

4327

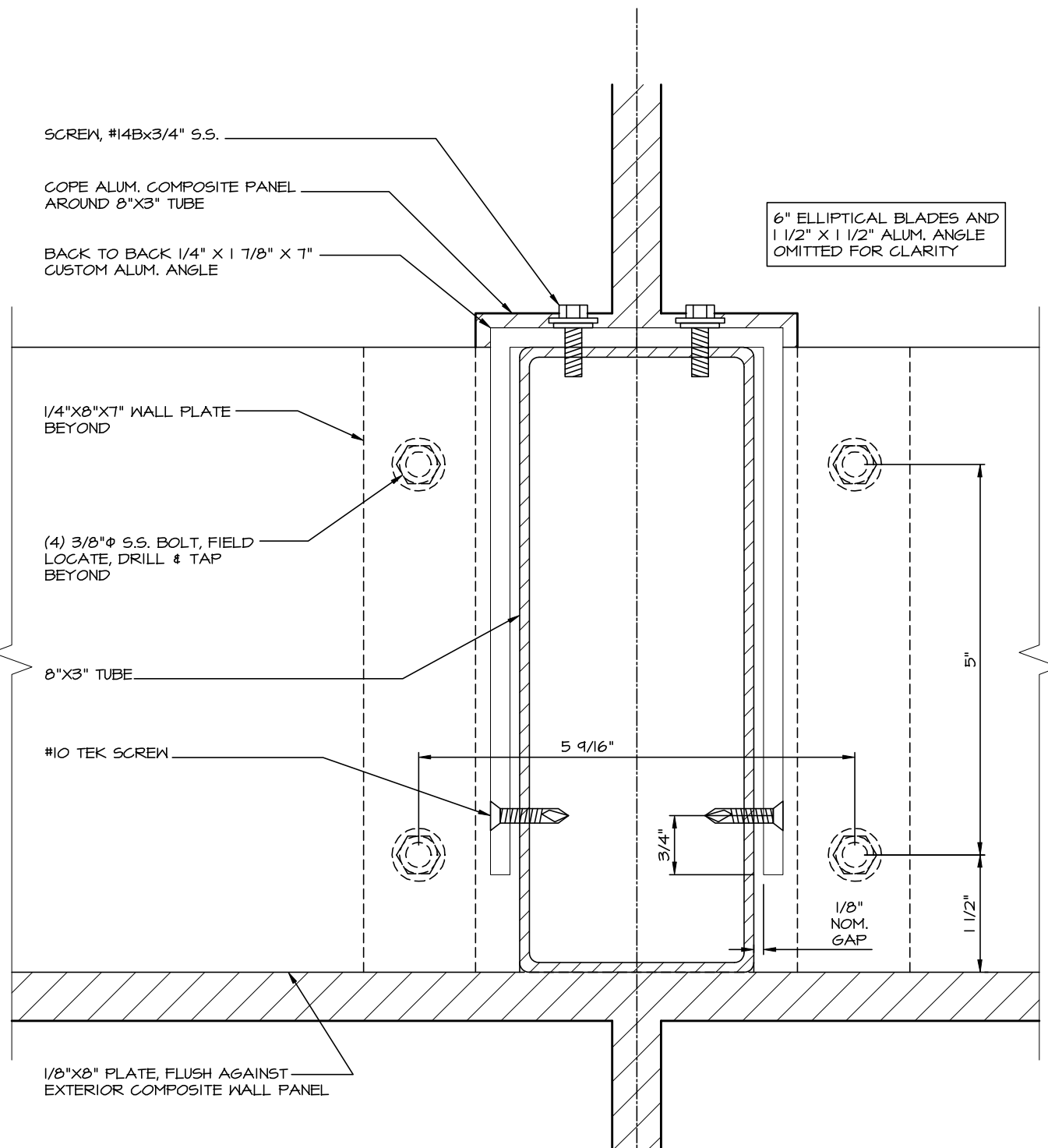
SHT 20A OF 24



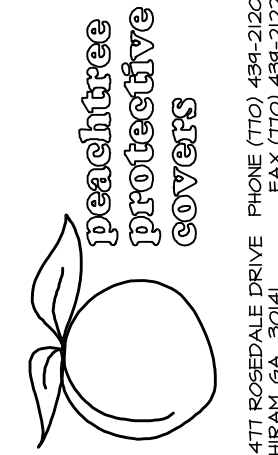
Drawing: 4327-FF.dwg Layout: 4327-24  
 Plotted: Oct 9, 2007 - 9:39pm By: Tj Griffiths



**A**  
21 SECTION



**B**  
21 SECTION



1477 ROSEDALE DRIVE PHONE (770) 434-2120  
 HIRAM, GA 30141 FAX (770) 434-2122

JOB NAME: ONE CITY CENTER  
 LOCATION: ATLANTA, GA  
 ARCHITECT: WAKEFIELD BEASLEY AND ASSOCIATES  
 CONTRACTOR: OSBOURNE & ASSOCIATES

REVISIONS


DRAWN: JTG

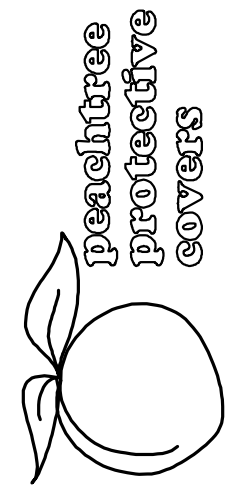
SCALE: AS SHOWN

DATE: 02/27/08

JOB #

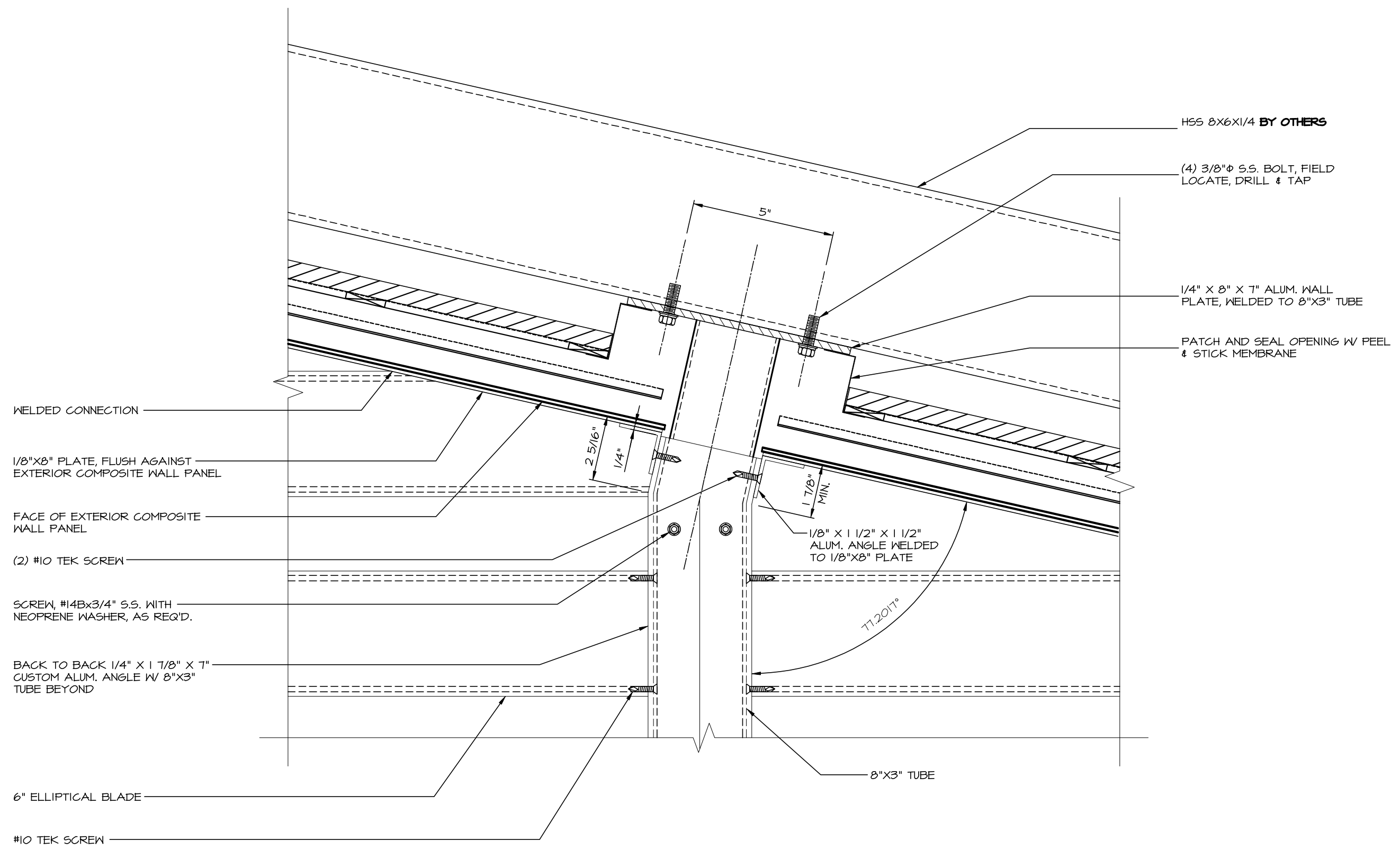
4327

SHT 21 OF 24



peachtree  
protective  
covers

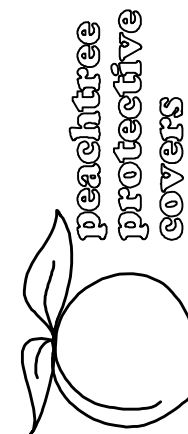
1477 ROSEDALE DRIVE PHONE (770) 439-2120  
HIRAM, GA 30141 FAX (770) 439-2122



JOB NAME: ONE CITY CENTER  
LOCATION: ATLANTA, GA  
ARCHITECT: WAKEFIELD BEASLEY AND ASSOCIATES  
CONTRACTOR: OSBOURNE & ASSOCIATES

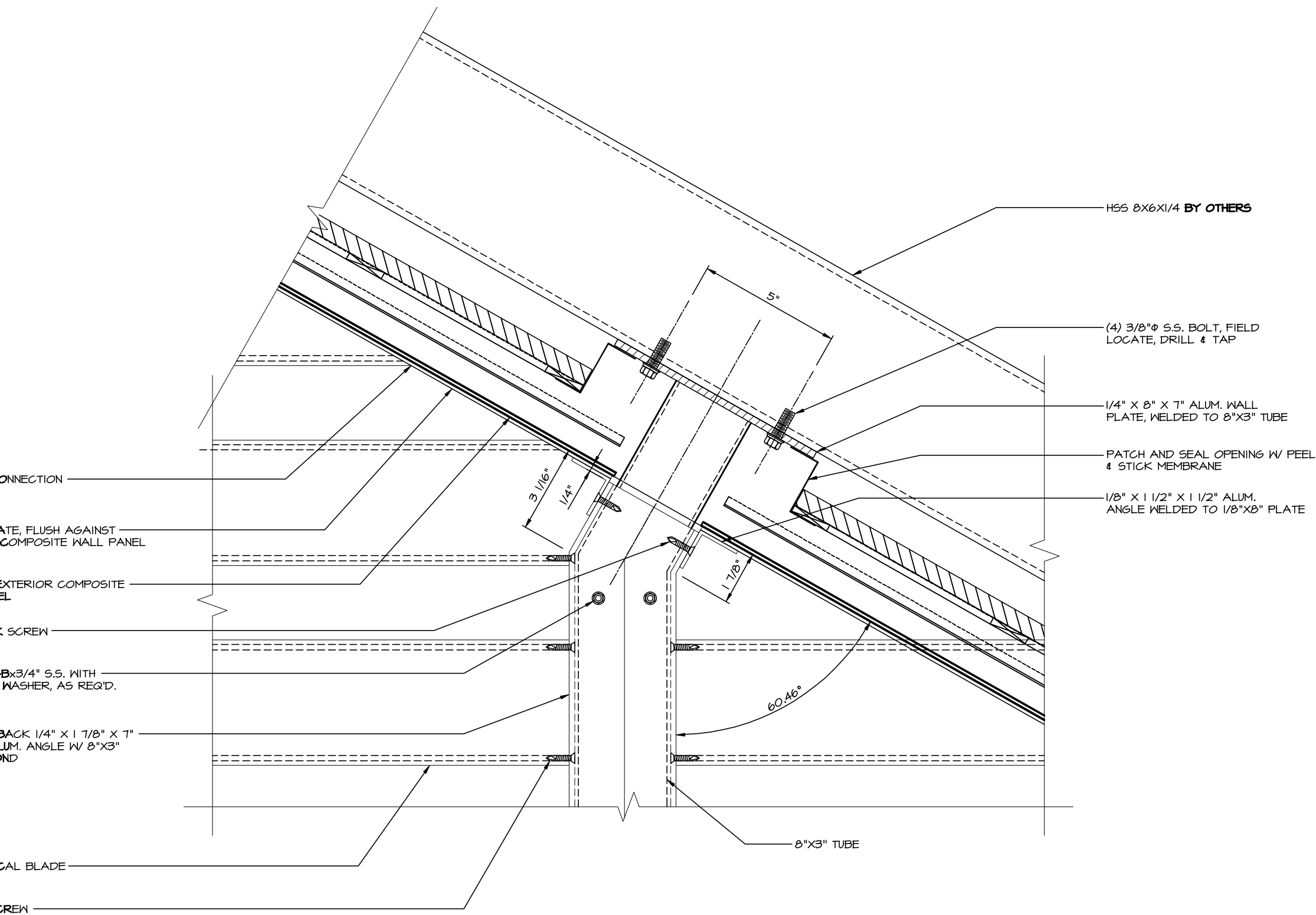
REVISIONS	
JTG 3/28/08	
DRAWN: JTG	
SCALE: AS SHOWN	
DATE: 02/27/08	
JOB #	
4327	

**A**  
22 **DETAIL**  
SUNSCREENS A & C



peachtree  
protective  
covers

1477 ROSEDALE DRIVE PHONE (770) 434-2120  
HIRAM, GA 30141 FAX (770) 434-2122

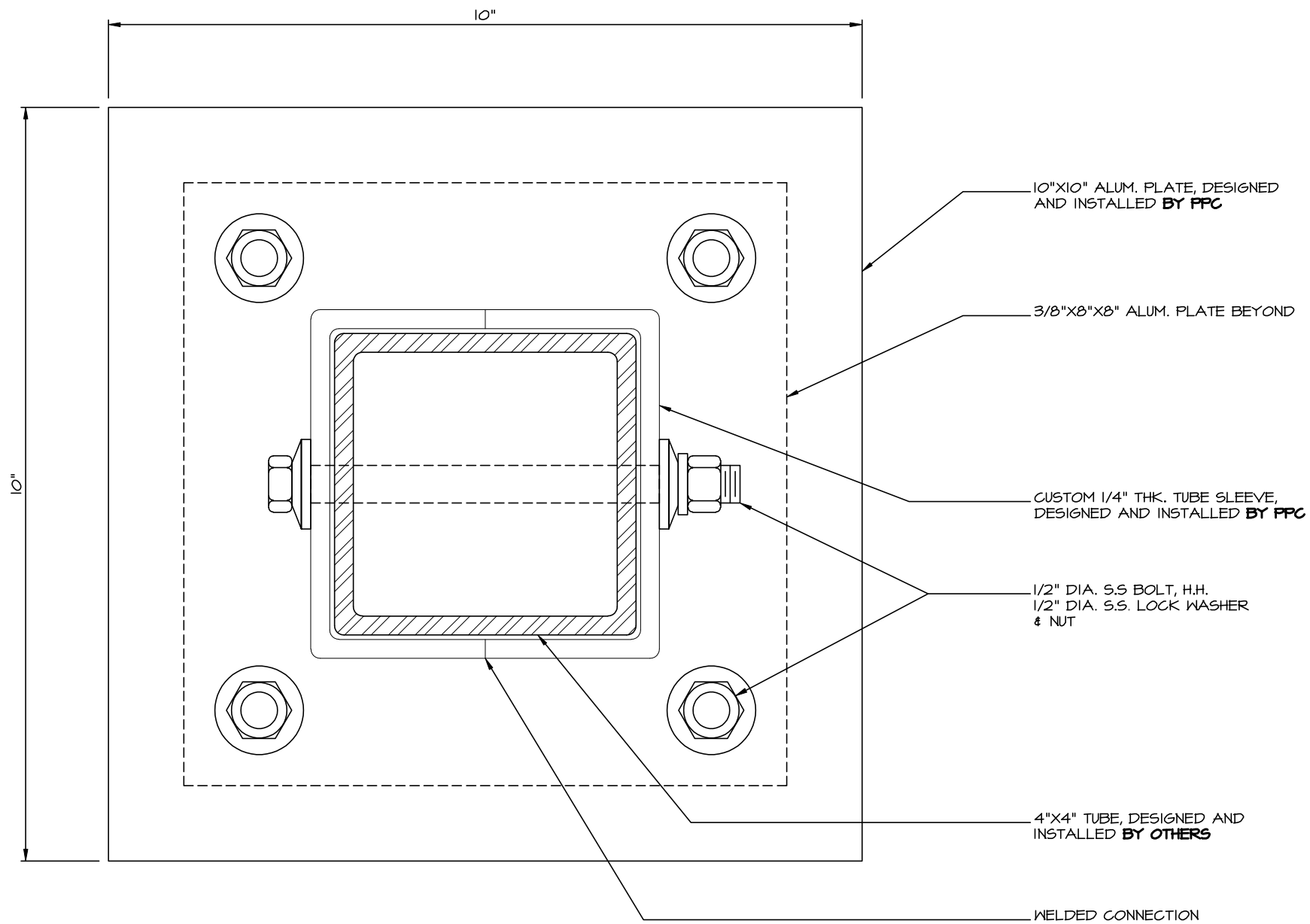


JOB NAME: ONE CITY CENTER  
LOCATION: ATLANTA, GA  
ARCHITECT: WAKEFIELD BEASLEY AND ASSOCIATES  
CONTRACTOR: OSBOURNE & ASSOCIATES

REVISIONS	
JTG 3/28/08	
DRAWN: JTG	
SCALE: AS SHOWN	
DATE: 02/27/08	

**A**  
23  
DETAIL  
SUNSCREEN B

Drawing: 4327-FF.dwg Layout: 4327-24  
 Plotted: Oct 9, 2007 - 9:39pm By: Tj Griffiths



A  
24 SECTION  
 SUNSCREENS A & C

JOB NAME: ONE CITY CENTER  
 LOCATION: ATLANTA, GA  
 ARCHITECT: WAKEFIELD BEASLEY AND ASSOCIATES  
 CONTRACTOR: OSBOURNE & ASSOCIATES

REVISIONS	
JTG 3/28/08	
DRAWN: JTG	
SCALE: AS SHOWN	
DATE: 02/27/08	
JOB #	
4327	
SHT 24 OF 24	