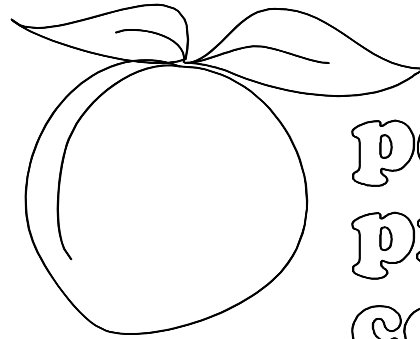


JOB # 2814



peachtree
protective
covers

PALM BEACH
COMMUNITY COLLEGE

LAKE WORTH, FL

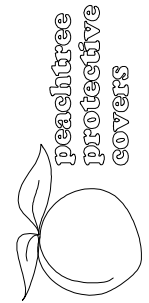
BY

SCHWAB, TWITTY & HANSER
ARCHITECTURAL GROUP

FEBRUARY 2, 2003

1477 ROSEDALE DRIVE
HIRAM, GA 30141
(770) 439-2120
fax (770) 439-2122

NOTE:
PEACHTREE PROTECTIVE COVERS RESERVES
THE RIGHT TO INSTALL MECHANICAL JOINTS
IN COLUMNS THAT EXCEED SHIPPING LIMITATIONS.

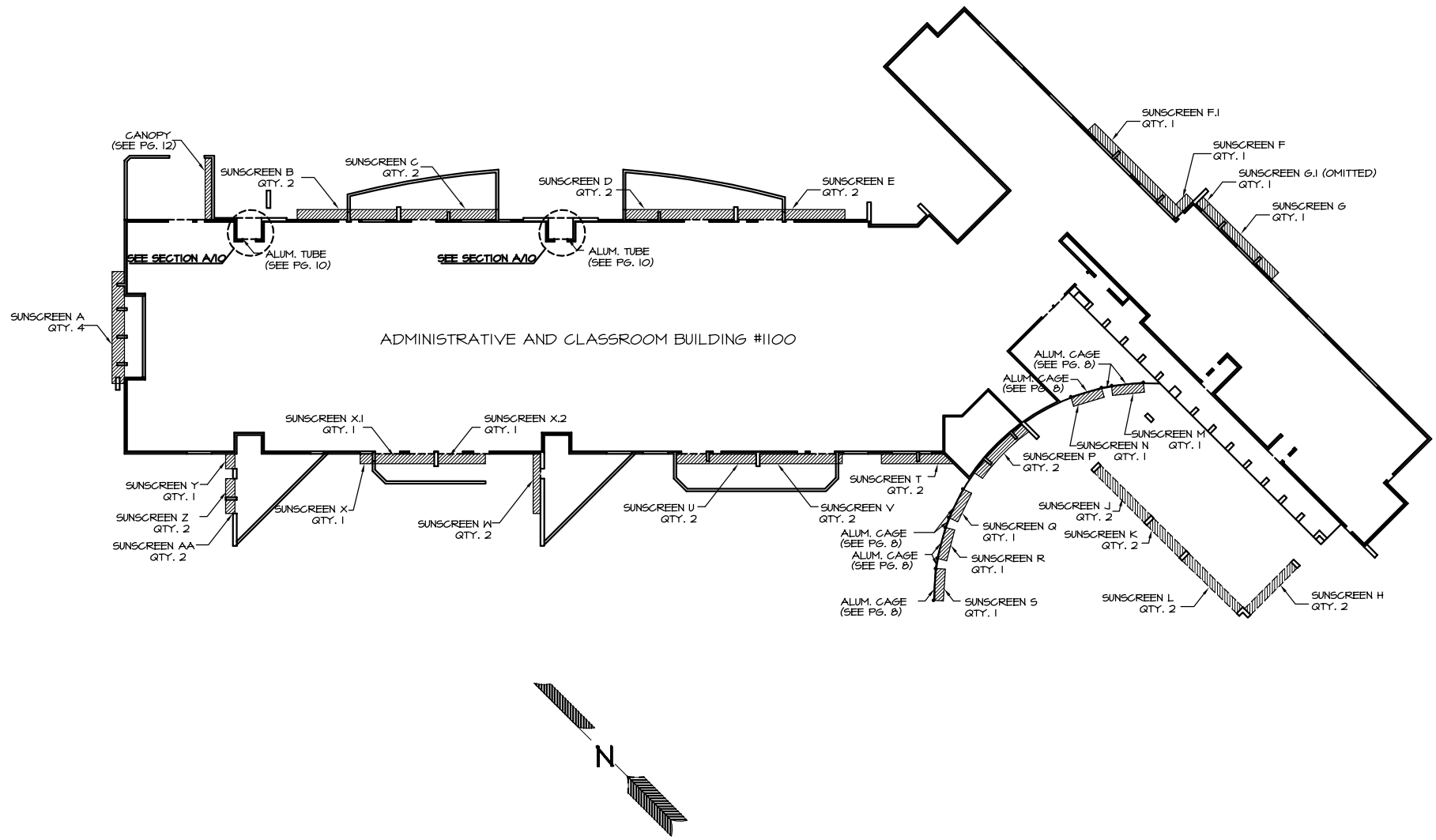


peachtree protective covers
 1477 ROSEDALE DRIVE
 HIRAM, GA 30141
 PHONE (770) 434-2120
 FAX (770) 434-2122

JOB NAME: PALM BEACH COMMUNITY COLLEGE
 LOCATION: LAKE WORTH, FL
 ARCHITECT: CENTEX ROONEY CONSTRUCTION COMPANY
 CONTRACTOR: SCHWAB, TWITTY & HANSER ARCHITECTURE

REVISIONS	
10/15/02 RW	
11/27/02 AM	
12/12/02 AM	
DRAWN: LISA	
SCALE: AS SHOWN	

DATE: 5/30/02
 JOB # 2814
 SHT 1 OF 15

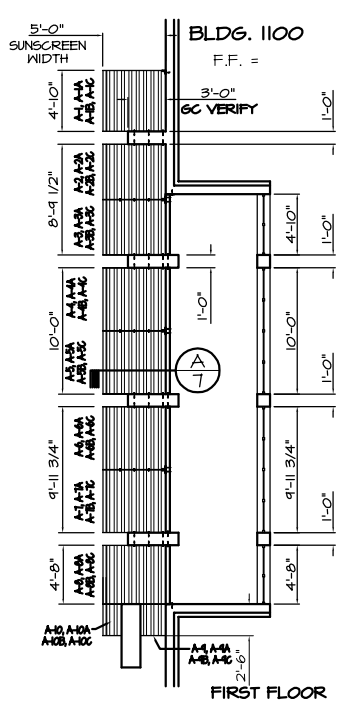


GC NOTE:
 GC SHALL PROVIDE FIELD VERIFIED DIMENSIONS, BUILDING LOCATIONS, AND ELEVATIONS OF FINISHED SIDEWALK AT EACH COLUMN LOCATION PRIOR TO CANOPY FABRICATION.

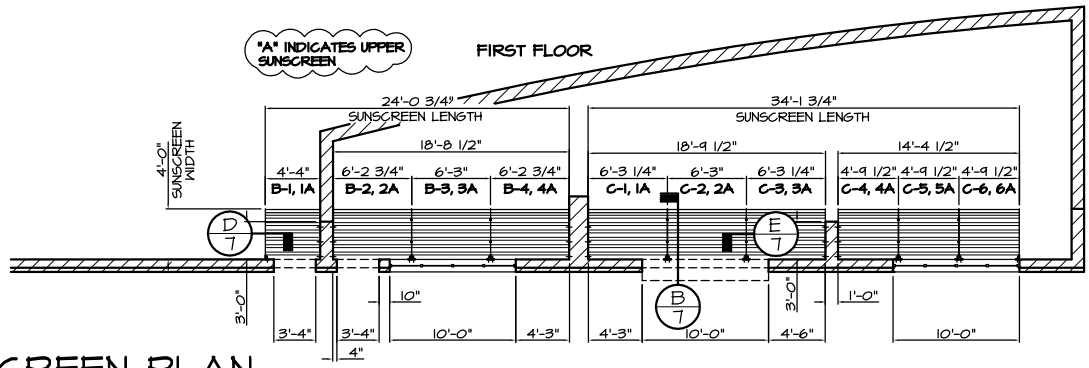
G.C. TO PROVIDE ELEVATIONS FOR TOP OF FOOTING AT EACH COLUMN LOCATION.

TREE GRATES		
QTY	DESCRIPTION	FINISH
28	5'-0" SQUARE TREE GRATE (GRATE CAST IN 2 PIECES) W/ 16" DIA TREE GRATE OPENING	CAST IRON

FINISH SCHEDULE		
DESCRIPTION	FINISH	COLOR
1/4" OUTRIGGER PLATE	ANODIZED	CLEAR, CLASS I (A41)
3/8" X 3" X 3 1/2" MTG ANGLE	ANODIZED	CLEAR, CLASS I (A41)
3" DIA. FASCIA TUBE	ANODIZED	CLEAR, CLASS I (A41)
4" ELLIPTICAL BLADE	ANODIZED	CLEAR, CLASS I (A41)



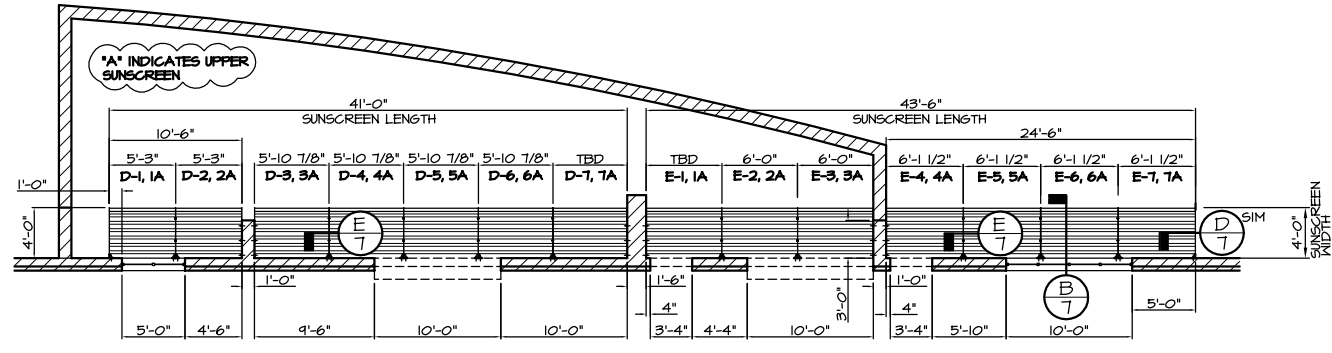
SUNSCREEN PLAN
SUNSCREEN A
 QTY 4: 6'-0" A.F.F, 12'-0" A.F.F,
 18'-0" A.F.F, 27'-0" A.F.F.



SUNSCREEN PLAN
SUNSCREEN B
 QTY 2: 12'-0" A.F.F & 27'-0" A.F.F.

BLDG. 1100
 F.F. =

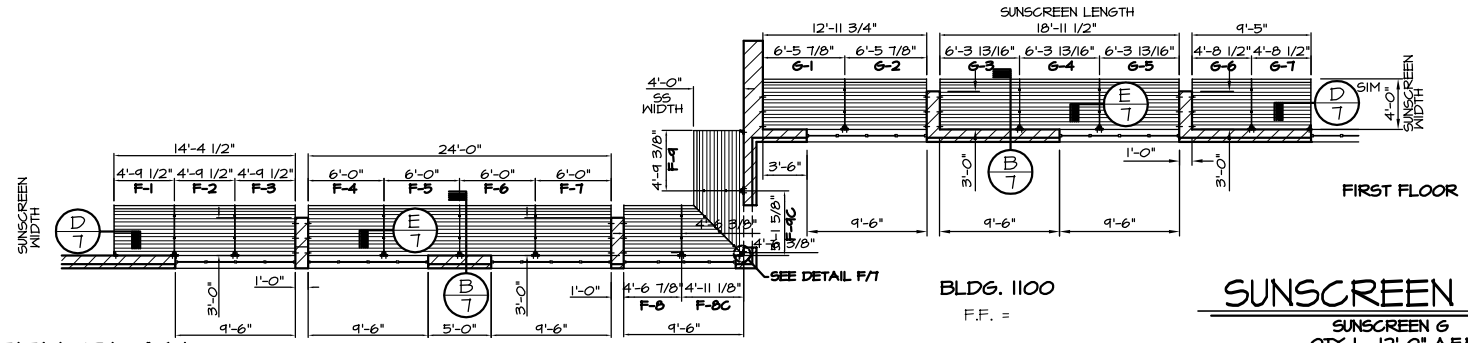
SUNSCREEN PLAN
SUNSCREEN C
 QTY 2: 12'-0" A.F.F. & 27'-0" A.F.F.



SUNSCREEN PLAN
SUNSCREEN D
 QTY 2: 12'-0" A.F.F & 27'-0" A.F.F.

BLDG. 1100
 F.F. =

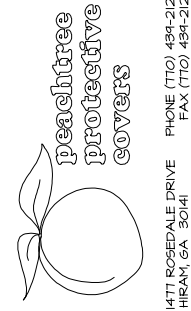
SUNSCREEN PLAN
SUNSCREEN E
 QTY 2: 12'-0" A.F.F & 27'-0" A.F.F.



SUNSCREEN PLAN
SUNSCREEN F
 QTY 1: 12'-0" A.F.F.

BLDG. 1100
 F.F. =

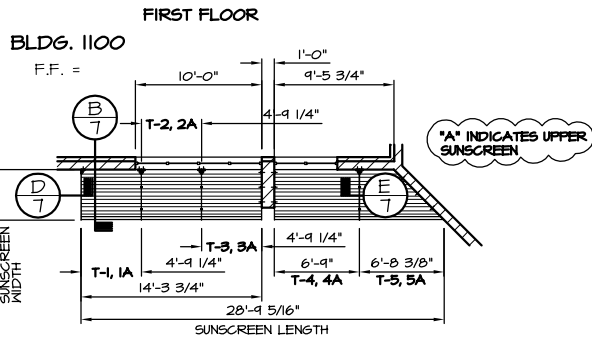
SUNSCREEN PLAN
SUNSCREEN G
 QTY 1: 12'-0" A.F.F.



PHONE (770) 439-2102
 FAX (770) 439-2122
 1471 ROSEDALE DRIVE
 HIRAM, GA 30141

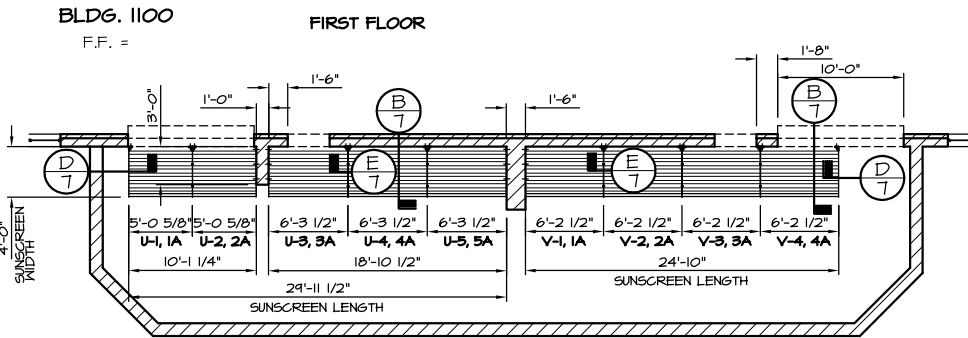
JOB NAME: PALM BEACH COMMUNITY COLLEGE
 LOCATION: LAKE WORTH, FL
 ARCHITECT: CENTEX ROONEY CONSTRUCTION COMPANY
 CONTRACTOR: SCHWAB, TWITTY & HANSER ARCHITECTURE

REVISIONS	
11/27/02 AM	
12/12/02 AM	
DRAWN: LISA	
SCALE: AS SHOWN	
DATE: 5/30/02	
JOB #	
2814	
SHT 2 OF 15	



SUNSCREEN PLAN

SUNSCREEN T
QTY 2: 12'-0" A.F.F. & 27'-0" A.F.F.

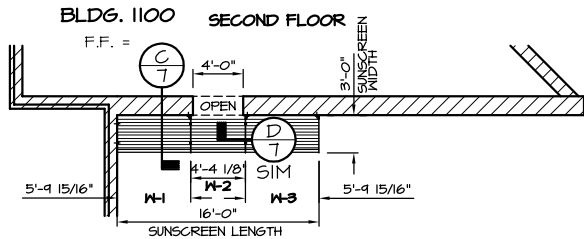


SUNSCREEN PLAN

SUNSCREEN U
QTY 2: 12'-0" A.F.F. & 27'-0" A.F.F.

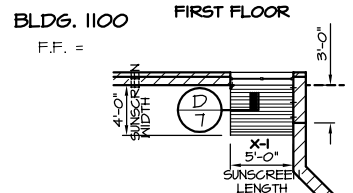
SUNSCREEN PLAN

SUNSCREEN V
QTY 2: 12'-0" A.F.F. & 27'-0" A.F.F.



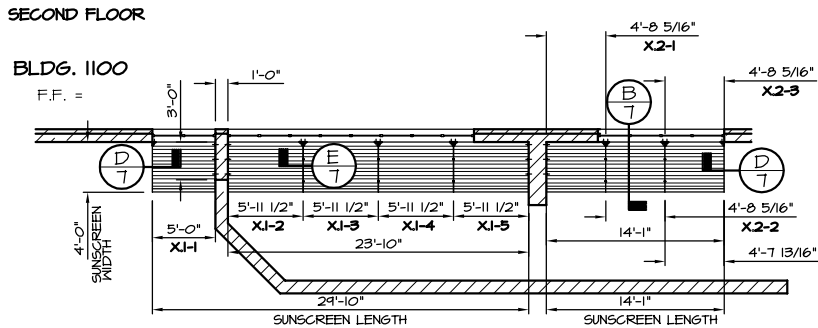
SUNSCREEN PLAN

SUNSCREEN W
QTY 1: 23'-0" A.F.F.



SUNSCREEN PLAN

SUNSCREEN X
QTY 1: 12'-0" A.F.F.

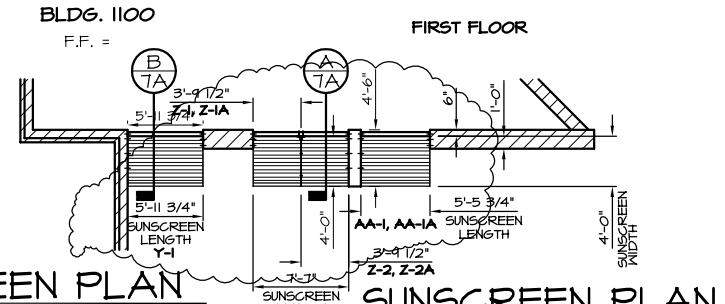


SUNSCREEN PLAN

SUNSCREEN XI
QTY 1: 27'-0" A.F.F.

SUNSCREEN PLAN

SUNSCREEN X2
QTY 1: 27'-0" A.F.F.



SUNSCREEN PLAN

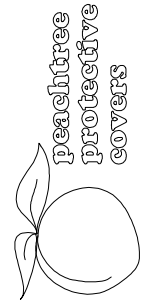
SUNSCREEN Y
QTY 1: 23'-0" A.F.F.

SUNSCREEN PLAN

SUNSCREEN AA
QTY 2: 18'-0" A.F.F. & 23'-0" A.F.F.

SUNSCREEN PLAN

SUNSCREEN Z
QTY 2: 18'-0" A.F.F. & 23'-0" A.F.F.



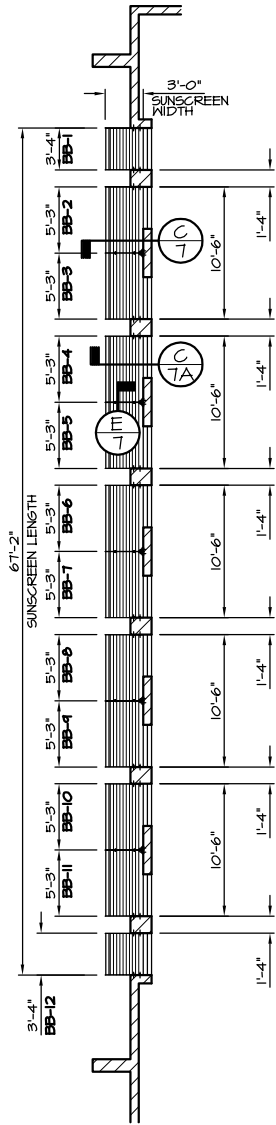
PHONE (770) 434-2120
FAX (770) 434-2122
1477 ROSEDALE DRIVE
HIRAM, GA 30141

JOB NAME: PALM BEACH COMMUNITY COLLEGE
LOCATION: LAKE WORTH, FL
ARCHITECT: CENTEX ROONEY CONSTRUCTION COMPANY
CONTRACTOR: SCHWAB, TWITTY & HANSER ARCHITECTURE

REVISIONS

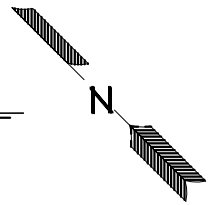
12/12/02 AM	
DRAWN: LISA	
SCALE: AS SHOWN	
DATE: 5/30/02	

JOB #
2814
SHT 4 OF 15

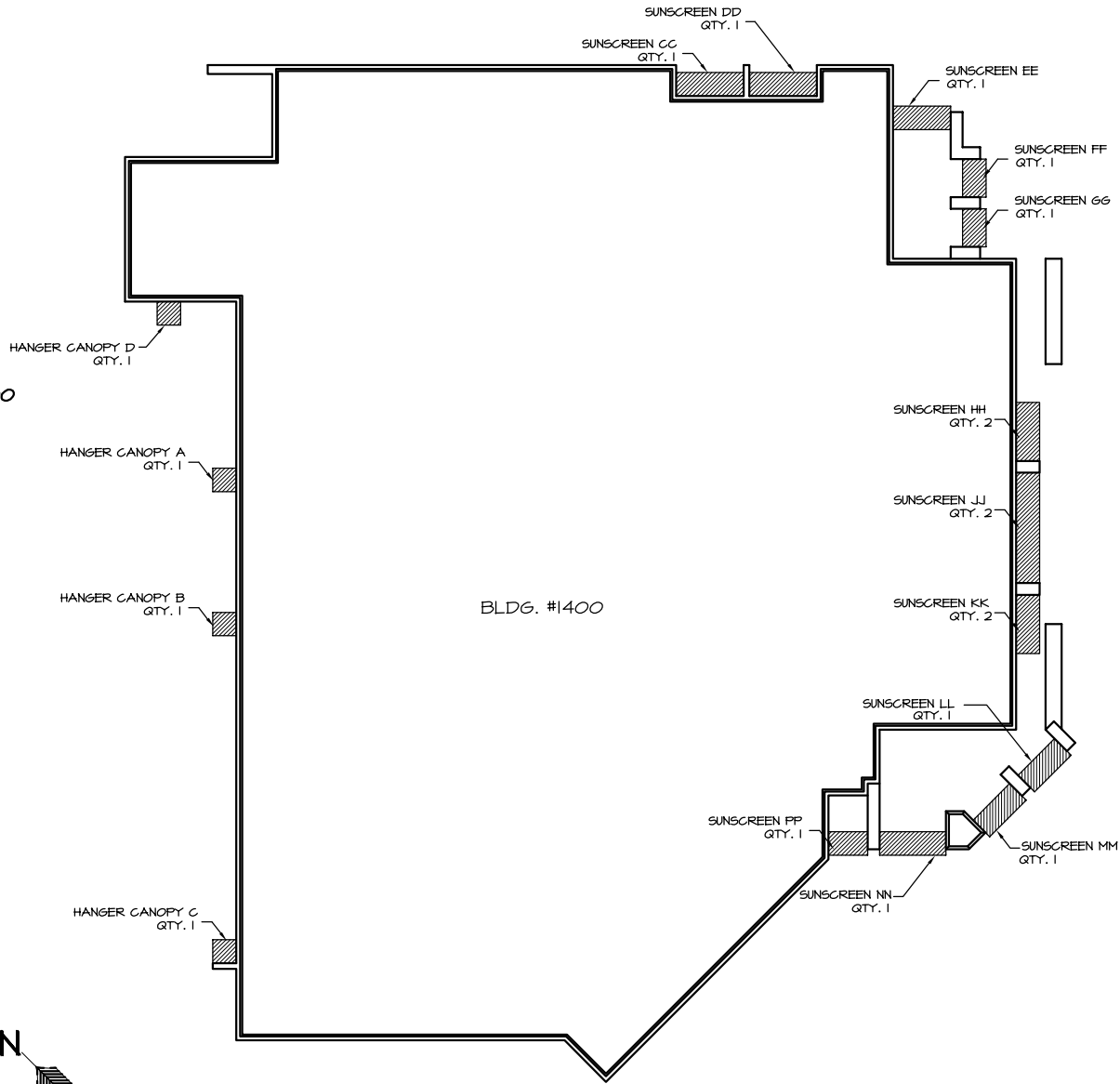


SUNSCREEN PLAN

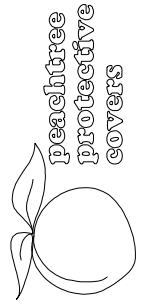
SUNSCREEN BB
QTY 1: 12'-0" A.F.F.



BLDG. 1200
F.F. =



BLDG. #1400



PHONE (770) 434-2120
FAX (770) 434-2122
1477 ROSEDALE DRIVE
HIRAM, GA 30141

JOB NAME: PALM BEACH COMMUNITY COLLEGE

LOCATION: LAKE WORTH, FL

ARCHITECT: CENTEX ROONEY CONSTRUCTION COMPANY

CONTRACTOR: SCHWAB, TWITTY & HANSER ARCHITECTURE

REVISIONS

11/27/02 AM	
12/12/02 AM	

DRAWN: LISA

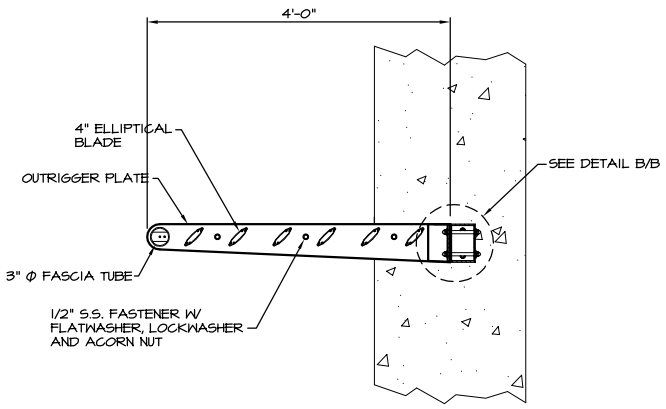
SCALE: AS SHOWN

DATE: 5/30/02

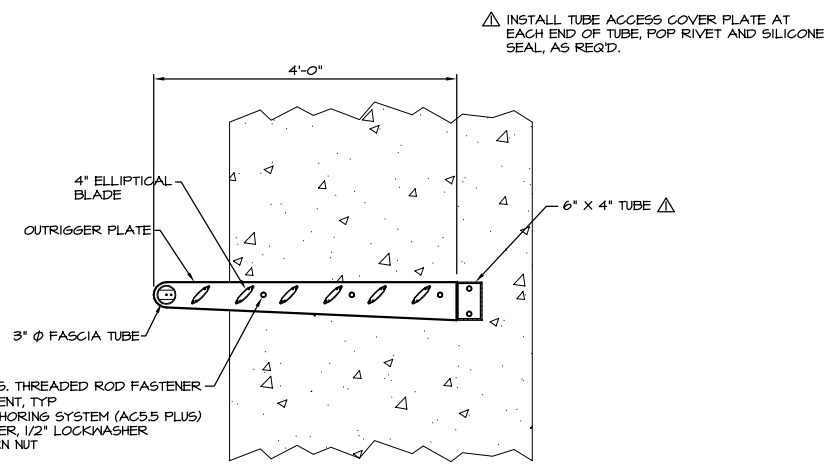
JOB #

2814

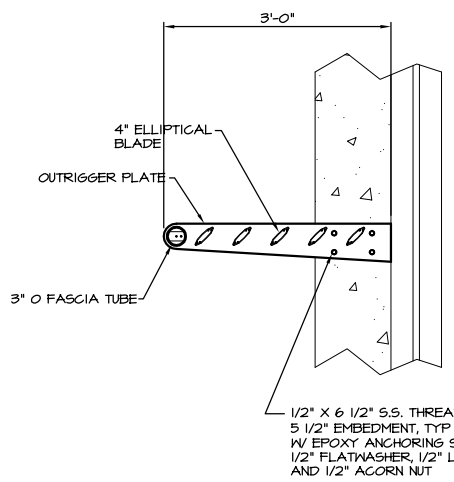
SHT 5 OF 15



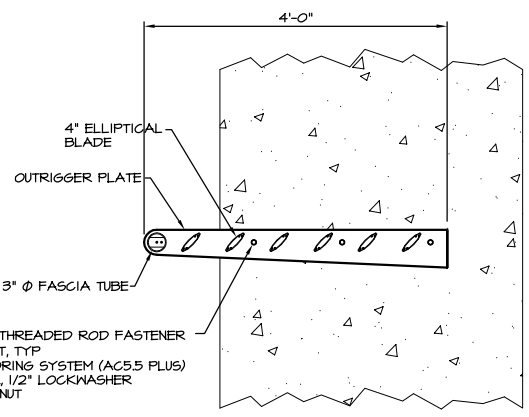
A SECTION
7A



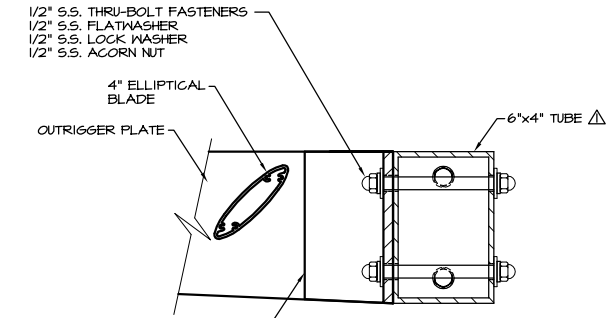
B SECTION
7A



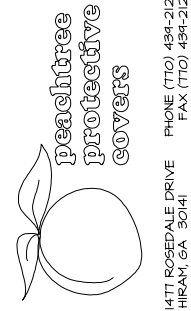
C SECTION
7A



D SECTION
7A



B VIEW
B

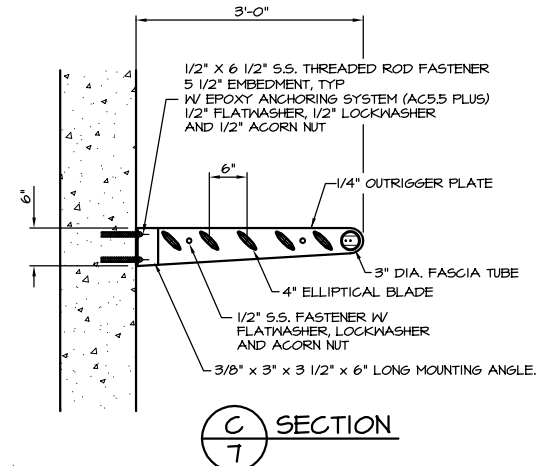
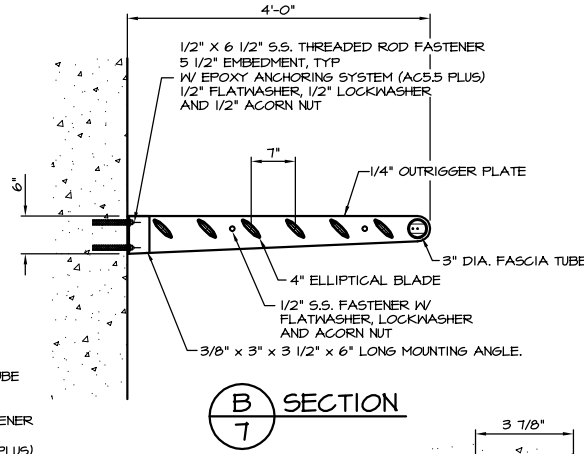
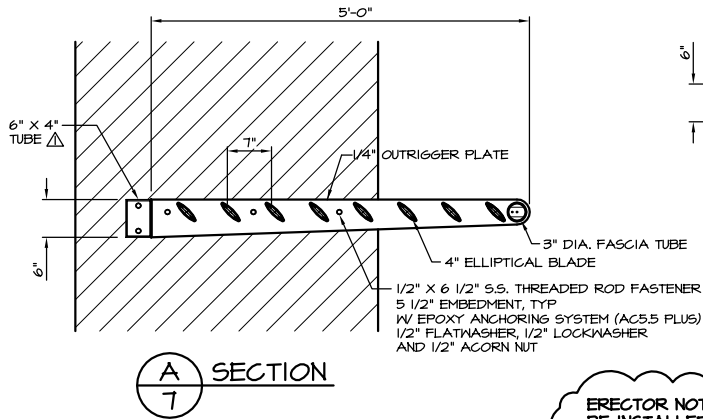


PHONE (770) 494-2100
FAX (770) 494-2122
14111 ROSEDALE DRIVE
HIRAM, GA 30141

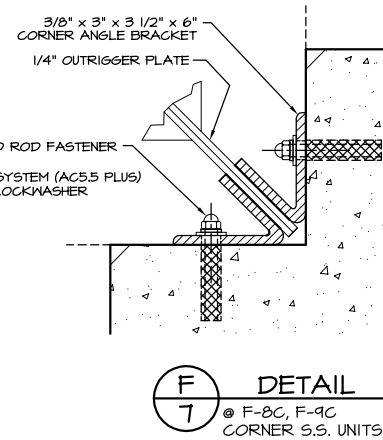
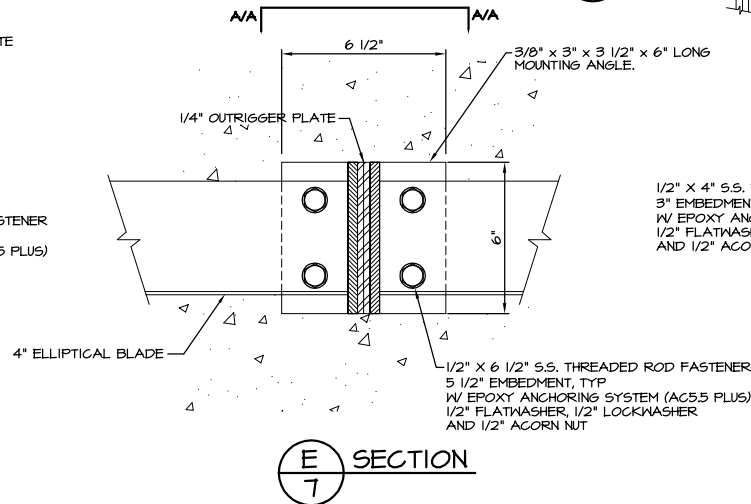
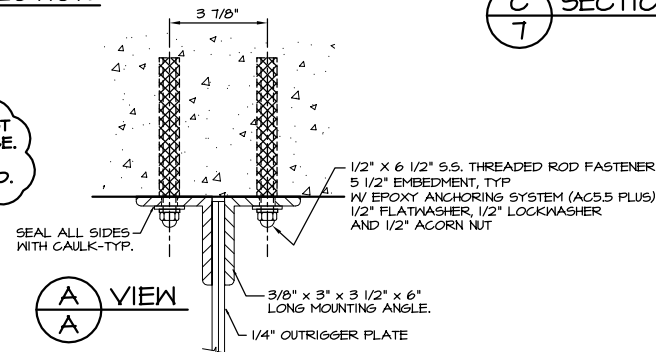
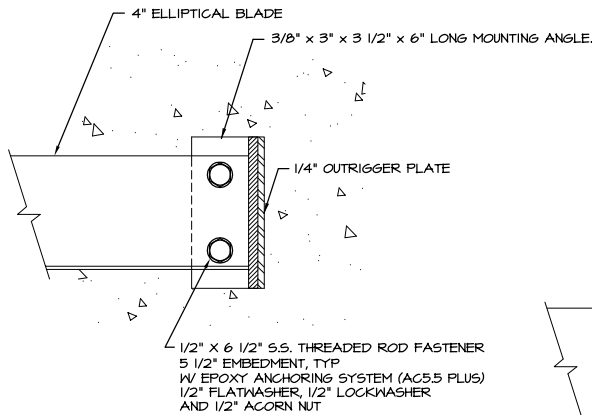
JOB NAME: PALM BEACH COMMUNITY COLLEGE
LOCATION: LAKE WORTH, FL
ARCHITECT: CENTEX ROONEY CONSTRUCTION COMPANY
CONTRACTOR: SCHWAB, TWITTY & HANSER ARCHITECTURE

REVISIONS	
12/12/02 AM	
DRAWN: ALLAN	
SCALE: AS SHOWN	
DATE: 11/27/02	
JOB #	
2814	
SHT 7A OF 15	

△ INSTALL TUBE ACCESS COVER PLATE AT EACH END OF TUBE, POP RIVET AND SILICONE SEAL, AS REQ'D.



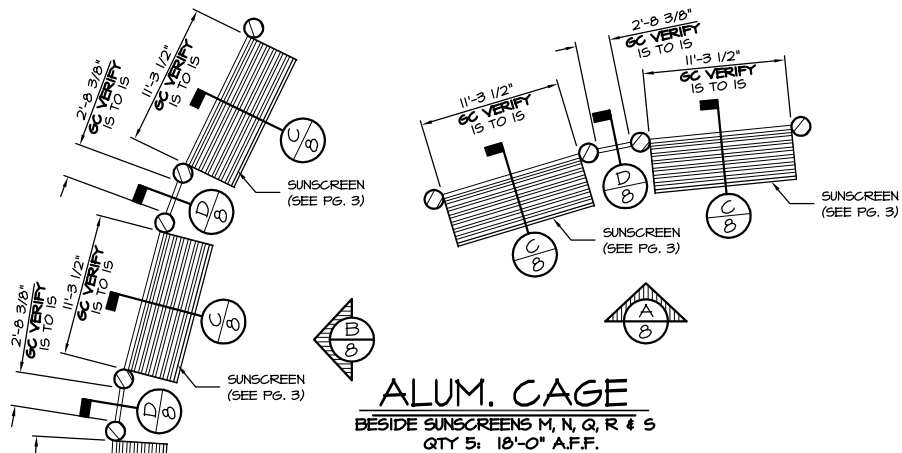
ERECTOR NOTE: SOME EPOXY ANCHORS MUST BE INSTALLED AFTER SUNSCREEN IS IN PLACE. (i.e. IN CORNERS AND ON SIDE WALLS) SUPPORT SUNSCREEN UNTIL ANCHOR IS CURED.



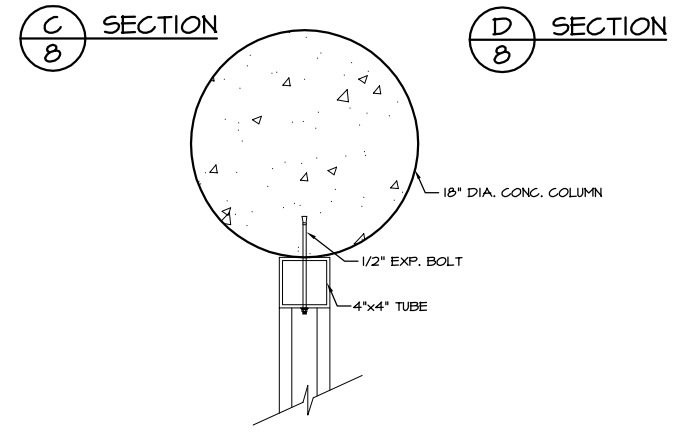
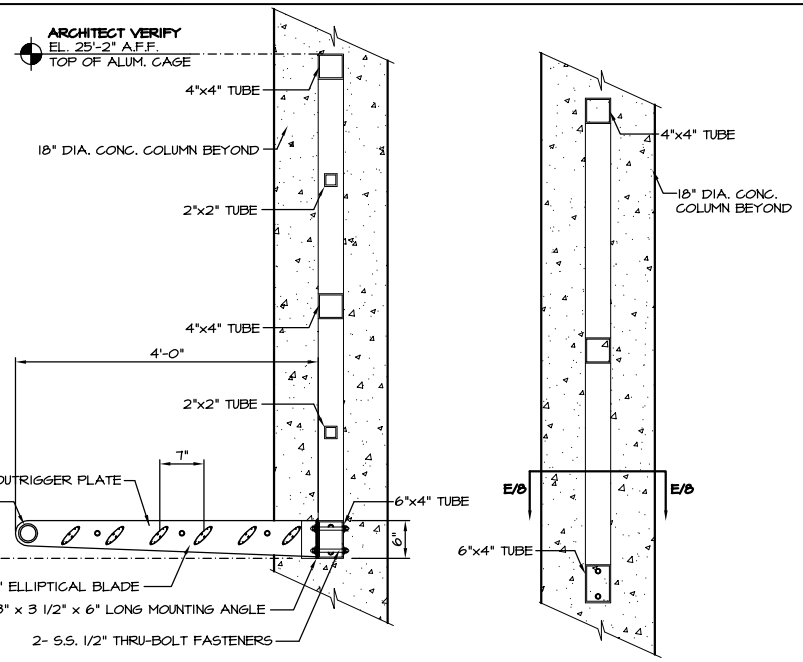
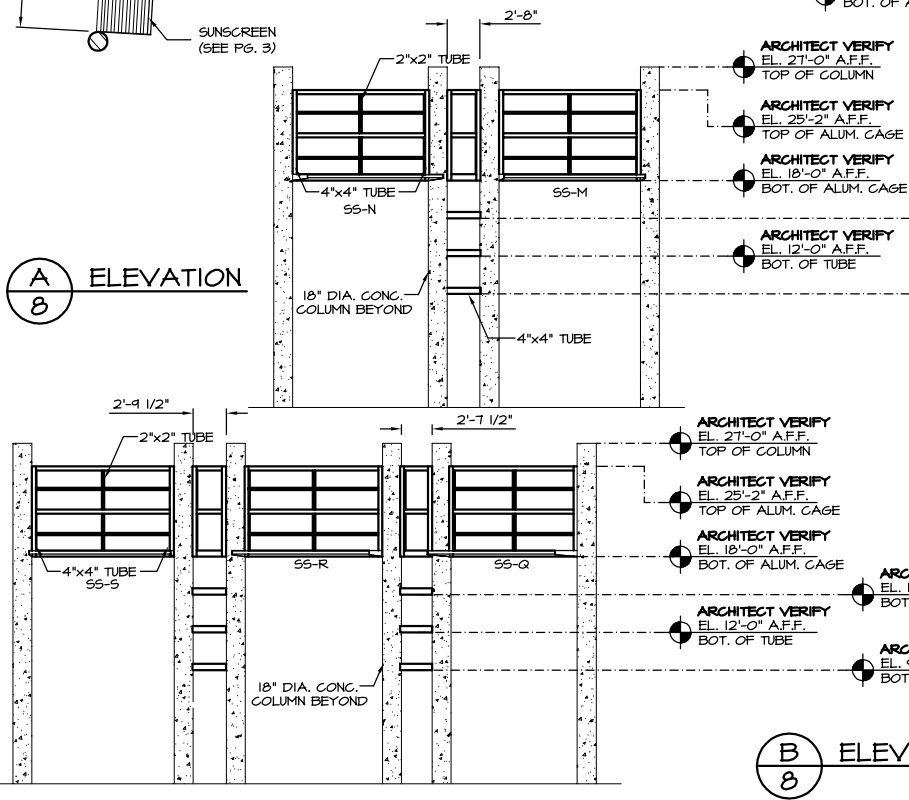
1477 ROSEDALE DRIVE
HIRAM, GA 30141
PHONE (770) 494-2100
FAX (770) 494-2122

JOB NAME: PALM BEACH COMMUNITY COLLEGE
LOCATION: LAKE WORTH, FL
ARCHITECT: CENTEX ROONEY CONSTRUCTION COMPANY
CONTRACTOR: SCHWAB, TWITTY & HANSER ARCHITECTURE

REVISIONS	
11/27/02 AM	
12/12/02 AM	
DRAWN: LISA	
SCALE: AS SHOWN	
DATE: 5/30/02	
JOB #	
2814	
SHT 7 OF 15	



ALUM. CAGE
 BESIDE SUNSCREENS M, N, Q, R & S
 QTY 5: 18'-0" A.F.F.



FINISH SCHEDULE		
DESCRIPTION	FINISH	COLOR
6"x4" TUBE	ANODIZED	CLEAR, CLASS I (A41)
4"x4" TUBE	ANODIZED	CLEAR, CLASS I (A41)
2"x2" TUBE	ANODIZED	CLEAR, CLASS I (A41)
6"x4"x1/4" ANGLE PLATE	ANODIZED	CLEAR, CLASS I (A41)

peachtree
protective
covers

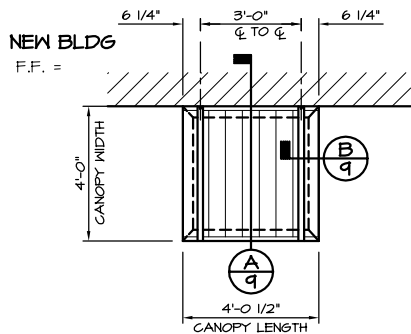
JOB NAME: PALM BEACH COMMUNITY COLLEGE
 LOCATION: LAKE WORTH, FL
 ARCHITECT: CENTEX ROONEY CONSTRUCTION COMPANY
 CONTRACTOR: SCHWAB, TWITTY & HANSER ARCHITECTURE

1477 ROSEDALE DRIVE
 HIRAM, GA 30141
 PHONE (770) 434-2120
 FAX (770) 434-2122

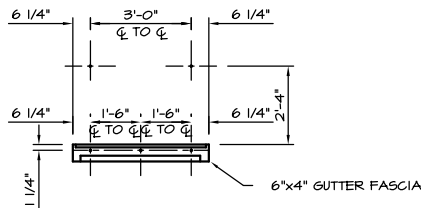
REVISIONS	
12/12/02 AM	

DRAWN: LISA
 SCALE: AS SHOWN
 DATE: 5/30/02

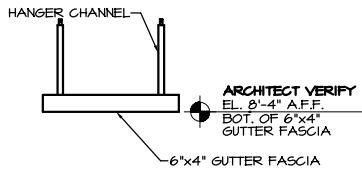
JOB # 2814
 SHT 8 OF 15



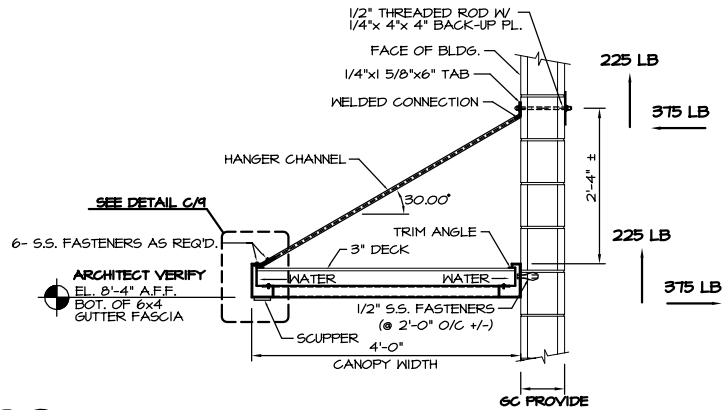
CANOPY PLAN VIEW
HANGER CANOPY A, B, C, D



BOLT SETTING ELEVATION
HANGER CANOPY A, B, C, D

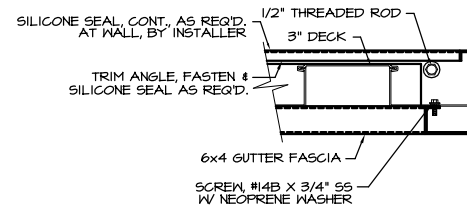


ELEVATION
HANGER CANOPY A, B, C, D

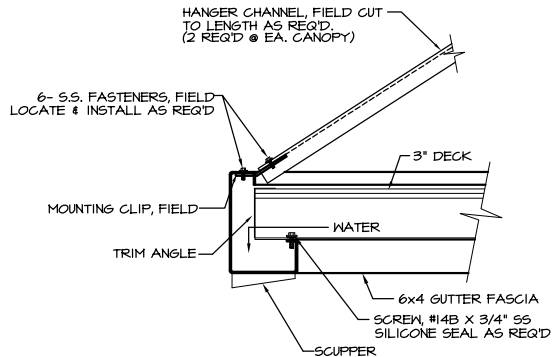


SECTION A

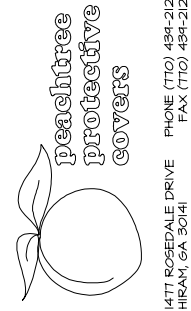
INSTALLER NOTE:
COORDINATE CANOPY LOCATION
AND INSTALLATION WITH OWNER.



SECTION B



DETAIL C



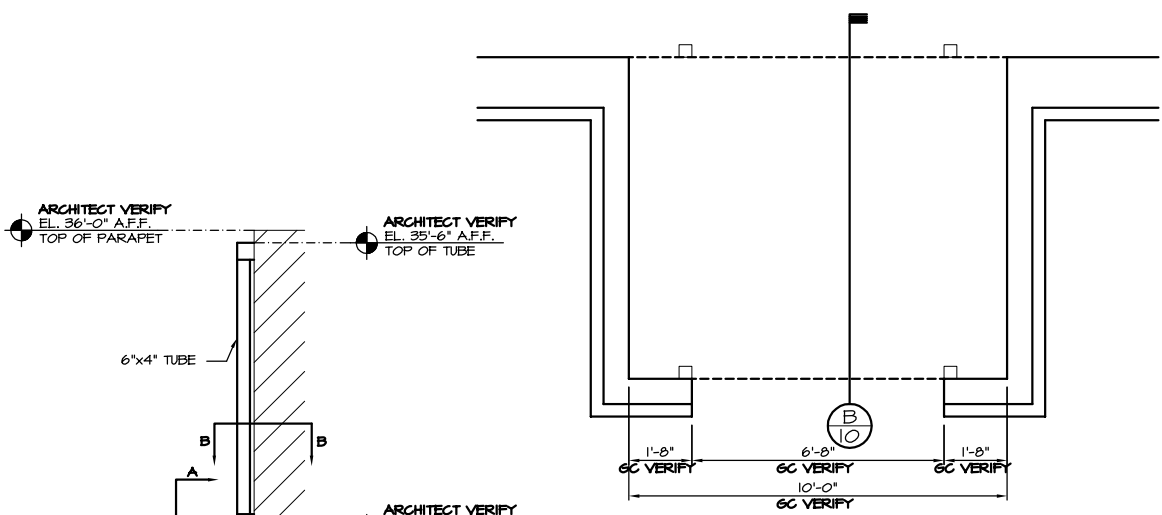
1477 ROSEDALE DRIVE
HIRAM, GA 30141
PHONE (770) 434-2100
FAX (770) 434-2122

JOB NAME: PALM BEACH COMMUNITY COLLEGE
LOCATION: LAKE WORTH, FL
ARCHITECT: CENTEX ROONEY CONSTRUCTION COMPANY
CONTRACTOR: SCHWAB, TWITTY & HANSER ARCHITECTURE

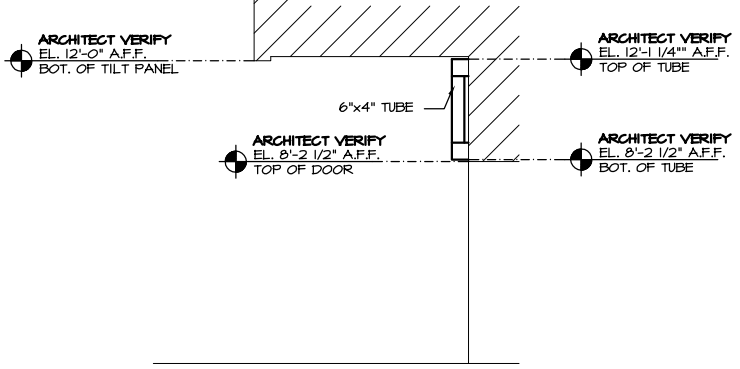
REVISIONS	
11/27/02 AM	
12/12/02 AM	
DRAWN: LISA	
SCALE: AS SHOWN	

DATE: 5/30/02
JOB # 2814
SHT 9 OF 15

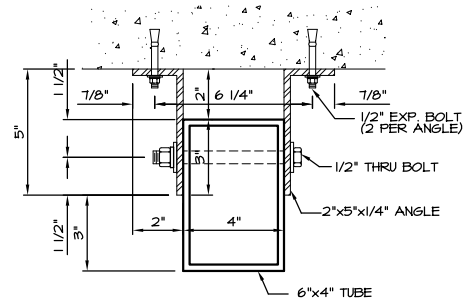
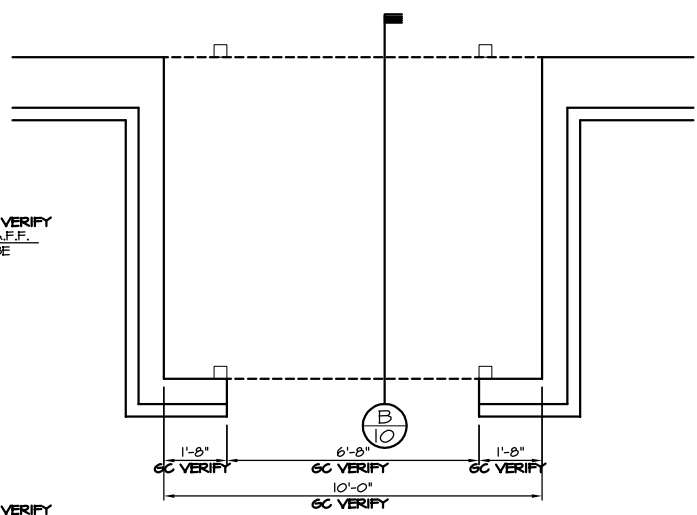
FINISH SCHEDULE		
DESCRIPTION	FINISH	COLOR
3" DECK	ANODIZED	CLEAR, CLASS II (A31)
6"x4" GUTTER FASCIA	ANODIZED	CLEAR, CLASS II (A31)
HANGER CHANNEL	ANODIZED	CLEAR, CLASS II (A31)



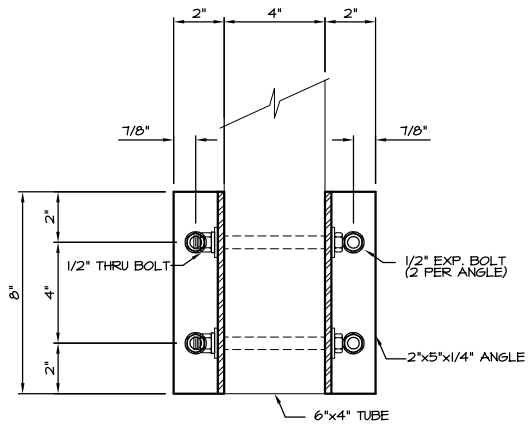
A
10 SECTION



B
10 SECTION



B
B DETAIL



A
A DETAIL

FINISH SCHEDULE		
DESCRIPTION	FINISH	COLOR
6"x4" TUBE	ANODIZED	CLEAR, CLASS 1 (A41)
2"x5"x1/4" ANGLE	ANODIZED	CLEAR, CLASS 1 (A41)



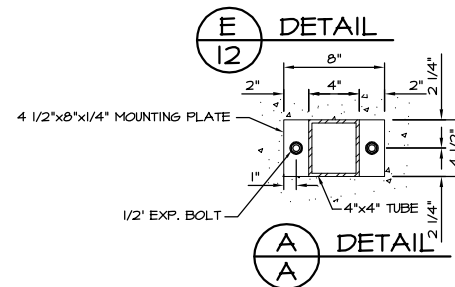
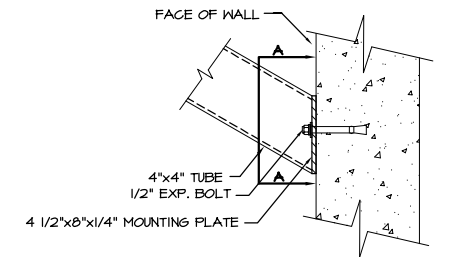
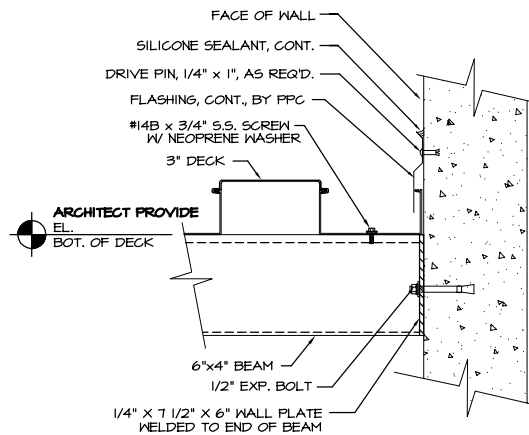
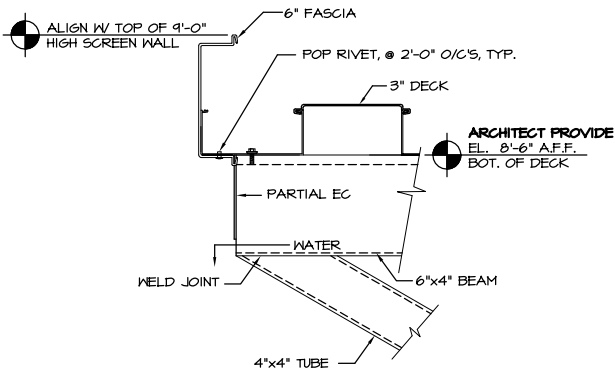
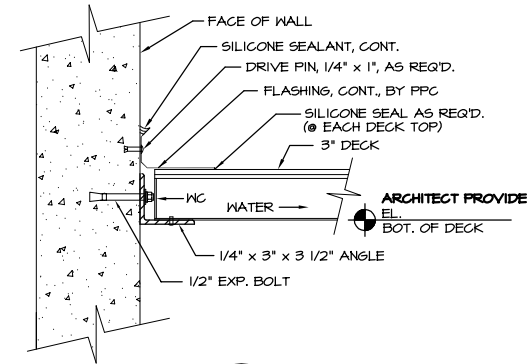
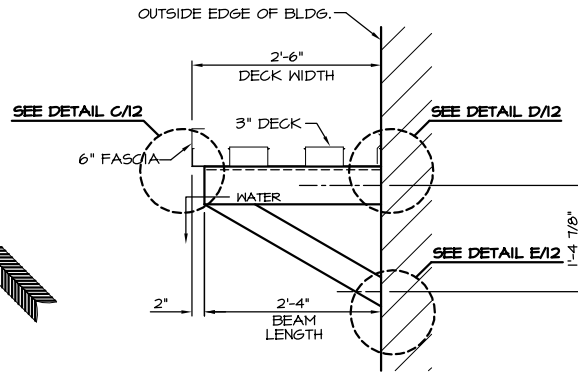
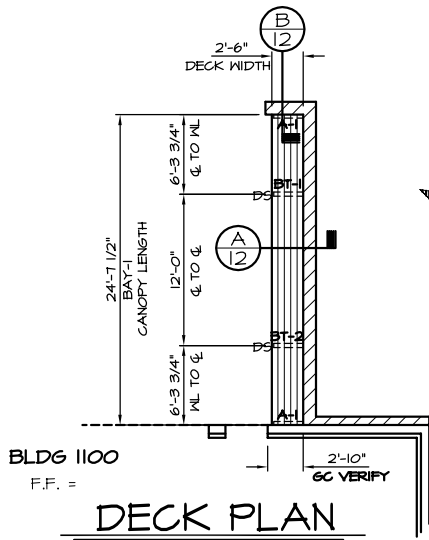
PHONE (770) 494-2120
FAX (770) 494-2122
1477 ROSEDALE DRIVE
HIRAM, GA 30141

JOB NAME: PALM BEACH COMMUNITY COLLEGE
LOCATION: LAKE WORTH, FL
ARCHITECT: CENTEX ROONEY CONSTRUCTION COMPANY
CONTRACTOR: SCHWAB, TWITTY & HANSER ARCHITECTURE

REVISIONS	
12/12/02 AM	

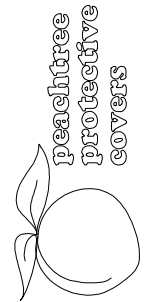
DRAWN: LISA
SCALE: AS SHOWN
DATE: 5/30/02

JOB #
2814
SHT **10** OF **15**



FINISH SCHEDULE

DESCRIPTION	FINISH	COLOR
3" DECK	ANODIZED	CLEAR, CLASS II (A31)
6" FASCIA	ANODIZED	CLEAR, CLASS II (A31)
4"x4" TUBE	ANODIZED	CLEAR, CLASS II (A31)
6"x4" BEAM	ANODIZED	CLEAR, CLASS II (A31)



1477 ROSEDALE DRIVE
HIRAM, GA 30141
PHONE (770) 434-2120
FAX (770) 434-2122

JOB NAME: PALM BEACH COMMUNITY COLLEGE

LOCATION: LAKE WORTH, FL

ARCHITECT: CENTEX ROONEY CONSTRUCTION COMPANY

CONTRACTOR: SCHWAB, TWITTY & HANSER ARCHITECTURE

REVISIONS

12/12/02 AM	
2/13/03 AM	
DRAWN: LISA	
SCALE: AS SHOWN	
DATE: 5/30/02	

JOB #

2814

SHT 12 OF 15

BLDG1200
F.F. =

BLDG 1300
F.F. =

BLDG1200
F.F. =

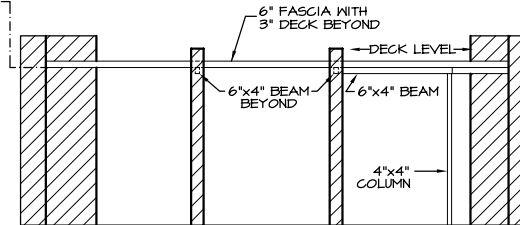
BLDG 1300
F.F. =

COLUMN SETTING PLAN

DECK PLAN

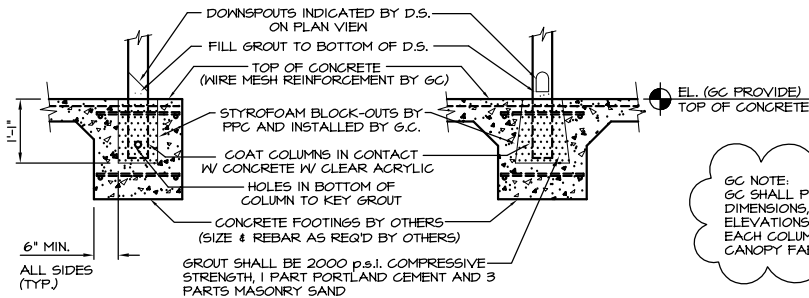
8"x8" BLOCKOUT (STYROFOAM)
SUPPLIED BY PPC AND INSTALLED
BY GC. USE COLUMN SETTING PLAN
PROVIDED BY PPC FOR LAYOUT.
SEE DETAIL A/13 FOR FOOTING DETAIL.

ARCHITECT VERIFY
EL. 10'-0" A.F.F.
BOT. OF DECK



B
13 ELEVATION

NOTE:
SOME BACKGROUND DETAILS
OMITTED FOR CLARITY.



A
13 FOOTING DETAIL

GC NOTE:
GC SHALL PROVIDE FIELD VERIFIED
DIMENSIONS, BUILDING LOCATIONS, AND
ELEVATIONS OF FINISHED SIDEWALK AT
EACH COLUMN LOCATION PRIOR TO
CANOPY FABRICATION.

GC. TO PROVIDE
ELEVATIONS FOR TOP OF FOOTING
AT EACH COLUMN LOCATION.

FINISH SCHEDULE

DESCRIPTION	FINISH	COLOR
6"x4" BEAM	ANODIZED	CLEAR, CLASS II (A31)
4"x4" COLUMN	ANODIZED	CLEAR, CLASS II (A31)
3" DECK	ANODIZED	CLEAR, CLASS II (A31)
6" FASCIA	ANODIZED	CLEAR, CLASS II (A31)

JOB NAME: PALM BEACH COMMUNITY COLLEGE
LOCATION: LAKE WORTH, FL

ARCHITECT: CENTEX ROONEY CONSTRUCTION COMPANY
CONTRACTOR: SCHWAB, TWITTY & HANSER ARCHITECTURE

REVISIONS

10/29/02 AM
11/21/02 AM

DRAWN: LISA

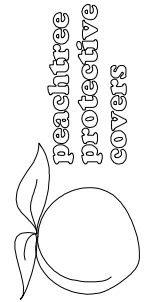
SCALE: AS SHOWN

DATE: 5/30/02

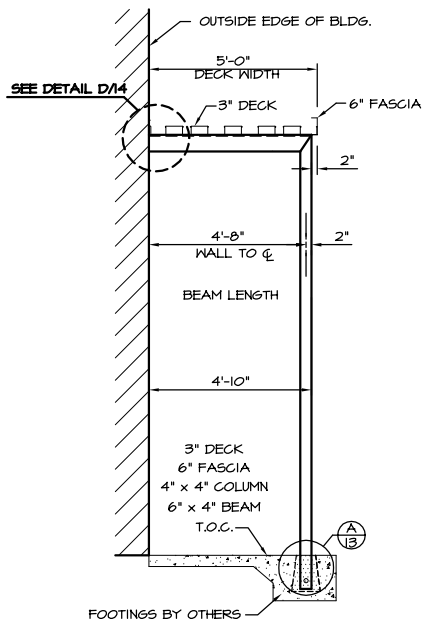
JOB #

2814

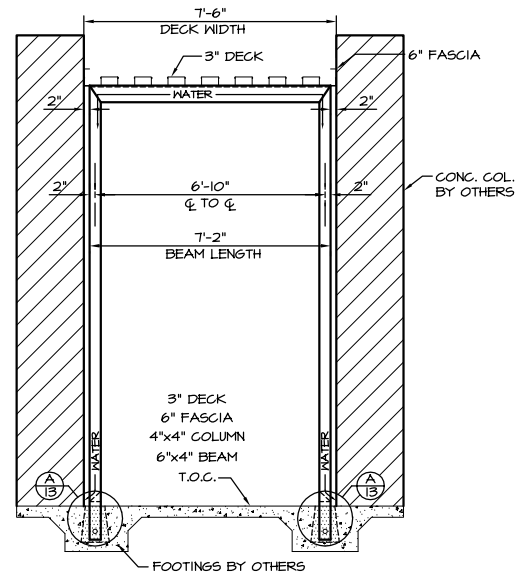
SHT 13 OF 15



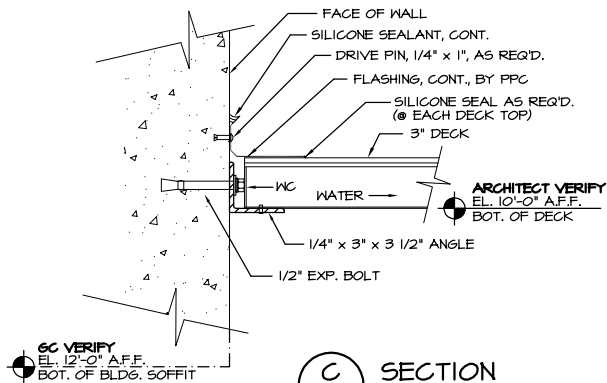
PHONE (770) 434-2120
FAX (770) 434-2122
1477 ROSEDALE DRIVE
HIRAM, GA 30141



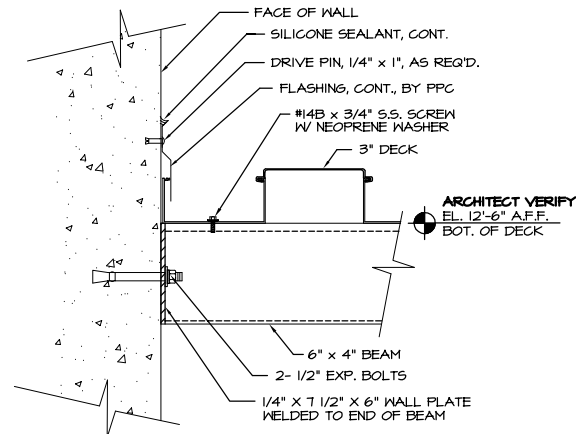
A SECTION
14



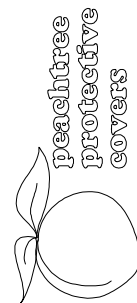
B SECTION
14



C SECTION
14



D DETAIL
14



1477 ROSEDALE DRIVE
HIRAM, GA 30141
PHONE (770) 434-2100
FAX (770) 434-2122

JOB NAME: PALM BEACH COMMUNITY COLLEGE

LOCATION: LAKE WORTH, FL

ARCHITECT: CENTEX ROONEY CONSTRUCTION COMPANY

CONTRACTOR: SCHWAB, TWITTY & HANSER ARCHITECTURE

REVISIONS

DRAWN: LISA

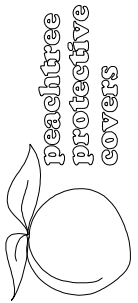
SCALE: AS SHOWN

DATE: 5/30/02

JOB #

2814

SHT 14 OF 15



PEACHTREE PROTECTIVE COVERS
 1477 ROSEDALE DRIVE
 HIRAM, GA 30141
 PHONE (770) 434-2120
 FAX (770) 434-2122

JOB NAME: PALM BEACH COMMUNITY COLLEGE

LOCATION: LAKE WORTH, FL

ARCHITECT: CENTEX ROONEY CONSTRUCTION COMPANY

CONTRACTOR: SCHWAB, TWITTY & HANSER ARCHITECTURE

REVISIONS

DRAWN: LISA
 SCALE: AS SHOWN
 DATE: 5/30/02
 JOB #
 2814
 SHT 15 OF 15

