

peachtree  
protective  
covers

JOB # 3806

PARKING COVER

PHYSICIANS FOR A BETTER  
JACKSONVILLE

JACKSONVILLE, FL.

BY

PBV ARCHITECTURE

APRIL 21, 2006

NOTE:  
PEACHTREE PROTECTIVE COVERS RESERVES  
THE RIGHT TO INSTALL MECHANICAL JOINTS  
IN COLUMNS THAT EXCEED SHIPPING LIMITATIONS.

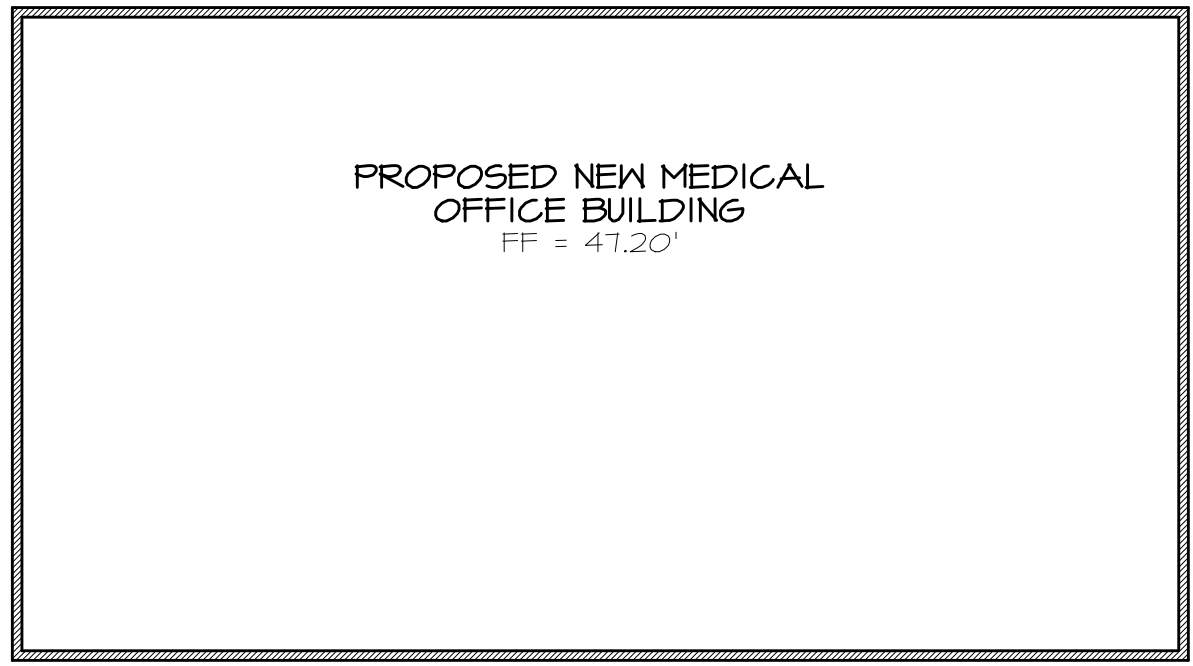
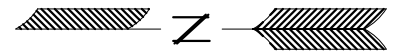
1477 ROSEDALE DRIVE  
HIRAM, GA 30141  
(770) 439-2120  
fax (770) 439-2122



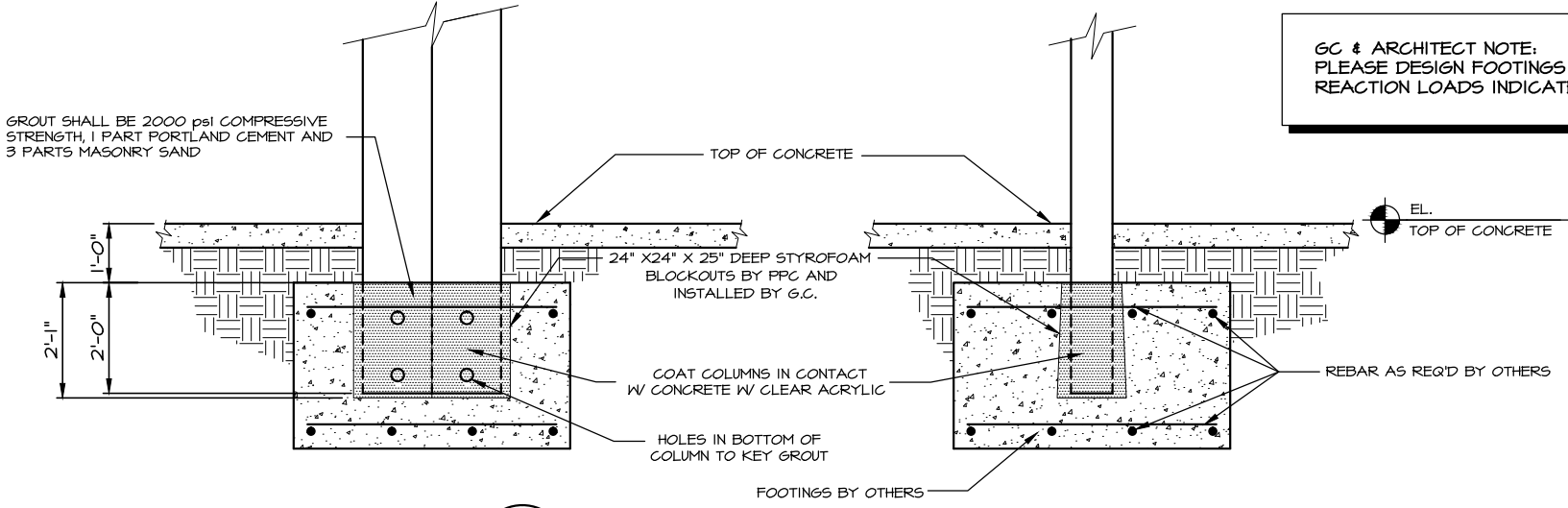
CANOPY "A"



CANOPY "B"



PROPOSED NEW MEDICAL OFFICE BUILDING  
FF = 47.20'



GROUT SHALL BE 2000 psi COMPRESSIVE STRENGTH, 1 PART PORTLAND CEMENT AND 3 PARTS MASONRY SAND

GC & ARCHITECT NOTE:  
PLEASE DESIGN FOOTINGS TO RESIST REACTION LOADS INDICATED ON A/5.

KEY PLAN  
N.T.S.

(A)  
I FOOTING DETAIL

CANOPIES DESIGNED IN COMPLIANCE WITH THE FLORIDA BUILDING CODE 2004 AND ASCE 7-98. DESIGN LOADS USED ARE SHOWN BELOW:  
> DEAD LOAD = 3 PSF  
> LIVE LOAD = 20 PSF  
> BASIC WIND SPEED = 120 MPH  
> IMPORTANCE FACTOR = 1.15  
> BUILDING CATEGORY: III  
> EXPOSURE CATEGORY "C"  
> ENCLOSURE CLASSIFICATION: OPEN  
> INTERNAL PRESSURE COEFFICIENT: 0.00  
> VELOCITY PRESSURE = 30.63 PSF

FINISH SCHEDULE		
DESCRIPTION	FINISH	COLOR
6" DECK	2-COAT KYNAR	POLAR WHITE
6" FASCIA	2-COAT KYNAR	POLAR WHITE
10"x6" COLUMN	2-COAT KYNAR	POLAR WHITE
10"x6" BEAM	2-COAT KYNAR	POLAR WHITE
6"x6" TUBE	2-COAT KYNAR	POLAR WHITE



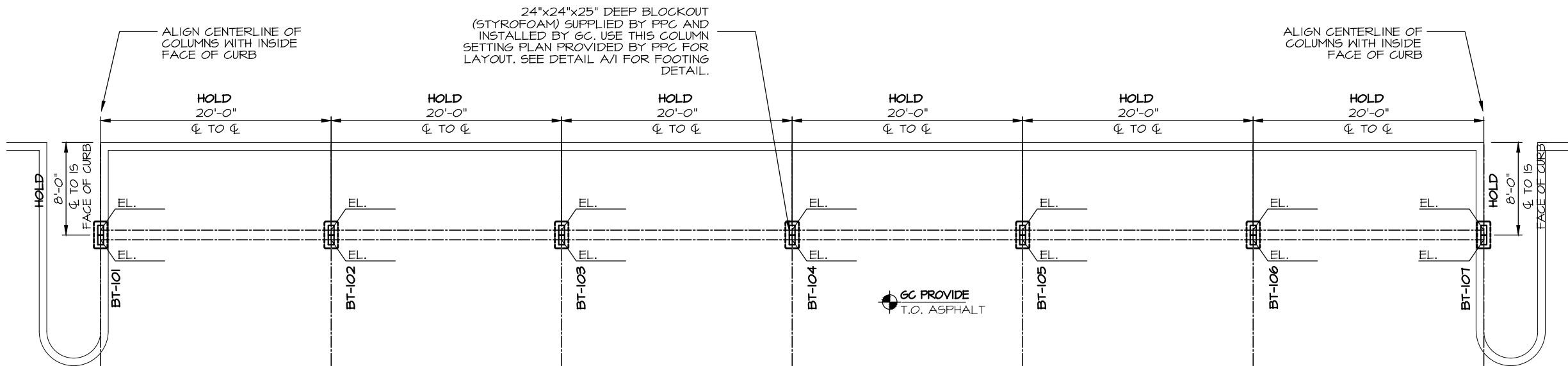
1477 ROSEDALE DRIVE PHONE (TTO) 434-2120  
HIRAM, GA 30141 FAX (TTO) 434-2122

JOB NAME: PHYSICIANS FOR A BETTER JACKSONVILLE  
LOCATION: JACKSONVILLE, FL.  
ARCHITECT: PBV ARCHITECTURE  
CONTRACTOR: DANA B. KENTON COMPANY

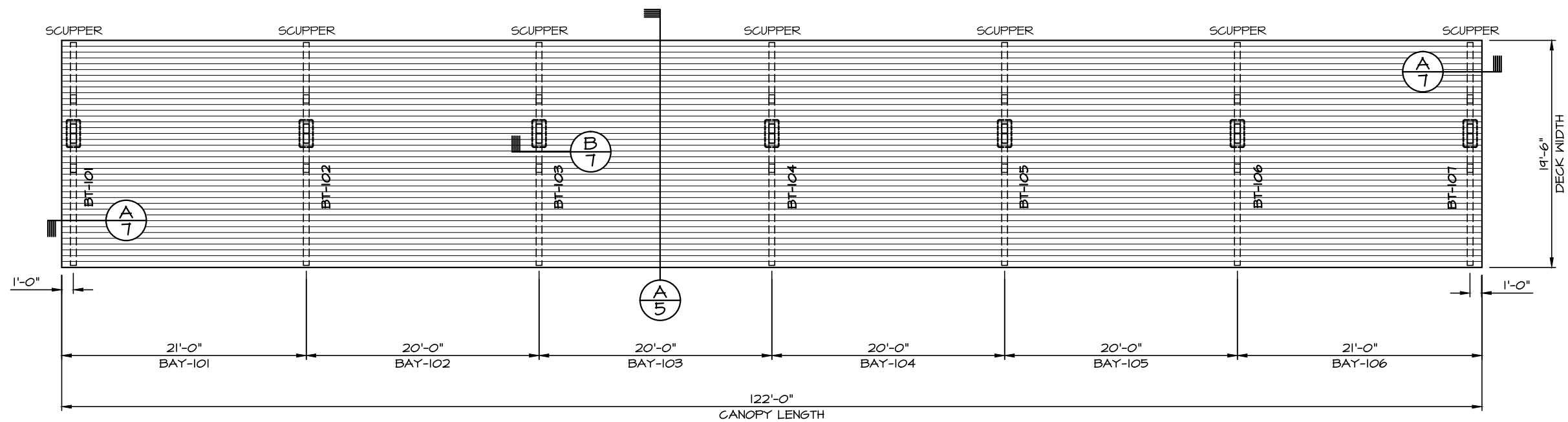
REVISIONS  
4/21/06 RAP  
DRAWN: JLJ

SCALE: AS SHOWN

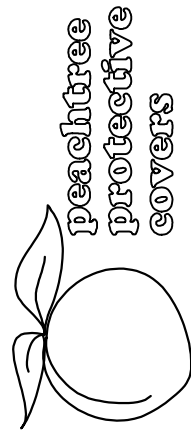
DATE: 01/12/06  
JOB #  
**3806**  
SHT 1 OF 7



**COLUMN SETTING PLAN**  
SCALE: 3/32"=1'-0" CANOPY "A"



**DECK PLAN**  
SCALE: 3/32"=1'-0" CANOPY "A"



1477 ROSEDALE DRIVE PHONE (770) 494-2120  
HIRAM, GA 30141 FAX (770) 494-2122

JOB NAME: PHYSICIANS FOR A BETTER JACKSONVILLE

LOCATION: JACKSONVILLE, FL.

ARCHITECT: PBV ARCHITECTURE

CONTRACTOR: DANA B. KENTON COMPANY

REVISIONS

4/21/06	RAP

DRAWN: JLJ

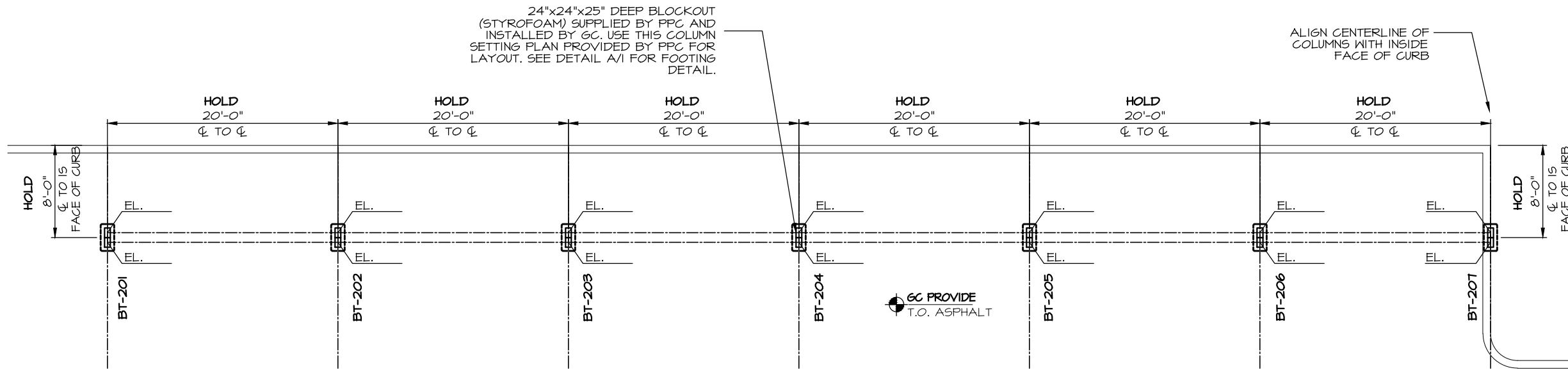
SCALE: AS SHOWN

DATE: 01/12/06

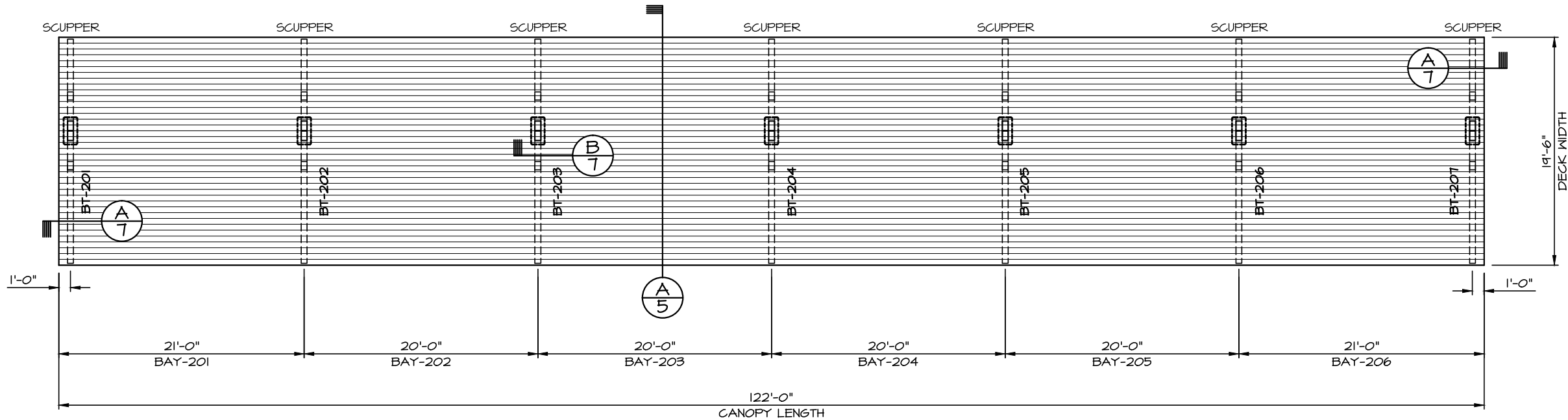
JOB #

3806

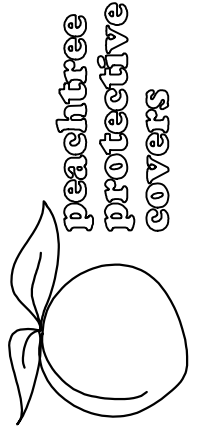
SHT 2 OF 7



**COLUMN SETTING PLAN**  
SCALE: 3/32"=1'-0" CANOPY "B"



**DECK PLAN**  
SCALE: 3/32"=1'-0" CANOPY "B"



1477 ROSEDALE DRIVE PHONE (TTO) 434-2120  
HIRAM, GA 30141 FAX (TTO) 434-2122

JOB NAME: PHYSICIANS FOR A BETTER JACKSONVILLE  
LOCATION: JACKSONVILLE, FL.  
ARCHITECT: PBV ARCHITECTURE  
CONTRACTOR: DANA B. KENTON COMPANY

**REVISIONS**

4/21/06	RAP	

DRAWN: JLJ

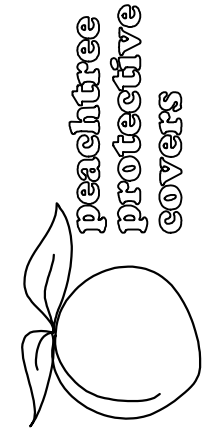
SCALE: AS SHOWN

DATE: 01/12/06

JOB #

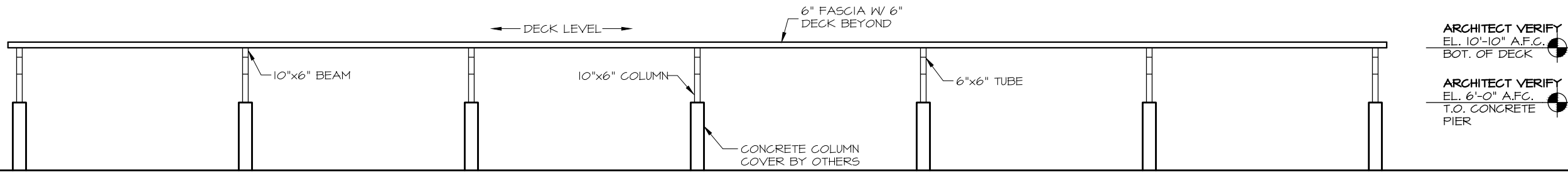
**3806**

SHT 3 OF 7



peachtree  
protective  
covers

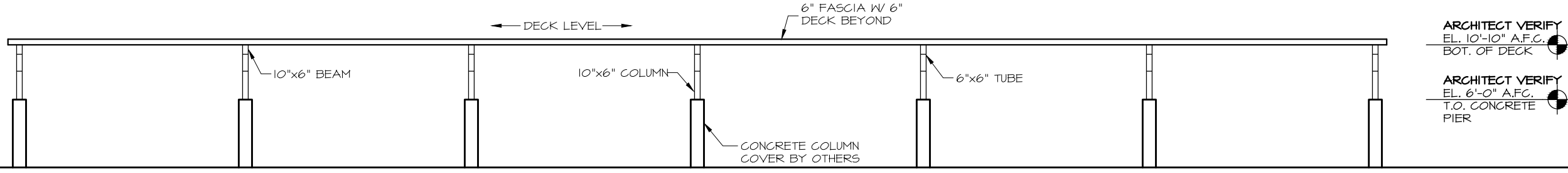
1477 ROSEDALE DRIVE PHONE (770) 494-2120  
HIRAM, GA 30141 FAX (770) 494-2122



ARCHITECT VERIFY  
EL. 10'-10" A.F.C.  
BOT. OF DECK

ARCHITECT VERIFY  
EL. 6'-0" A.F.C.  
T.O. CONCRETE  
PIER

**A**  
4 ELEVATION  
CANOPY "A"



ARCHITECT VERIFY  
EL. 10'-10" A.F.C.  
BOT. OF DECK

ARCHITECT VERIFY  
EL. 6'-0" A.F.C.  
T.O. CONCRETE  
PIER

**B**  
4 ELEVATION  
CANOPY "B"

JOB NAME: PHYSICIANS FOR A BETTER JACKSONVILLE  
LOCATION: JACKSONVILLE, FL.  
ARCHITECT: PBV ARCHITECTURE  
CONTRACTOR: DANA B. KENTON COMPANY

REVISIONS

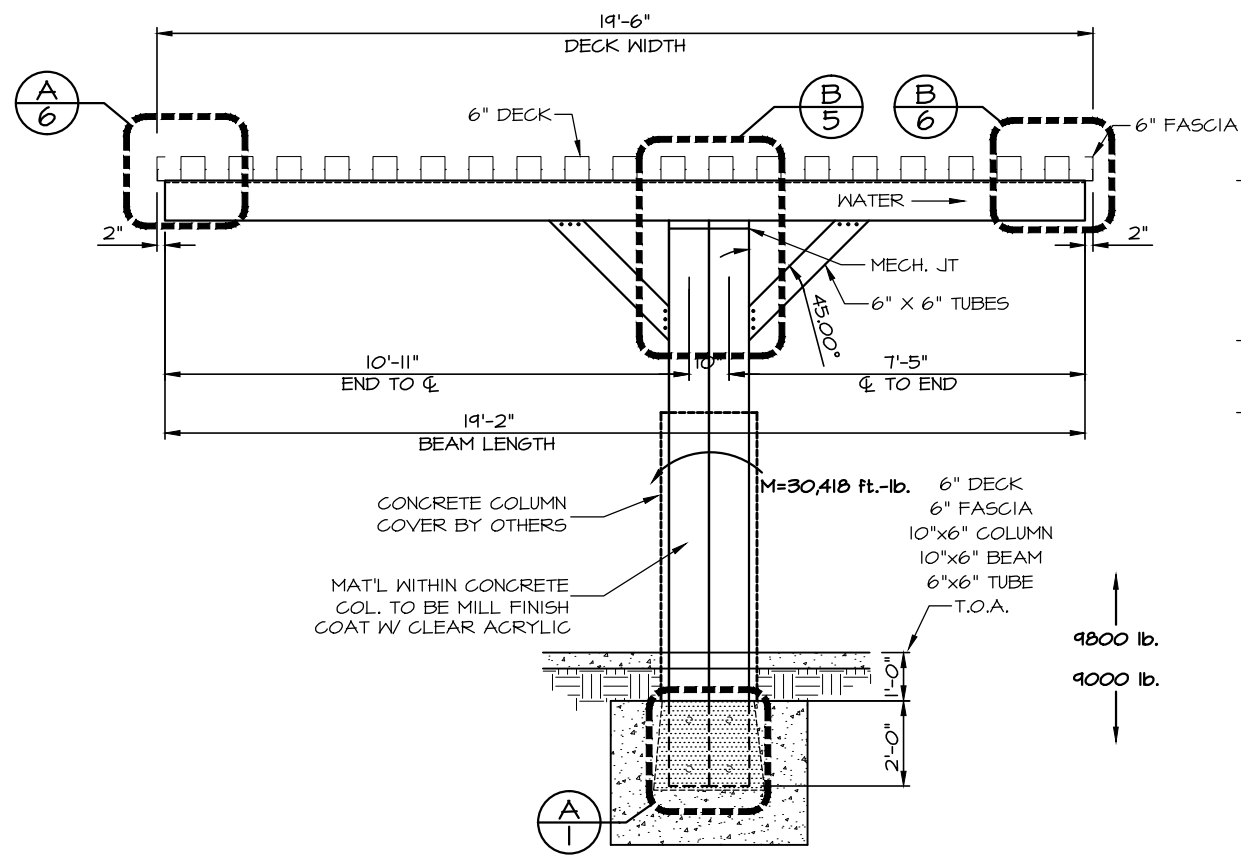
4/21/06	RAP	

DRAWN: JLJ

SCALE: AS SHOWN

DATE: 01/12/06

JOB #  
**3806**  
SHT 4 OF 7

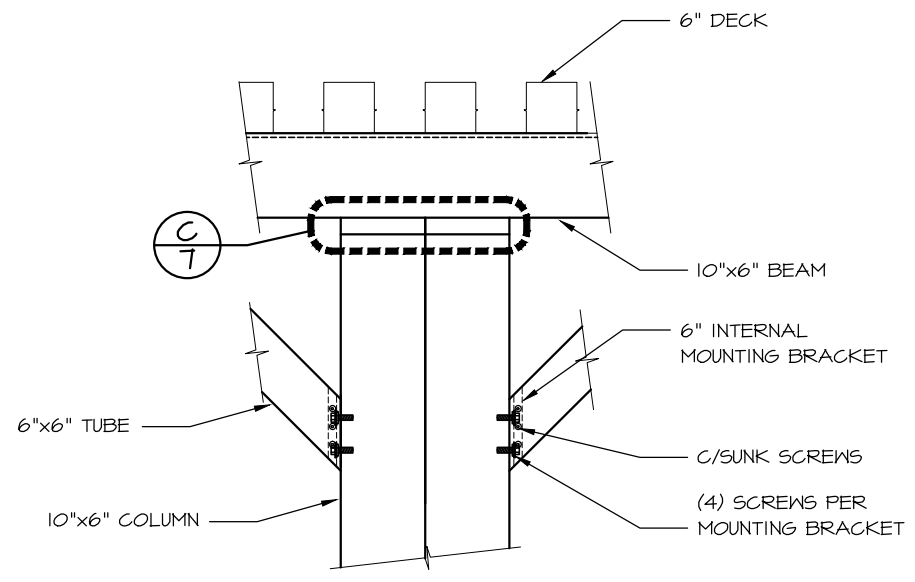


ARCHITECT VERIFY  
EL. 10'-10" A.F.C.  
BOT. OF DECK

ARCHITECT VERIFY  
EL. 8'-6" A.F.C.  
MIN. CLEARANCE

ARCHITECT VERIFY  
EL. 6'-0" A.F.C.  
TOP OF CON. COL.

A  
5 SECTION



B  
5 DETAIL

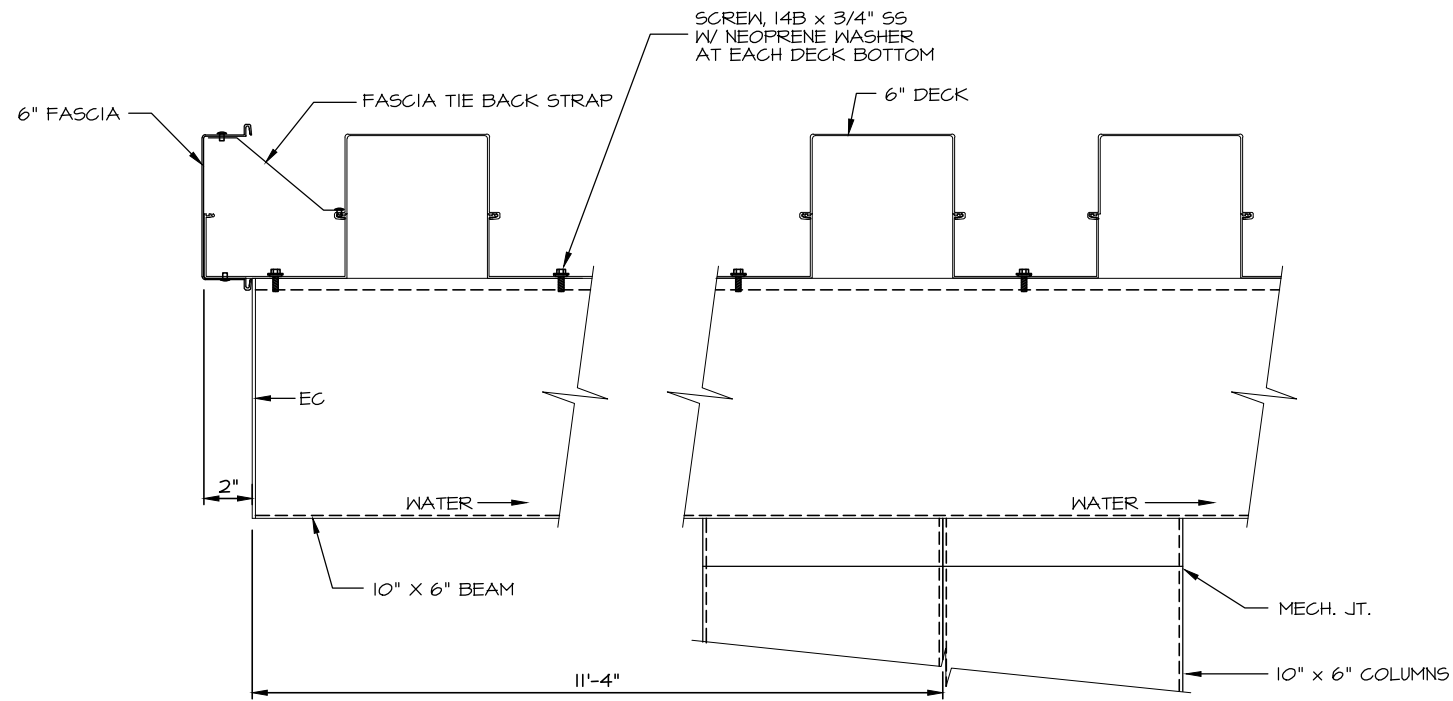
Drawing: 3806-SBFF.dwg  
Saved: 4/21/06



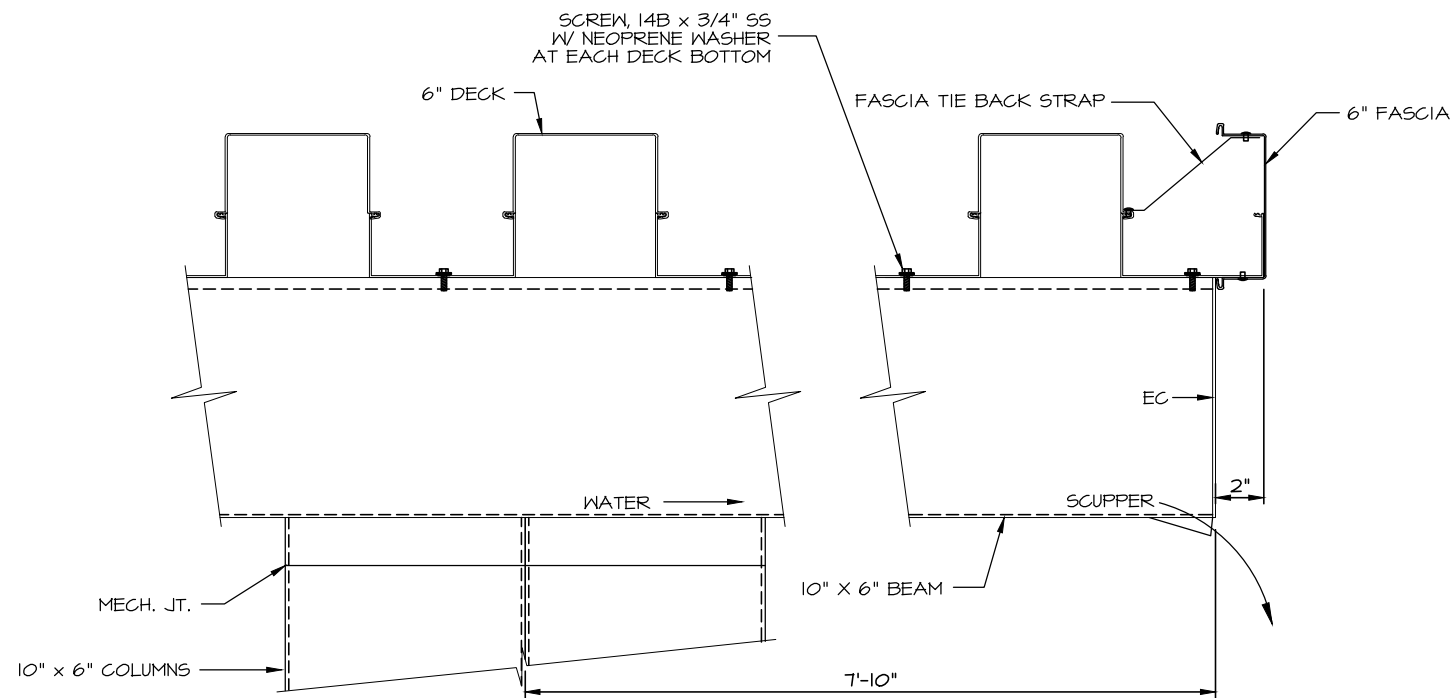
1477 ROSEDALE DRIVE PHONE (770) 434-2120  
HIRAM, GA 30141 FAX (770) 434-2122

JOB NAME: PHYSICIANS FOR A BETTER JACKSONVILLE  
LOCATION: JACKSONVILLE, FL.  
ARCHITECT: PBV ARCHITECTURE  
CONTRACTOR: DANA B. KENTON COMPANY

REVISIONS	
4/21/06 RAP	
DRAWN: JLJ	
SCALE: AS SHOWN	
DATE: 01/12/06	
JOB #	
3806	
SHT 5 OF 7	

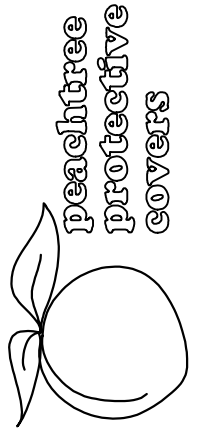


**A**  
6  
DETAIL



**B**  
6  
DETAIL

Drawing: 3806-SBFF.dwg  
 Saved: 4/21/06



1477 ROSEDALE DRIVE PHONE (770) 434-2120  
 HIRAM, GA 30141 FAX (770) 434-2122

JOB NAME: PHYSICIANS FOR A BETTER JACKSONVILLE

LOCATION: JACKSONVILLE, FL.

ARCHITECT: PBV ARCHITECTURE

CONTRACTOR: DANA B. KENTON COMPANY

REVISIONS

DRAWN: JLJ

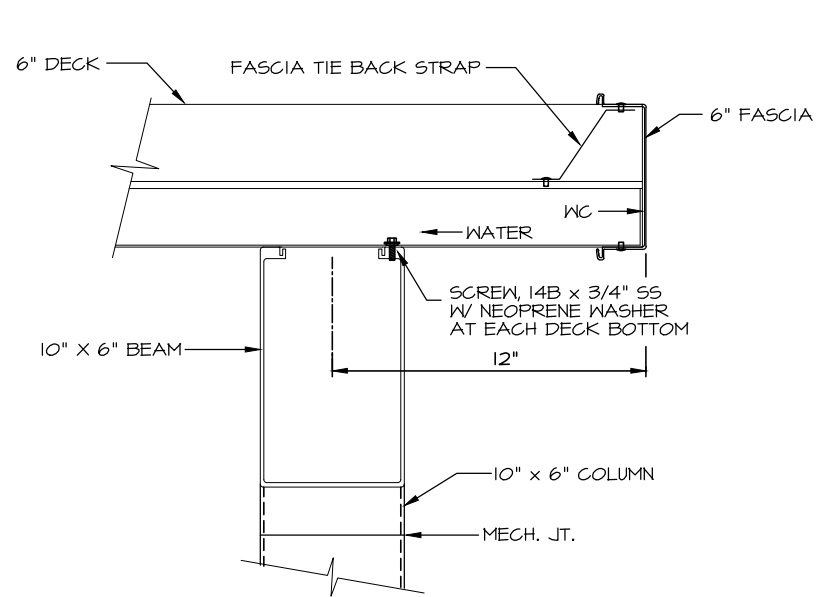
SCALE: AS SHOWN

DATE: 01/12/06

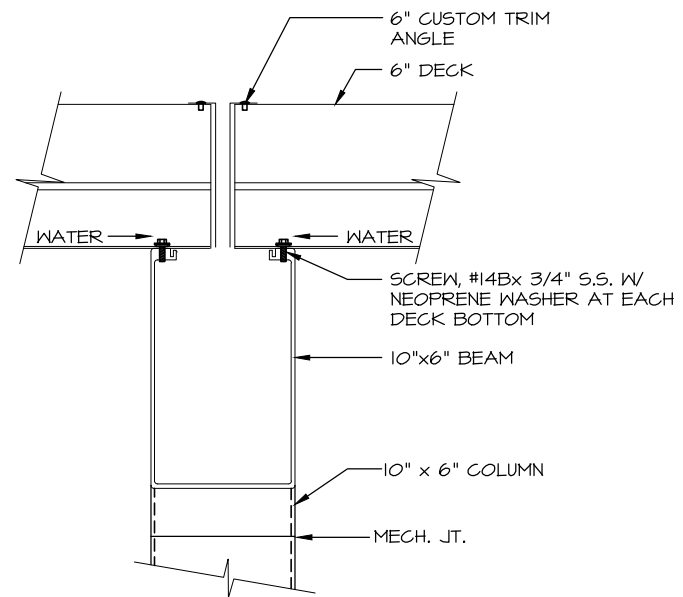
JOB #

**3806**

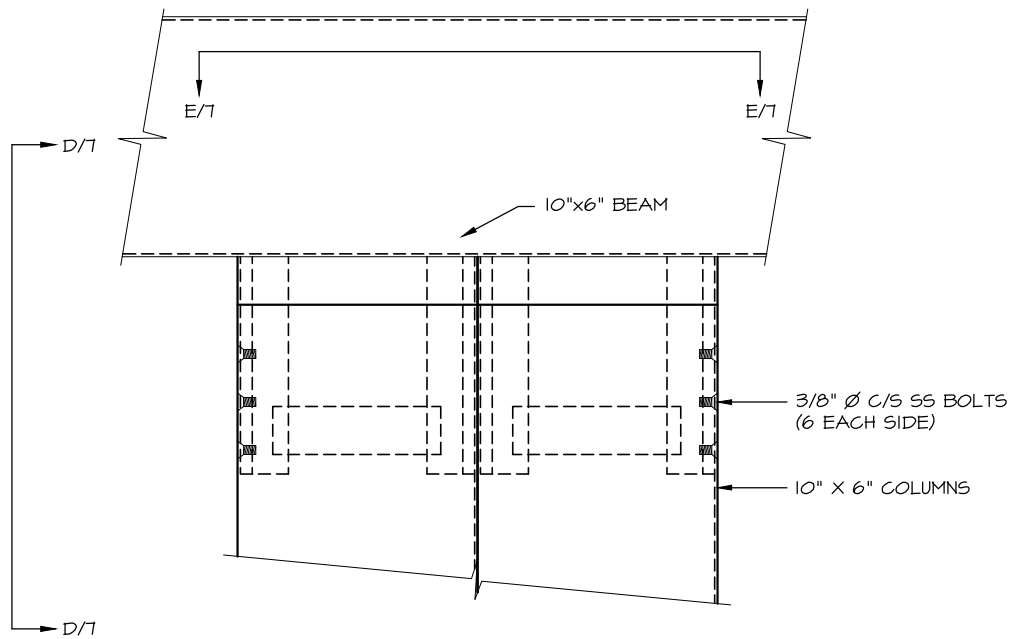
SHT 6 OF 7



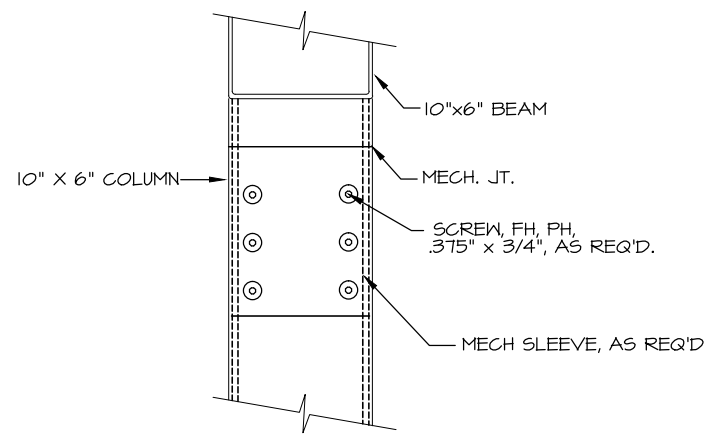
**A**  
7 SECTION



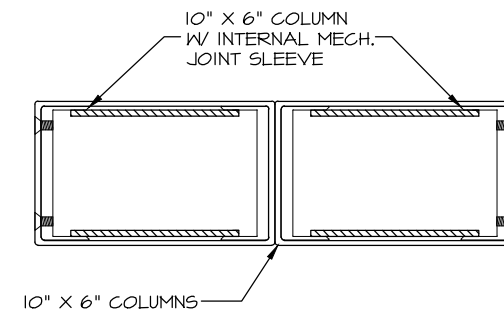
**B**  
7 SECTION



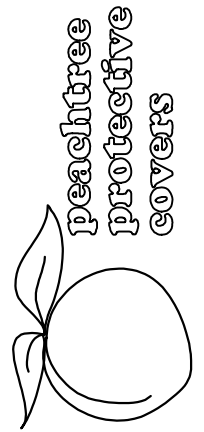
**C**  
7 DETAIL



**D**  
7 DETAIL



**E**  
7 DETAIL



1477 ROSEDALE DRIVE PHONE (770) 494-2120  
HIRAM, GA 30141 FAX (770) 434-2122

JOB NAME: PHYSICIANS FOR A BETTER JACKSONVILLE

LOCATION: JACKSONVILLE, FL.

ARCHITECT: PBV ARCHITECTURE

CONTRACTOR: DANA B. KENTON COMPANY

REVISIONS


DRAWN: JLJ

SCALE: AS SHOWN

DATE: 01/12/06

JOB #

**3806**

SHT 7 OF 7