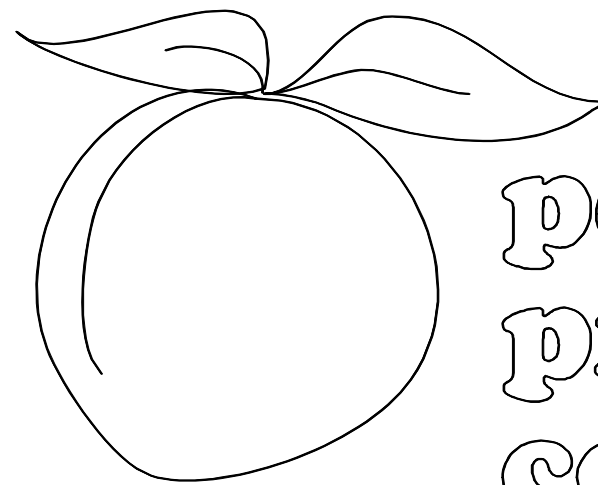


JOB # 3382



peachtree
protective
covers

QUANTICO CENTER
BUILDING I

QUANTICO, VA

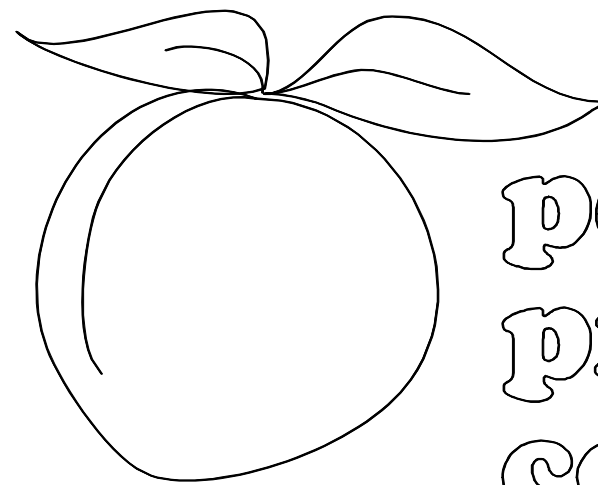
BY

MORGAN GICK & ASSOCIATES, PC

MARCH 18, 2005

1477 ROSEDALE DRIVE
HIRAM, GA 30141
(770) 439-2120
fax (770) 439-2122

JOB # 3382



peachtree
protective
covers

QUANTICO CENTER
BUILDING 1

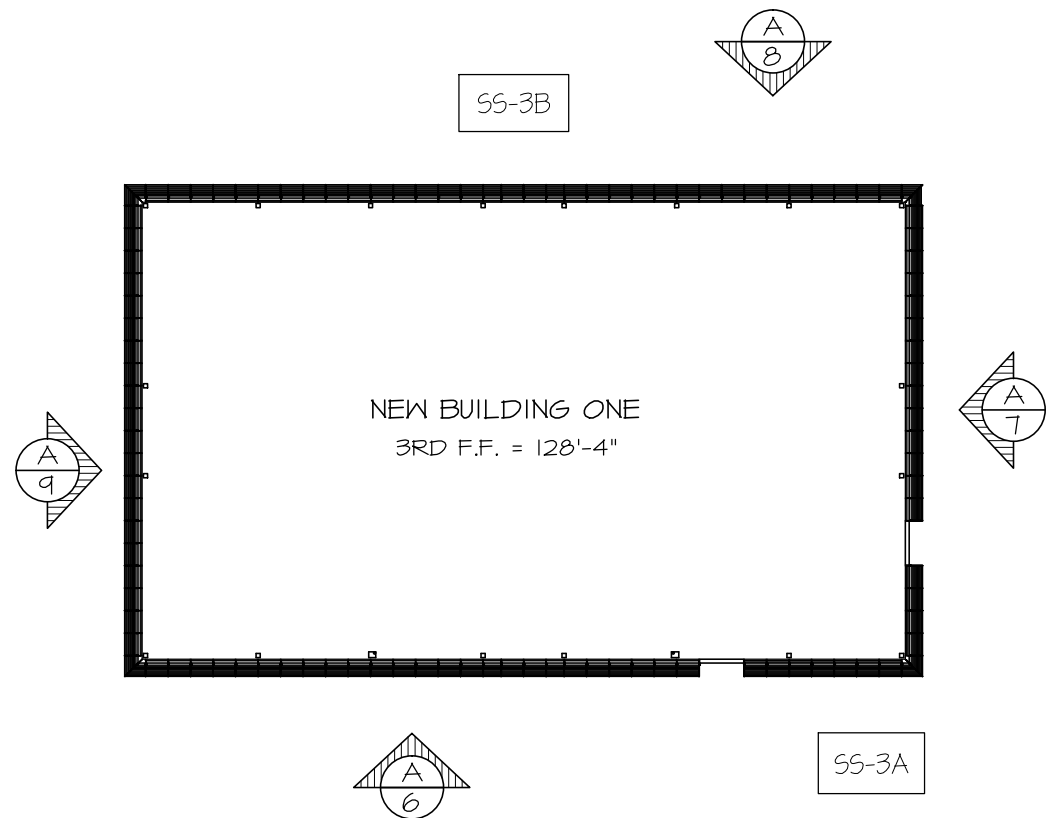
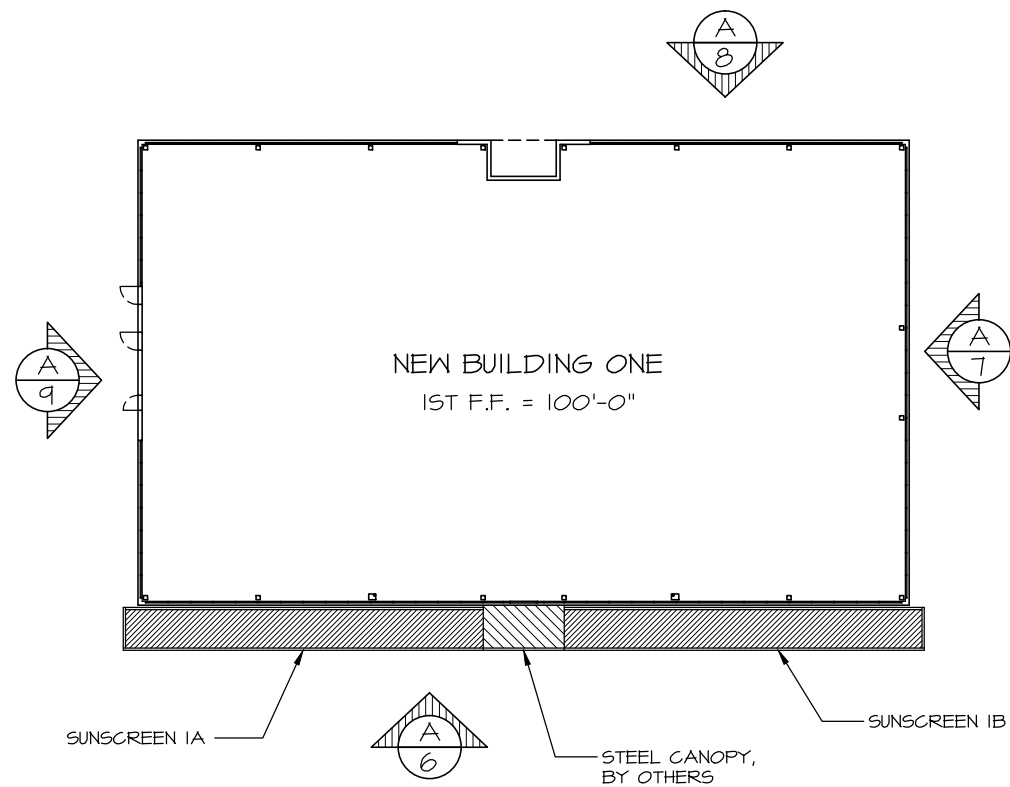
QUANTICO, VA

BY

MORGAN GICK & ASSOCIATES, PC

MAY 12, 2005

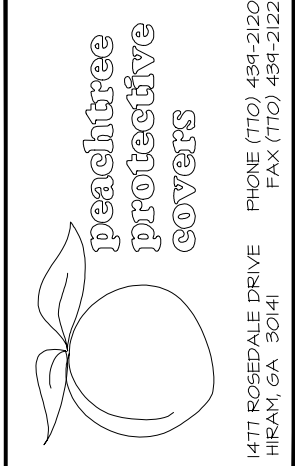
1477 ROSEDALE DRIVE
HIRAM, GA 30141
(770) 439-2120
fax (770) 439-2122



KEY PLANS

N.T.S.

FINISH SCHEDULE		
DESCRIPTION	FINISH	COLOR
3/16"x4" OUTRIGGER	ANODIZED	CLEAR, CLASS 2
1/4"x6" OUTRIGGER	ANODIZED	CLEAR, CLASS 2
4" ELLIPTICAL	ANODIZED	CLEAR, CLASS 2
6" ELLIPTICAL	ANODIZED	CLEAR, CLASS 2
3" DIA. TUBE FASCIA	ANODIZED	CLEAR, CLASS 2
10"x6" TUBE FASCIA	ANODIZED	CLEAR, CLASS 2



1477 ROSEDALE DRIVE
HIRAM, GA 30141
PHONE (770) 439-2120
FAX (770) 439-2122

JOB NAME: QUANTICO CENTER BUILDING I
LOCATION: QUANTICO, VA
ARCHITECT: MORGAN GICK & ASSOCIATES, PC
CONTRACTOR: JACK BAYS, INC.

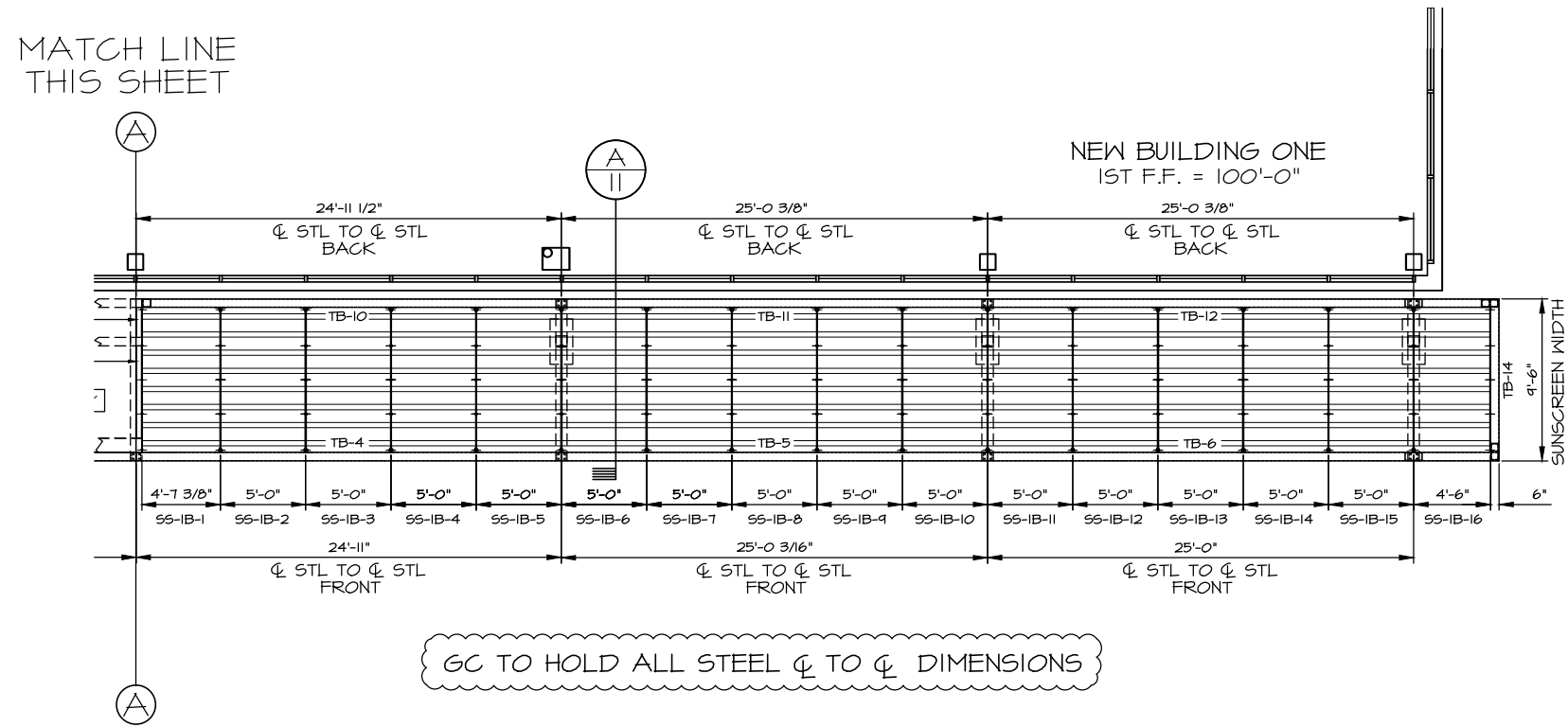
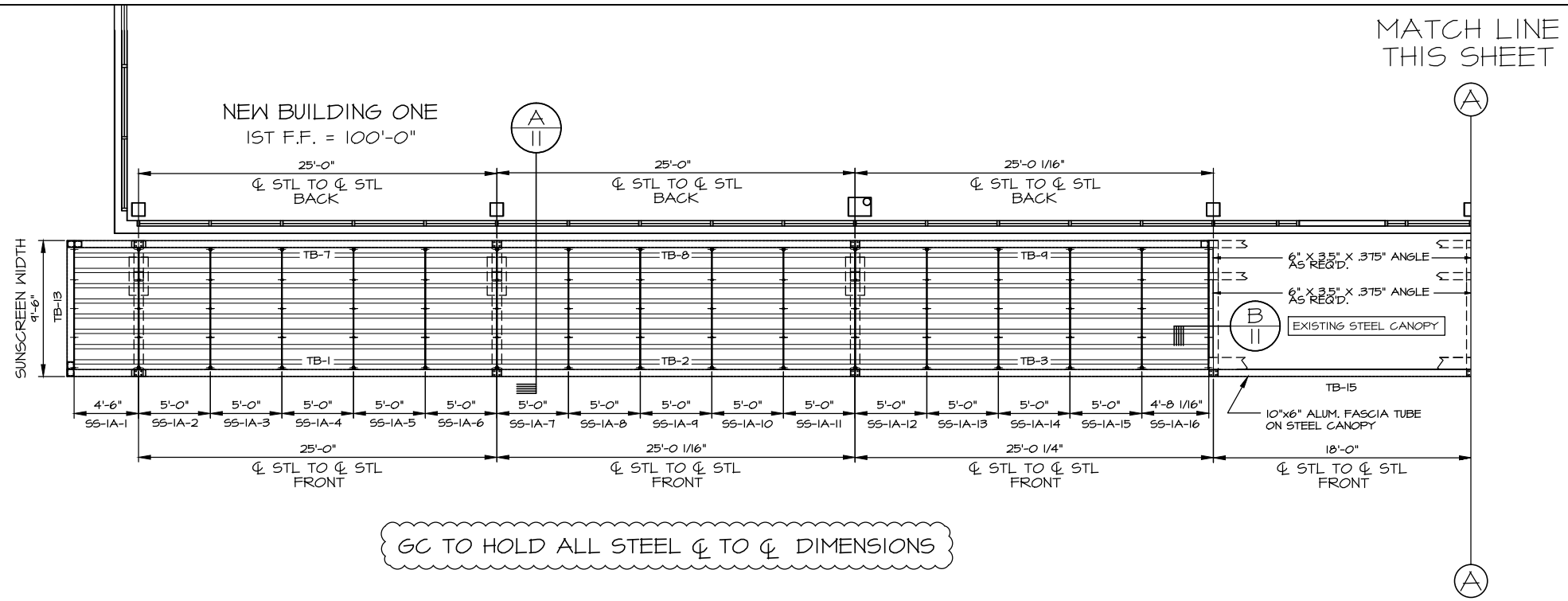
REVISIONS	
2/1/05 RLV	

DRAWN: LISA

SCALE: AS SHOWN

DATE: 9/21/04

JOB #
3382
SHT | OF ||



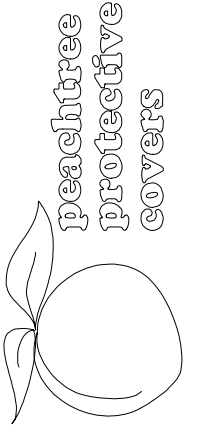
SUNSCREEN PLAN

SCALE: 3/32"=1'-0"

FIRST FLOOR

MATCH LINE
THIS SHEET

MATCH LINE
THIS SHEET



1477 ROSEDALE DRIVE HIRAM, GA 30141
PHONE (770) 434-2120 FAX (770) 434-2122

JOB NAME: QUANTICO CENTER BUILDING 1

LOCATION: QUANTICO, VA

ARCHITECT: MORGAN GICK & ASSOCIATES, PC

CONTRACTOR: JACK BAYS, INC.

REVISIONS

2/1/05 RLV	
2/3/05 RLV	
5/12/05 AM	

DRAWN: LISA

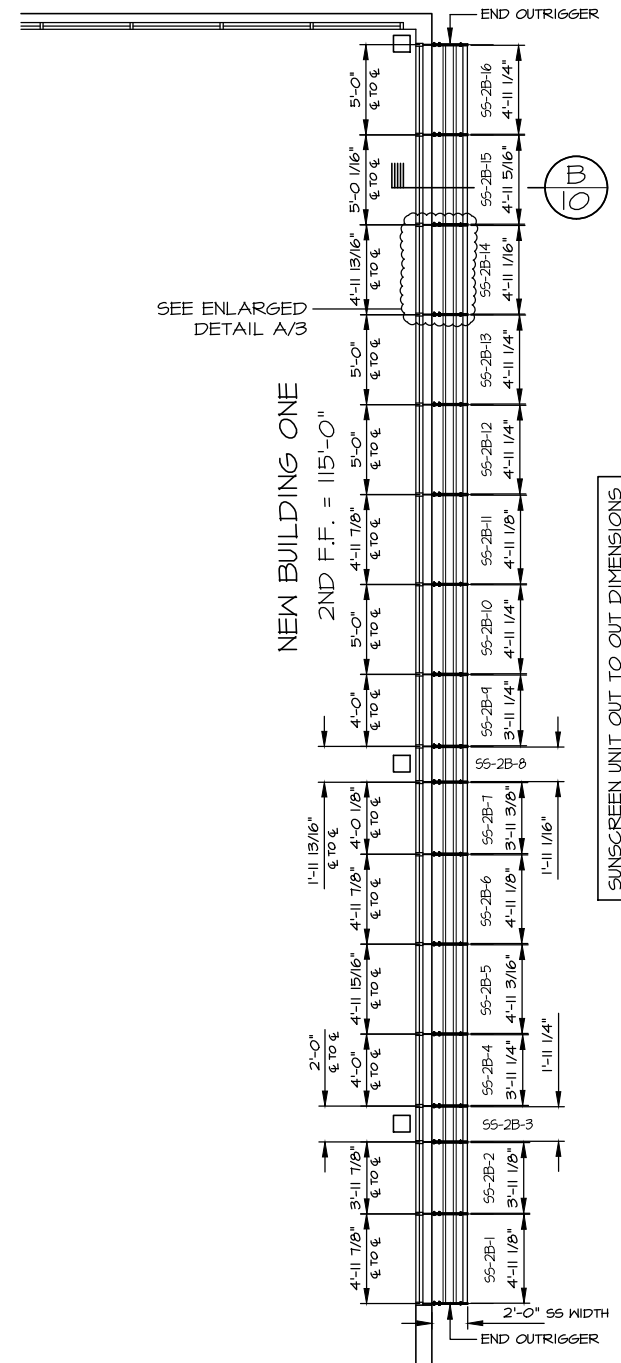
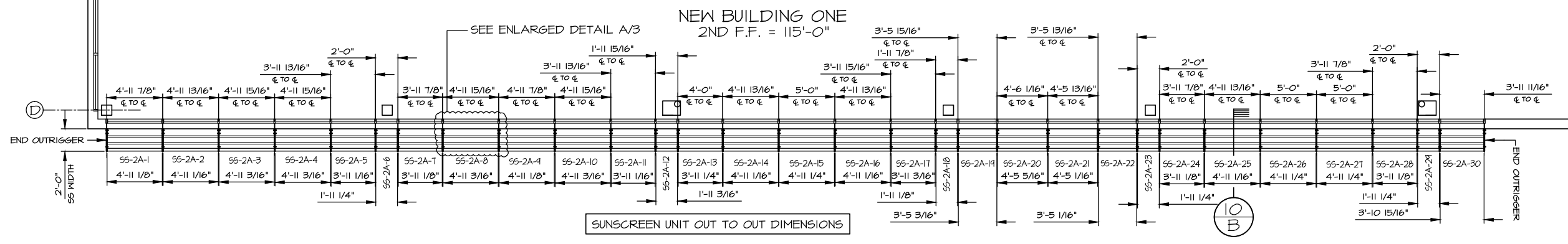
SCALE: AS SHOWN

DATE: 9/21/04

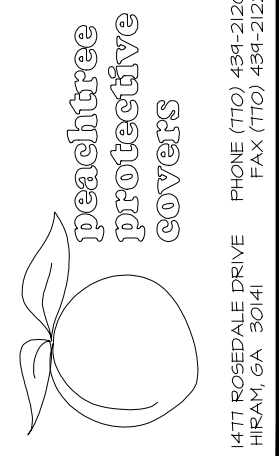
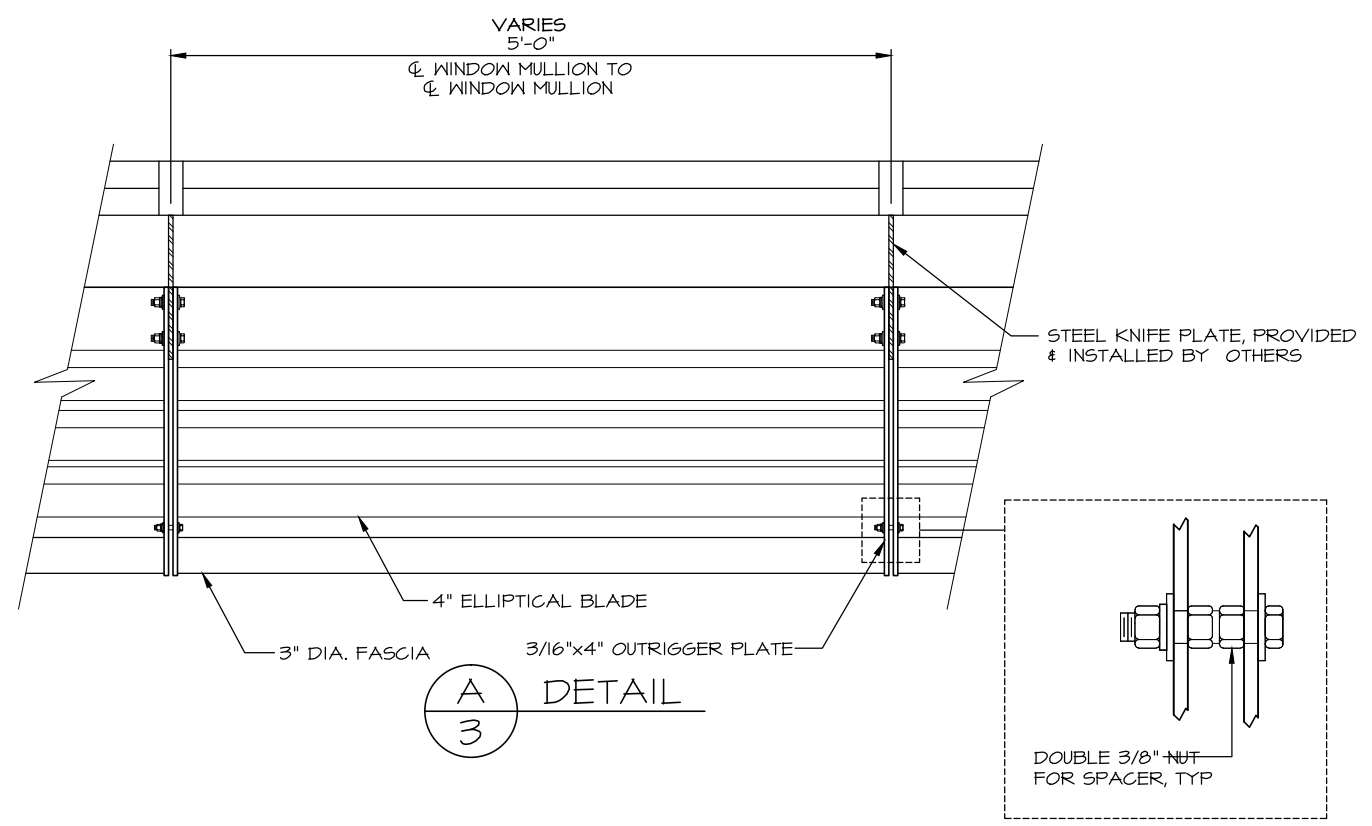
JOB #

3382

SHT 2 OF 11



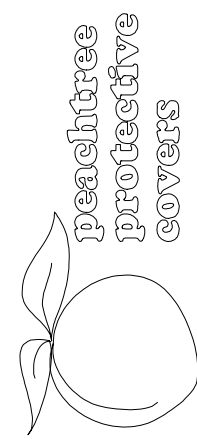
SUNSCREEN PLAN
SCALE: 3/32"=1'-0" SECOND FLOOR



1477 ROSEDALE DRIVE HIRAM, GA 30141
PHONE (770) 434-2120 FAX (770) 434-2122

JOB NAME: QUANTICO CENTER BUILDING I
LOCATION: QUANTICO, VA
ARCHITECT: MORGAN GICK & ASSOCIATES, PC
CONTRACTOR: JACK BAYS, INC.

REVISIONS	
2/1/05 RLV	
2/3/05 RLV	
3/18/05 AM	
DRAWN: LISA	
SCALE: AS SHOWN	
DATE: 9/21/04	
JOB #	
3382	
SHT 3 OF 11	



1477 ROSEDALE DRIVE HIRAM, GA 30141
 PHONE (770) 439-2120 FAX (770) 439-2122

JOB NAME: QUANTICO CENTER BUILDING I
 LOCATION: QUANTICO, VA
 ARCHITECT: MORGAN GICK & ASSOCIATES, PC
 CONTRACTOR: JACK BAYS, INC.

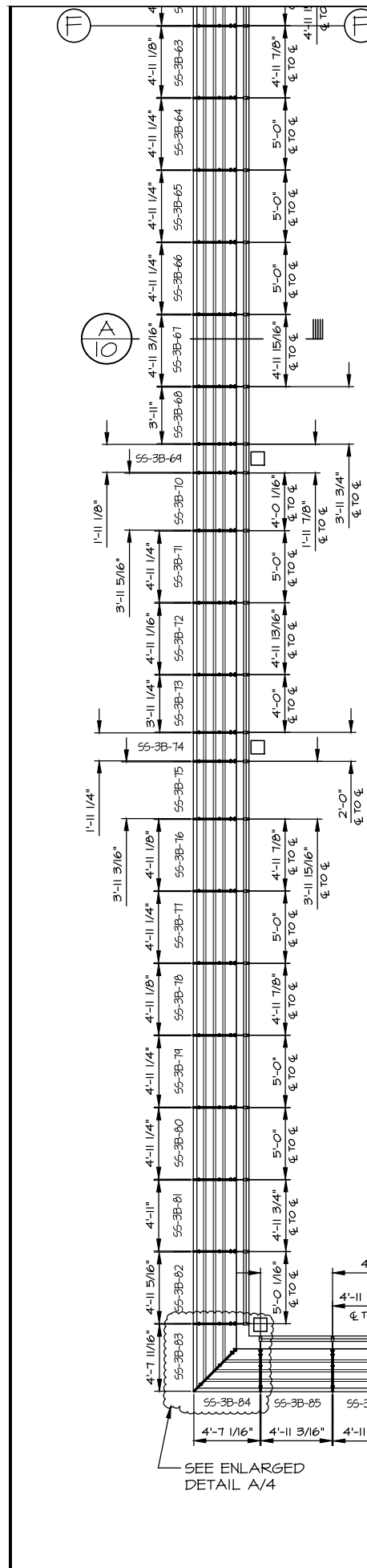
REVISIONS	
2/11/05 RLV	
2/3/05 RLV	

DRAWN: LISA

SCALE: AS SHOWN

DATE: 9/21/04

JOB #
3382
 SHT 4 OF 11



MATCH LINE SHEET 3382-5

NEW BUILDING ONE
 3RD F.F. = 128'-4"

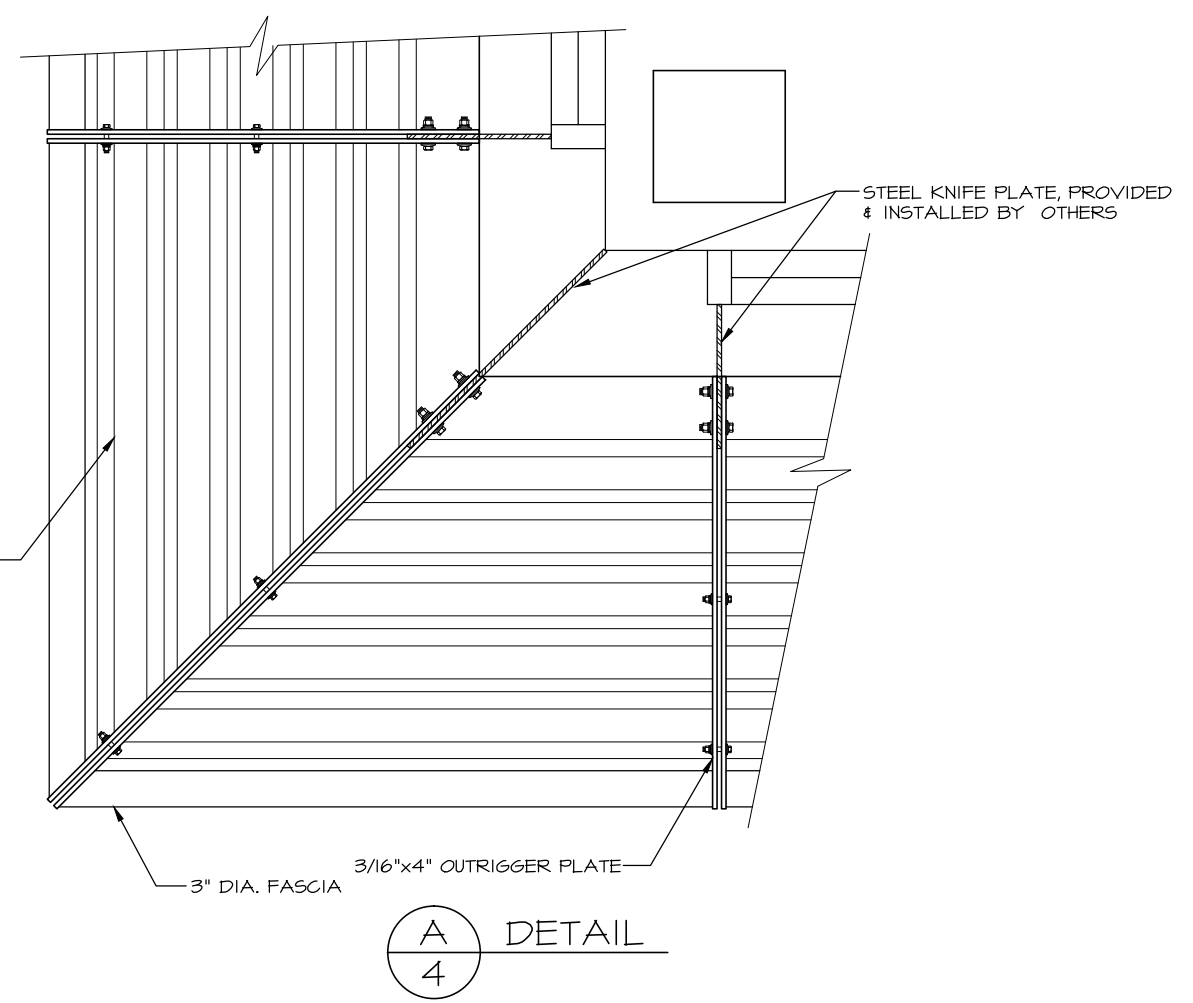


SUNSCREEN PLAN

SCALE: 3/32"=1'-0" THIRD FLOOR

NEW BUILDING ONE
 3RD F.F. = 128'-4"

SUNSCREEN UNIT OUT TO OUT DIMENSIONS



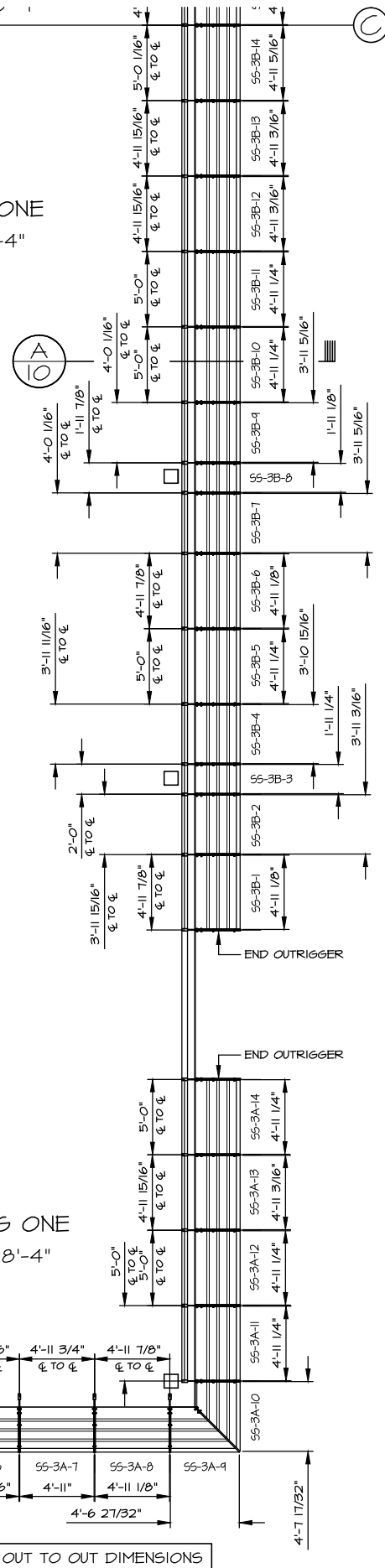
A
 4
 DETAIL

MATCH LINE SHEET 3382-5

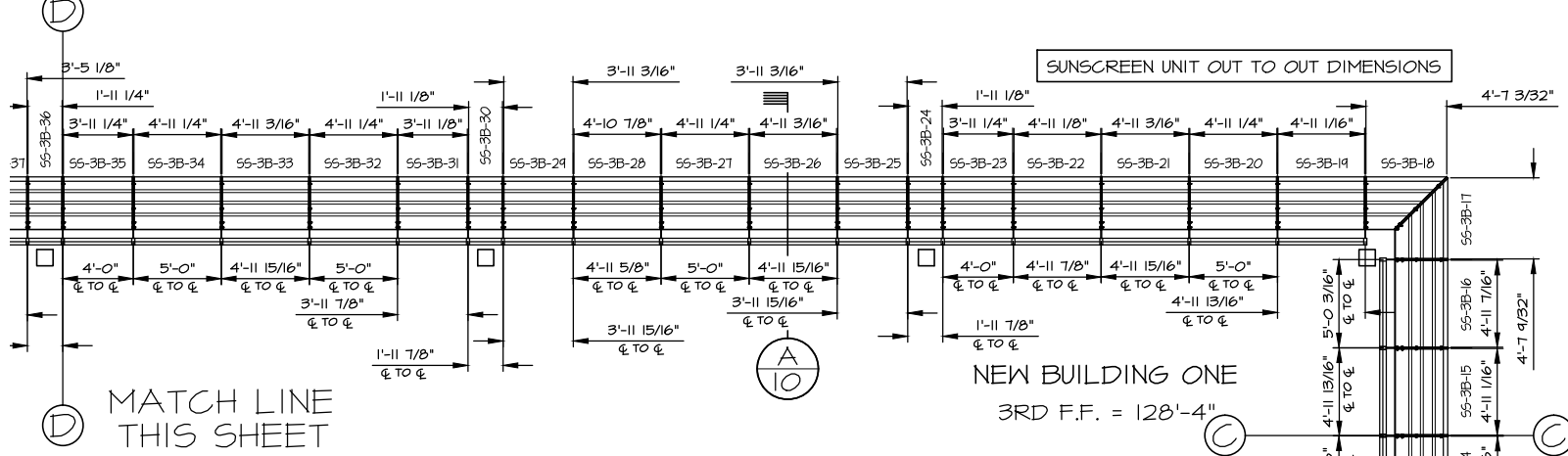
END OUTRIGGER

MATCH LINE
THIS SHEET

NEW BUILDING ONE
3RD F.F. = 128'-4"



SUNSCREEN UNIT OUT TO OUT DIMENSIONS



NEW BUILDING ONE
3RD F.F. = 128'-4"

SUNSCREEN UNIT OUT TO OUT DIMENSIONS

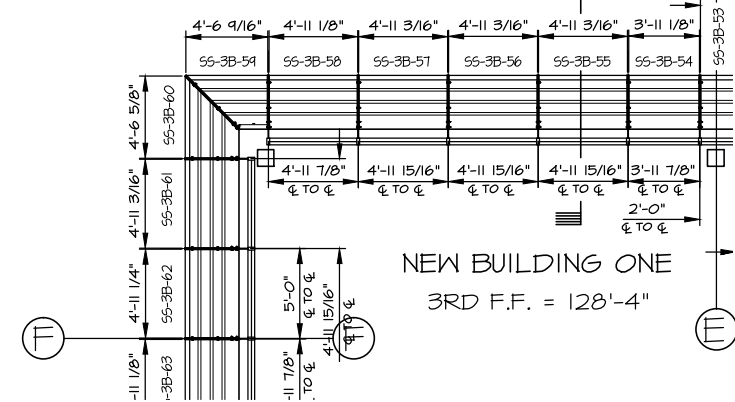
MATCH LINE
THIS SHEET

MATCH LINE
THIS SHEET

MATCH LINE
THIS SHEET

MATCH LINE
THIS SHEET

SUNSCREEN UNIT OUT TO OUT DIMENSIONS



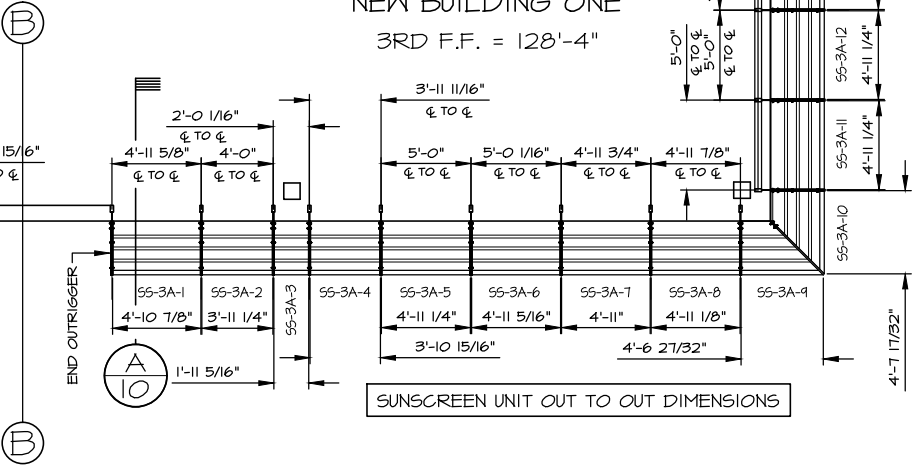
NEW BUILDING ONE
3RD F.F. = 128'-4"

MATCH LINE
THIS SHEET

MATCH LINE
SHEET 3382-4

MATCH LINE
SHEET 3382-4

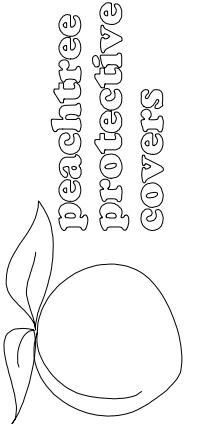
NEW BUILDING ONE
3RD F.F. = 128'-4"



SUNSCREEN UNIT OUT TO OUT DIMENSIONS

SUNSCREEN PLAN

SCALE: 3/32"=1'-0" THIRD FLOOR



JOB NAME: QUANTICO CENTER BUILDING I
 LOCATION: QUANTICO, VA
 ARCHITECT: MORGAN GICK & ASSOCIATES, PC
 CONTRACTOR: JACK BAYS, INC.

1477 ROSEDALE DRIVE HIRAM, GA 30141
 PHONE (770) 434-2120 FAX (770) 434-2122

REVISIONS

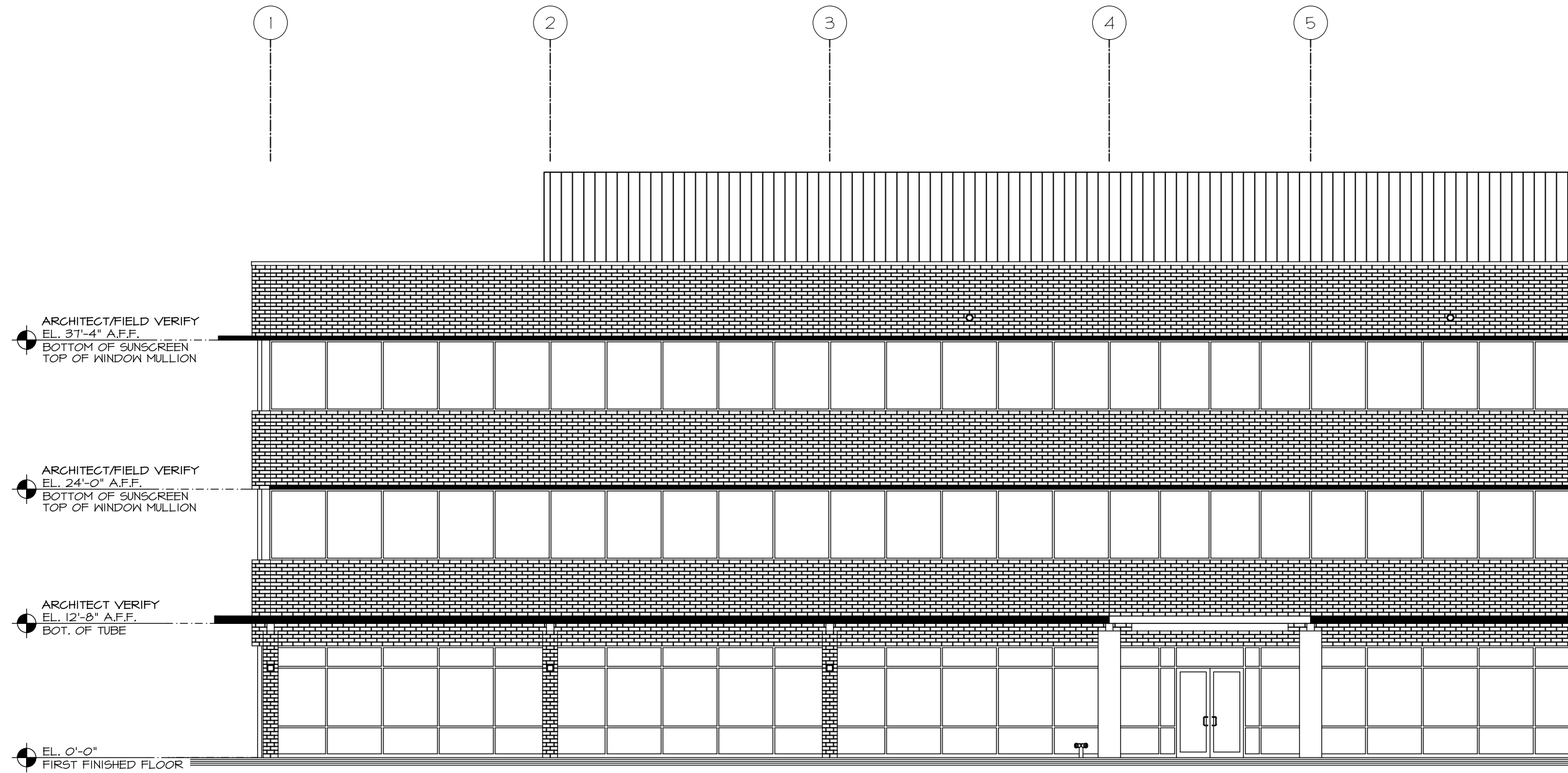
2/1/05 RLV	
3/18/05 AM	

DRAWN: LISA

SCALE: AS SHOWN

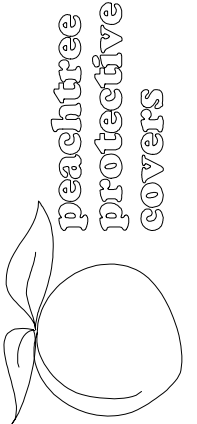
DATE: 9/21/04

JOB #
3382
 SHT 5 OF 11



(A)
6 PARTIAL SOUTH
ELEVATION

NOTE:
SOME BACKGROUND DETAILS
OMITTED FOR CLARITY.



1477 ROSEDALE DRIVE HIRAM, GA 30141
PHONE (770) 439-2120 FAX (770) 439-2122

JOB NAME: QUANTICO CENTER BUILDING 1
LOCATION: QUANTICO, VA
ARCHITECT: MORGAN GICK & ASSOCIATES, PC
CONTRACTOR: JACK BAYS, INC.

REVISIONS

DRAWN: LISA

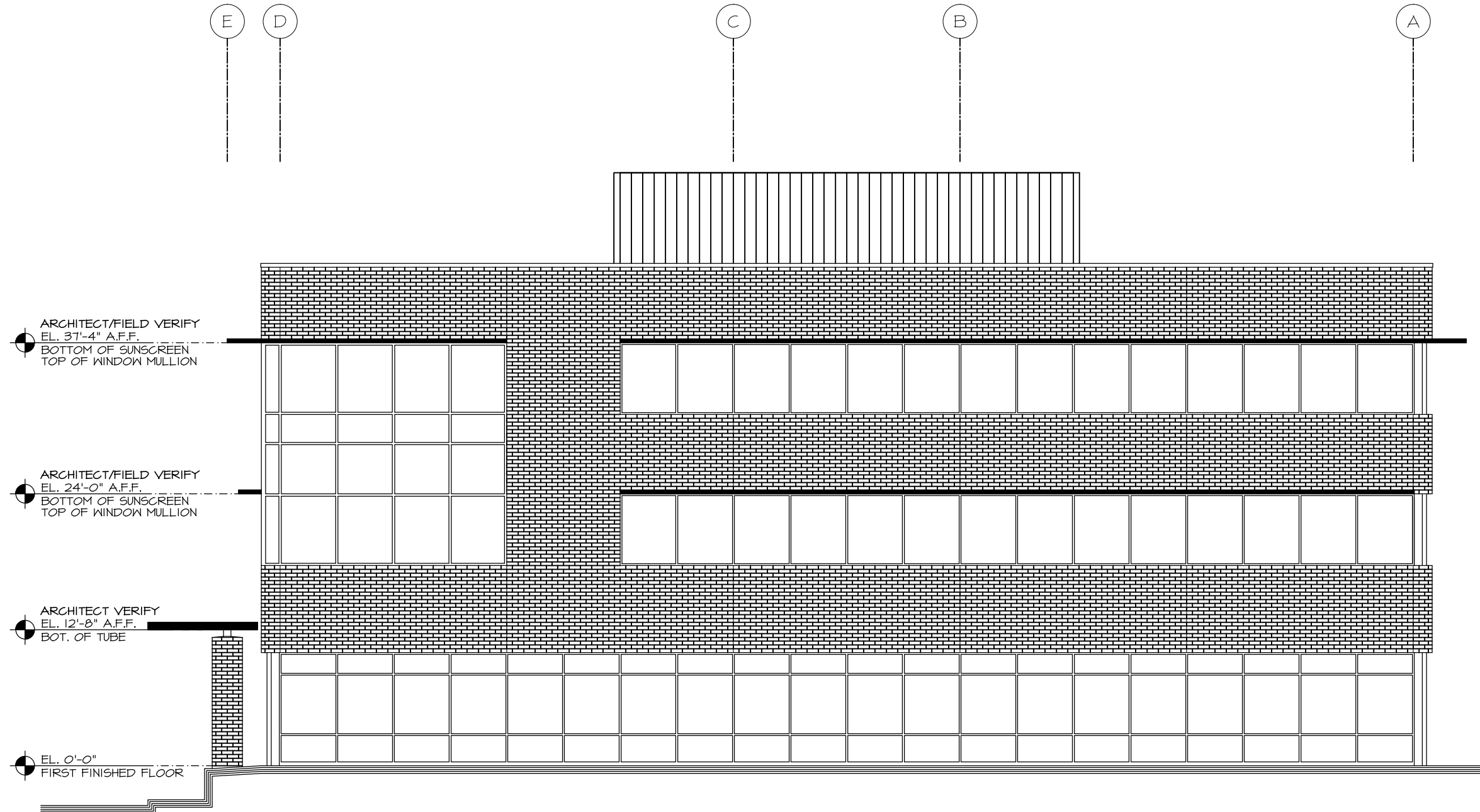
SCALE: AS SHOWN

DATE: 9/21/04

JOB #

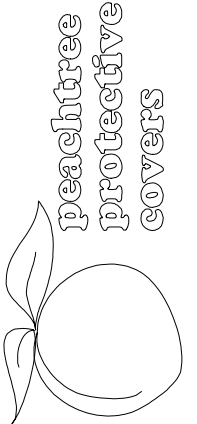
3382

SHT 6 OF 11



(A) EAST
7 ELEVATION

NOTE:
SOME BACKGROUND DETAILS
OMITTED FOR CLARITY.



1477 ROSEDALE DRIVE HIRAM, GA 30141
PHONE (770) 439-2120 FAX (770) 439-2122

JOB NAME: QUANTICO CENTER BUILDING I
LOCATION: QUANTICO, VA
ARCHITECT: MORGAN GICK & ASSOCIATES, PC
CONTRACTOR: JACK BAYS, INC.

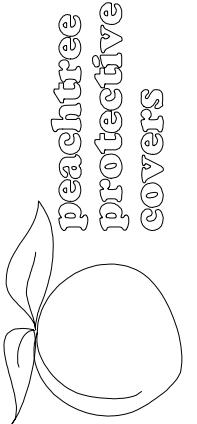
REVISIONS

DRAWN: LISA

SCALE: AS SHOWN

DATE: 9/21/04

JOB #
3382
SHT 7 OF 11



1477 ROSEDALE DRIVE HIRAM, GA 30141 PHONE (770) 439-2120 FAX (770) 439-2122

JOB NAME: QUANTICO CENTER BUILDING I
LOCATION: QUANTICO, VA
ARCHITECT: MORGAN GICK & ASSOCIATES, PC
CONTRACTOR: JACK BAYS, INC.

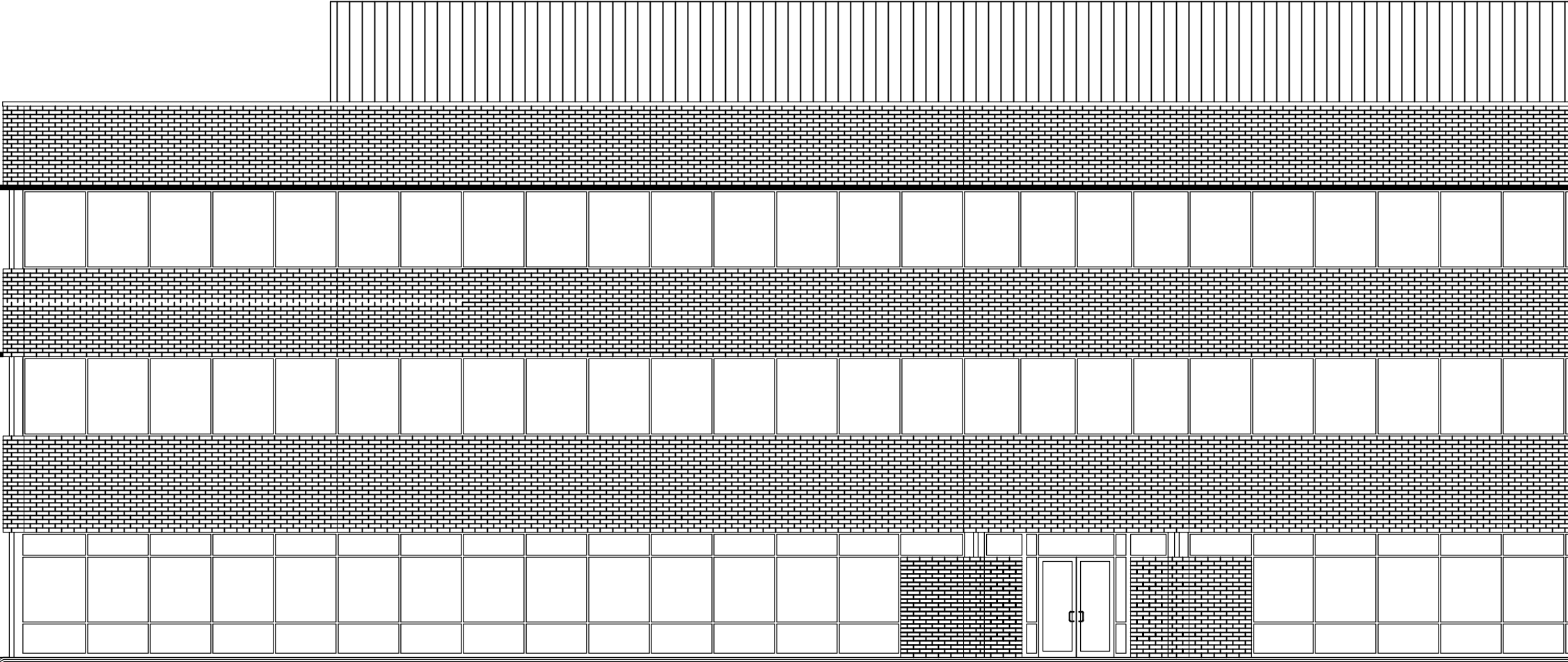
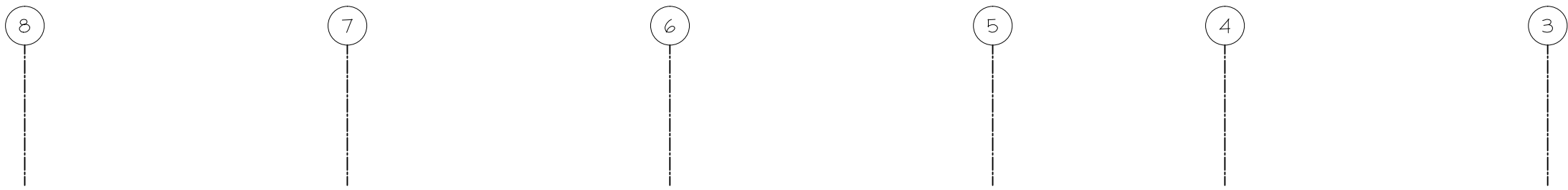
REVISIONS

DRAWN: LISA

SCALE: AS SHOWN

DATE: 9/21/04

JOB #
3382
SHT 8 OF 11



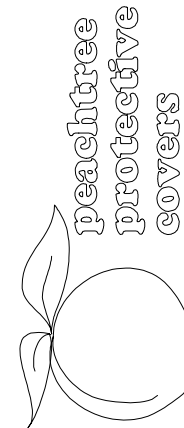
ARCHITECT/FIELD VERIFY
EL. 37'-4" A.F.F.
BOTTOM OF SUNSCREEN
TOP OF WINDOW MULLION

ARCHITECT/FIELD VERIFY
EL. 24'-0" A.F.F.
BOTTOM OF SUNSCREEN
TOP OF WINDOW MULLION

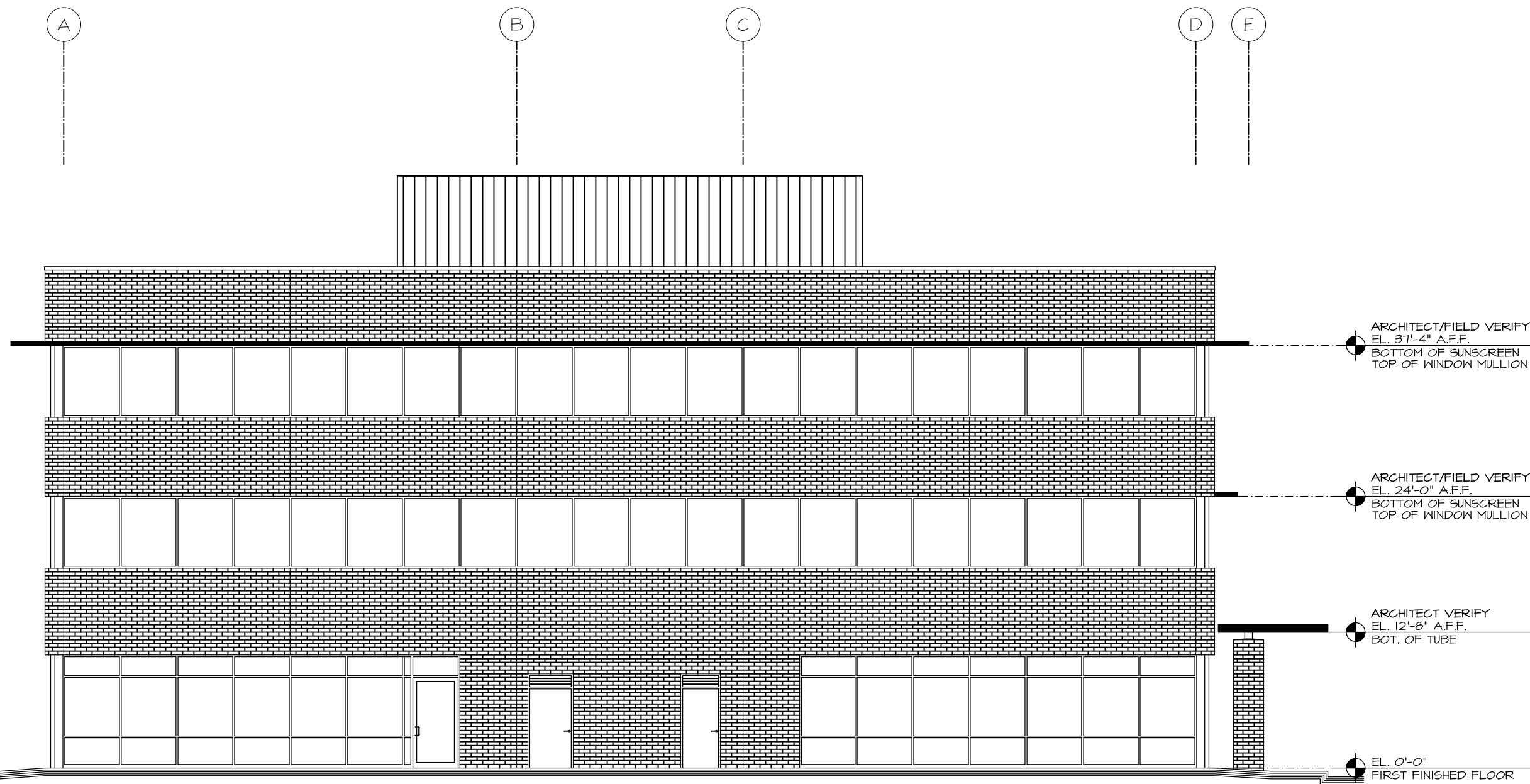
EL. 0'-0"
FIRST FINISHED FLOOR

A PARTIAL NORTH
8 ELEVATION

NOTE:
SOME BACKGROUND DETAILS
OMITTED FOR CLARITY.



1477 ROSEDALE DRIVE HIRAM, GA 30141
 PHONE (770) 439-2120 FAX (770) 439-2122



$\frac{A}{q}$ WEST ELEVATION

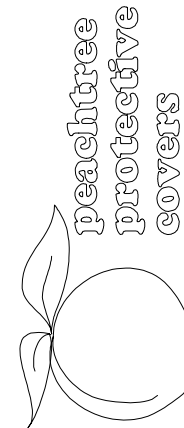
NOTE:
 SOME BACKGROUND DETAILS
 OMITTED FOR CLARITY.

JOB NAME: QUANTICO CENTER BUILDING 1
 LOCATION: QUANTICO, VA
 ARCHITECT: MORGAN GICK & ASSOCIATES, PC
 CONTRACTOR: JACK BAYS, INC.

REVISIONS	

DRAWN: LISA
 SCALE: AS SHOWN
 DATE: 9/21/04

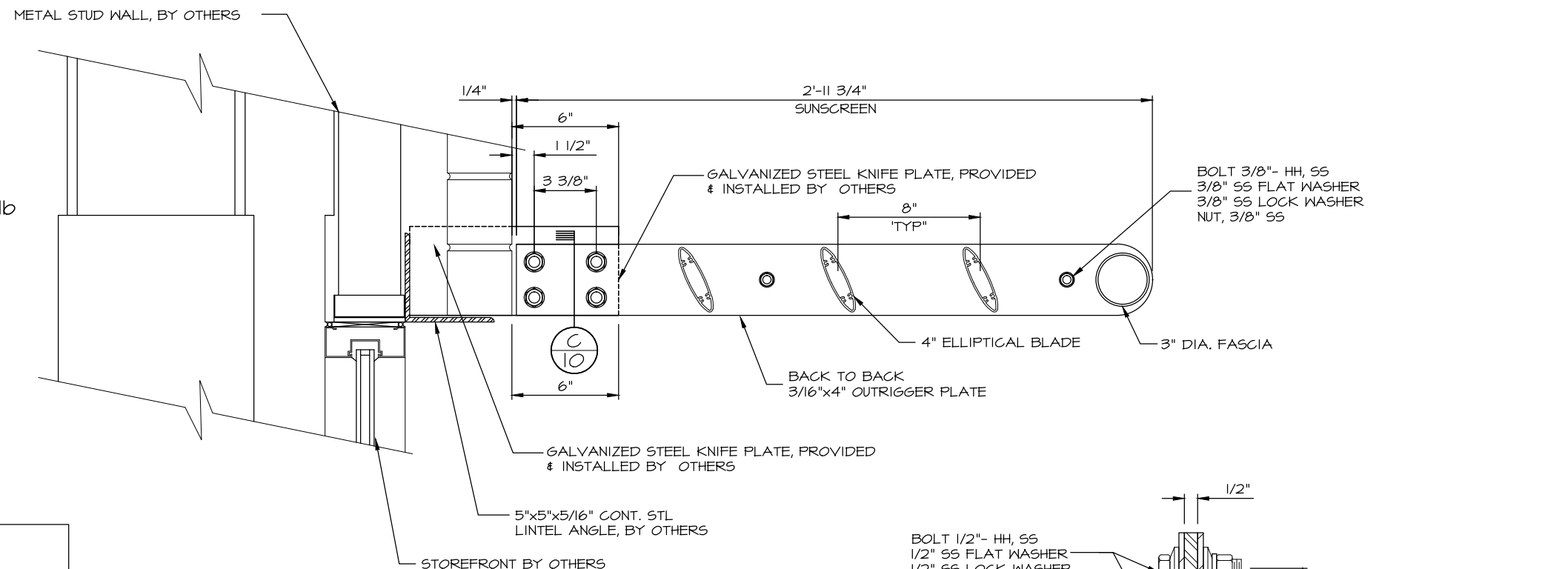
JOB #
 3382
 SHT 9 OF 11



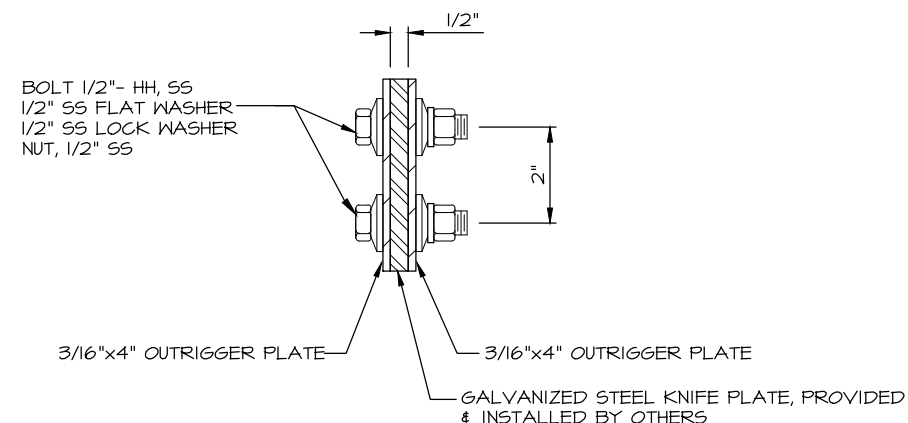
1477 ROSEDALE DRIVE HIRAM, GA 30141
 PHONE (770) 439-2120
 FAX (770) 439-2122

INSTALLER NOTE:
 ISOLATION MATERIAL REQUIRED
 BETWEEN STEEL & ALUMINUM
 MATERIALS, TYP.
 USE ACRYLIC SPRAY AND HORSESHOE
 SPACERS AS REQ'D.

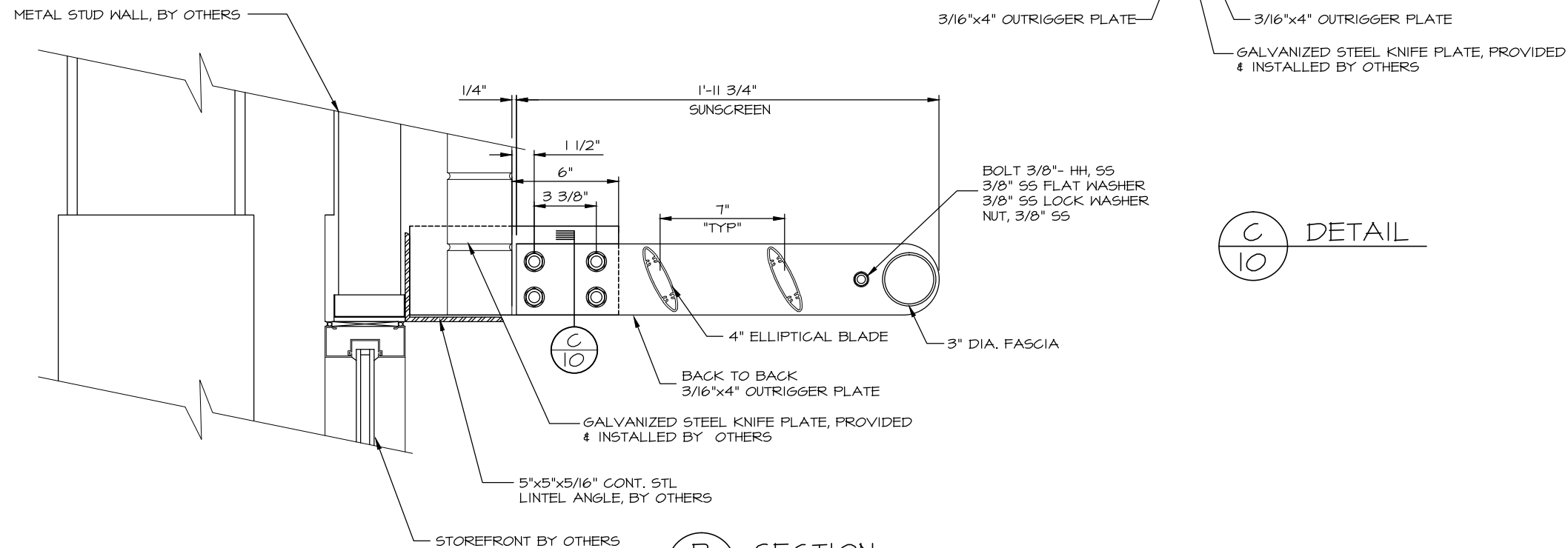
M = 518 ft-lb
 345#



A SECTION



C DETAIL



B SECTION

JOB NAME: QUANTICO CENTER BUILDING I
 LOCATION: QUANTICO, VA
 ARCHITECT: MORGAN GICK & ASSOCIATES, PC
 CONTRACTOR: JACK BAYS, INC.

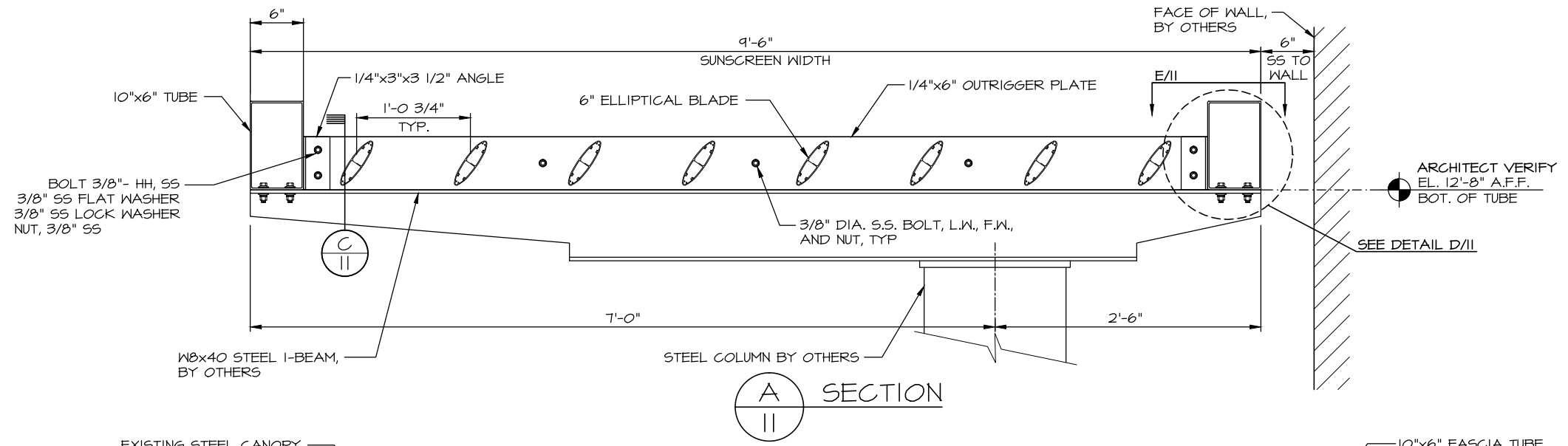
REVISIONS	
2/1/05 RLV	
2/3/05 RLV	
3/18/05 AM	

DRAWN: LISA

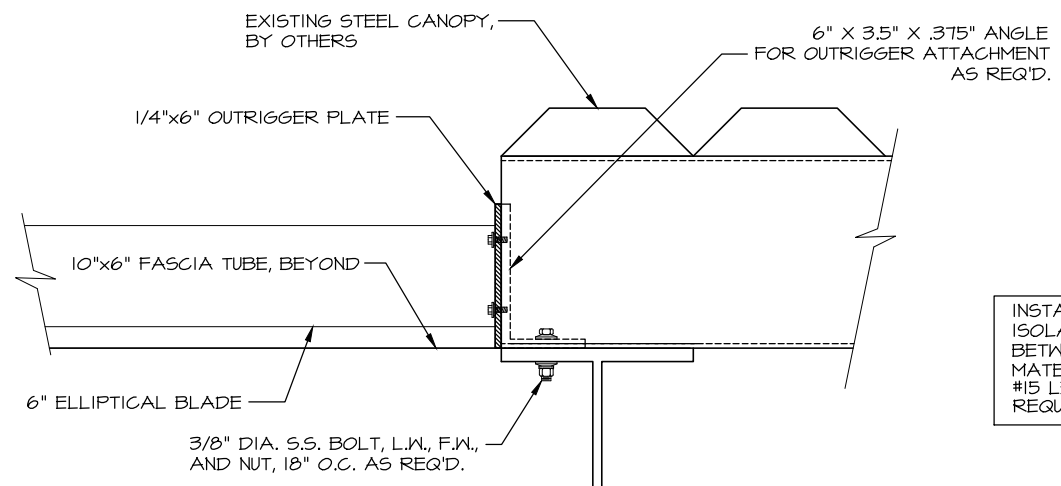
SCALE: AS SHOWN

DATE: 9/21/04

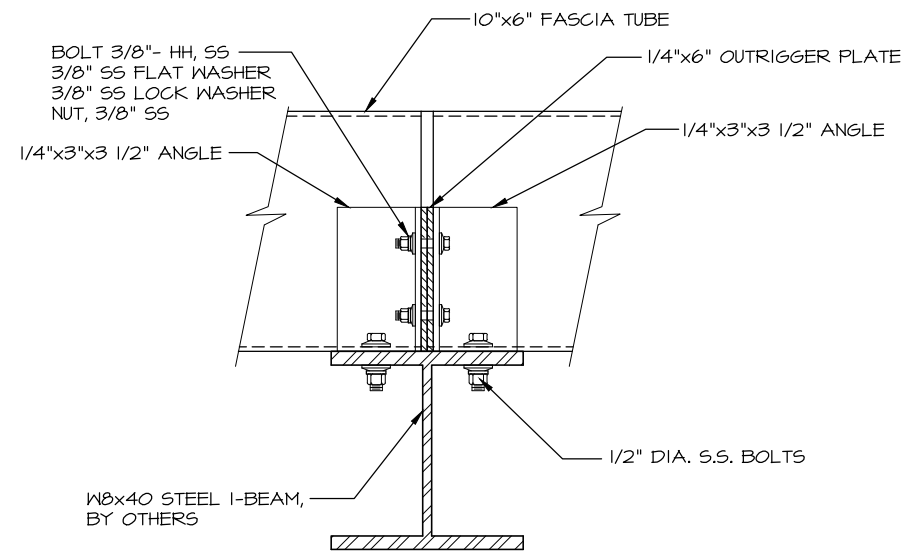
JOB #
 3382
 SHT 10 OF 11



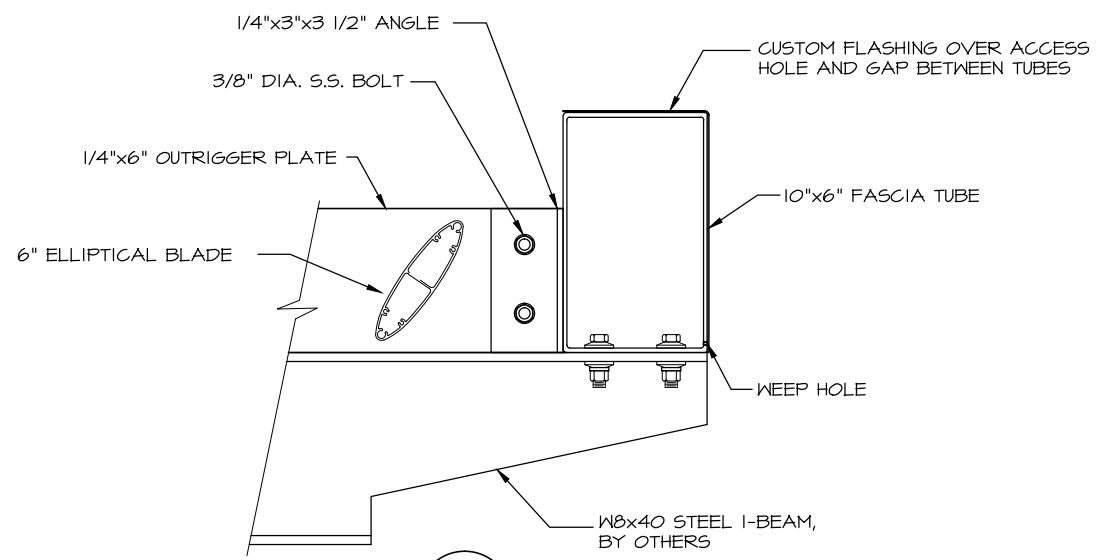
A SECTION



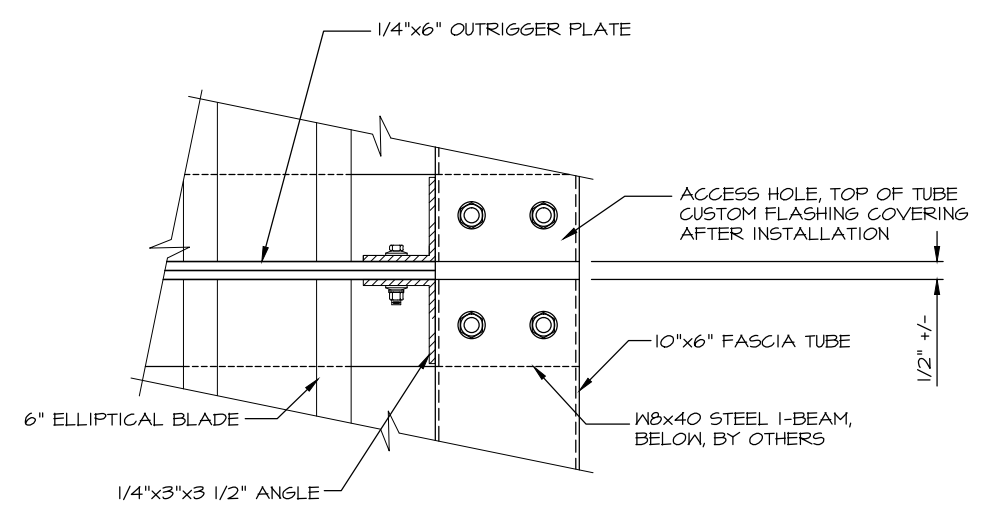
B SECTION



C DETAIL



D DETAIL



E DETAIL

INSTALLER NOTE:
ISOLATION MATERIAL REQUIRED
BETWEEN STEEL & ALUMINUM
MATERIALS, TYP.
#15 LB. FELT ISOLATION MATERIAL
REQUIRED BETWEEN DISSIMILAR MATERIALS.

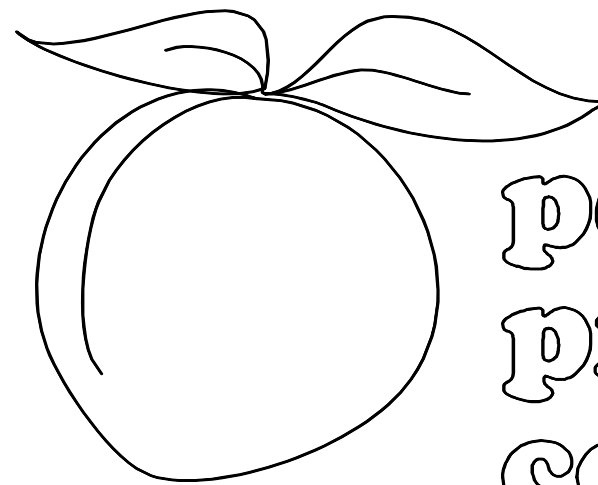
peachtree
protective
covers

1477 ROSEDALE DRIVE
HIRAM, GA 30141
PHONE (770) 434-2120
FAX (770) 434-2122

JOB NAME: QUANTICO CENTER BUILDING I
LOCATION: QUANTICO, VA
ARCHITECT: MORGAN GICK & ASSOCIATES, PC
CONTRACTOR: JACK BAYS, INC.

REVISIONS	
2/1/05 RLV	
2/3/05 RLV	
5/12/05 AM	
DRAWN: LISA	
SCALE: AS SHOWN	
DATE: 9/21/04	
JOB #	
3382	
SHT 11 OF 11	

JOB # 3694



peachtree
protective
covers

QUANTICO CENTER
BUILDING TWO
DUMFRIES, VA

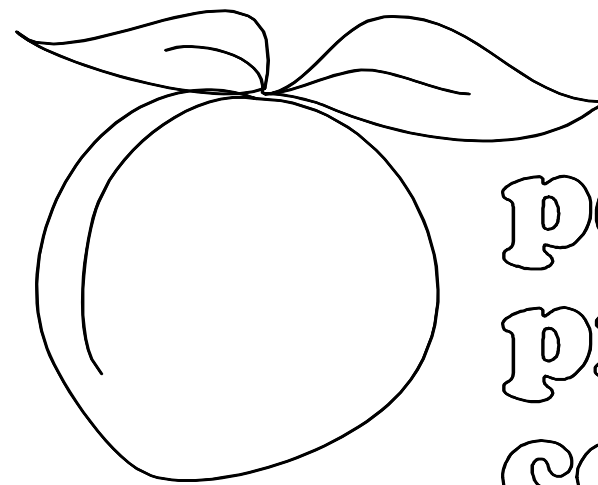
BY

MORGAN GICK & ASSOCIATES, PC

NOVEMBER 18, 2005

1477 ROSEDALE DRIVE
HIRAM, GA 30141
(770) 439-2120
fax (770) 439-2122

JOB # 3694



peachtree
protective
covers

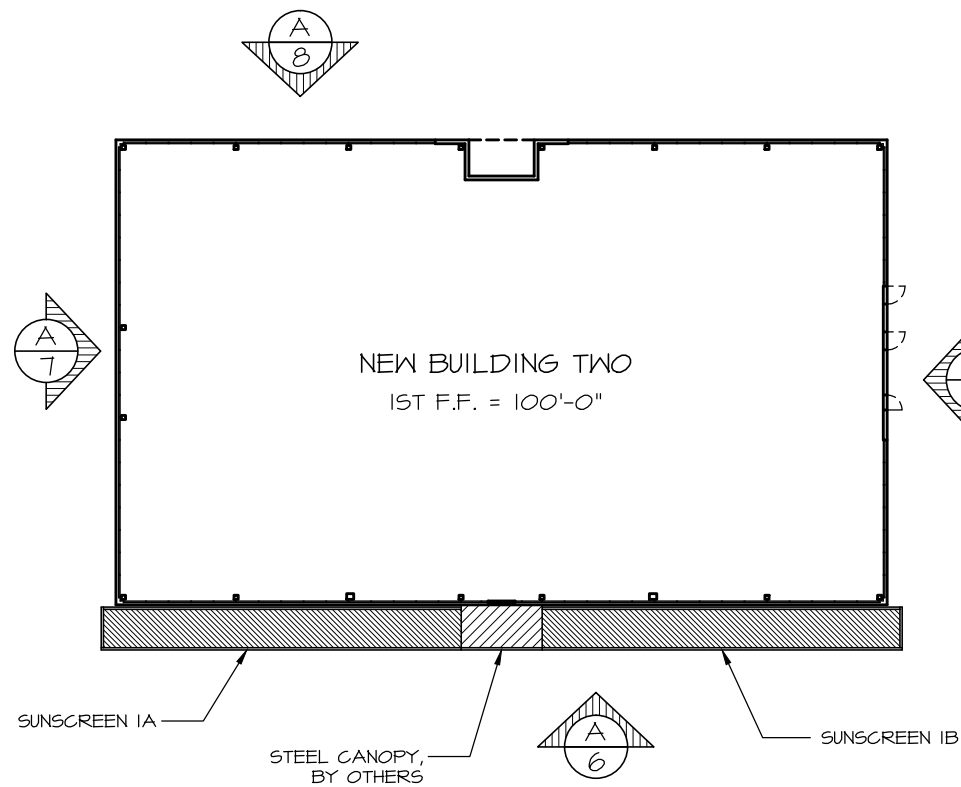
QUANTICO CENTER
BUILDING TWO
DUMFRIES, VA

BY

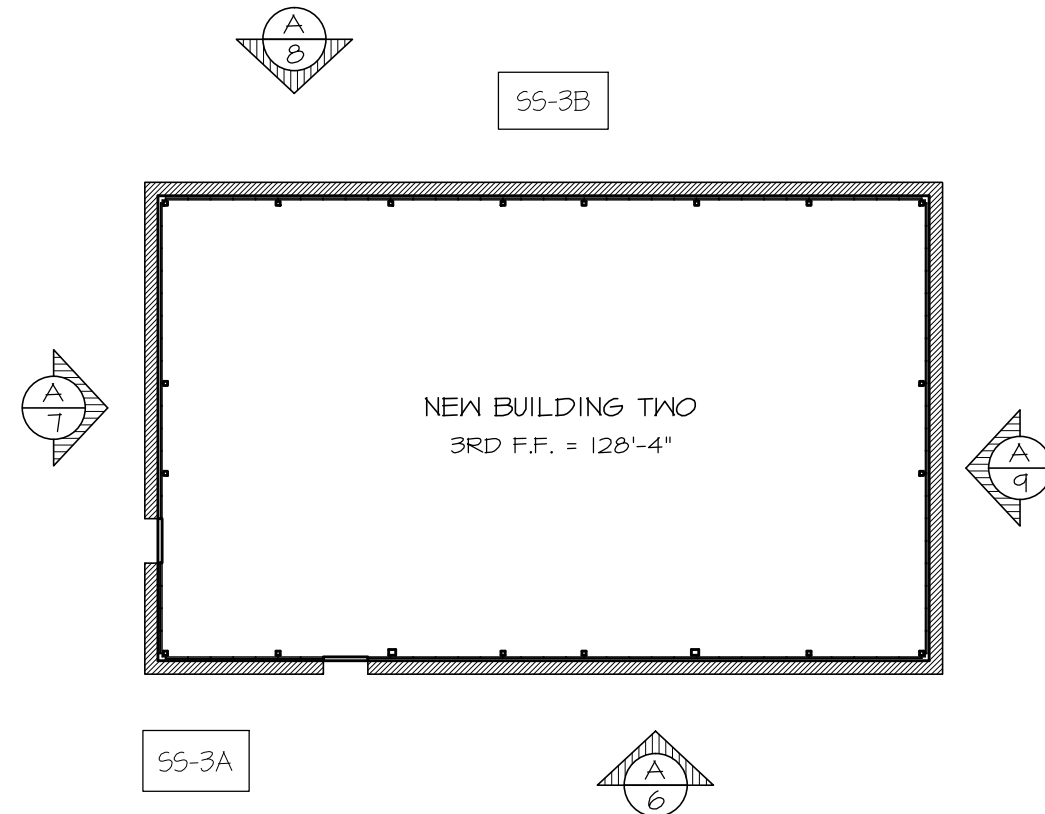
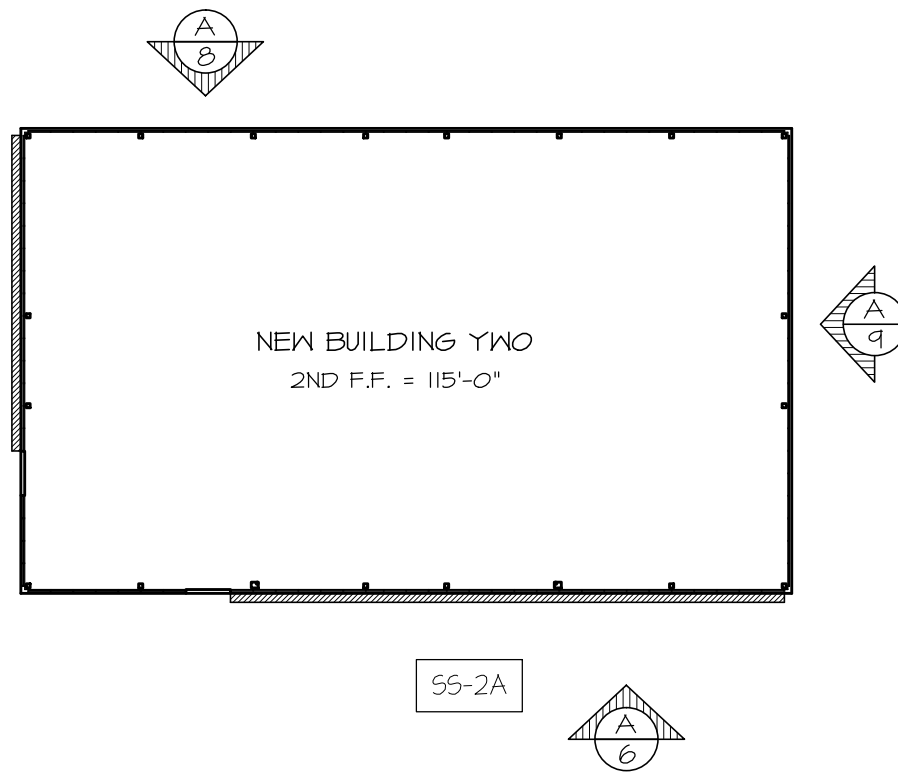
MORGAN GICK & ASSOCIATES, PC

JUNE 2, 2006

1477 ROSEDALE DRIVE
HIRAM, GA 30141
(770) 439-2120
fax (770) 439-2122



SS-2B



KEY PLANS
N.T.S.

peachtree
protective
covers

1477 ROSEDALE DRIVE PHONE (770) 494-2120
HIRAM, GA 30141 FAX (770) 494-2122

JOB NAME: QUANTICO CENTER BUILDING TWO
LOCATION: DUMFRIES, VA
ARCHITECT: MORGAN GICK & ASSOCIATES, PC
CONTRACTOR: JACK BAYS, INC.

REVISIONS

DRAWN: LKA

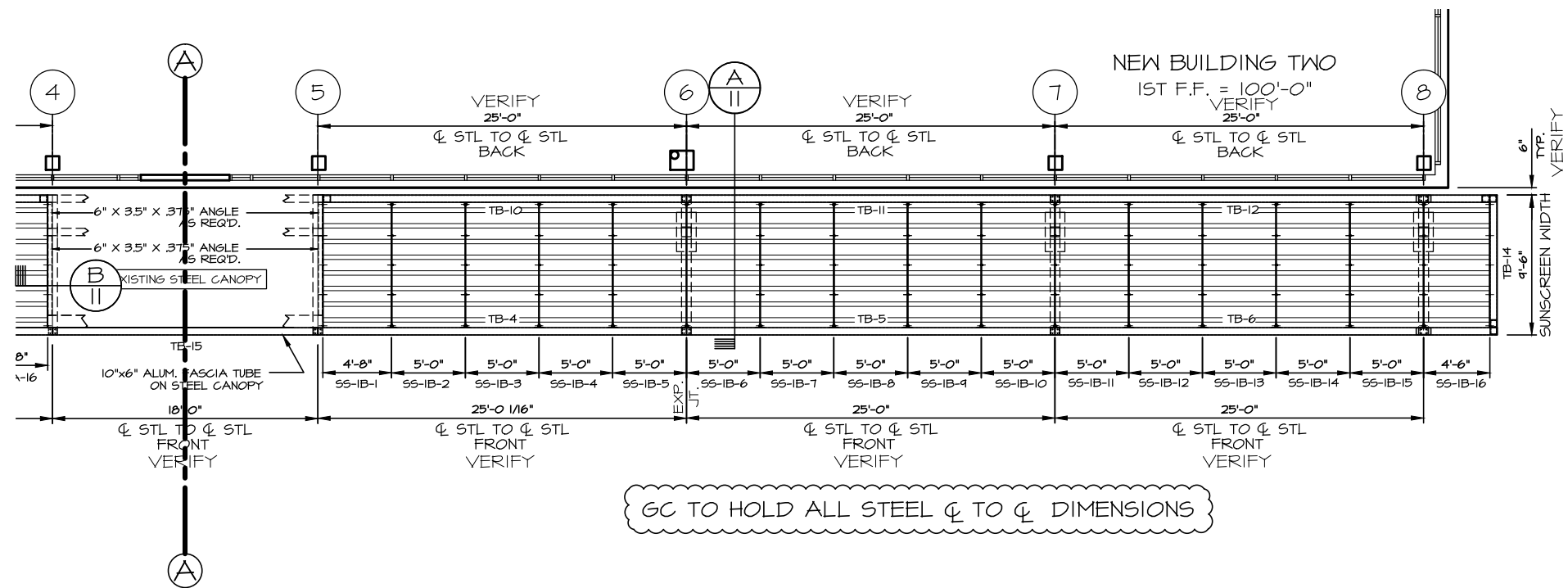
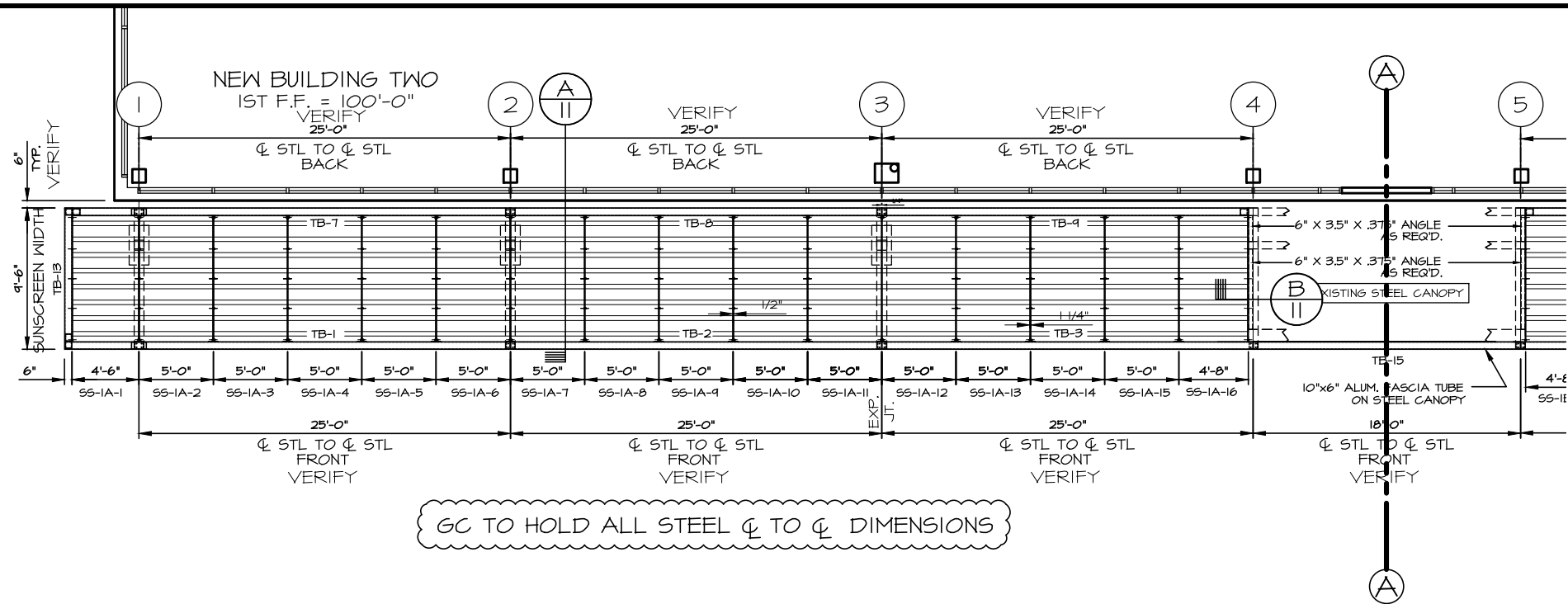
SCALE: AS SHOWN

DATE: 9/22/05

JOB #
3694
SHT | OF |

FINISH SCHEDULE

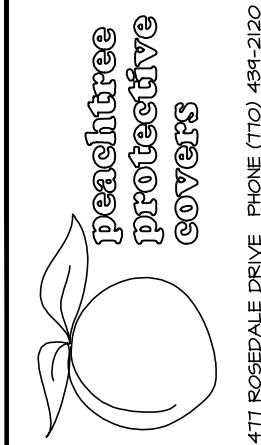
DESCRIPTION	FINISH	COLOR
4" TAPERED OUTRIGGER	ANODIZED	CLEAR
4" ELLIPTICAL BLADE	ANODIZED	CLEAR
3" DIA. FASCIA TUBE	ANODIZED	CLEAR
6" BAR OUTRIGGER	ANODIZED	CLEAR
6" ELLIPTICAL BLADE	ANODIZED	CLEAR
10"x6" FASCIA TUBE	ANODIZED	CLEAR



SUNSCREEN PLAN

SCALE: 3/32"=1'-0"

FIRST FLOOR



1477 ROSEDALE DRIVE PHONE (770) 434-2120
HIRAM, GA 30141 FAX (770) 434-2122

JOB NAME: QUANTICO CENTER BUILDING TWO

LOCATION: DUMFRIES, VA

ARCHITECT: MORGAN GICK & ASSOCIATES, PC

CONTRACTOR: JACK BAYS, INC.

REVISIONS

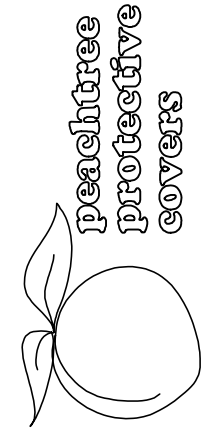
11/18/05 LKA	

DRAWN: LKA

SCALE: AS SHOWN

DATE: 9/22/05

JOB #
3694
SHT 2 OF 11

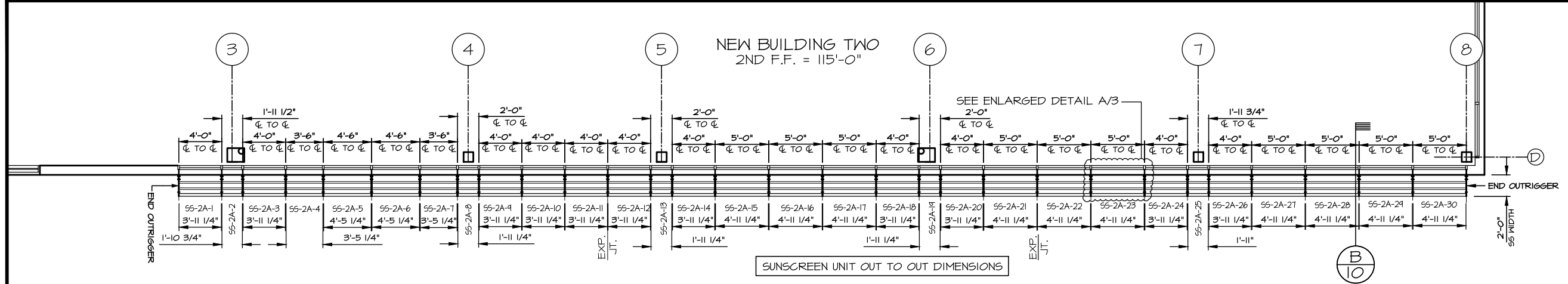


1477 ROSEDALE DRIVE PHONE (770) 494-2120
HIRAM, GA 30141 FAX (770) 494-2122

JOB NAME: QUANTICO CENTER BUILDING TWO
LOCATION: DUMFRIES, VA
ARCHITECT: MORGAN GICK & ASSOCIATES, PC
CONTRACTOR: JACK BAYS, INC.

REVISIONS	
11/18/05	LKA

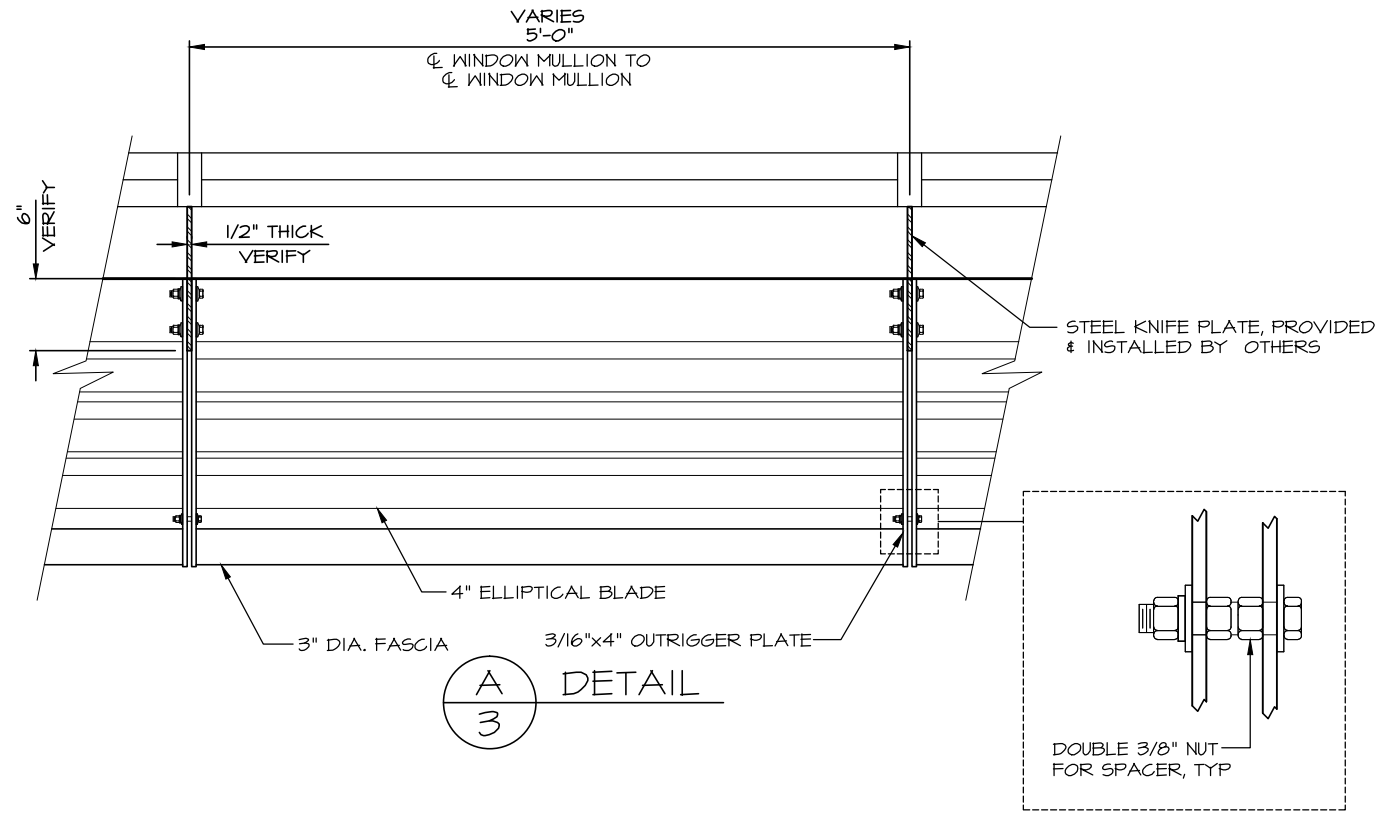
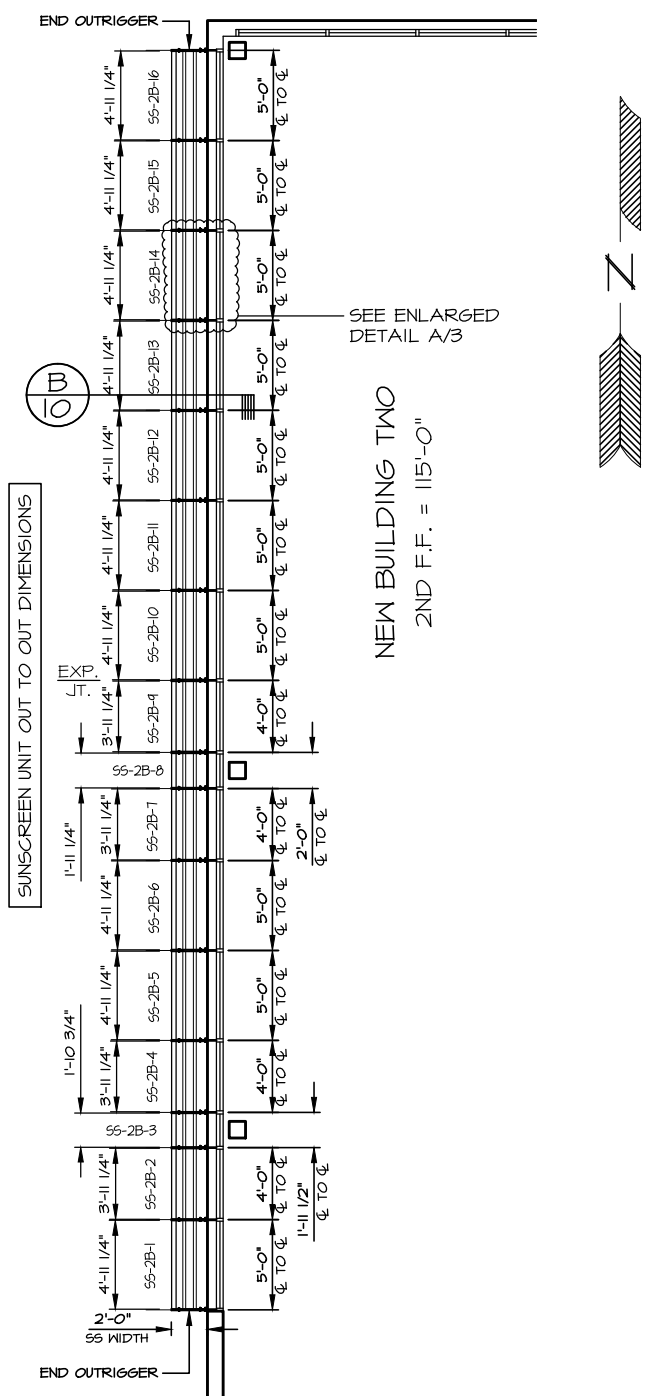
DRAWN: LKA
SCALE: AS SHOWN
DATE: 9/22/05
JOB #
3694
SHT 3 OF 11



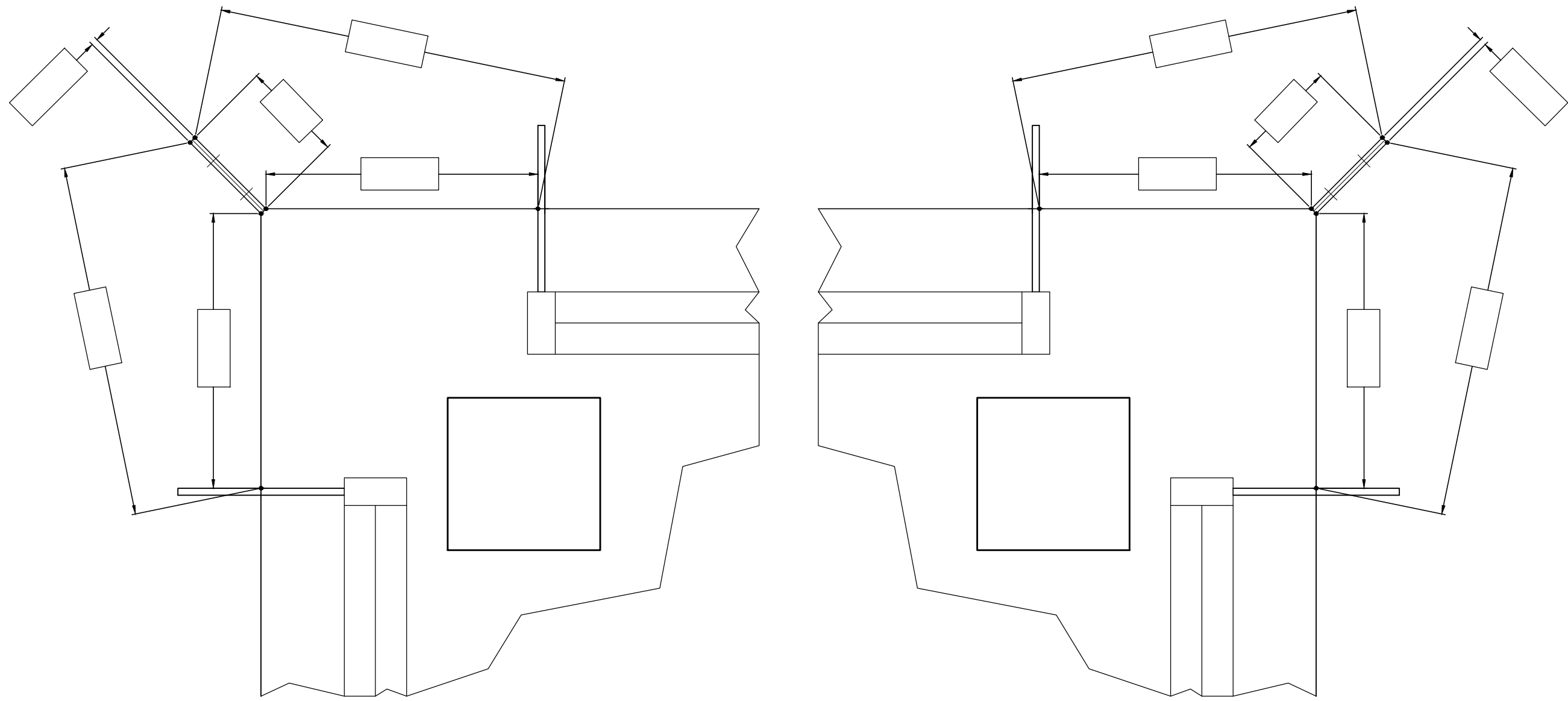
SUNSCREEN UNIT OUT TO OUT DIMENSIONS

SUNSCREEN PLAN

SCALE: 3/32"=1'-0" SECOND FLOOR



A
3 DETAIL



CORNER NO. 2

CORNER NO. 3

3RD FLOOR CORNER
FIELD INFO



JOB NAME: QUANTICO CENTER BUILDING TWO
LOCATION: DUMFRIES, VA

ARCHITECT: MORGAN GICK & ASSOCIATES, PC
CONTRACTOR: JACK BAYS, INC.

REVISIONS	

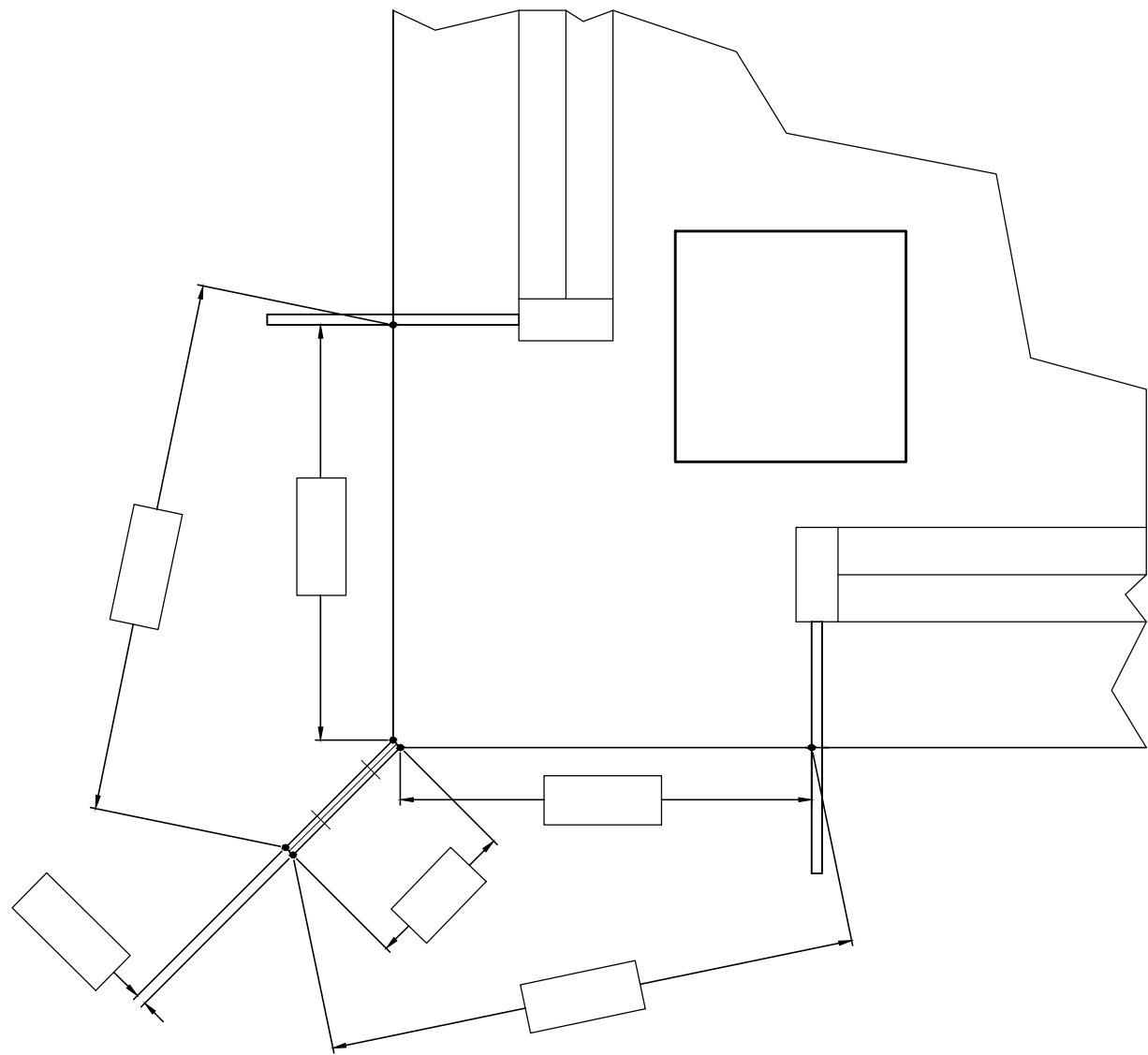
DRAWN: LKA

SCALE: AS SHOWN

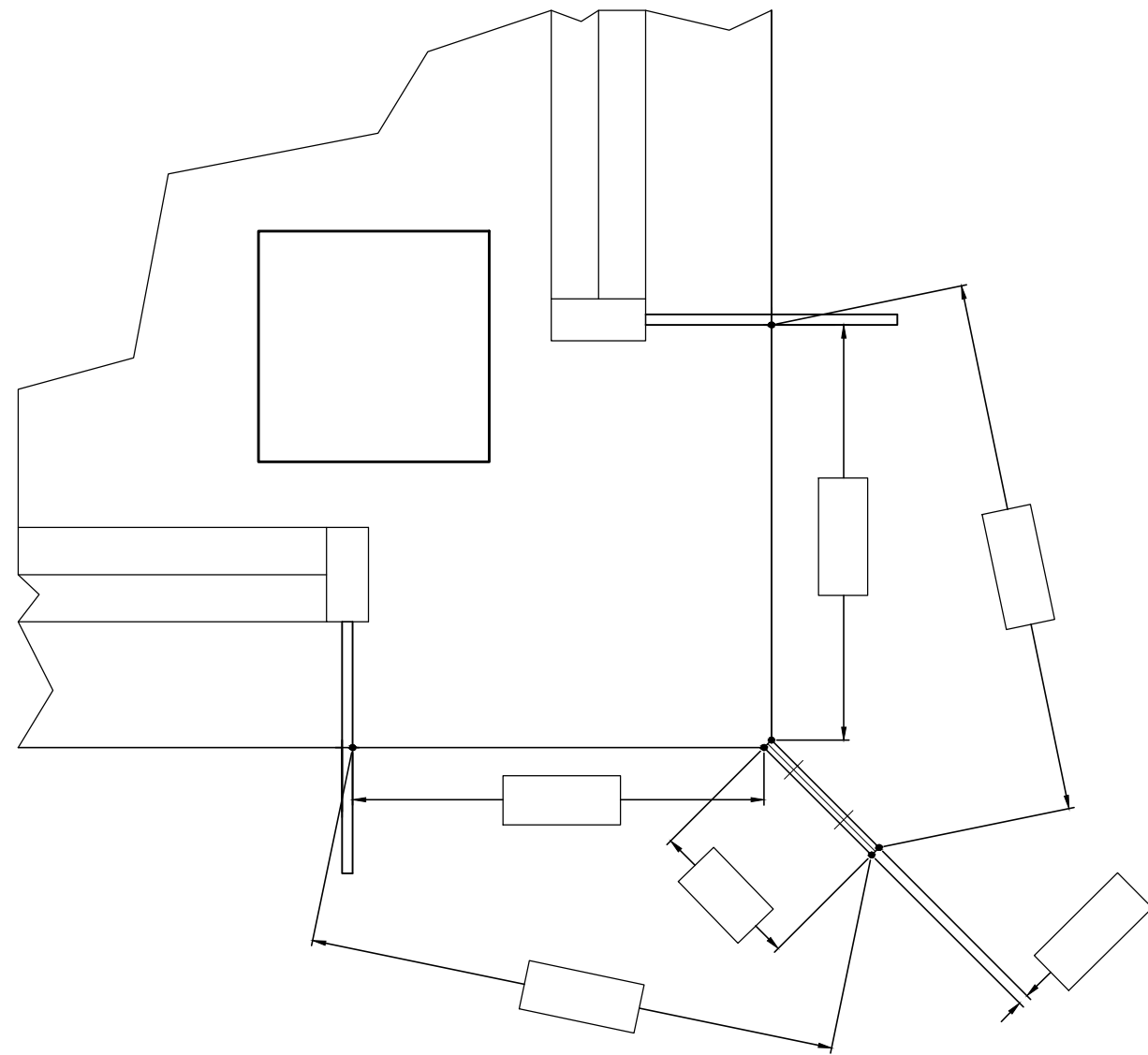
DATE: 9/22/05

JOB #
3694
SHT 3A OF 11

3RD FLOOR CORNER
FIELD INFO



CORNER NO. 1



CORNER NO. 4



1477 ROSEDALE DRIVE PHONE (770) 434-2120
HIRAM, GA 30141 FAX (770) 434-2122

JOB NAME: QUANTICO CENTER BUILDING TWO
LOCATION: DUMFRIES, VA

ARCHITECT: MORGAN GICK & ASSOCIATES, PC
CONTRACTOR: JACK BAYS, INC.

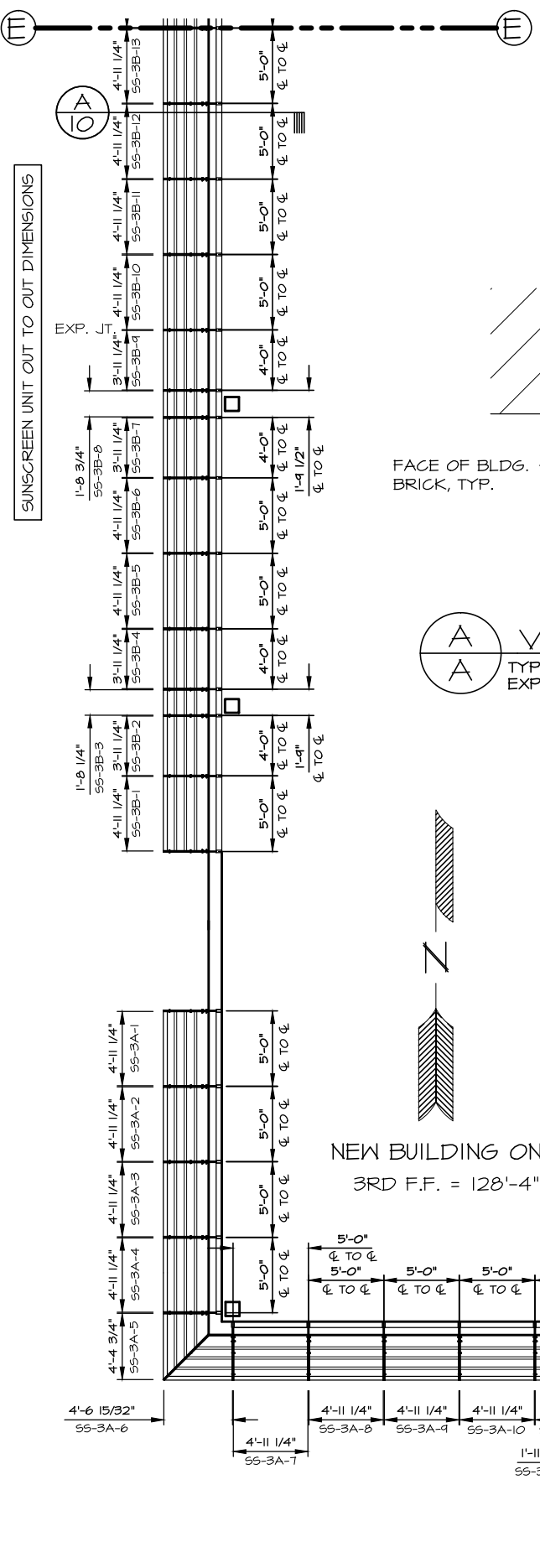
REVISIONS	

DRAWN: LKA

SCALE: AS SHOWN

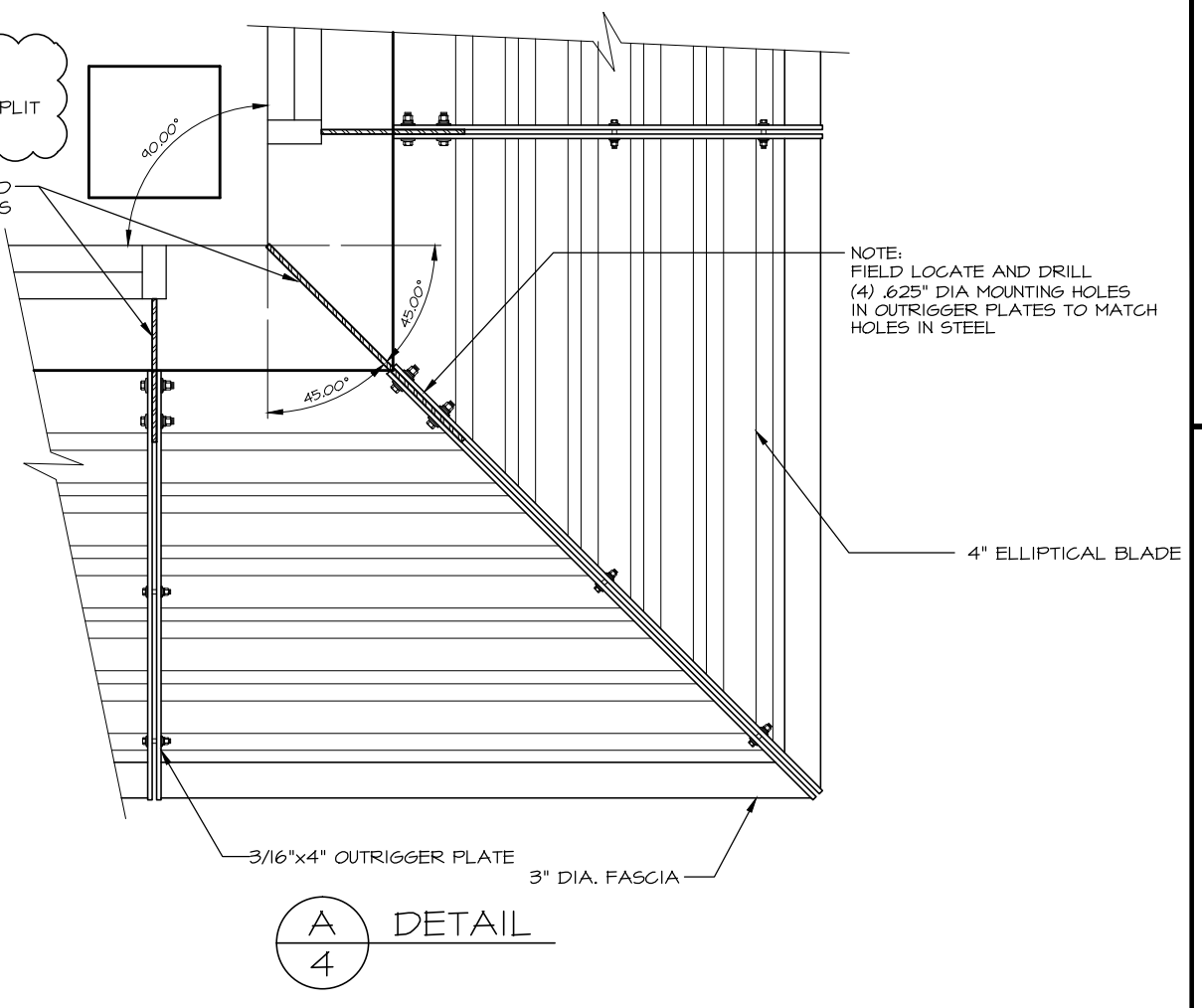
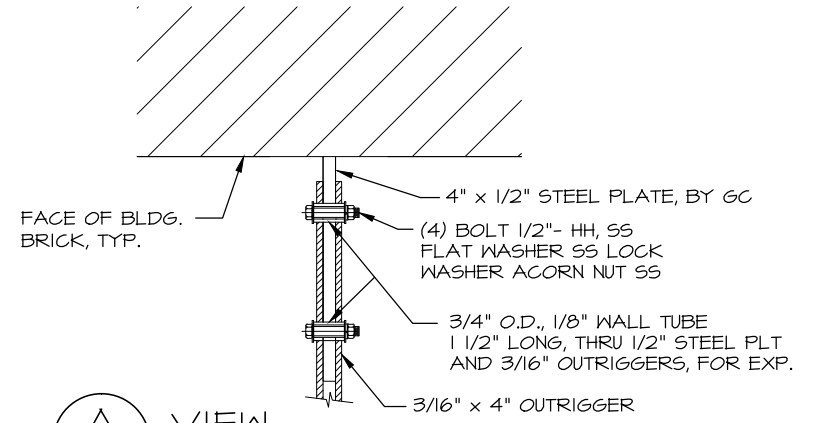
DATE: 9/22/05

JOB #
3694
SHT 3B0F 11



MATCH LINE SHEET 3694-5

INSTALLER NOTE:
CORNER KNIFE PLATES MAY
NEED MINOR ADJUSTMENT TO SPLIT
ANGLE EVENLY AT 45 DEGS.



A
4
DETAIL

SUNSCREEN PLAN

SCALE: 3/32"=1'-0" THIRD FLOOR

SEE VIEW A/A THIS SHEET
TYPICAL FOR ALL EXP. JTS.

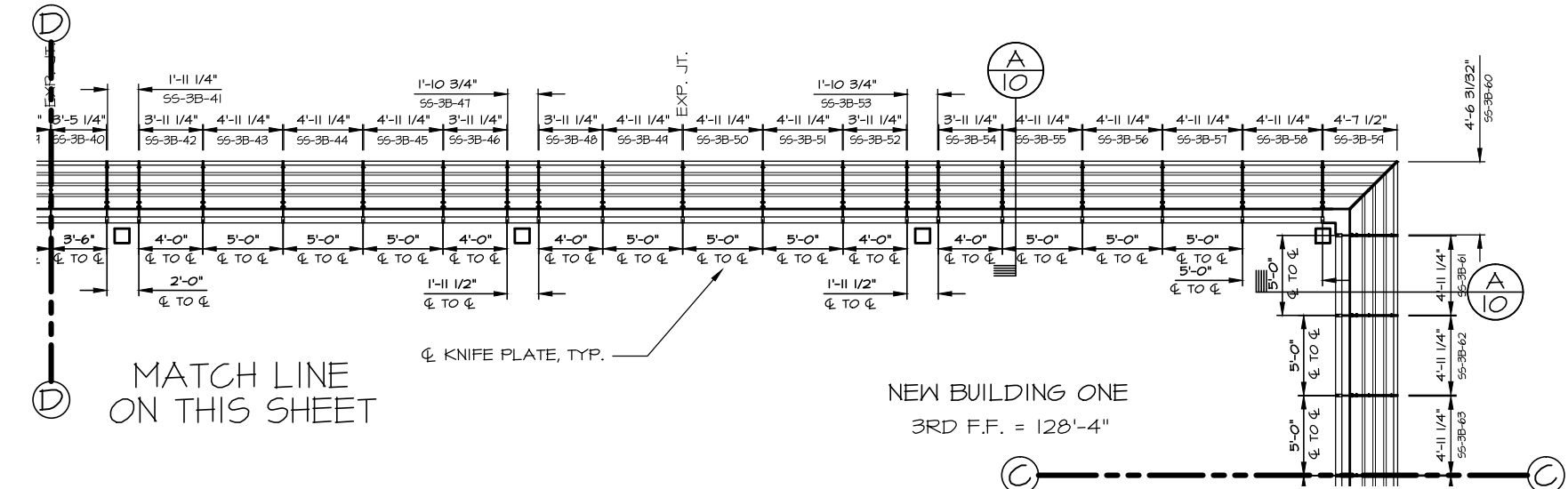
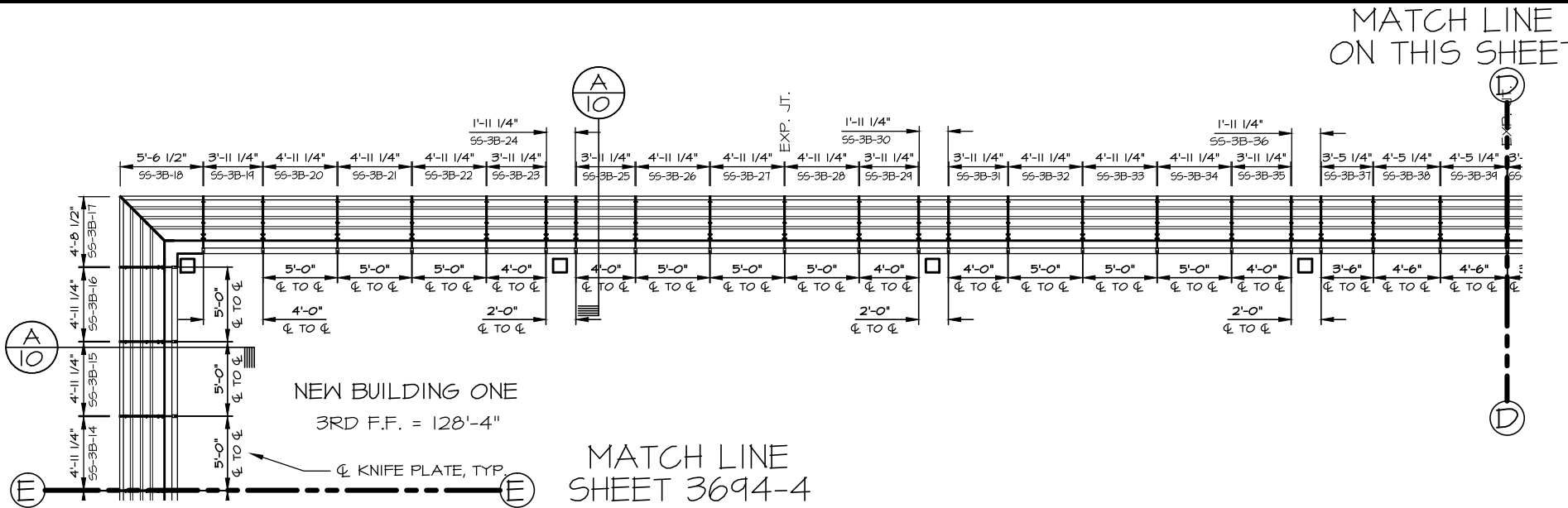
MATCH LINE SHEET 3694-5



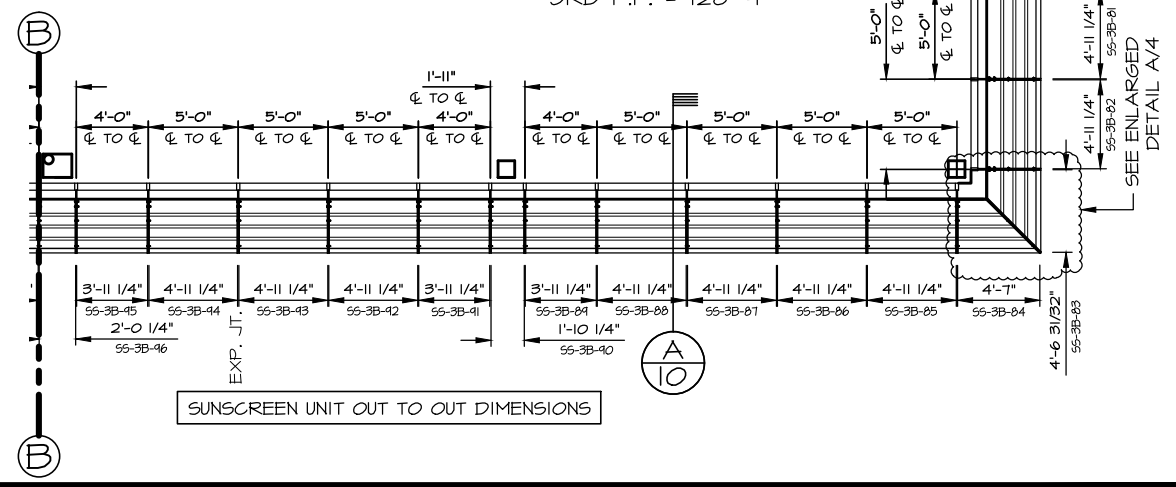
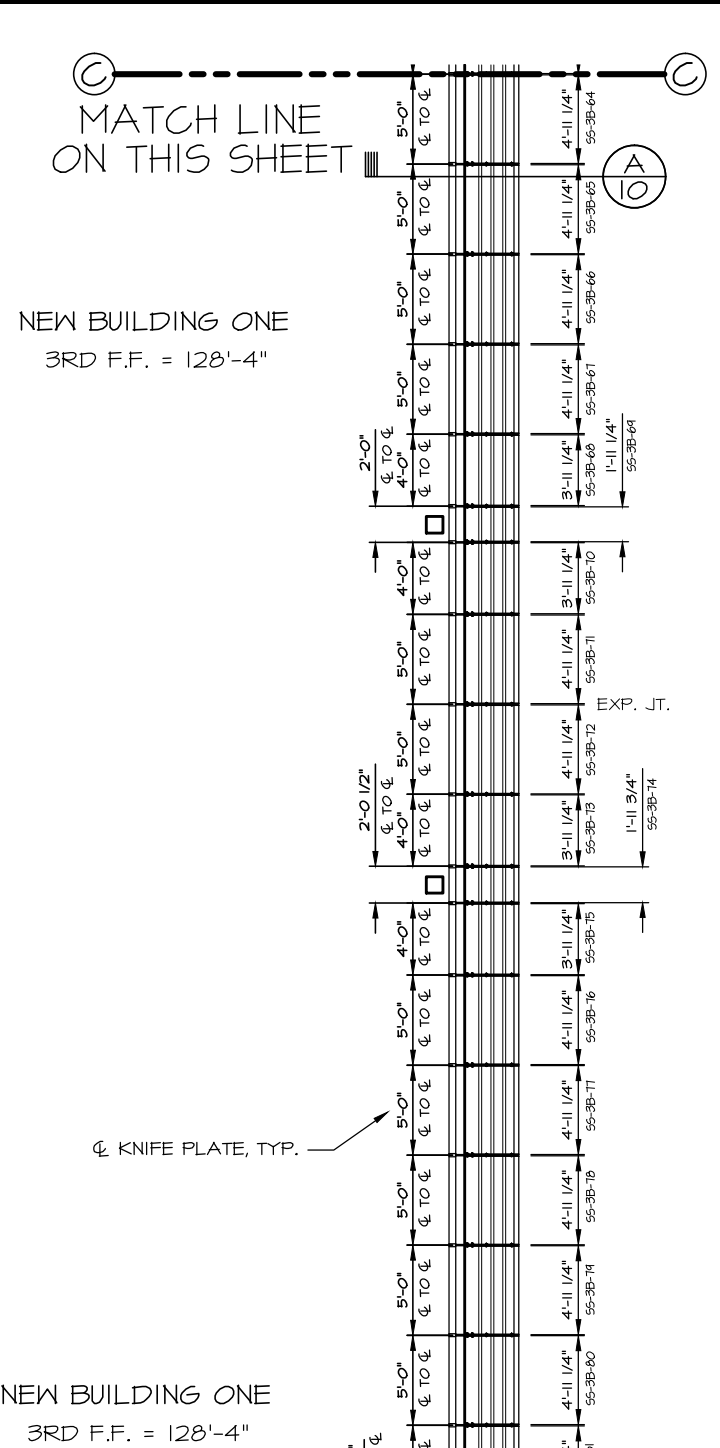
1477 ROSEDALE DRIVE PHONE (770) 434-2120
HIRAM, GA 30141 FAX (770) 434-2122

JOB NAME: QUANTICO CENTER BUILDING TWO
LOCATION: DUMFRIES, VA
ARCHITECT: MORGAN GICK & ASSOCIATES, PC
CONTRACTOR: JACK BAYS, INC.

REVISIONS	
11/18/05 LKA	
6/2/06 AM	
DRAWN: LKA	
SCALE: AS SHOWN	
DATE: 9/22/05	
JOB #	
3694	
SHT 4 OF 11	



SUNSCREEN PLAN
SCALE: 3/32" = 1'-0"
THIRD FLOOR



JOB NAME: QUANTICO CENTER BUILDING TWO
LOCATION: DUMFRIES, VA
ARCHITECT: MORGAN GICK & ASSOCIATES, PC
CONTRACTOR: JACK BAYS, INC.

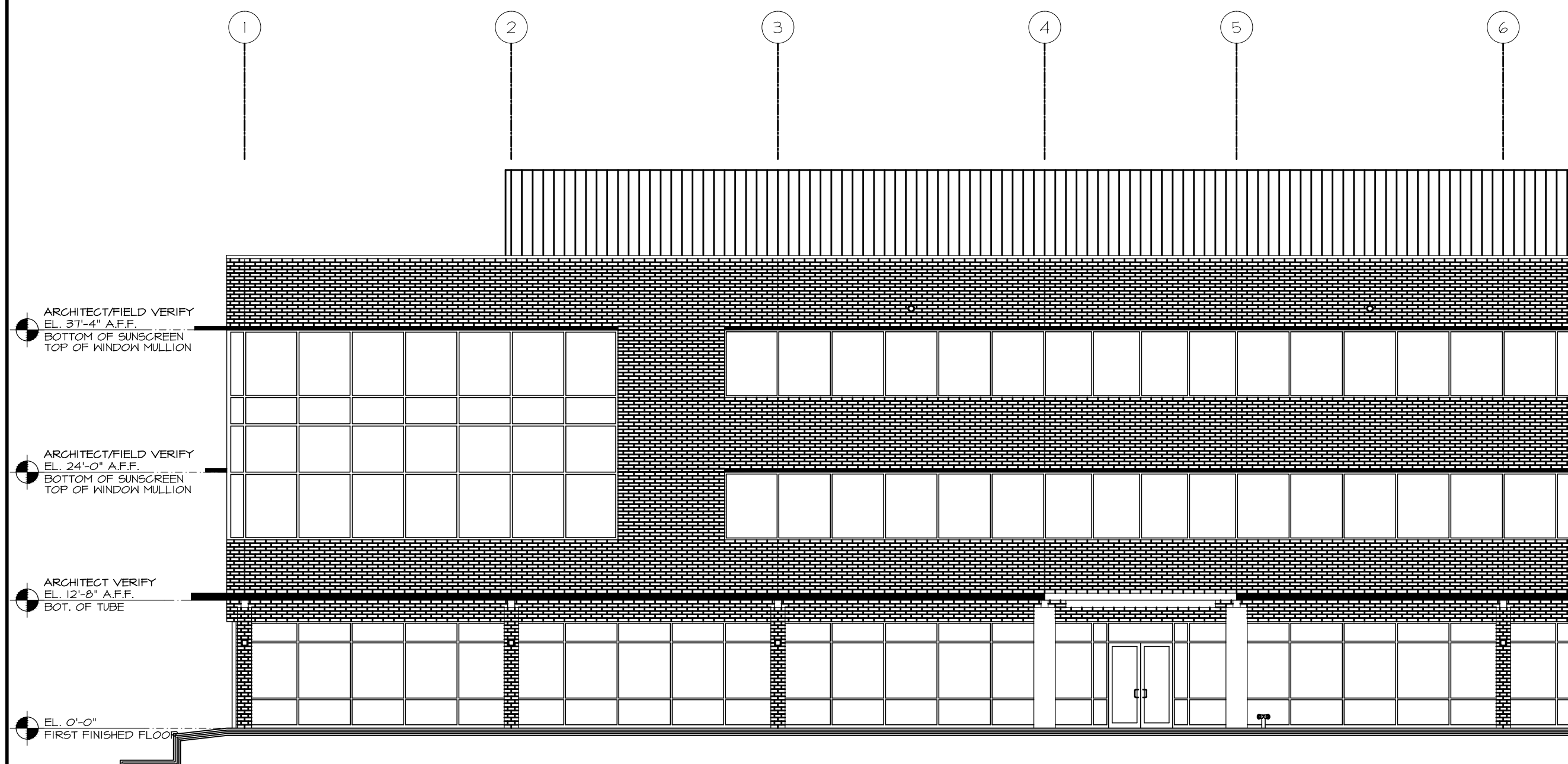
REVISIONS	
11/18/05 LKA	
6/2/06 AM	
DRAWN: LKA	
SCALE: AS SHOWN	
DATE: 9/22/05	
JOB #	
3694	
SHT 5 OF 11	



1477 ROSEDALE DRIVE HIRAM, GA 30141
 PHONE (770) 434-2120
 FAX (770) 434-2122

JOB NAME: QUANTICO CENTER BUILDING TWO
 LOCATION: DUMFRIES, VA

ARCHITECT: MORGAN GICK & ASSOCIATES, PC
 CONTRACTOR: JACK BAYS, INC.



(A) PARTIAL SOUTH
 (6) ELEVATION

NOTE:
 SOME BACKGROUND DETAILS
 OMITTED FOR CLARITY.

REVISIONS

DRAWN: LKA

SCALE: AS SHOWN

DATE: 9/22/05

JOB #
 3694
 SHT 6 OF 11



1477 ROSEDALE DRIVE PHONE (770) 494-2120
 HIRAM, GA 30141 FAX (770) 494-2122

JOB NAME: QUANTICO CENTER BUILDING TWO
 LOCATION: DUMFRIES, VA

ARCHITECT: MORGAN GICK & ASSOCIATES, PC
 CONTRACTOR: JACK BAYS, INC.

REVISIONS

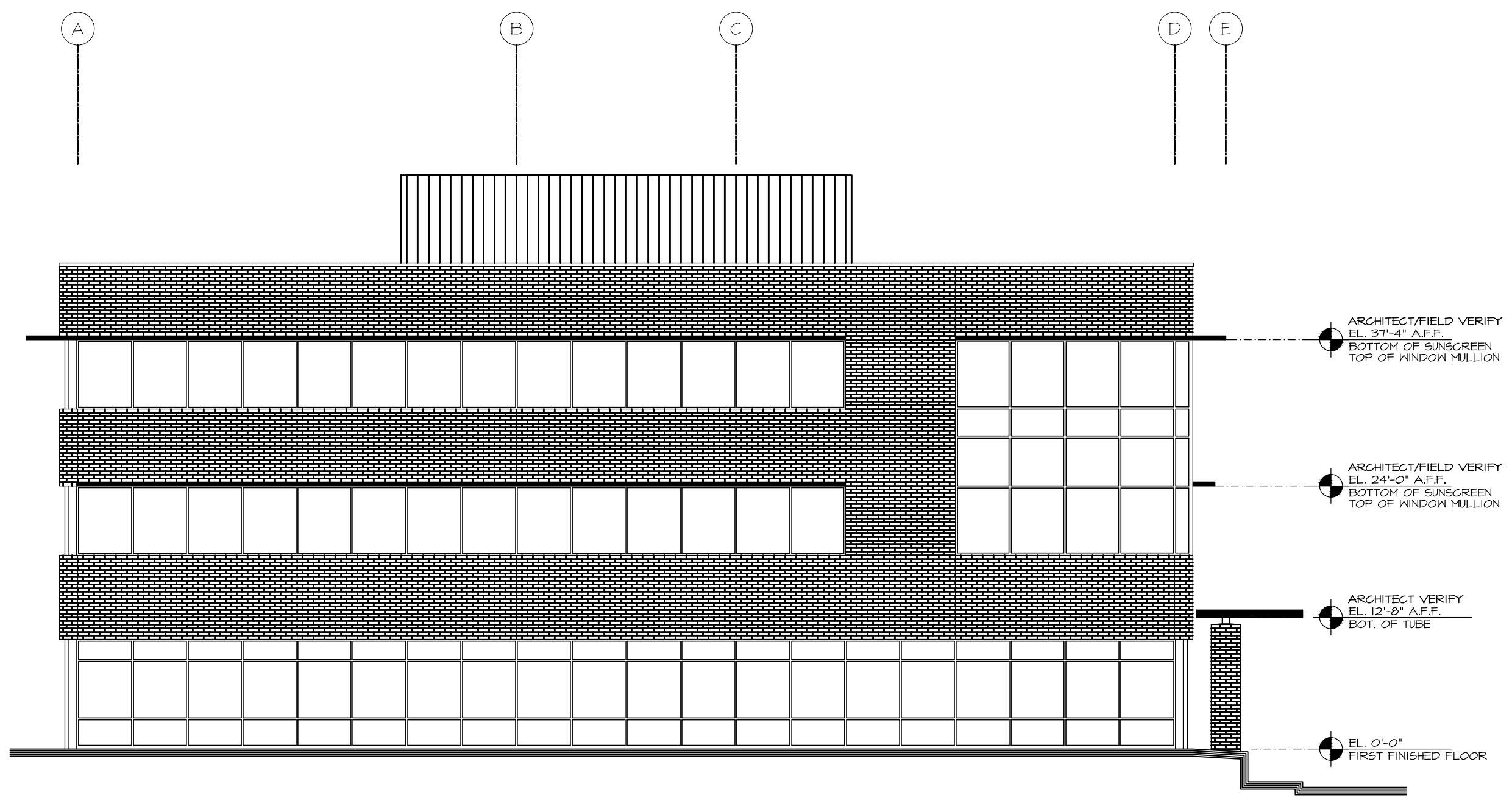
DRAWN: LKA

SCALE: AS SHOWN

DATE: 9/22/05

JOB #
3694

SHT 7 OF 11



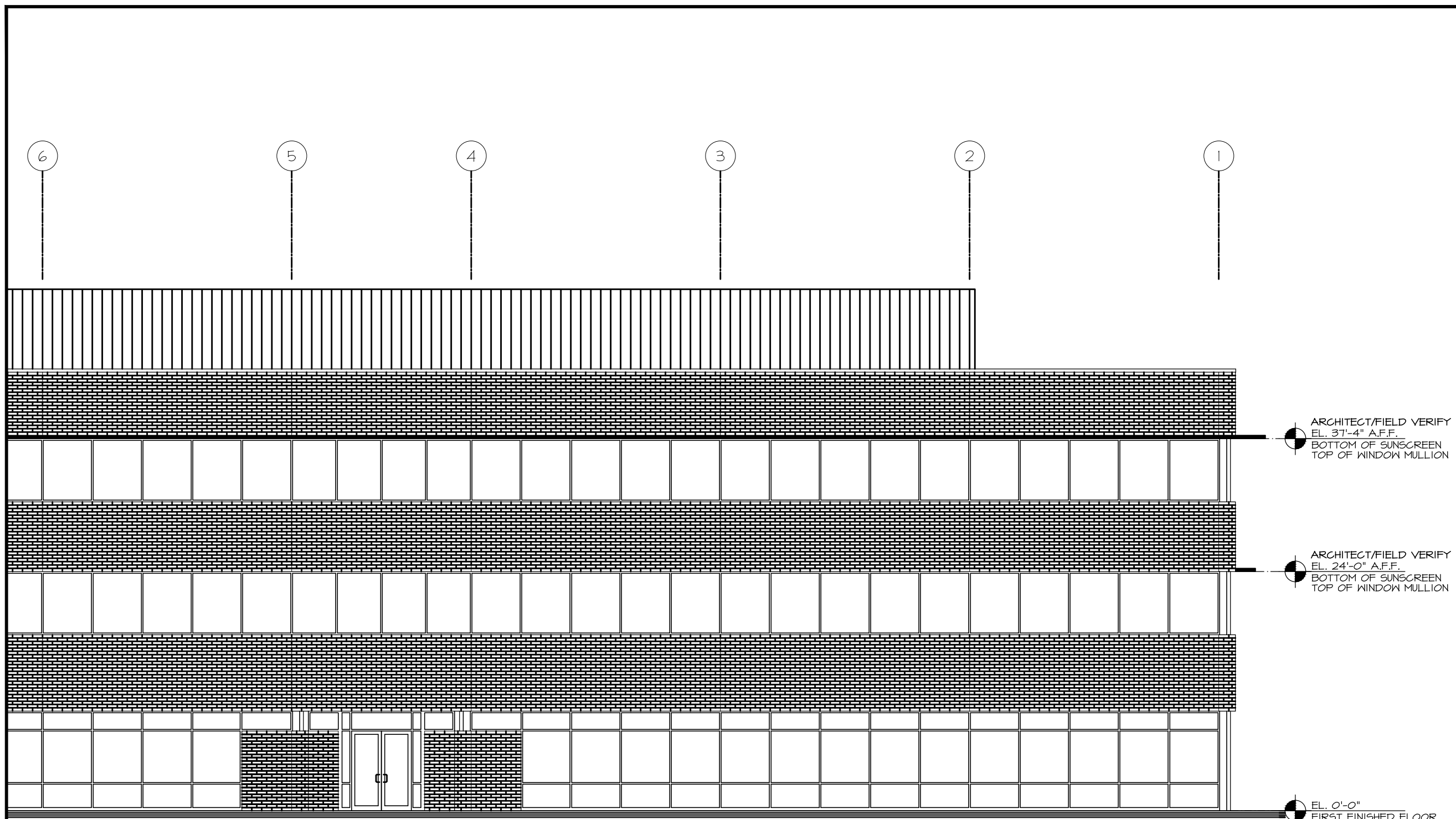
A WEST
7 ELEVATION

NOTE:
 SOME BACKGROUND DETAILS
 OMITTED FOR CLARITY.



peachtree
protective
covers

1477 ROSEDALE DRIVE PHONE (770) 434-2120
HIRAM, GA 30141 FAX (770) 434-2122



A PARTIAL NORTH
8 ELEVATION

NOTE:
SOME BACKGROUND DETAILS
OMITTED FOR CLARITY.

JOB NAME: QUANTICO CENTER BUILDING TWO

LOCATION: DUMFRIES, VA

ARCHITECT: MORGAN GICK & ASSOCIATES, PC

CONTRACTOR: JACK BAYS, INC.

REVISIONS

DRAWN: LKA

SCALE: AS SHOWN

DATE: 9/22/05

JOB #

3694

SHT 8 OF 11



peachtree
protective
covers

1477 ROSEDALE DRIVE PHONE (770) 494-2120
HIRAM, GA 30141 FAX (770) 494-2122

JOB NAME: QUANTICO CENTER BUILDING TWO

LOCATION: DUMFRIES, VA

ARCHITECT: MORGAN GICK & ASSOCIATES, PC

CONTRACTOR: JACK BAYS, INC.

REVISIONS

DRAWN: LKA

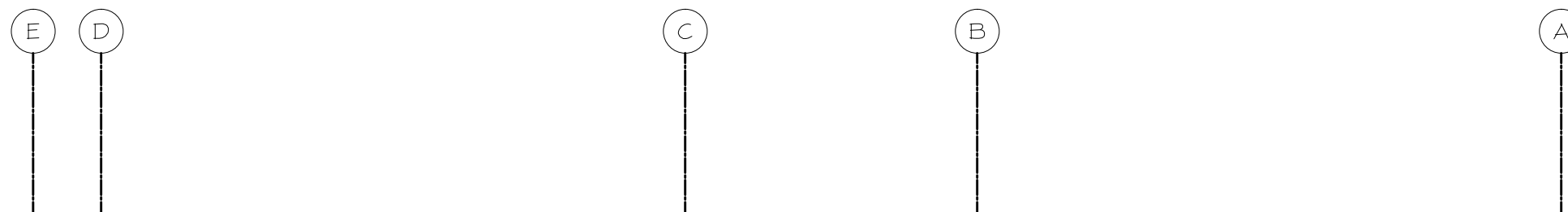
SCALE: AS SHOWN

DATE: 9/22/05

JOB #

3694

SHT 9 OF 11



ARCHITECT/FIELD VERIFY
EL. 37'-4" A.F.F.
BOTTOM OF SUNSCREEN
TOP OF WINDOW MULLION

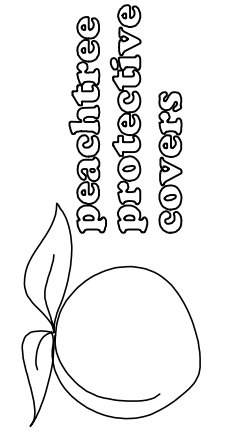
ARCHITECT/FIELD VERIFY
EL. 24'-0" A.F.F.
BOTTOM OF SUNSCREEN
TOP OF WINDOW MULLION

ARCHITECT VERIFY
EL. 12'-8" A.F.F.
BOT. OF TUBE

EL. 0'-0"
FIRST FINISHED FLOOR

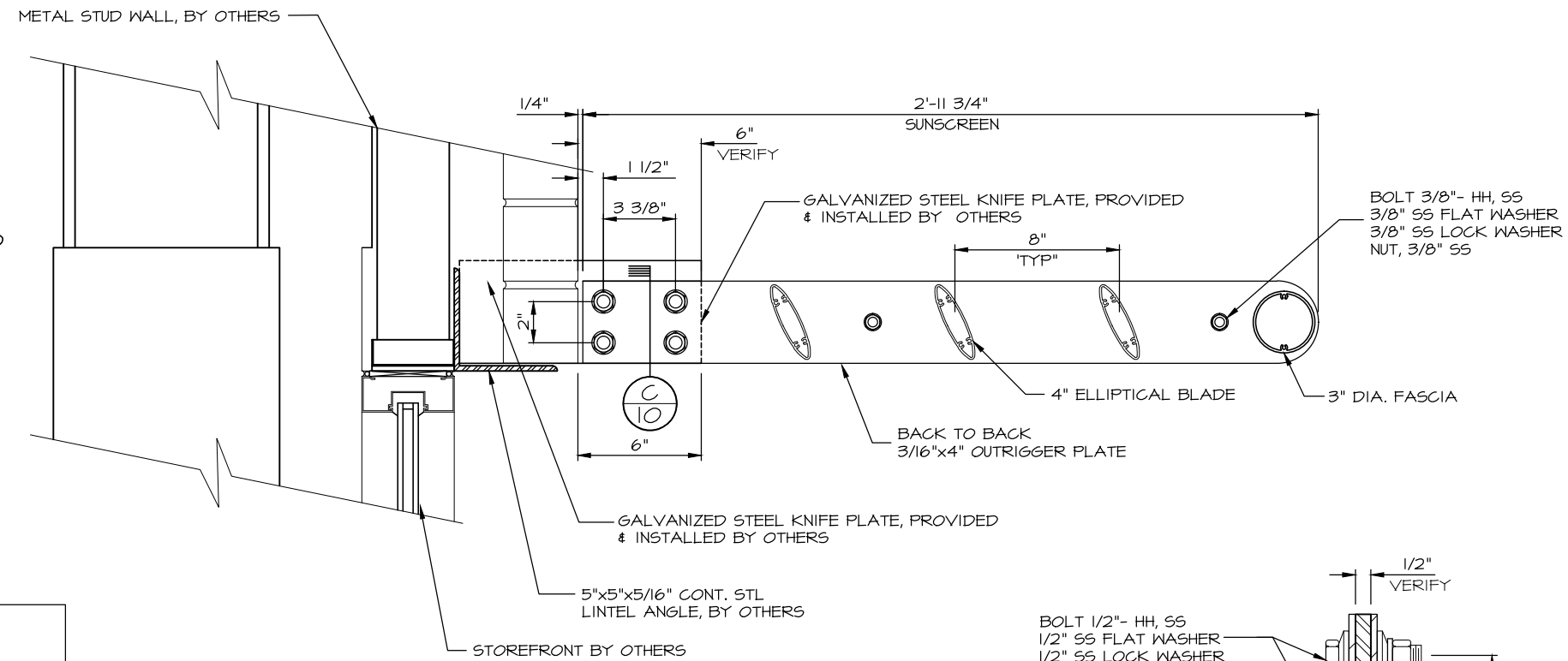
(A) EAST
(9) ELEVATION

NOTE:
SOME BACKGROUND DETAILS
OMITTED FOR CLARITY.



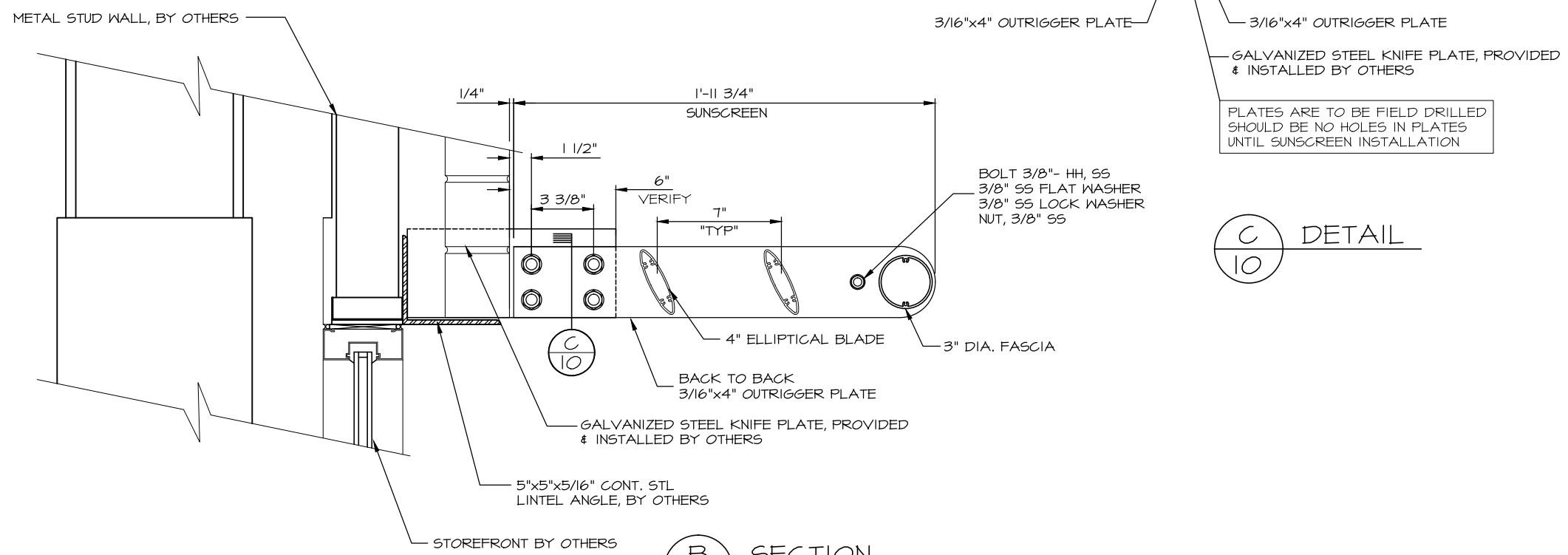
1477 ROSEDALE DRIVE PHONE (770) 494-2120
HIRAM, GA 30141 FAX (770) 494-2122

M = 518 ft-lb
345#

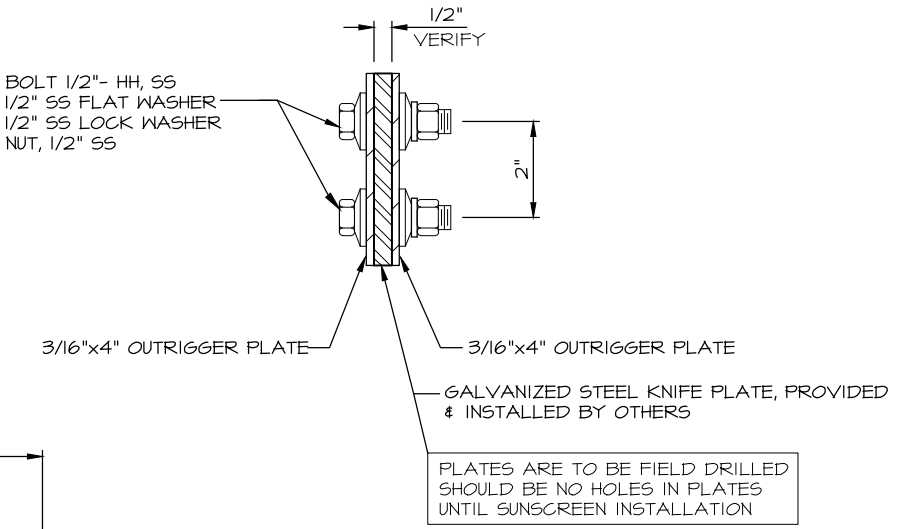


A SECTION

INSTALLER NOTE:
ISOLATION MATERIAL REQUIRED
BETWEEN STEEL & ALUMINUM
MATERIALS, TYP.
USE ACRYLIC SPRAY AND HORSESHOE
SPACERS AS REQ'D.



B SECTION



C DETAIL

JOB NAME: QUANTICO CENTER BUILDING TWO
LOCATION: DUMFRIES, VA
ARCHITECT: MORGAN GICK & ASSOCIATES, PC
CONTRACTOR: JACK BAYS, INC.

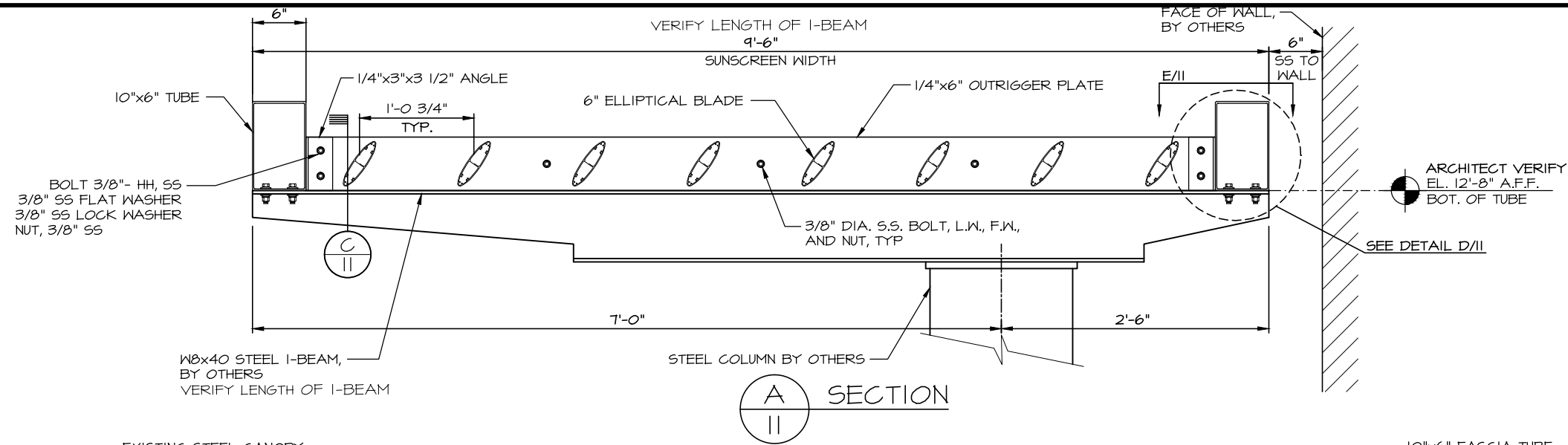
REVISIONS

DRAWN: LKA

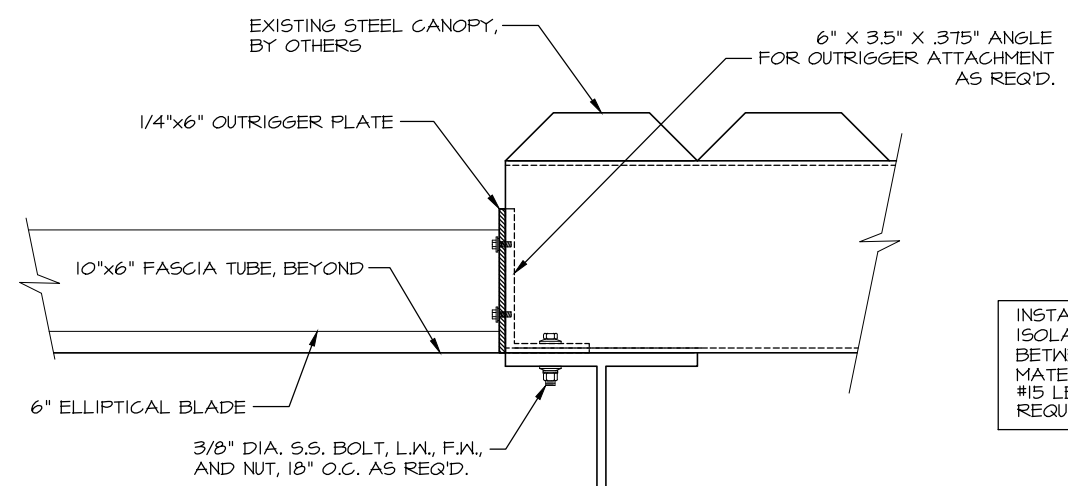
SCALE: AS SHOWN

DATE: 9/22/05

JOB #
3694
SHT 10 OF 11

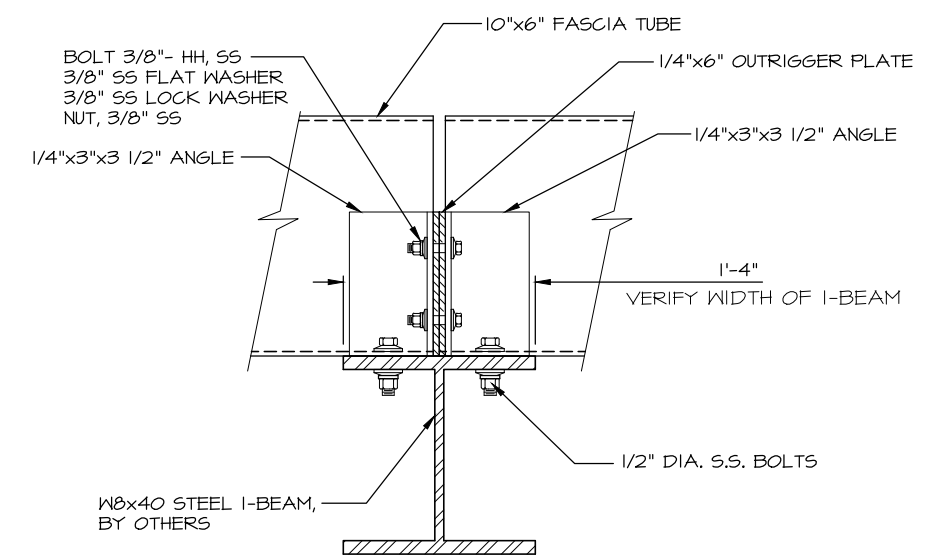


A
SECTION

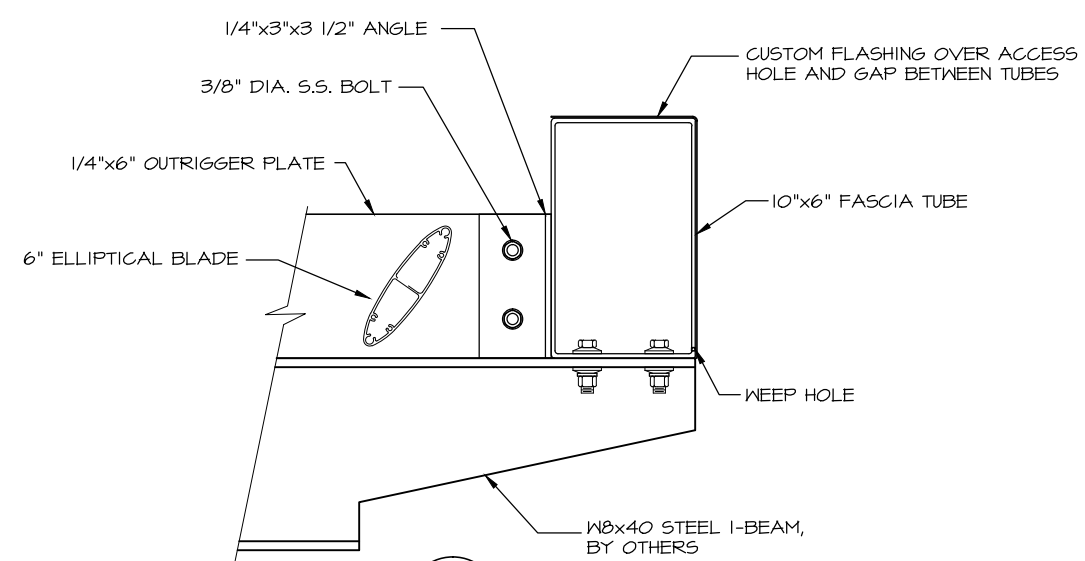


B
SECTION

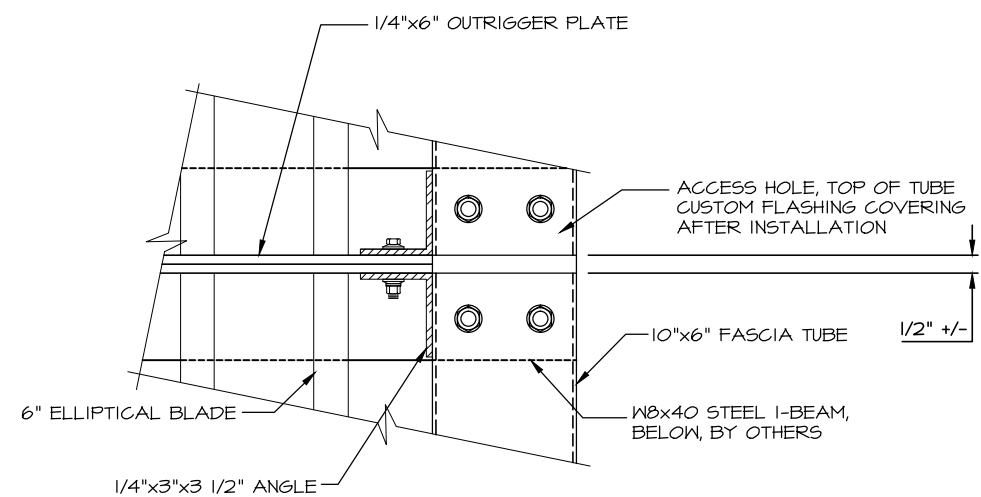
INSTALLER NOTE:
ISOLATION MATERIAL REQUIRED BETWEEN STEEL & ALUMINUM MATERIALS, TYP.
#15 LB. FELT ISOLATION MATERIAL REQUIRED BETWEEN DISSIMILAR MATERIALS.



C
DETAIL



D
DETAIL



E
DETAIL



1477 ROSEDALE DRIVE PHONE (770) 434-2120
HIRAM, GA 30141 FAX (770) 434-2122

JOB NAME: QUANTICO CENTER BUILDING TWO
LOCATION: DUMFRIES, VA
ARCHITECT: MORGAN GICK & ASSOCIATES, PC
CONTRACTOR: JACK BAYS, INC.

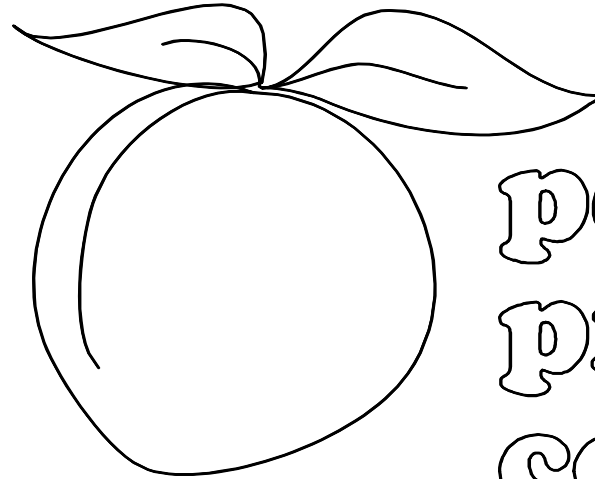
REVISIONS	

DRAWN: LKA
SCALE: AS SHOWN
DATE: 9/22/05
JOB #
3694
SHT 11 OF 11

REVISION HISTORY

DATE	DESCRIPTION
04/11/08	1ST SUBMITTAL
7/28/08	INITIAL F&F
10/23/08	FINAL F&F

JOB # 4364



peachtree
protective
covers

QUANTICO CENTER BUILDING 3

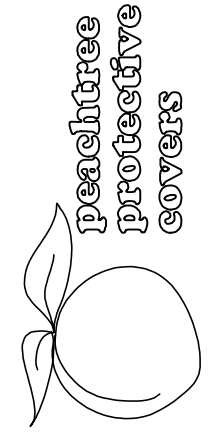
QUANTICO, VA

BY

MORGAN GICK & ASSOCIATES, PC

OCTOBER 23, 2008

1477 ROSEDALE DRIVE
HIRAM, GA 30141
(770) 439-2120
fax (770) 439-2122



1477 ROSEDALE DRIVE PHONE (770) 494-2120
HIRAM, GA 30141 FAX (770) 494-2122

JOB NAME: QUANTICO CENTER BUILDING 3
LOCATION: QUANTICO, VA
ARCHITECT: MORGAN GICK & ASSOCIATES, PC
CONTRACTOR: VANTAGE CONSTRUCTION

REVISIONS

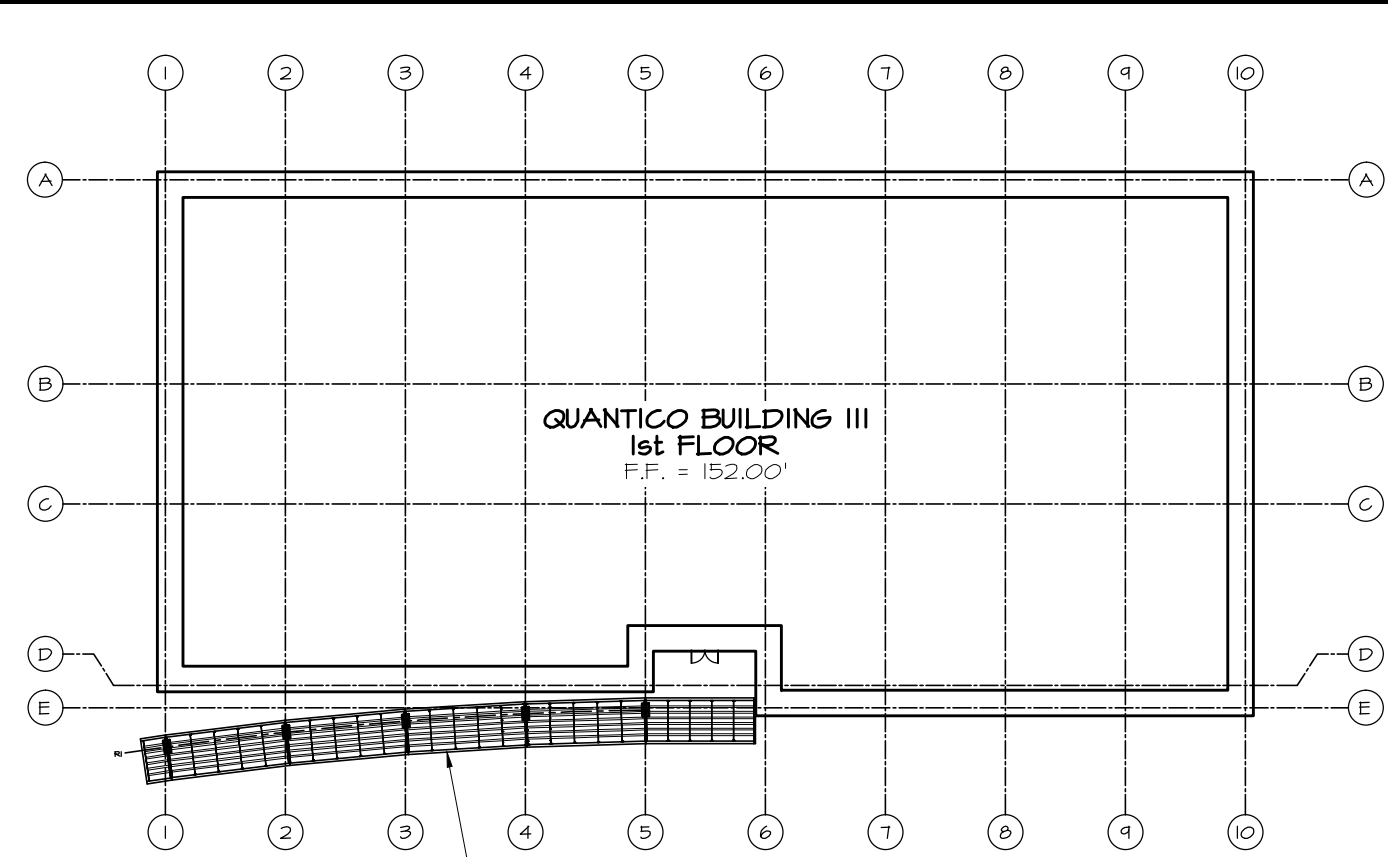
JTG 7/28/08	

DRAWN: JTG

SCALE: AS SHOWN

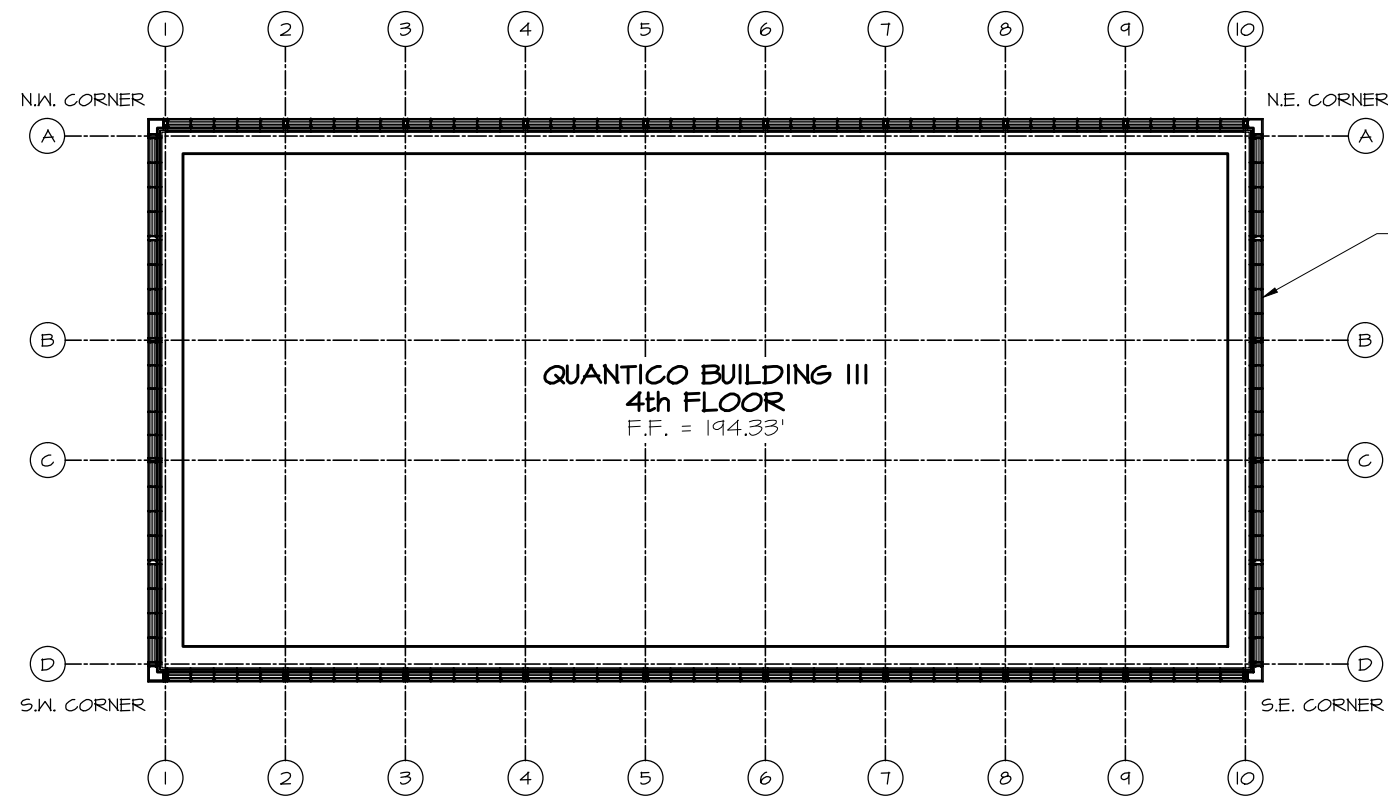
DATE: 04/11/08

JOB #
4364
SHT 1 OF 13



QUANTICO BUILDING III
1st FLOOR
F.F. = 152.00'

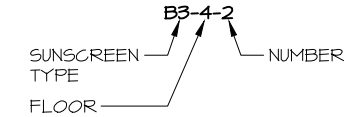
SUNSCREEN TYPE A



QUANTICO BUILDING III
4th FLOOR
F.F. = 194.33'

SUNSCREEN TYPE B
(SURROUNDING ALL 4
SIDES OF BUILDING)

LEGEND



SUNSCREENS

TYPE	SIZE	LOCATION	QUANTITIES
A	SEE PLAN	1st FLOOR	1
B1	3'-2 3/8" X 2'-0"	4th FLOOR	8
B2	9 1/4" X 2'-0"	4th FLOOR	32
B3	4'-9 1/4" X 2'-0"	4th FLOOR	100
B4	5'-0 1/2" X 2'-0"	4th FLOOR	32

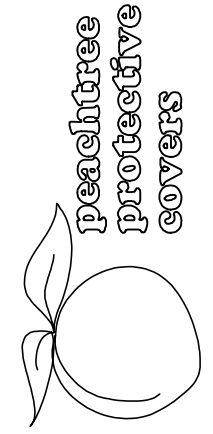
FINISH SCHEDULE

DESCRIPTION	FINISH	COLOR
3/8"x6" BAR OUTRIGGER	ANODIZED	CLEAR, A41
3/8"x4" BAR OUTRIGGER	ANODIZED	CLEAR, A41
6" ELLIPTICAL BLADE	ANODIZED	CLEAR, A41
4" ELLIPTICAL BLADE	ANODIZED	CLEAR, A41
3" DIA. FASCIA TUBE	ANODIZED	CLEAR, A41
1/4"x3"x3" ANGLE	ANODIZED	CLEAR, A41
3/8"x3 1/2"x6" ANGLE	ANODIZED	CLEAR, A41
10"x6" FASCIA TUBE	ANODIZED	CLEAR, A41

KEY PLAN

N.T.S.

Drawing: 4364-FF.dwg Layout: 4364-IR1
Plotted: Mar 10, 2015 - 6:57am By: lbrown

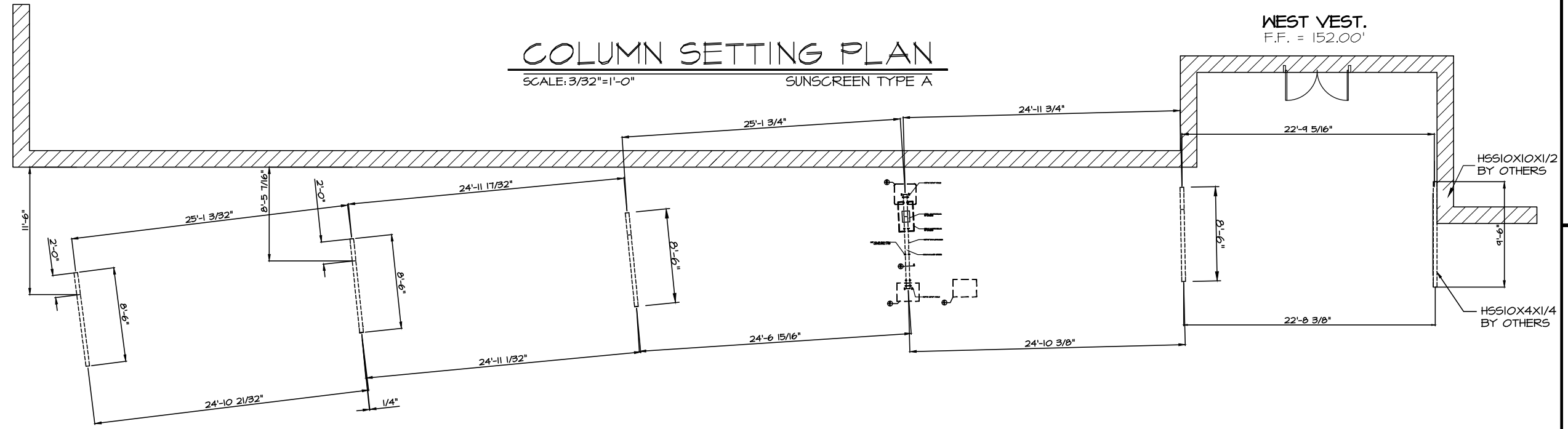


1477 ROSEDALE DRIVE PHONE (770) 494-2120
 HIRAM, GA 30141 FAX (770) 494-2122

JOB NAME: QUANTICO CENTER BUILDING 3
 LOCATION: QUANTICO, VA
 ARCHITECT: MORGAN GICK & ASSOCIATES, PC
 CONTRACTOR: VANTAGE CONSTRUCTION

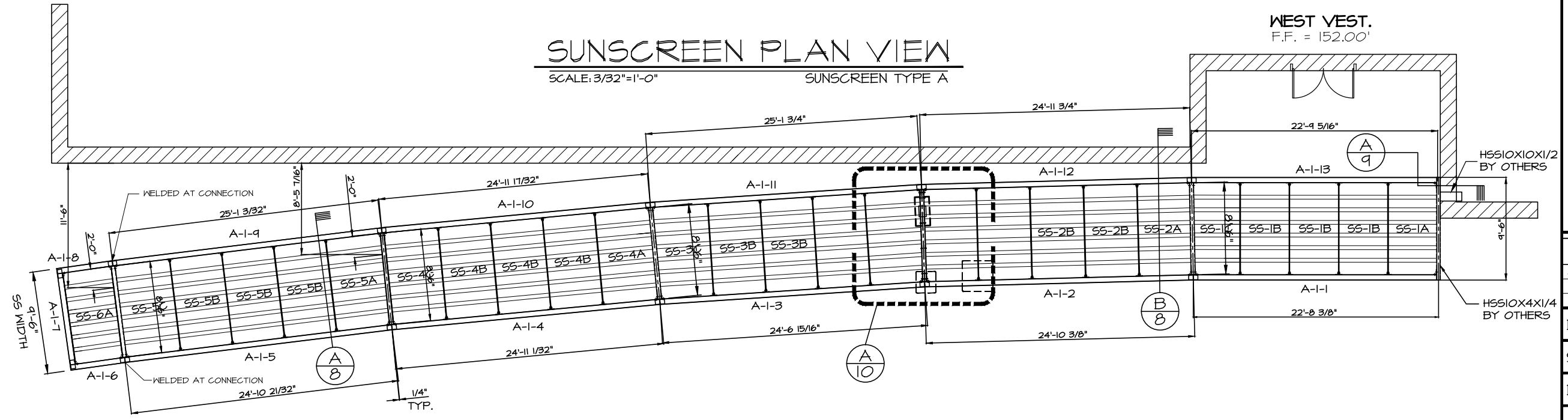
COLUMN SETTING PLAN

SCALE: 3/32"=1'-0" SUNSCREEN TYPE A



SUNSCREEN PLAN VIEW

SCALE: 3/32"=1'-0" SUNSCREEN TYPE A



REVISIONS

JTG 7/28/08	

DRAWN: JTG

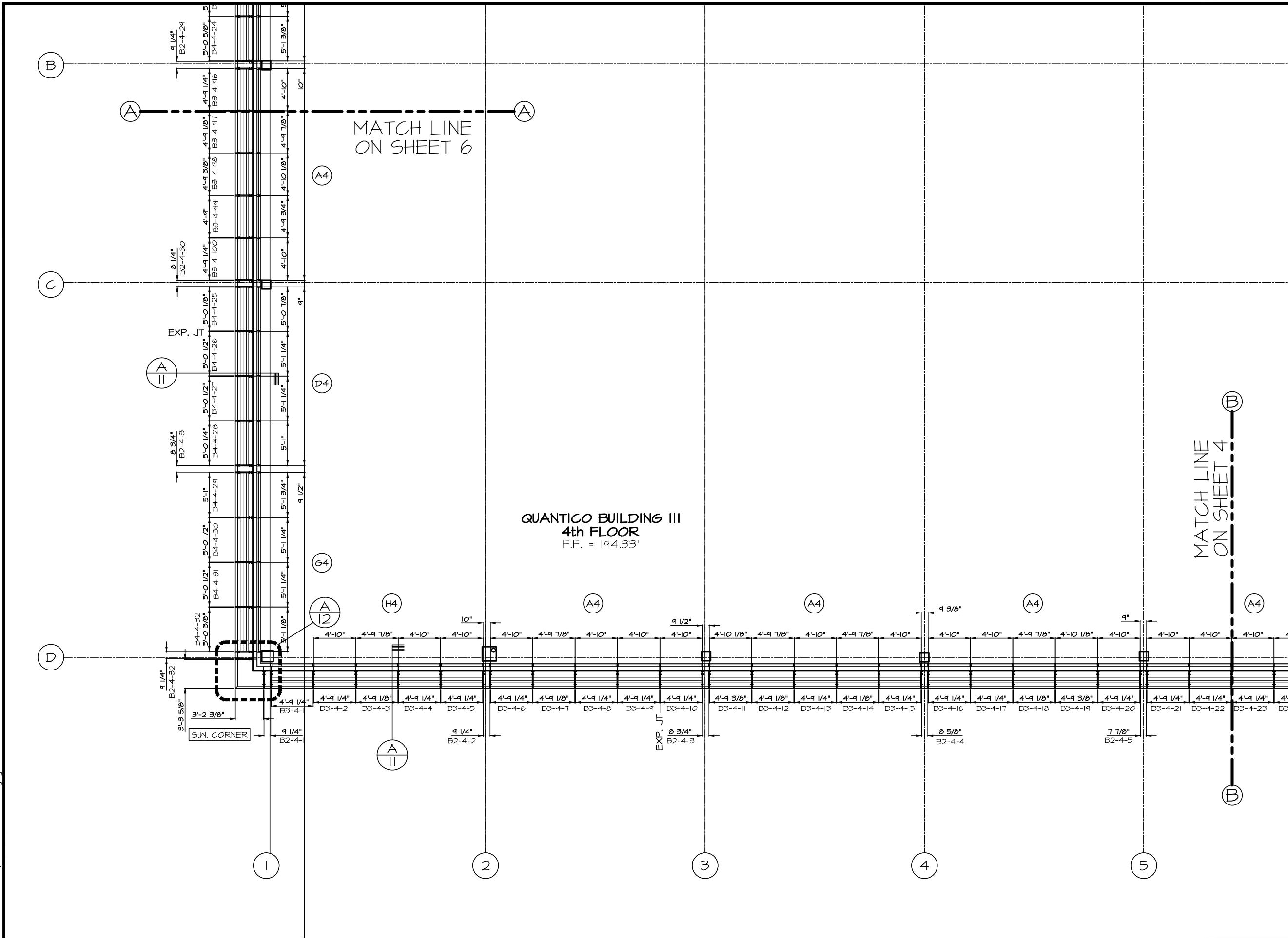
SCALE: AS SHOWN

DATE: 04/11/08

JOB #
4364
 SHT 2 OF 13

Drawing: 4364-FF.dwg Layout: 4364-2R2
 Plotted: Mar 10, 2015 - 6:57am By: lbrown

Drawing: 4364-FF.dwg Layout: 4364-3
 Plotted: Mar 10, 2015 - 6:57am By: brown

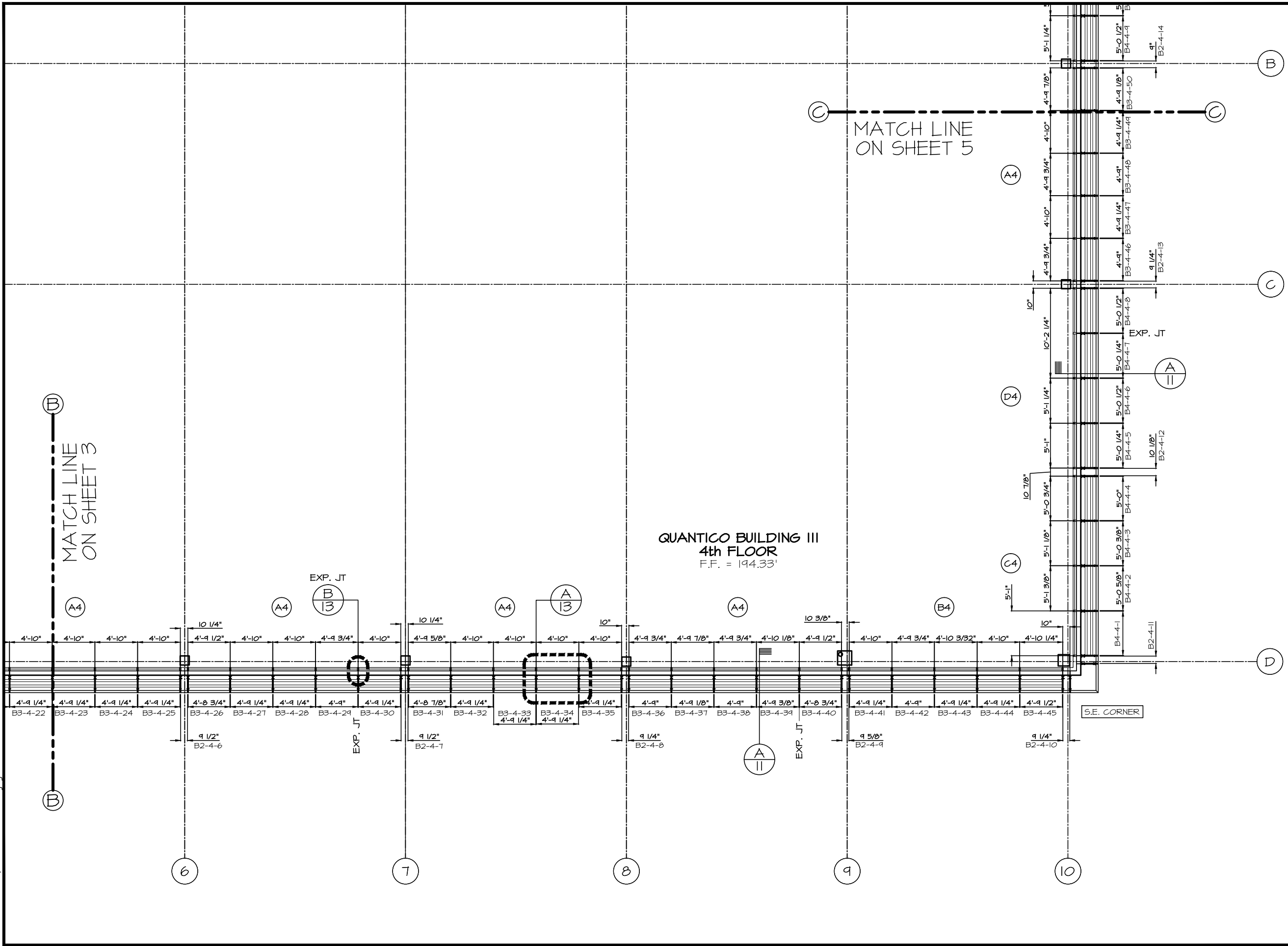


JOB NAME: QUANTICO CENTER BUILDING 3
 LOCATION: QUANTICO, VA
 ARCHITECT: MORGAN GICK & ASSOCIATES, PC
 CONTRACTOR: VANTAGE CONSTRUCTION

REVISIONS	

DRAWN: JTG
 SCALE: AS SHOWN
 DATE: 04/11/08
 JOB #
4364
 SHT 3 OF 13

Drawing: 4364-FF.dwg Layout: 4364-4
 Plotted: Mar 10, 2015 - 6:57am By: lbrown

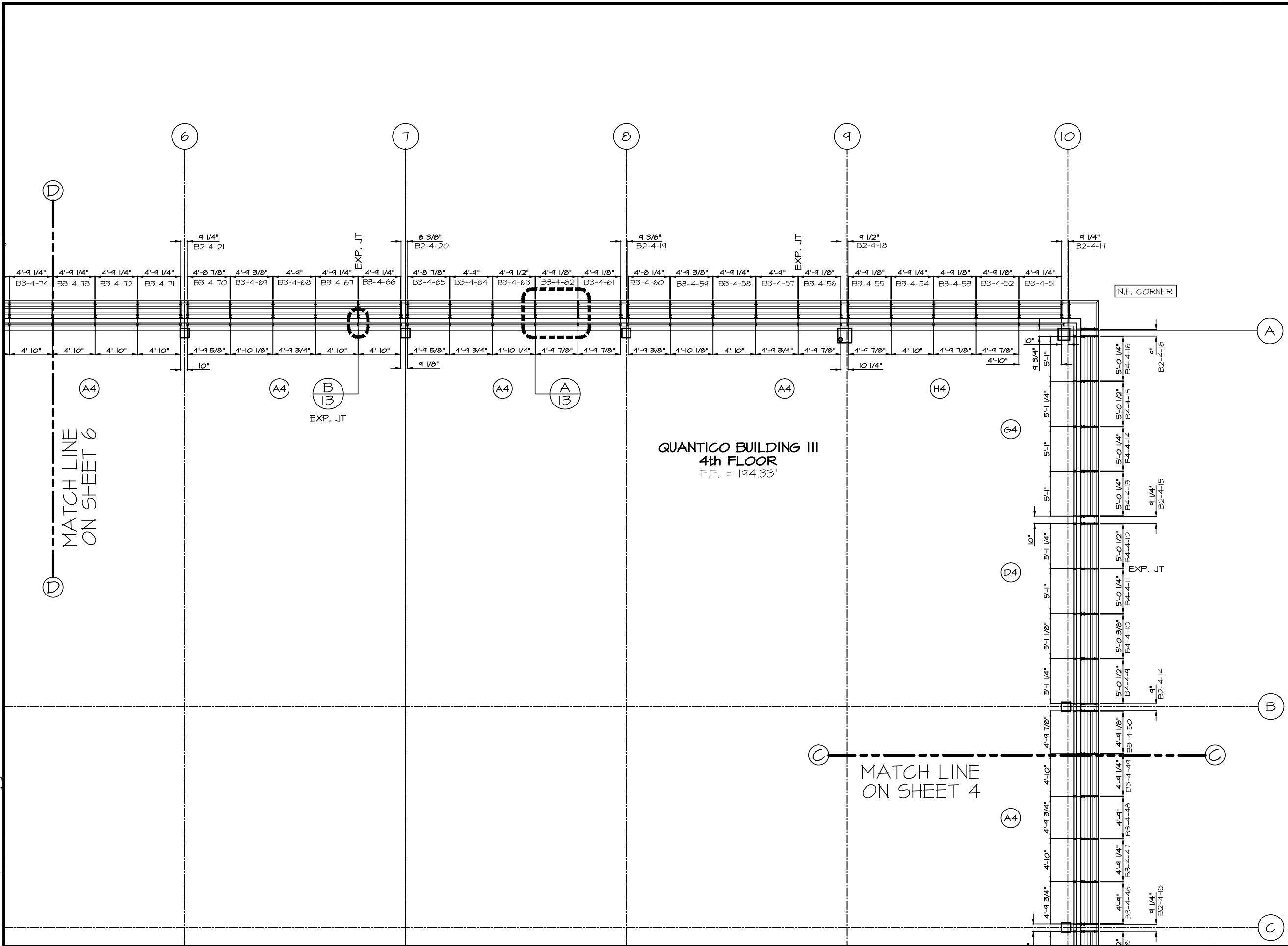


JOB NAME: QUANTICO CENTER BUILDING 3
 LOCATION: QUANTICO, VA
 ARCHITECT: MORGAN GICK & ASSOCIATES, PC
 CONTRACTOR: VANTAGE CONSTRUCTION

REVISIONS	

DRAWN: JTG
 SCALE: AS SHOWN
 DATE: 04/11/08
 JOB #
4364
 SHT 4 OF 13

Drawing: 4364-FF.dwg Layout: 4364-5
 Plotted: Mar 10, 2015 - 6:58am By: Brown



QUANTICO BUILDING III
 4th FLOOR
 F.F. = 144.33'



1477 ROSEDALE DRIVE PHONE (770) 434-2120
 HIRAM, GA 30141 FAX (770) 434-2122

JOB NAME: QUANTICO CENTER BUILDING 3

LOCATION: QUANTICO, VA

ARCHITECT: MORGAN GICK & ASSOCIATES, PC

CONTRACTOR: VANTAGE CONSTRUCTION

REVISIONS

NO.	DESCRIPTION

DRAWN: JTG

SCALE: AS SHOWN

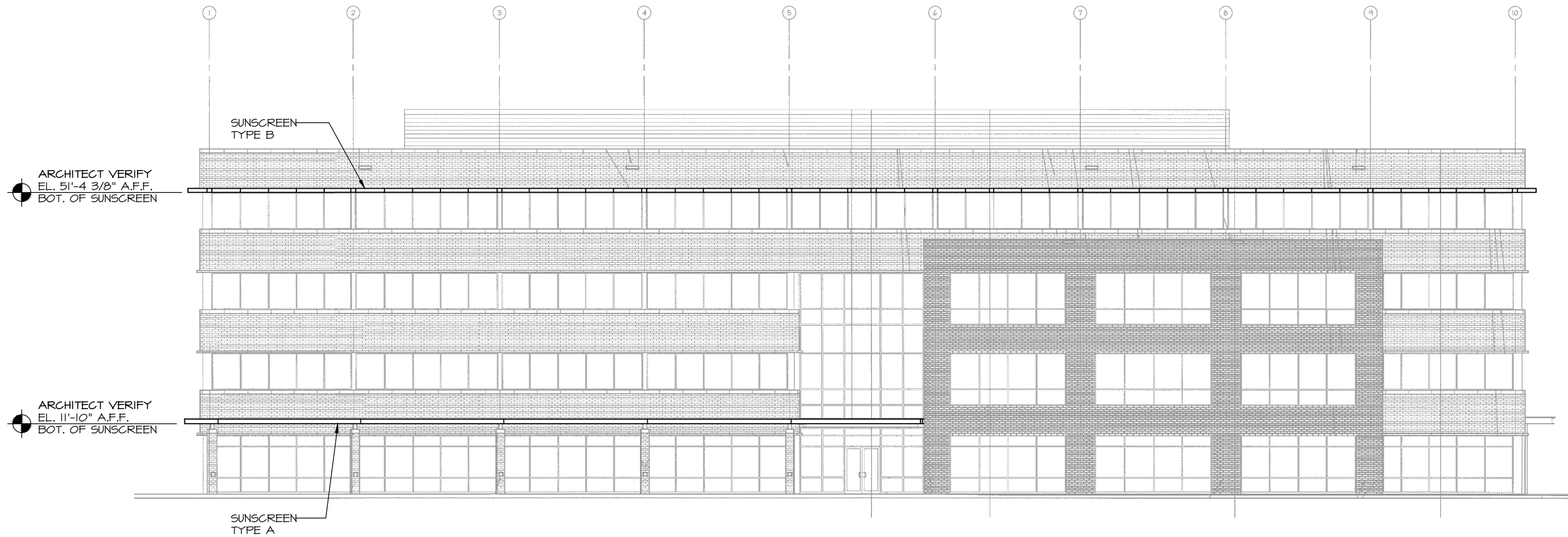
DATE: 04/11/08

JOB #

4364

SHT 5 OF 13

Drawing: 4364-FF.dwg Layout: 4364-TRI
 Plotted: Mar 10, 2015 - 6:58am By: Brown



(A)
7 ELEVATION



1477 ROSEDALE DRIVE PHONE (770) 494-2120
 HIRAM, GA 30141 FAX (770) 494-2122

JOB NAME: QUANTICO CENTER BUILDING 3

LOCATION: QUANTICO, VA

ARCHITECT: MORGAN GICK & ASSOCIATES, PC

CONTRACTOR: VANTAGE CONSTRUCTION

REVISIONS

JTG 7/28/08	

DRAWN: JTG

SCALE: AS SHOWN

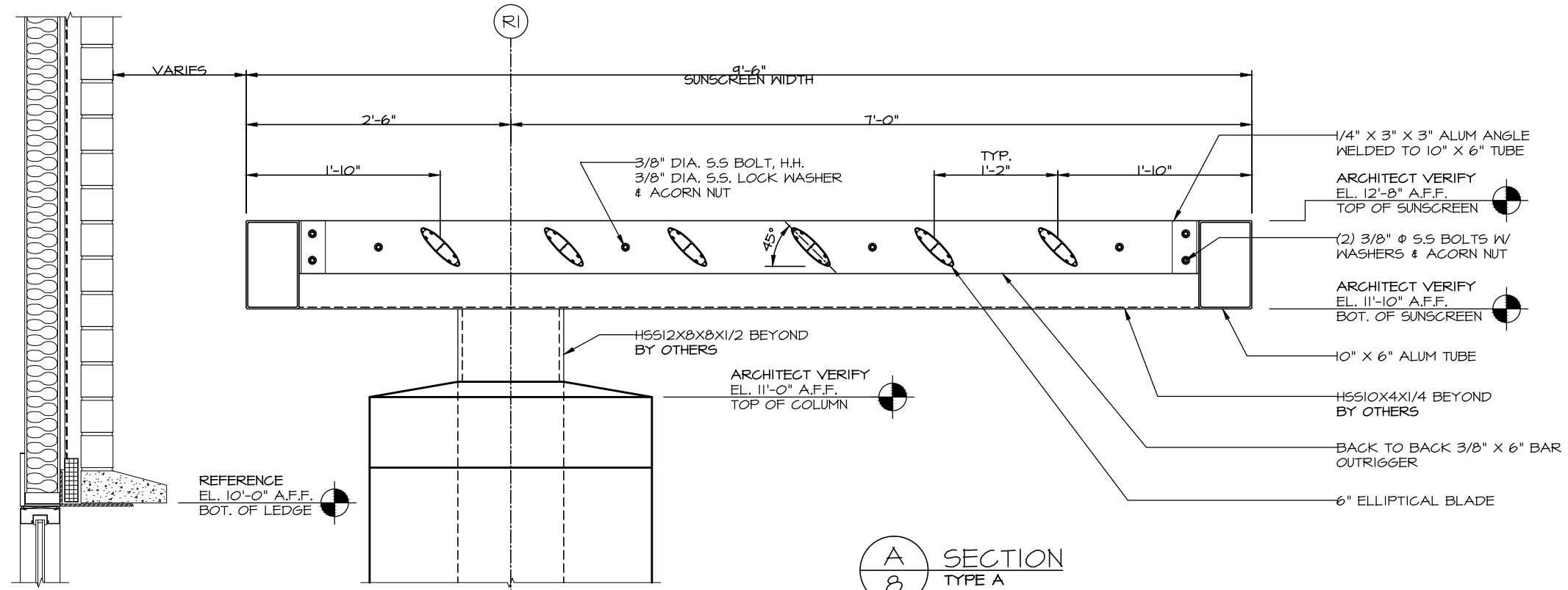
DATE: 04/11/08

JOB #

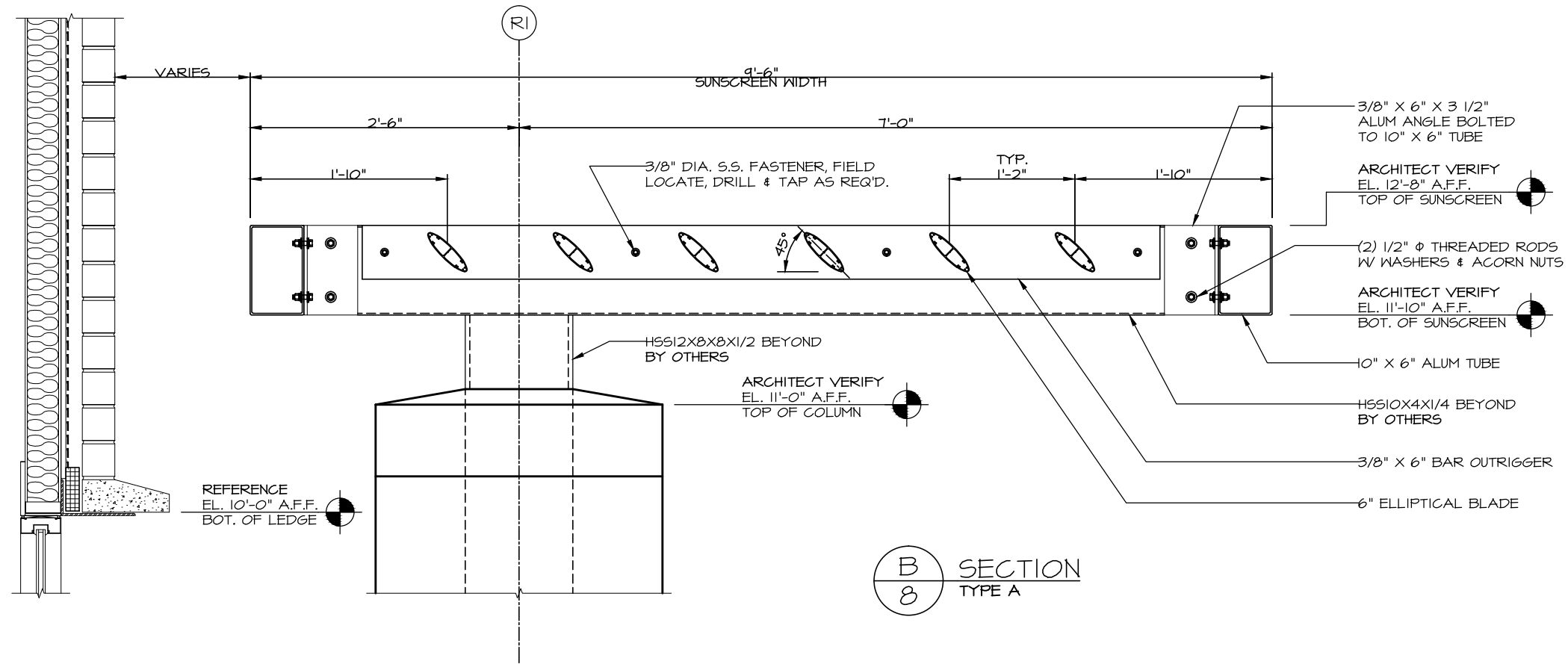
4364

SHT 7 OF 13

Drawing: 4364-FF.dwg Layout: 4364-8
 Plotted: Mar 10, 2015 - 6:58am By: Brown



A
8 SECTION
TYPE A



B
8 SECTION
TYPE A



1477 ROSEDALE DRIVE PHONE (770) 494-2120
 HIRAM, GA 30141 FAX (770) 494-2122

JOB NAME: QUANTICO CENTER BUILDING 3

LOCATION: QUANTICO, VA

ARCHITECT: MORGAN GICK & ASSOCIATES, PC

CONTRACTOR: VANTAGE CONSTRUCTION

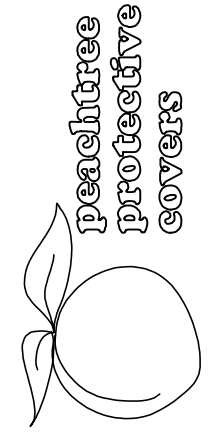
REVISIONS	

DRAWN: JTG

SCALE: AS SHOWN

DATE: 04/11/08

JOB #
4364
 SHT 8 OF 13



1477 ROSEDALE DRIVE PHONE (770) 434-2120
 HIRAM, GA 30141 FAX (770) 434-2122

JOB NAME: QUANTICO CENTER BUILDING 3

LOCATION: QUANTICO, VA

ARCHITECT: MORGAN GICK & ASSOCIATES, PC

CONTRACTOR: VANTAGE CONSTRUCTION

REVISIONS

DRAWN: JTG

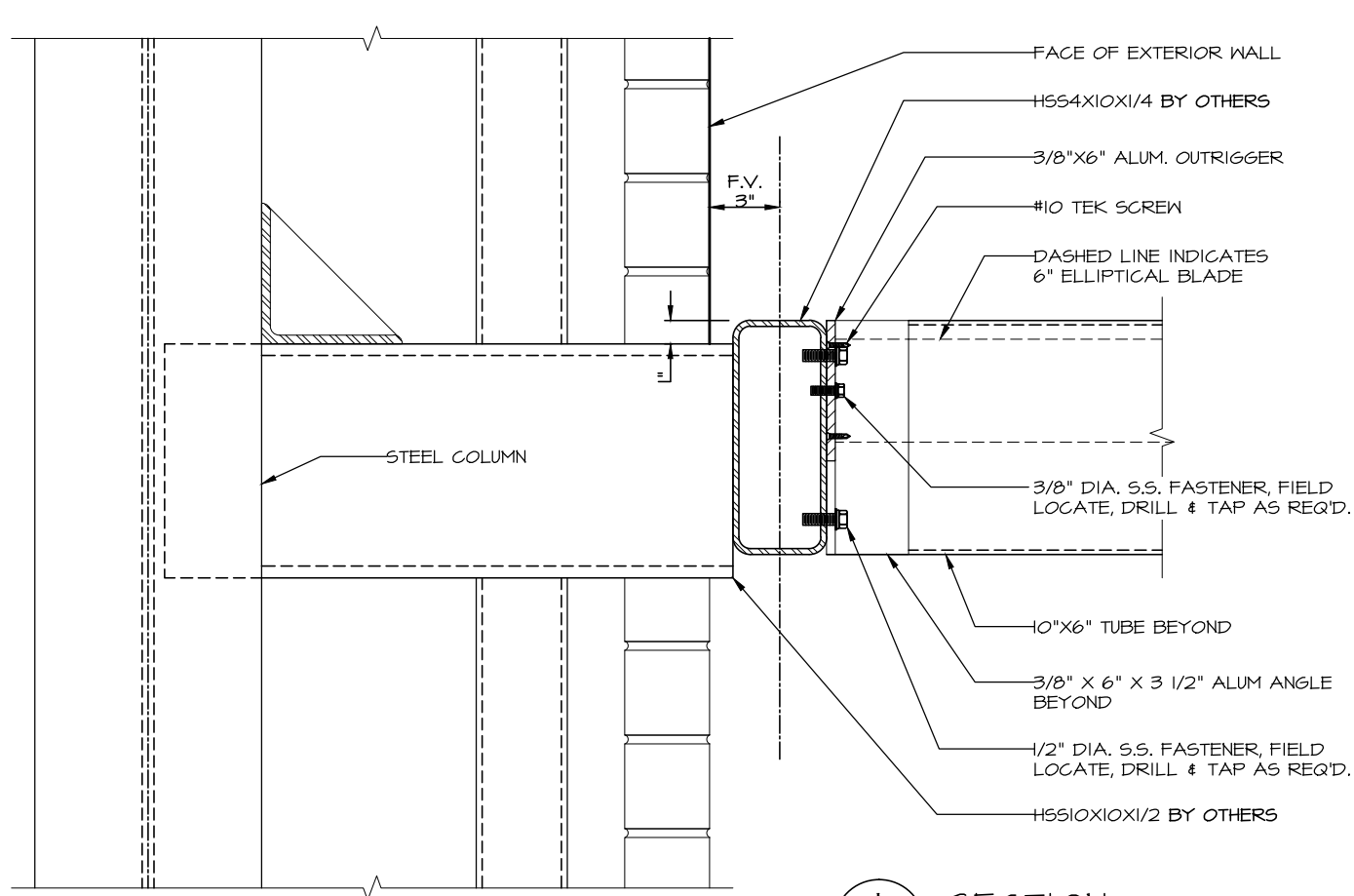
SCALE: AS SHOWN

DATE: 04/11/08

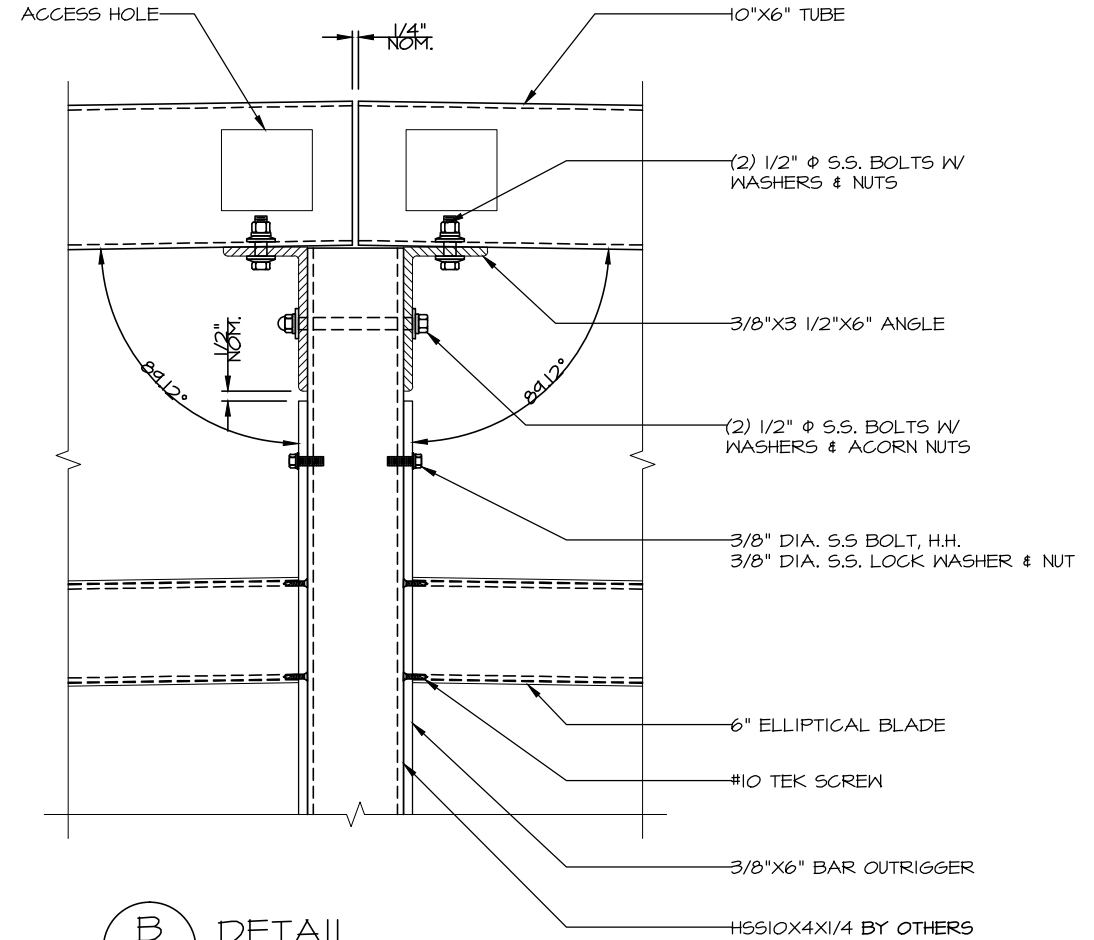
JOB #

4364

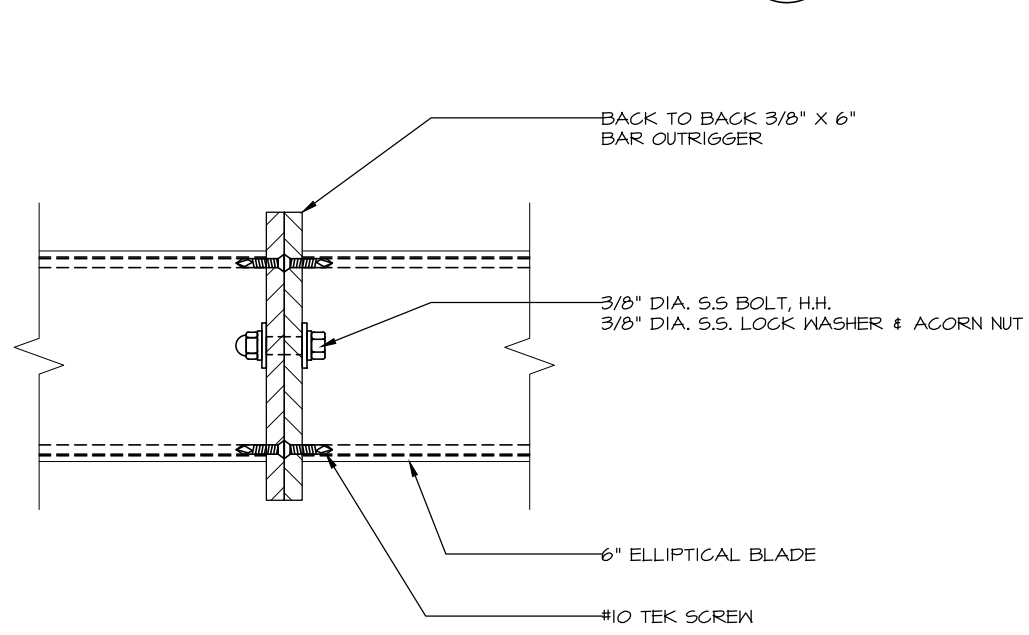
SHT 9 OF 13



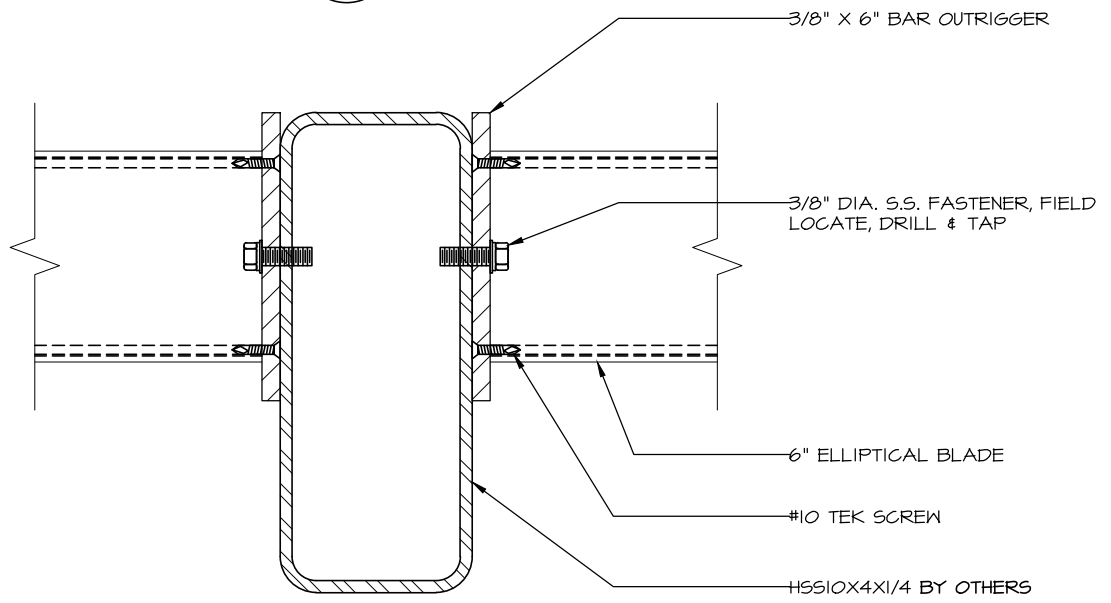
A SECTION
9



B DETAIL
9



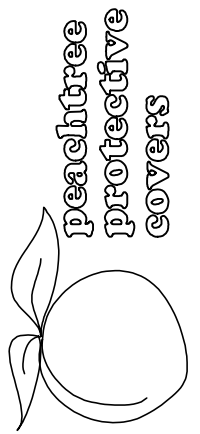
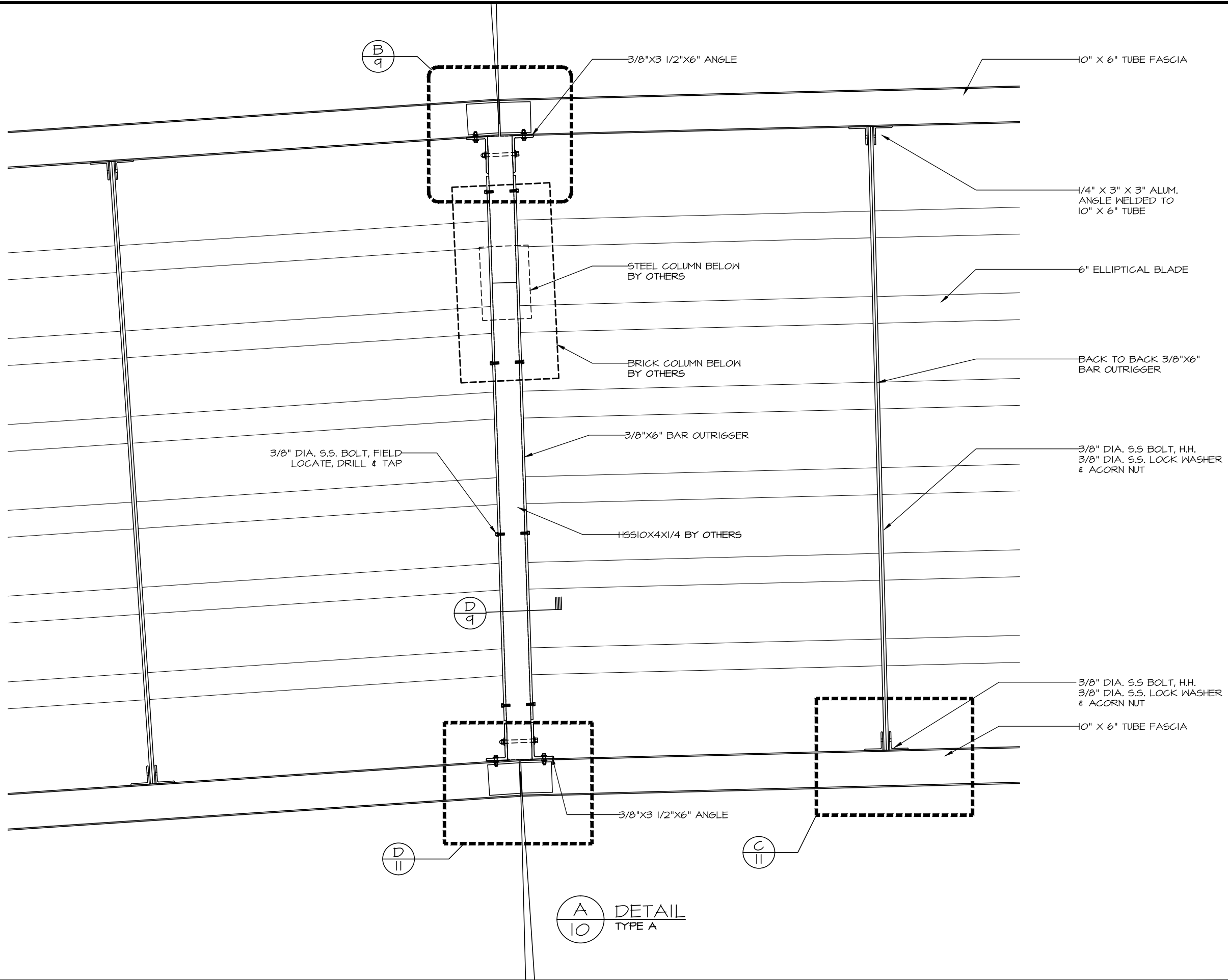
C SECTION
9



D SECTION
9

Drawing: 4364-FF.dwg Layout: 4364-9
 Plotted: Mar 10, 2015 - 6:58am By: Brown

Drawing: 4364-FF.dwg Layout: 4364-10
 Plotted: Mar 10, 2015 - 6:58am By: Brown



1477 ROSEDALE DRIVE PHONE (770) 434-2120
 HIRAM, GA 30141 FAX (770) 434-2122

JOB NAME: QUANTICO CENTER BUILDING 3

LOCATION: QUANTICO, VA

ARCHITECT: MORGAN GICK & ASSOCIATES, PC

CONTRACTOR: VANTAGE CONSTRUCTION

REVISIONS

DRAWN: JTG

SCALE: AS SHOWN

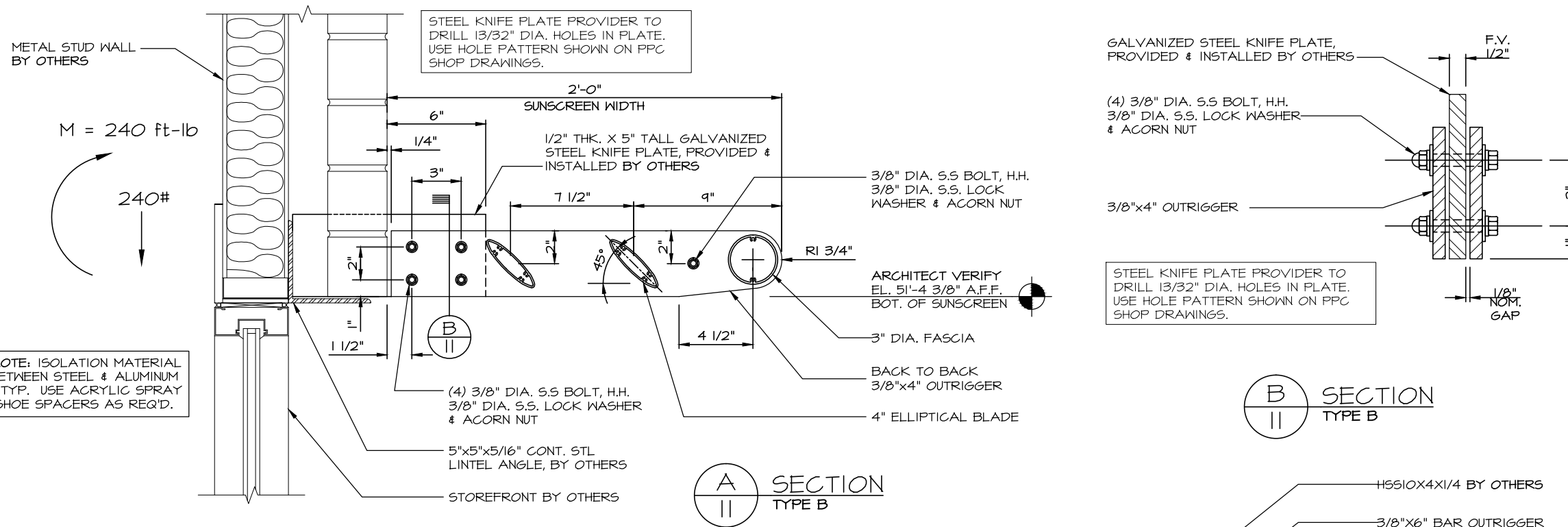
DATE: 04/11/08

JOB #

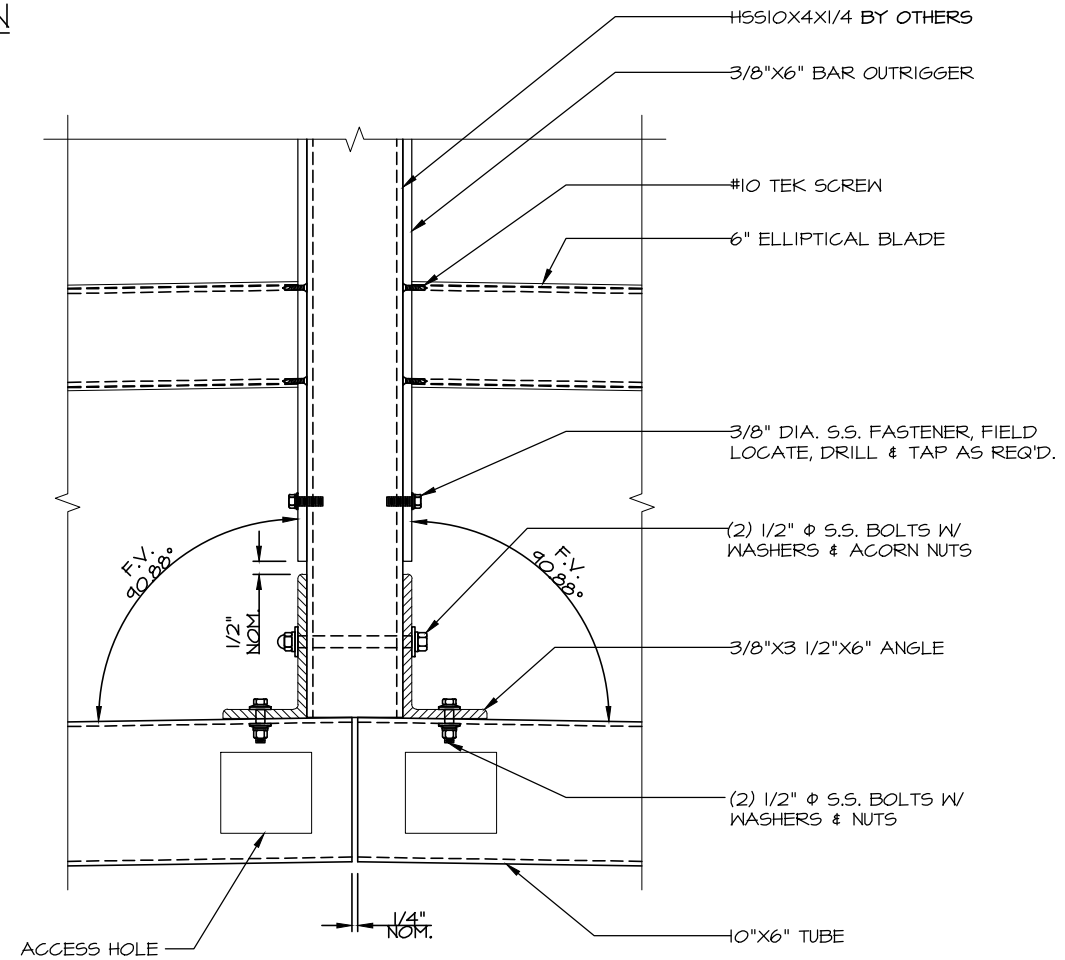
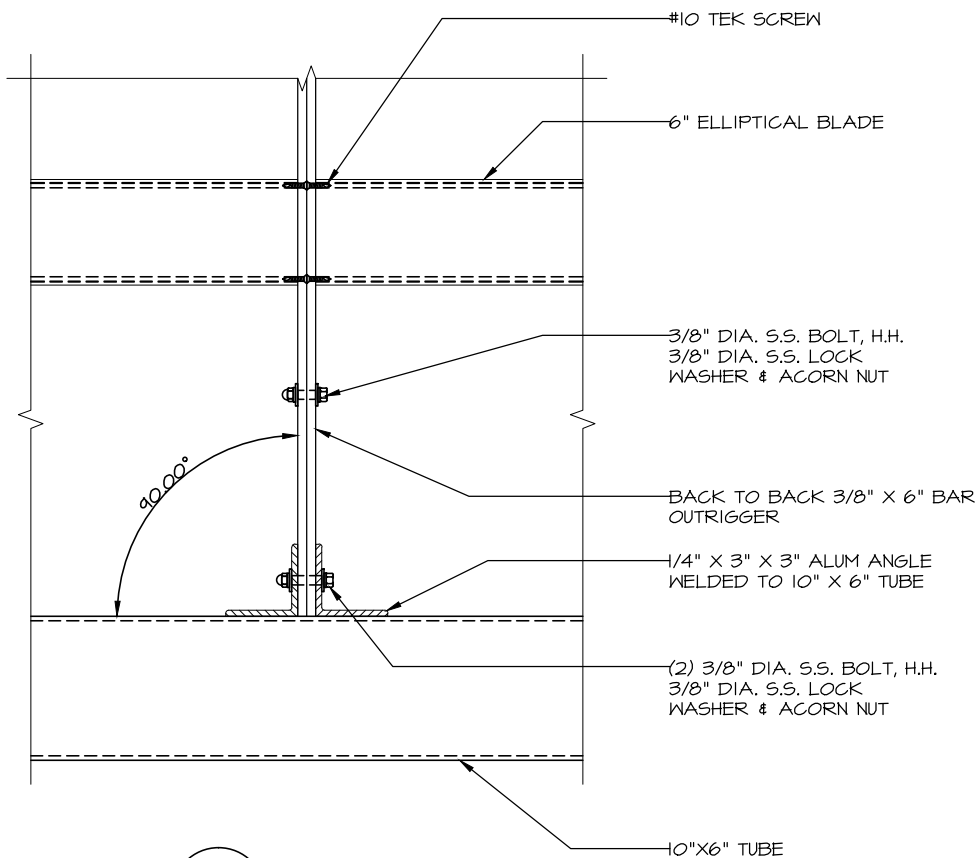
4364

SHT 10 OF 13

Drawing: 4364-FF.dwg Layout: 4364-IRI
 Plotted: Mar 10, 2015 - 6:58am By: Brown



INSTALLER NOTE: ISOLATION MATERIAL REQUIRED BETWEEN STEEL & ALUMINUM MATERIALS, TYP. USE ACRYLIC SPRAY AND HORSESHOE SPACERS AS REQ'D.

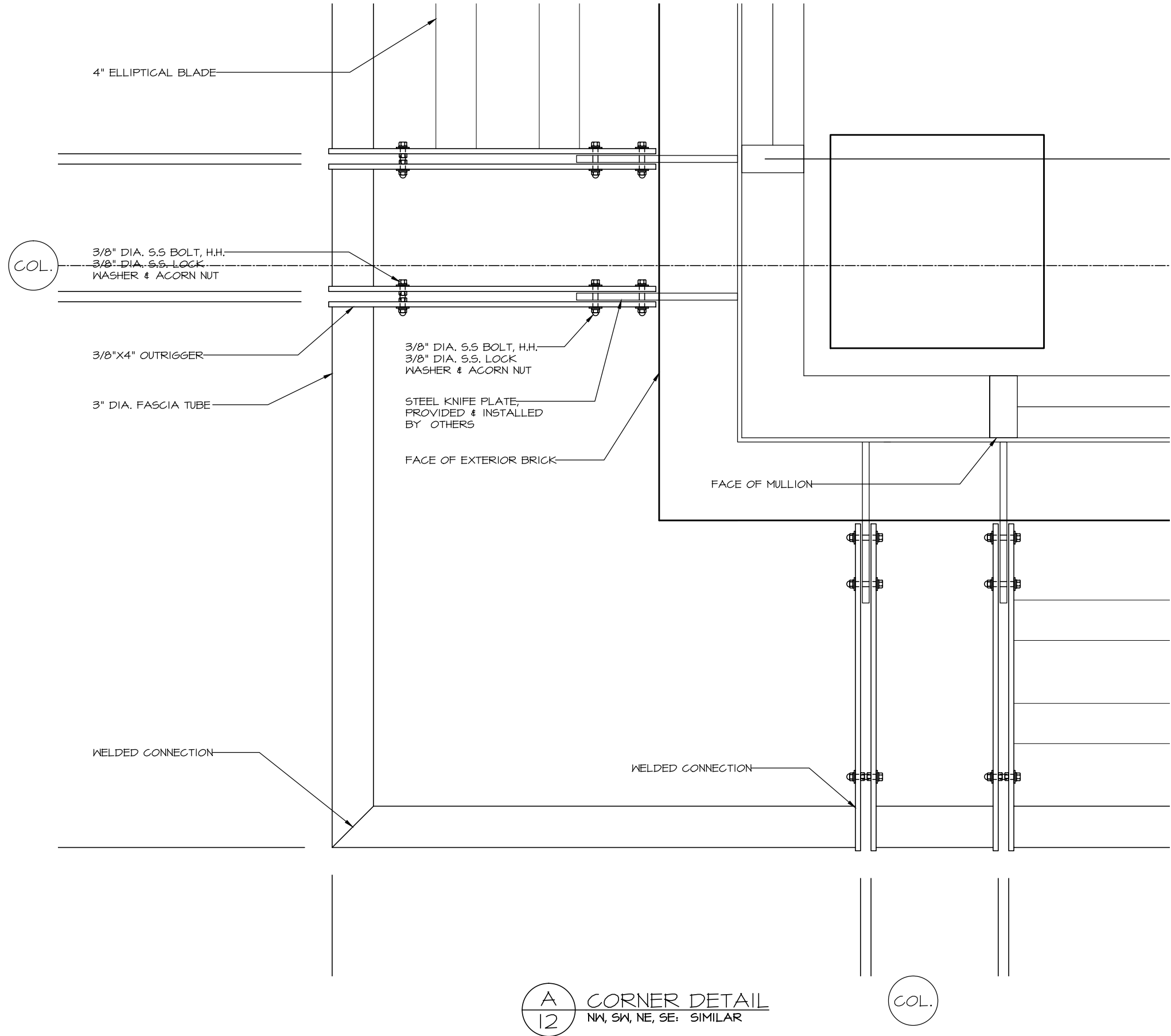


1477 ROSEDALE DRIVE PHONE (770) 434-2120
 HIRAM, GA 30141 FAX (770) 434-2122

JOB NAME: QUANTICO CENTER BUILDING 3
 LOCATION: QUANTICO, VA
 ARCHITECT: MORGAN GICK & ASSOCIATES, PC
 CONTRACTOR: VANTAGE CONSTRUCTION

REVISIONS	
JTG 7/28/08	
DRAWN: JTG	
SCALE: AS SHOWN	
DATE: 04/11/08	
JOB #	
4364	
SHT 11 OF 13	

Drawing: 4364-FF.dwg Layout: 4364-12
 Plotted: Mar 10, 2015 - 6:58am By: Brown



A
 12 CORNER DETAIL
 NW, SW, NE, SE: SIMILAR

COL.



JOB NAME: QUANTICO CENTER BUILDING 3
 LOCATION: QUANTICO, VA
 ARCHITECT: MORGAN GICK & ASSOCIATES, PC
 CONTRACTOR: VANTAGE CONSTRUCTION

REVISIONS	

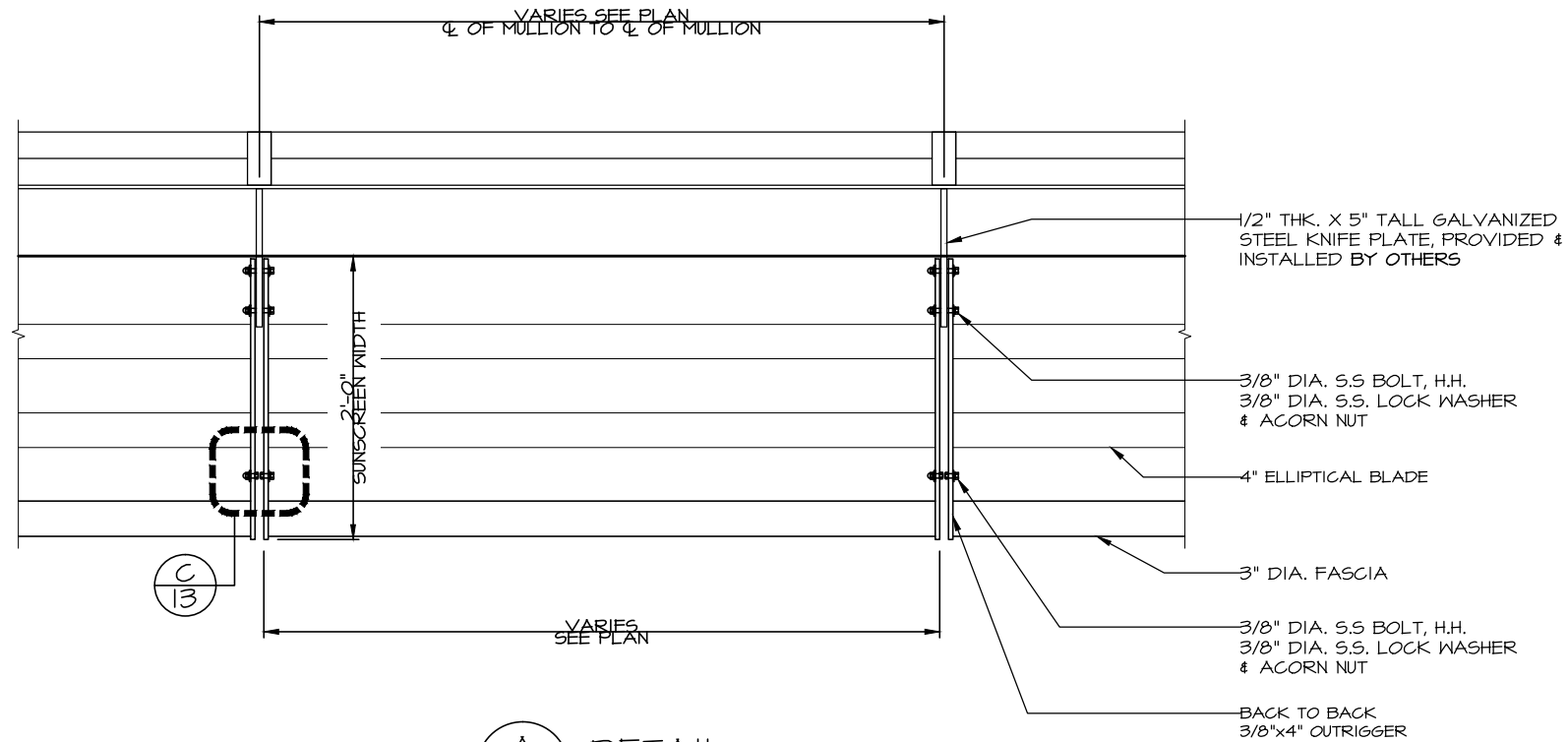
DRAWN: JTG

SCALE: AS SHOWN

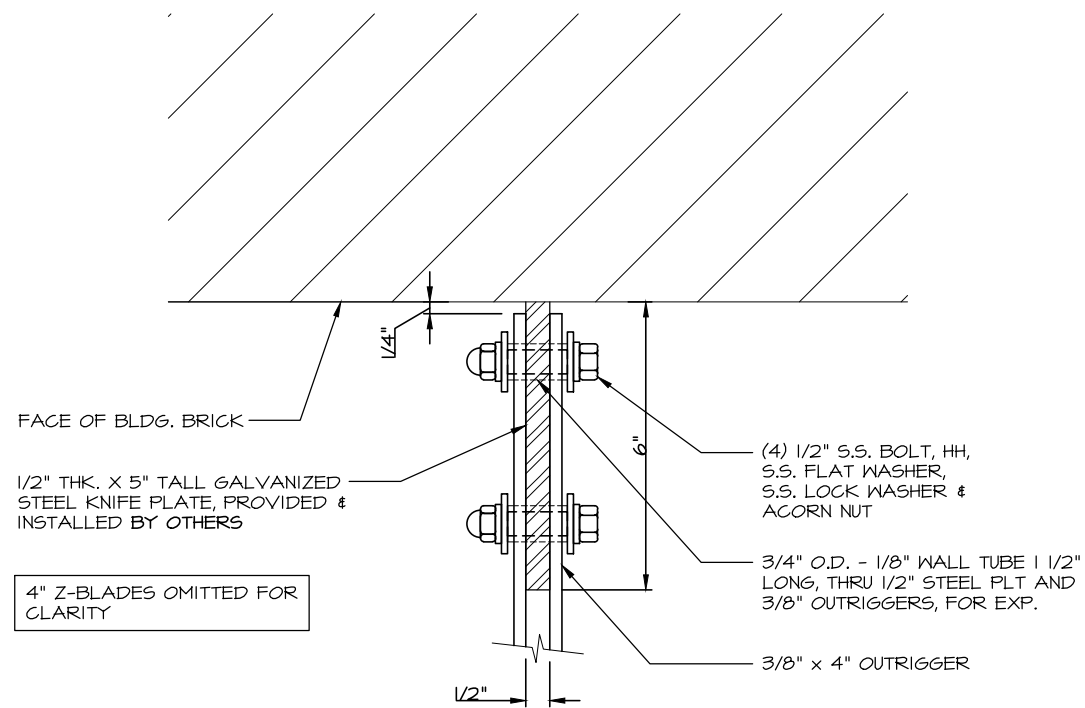
DATE: 04/11/08

JOB #
4364
 SHIT 12 OF 13

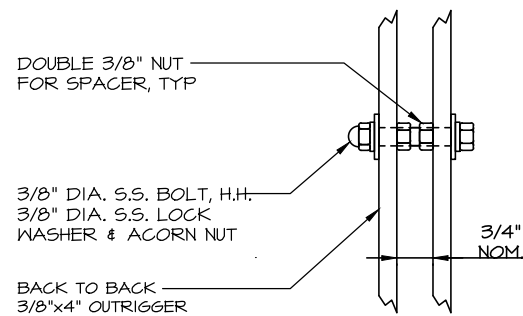
Drawing: 4364-FF.dwg Layout: 4364-13
 Plotted: Mar 10, 2015 - 6:58am By: Brown



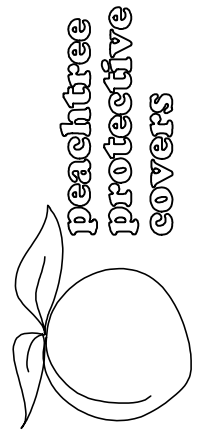
A
13
DETAIL
TYPE B



B
13
DETAIL
EXP. JT.



C
13
DETAIL



1477 ROSEDALE DRIVE PHONE (770) 494-2120
 HIRAM, GA 30141 FAX (770) 494-2122

JOB NAME: QUANTICO CENTER BUILDING 3

LOCATION: QUANTICO, VA

ARCHITECT: MORGAN GICK & ASSOCIATES, PC

CONTRACTOR: VANTAGE CONSTRUCTION

REVISIONS

DRAWN: JTG

SCALE: AS SHOWN

DATE: 04/11/08

JOB #

4364

SHT 13 OF 13