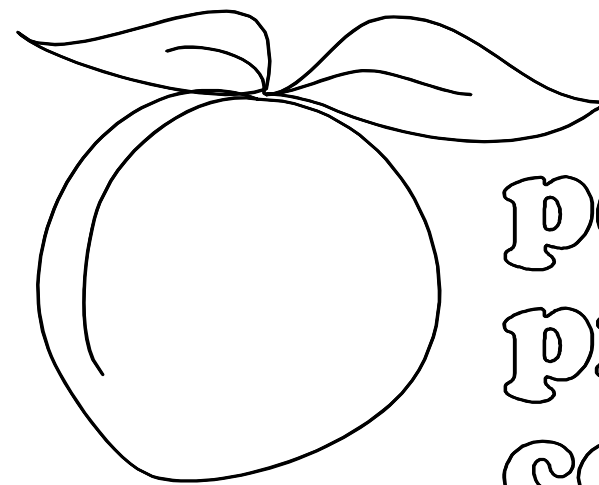


JOB # 4065



peachtree
protective
covers

NOTE:
MIDWAY THROUGH FAB CHANGE IMPLEMENTED TO
MAKE CANOPY "B" EVEN BENTS DRY. SOME SUB ASSY'S
ALREADY DRILLED FOR DRAINAGE (HOLES HIDDEN).
INSTALLER MAKE SURE "WET BEAM" SUB ASSY'S MATE
WITH WET "WET BEAMS" (NOT DRY BEAMS)

ST. ELIZABETH HOSPITAL
BOARDMAN CAMPUS

BOARDMAN, OHIO

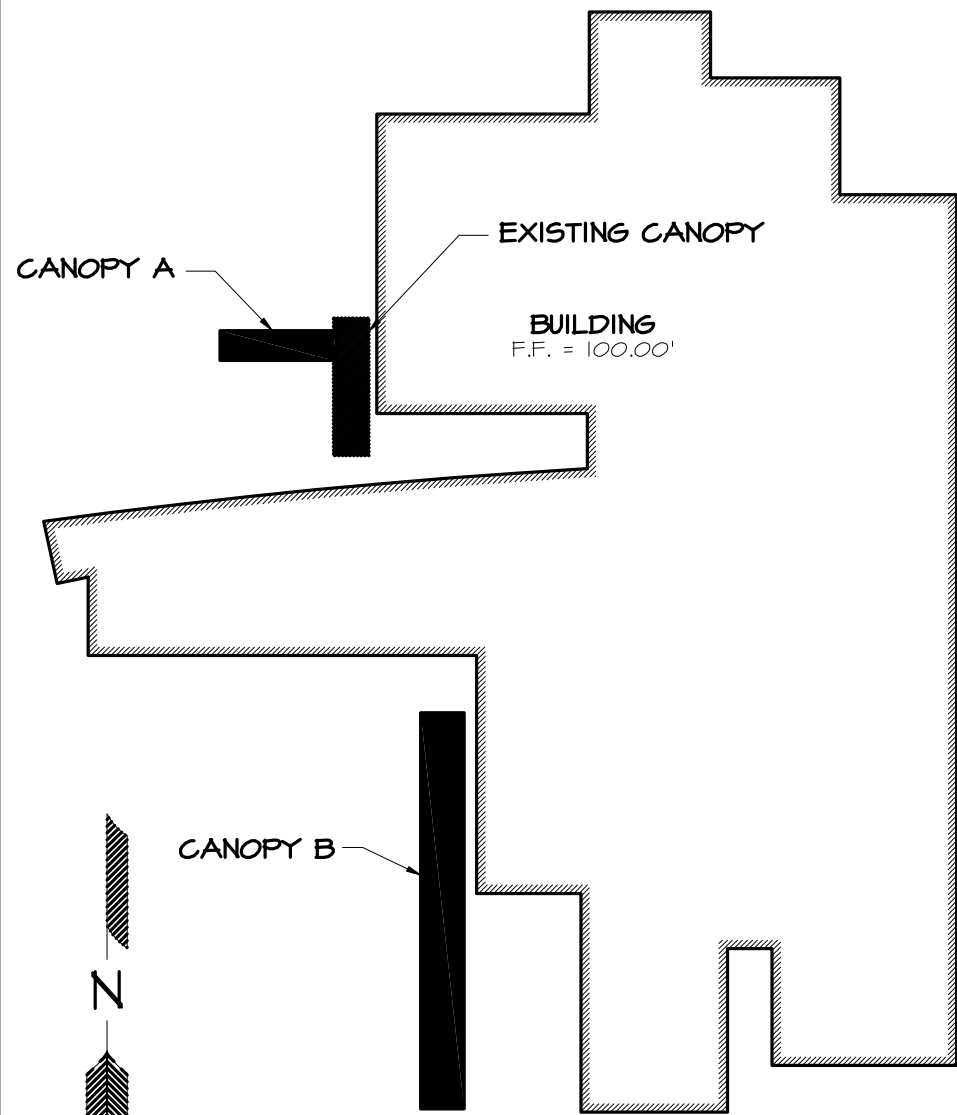
BY

STROLLO ARCHITECTS

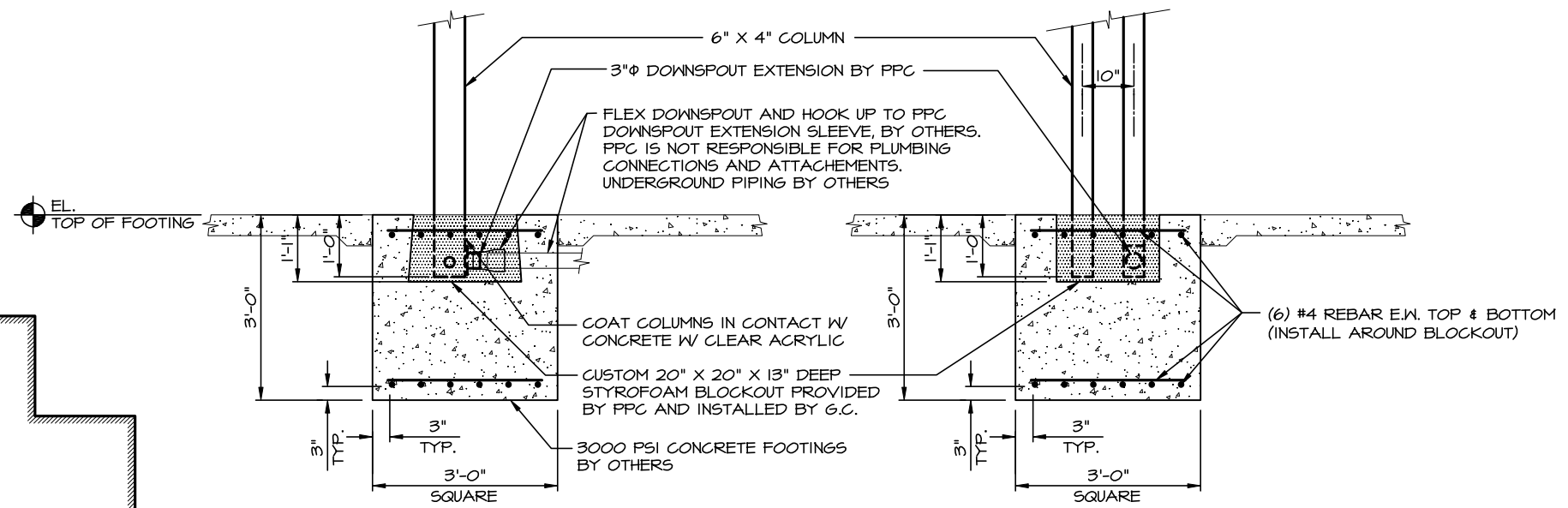
MAY 5, 2007

NOTE:
PEACHTREE PROTECTIVE COVERS RESERVES
THE RIGHT TO INSTALL MECHANICAL JOINTS
IN COLUMNS THAT EXCEED SHIPPING LIMITATIONS.

1477 ROSEDALE DRIVE
HIRAM, GA 30141
(770) 439-2120
fax (770) 439-2122



KEY PLAN
N.T.S.



A FOOTING DETAIL
CANOPY A

GC & ARCHITECT NOTE:
 THE CANOPY FOOTING SIZE IS BASED ON WIND UPLIFT AND AN ALLOWABLE SOIL BEARING CAPACITY OF 2000 PSF. FOOTING BOTTOMS TO BE APPROVED FOR 2000 PSF BEARING BY A QUALIFIED GEOTECHNICAL ENGINEER. IF THE BEARING CAPACITY IS LESS THAN 2000 PSF, THE CONTRACTOR SHALL NOTIFY PPC ENGINEER FOR REDESIGN OF CANOPY FOOTINGS.

MATERIAL ONLY

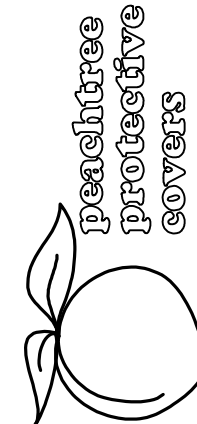
FINISH SCHEDULE		
DESCRIPTION	FINISH	COLOR
3 1/2"x6" FLAT SOFFIT DECK	ANODIZED	CLEAR, A31
8" CUSTOM FASCIA	ANODIZED	CLEAR, A31
6"x4" COLUMNS	ANODIZED	CLEAR, A31
10"x6" COLUMNS	ANODIZED	CLEAR, A31
10"x6" BEAMS	ANODIZED	CLEAR, A31
10"x6" TUBES	ANODIZED	CLEAR, A31
10"x2" TUBES	ANODIZED	CLEAR, A31
6"x4" TUBES	ANODIZED	CLEAR, A31
3" SCH. 40 HANGER PIPE	ANODIZED	CLEAR, A31
1"x19"x24" BASE PLATE	MILL	



peachtree protective covers
 1477 ROSEDALE DRIVE PHONE (770) 434-2120
 HIRAM, GA 30141 FAX (770) 434-2122

JOB NAME: ST. ELIZABETH HOSPITAL BOARDMAN CAMPUS
 LOCATION: BOARDMAN, OHIO
 ARCHITECT: STROLLO ARCHITECTS
 CONTRACTOR: YOUNGSTOWN MIRROR & GLASS

REVISIONS	
1/31/07 RW	
DRAWN: JLJ	
SCALE: AS SHOWN	
DATE: 01/09/07	
JOB #	
4065	
SHT 1 OF 11	



1477 ROSEDALE DRIVE PHONE (770) 434-2120
HIRAM, GA 30141 FAX (770) 434-2122

JOB NAME: ST. ELIZABETH HOSPITAL BOARDMAN CAMPUS

LOCATION: BOARDMAN, OHIO

ARCHITECT: STROLLO ARCHITECTS

CONTRACTOR: YOUNGSTOWN MIRROR & GLASS

REVISIONS

01/13/07 JLJ	
5/5/07 RLV	

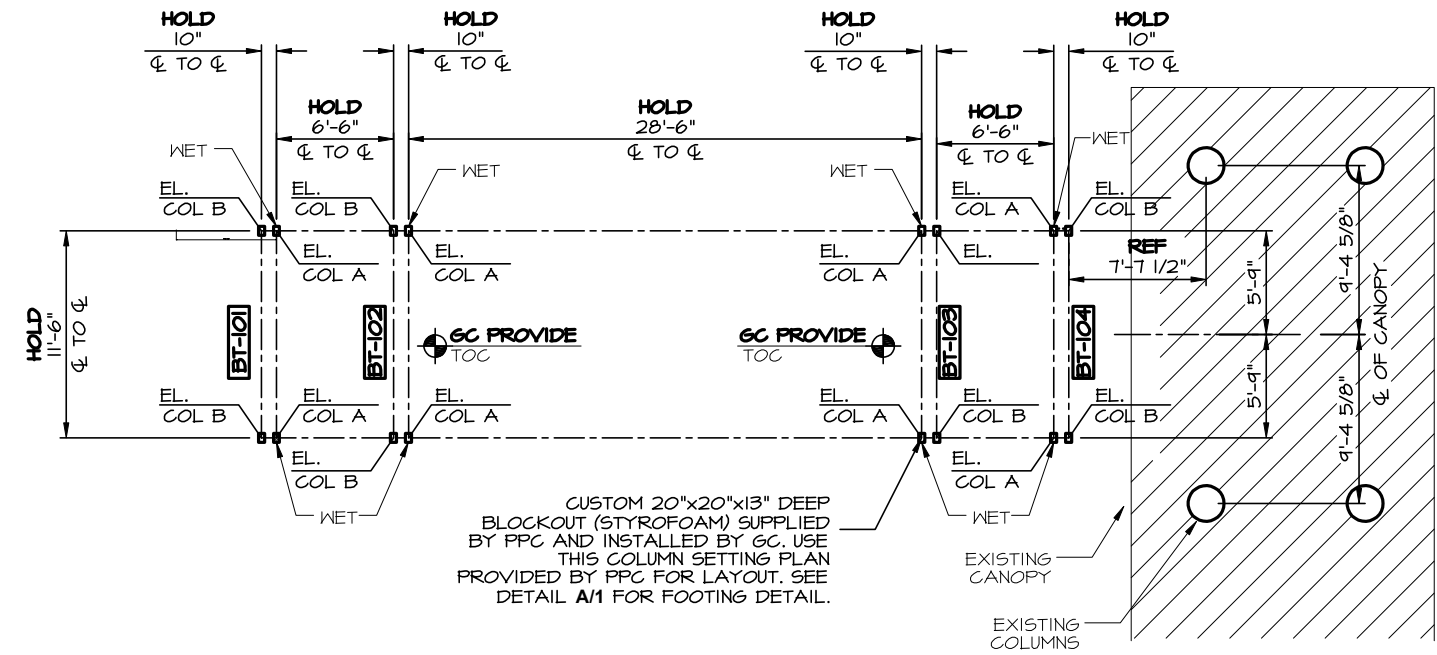
DRAWN: JLJ

SCALE: AS SHOWN

DATE: 01/09/07

JOB #
4065

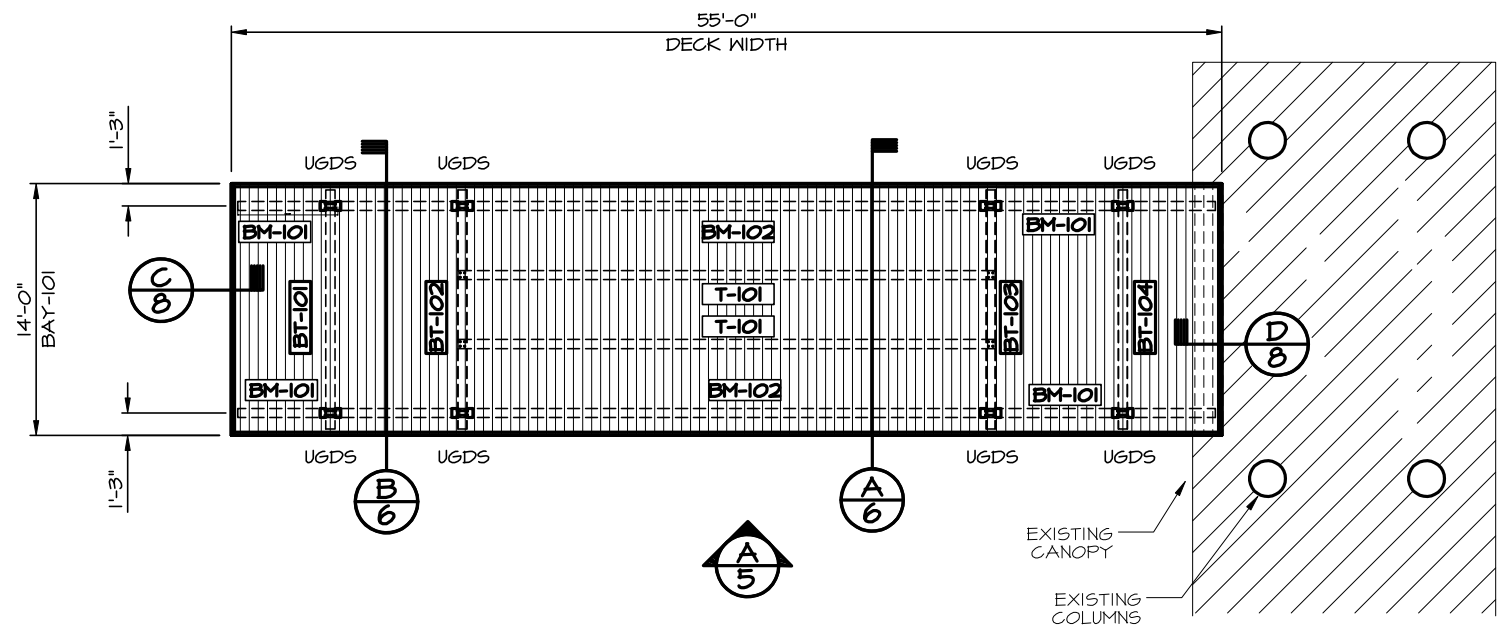
SHT 2 OF 11



IF THE "VARY" DIMENSION NOTED ON DRAWINGS, INCREASES BY 12" OR MORE, CONTACT PPC IMMEDIATELY FOR COORDINATION & DIRECTION

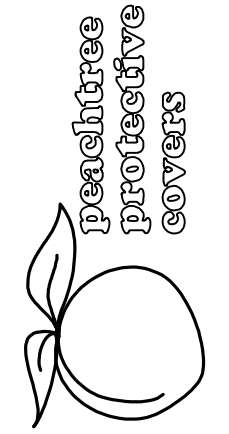
G.C. PLEASE PROVIDE SPOT ELEVATIONS INDICATED ON COLUMN SETTING PLAN.

COLUMN SETTING PLAN
SCALE: 3/32"=1'-0" CANOPY A



DECK PLAN
SCALE: 3/32"=1'-0" CANOPY A

Drawing: 4065-SBldg Plotted: Jan 9, 2007



1477 ROSEDALE DRIVE PHONE (770) 434-2120
HIRAM, GA 30141 FAX (770) 434-2122

JOB NAME: ST. ELIZABETH HOSPITAL BOARDMAN CAMPUS

LOCATION: BOARDMAN, OHIO

ARCHITECT: STROLLO ARCHITECTS

CONTRACTOR: YOUNGSTOWN MIRROR & GLASS

REVISIONS

02/14/07	JLJ	
5/5/07	RLV	

DRAWN: JLJ

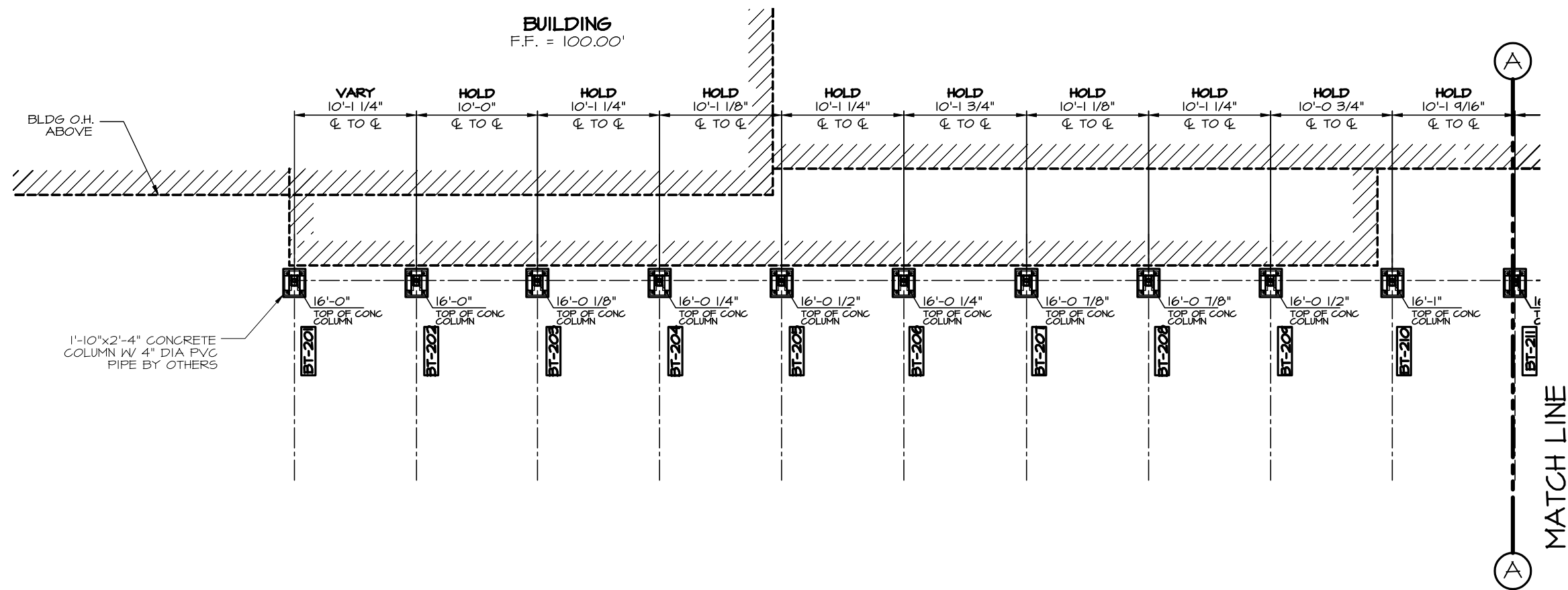
SCALE: AS SHOWN

DATE: 01/09/07

JOB #

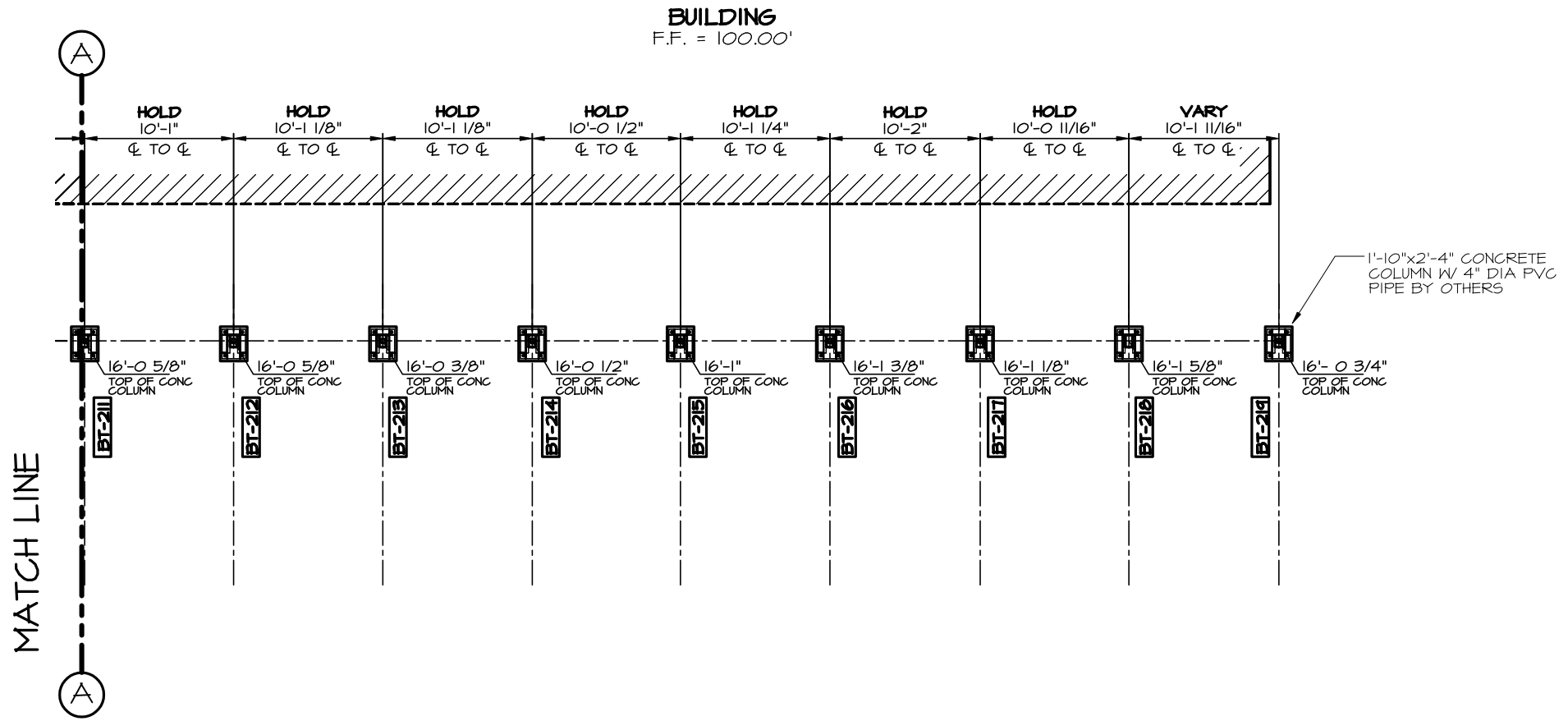
4065

SHT 3 OF 11



IF THE "VARY" DIMENSION NOTED ON DRAWINGS, INCREASES BY 12" OR MORE, CONTACT PPC IMMEDIATELY FOR COORDINATION & DIRECTION

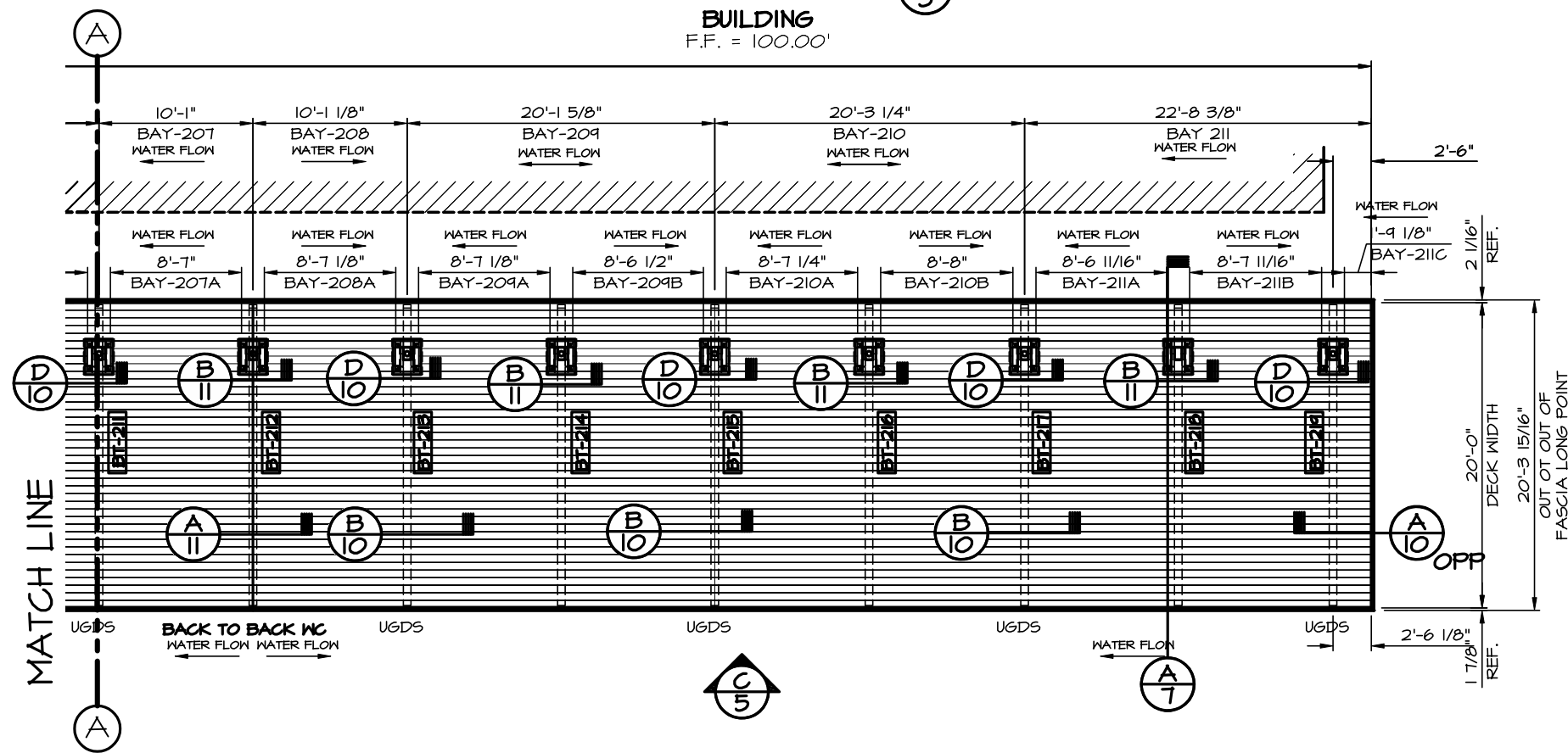
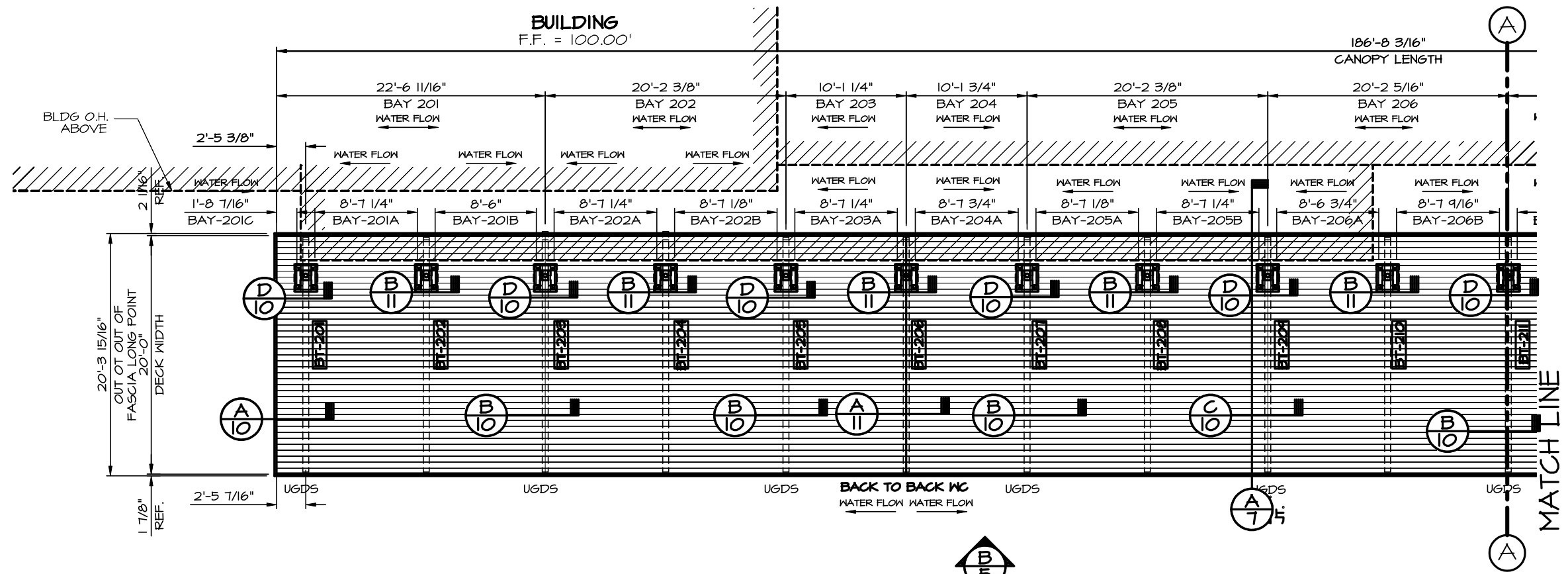
G.C. PLEASE PROVIDE SPOT ELEVATIONS INDICATED ON COLUMN SETTING PLAN.



COLUMN SETTING PLAN
SCALE: 3/32"=1'-0" CANOPY B

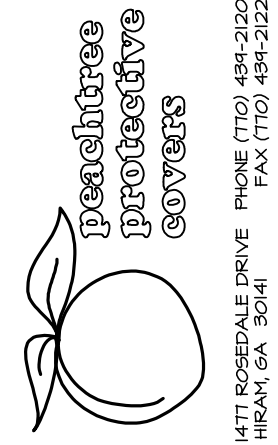
Drawing: 4065-SBuilding
Plotted: Jan 9, 2007

Drawing: 4065-SBuilding
Plotted: Jan 9, 2007



DECK PLAN

SCALE: 3/32"=1'-0" CANOPY B



1477 ROSEDALE DRIVE PHONE (770) 434-2120
HIRAM, GA 30141 FAX (770) 434-2122

JOB NAME: ST. ELIZABETH HOSPITAL BOARDMAN CAMPUS

LOCATION: BOARDMAN, OHIO

ARCHITECT: STROLLO ARCHITECTS

CONTRACTOR: YOUNGSTOWN MIRROR & GLASS

REVISIONS

02/14/07 JLJ
5/5/07 RLV

DRAWN: JLJ

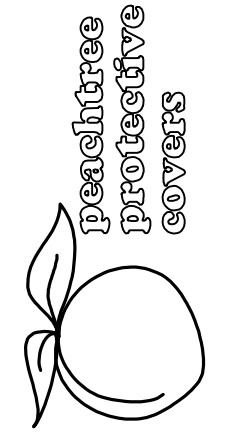
SCALE: AS SHOWN

DATE: 01/09/07

JOB #

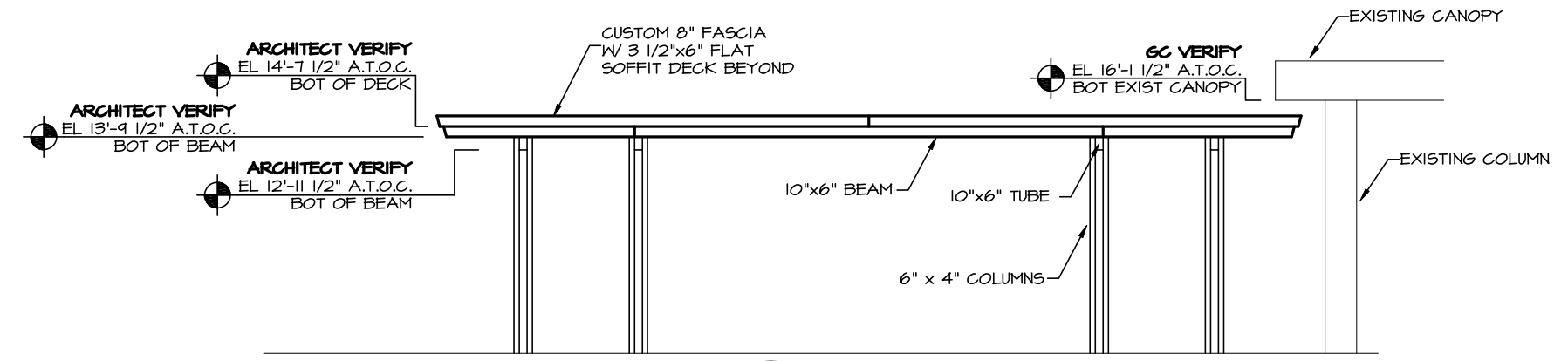
4065

SHT 4 OF 11

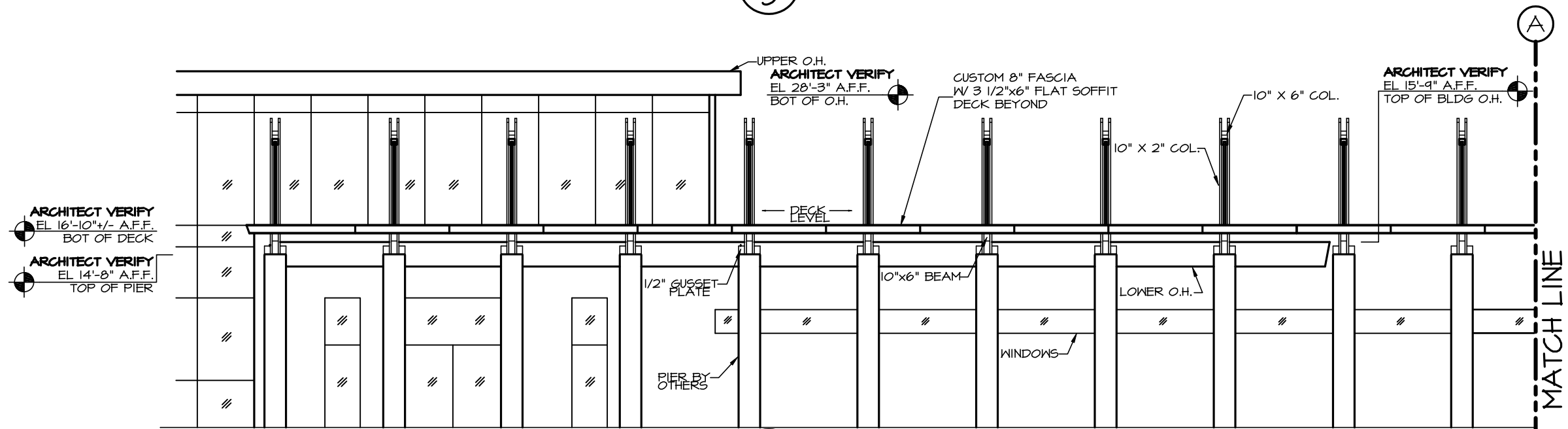


1477 ROSEDALE DRIVE HIRAM, GA 30141
 PHONE (770) 434-2120
 FAX (770) 434-2122

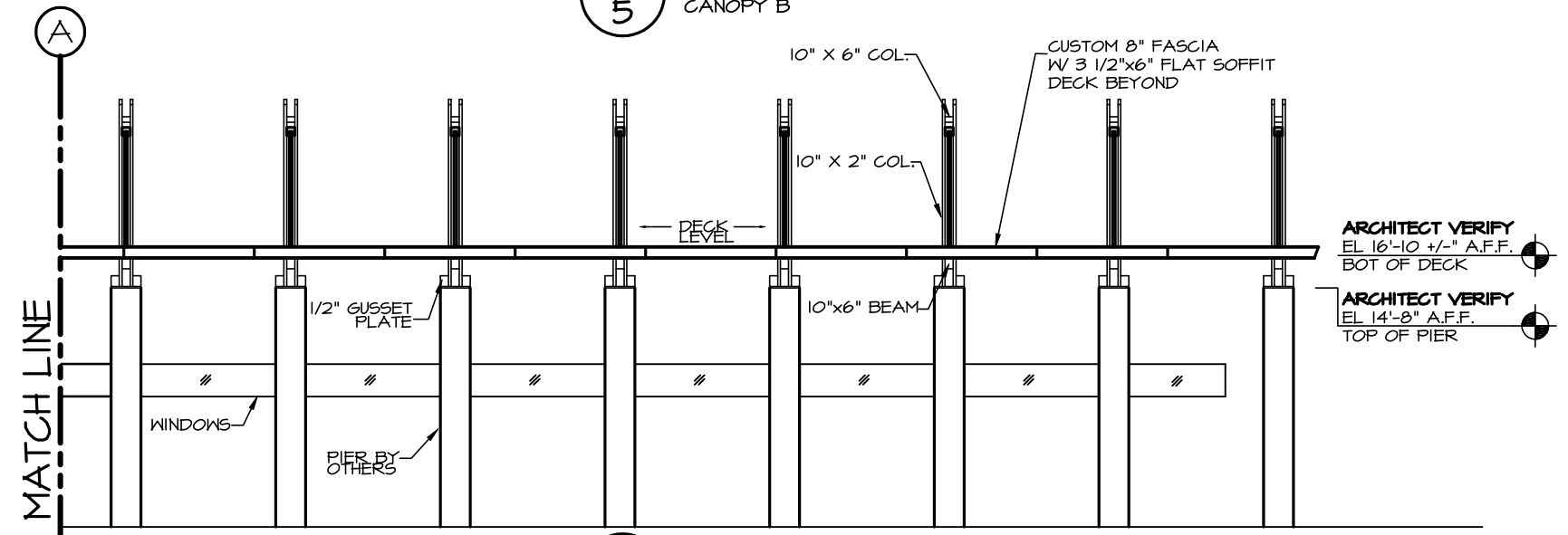
JOB NAME: ST. ELIZABETH HOSPITAL BOARDMAN CAMPUS
 LOCATION: BOARDMAN, OHIO
 ARCHITECT: STROLLO ARCHITECTS
 CONTRACTOR: YOUNGSTOWN MIRROR & GLASS



A
5
 ELEVATION
 CANOPY A



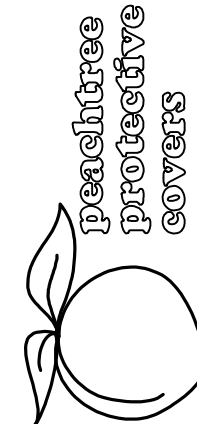
B
5
 ELEVATION
 CANOPY B



C
5
 ELEVATION
 CANOPY B

REVISIONS	
02/14/07 JLJ	
5/5/07 RLV	
DRAWN: JLJ	
SCALE: AS SHOWN	
DATE: 01/09/07	
JOB #	
4065	
SHT 5 OF 11	

Drawing: 4065-SBuilding
 Plotted: Jan 9, 2007



1477 ROSEDALE DRIVE PHONE (770) 434-2120
 HIRAM, GA 30141 FAX (770) 434-2122

JOB NAME: ST. ELIZABETH HOSPITAL BOARDMAN CAMPUS

LOCATION: BOARDMAN, OHIO

ARCHITECT: STOLLO ARCHITECTS

CONTRACTOR: YOUNGSTOWN MIRROR & GLASS

REVISIONS

02/14/07	JLJ
5/5/07	RLV

DRAWN: JLJ

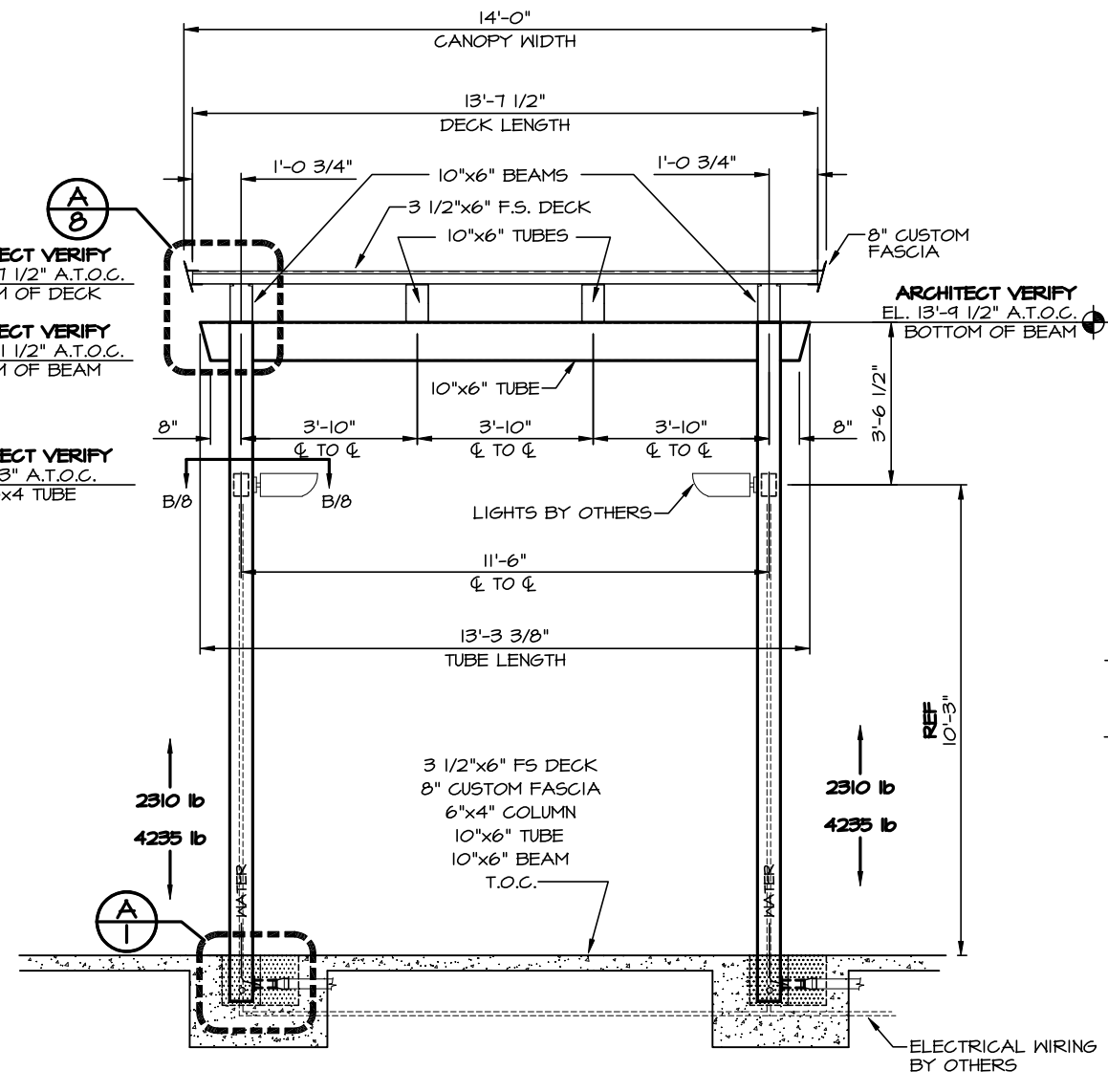
SCALE: AS SHOWN

DATE: 01/09/07

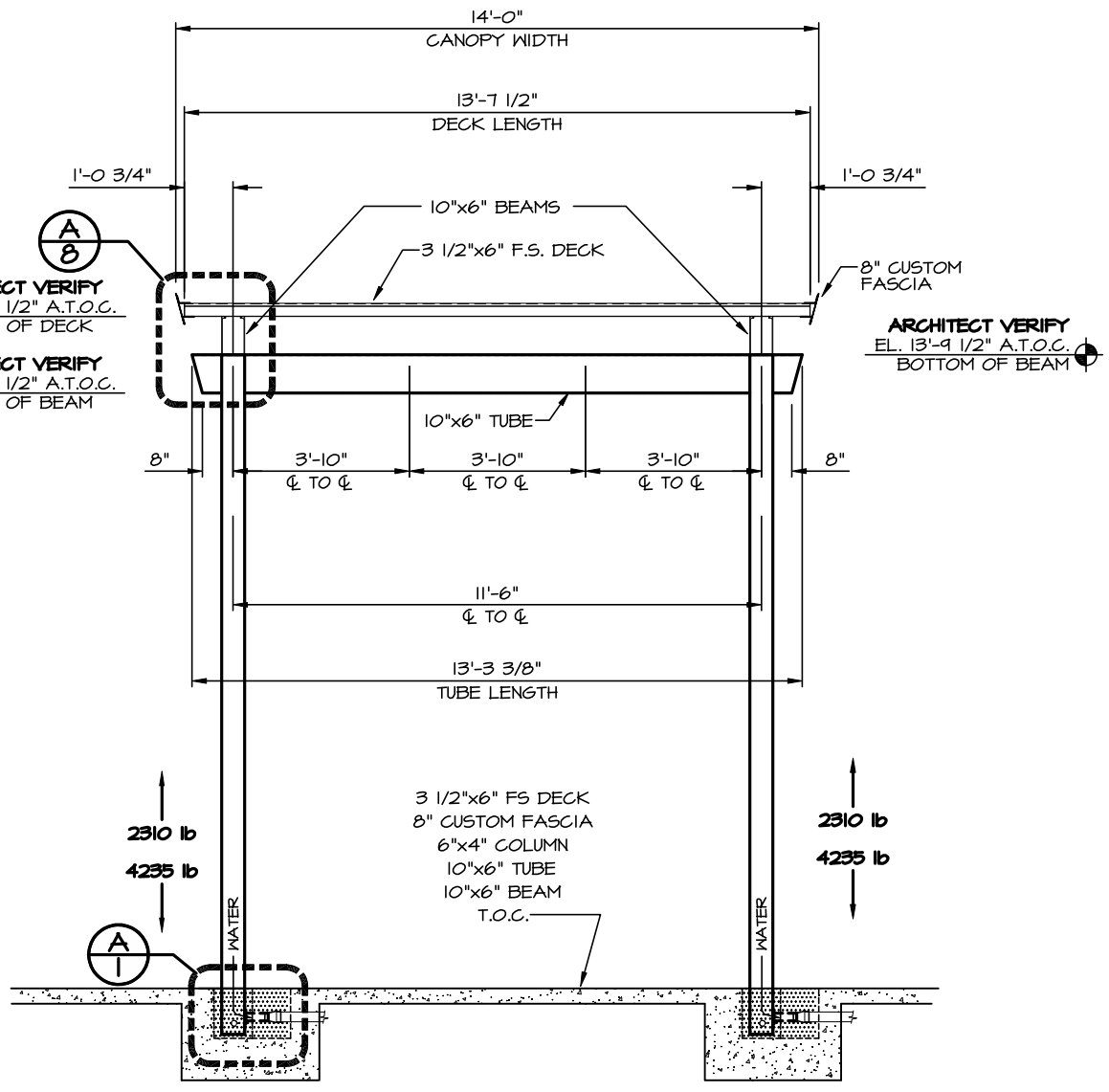
JOB #

4065

SHT 6 OF 11



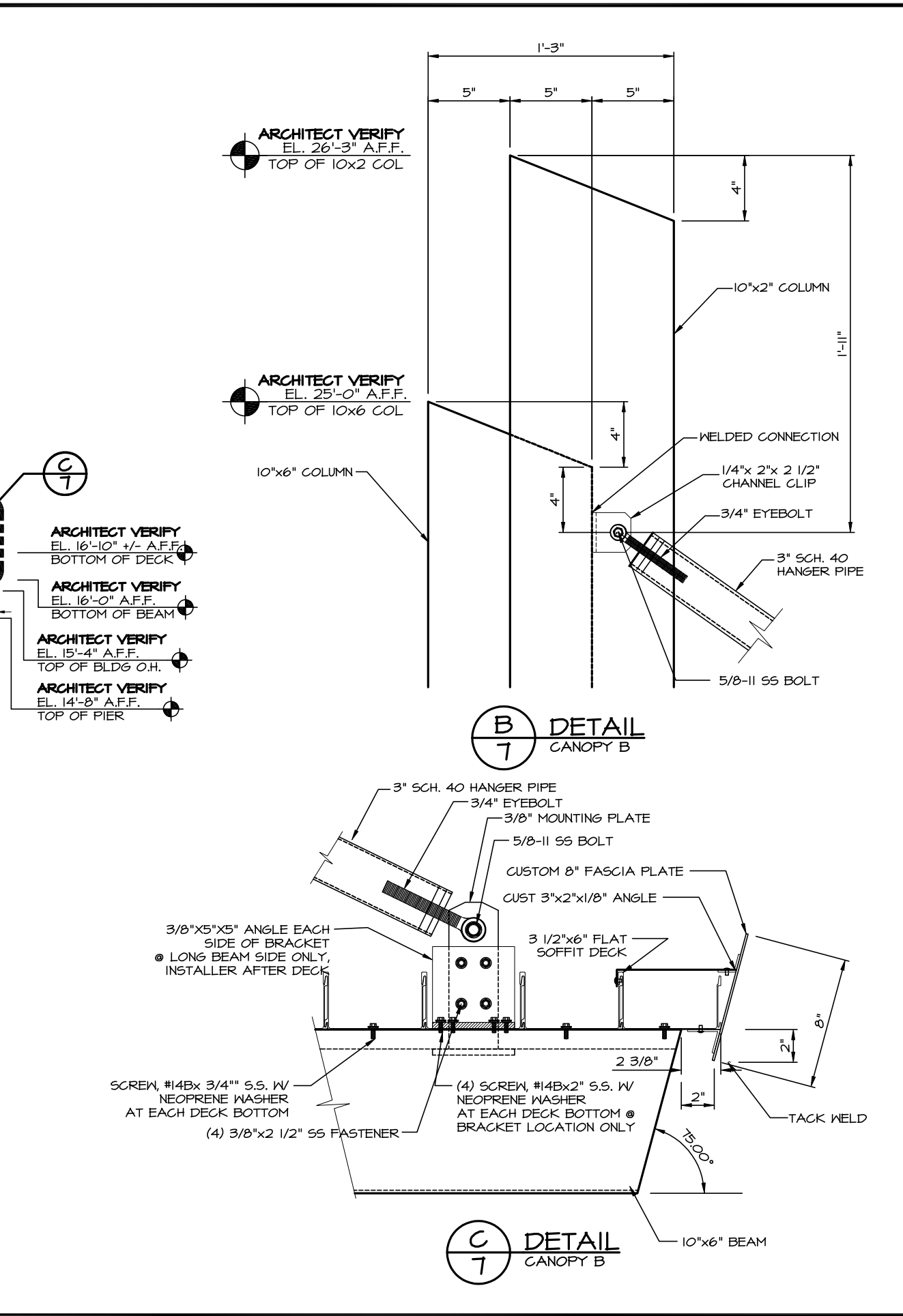
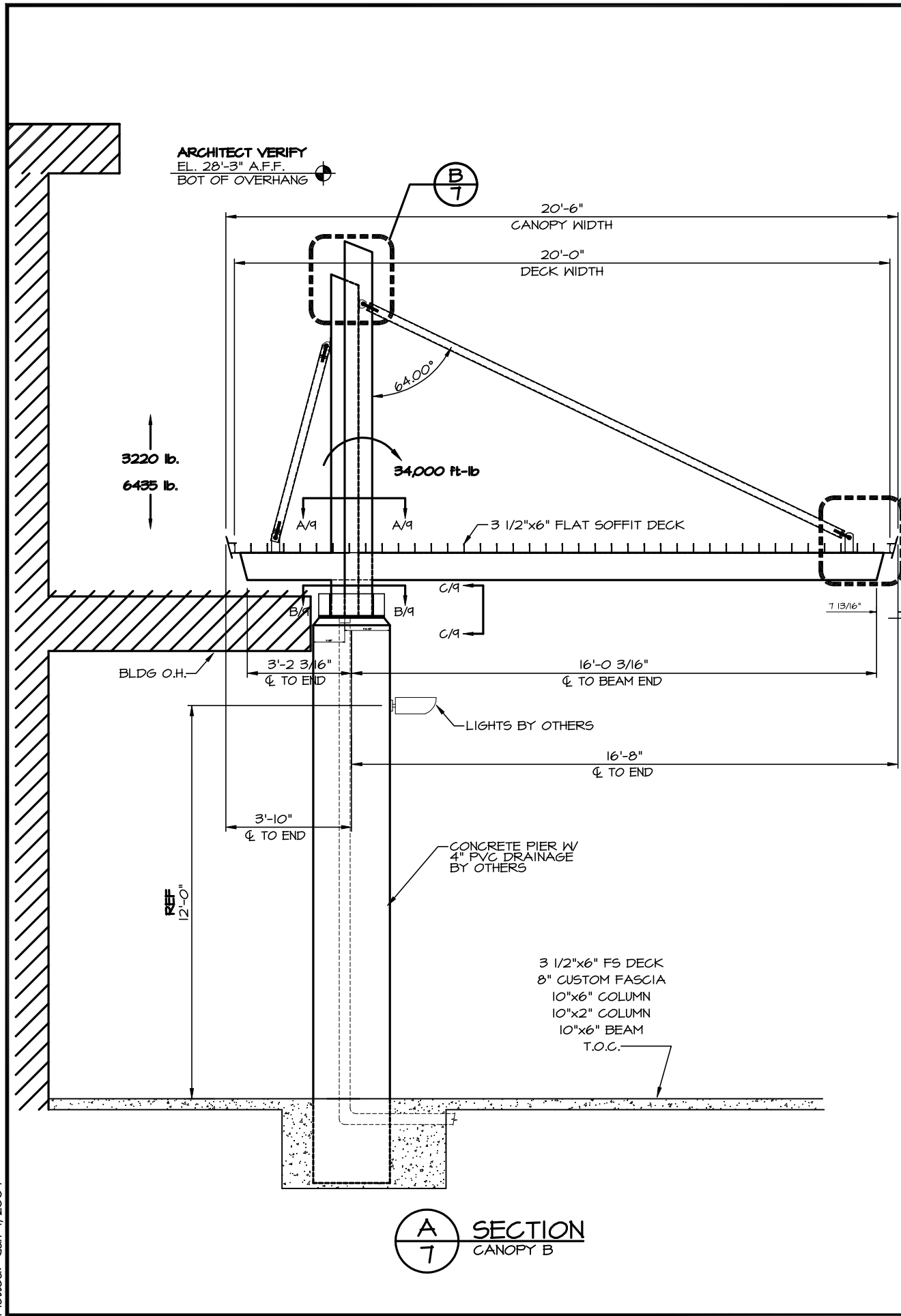
A SECTION
 6 CANOPY A



B SECTION
 6 CANOPY A

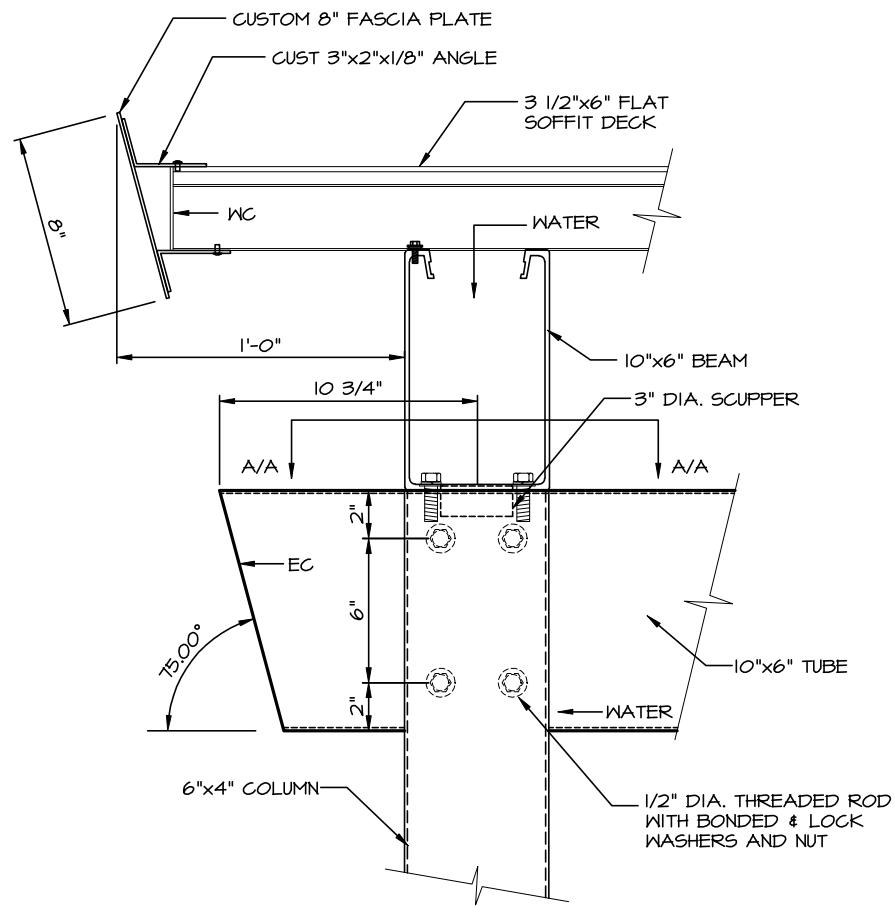
Drawing: 4065-SBl.dwg
 Plotted: Jan 9, 2007

Drawing: 4065-SBuilding
Plotted: Jan 9, 2007

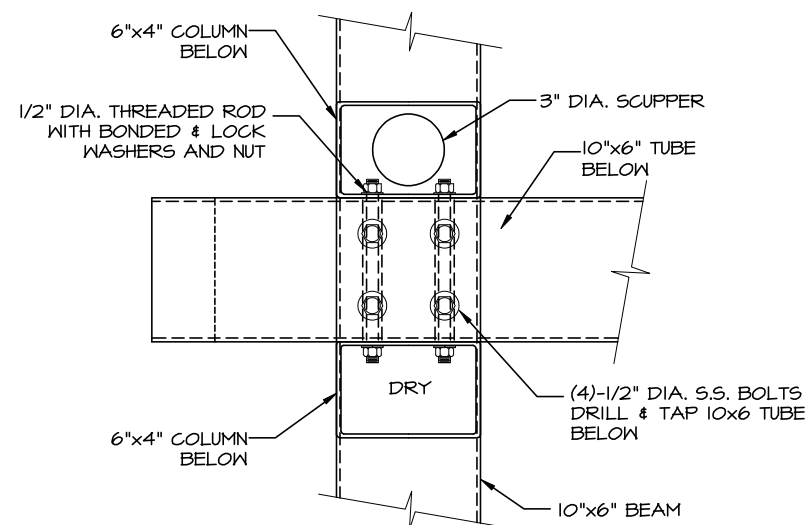


JOB NAME: ST. ELIZABETH HOSPITAL BOARDMAN CAMPUS
LOCATION: BOARDMAN, OHIO
ARCHITECT: STROLLO ARCHITECTS
CONTRACTOR: YOUNGSTOWN MIRROR & GLASS

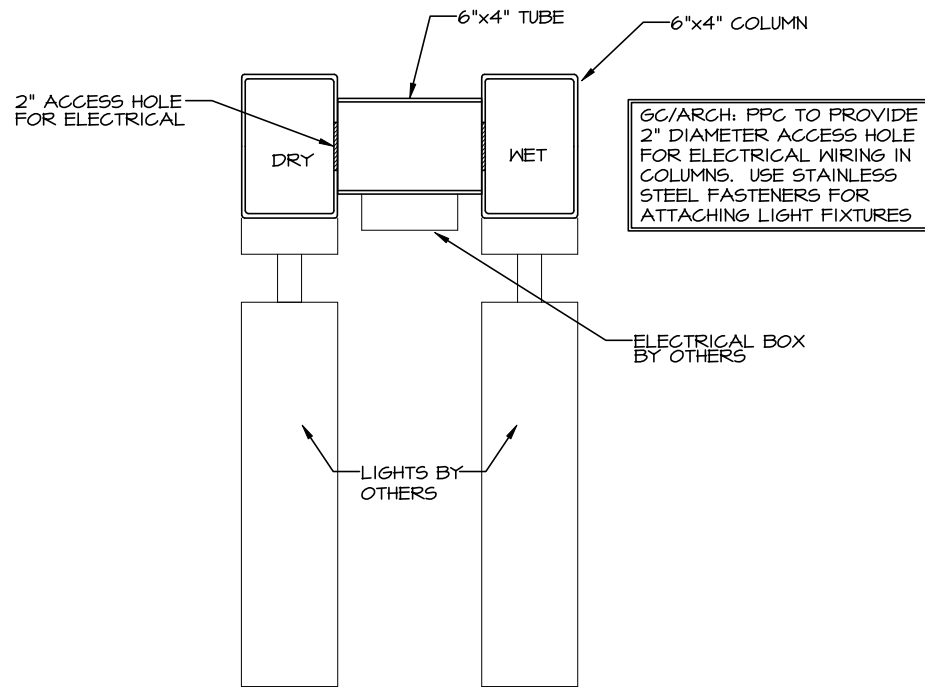
REVISIONS	
02/14/07 JLJ	
5/5/07 RLV	
DRAWN: JLJ	
SCALE: AS SHOWN	
DATE: 01/09/07	
JOB #	
4065	
SHT 7 OF 11	



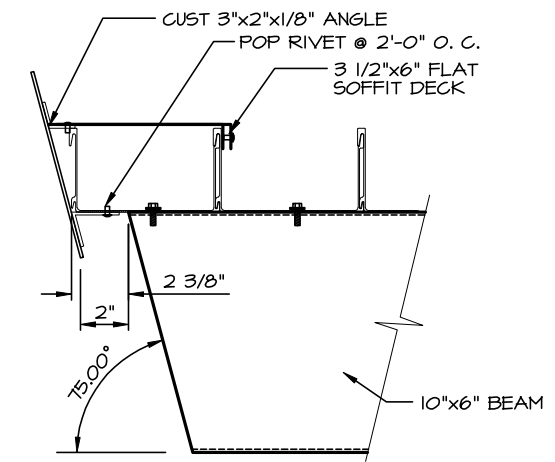
A
8
DETAIL
CANOPY A



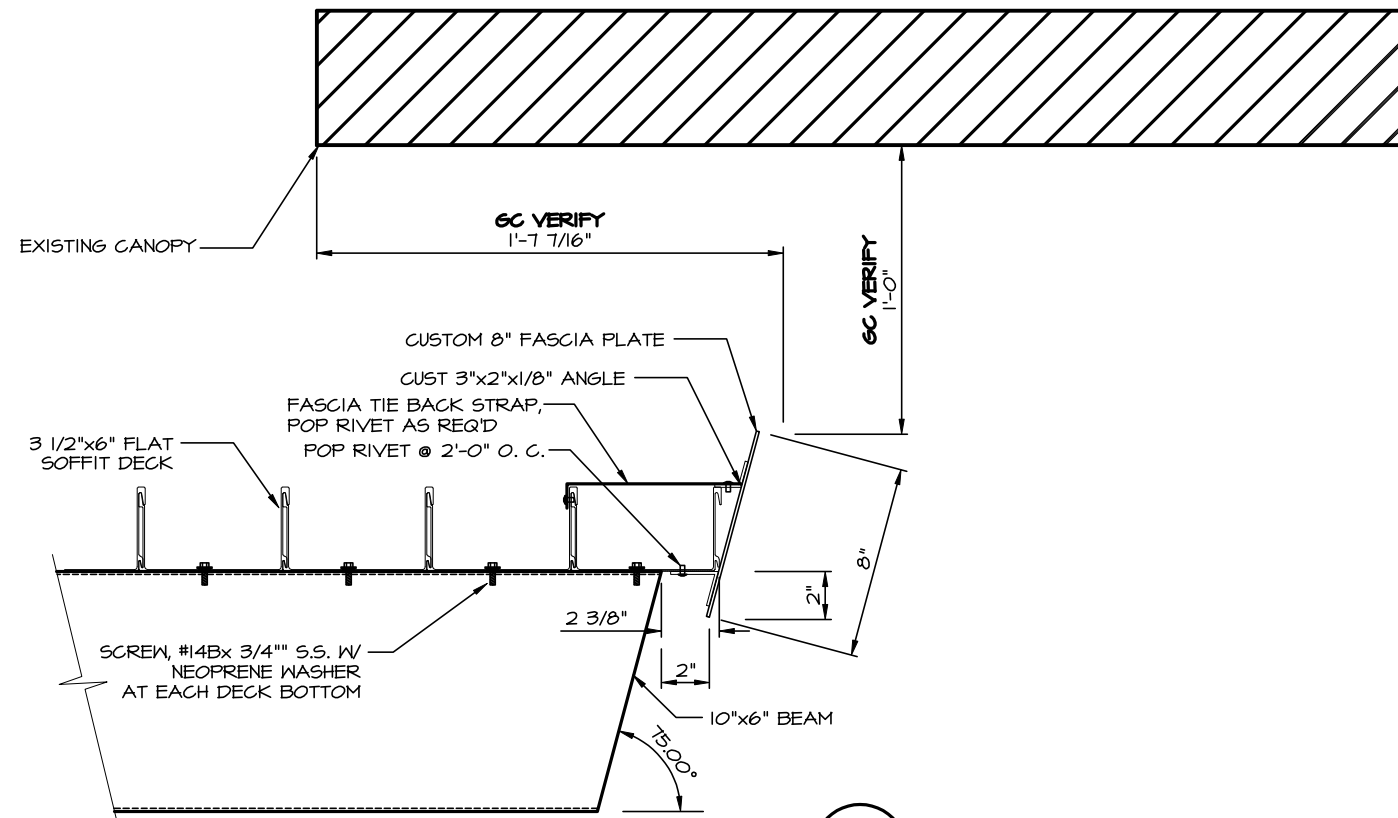
A
A
DETAIL
CANOPY A



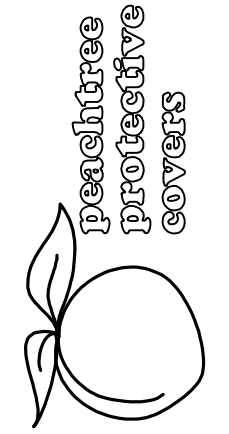
B
8
DETAIL
CANOPY A



C
8
SECTION
CANOPY A



D
8
SECTION
CANOPY A



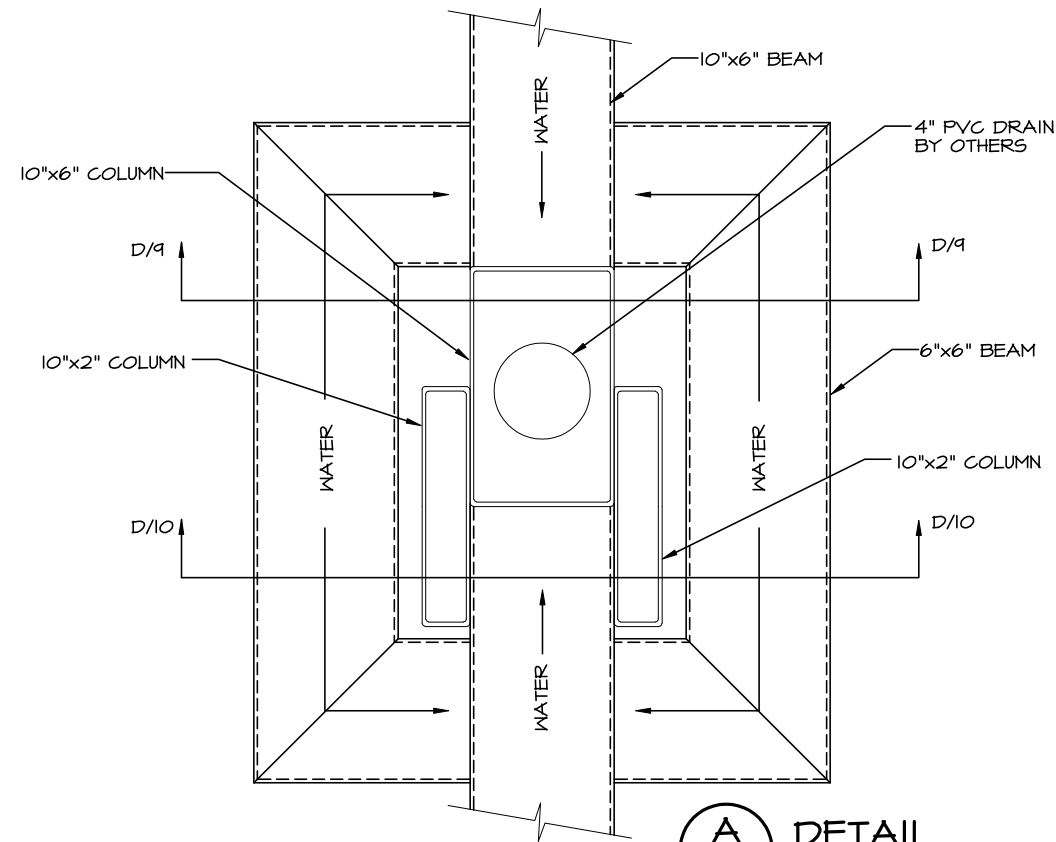
peachtree
protective
covers
1477 ROSEDALE DRIVE HIRAM, GA 30141
PHONE (770) 434-2120
FAX (770) 434-2122

JOB NAME: ST. ELIZABETH HOSPITAL BOARDMAN CAMPUS
LOCATION: BOARDMAN, OHIO
ARCHITECT: STROLLO ARCHITECTS
CONTRACTOR: YOUNGSTOWN MIRROR & GLASS

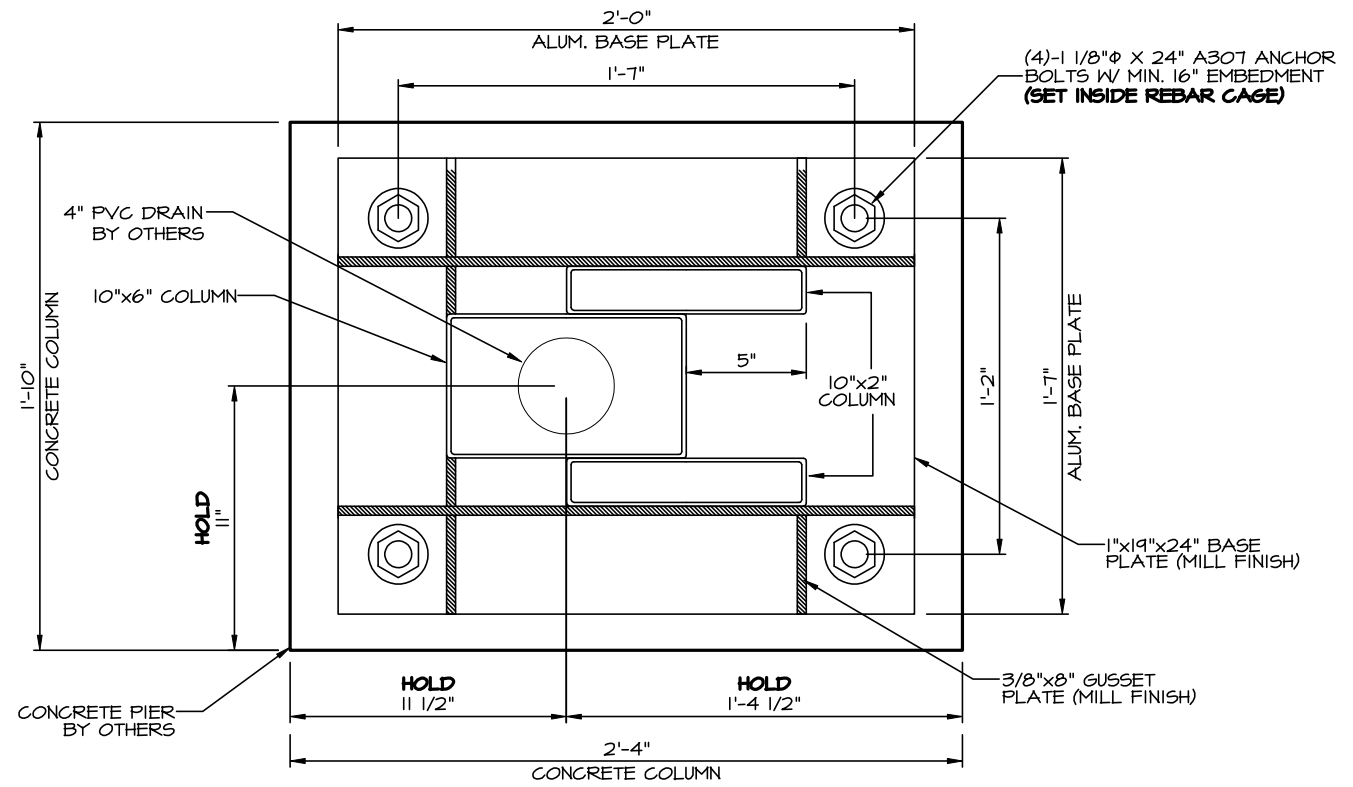
REVISIONS	

DRAWN: JLJ
SCALE: AS SHOWN
DATE: 01/09/07
JOB #
4065
SHT 8 OF 11

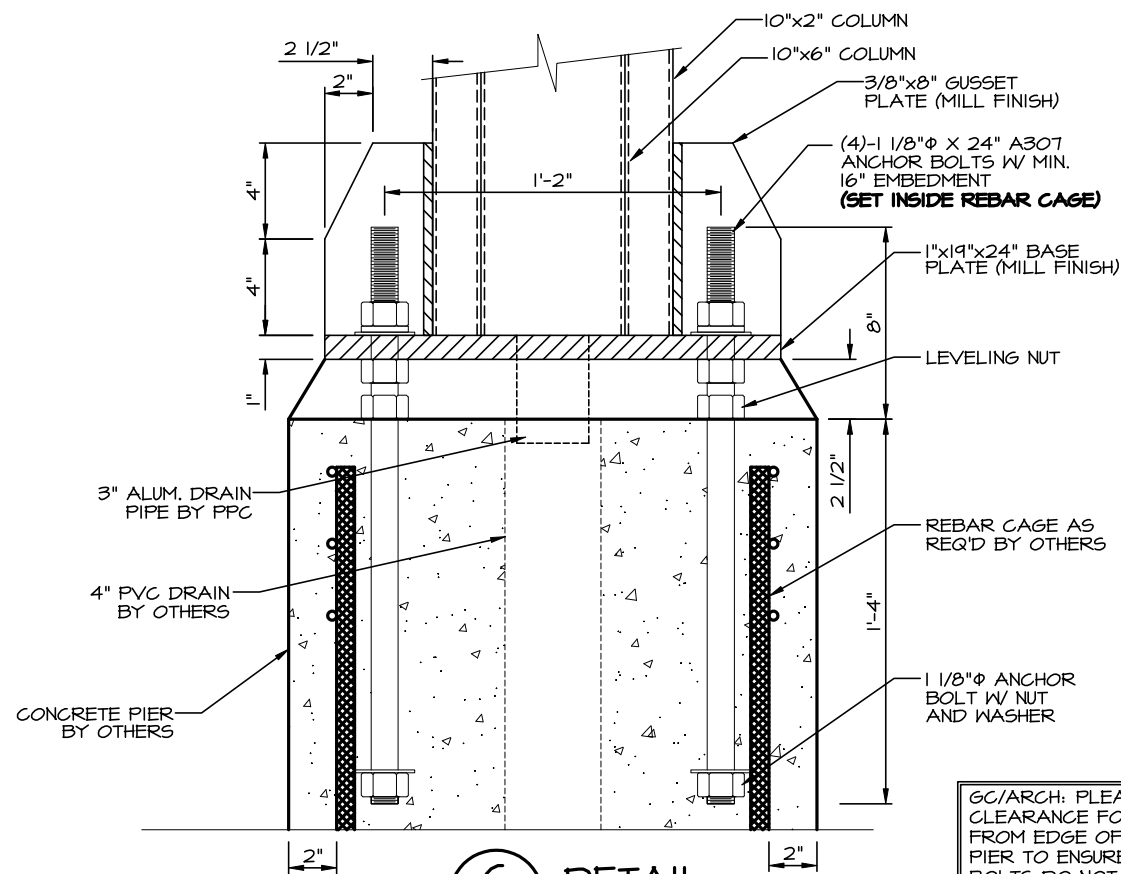
Drawing: 4065-SB1.dwg
Plotted: Jan 9, 2007



A
q
DETAIL
CANOPY B

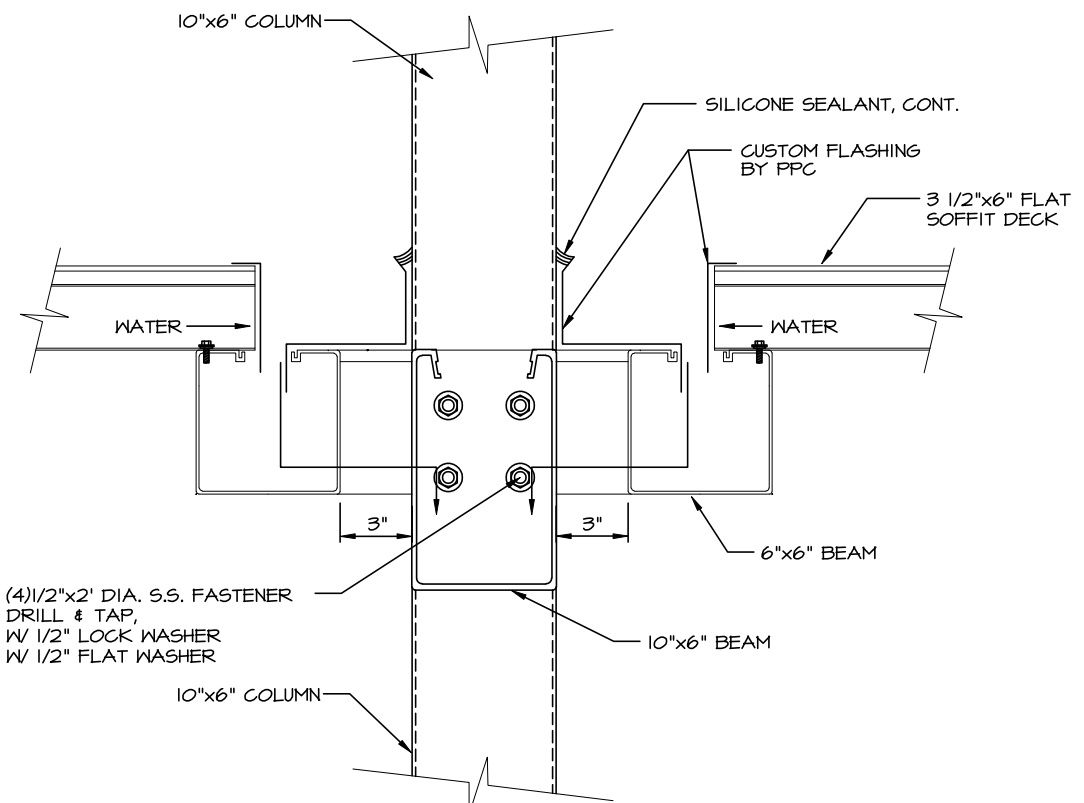


B
q
DETAIL
CANOPY B

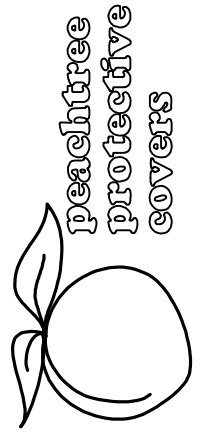


C
q
DETAIL
CANOPY B

GC/ARCH: PLEASE VERIFY CLEARANCE FOR REBAR FROM EDGE OF CONCRETE PIER TO ENSURE ANCHOR BOLTS DO NOT INTERFERE



D
q
DETAIL
CANOPY B



peachtree
protective
covers
1477 ROSEDALE DRIVE HIRAM, GA 30141
PHONE (770) 434-2120
FAX (770) 434-2122

JOB NAME: ST. ELIZABETH HOSPITAL BOARDMAN CAMPUS

LOCATION: BOARDMAN, OHIO

ARCHITECT: STROLLO ARCHITECTS

CONTRACTOR: YOUNGSTOWN MIRROR & GLASS

REVISIONS

02/14/07	JLJ

DRAWN: JLJ

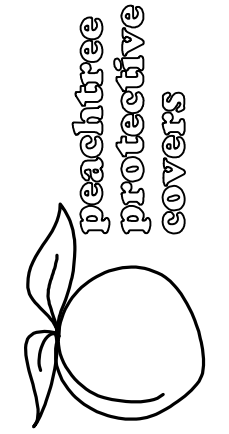
SCALE: AS SHOWN

DATE: 01/09/07

JOB #

4065

SHT 9 OF 11



PHONE (770) 434-2120
FAX (770) 434-2122
1477 ROSEDALE DRIVE
HIRAM, GA 30141

JOB NAME: ST. ELIZABETH HOSPITAL BOARDMAN CAMPUS

LOCATION: BOARDMAN, OHIO

ARCHITECT: STROLLO ARCHITECTS

CONTRACTOR: YOUNGSTOWN MIRROR & GLASS

REVISIONS

02/14/07	JLJ

DRAWN: JLJ

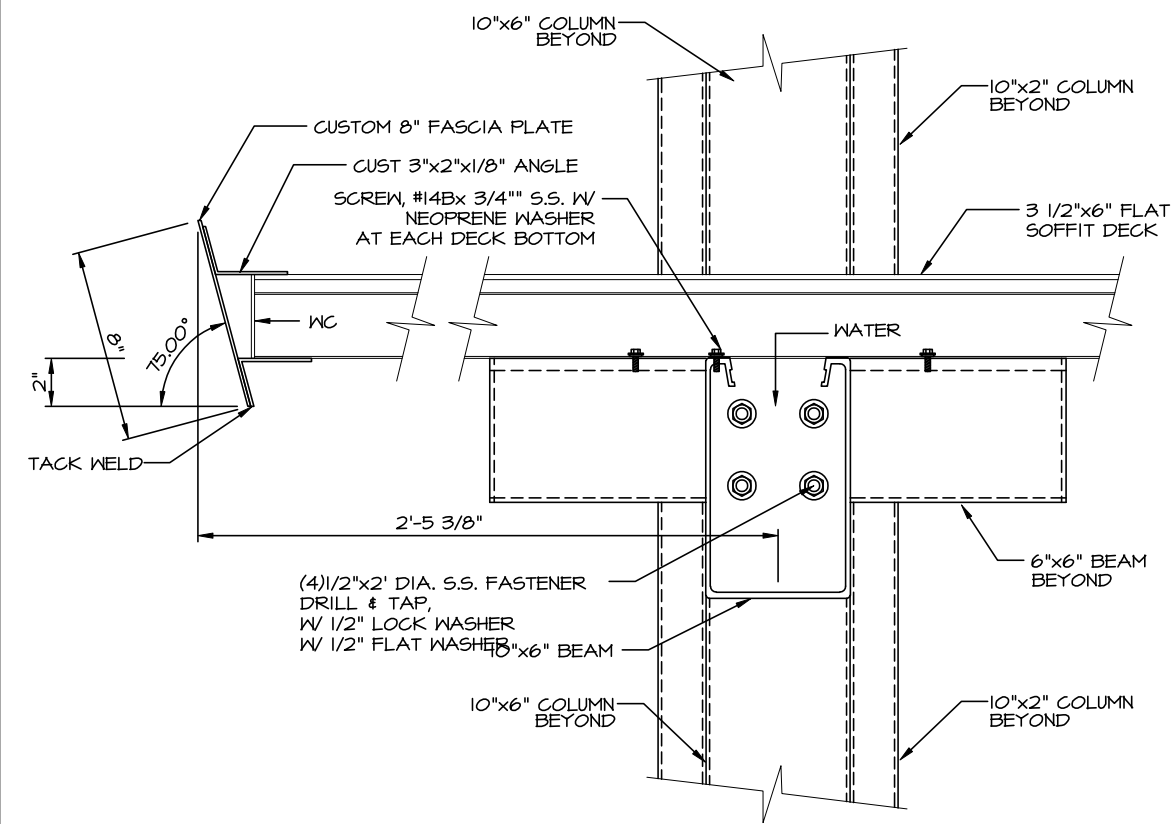
SCALE: AS SHOWN

DATE: 01/09/07

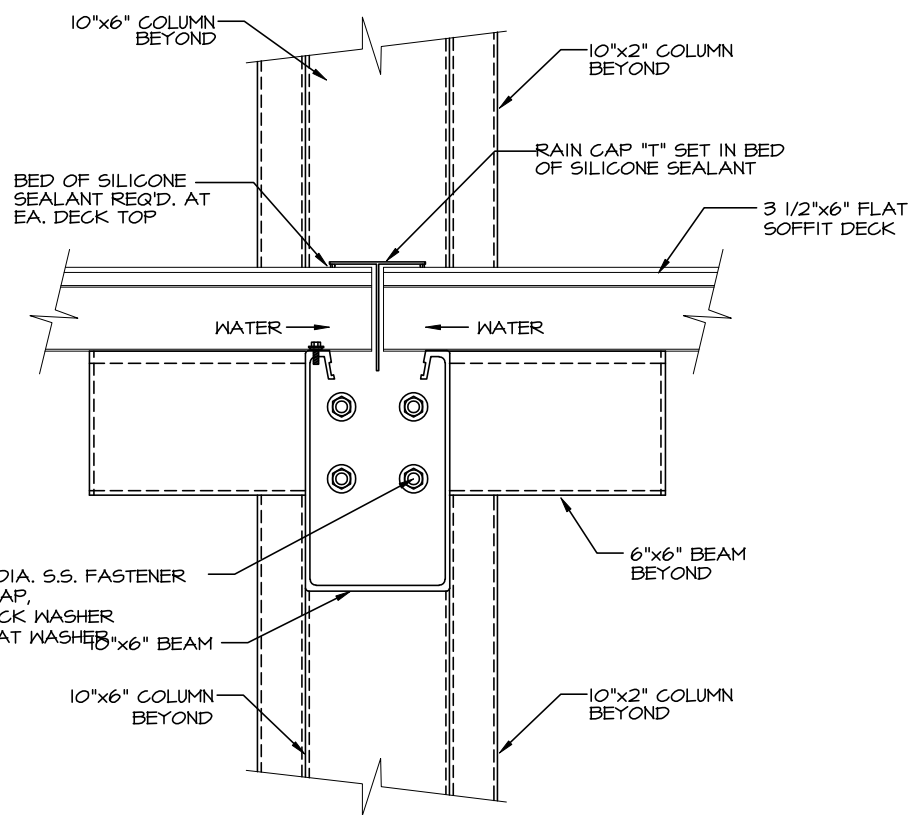
JOB #

4065

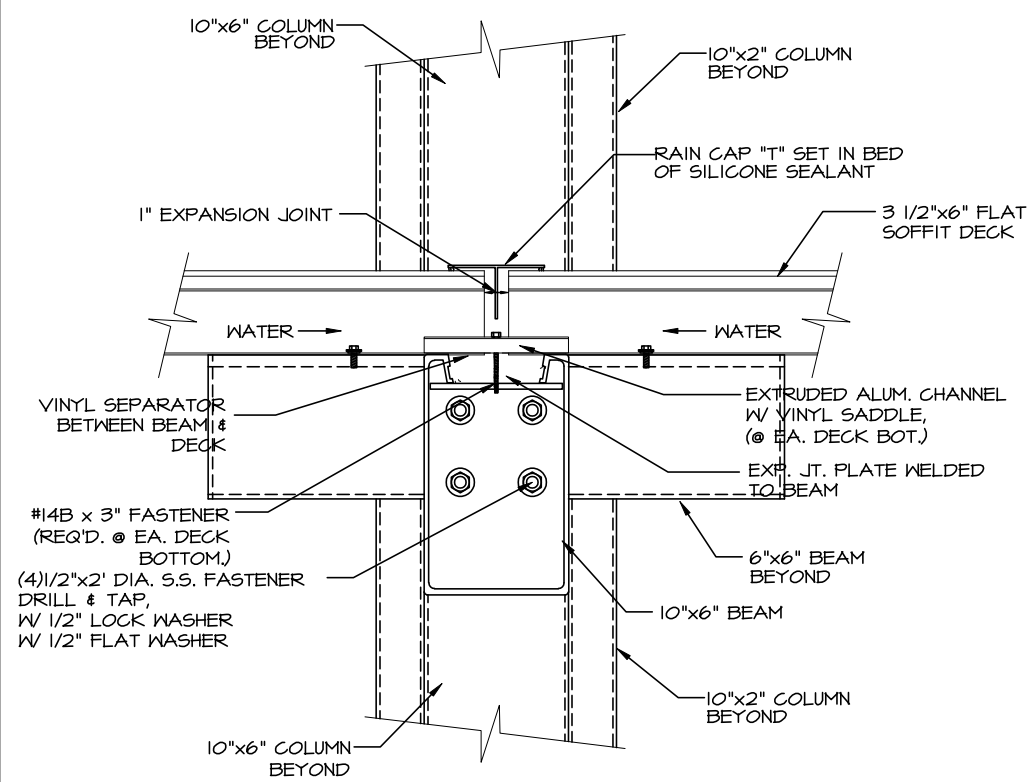
SHT 10 OF 11



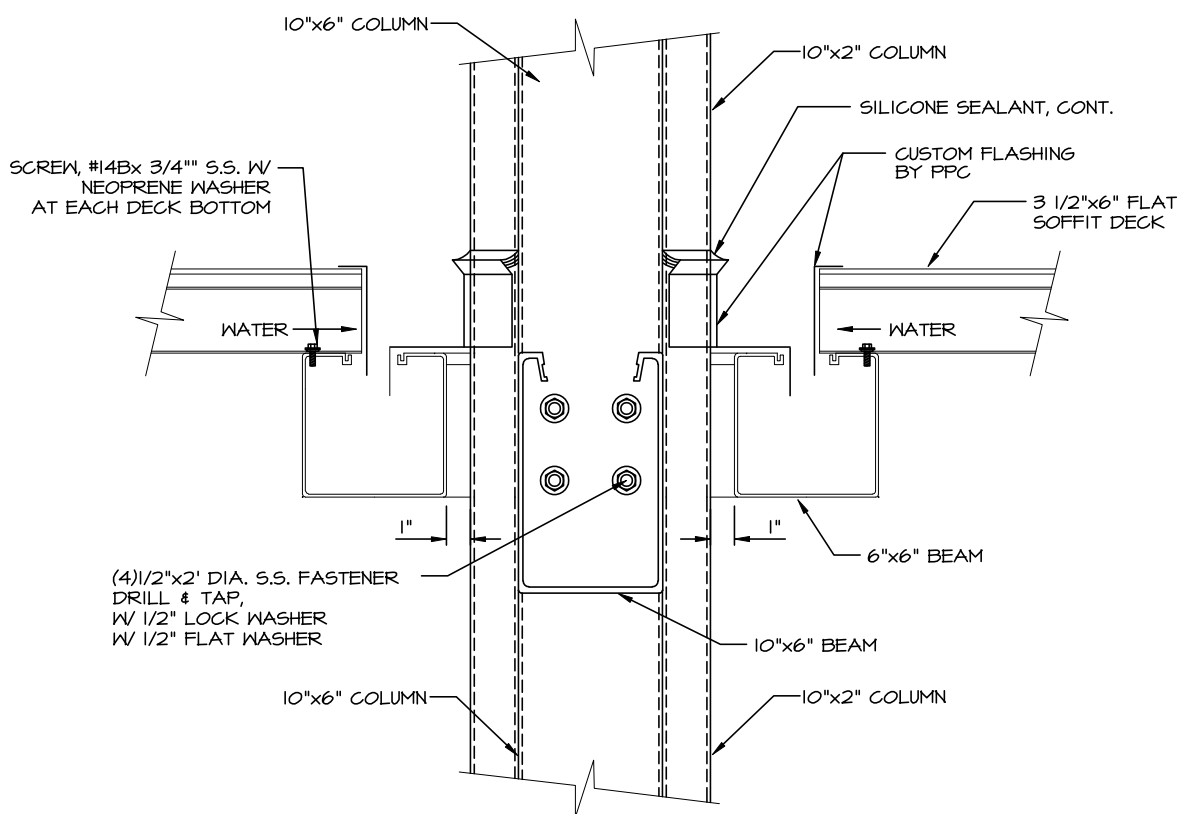
A SECTION
CANOPY B



B SECTION
CANOPY B

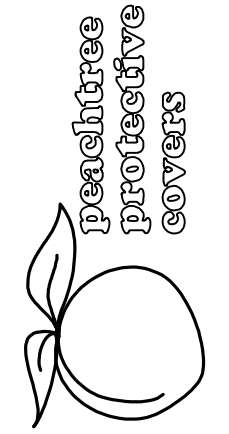


C SECTION
CANOPY B



D DETAIL
CANOPY B

Drawing: 4065-SB.dwg
Plotted: Jan 9, 2007



peachtree
protective
covers
14771 ROSEDALE DRIVE PHONE (770) 434-2120
HIRAM, GA 30141 FAX (770) 434-2122

JOB NAME: ST. ELIZABETH HOSPITAL BOARDMAN CAMPUS

LOCATION: BOARDMAN, OHIO

ARCHITECT: STROLLO ARCHITECTS

CONTRACTOR: YOUNGSTOWN MIRROR & GLASS

REVISIONS

02/14/07 JLJ	
5/5/07 RLV	

DRAWN: JLJ

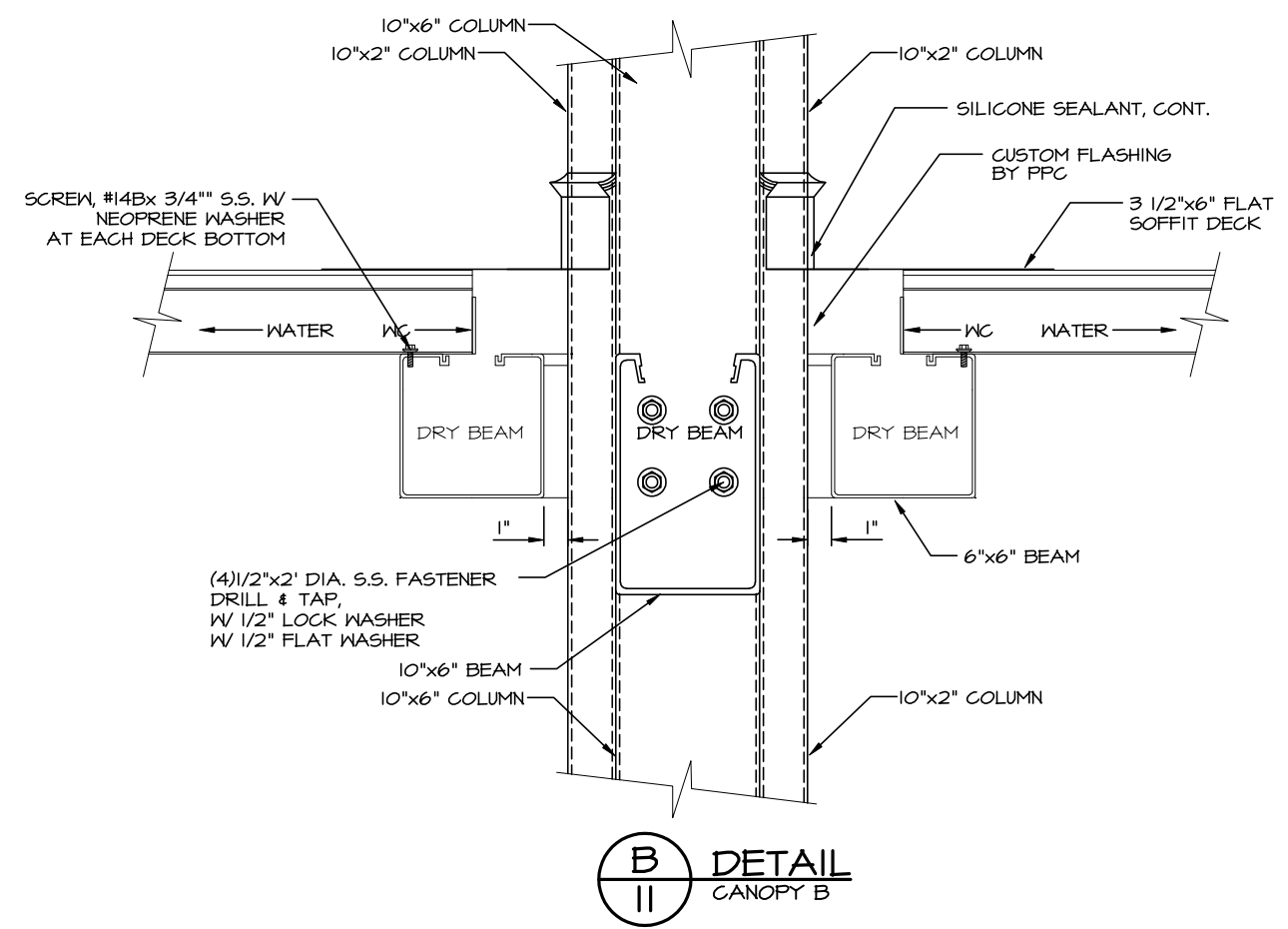
SCALE: AS SHOWN

DATE: 01/09/07

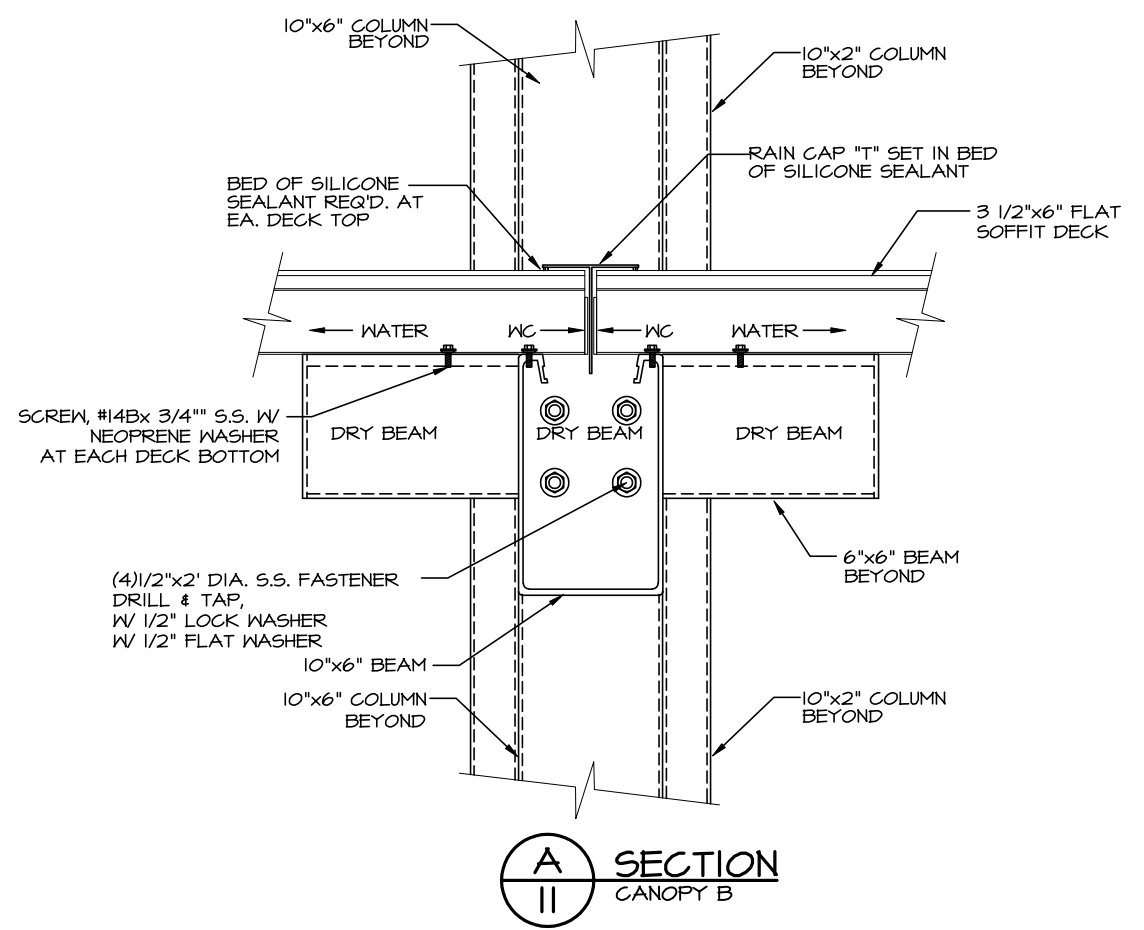
JOB #

4065

SHT 11 OF 11



B
DETAIL
CANOPY B



A
SECTION
CANOPY B

Drawing: 4065-SBliding
Plotted: Jan 9, 2007