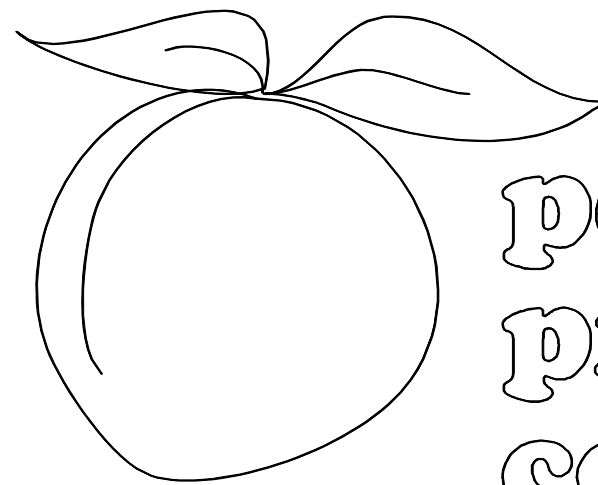


JOB # 3484



peachtree
protective
covers

J. K. POLK BUILDING &
PARKING GARAGE

CHARLOTTE, NC

BY

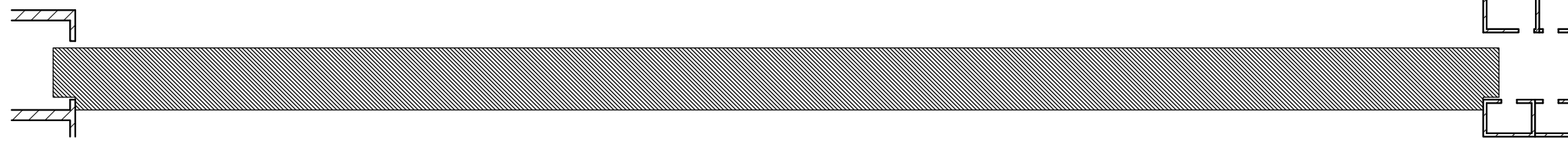
DUDA PAINE ARCHITECTS LLP

NOVEMBER 26, 2004

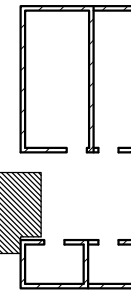
NOTE:
PEACHTREE PROTECTIVE COVERS RESERVES
THE RIGHT TO INSTALL MECHANICAL JOINTS
IN COLUMNS THAT EXCEED SHIPPING LIMITATIONS.

1477 ROSEDALE DRIVE
HIRAM, GA 30141
(770) 439-2120
fax (770) 439-2122

EXISTING BUILDING
F.F. = 592.00'
FIELD SHOOT FFE=4.18'

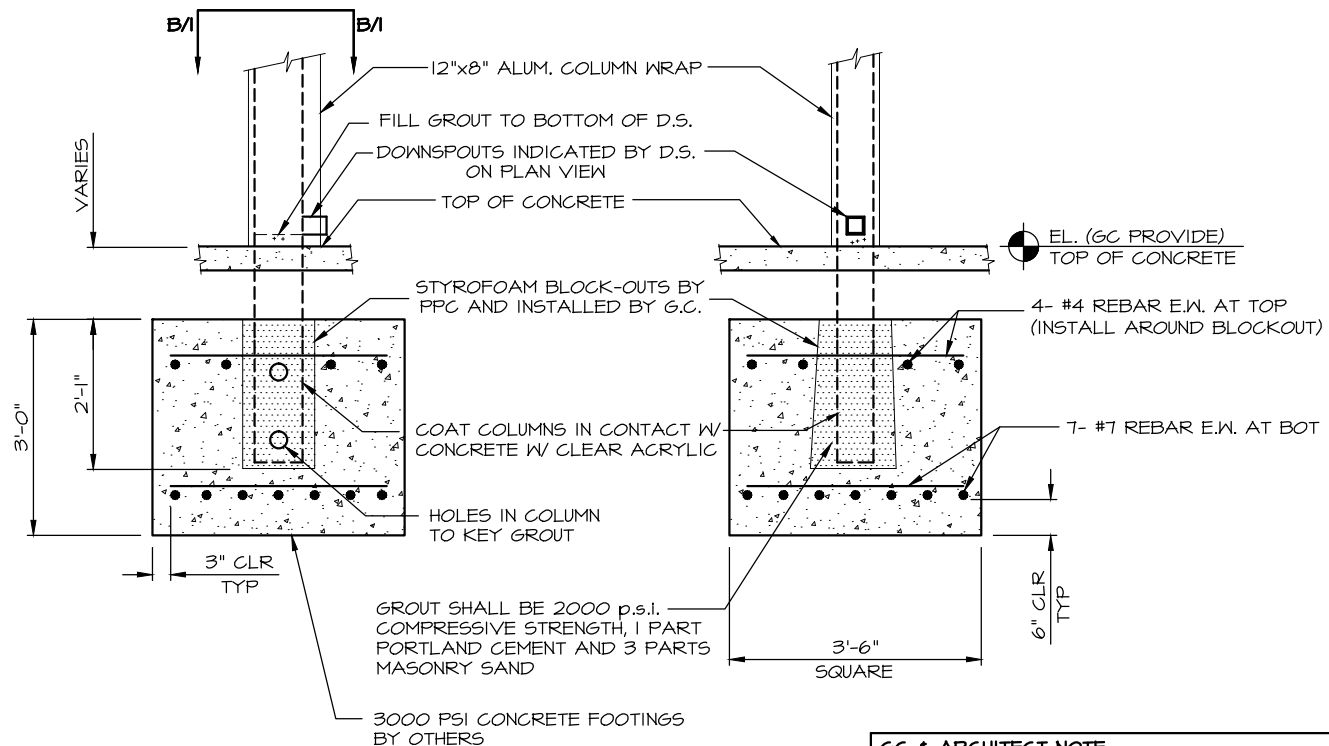


EXISTING BUILDING
F.F. = 592.00'
FIELD SHOOT FFE=3.87'
FIELD SHOOT BOS=+6.84'



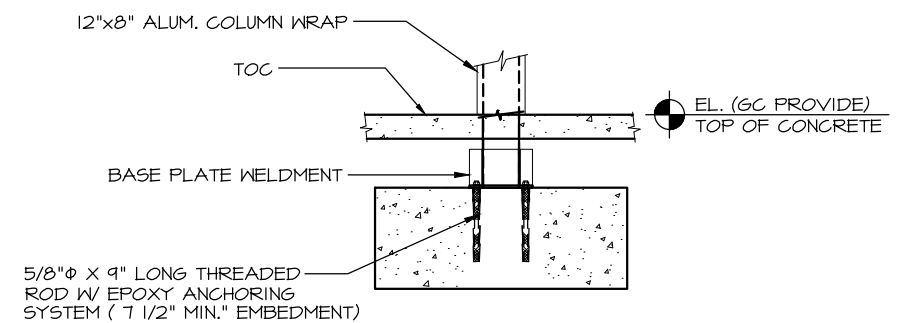
KEY PLAN

N.T.S.



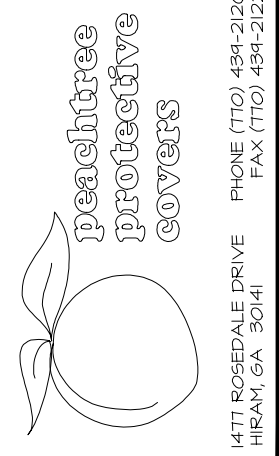
(A) FOOTING DETAIL

GC & ARCHITECT NOTE:
THE CANOPY FOOTING SIZE IS BASED ON WIND UPLIFT AND AN ALLOWABLE SOIL BEARING CAPACITY OF 2500 PSF. FOOTING BOTTOMS TO BE APPROVED FOR 2500 PSF BEARING BY A QUALIFIED GEOTECHNICAL ENGINEER. IF THE BEARING CAPACITY IS LESS THAN 2500 PSF, THE CONTRACTOR SHALL NOTIFY PPC ENGINEER FOR REDESIGN OF CANOPY FOOTINGS.



(B) FOOTING DETAIL
BT-1 & 2B ONLY

FINISH SCHEDULE		
DESCRIPTION	FINISH	COLOR
3 1/2"x6" FLAT SOFFIT DECK	ANODIZED	CLEAR, CLASS I
CUSTOM FASCIA	ANODIZED	CLEAR, CLASS I
8"x6" COLUMN	ANODIZED	CLEAR, CLASS I
8"x6" BEAM	ANODIZED	CLEAR, CLASS I
4"x4" TUBE	ANODIZED	CLEAR, CLASS I



1477 ROSEDALE DRIVE
HIRAM, GA 30141
PHONE (770) 439-2120
FAX (770) 439-2122

JOB NAME: J. K. POLK BUILDING & PARKING DECK
LOCATION: CHARLOTTE, NC
ARCHITECT: DUDA PAINE ARCHITECTS LLP
CONTRACTOR: RODGERS DOOLEY

REVISIONS
11/26/04 RLV

DRAWN: LISA
SCALE: AS SHOWN

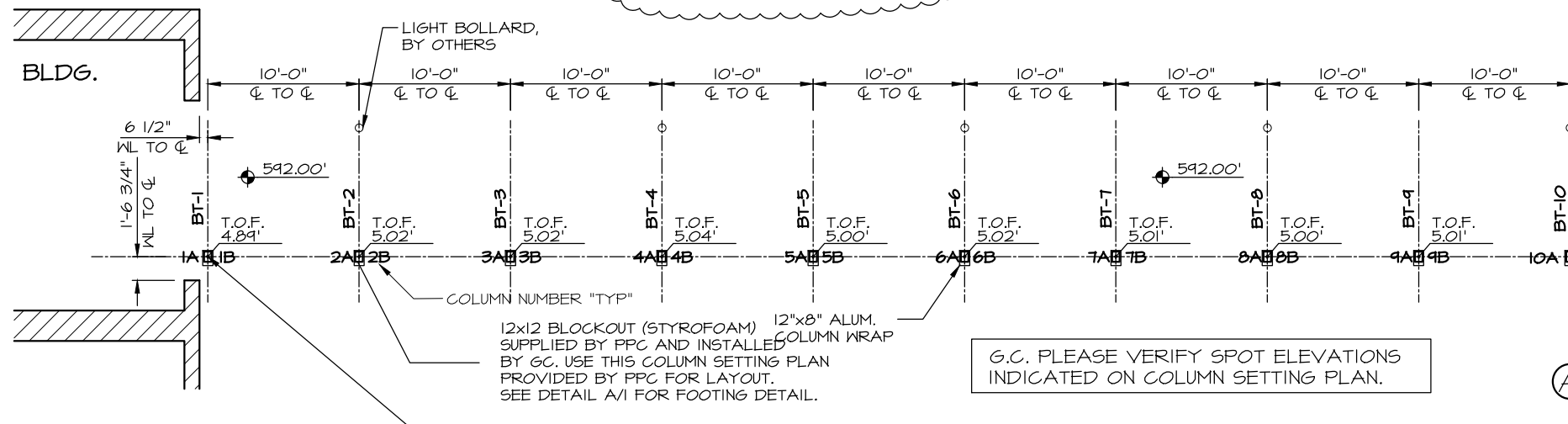
DATE: 10/8/04
JOB #
3484
SHT 1 OF 5

EXISTING BUILDING

F.F. = 592.00'
FIELD SHOOT FFE=4.18'

GC / ARCHITECT & INSTALLER NOTE:
ALL ELEVATIONS ARE TO TOP OF
FOOTING BELOW SIDEWALK

MATCH LINE
THIS SHEET



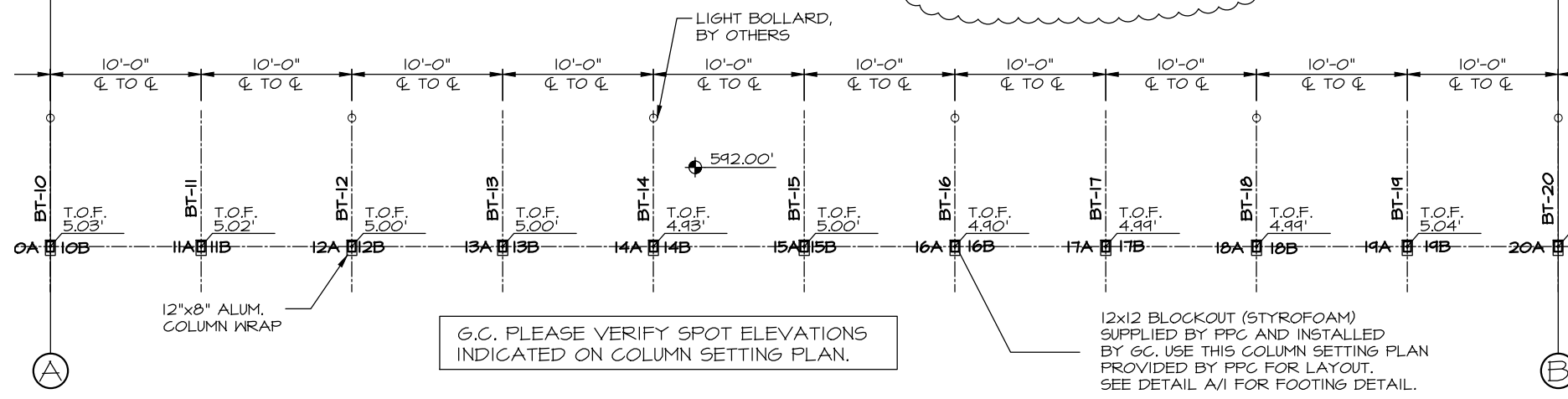
12x12 BLOCKOUT (STYROFOAM) 12"x8" ALUM.
SUPPLIED BY PPC AND INSTALLED BY GC. USE THIS COLUMN SETTING PLAN
PROVIDED BY PPC FOR LAYOUT.
SEE DETAIL A/1 FOR FOOTING DETAIL.

G.C. PLEASE VERIFY SPOT ELEVATIONS
INDICATED ON COLUMN SETTING PLAN.

MATCH LINE
THIS SHEET

GC / ARCHITECT & INSTALLER NOTE:
ALL ELEVATIONS ARE TO TOP OF
FOOTING BELOW SIDEWALK

MATCH LINE
THIS SHEET

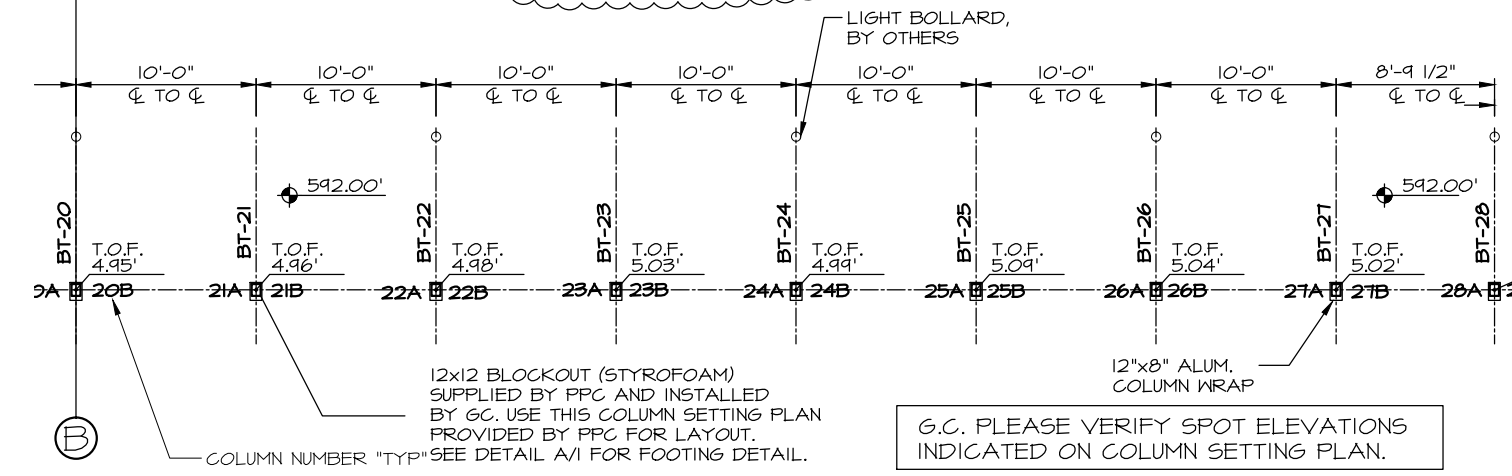
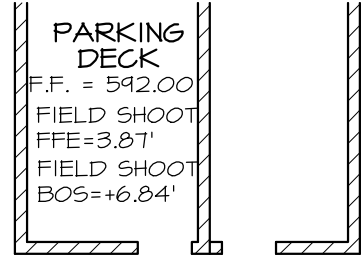


G.C. PLEASE VERIFY SPOT ELEVATIONS
INDICATED ON COLUMN SETTING PLAN.

12x12 BLOCKOUT (STYROFOAM)
SUPPLIED BY PPC AND INSTALLED
BY GC. USE THIS COLUMN SETTING PLAN
PROVIDED BY PPC FOR LAYOUT.
SEE DETAIL A/1 FOR FOOTING DETAIL.

MATCH LINE
THIS SHEET

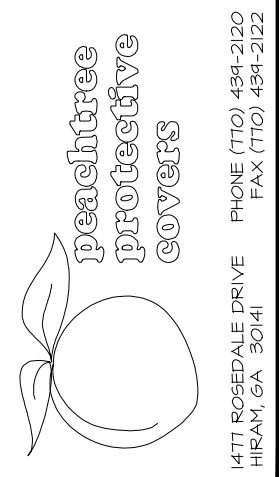
GC / ARCHITECT & INSTALLER NOTE:
ALL ELEVATIONS ARE TO TOP OF
FOOTING BELOW SIDEWALK



12x12 BLOCKOUT (STYROFOAM)
SUPPLIED BY PPC AND INSTALLED
BY GC. USE THIS COLUMN SETTING PLAN
PROVIDED BY PPC FOR LAYOUT.
SEE DETAIL A/1 FOR FOOTING DETAIL.

G.C. PLEASE VERIFY SPOT ELEVATIONS
INDICATED ON COLUMN SETTING PLAN.

COLUMN SETTING PLAN
SCALE: 3/32"=1'-0"



1477 ROSEDALE DRIVE HIRAM, GA 30141
PHONE (770) 439-2120
FAX (770) 439-2122

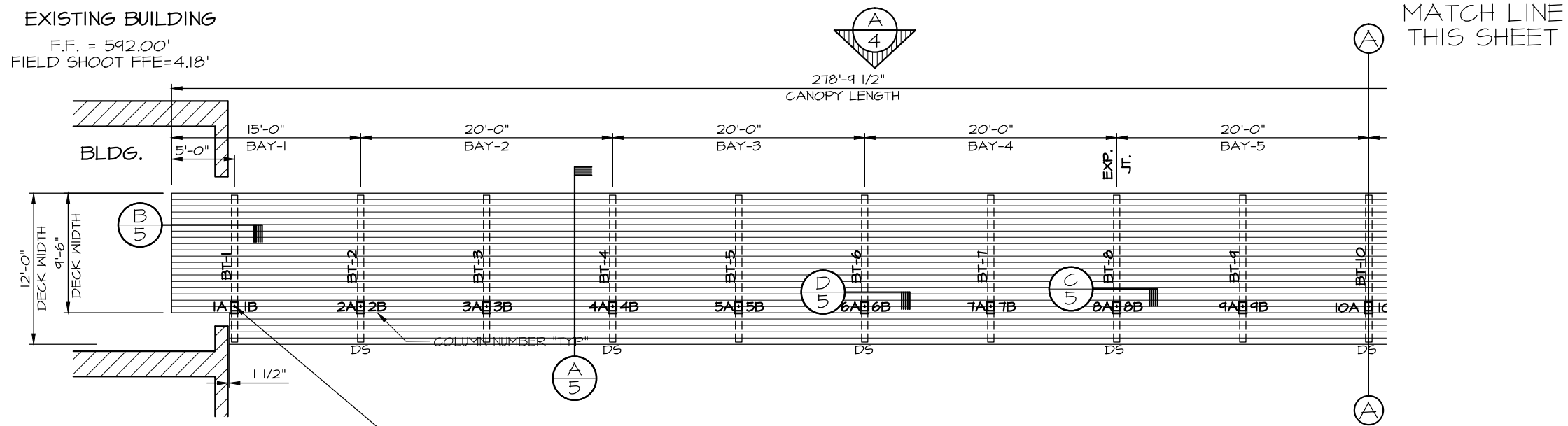
JOB NAME: J. K. POLK BUILDING & PARKING DECK
LOCATION: CHARLOTTE, NC
ARCHITECT: DUDA PAINE ARCHITECTS LLP
CONTRACTOR: RODGERS DOOLEY

REVISIONS	
11/26/04	RLV

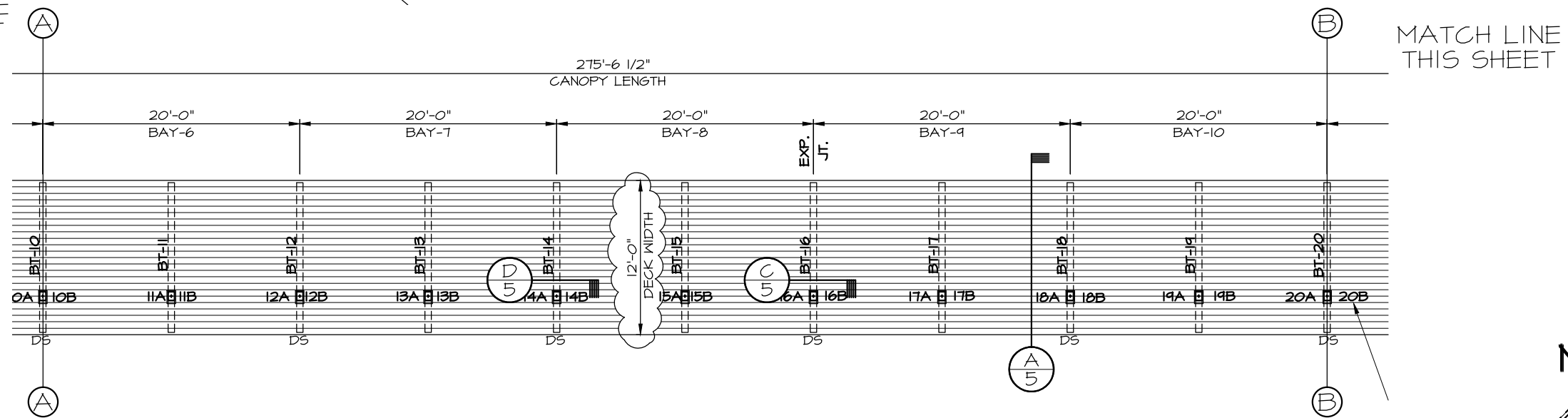
DRAWN: LISA
SCALE: AS SHOWN
DATE: 10/8/04
JOB # 3484
SHT 2 OF 5

EXISTING BUILDING

F.F. = 592.00'
FIELD SHOOT FFE=4.18'

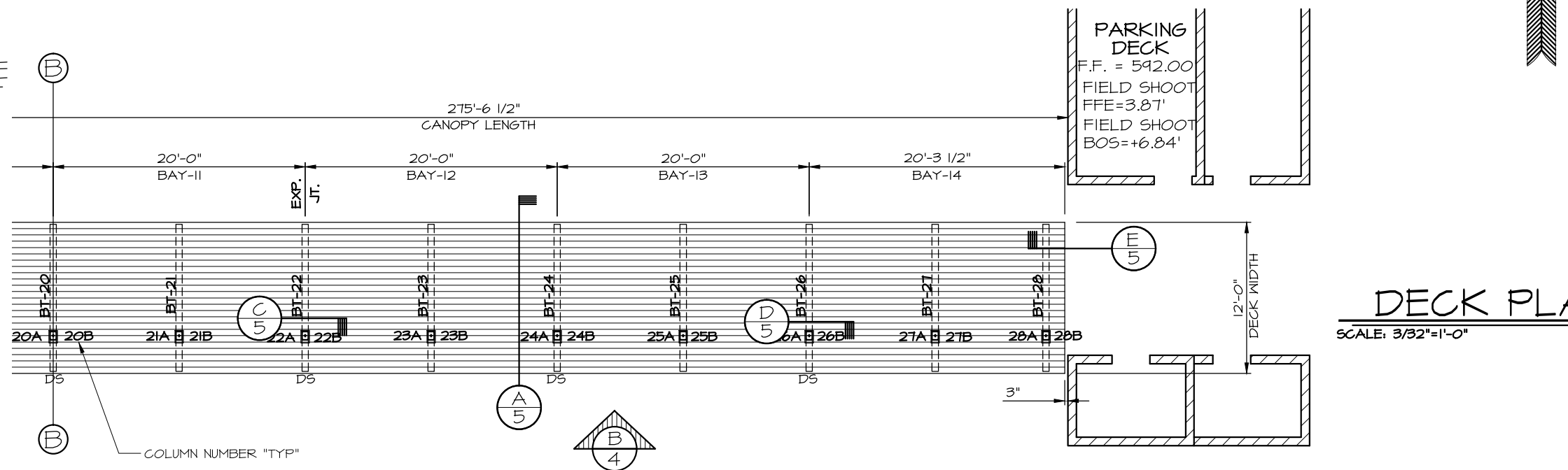


MATCH LINE THIS SHEET



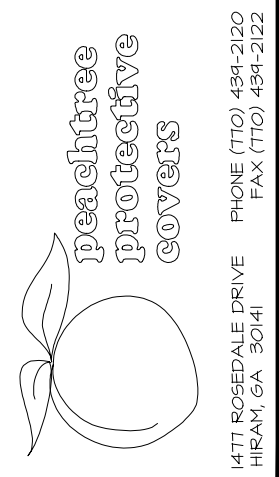
MATCH LINE THIS SHEET

MATCH LINE THIS SHEET



DECK PLAN

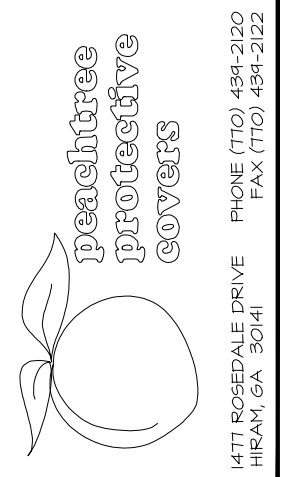
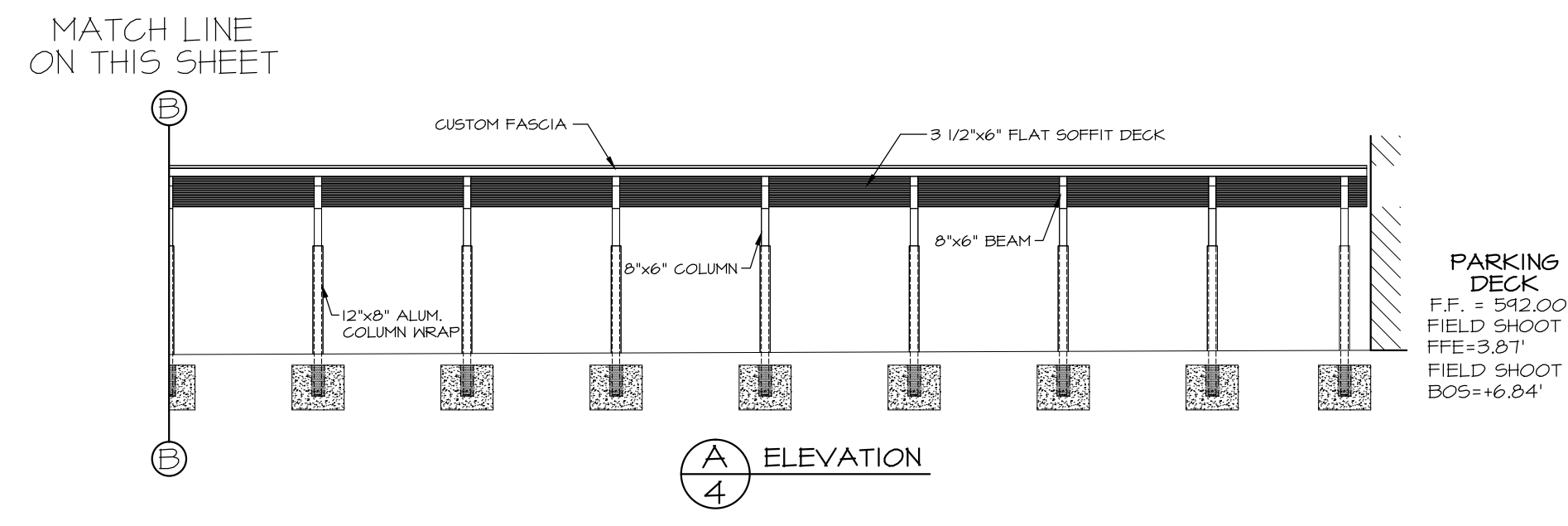
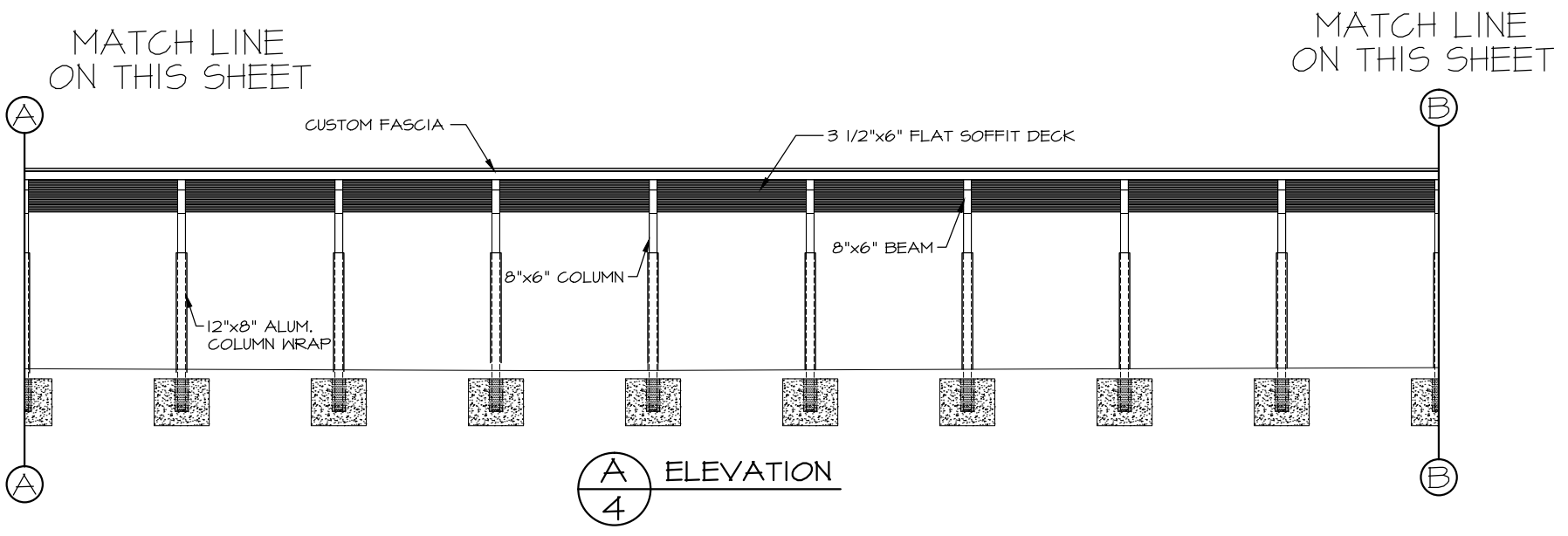
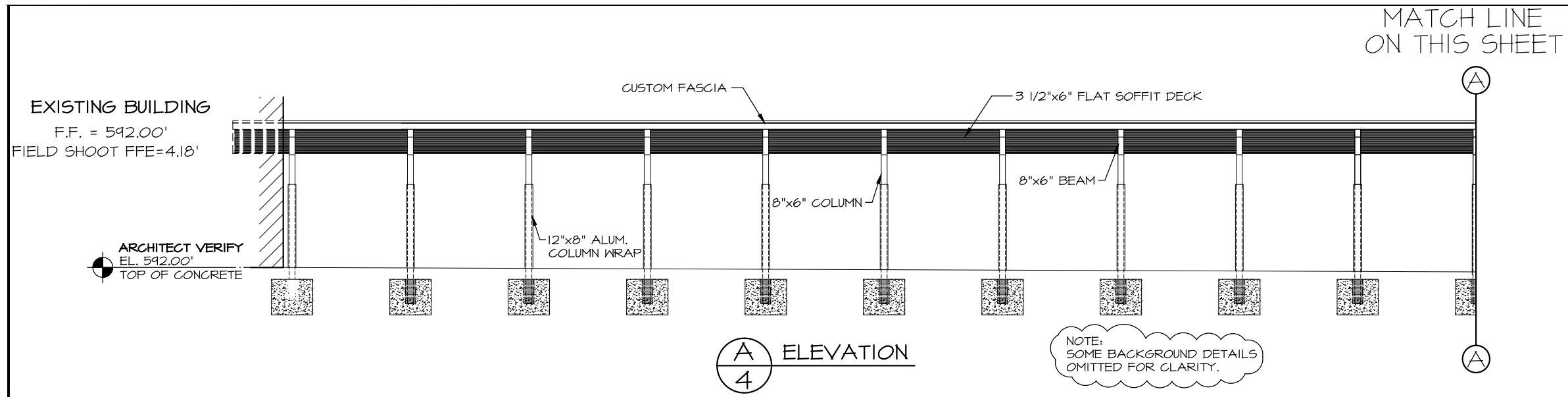
SCALE: 3/32"=1'-0"



1477 ROSEDALE DRIVE
HIRAM, GA 30141
PHONE (770) 439-2120
FAX (770) 439-2122

JOB NAME: J. K. POLK BUILDING & PARKING DECK
LOCATION: CHARLOTTE, NC
ARCHITECT: DUDA PAINE ARCHITECTS LLP
CONTRACTOR: RODGERS DOOLEY

REVISIONS	
11-6-04 RLV	
DRAWN: LISA	
SCALE: AS SHOWN	
DATE: 10/8/04	
JOB #	
3484	
SHT 3 OF 5	

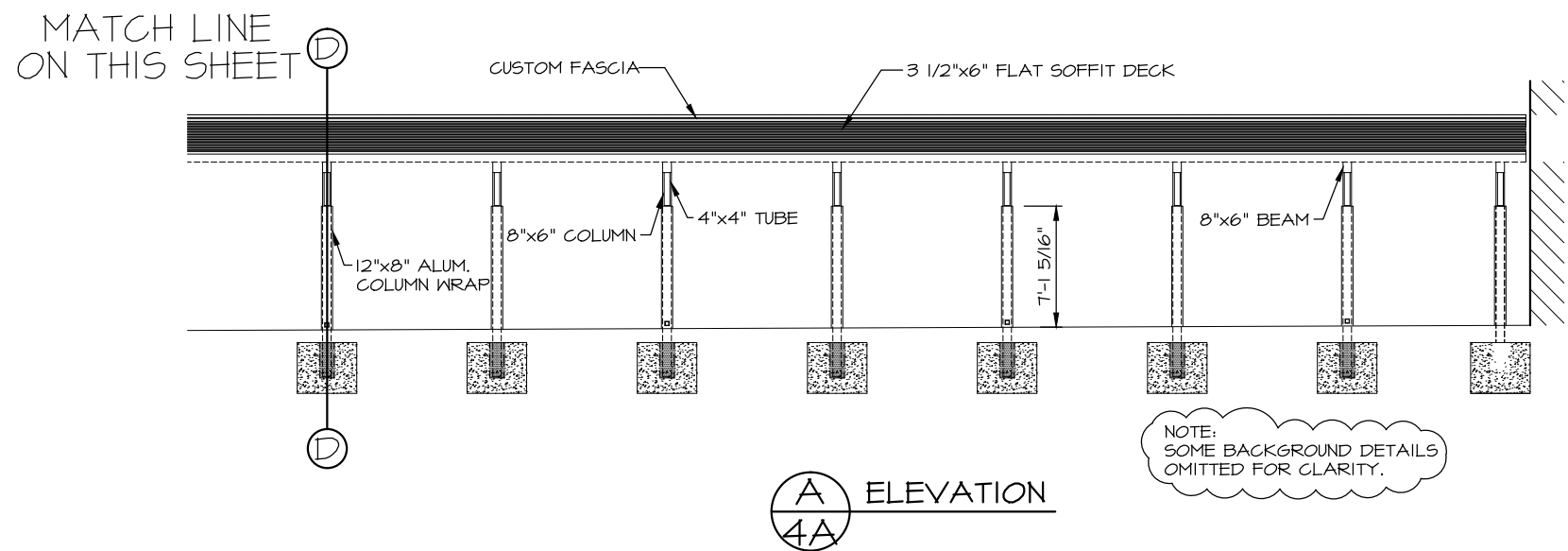
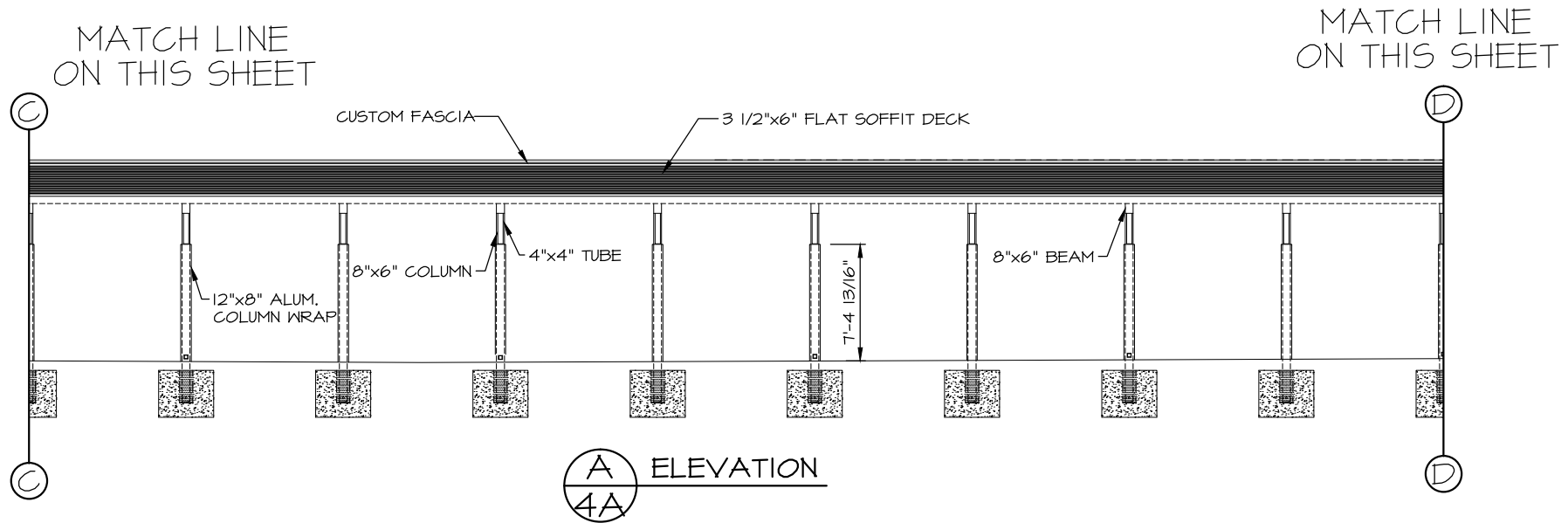
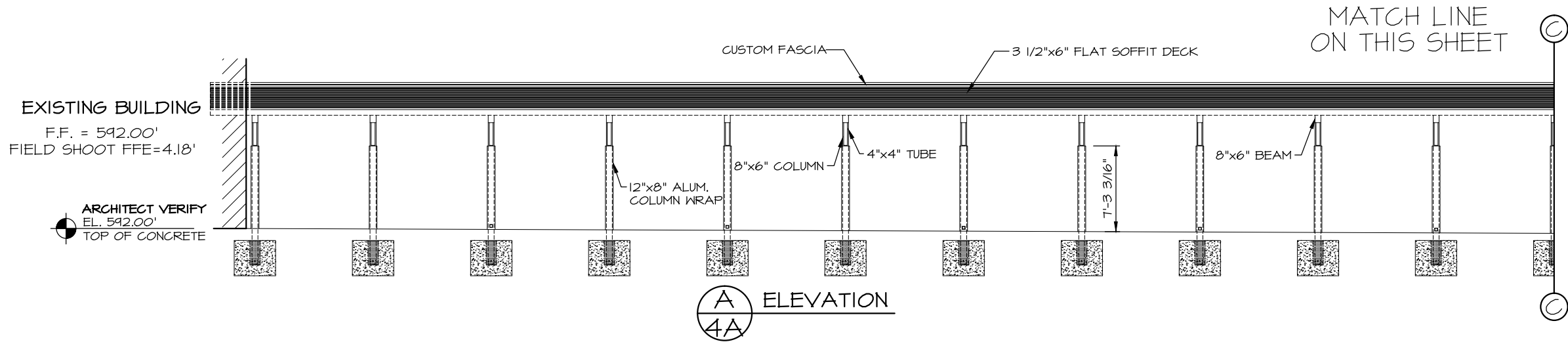


JOB NAME: J. K. POLK BUILDING & PARKING DECK
LOCATION: CHARLOTTE, NC
ARCHITECT: DUDA PAINE ARCHITECTS LLP
CONTRACTOR: RODGERS DOOLEY

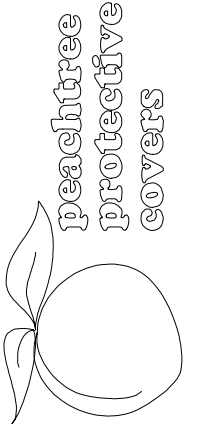
REVISIONS	
11-6-04 RLV	

DRAWN: LISA
SCALE: AS SHOWN
DATE: 10/8/04

JOB #
3484
SHT 4 OF 5



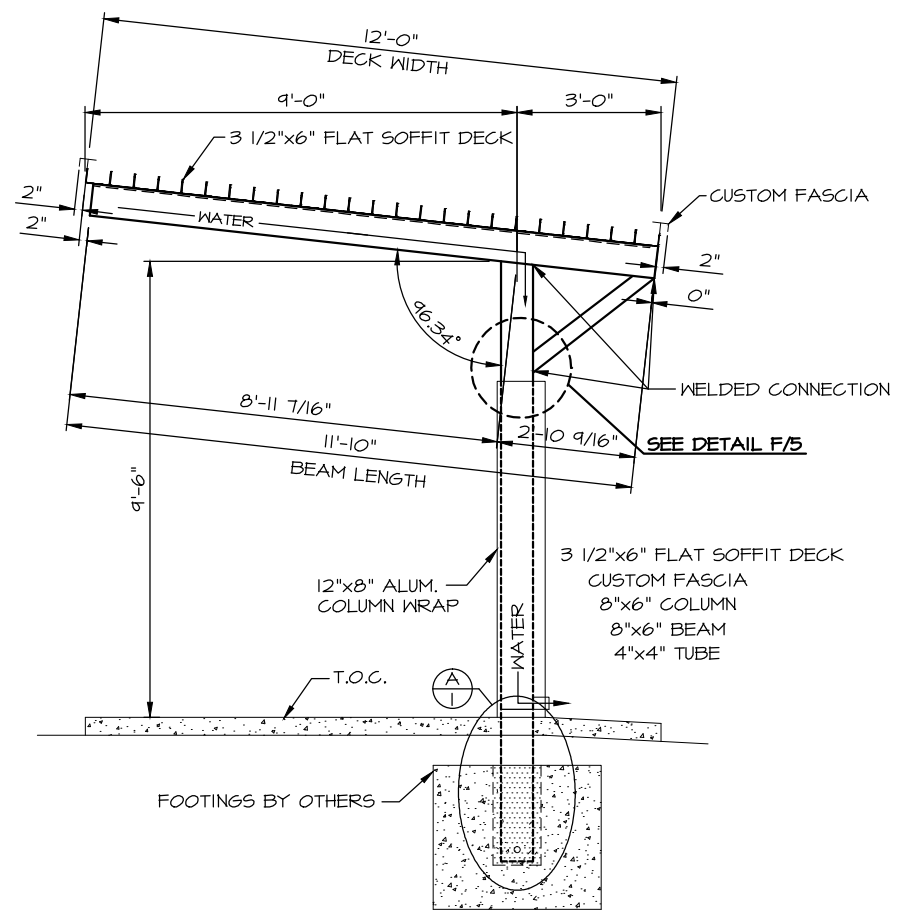
PARKING DECK
 F.F. = 592.00'
 FIELD SHOOT
 FFE=3.87'
 FIELD SHOOT
 BOS=+6.84'



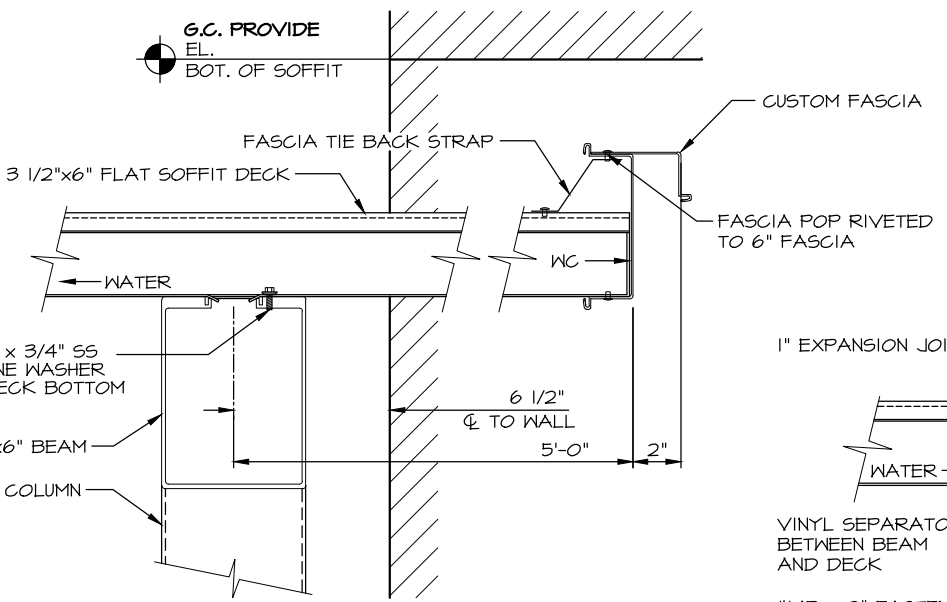
1477 ROSEDALE DRIVE
 HIRAM, GA 30141
 PHONE (770) 434-2120
 FAX (770) 434-2122

JOB NAME: J. K. POLK BUILDING & PARKING DECK
 LOCATION: CHARLOTTE, NC
 ARCHITECT: DUDA PAINE ARCHITECTS LLP
 CONTRACTOR: RODGERS DOOLEY

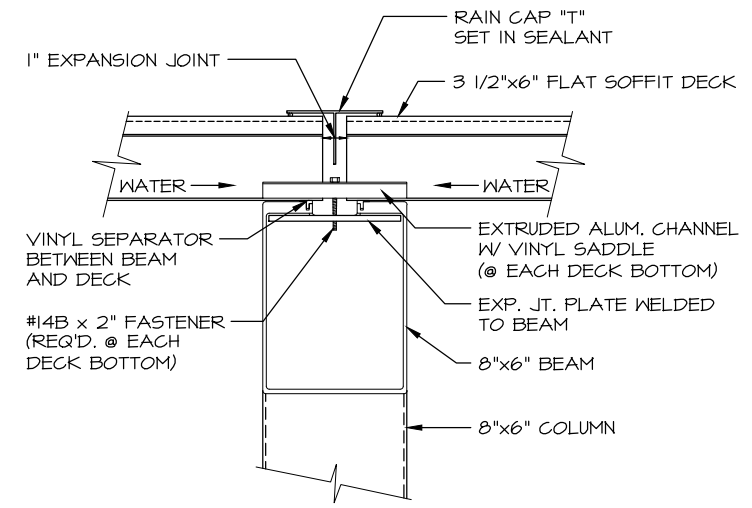
REVISIONS	
11-6-04 RLV	
DRAWN: LISA	
SCALE: AS SHOWN	
DATE: 10/8/04	
JOB #	
3484	
SHT 4A OF 5	



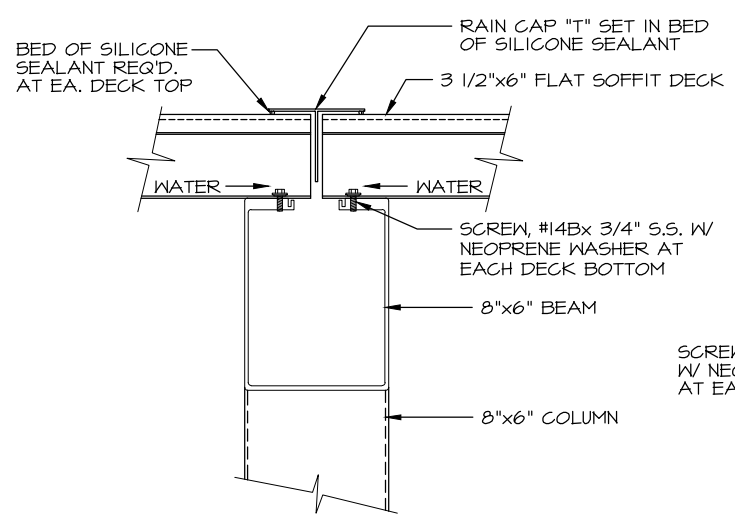
A
5 SECTION



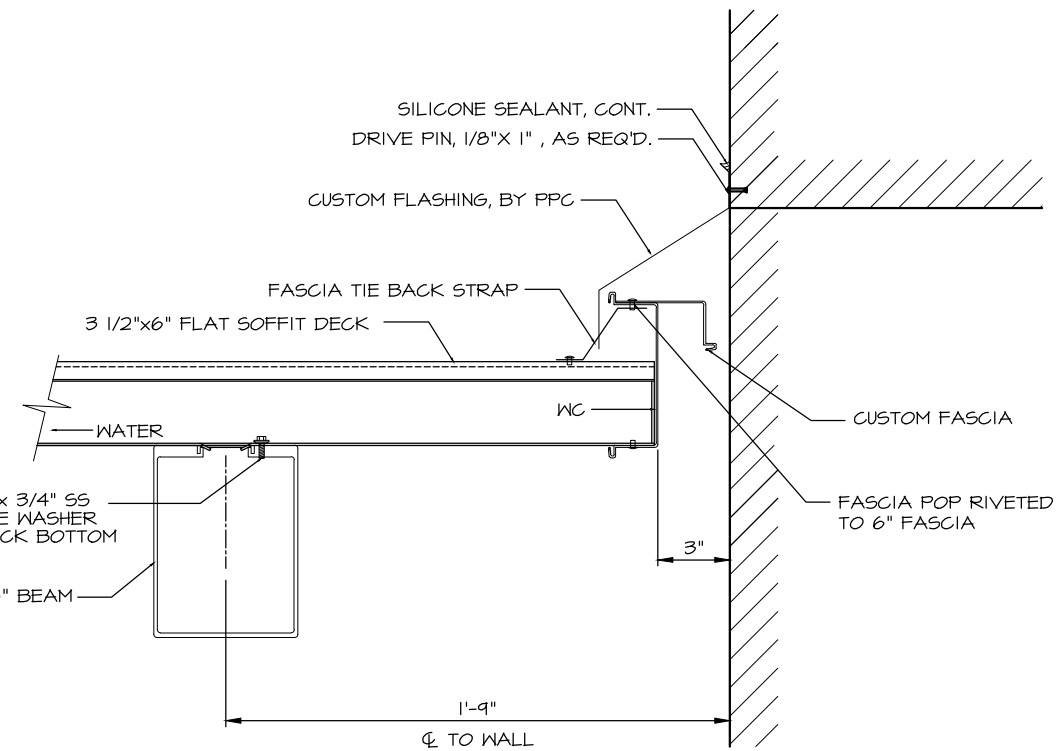
B
5 SECTION
BLDG.



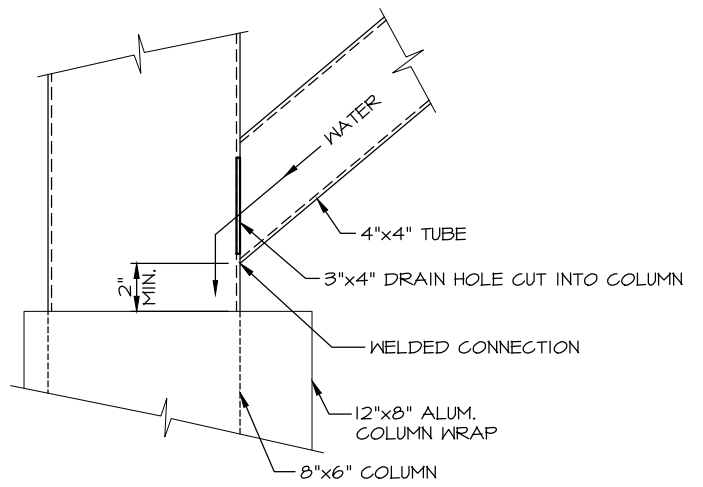
C
5 SECTION



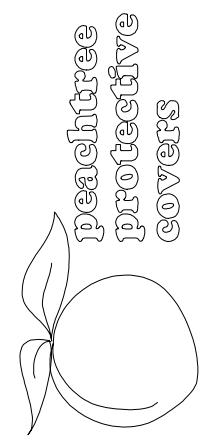
D
5 SECTION



E
5 SECTION
PARKING DECK



F
5 DETAIL



1477 ROSEDALE DRIVE HIRAM, GA 30141
 PHONE (770) 439-2120 FAX (770) 439-2122

JOB NAME: J. K. POLK BUILDING & PARKING DECK
 LOCATION: CHARLOTTE, NC
 ARCHITECT: DUDA PAINE ARCHITECTS LLP
 CONTRACTOR: RODGERS DOOLEY

REVISIONS	
11-6-04	RLV

DRAWN: LISA

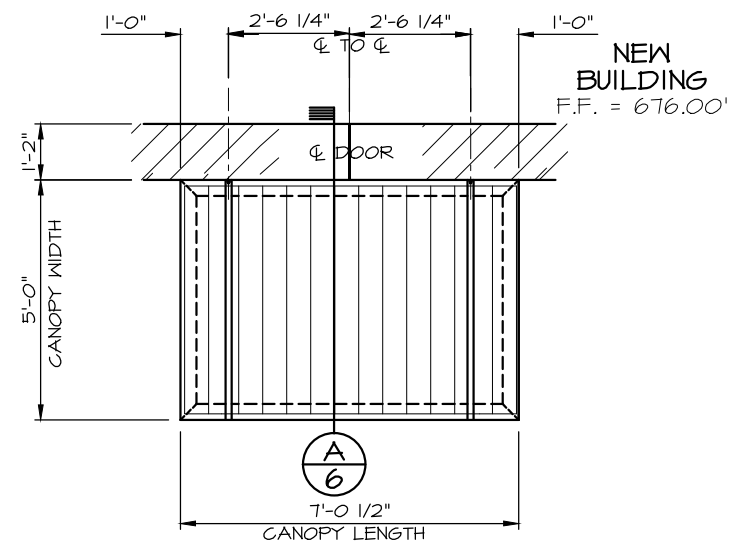
SCALE: AS SHOWN

DATE: 10/8/04

JOB #

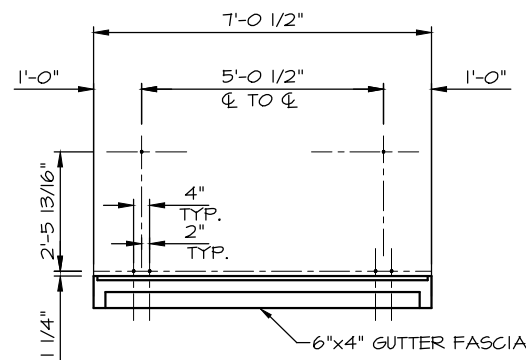
3484

SHT 5 OF 5

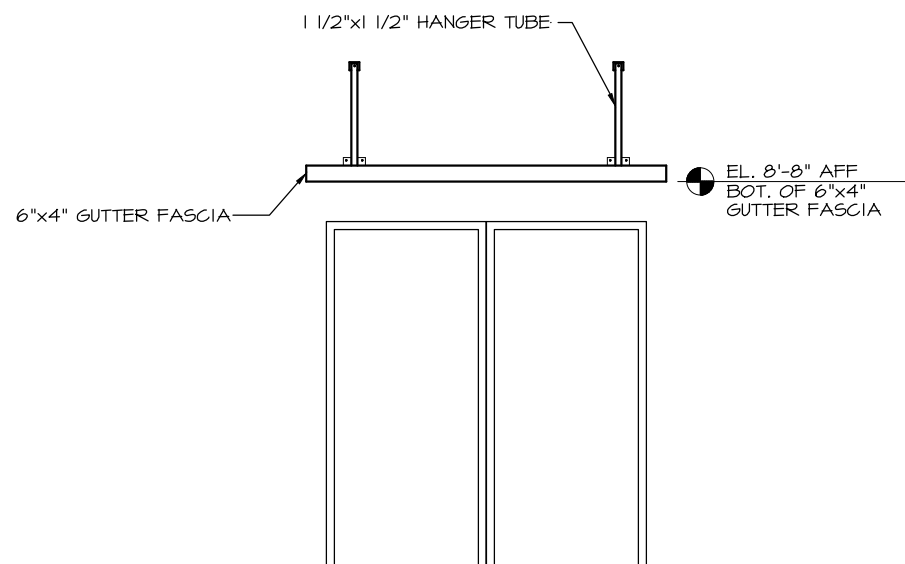


CANOPY PLAN VIEW

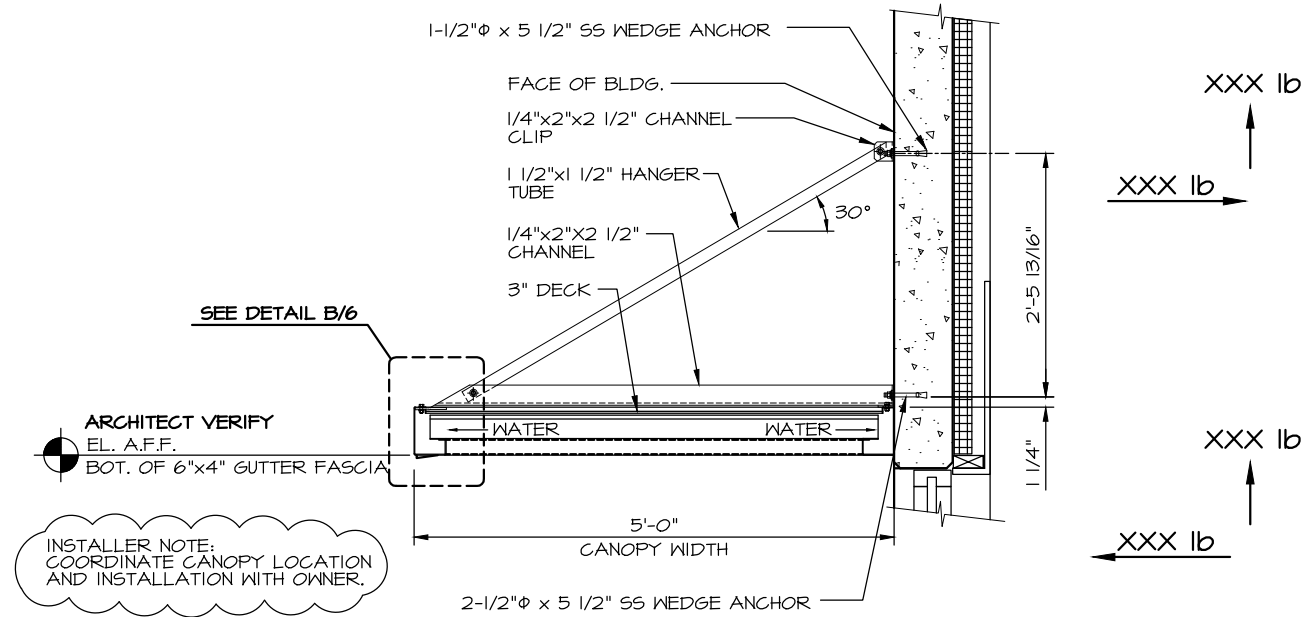
CHANGE ORDER #1



BOLT SETTING ELEVATION



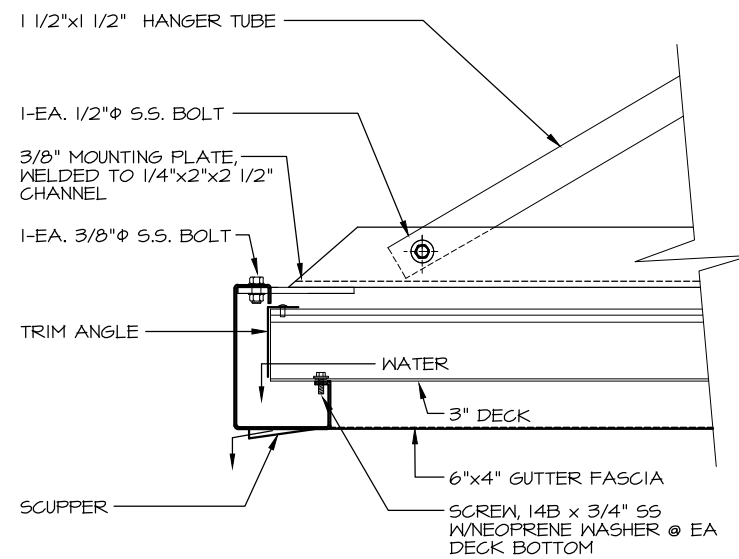
ELEVATION



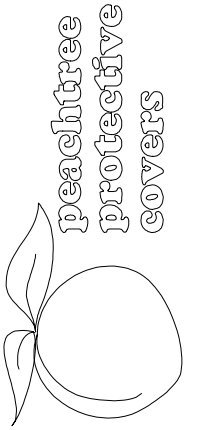
A SECTION

ARCHITECT VERIFY
EL. A.F.F.
BOT. OF 6"x4" GUTTER FASCIA

INSTALLER NOTE:
COORDINATE CANOPY LOCATION
AND INSTALLATION WITH OWNER.



B DETAIL



1477 ROSEDALE DRIVE HIRAM, GA 30141
PHONE (770) 439-2120 FAX (770) 439-2122

JOB NAME: J. K. POLK BUILDING & PARKING DECK

LOCATION: CHARLOTTE, NC

ARCHITECT: DUDA PAINE ARCHITECTS LLP

CONTRACTOR: RODGERS DOOLEY

REVISIONS	
1/12/05	

DRAWN: LISA

SCALE: AS SHOWN

DATE: 10/8/04

JOB #
3484
SHT 6 OF 6