

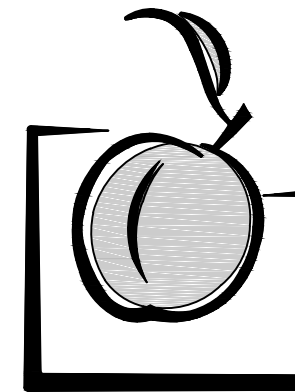
JOB NAME: ACADEMY OF OUR LADY NEW HIGH SCHOOL

CUSTOMER: CITADEL BUILDERS, LLC

ARCHITECT: BURGDAHL & GRAVES, AIA

LOCATION: MARRERO, LA

JOB NUMBER: 5610



Peachtree
PROTECTIVE COVERS

1477 ROSEDALE DRIVE • HIRAM, GA 30141 • PHONE (770) 439-2120 • FAX (770) 439-2122

ERECTION DRAWING GENERAL NOTES:

FOOTING NOTE:
PPC DETAILS 1/5.00 & 1/5.01 NEEDS TO BE REVIEWED BY THE GC, ARCHITECT AND STRUCTURAL ENGINEER. THE ENGINEER OF RECORD (EOR) WILL NEED TO DESIGN/SIZE THE FOOTINGS TO RESIST THE LOADS SHOWN ON THE SHOP DRAWINGS. AS SHOWN IN THIS DETAIL, STYROFOAM BLOCKOUTS WILL BE PROVIDED BY PPC FOR INSTALLATION BY OTHERS. THE STYROFOAM BLOCKOUTS, WHEN INSTALLED, NEED TO BE FULLY EMBEDDED INTO THE CONCRETE FOOTINGS (TOP OF FOOTING = TOP OF BLOCKOUT). AS THE STRUCTURAL INTEGRITY OF THE CANOPY SYSTEM IS DEPENDENT ON THE SIZE, SHAPE AND PLACEMENT OF THE BLOCKOUTS, ANY VARIATION FROM DETAILS 1/5.00 & 1/5.01 NEEDS TO BE APPROVED BY PPC. UNLESS NOTIFIED OTHERWISE, PPC WILL ASSUME THAT THE FOOTINGS WILL BE PREPARED PER DETAILS 1/5.00 & 1/5.01 AND PER THE EOR'S SIZING INSTRUCTION. SHOULD THIS NOT BE THE CASE, PROJECT SCHEDULE DELAYS MAY BE ENCOUNTERED WHILE A REMEDY IS SOUGHT.

FABRICATION NOTE:
PPC WILL FIELD MEASURE THE SITE PRIOR TO FABRICATION OF THE CANOPY SYSTEM. FIELD MEASUREMENTS WILL BE TAKEN AFTER ALL FOOTINGS/BLOCKOUTS ARE SET AND ADJACENT/EXTERIOR BUILDING SKIN IS COMPLETE. AS PART OF THE FIELD MEASUREMENT PROCESS, WE WILL SHOOT THE ELEVATION AT EACH COLUMN LOCATION AND MEASURE THE LOCATION OF EACH BLOCKOUT RELATIVE TO ONE ANOTHER, RELATIVE TO FINISHED FLOOR, AND RELATIVE TO THE SKIN OF THE BUILDING TO WHICH OUR SYSTEM WILL BE CONNECTED. FIELD MEASUREMENTS ARE TYPICALLY A REQUIREMENT OF THE SPECIFICATION AND ARE REQUIRED IN ORDER TO INSURE THAT THE CANOPY SYSTEM IS CONSTRUCTED TO FIT ACTUAL JOB SITE CONDITIONS. DUE TO THE NATURE OF EXTRUDED ALUMINUM CANOPY DESIGN, THE SYSTEM CANNOT BE "FABRICATED TO APPROVED SHOP DRAWINGS".

FINISH NOTE:
WITHIN THE FINISH SCHEDULE ON SHEET #1, PPC HAS INDICATED THE FINISH AND COLOR THAT WE UNDERSTAND TO BE THE ARCHITECT'S INTENT. THIS FINISH SCHEDULE IS IN ACCORDANCE WITH OUR PROPOSAL. APPROVAL OF THE SHOP DRAWINGS WITHOUT COMMENT IN THIS AREA WILL BE INTERPRETED AS APPROVAL OF THE FINISH/COLOR INDICATED. WHERE APPLICABLE A COLOR CHART IS PROVIDED FOR USE IN SELECTING PAINT COLOR. THE STANDARD COLORS OFFERED BY PPC ARE MARKED ON THIS CHART. TO AVOID ADDITIONAL COSTS AND/OR SCHEDULE DELAYS, IT IS IMPORTANT TO SELECT FROM THESE STANDARD COLORS WHEN THE FINISH SCHEDULE INDICATES THAT A STANDARD COLOR IS WARRANTED. IN CASES WHERE A CUSTOM COLOR OR A MATCH OF A PARTICULAR COLOR IS REQUIRED, PPC WILL REQUIRE A SAMPLE OF THAT COLOR TO MATCH. IN THESE INSTANCES A "MATCH SAMPLE" WILL BE PROVIDED BY PPC FOR THE ARCHITECT TO ACCEPT OR REJECT. MATERIALS CANNOT BE ORDERED UNTIL THIS "MATCH SAMPLE" IS ACCEPTED.

ATTACHMENT NOTE:
IN ACCORDANCE WITH OUR UNDERSTANDING OF THE CONTRACT DOCUMENTS, PPC HAS DETAILED THE CONNECTIONS TO ADJACENT STRUCTURE TO THE BEST OF OUR ABILITY. ALL CONNECTION DETAILS NEED TO BE REVIEWED BY THE GC, ARCHITECT AND STRUCTURAL ENGINEER. PLEASE PROVIDED ANY/ALL REQUESTED INFORMATION SO AS TO ASSURE OUR CANOPY (OR SUNSCREEN) CAN BE SUPPORTED PROPERLY. IF ANY QUESTIONS, PLEASE CONTACT PPC PROJECT MANAGEMENT.

CANOPY SYSTEM DESIGNED TO SUPPORT THE FOLLOWING PIPE LOADS:
(1) 4"Ø = 10.79 lb/ft
(1) 4"Ø = 16.30 lb/ft
(2) 6"Ø = 62.94 lb/ft
(2) 8"Ø = 100.40 lb/ft
(2) 12"Ø = 197.02 lb/ft
TOTAL 387.45 lb/ft

DRAWING INDEX

G1	COVER SHEET
1.00	KEY-PLAN
1.01-1.12	COLUMN SETTING PLAN
1.51-1.63	DECK PLAN
1.71-1.73	HANGER CANOPY
2.00-2.05	ELEVATIONS
3.00-3.04	SECTIONS
4.00-4.24	ENLARGED DETAILS
5.00-5.02	FOOTINGS & BASE PLATE DETAILS
6.00	FASTENER SCHEDULE

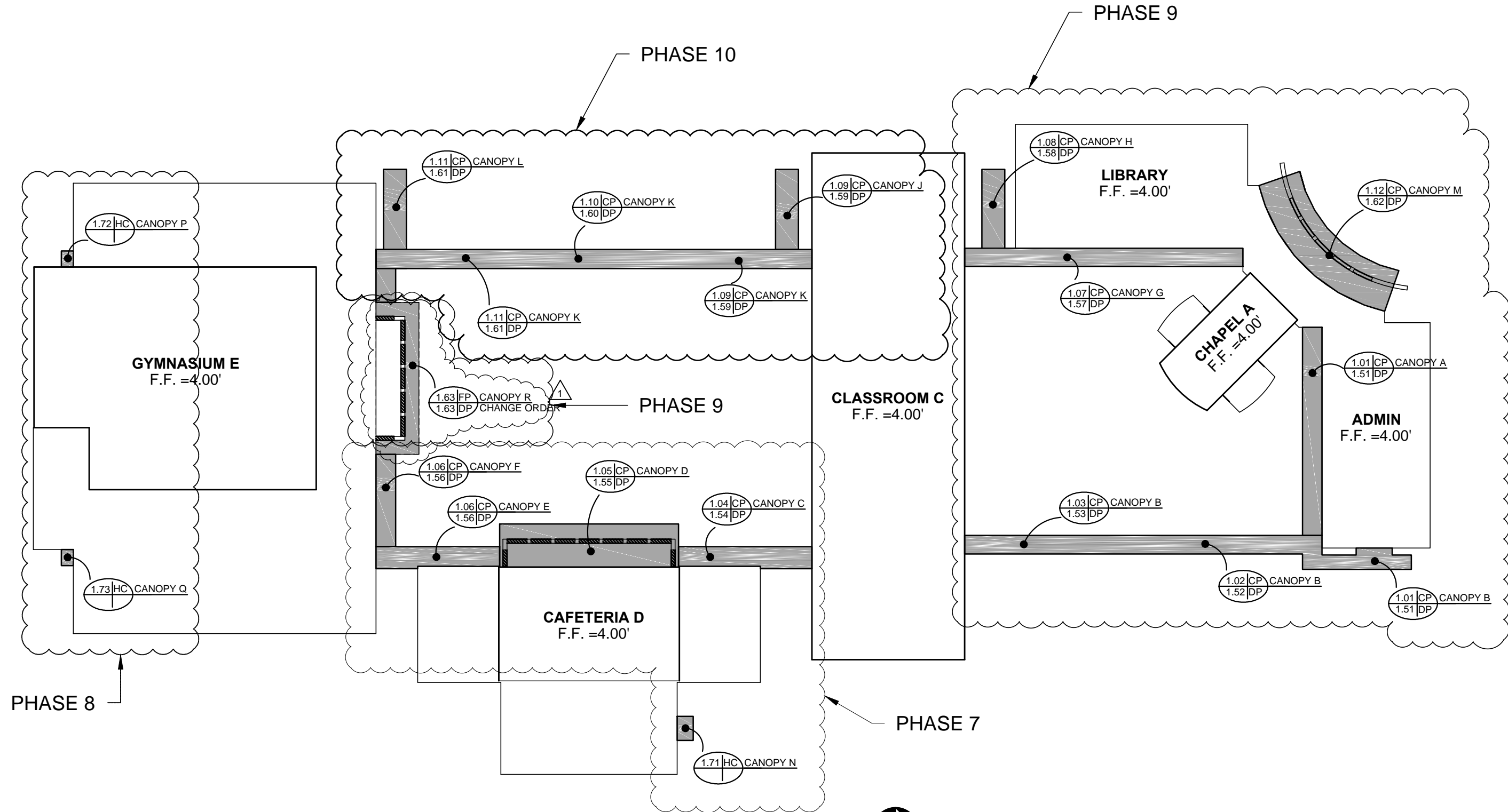
REVISION HISTORY

REV.	DATE	DESCRIPTION	DWN
A	7/26/13	1ST SUBMITTAL	RH
1	4/17/14	2ND SUBMITTAL	RH
2	7/2/14	INITIAL F & F	RH
3	7/15/14	F & F CANOPIES C, D E & F	RV
4	10/8/14	AS BUILT CANOPIES: A, B, G, H, M & R	RB

MATERIAL SPECIFICATION

LOCATION	DESCRIPTION	FINISH	COLOR
CANOPIES A, B, C, E, F, G, H, J, K & L	3" DECK	ANODIZED	CLEAR A-31
	6" x 6" BEAM	ANODIZED	CLEAR A-31
	6" x 6" COLUMN	ANODIZED	CLEAR A-31
	6" x 6" TUBE	ANODIZED	CLEAR A-31
	6" x 2" TUBE	ANODIZED	CLEAR A-31
	4" x 4" TUBE	ANODIZED	CLEAR A-31
	1/8" x 6" BAR	ANODIZED	CLEAR A-31
	4" Z-BLADE	ANODIZED	CLEAR A-31
	1 1/2" x 1 1/2" BRACING TUBE	ANODIZED	CLEAR A-31
	6" FASCIA	ANODIZED	CLEAR A-31
	1/4" x 3" x 3" ANGLE	ANODIZED	CLEAR A-31
CANOPY D	3" DECK	ANODIZED	CLEAR A-31
	10"x6" BEAM	ANODIZED	CLEAR A-31
	6" x 6" COLUMN	ANODIZED	CLEAR A-31
CANOPY M	8" FASCIA	ANODIZED	CLEAR A-31
	4 1/2" DECK	ANODIZED	CLEAR A-31
	10"x6" BEAM	ANODIZED	CLEAR A-31
	6" x 6" COLUMN	ANODIZED	CLEAR A-31
CANOPIES N, P & Q	8" FASCIA	ANODIZED	CLEAR A-31
	2 1/2" x 6" F. S. DECK	ANODIZED	CLEAR A-31
	8" x 4" GUTTER FASCIA	ANODIZED	CLEAR A-31
	1 1/2"x1 1/2" HANGER TUBE	ANODIZED	CLEAR A-31

DATE:	7/26/13
DWN. BY:	RH
CHKD. BY:	RW
DRAWING NO.	G.1
PPC JOB NO.	5610



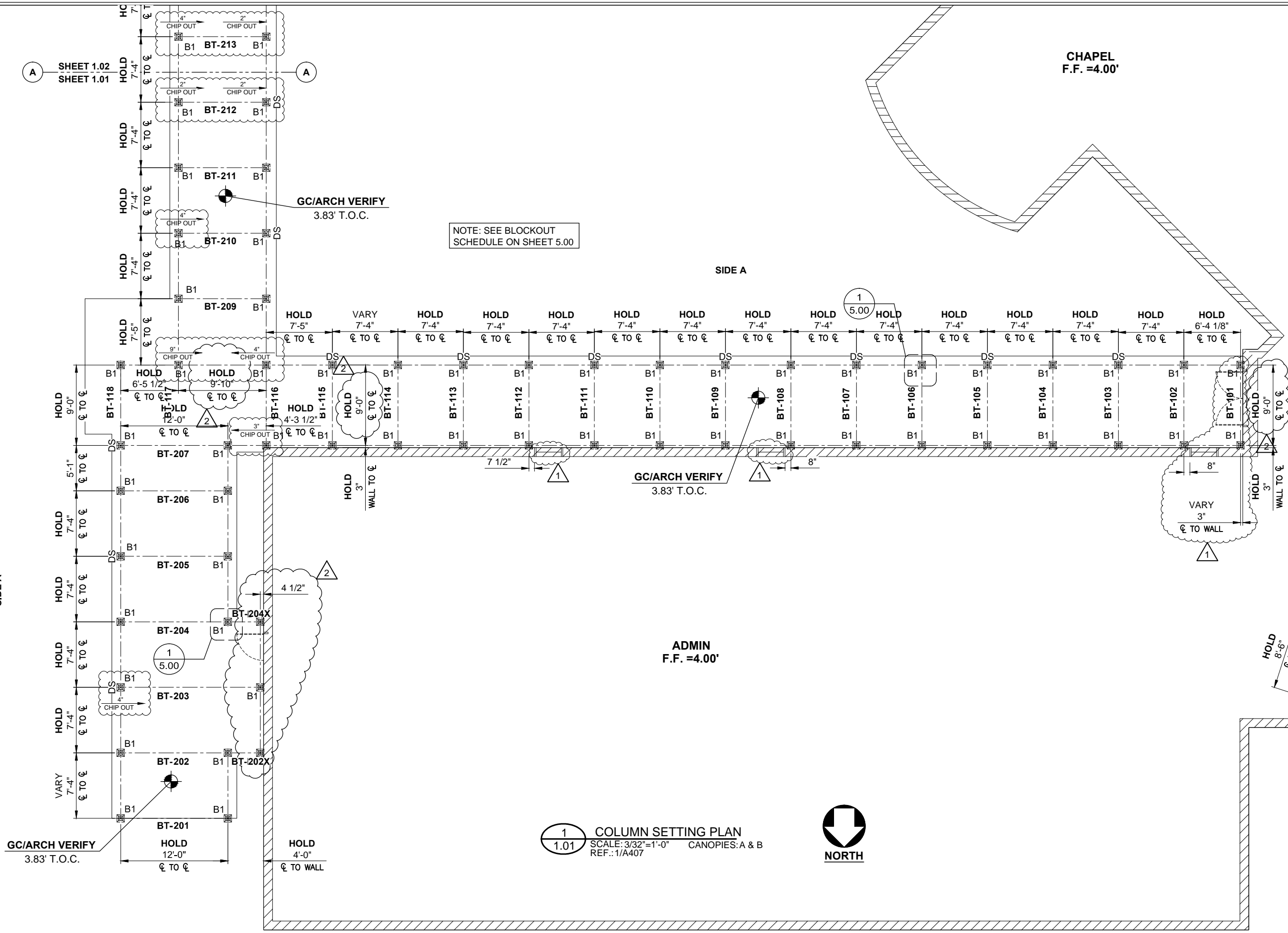
1 KEY PLAN
1.00 SCALE: NOT TO SCALE
REF.:



DWG. BY:	RH
SUBJECT:	2ND SUBMITTAL
DATE:	4/17/14
REV.:	1

PROJECT: ACADEMY OF OUR LADY NEW HIGH SCHOOL
 CUSTOMER: CITADEL BUILDERS, LLC
 ARCHITECT: BURGDAHL & GRAVES, AIA
 LOCATION: MARRERO, LA

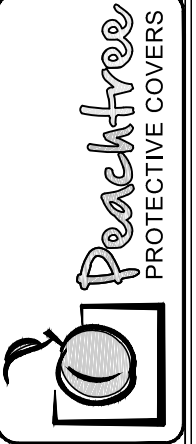
DATE:	7/26/13
DWN. BY:	RH
CHKD. BY:	RW
DRAWING NO.:	1.00
PPC JOB NO.:	5610



1
1.01 COLUMN SETTING PLAN
SCALE: 3/32"=1'-0" CANOPIES: A & B
REF.: 1/A407

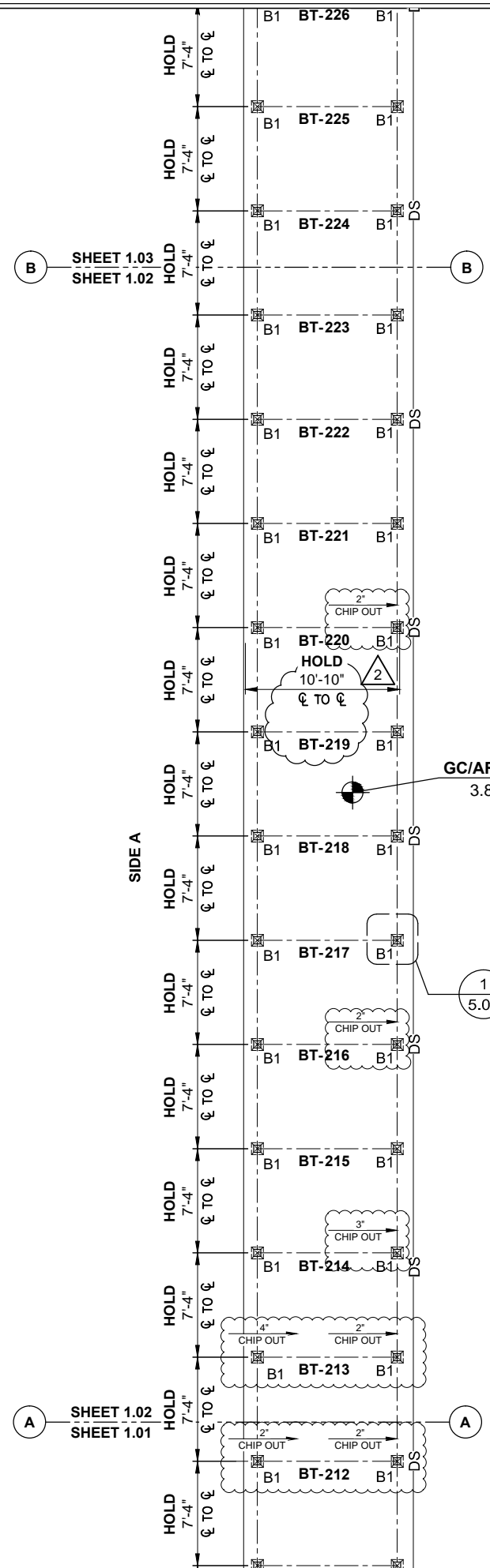
DWG. BY:	RH	DATE:	4/17/14	SUBJECT:	2 ND SUBMITTAL
CHKD. BY:	RW	REV.:	2	DATE:	7/2/14
DRAWING NO.:	1.01	REVISION:		DATE:	
PPC JOB NO.:	5610	REVISION:		DATE:	
PROJECT: ACADEMY OF OUR LADY NEW HIGH SCHOOL					
CUSTOMER: CITADEL BUILDERS, LLC					
ARCHITECT: BURGDahl & GRAVES, AIA					
LOCATION: MARRERO, LA					

SCALE: 1/32"=1'-0"



DWG. BY	RH
REV.	2
DATE	7/2/14
SUBJECT	INITIAL F & F

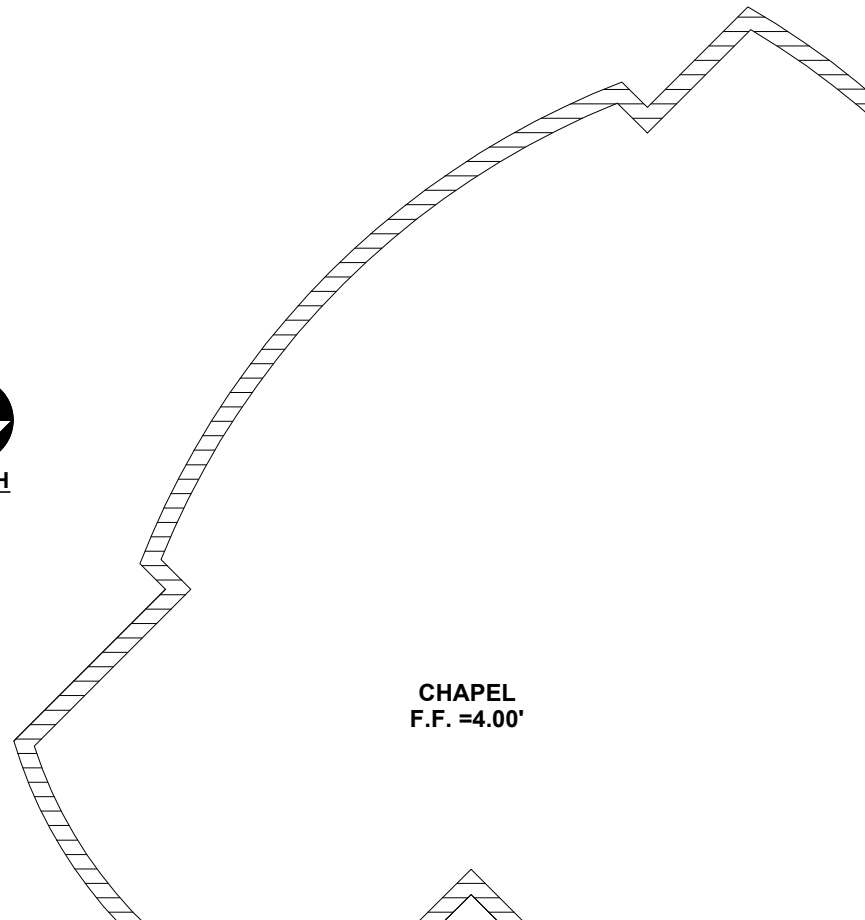
PROJECT:	ACADEMY OF OUR LADY NEW HIGH SCHOOL
CUSTOMER:	CITADEL BUILDERS, LLC
ARCHITECT:	BURGDahl & GRAVES, AIA
LOCATION:	MARRERO, LA
DATE:	7/26/13
DWN. BY:	RH
CHKD. BY:	RW
DRAWING NO.:	1.02
PPC JOB NO.:	5610

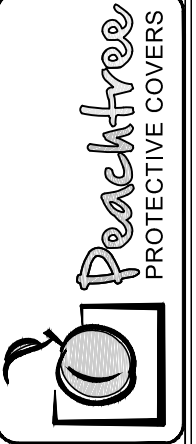


NOTE: SEE BLOCKOUT SCHEDULE ON SHEET 5.00

GC/ARCH VERIFY
3.83' T.O.C.

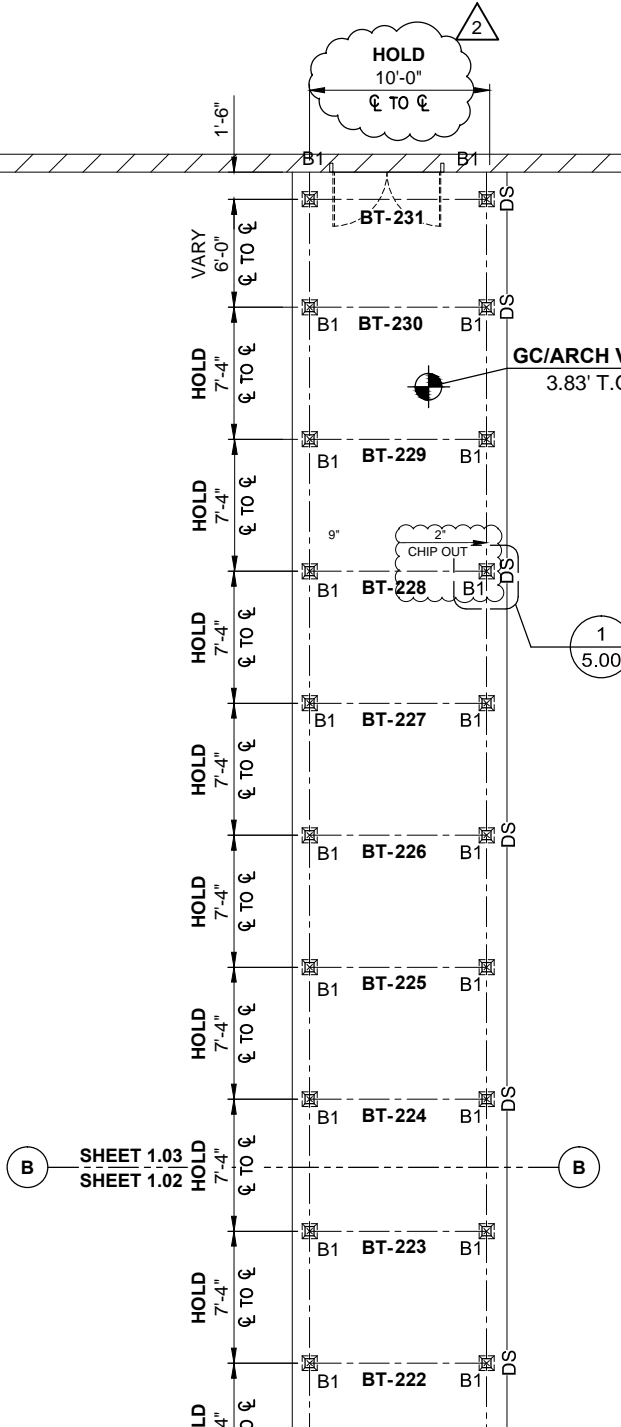
1
1.02 COLUMN SETTING PLAN
SCALE: 3/32"=1'-0" CANOPY:B
REF.: 1/A407





NOTE: SEE BLOCKOUT SCHEDULE ON SHEET 5.00

CLASSROOM C
F.F. = 4.00'

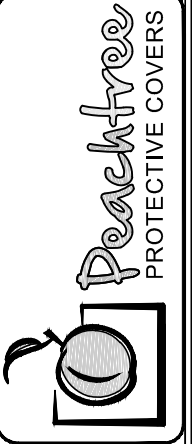


1
1.03 COLUMN SETTING PLAN
SCALE: 3/32"=1'-0" CANOPY: B
REF.: 1/A409



B SHEET 1.03
SHEET 1.02

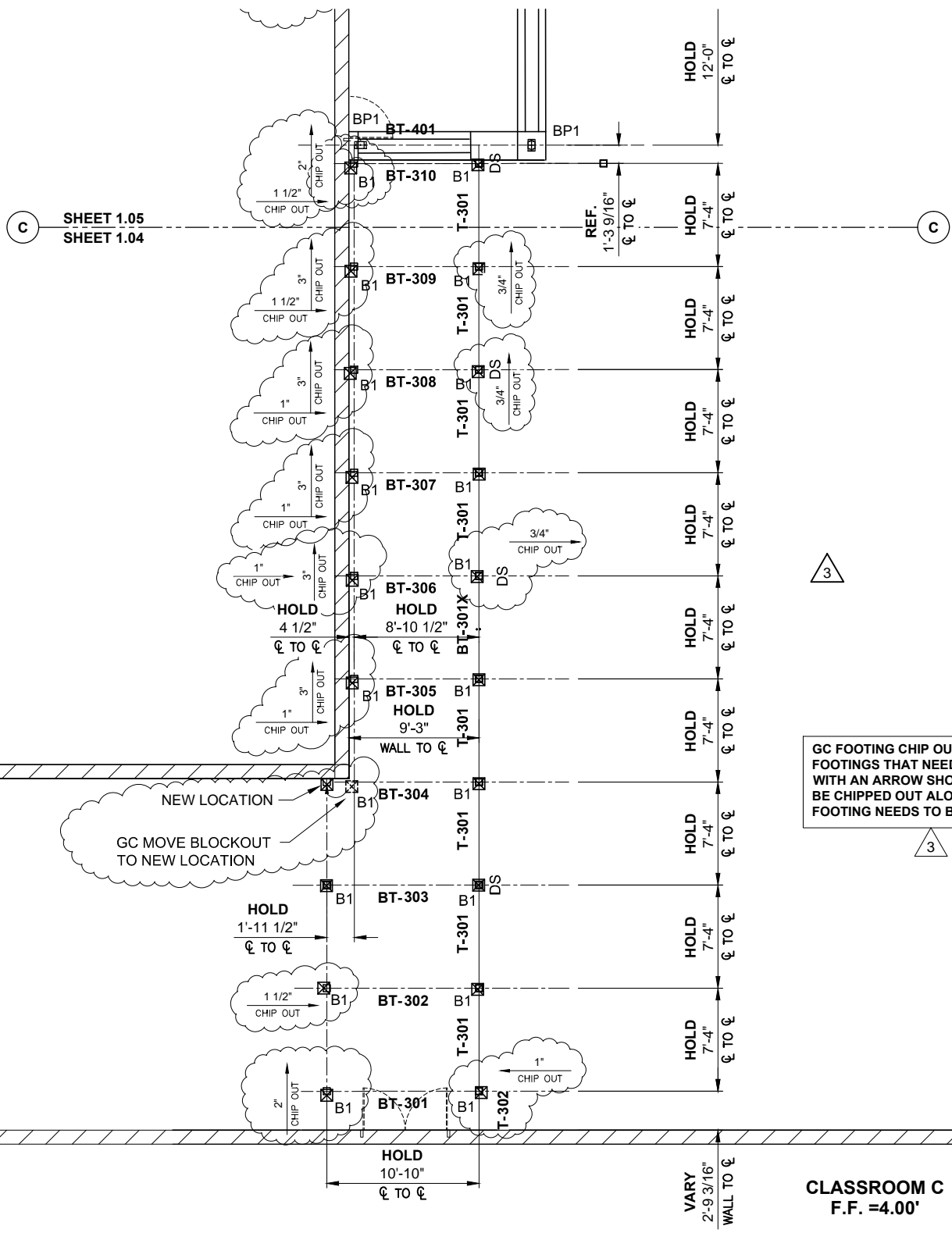
DWG. BY:	RH
DATE:	7/2/14
REV.:	2
SUBJECT:	INITIAL F & F
PROJECT:	ACADEMY OF OUR LADY NEW HIGH SCHOOL
CUSTOMER:	CITADEL BUILDERS, LLC
ARCHITECT:	BURGDahl & GRAVES, AIA
LOCATION:	MARRERO, LA
DATE:	7/26/13
DWN. BY:	RH
CHKD. BY:	RW
DRAWING NO.:	1.03
PPC JOB NO.:	5610



DWG. BY	RH
REV.	1
DATE	4/17/14
SUBJECT	2ND SUBMITTAL
REV.	2
DATE	7/2/14
SUBJECT	INITIAL F & F
REV.	3
DATE	7/15/14
SUBJECT	F & F CANOPIES C, D & E

PROJECT: ACADEMY OF OUR LADY NEW HIGH SCHOOL
 CUSTOMER: CITADEL BUILDERS, LLC
 ARCHITECT: BURGDahl & GRAVES, AIA
 LOCATION: MARRERO, LA

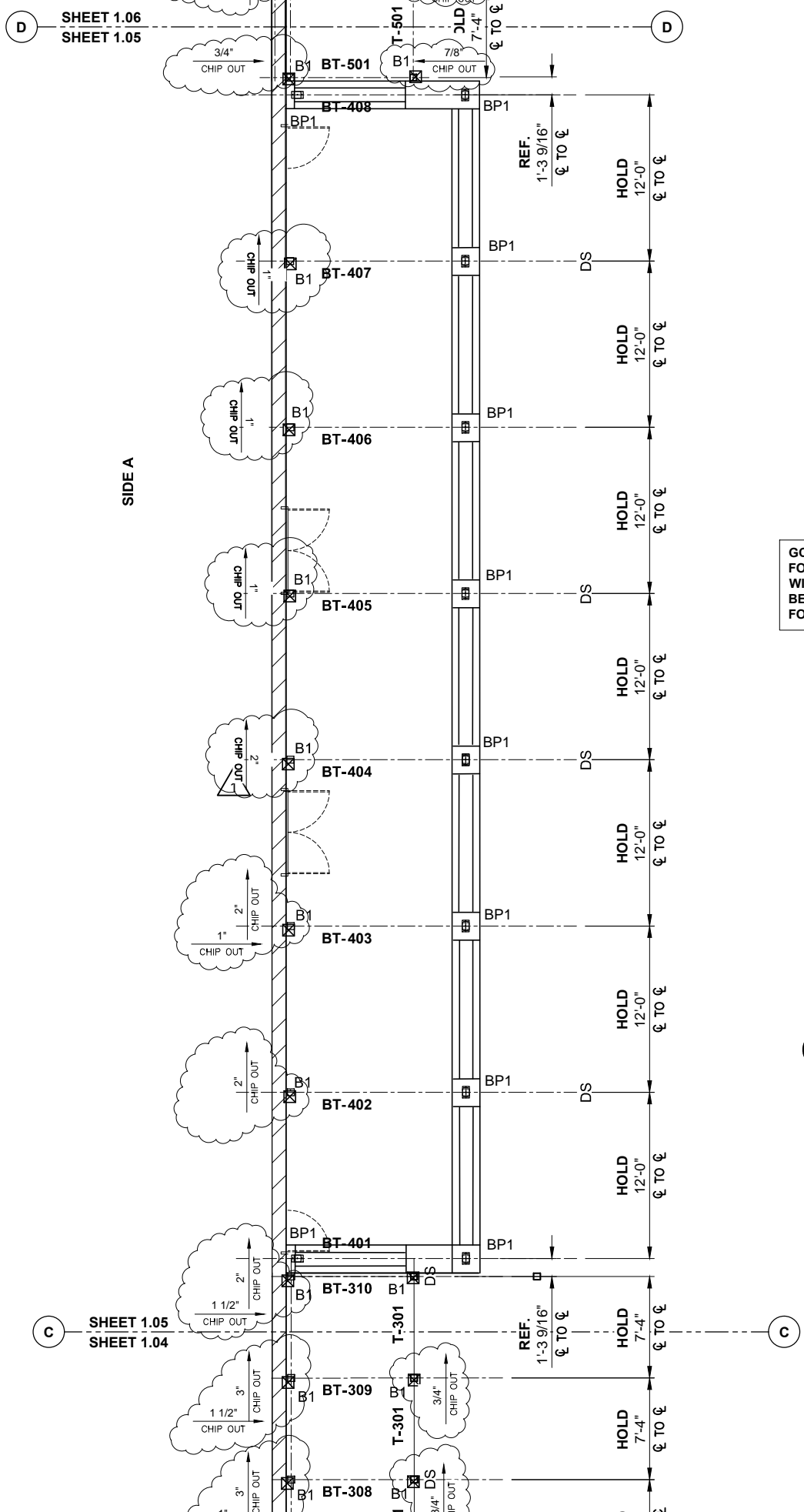
DATE:	7/26/13
DWN. BY:	RH
CHKD. BY:	RW
DRAWING NO.:	1.04
PPC JOB NO.:	5610



GC FOOTING CHIP OUT NOTE:
 FOOTINGS THAT NEED TO BE CHIPPED OUT ARE CLOUDED WITH AN ARROW SHOWING DIRECTION FOOTING NEEDS TO BE CHIPPED OUT ALONG WITH A DIMENSION SHOWING HOW MUCH FOOTING NEEDS TO BE CHIPPED OUT FOR CANOPY SYSTEM TO WORK.

1 COLUMN SETTING PLAN
 1.04 SCALE: 3/32"=1'-0" CANOPY: C
 REF.: 2/A410

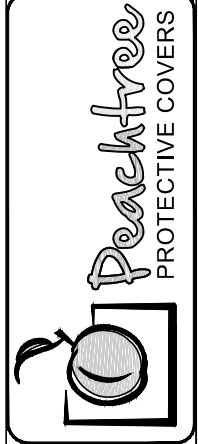




GC FOOTING CHIP OUT NOTE:
 FOOTINGS THAT NEED TO BE CHIPPED OUT ARE CLOUDED
 WITH AN ARROW SHOWING DIRECTION FOOTING NEEDS TO
 BE CHIPPED OUT ALONG WITH A DIMENSION SHOWING HOW MUCH
 FOOTING NEEDS TO BE CHIPPED OUT FOR CANOPY SYSTEM TO WORK.

3

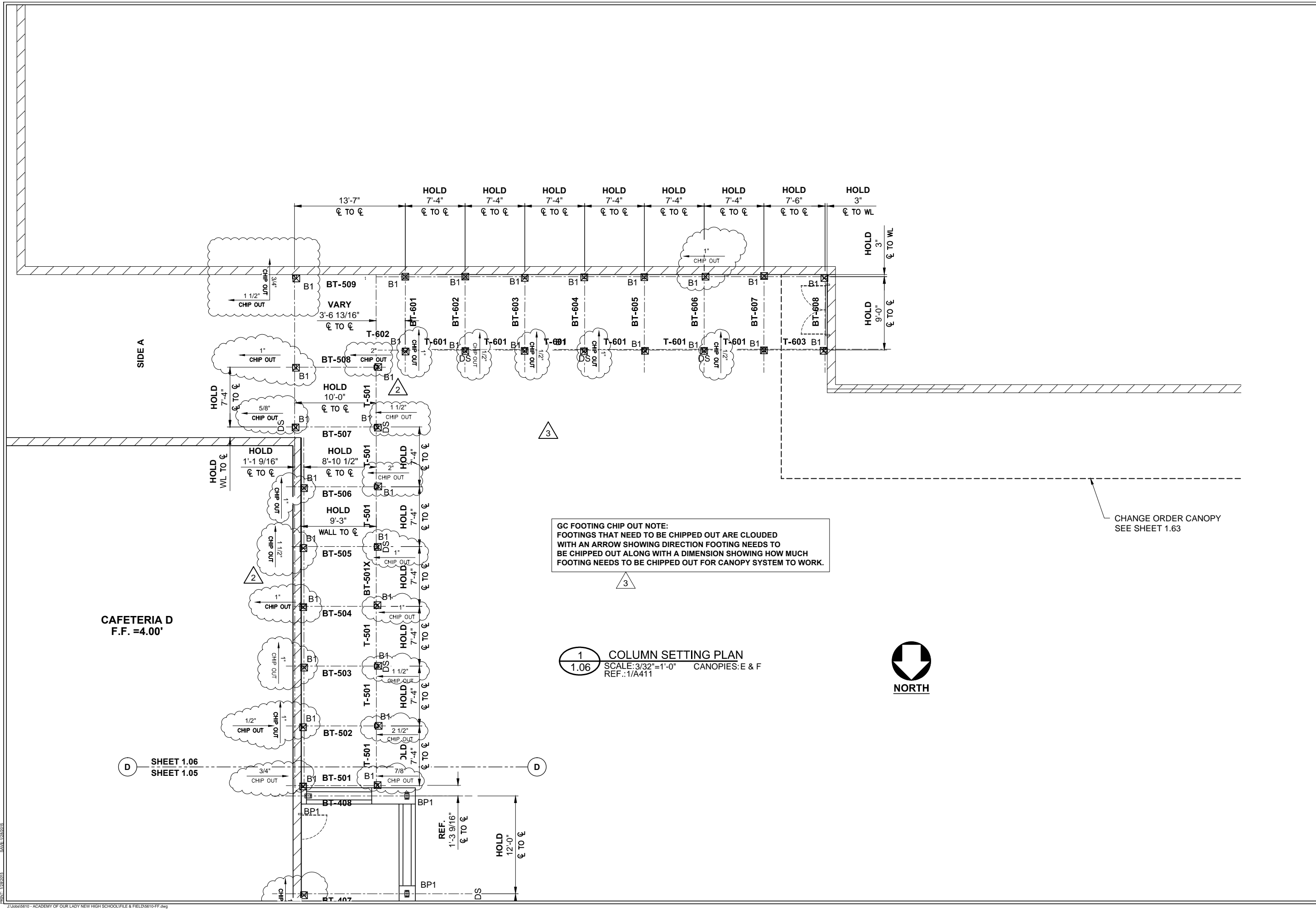
1
 1.05 COLUMN SETTING PLAN
 SCALE: 3/32"=1'-0" CANOPIES: C, D & E
 REF.: A105 & 2/A410



REV.	DATE	SUBJECT	DWG. BY
1	4/17/14	2ND SUBMITTAL	RH
2	7/2/14	INITIAL F & F	RH
3	7/15/14	F & F CANOPIES C, D & E	RV

PROJECT: ACADEMY OF OUR LADY NEW HIGH SCHOOL
 CUSTOMER: CITADEL BUILDERS, LLC
 ARCHITECT: BURGDAHL & GRAVES, AIA
 LOCATION: MARRERO, LA

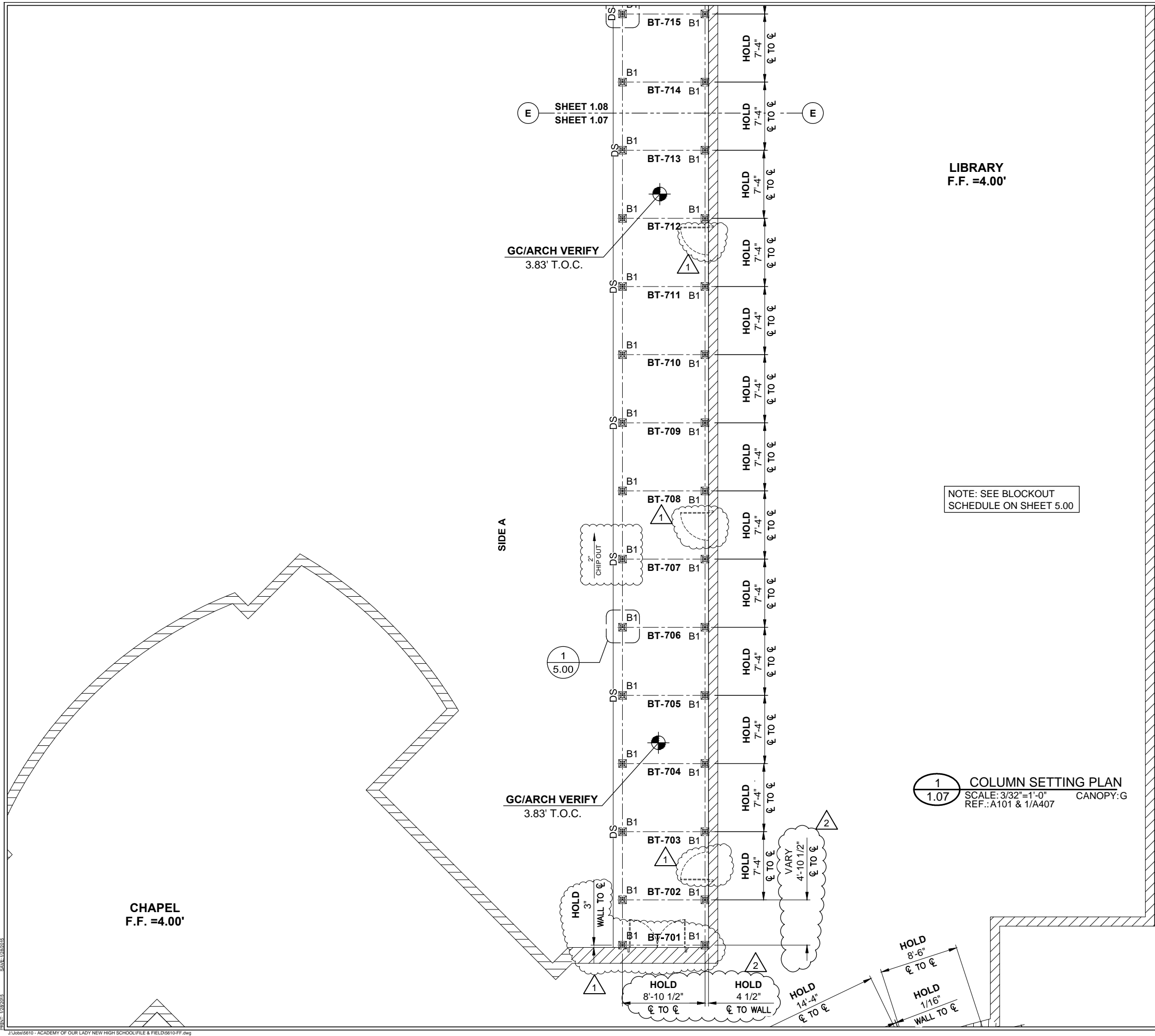
DATE:	7/26/13
DWN. BY:	RH
CHKD. BY:	RW
DRAWING NO.:	1.05
PPC JOB NO.:	5610



DWG. BY: RH
 DATE: 4/17/14
 SUBJECT: 2ND SUBMITTAL
 REV. 1: 4/17/14
 REV. 2: 7/2/14
 REV. 3: 7/15/14

PROJECT: ACADEMY OF OUR LADY NEW HIGH SCHOOL
 CUSTOMER: CITADEL BUILDERS, LLC
 ARCHITECT: BURGDahl & GRAVES, AIA
 LOCATION: MARRERO, LA

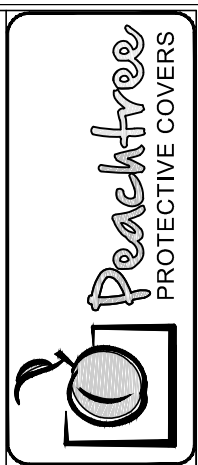
DATE: 7/26/13
 DWN. BY: RH
 CHKD. BY: RW
 DRAWING NO.: 1.06
 PPC JOB NO.: 5610



LIBRARY
F.F. =4.00'

NOTE: SEE BLOCKOUT
SCHEDULE ON SHEET 5.00

1 COLUMN SETTING PLAN
1.07 SCALE: 3/32"=1'-0" CANOPY: G
REF.: A101 & 1/A407



DWG. BY	RH
REV.	1
DATE	4/17/14
SUBJECT	2ND SUBMITTAL
REV.	2
DATE	7/2/14
SUBJECT	INITIAL F & F

PROJECT:	ACADEMY OF OUR LADY NEW HIGH SCHOOL
CUSTOMER:	CITADEL BUILDERS, LLC
ARCHITECT:	BURGDahl & GRAVES, AIA
LOCATION:	MARRERO, LA
DATE:	7/26/13
DWN. BY:	RH
CHKD. BY:	RW
DRAWING NO.:	1.07
PPC JOB NO.:	5610

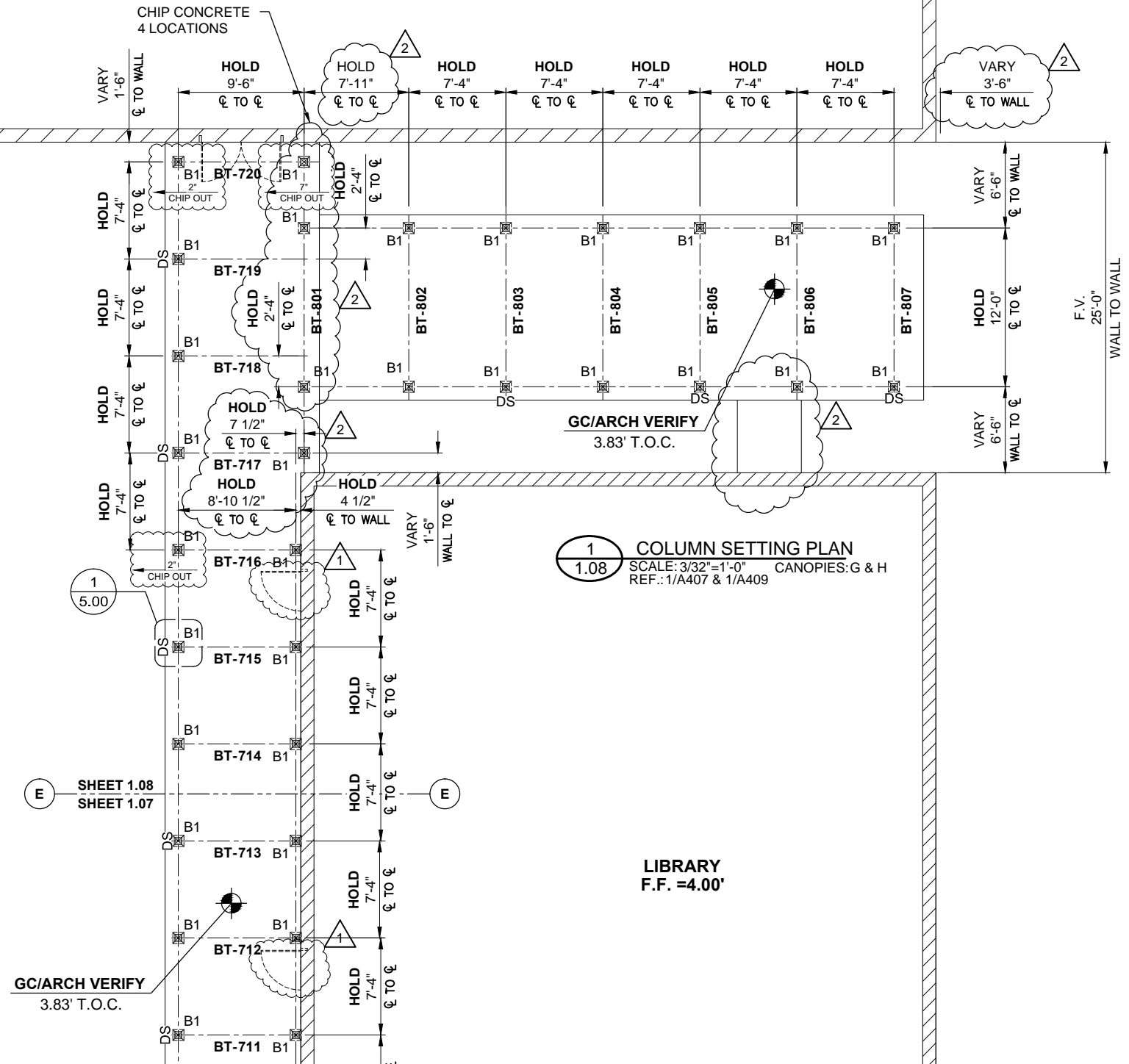
SCALE: 1/8"=1'-0"

CLASSROOM C
F.F. = 4.00'

NOTE: SEE BLOCKOUT
SCHEDULE ON SHEET 5.00

SIDE A

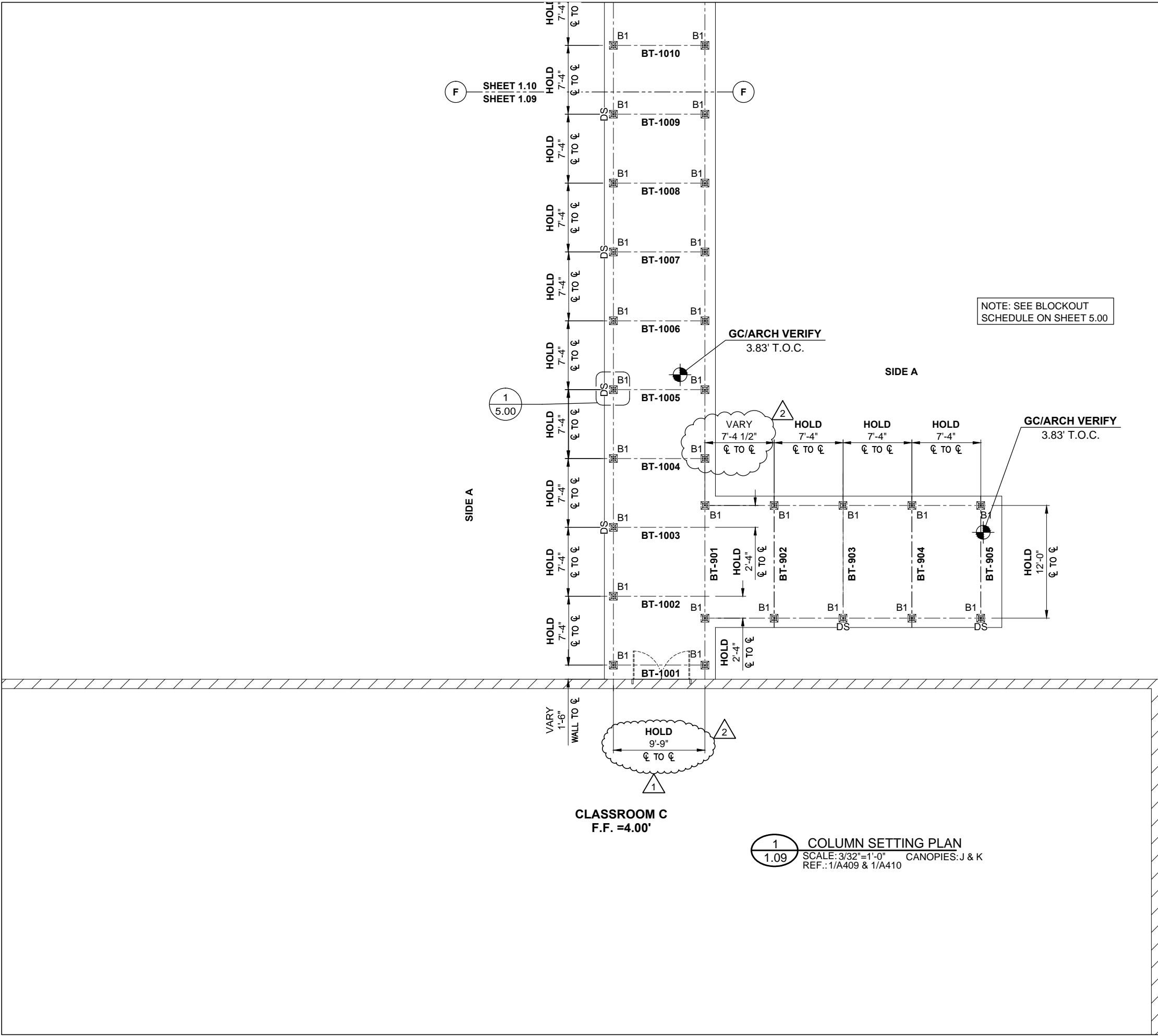
SIDE A



1 COLUMN SETTING PLAN
1.08 SCALE: 3/32"=1'-0" CANOPIES: G & H
REF.: 1/A407 & 1/A409



DWG. BY	RH
REV.	1
DATE	4/17/14
SUBJECT	2ND SUBMITTAL
REV.	2
DATE	7/2/14
SUBJECT	INITIAL F & F
PROJECT	ACADEMY OF OUR LADY NEW HIGH SCHOOL
CUSTOMER	CITADEL BUILDERS, LLC
ARCHITECT	BURGDahl & GRAVES, AIA
LOCATION	MARRERO, LA
DATE	7/26/13
DWN. BY	RH
CHKD. BY	RW
DRAWING NO.	1.08
PPC JOB NO.	5610



NOTE: SEE BLOCKOUT SCHEDULE ON SHEET 5.00

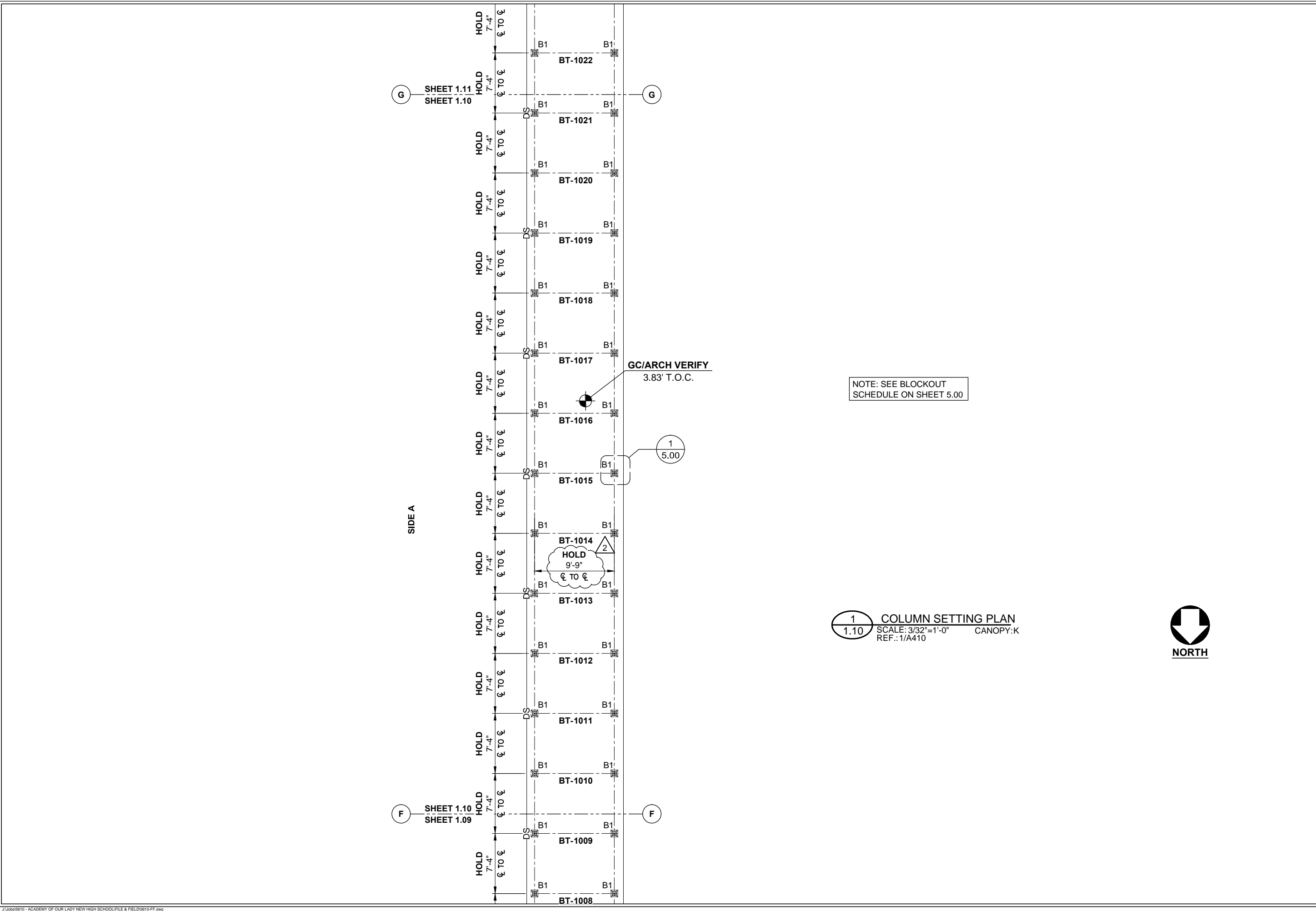
1.09 COLUMN SETTING PLAN
 SCALE: 3/32"=1'-0" CANOPIES: J & K
 REF.: 1/A409 & 1/A410



REV.	DATE	SUBJECT	DWG. BY
1	4/17/14	2ND SUBMITTAL	RH
2	7/2/14	INITIAL F & F	RH

PROJECT:	ACADEMY OF OUR LADY NEW HIGH SCHOOL
CUSTOMER:	CITADEL BUILDERS, LLC
ARCHITECT:	BURGDahl & GRAVES, AIA
LOCATION:	MARRERO, LA

DATE:	7/26/13
DWN. BY:	RH
CHKD. BY:	RW
DRAWING NO.:	1.09
PPC JOB NO.:	5610

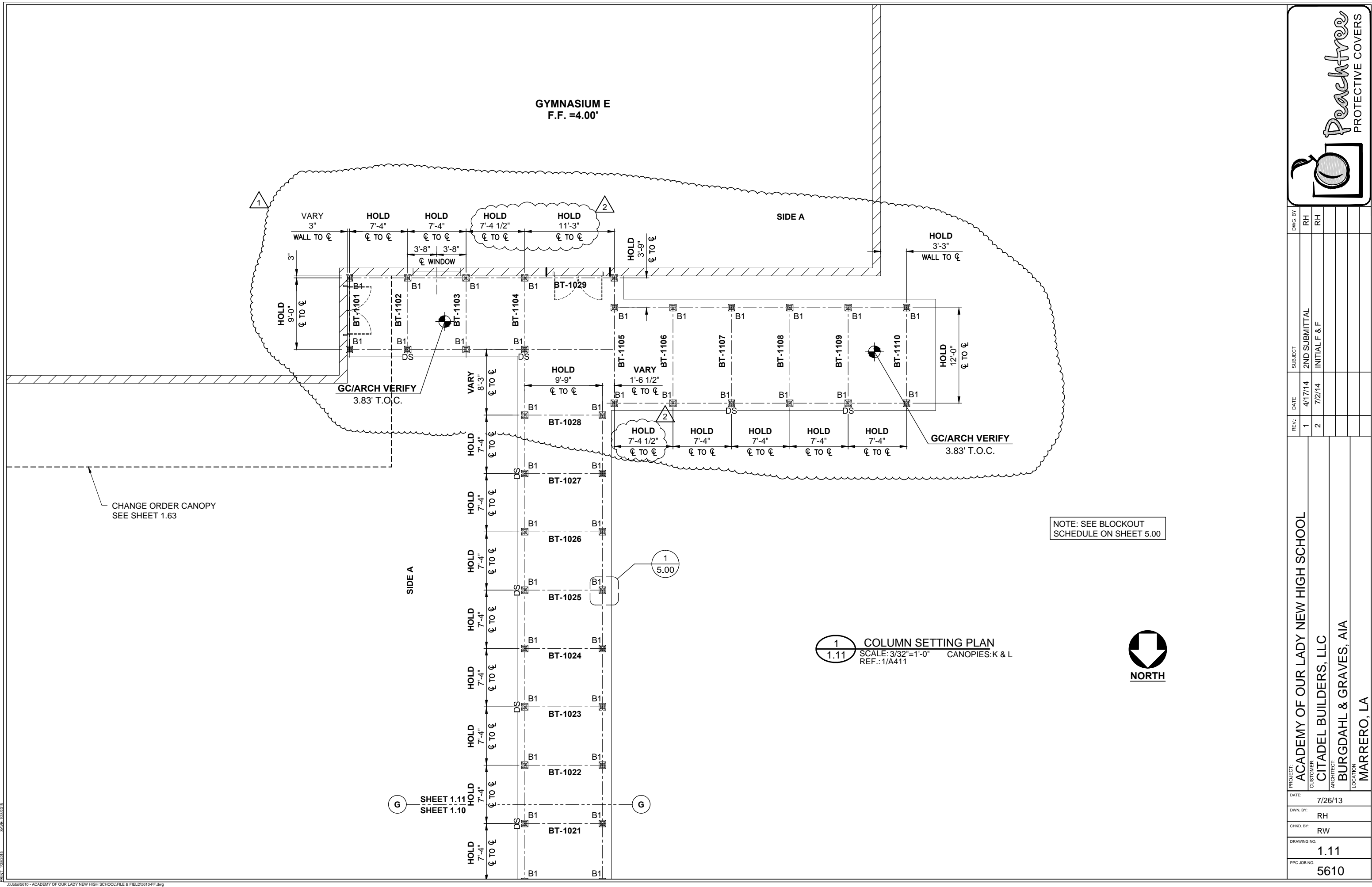


1
1.10 COLUMN SETTING PLAN
SCALE: 3/32"=1'-0" CANOPY:K
REF.: 1/A410



PROJECT:	ACADEMY OF OUR LADY NEW HIGH SCHOOL
CUSTOMER:	CITADEL BUILDERS, LLC
ARCHITECT:	BURGDahl & GRAVES, AIA
LOCATION:	MARRERO, LA
DATE:	7/26/13
DWN. BY:	RH
CHKD. BY:	RW
DRAWING NO.:	1.10
PPC JOB NO.:	5610
DWG. BY:	RH
REV.:	2
DATE:	7/2/14
SUBJECT:	INITIAL F & F

GYMNASIUM E
F.F. = 4.00'



NOTE: SEE BLOCKOUT SCHEDULE ON SHEET 5.00

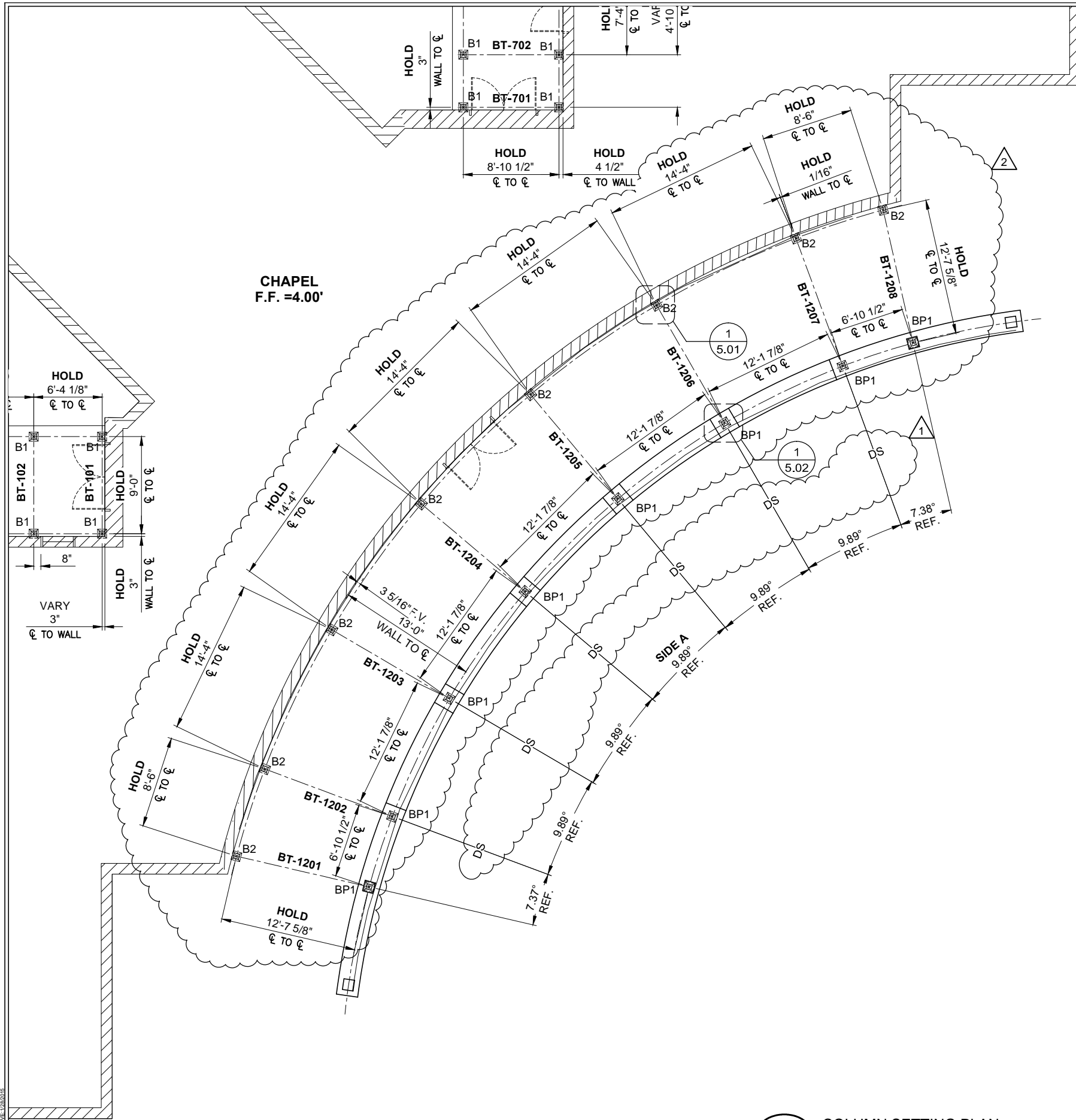
1 COLUMN SETTING PLAN
SCALE: 3/32"=1'-0" CANOPIES: K & L
REF.: 1/A411



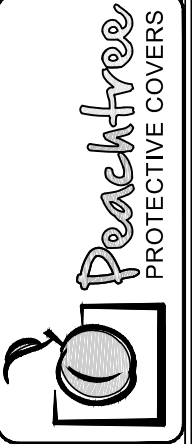
DWG. BY	RH
DATE	4/17/14
REV.	1
DATE	7/2/14
REV.	2
SUBJECT	2ND SUBMITTAL INITIAL F & F

PROJECT: ACADEMY OF OUR LADY NEW HIGH SCHOOL
 CUSTOMER: CITADEL BUILDERS, LLC
 ARCHITECT: BURGDAHL & GRAVES, AIA
 LOCATION: MARRERO, LA

DATE:	7/26/13
DWN. BY:	RH
CHKD. BY:	RW
DRAWING NO.:	1.11
PPC JOB NO.:	5610



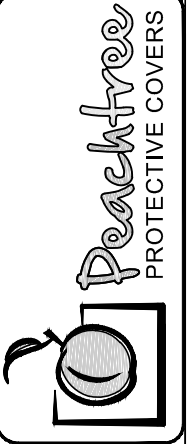
1
1.12 COLUMN SETTING PLAN
SCALE: 3/32"=1'-0" CANOPY:M
REF.: A101 & 2/A407



DWG. BY	RH
REV.	1
DATE	4/17/14
SUBJECT	2ND SUBMITTAL
REV.	2
DATE	7/2/14
SUBJECT	INITIAL F & F

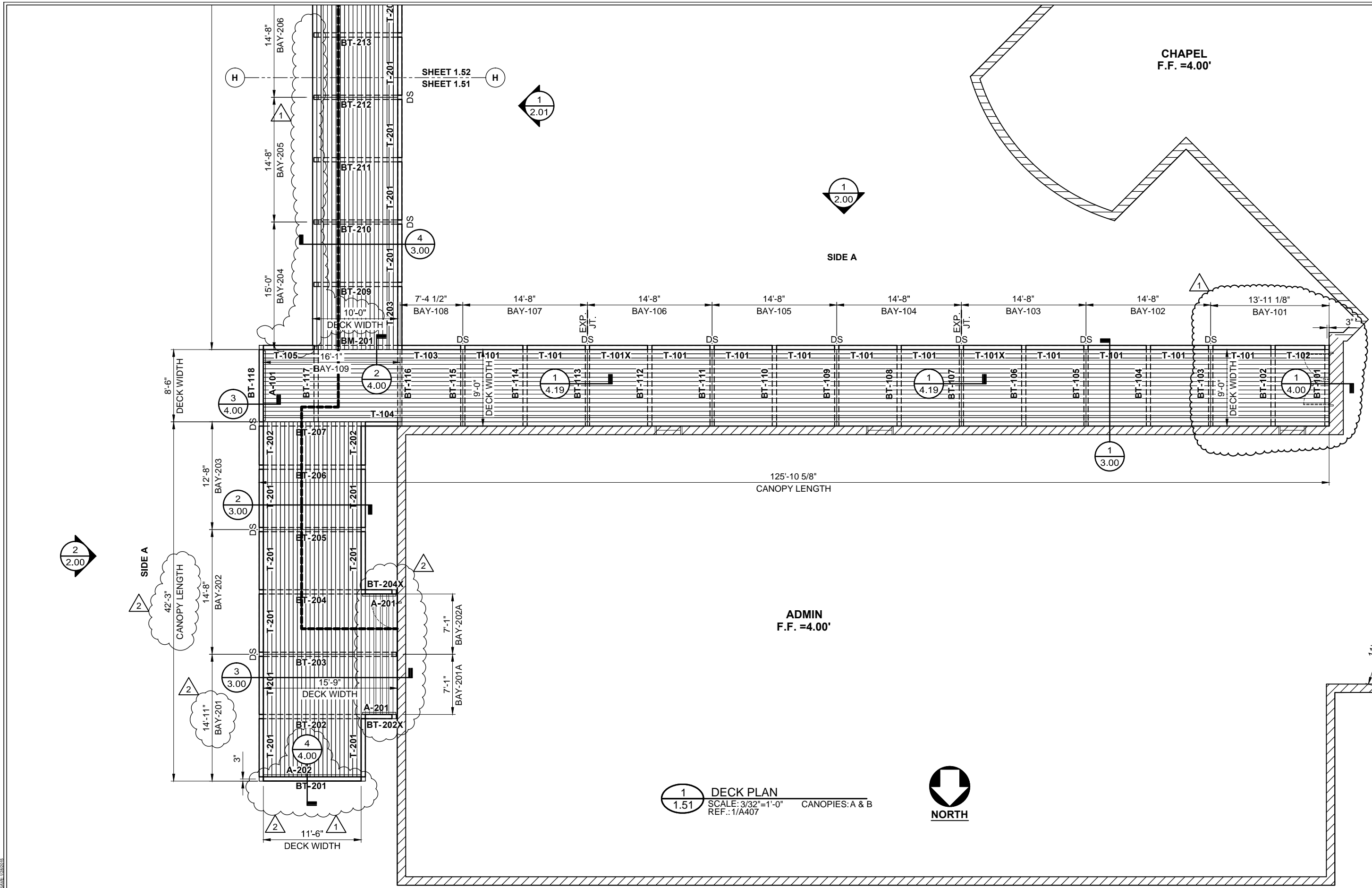
PROJECT:	ACADEMY OF OUR LADY NEW HIGH SCHOOL
CUSTOMER:	CITADEL BUILDERS, LLC
ARCHITECT:	BURGDahl & GRAVES, AIA
LOCATION:	MARRERO, LA
DATE:	7/26/13
DWN. BY:	RH
CHKD. BY:	RW
DRAWING NO.:	1.12
PPC JOB NO.:	5610

SCALE: 1/32"=1'-0"



DWG. BY	RH
DATE	4/17/14
REV.	1
DATE	7/2/14
REV.	2
SUBJECT	2ND SUBMITTAL
INITIAL F & F	

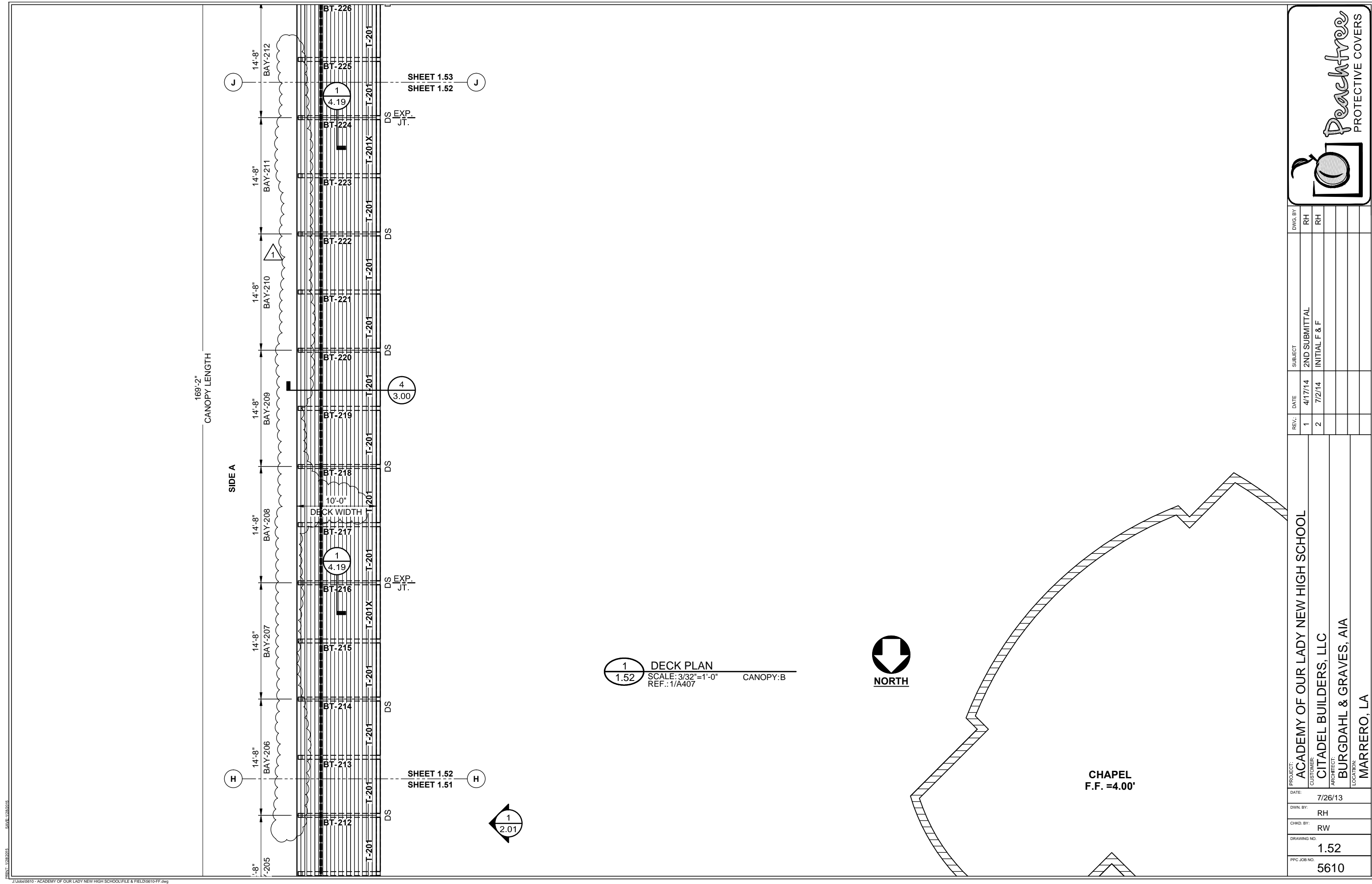
PROJECT:	ACADEMY OF OUR LADY NEW HIGH SCHOOL
CUSTOMER:	CITADEL BUILDERS, LLC
ARCHITECT:	BURGDahl & GRAVES, AIA
LOCATION:	MARRERO, LA
DATE:	7/26/13
DWN. BY:	RH
CHKD. BY:	RW
DRAWING NO.:	1.51
PPC JOB NO.:	5610



1
1.51 DECK PLAN
SCALE: 3/32"=1'-0" CANOPIES: A & B
REF.: 1/A407



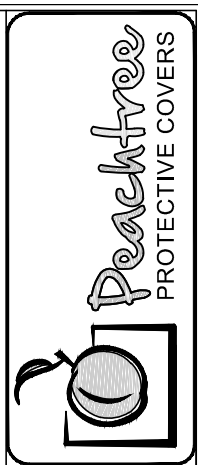
P:\Job\15610 - ACADEMY OF OUR LADY NEW HIGH SCHOOL\FILE & FIELDS\15610-FF.dwg
 DATE: 7/26/13



1 DECK PLAN
 1.52 SCALE: 3/32"=1'-0"
 REF.: 1/A407 CANOPY: B

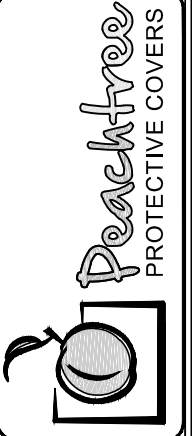


CHAPEL
 F.F. = 4.00'



REV.	DATE	SUBJECT	DWG. BY
1	4/17/14	2ND SUBMITTAL	RH
2	7/2/14	INITIAL F & F	RH

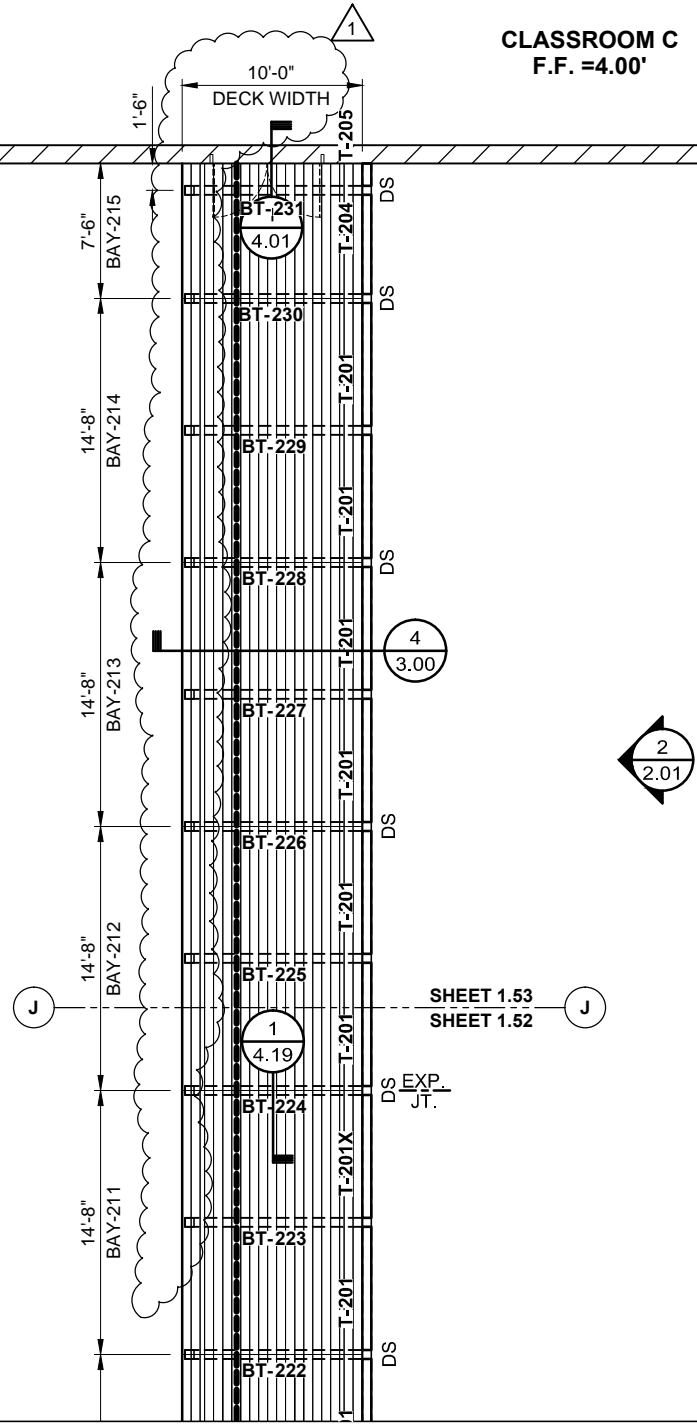
PROJECT:	ACADEMY OF OUR LADY NEW HIGH SCHOOL
CUSTOMER:	CITADEL BUILDERS, LLC
ARCHITECT:	BURGDahl & GRAVES, AIA
LOCATION:	MARRERO, LA
DATE:	7/26/13
DWN. BY:	RH
CHKD. BY:	RW
DRAWING NO.:	1.52
PPC JOB NO.:	5610



DWG. BY	RH
REV.	1
DATE	4/17/14
SUBJECT	2ND SUBMITTAL
REV.	2
DATE	7/2/14
SUBJECT	INITIAL F&F

PROJECT:	ACADEMY OF OUR LADY NEW HIGH SCHOOL
CUSTOMER:	CITADEL BUILDERS, LLC
ARCHITECT:	BURGDahl & GRAVES, AIA
LOCATION:	MARRERO, LA
DATE:	7/26/13
DWN. BY:	RH
CHKD. BY:	RW
DRAWING NO.:	1.53
PPC JOB NO.:	5610

CLASSROOM C
F.F. =4.00'



1 DECK PLAN
SCALE: 3/32"=1'-0"
REF.: 1/A409 CANOPY: B



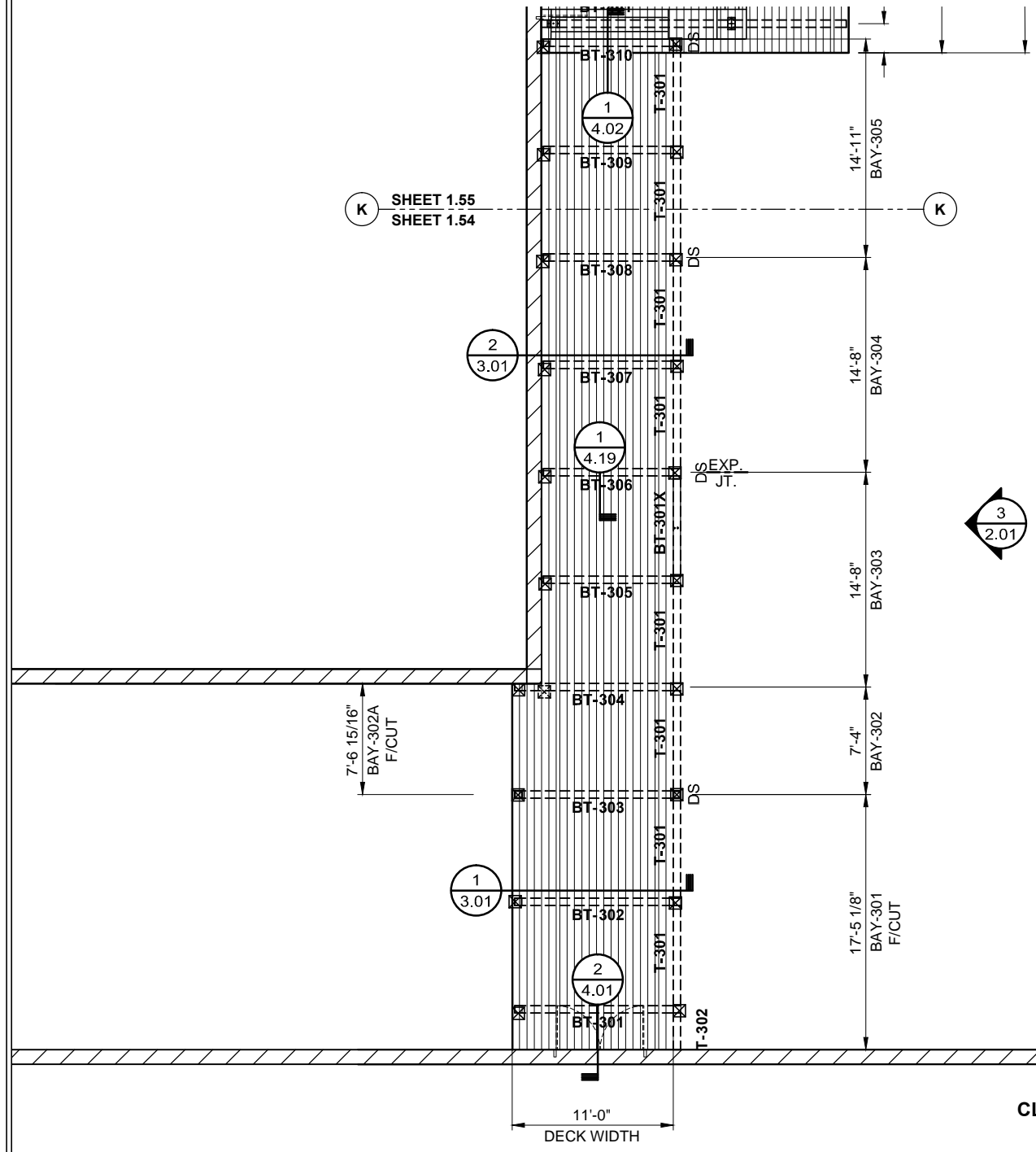
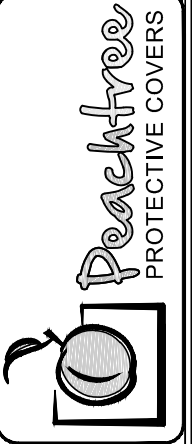
2
2.01

1
4.19

SHEET 1.53
SHEET 1.52

4
3.00

4.01

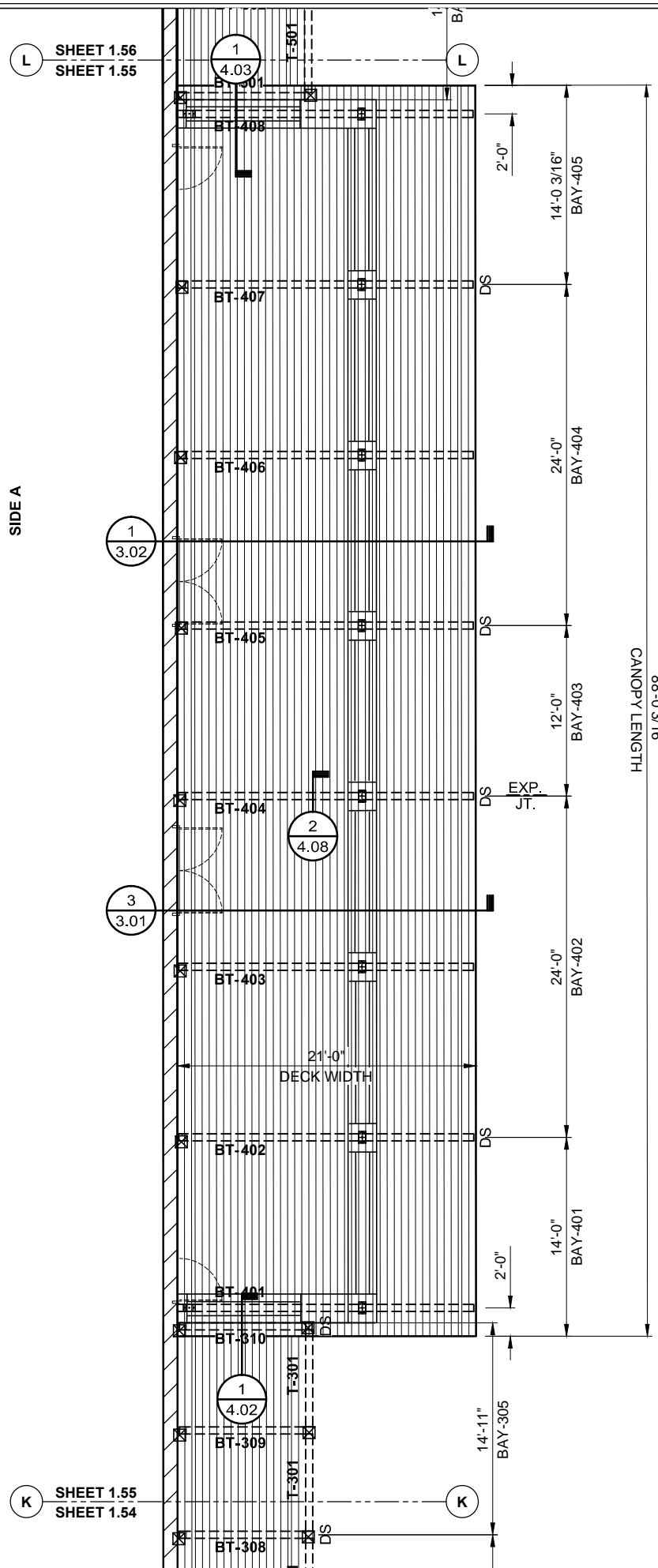


CLASSROOM C
F.F. = 4.00'

1 DECK PLAN
1.54 SCALE: 3/32" = 1'-0" CANOPY: C
REF.: 2/A410



PROJECT:	ACADEMY OF OUR LADY NEW HIGH SCHOOL	
CUSTOMER:	CITADEL BUILDERS, LLC	
ARCHITECT:	BURGDahl & GRAVES, AIA	
LOCATION:	MARRERO, LA	
DATE:	7/26/13	
DWN. BY:	RH	
CHKD. BY:	RW	
DRAWING NO.:	1.54	
PPC JOB NO.:	5610	
REV.:	DATE	SUBJECT
1	4/17/14	2ND SUBMITTAL
2	7/2/14	INITIAL F & F
3	7/15/14	F & F CANOPIES C, D & E
DWG. BY:	RH	
	RH	
	RV	



1 DECK PLAN
1.55 SCALE: 3/32"=1'-0" CANOPIES: C, D & E
REF.: A105 & 2/A410

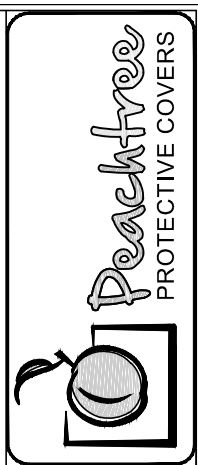


CANOPY LENGTH
14'-0 3/16"=88"

SIDE A

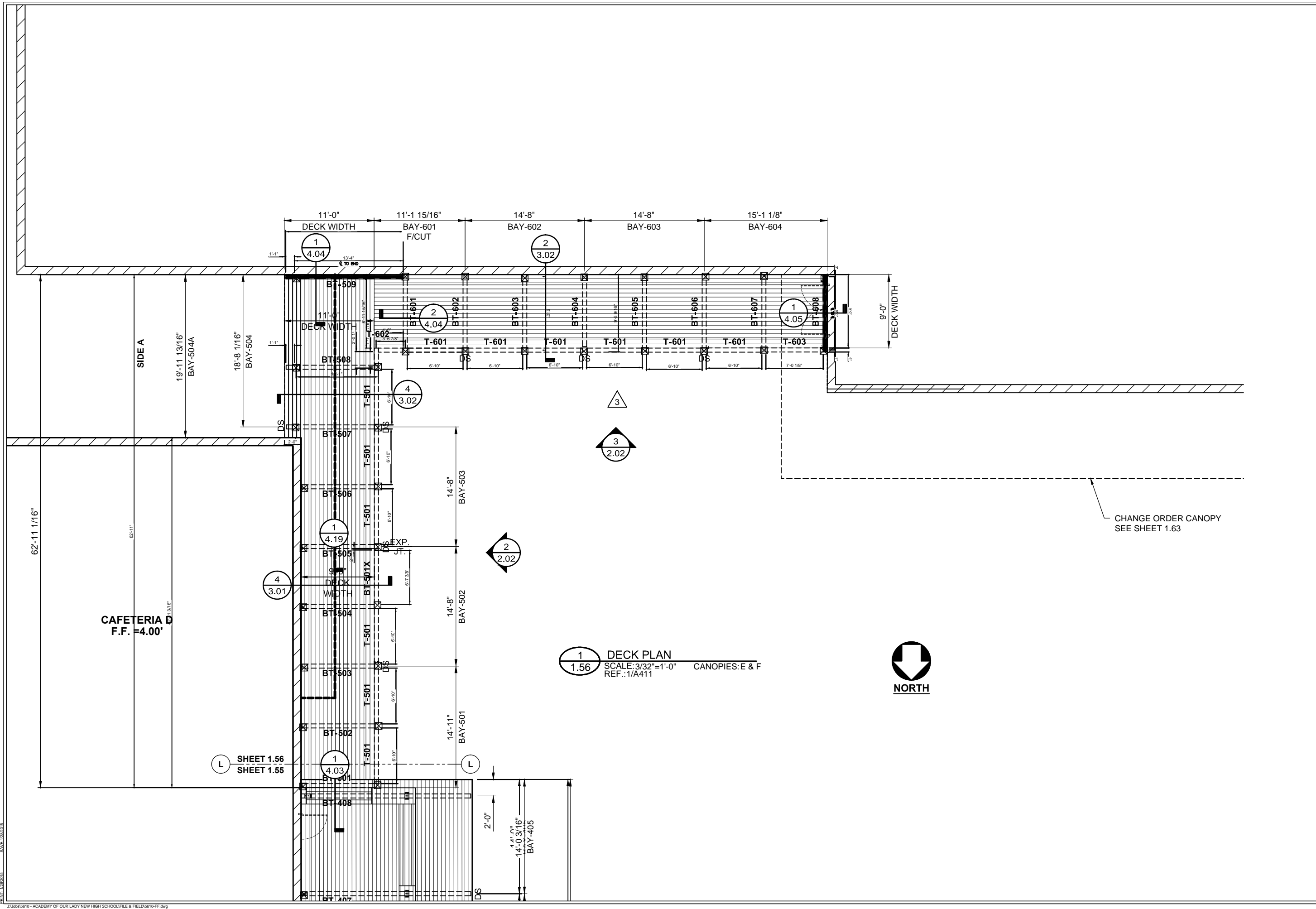
L SHEET 1.56
SHEET 1.55

K SHEET 1.55
SHEET 1.54



REV.	DATE	SUBJECT	DWG. BY
1	4/17/14	2ND SUBMITTAL	RH
2	7/2/14	INITIAL F&F	RH
3	7/15/14	F & F CANOPIES C, D & E	RV

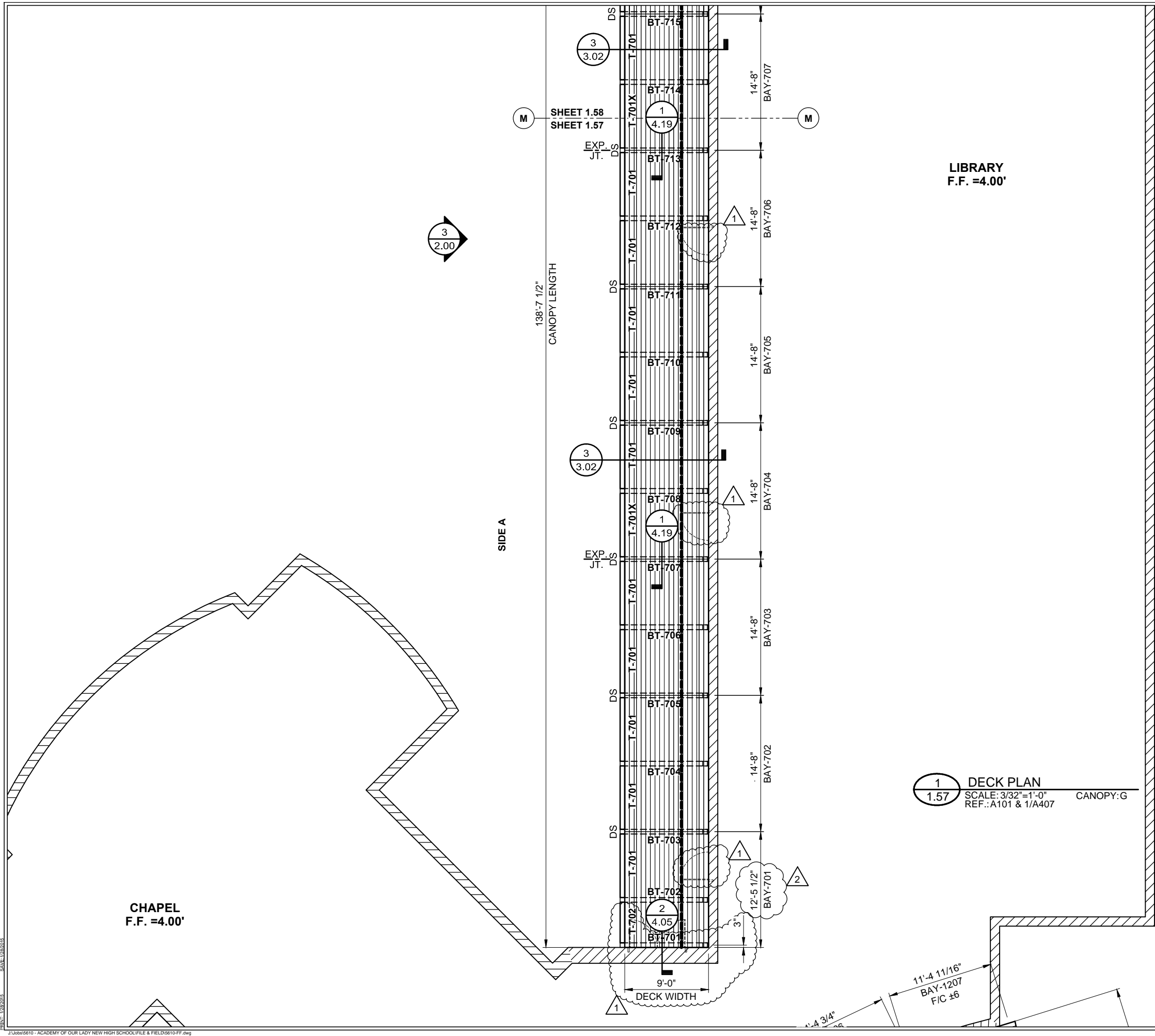
PROJECT:	ACADEMY OF OUR LADY NEW HIGH SCHOOL
CUSTOMER:	CITADEL BUILDERS, LLC
ARCHITECT:	BURGDahl & GRAVES, AIA
LOCATION:	MARRERO, LA
DATE:	7/26/13
DWN. BY:	RH
CHKD. BY:	RW
DRAWING NO.:	1.55
PPC JOB NO.:	5610



1 DECK PLAN
1.56 SCALE: 3/32"=1'-0" CANOPIES: E & F
REF.: 1/A411

SHEET 1.56
SHEET 1.55

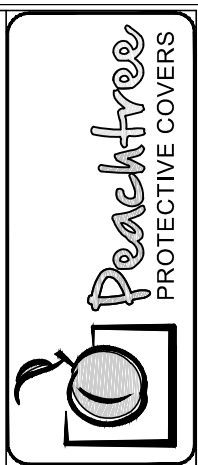
PROJECT:	ACADEMY OF OUR LADY NEW HIGH SCHOOL
CUSTOMER:	CITADEL BUILDERS, LLC
ARCHITECT:	BURGDahl & GRAVES, AIA
LOCATION:	MARRERO, LA
DATE:	7/26/13
DWN. BY:	RH
CHKD. BY:	RW
DRAWING NO.:	1.56
PPC JOB NO.:	5610
REV.:	1 4/17/14 2ND SUBMITTAL
DATE:	7/2/14 INITIAL F & F
REV.:	3 7/15/14 F & F CANOPIES C, D & E
DWG. BY:	RH
DATE:	



LIBRARY
F.F. =4.00'

CHAPEL
F.F. =4.00'

1 DECK PLAN
1.57 SCALE: 3/32"=1'-0" CANOPY: G
REF.: A101 & 1/A407



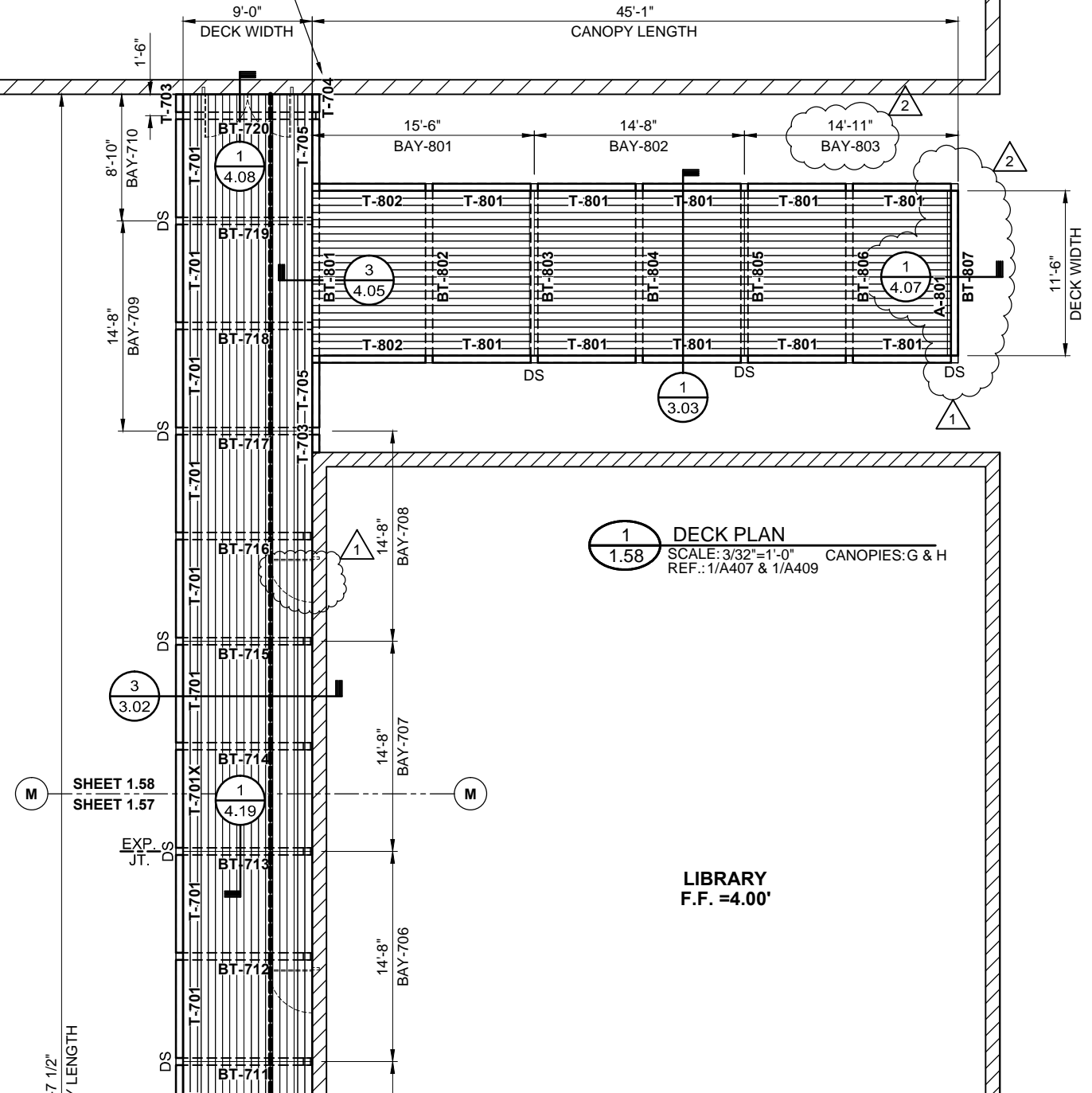
REV.	DATE	SUBJECT	DWG. BY
1	4/17/14	2ND SUBMITTAL	RH
2	7/2/14	INITIAL F & F	RH

PROJECT:	ACADEMY OF OUR LADY NEW HIGH SCHOOL
CUSTOMER:	CITADEL BUILDERS, LLC
ARCHITECT:	BURGDahl & GRAVES, AIA
LOCATION:	MARRERO, LA
DATE:	7/26/13
DWN. BY:	RH
CHKD. BY:	RW
DRAWING NO.:	1.57
PPC JOB NO.:	5610

CLASSROOM C
F.F. = 4.00'

SIDE A

CHIP CONCRETE
4 LOCATIONS



1 DECK PLAN
1.58 SCALE: 3/32"=1'-0" CANOPIES: G & H
REF.: 1/A407 & 1/A409



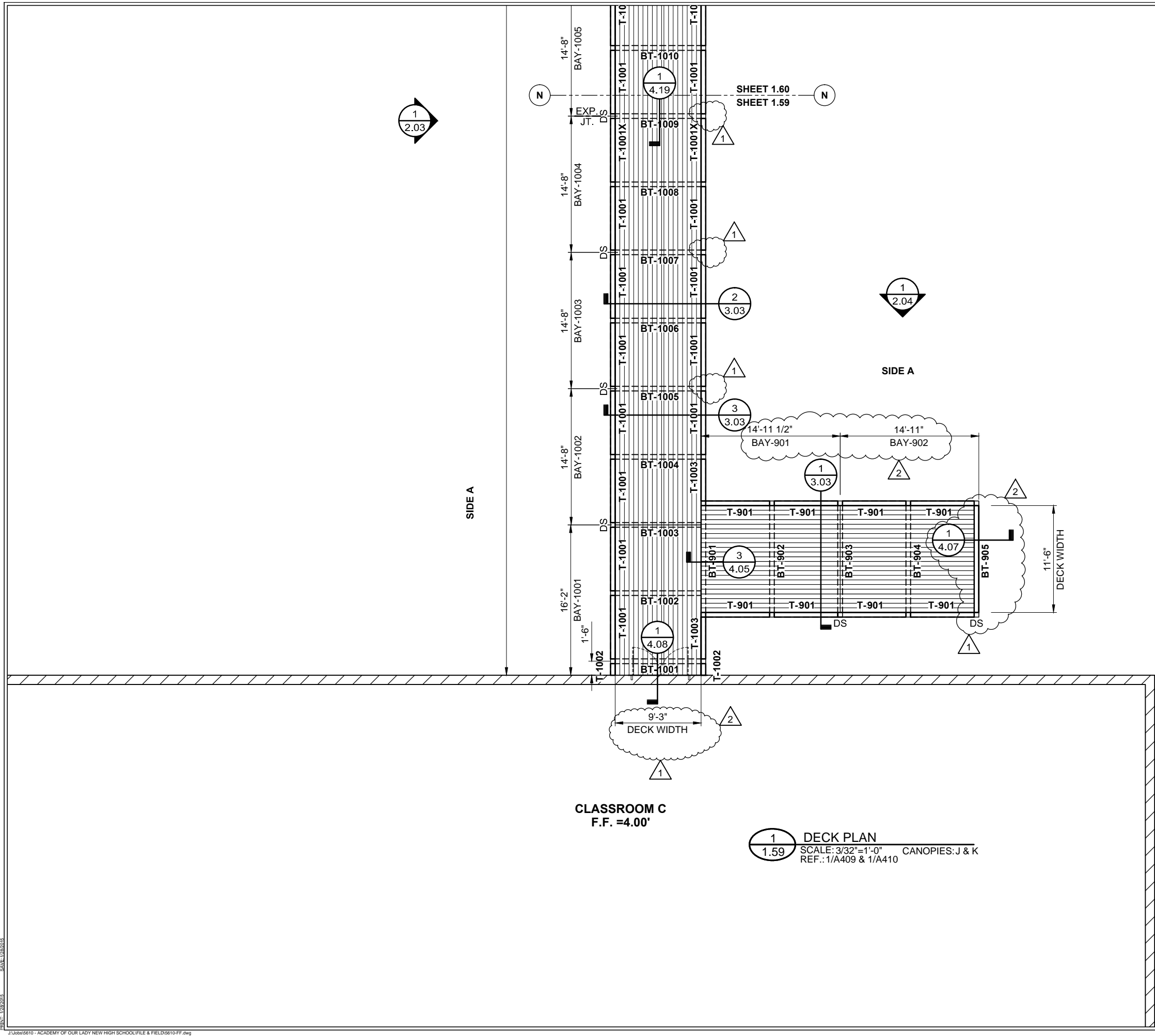
SIDE A

LIBRARY
F.F. = 4.00'

SHEET 1.58
SHEET 1.57

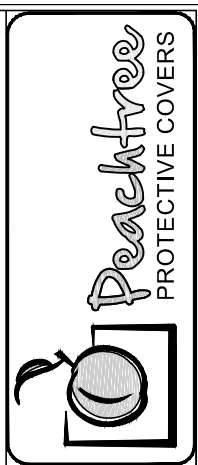


DWG. BY	RH	SUBJECT	2ND SUBMITTAL
REV.	1	DATE	4/17/14
	2	DATE	7/2/14
		SUBJECT	INITIAL F & F
PROJECT:	ACADEMY OF OUR LADY NEW HIGH SCHOOL		
CUSTOMER:	CITADEL BUILDERS, LLC		
ARCHITECT:	BURGDAHL & GRAVES, AIA		
LOCATION:	MARRERO, LA		
DATE:	7/26/13		
DWN. BY:	RH		
CHKD. BY:	RW		
DRAWING NO.:	1.58		
PPC JOB NO.:	5610		



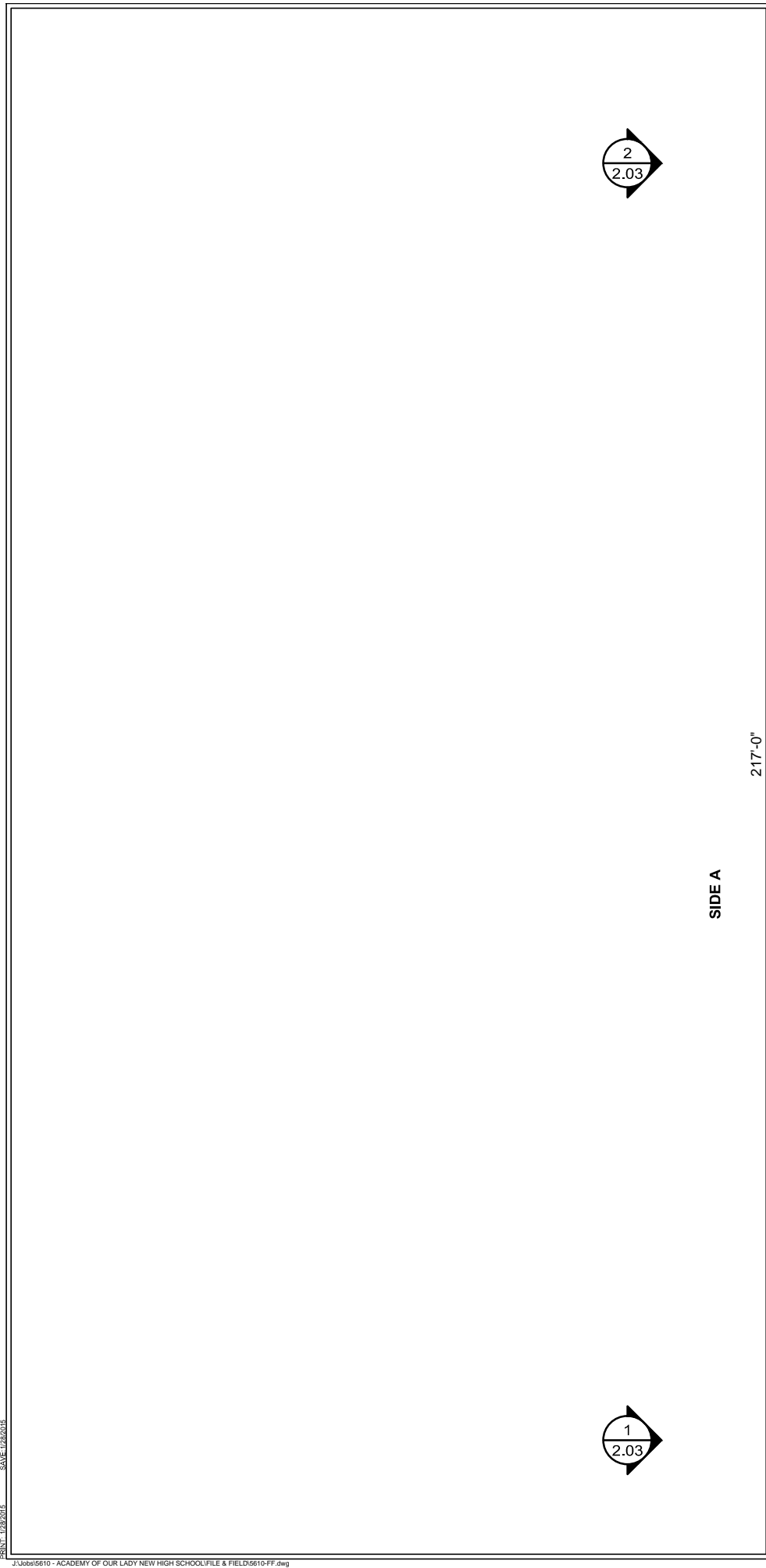
CLASSROOM C
F.F. = 4.00'

1
1.59 DECK PLAN
SCALE: 3/32"=1'-0" CANOPIES: J & K
REF.: 1/A409 & 1/A410



DWG. BY	RH
DATE	4/17/14
REV.	1
DATE	7/2/14
REV.	2
SUBJECT	2ND SUBMITTAL
	INITIAL F & F

PROJECT:	ACADEMY OF OUR LADY NEW HIGH SCHOOL
CUSTOMER:	CITADEL BUILDERS, LLC
ARCHITECT:	BURGDahl & GRAVES, AIA
LOCATION:	MARRERO, LA
DATE:	7/26/13
DWN. BY:	RH
CHKD. BY:	RW
DRAWING NO.:	1.59
PPC JOB NO.:	5610

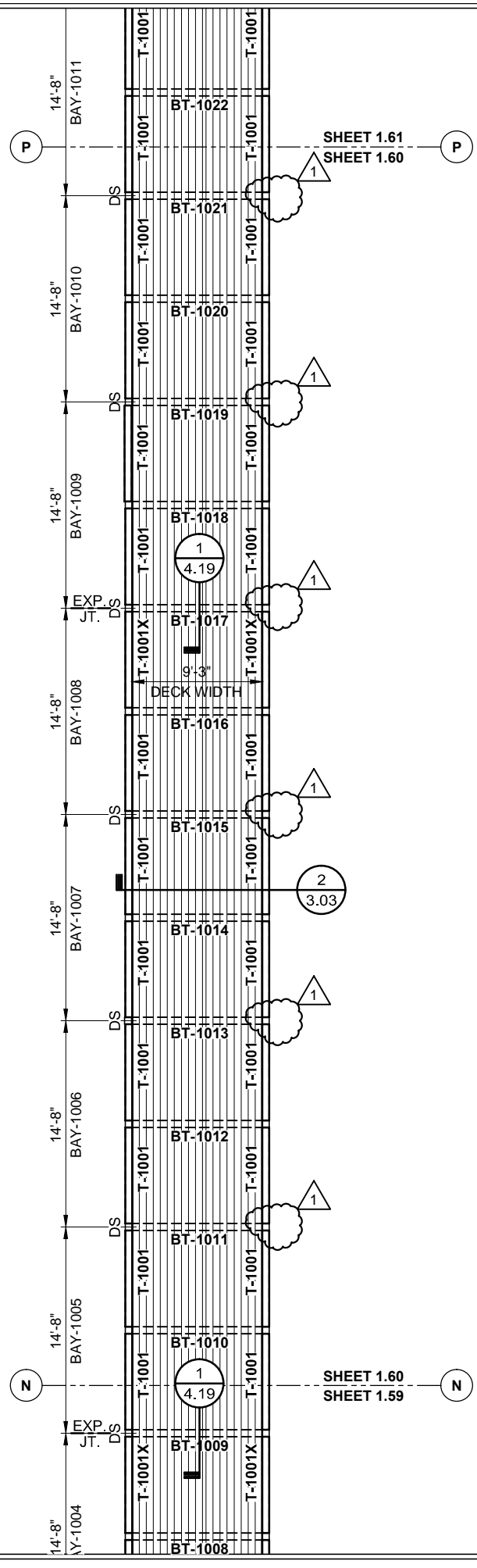


2
2.03

1
2.03

SIDE A

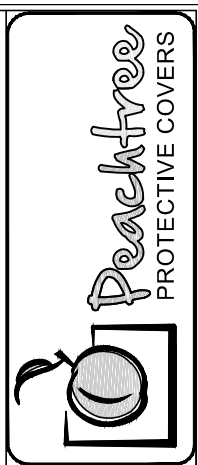
217'-0"
CANOPY LENGTH



SHEET 1.61
SHEET 1.60

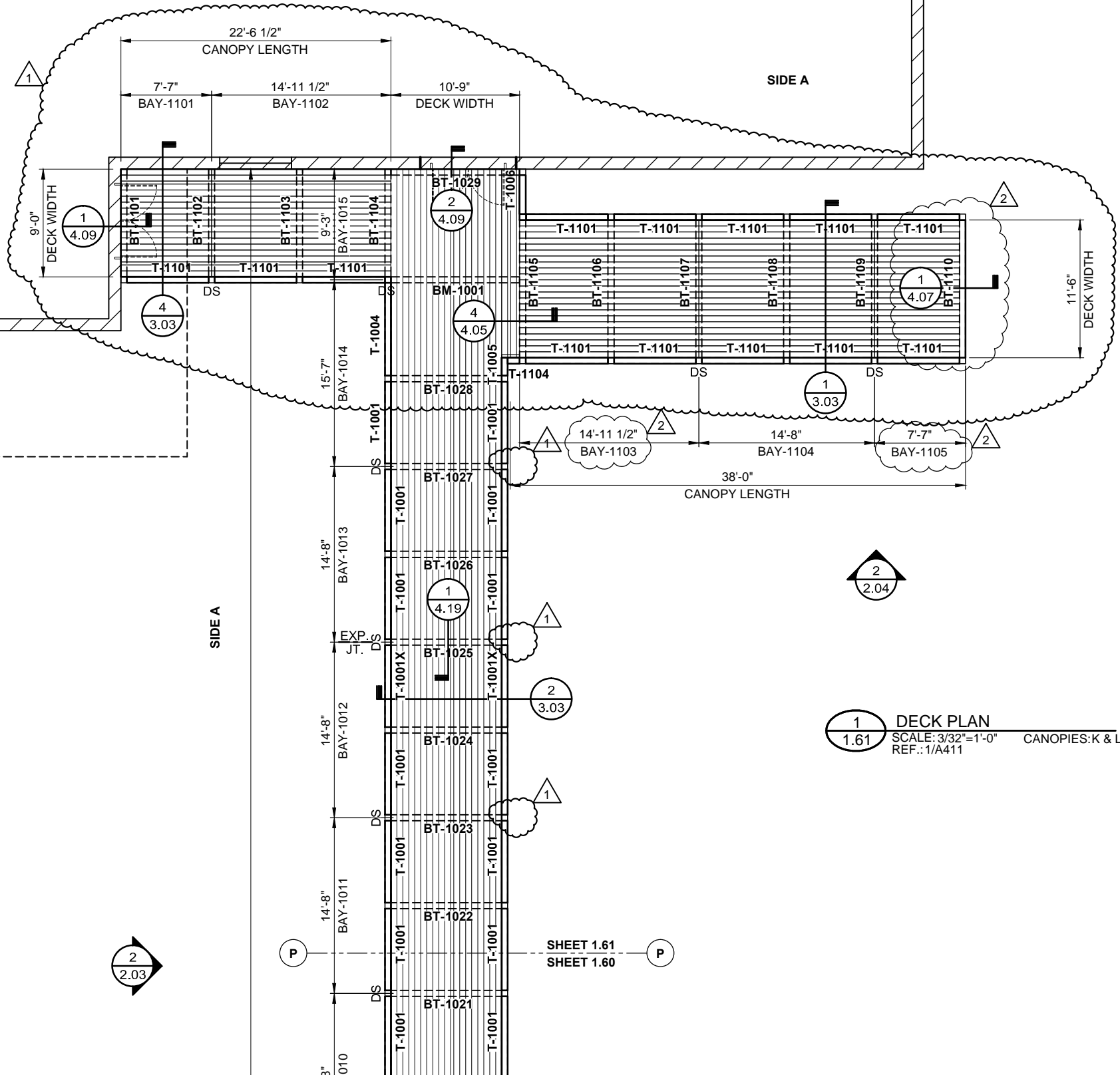
SHEET 1.60
SHEET 1.59

1
1.60 DECK PLAN
SCALE: 3/32"=1'-0" CANOPY:K
REF.: 1/A410



PROJECT:	ACADEMY OF OUR LADY NEW HIGH SCHOOL
CUSTOMER:	CITADEL BUILDERS, LLC
ARCHITECT:	BURGDahl & GRAVES, AIA
LOCATION:	MARRERO, LA
DATE:	7/26/13
DWN. BY:	RH
CHKD. BY:	RW
DRAWING NO.:	1.60
PPC JOB NO.:	5610
REV.:	1
DATE:	7/2/14
SUBJECT:	2ND SUBMITTAL
DWG. BY:	RH

GYMNASIUM E
F.F. = 4.00'



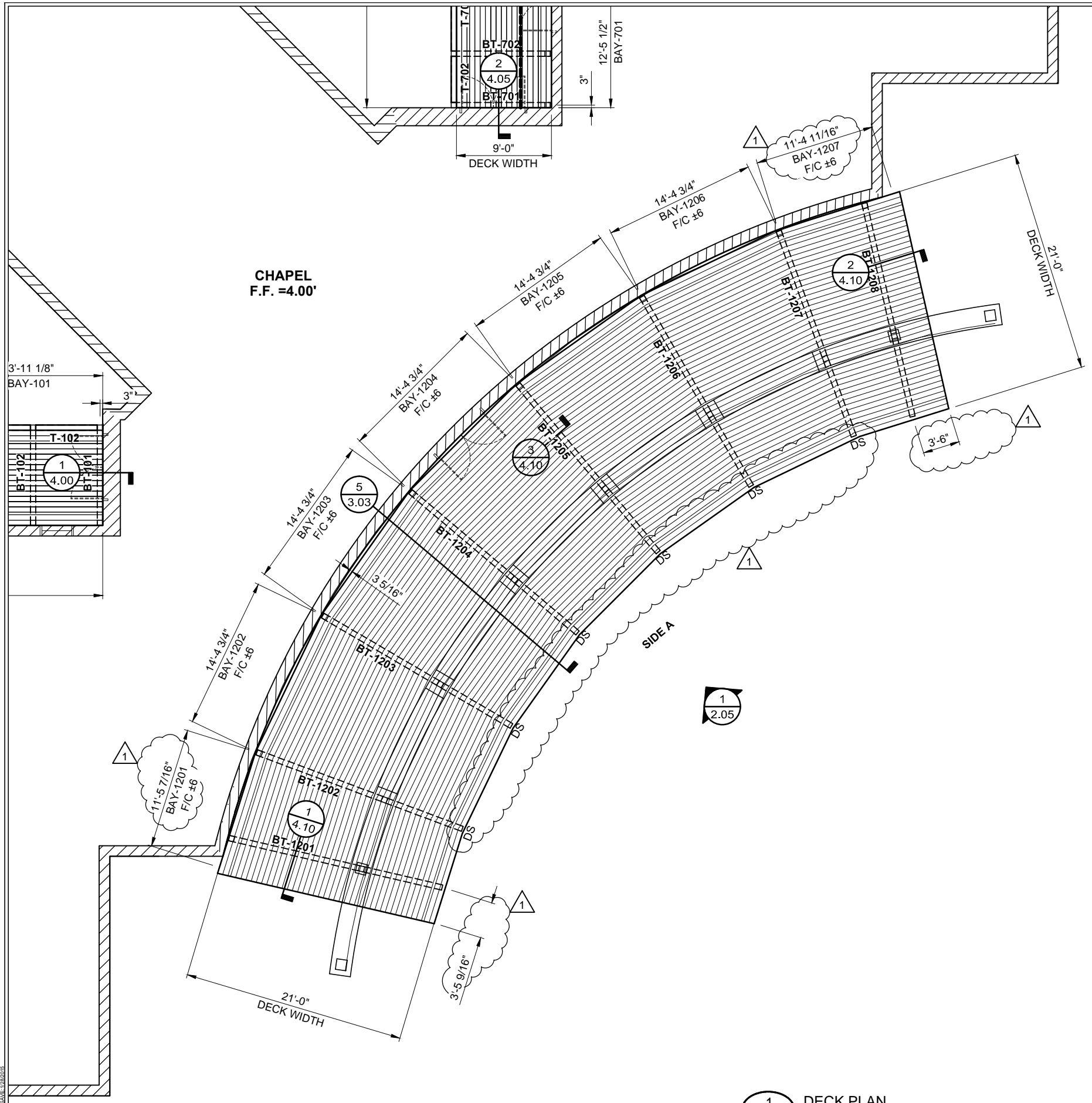
CHANGE ORDER CANOPY
SEE SHEET 1.63

1 DECK PLAN
1.61 SCALE: 3/32"=1'-0"
REF.: 1/A411 CANOPIES: K & L



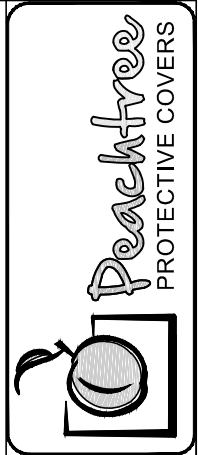
SHEET 1.61
SHEET 1.60

PROJECT:	ACADEMY OF OUR LADY NEW HIGH SCHOOL
CUSTOMER:	CITADEL BUILDERS, LLC
ARCHITECT:	BURGDahl & GRAVES, AIA
LOCATION:	MARRERO, LA
DATE:	7/26/13
DWN. BY:	RH
CHKD. BY:	RW
DRAWING NO.:	1.61
PPC JOB NO.:	5610
REV.:	1 4/17/14 2ND SUBMITTAL 2 7/2/14 INITIAL F&F
DATE:	4/17/14 7/2/14
SUBJECT:	2ND SUBMITTAL INITIAL F&F
DWG. BY:	RH RH



CHAPEL
F.F. = 4.00'

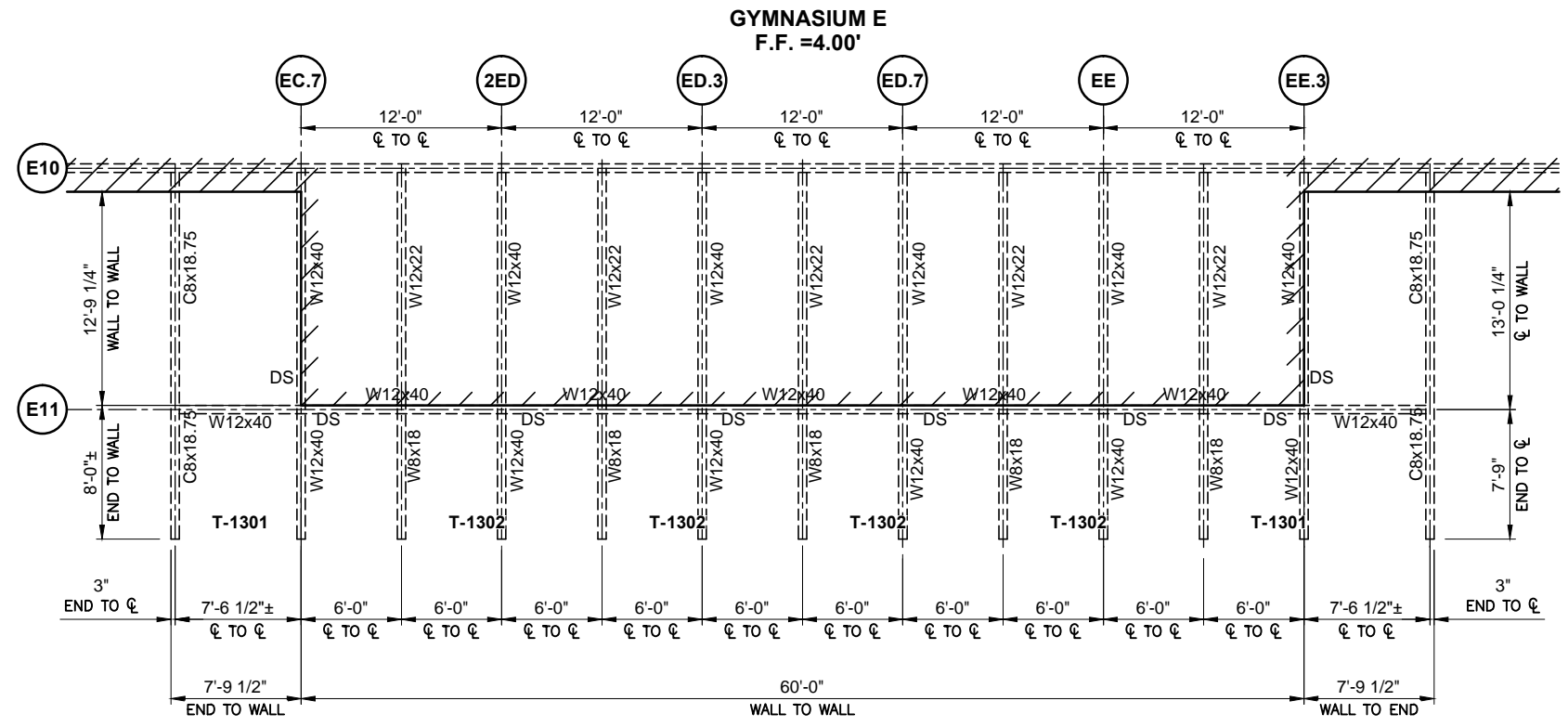
1 DECK PLAN
1.62 SCALE: 3/32"=1'-0" CANOPY:M
REF.: A101 & 2/A407



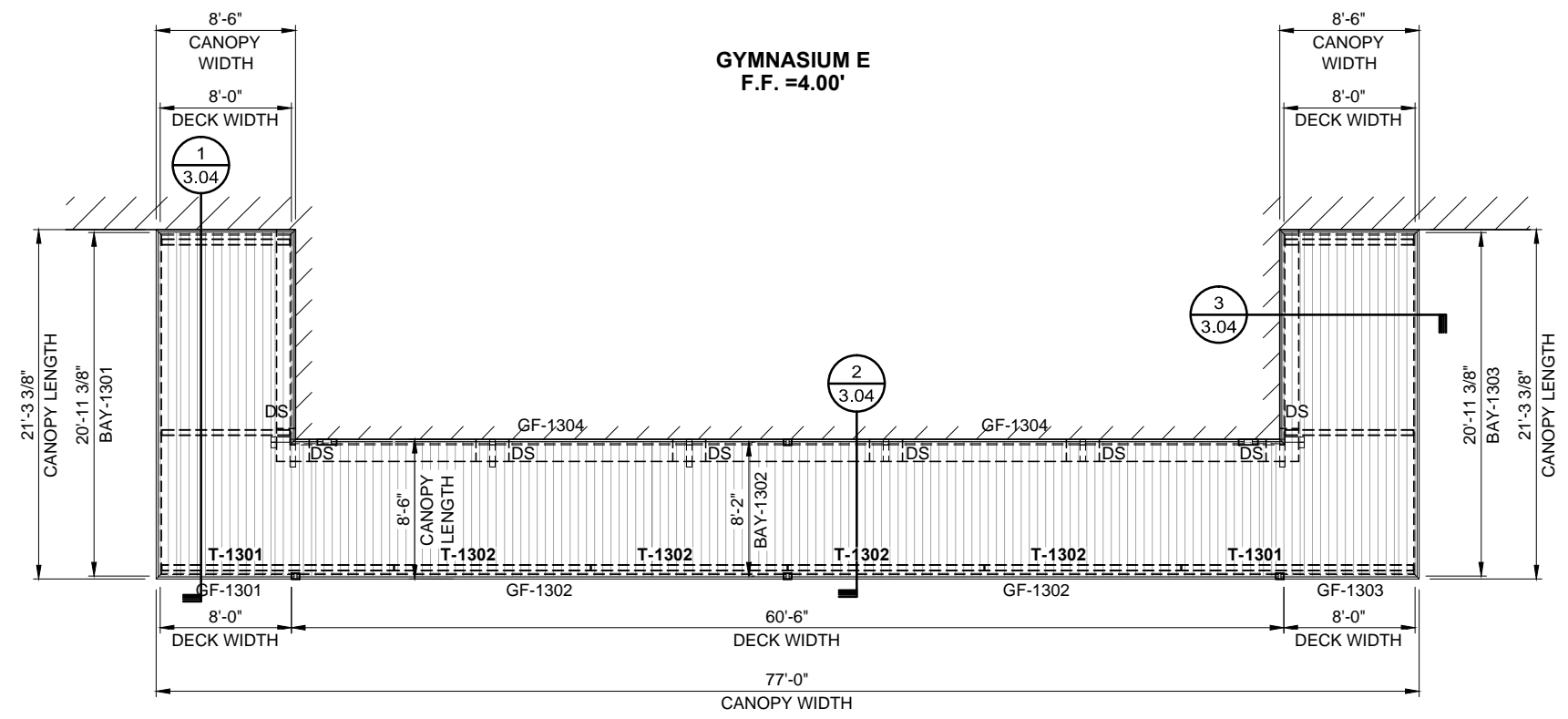
REV.	DATE	SUBJECT
1	4/17/14	2ND SUBMITTAL
2	7/2/14	INITIAL F&F

PROJECT:	ACADEMY OF OUR LADY NEW HIGH SCHOOL
CUSTOMER:	CITADEL BUILDERS, LLC
ARCHITECT:	BURGDahl & GRAVES, AIA
LOCATION:	MARRERO, LA
DATE:	7/26/13
DWN. BY:	RH
CHKD. BY:	RW
DRAWING NO.:	1.62
PPC JOB NO.:	5610

SCALE: 3/32"=1'-0"



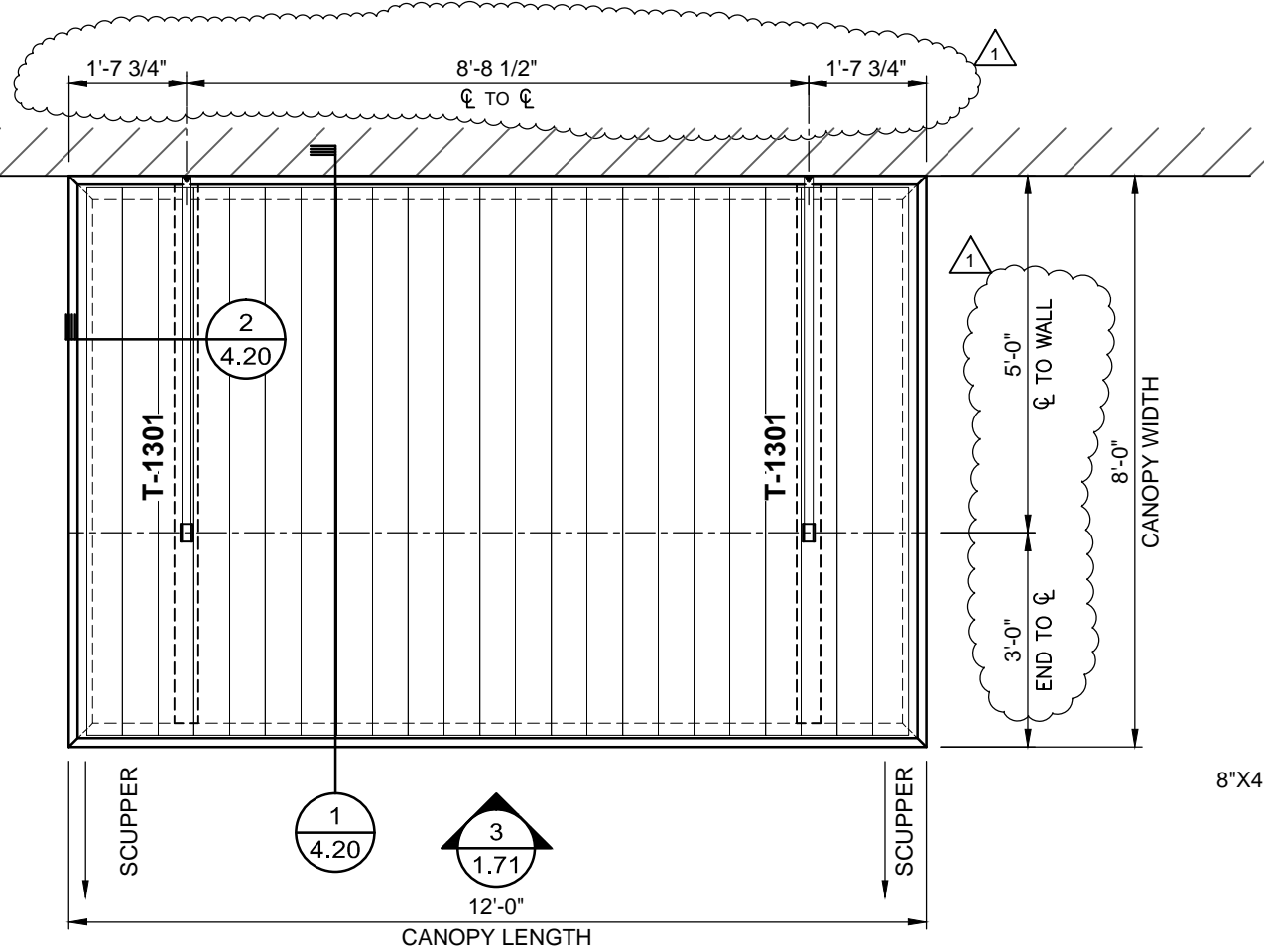
1
1.63 **STEEL FRAMING PLAN**
SCALE: 3/32"=1'-0" CANOPY:R
REF.: S-115



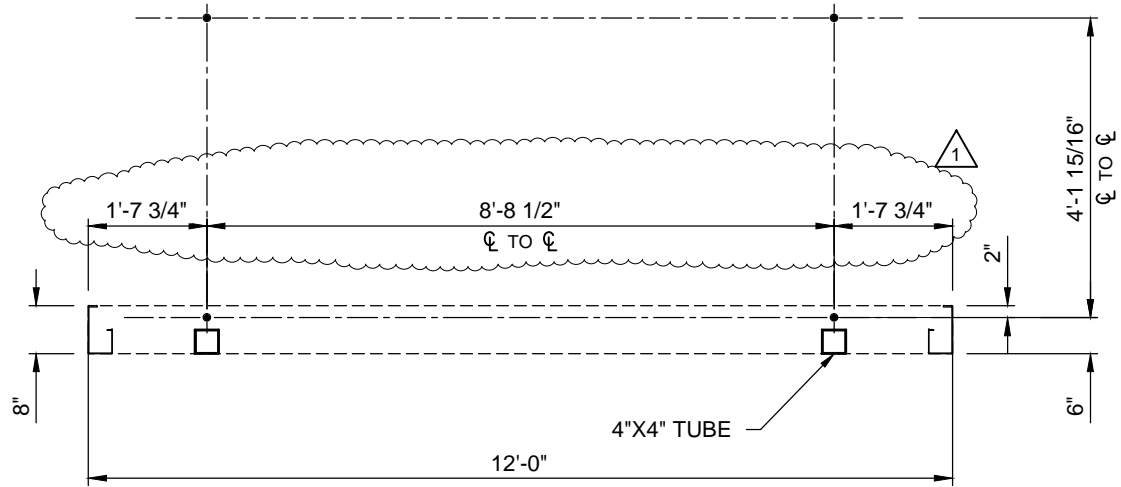
2
1.63 **DECK PLAN**
SCALE: 3/32"=1'-0" CANOPY:R
REF.: ASK032

DWG. BY	RH
REV.	1
DATE	4/17/14
SUBJECT	2ND SUBMITTAL
REV.	2
DATE	7/2/14
SUBJECT	INITIAL F&F

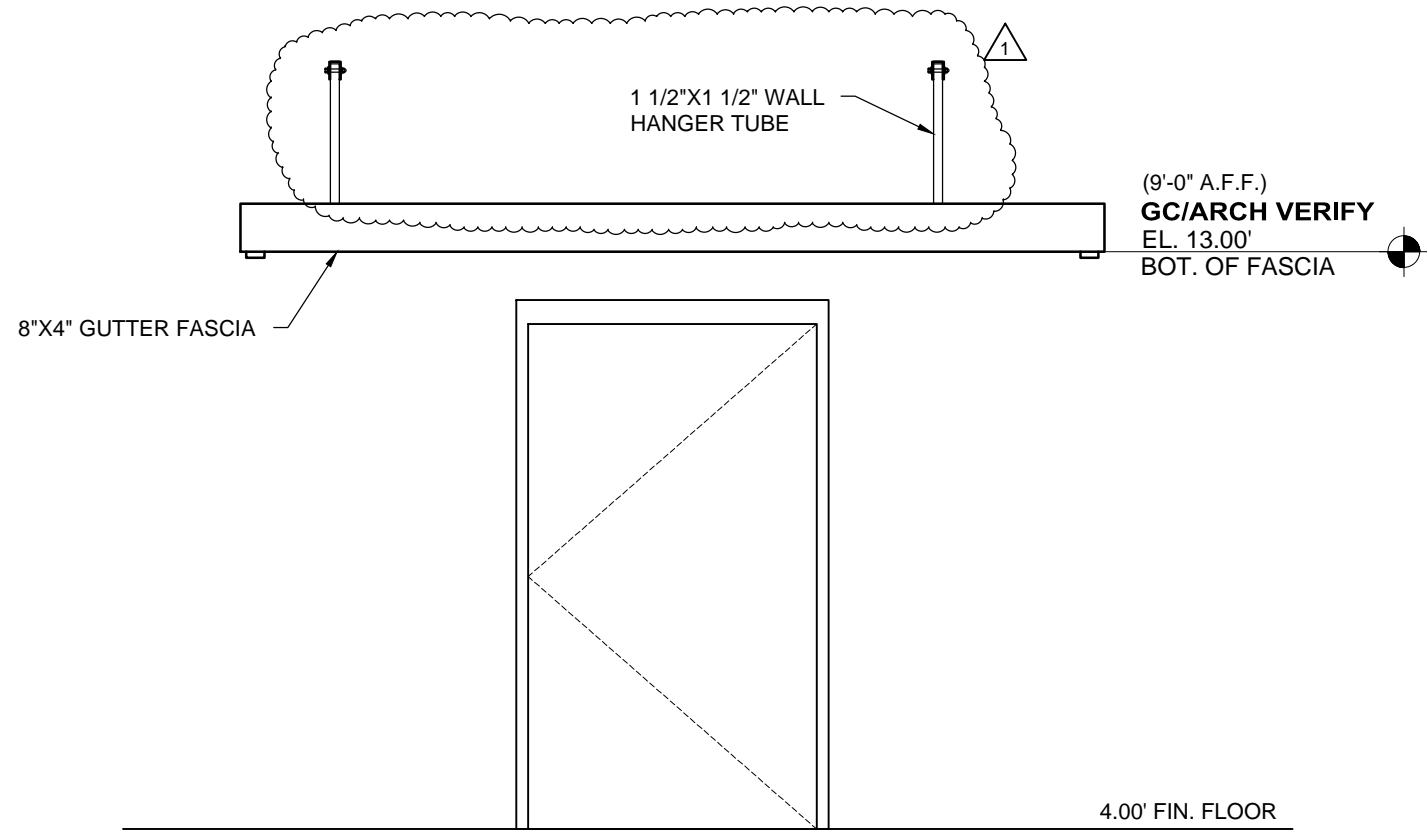
PROJECT:	ACADEMY OF OUR LADY NEW HIGH SCHOOL
CUSTOMER:	CITADEL BUILDERS, LLC
ARCHITECT:	BURGDahl & GRAVES, AIA
LOCATION:	MARRERO, LA
DATE:	7/26/13
DWN. BY:	RH
CHKD. BY:	RW
DRAWING NO.:	1.63
PPC JOB NO.:	5610



1 CANOPY PLAN
 SCALE: 5/16"=1'-0" CANOPY:N
 REF.: 2/A410



2 BOLT SETTING PLAN
 SCALE: 5/16"=1'-0" CANOPY:N
 REF.:

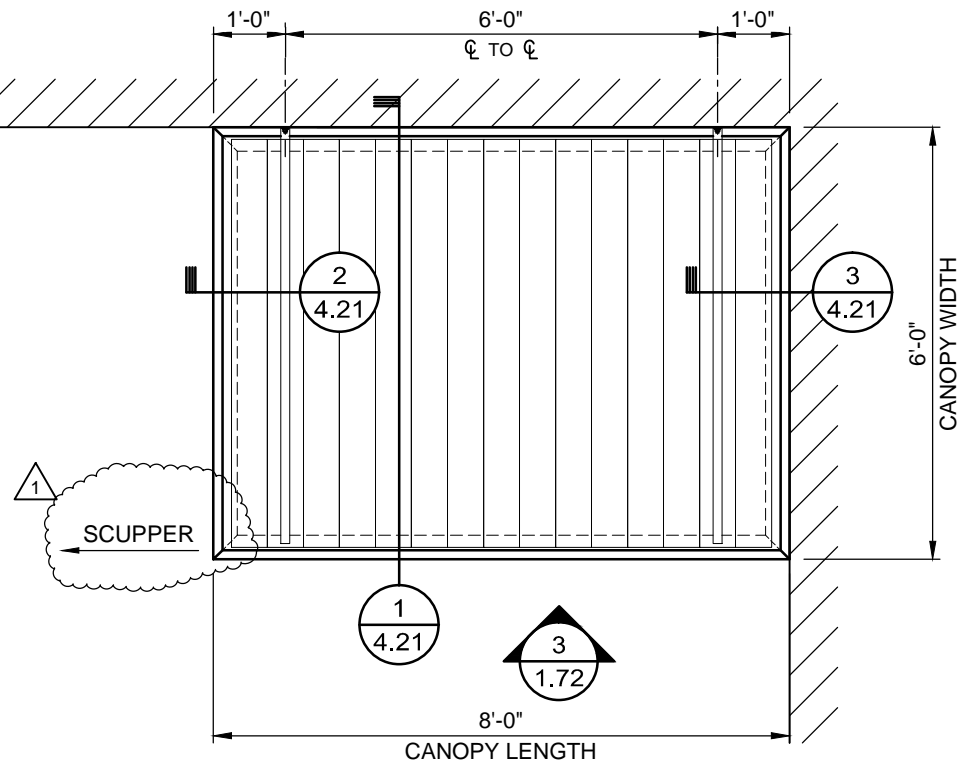


3 CANOPY ELEVATION
 SCALE: 5/16"=1'-0" CANOPY:N
 REF.: 4/A605

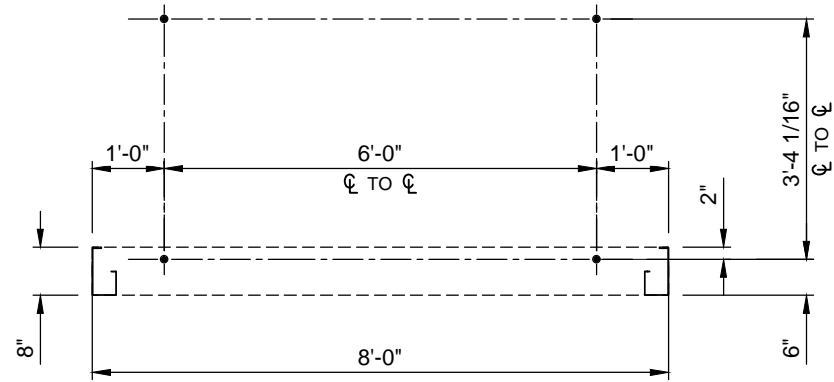
DWG. BY	RH
DATE	4/17/14
REV.	1
SUBJECT	2ND SUBMITTAL

PROJECT:	ACADEMY OF OUR LADY NEW HIGH SCHOOL
CUSTOMER:	CITADEL BUILDERS, LLC
ARCHITECT:	BURGDahl & GRAVES, AIA
LOCATION:	MARRERO, LA

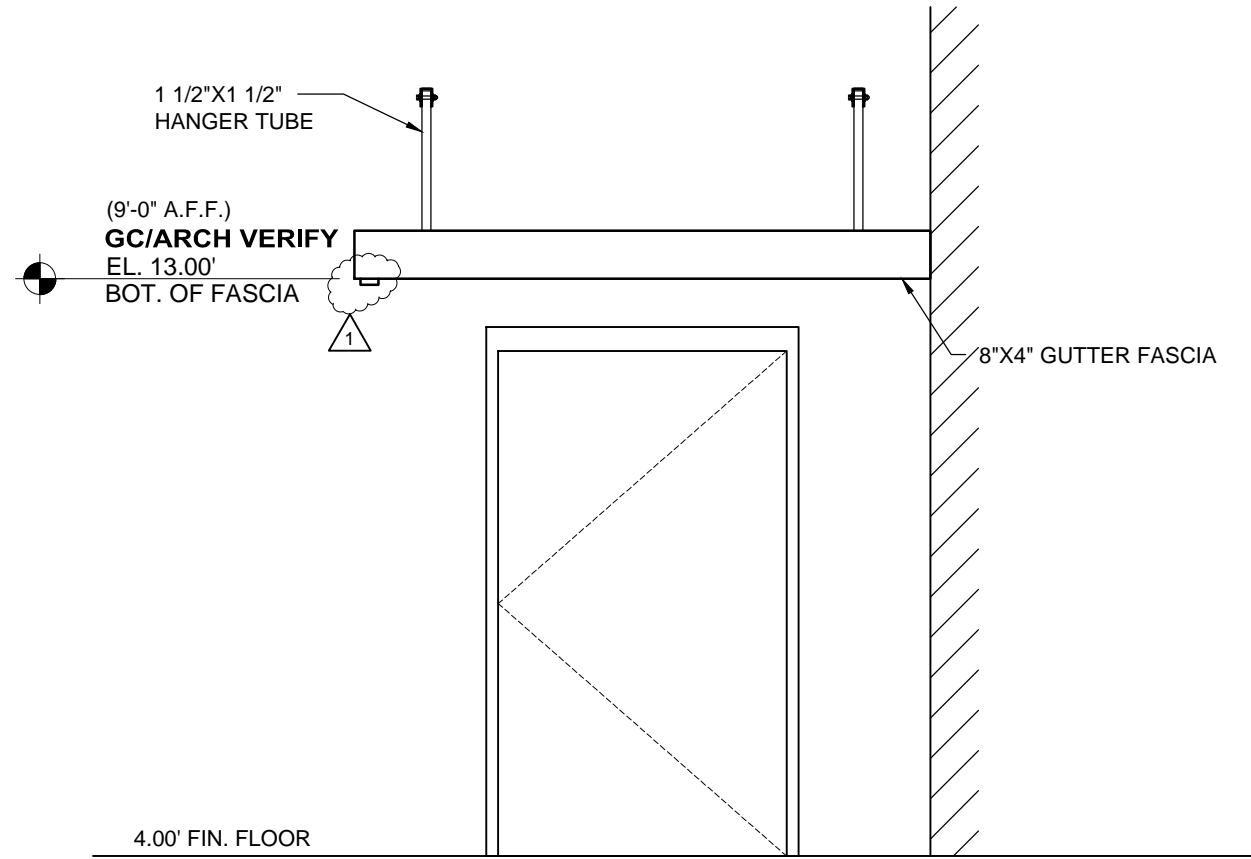
DATE:	7/26/13
DWN. BY:	RH
CHKD. BY:	RW
DRAWING NO.:	1.71
PPC JOB NO.:	5610



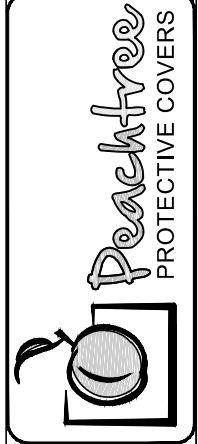
1 CANOPY PLAN
 1.72 SCALE: 5/16"=1'-0" CANOPY:P
 REF.: 1/A411



2 BOLT SETTING PLAN
 1.72 SCALE: 5/16"=1'-0" CANOPY:P
 REF.:



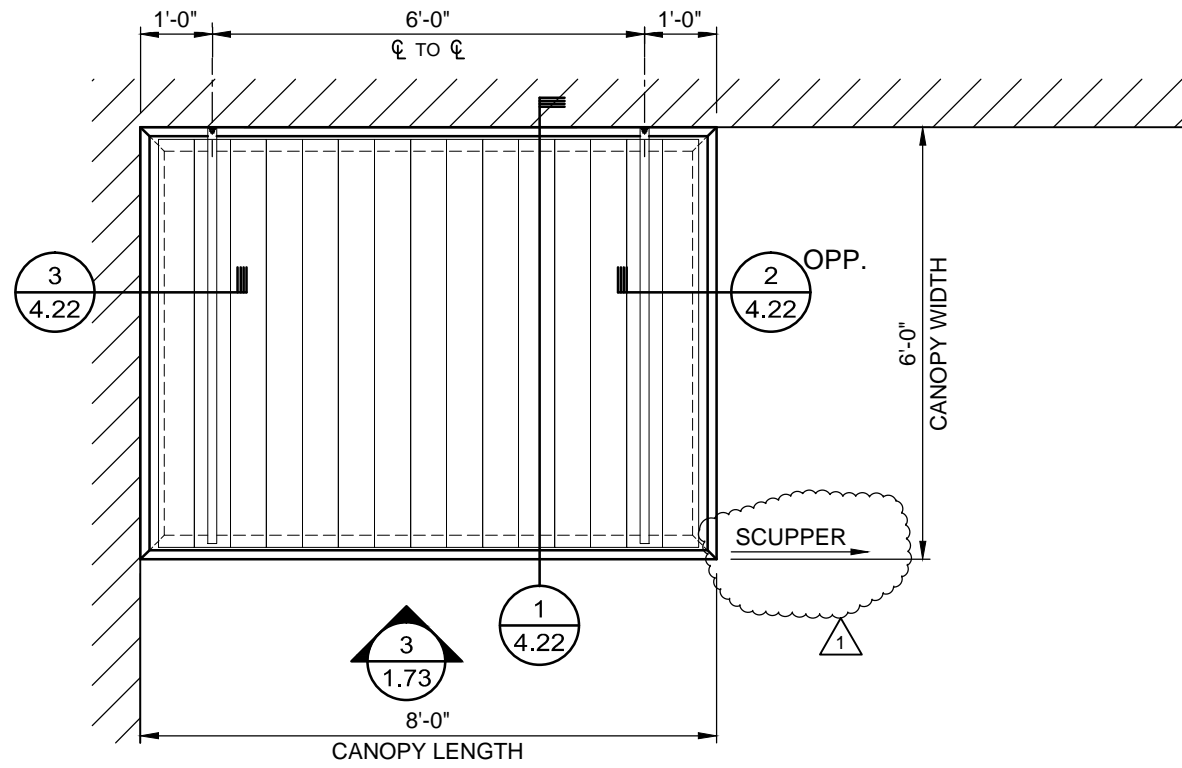
3 CANOPY ELEVATION
 1.72 SCALE: 5/16"=1'-0" CANOPY:P
 REF.: 2/A608



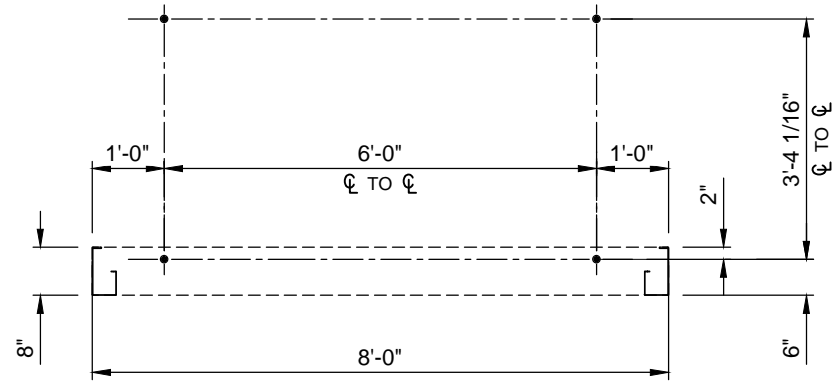
DWG. BY:	RH
SUBJECT:	2ND SUBMITTAL
DATE:	4/17/14
REV.:	1

PROJECT: ACADEMY OF OUR LADY NEW HIGH SCHOOL
 CUSTOMER: CITADEL BUILDERS, LLC
 ARCHITECT: BURGDAHL & GRAVES, AIA
 LOCATION: MARRERO, LA

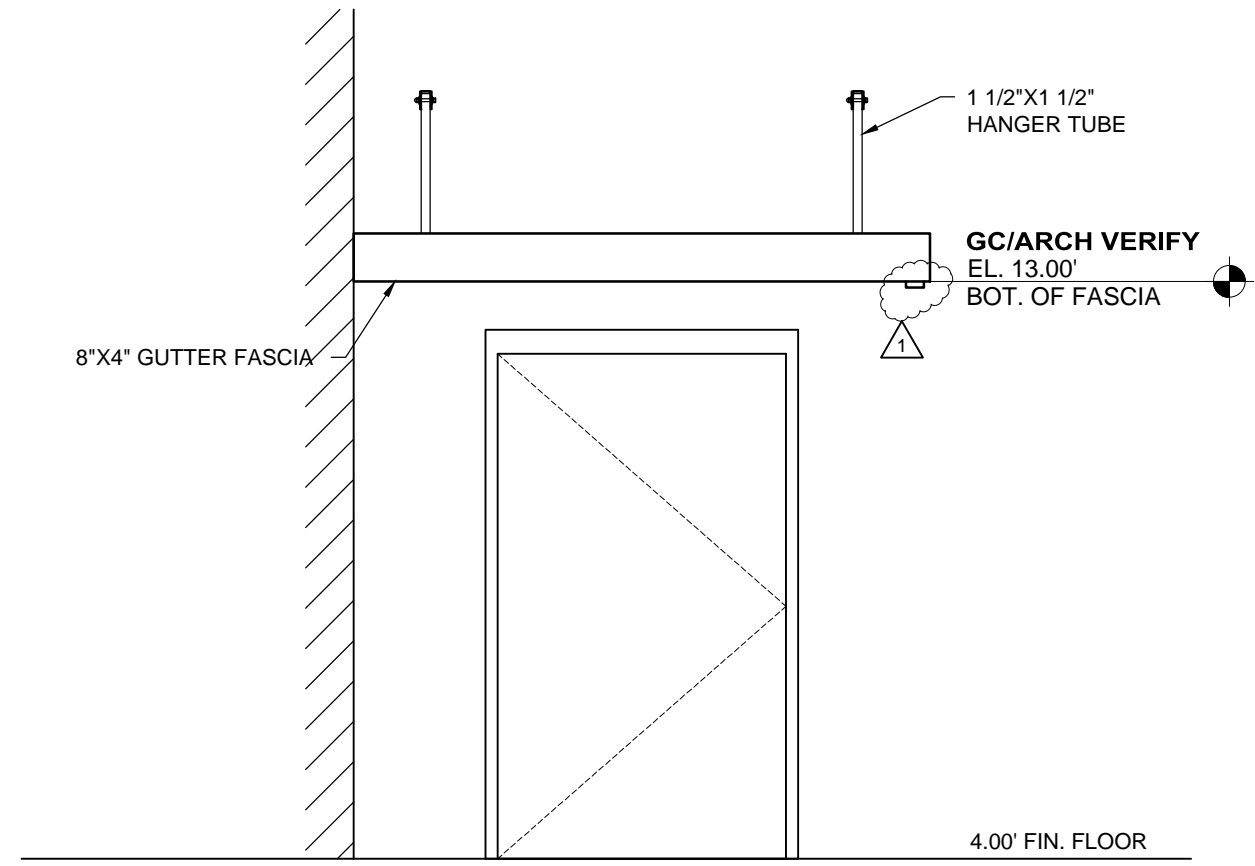
DATE:	7/26/13
DWN. BY:	RH
CHKD. BY:	RW
DRAWING NO.:	1.72
PPC JOB NO.:	5610



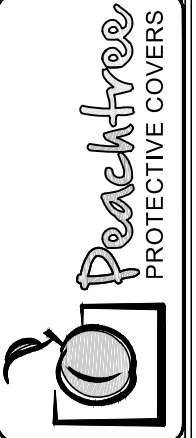
1 CANOPY PLAN
 1.73 SCALE: 5/16"=1'-0" CANOPY:Q
 REF.: 1/A411



2 BOLT SETTING PLAN
 1.73 SCALE: 5/16"=1'-0" CANOPY:Q
 REF.:



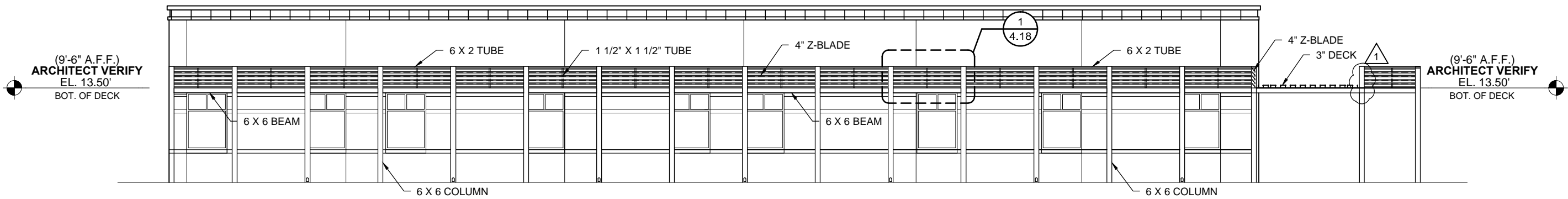
3 CANOPY ELEVATION
 1.73 SCALE: 5/16"=1'-0" CANOPY:Q
 REF.: 2/A608



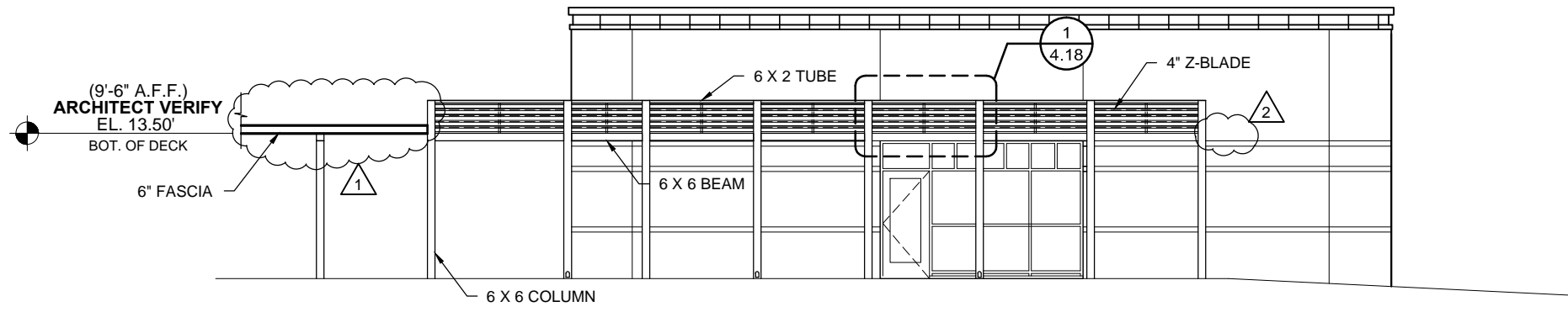
DWG. BY:	RH
SUBJECT:	2ND SUBMITTAL
DATE:	4/17/14
REV.:	1

PROJECT: ACADEMY OF OUR LADY NEW HIGH SCHOOL
 CUSTOMER: CITADEL BUILDERS, LLC
 ARCHITECT: BURGDahl & GRAVES, AIA
 LOCATION: MARRERO, LA

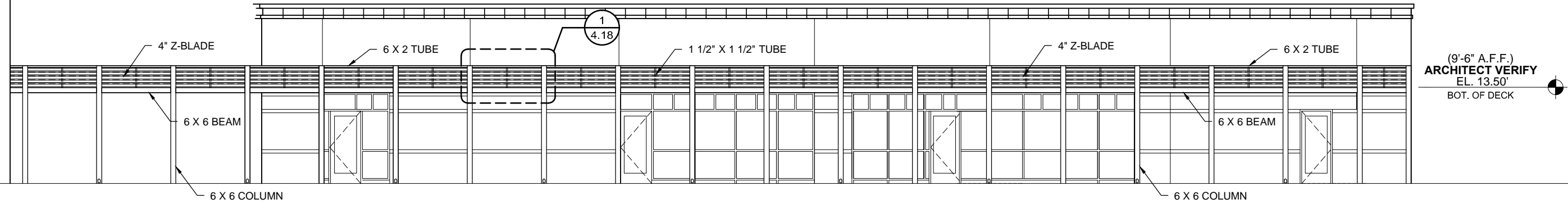
DATE:	7/26/13
DWN. BY:	RH
CHKD. BY:	RW
DRAWING NO.:	1.73
PPC JOB NO.:	5610



1
2.00 ELEVATION ADMIN. BLDG
SCALE: 3/32"=1'-0" CANOPY: A
REF.: 3/A601



2
2.00 ELEVATION
SCALE: 3/32"=1'-0" CANOPY: B
REF.: 4/A601



3
2.00 ELEVATION
SCALE: 3/32"=1'-0" CANOPY: G
REF.: 2/A601

DWG. BY:	RH
DATE:	4/17/14
SUBJECT:	2ND SUBMITTAL
REV.:	1
REV.:	2
DATE:	7/2/14
SUBJECT:	INITIAL F&F

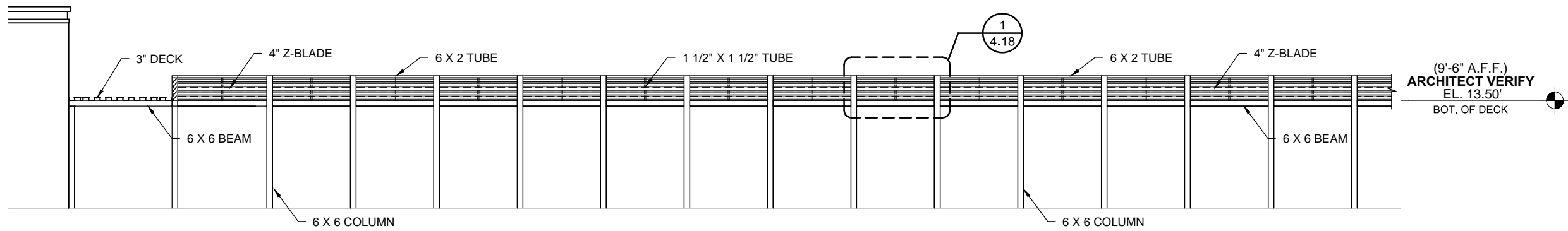
PROJECT: ACADEMY OF OUR LADY NEW HIGH SCHOOL
 CUSTOMER: CITADEL BUILDERS, LLC
 ARCHITECT: BURGDAHL & GRAVES, AIA
 LOCATION: MARRERO, LA

DATE:	7/26/13
DWN. BY:	RH
CHKD. BY:	RW
DRAWING NO.:	2.00
PPC JOB NO.:	5610

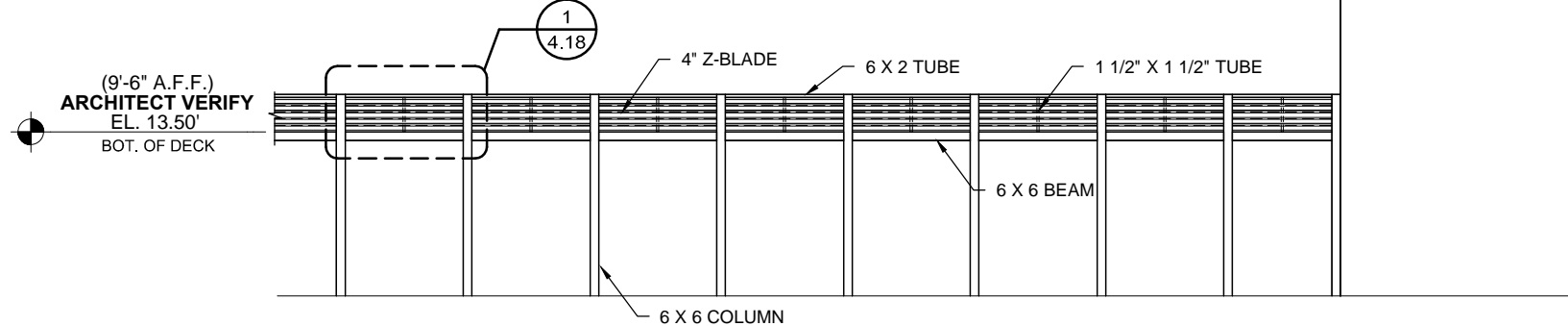
DWG. BY	SUBJECT	DATE	REV.

PROJECT: ACADEMY OF OUR LADY NEW HIGH SCHOOL
 CUSTOMER: CITADEL BUILDERS, LLC
 ARCHITECT: BURGDahl & GRAVES, AIA
 LOCATION: MARRERO, LA

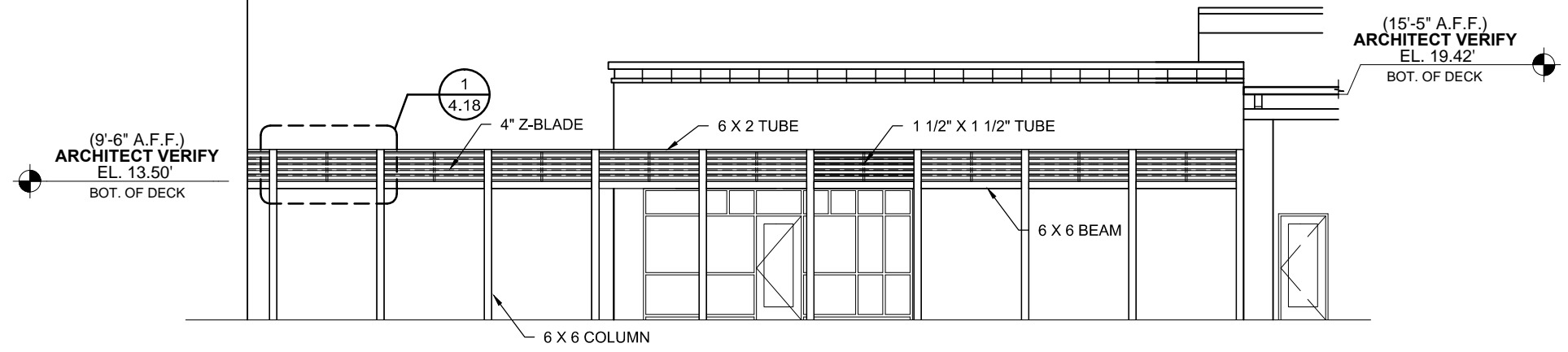
DATE:	7/26/13
DWN. BY:	RH
CHKD. BY:	RW
DRAWING NO.:	2.01
PPC JOB NO.:	5610



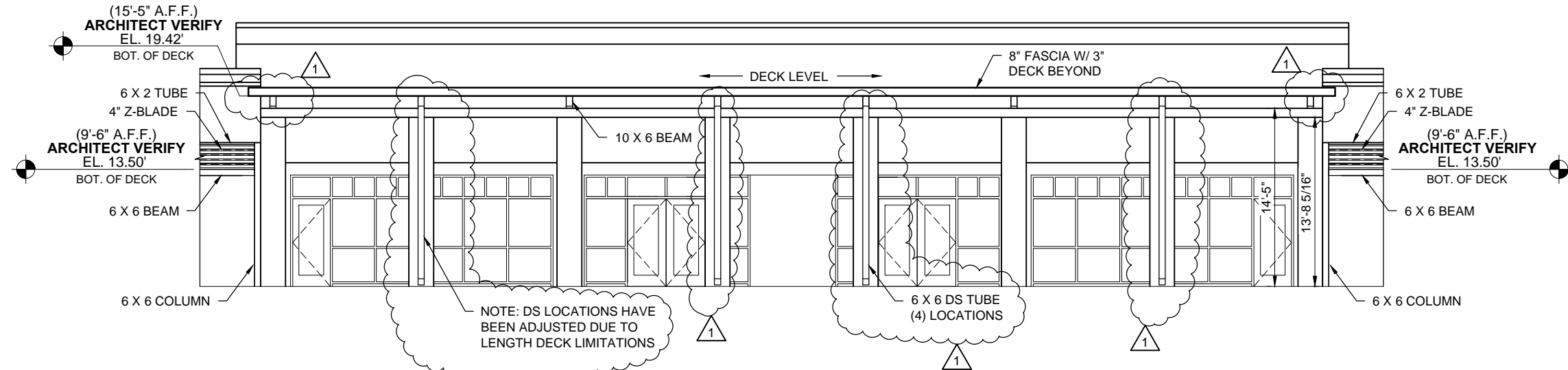
1 ELEVATION
 2.01 SCALE: 3/32"=1'-0" CANOPY: B
 REF.:



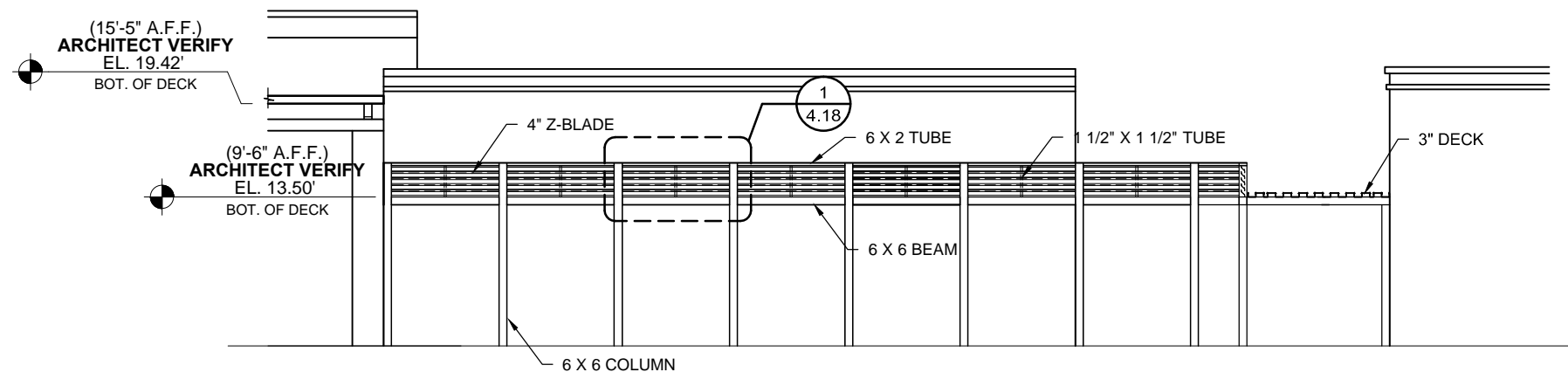
2 ELEVATION
 2.01 SCALE: 3/32"=1'-0" CANOPY: B
 REF.:



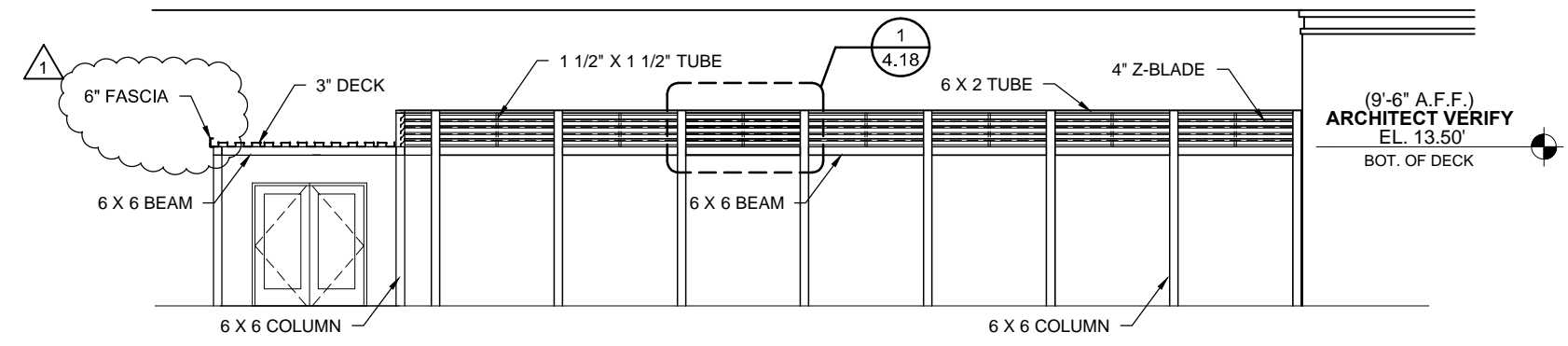
3 ELEVATION
 2.01 SCALE: 3/32"=1'-0" CANOPY: C
 REF.: 1/A605



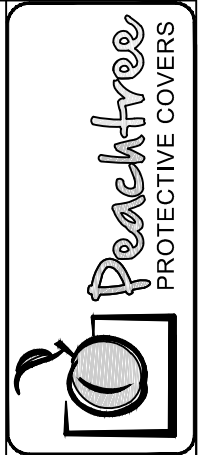
1 ELEVATION
 2.02 SCALE: 3/32"=1'-0" CANOPY: D
 REF.: 1/A605 & SUP 9



2 ELEVATION
 2.02 SCALE: 3/32"=1'-0" CANOPIES: E & F
 REF.: 1/A605



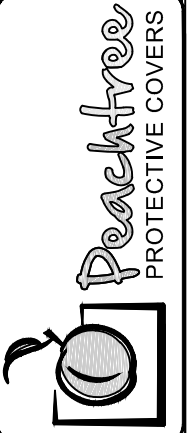
3 ELEVATION
 2.02 SCALE: 3/32"=1'-0" CANOPIES: E & F
 REF.: 2/A607



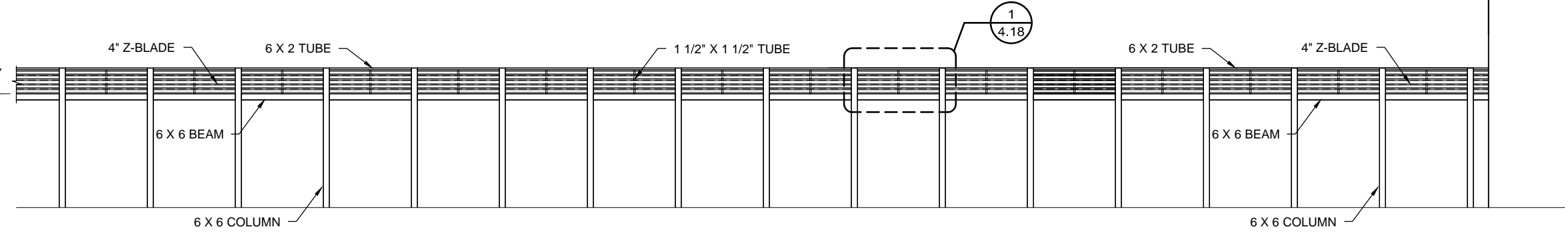
DWG. BY	RH
SUBJECT	2ND SUBMITTAL
DATE	4/17/14
REV.	1

PROJECT: ACADEMY OF OUR LADY NEW HIGH SCHOOL
 CUSTOMER: CITADEL BUILDERS, LLC
 ARCHITECT: BURGDAHL & GRAVES, AIA
 LOCATION: MARRERO, LA

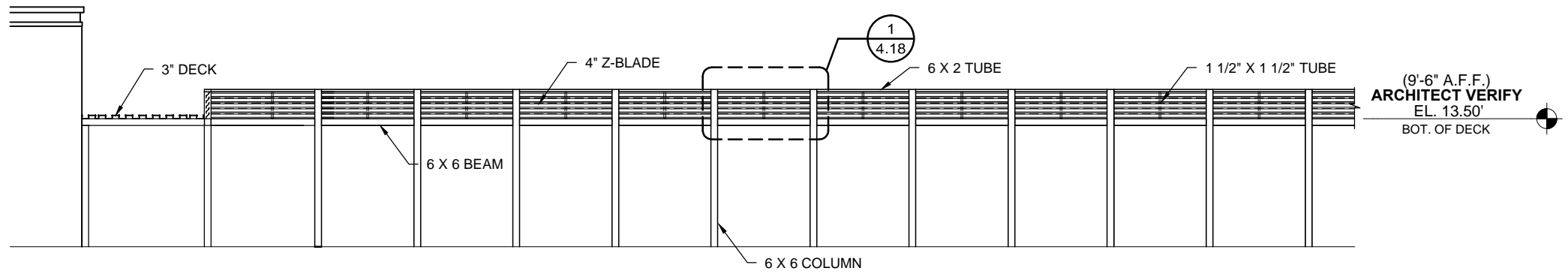
DATE:	7/26/13
DWN. BY:	RH
CHKD. BY:	RW
DRAWING NO.:	2.02
PPC JOB NO.:	5610



(9'-6" A.F.F.)
ARCHITECT VERIFY
 EL. 13.50'
 BOT. OF DECK



1 ELEVATION
 2.03 SCALE: 3/32"=1'-0" CANOPY: K
 REF.:

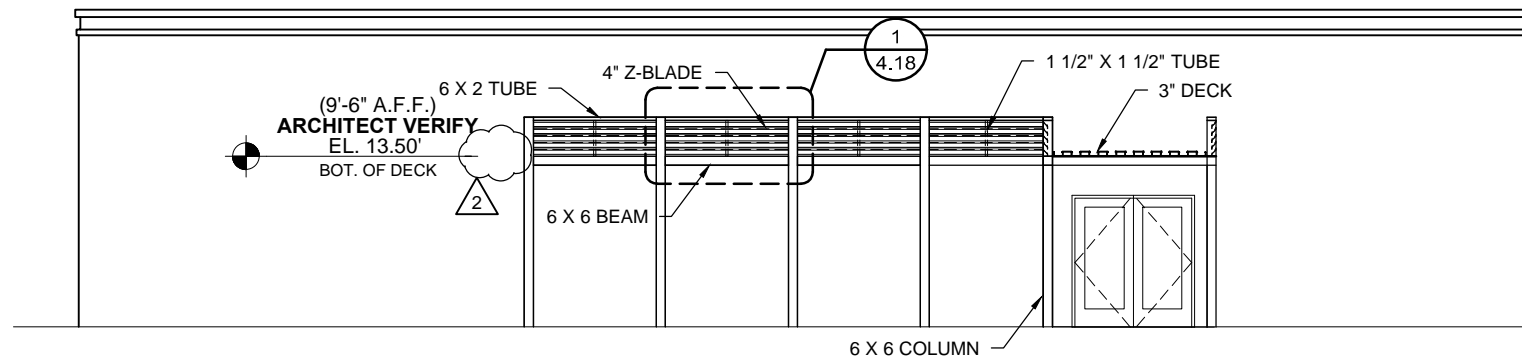


2 ELEVATION
 2.03 SCALE: 3/32"=1'-0" CANOPIES: K & L
 REF.:

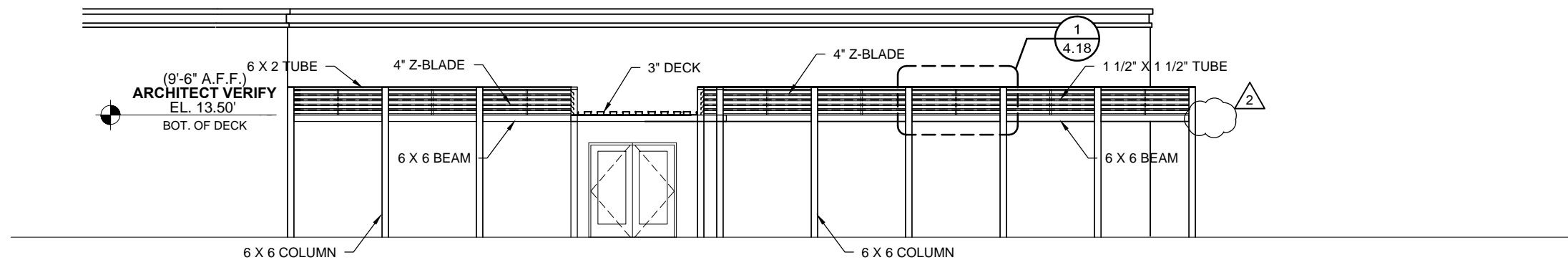
DWG. BY	SUBJECT
DATE	REV.

PROJECT: **ACADEMY OF OUR LADY NEW HIGH SCHOOL**
 CUSTOMER: **CITADEL BUILDERS, LLC**
 ARCHITECT: **BURGDahl & GRAVES, AIA**
 LOCATION: **MARRERO, LA**

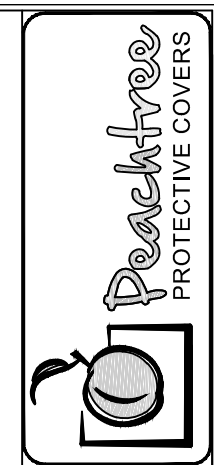
DATE:	7/26/13
DWN. BY:	RH
CHKD. BY:	RW
DRAWING NO.:	2.03
PPC JOB NO.:	5610



1 ELEVATION
2.04 SCALE: 3/32"=1'-0" CANOPY: J
REF.:



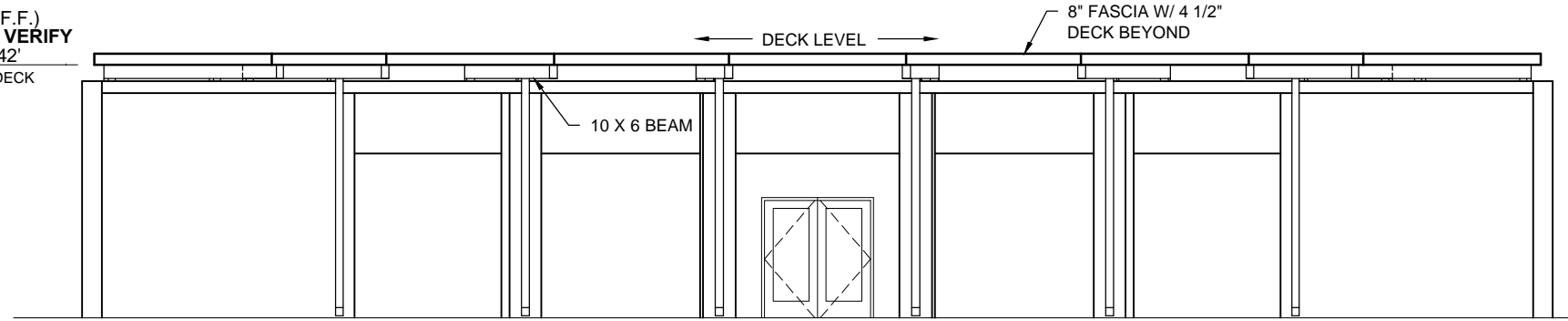
2 ELEVATION
2.04 SCALE: 3/32"=1'-0" CANOPIES: K & L
REF.: 2/A607



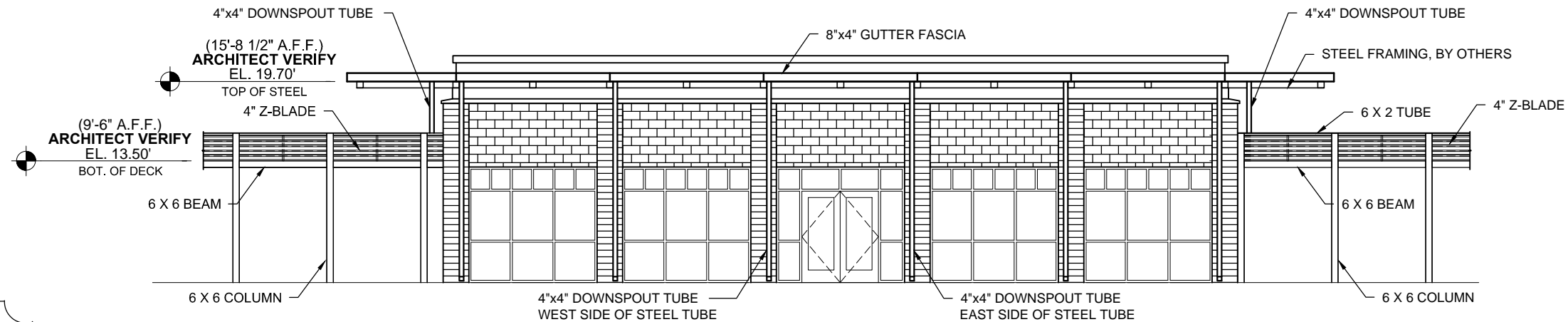
DWG. BY	RH
REV.	2
DATE	7/2/14
SUBJECT	INITIAL F & F

PROJECT:	ACADEMY OF OUR LADY NEW HIGH SCHOOL
CUSTOMER:	CITADEL BUILDERS, LLC
ARCHITECT:	BURGDahl & GRAVES, AIA
LOCATION:	MARRERO, LA
DATE:	7/26/13
DWN. BY:	RH
CHKD. BY:	RW
DRAWING NO.:	2.04
PPC JOB NO.:	5610

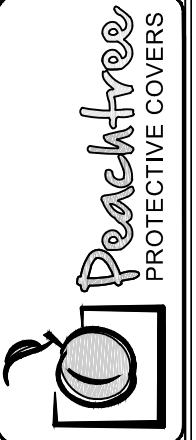
(15'-5" A.F.F.)
ARCHITECT VERIFY
 EL. 19.42'
 BOT. OF DECK



1 ELEVATION
 2.05 SCALE: 3/32"=1'-0" CANOPY: M
 REF.: 8/A601 (SIM)



2 ELEVATION
 2.05 SCALE: 3/32"=1'-0" CANOPY: R
 REF.: 1/ASK039



DWG. BY	RH
SUBJECT	2ND SUBMITTAL
DATE	4/17/14
REV.	1

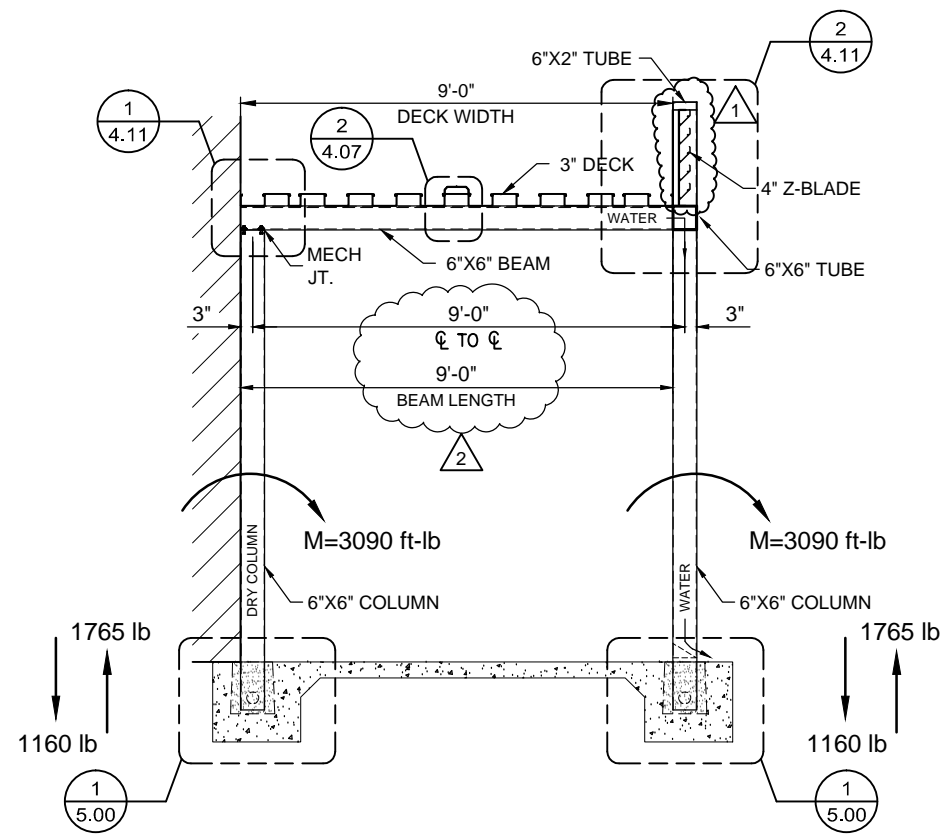
PROJECT: ACADEMY OF OUR LADY NEW HIGH SCHOOL
 CUSTOMER: CITADEL BUILDERS, LLC
 ARCHITECT: BURGDAHL & GRAVES, AIA
 LOCATION: MARRERO, LA

DATE:	7/26/13
DWN. BY:	RH
CHKD. BY:	RW
DRAWING NO.:	2.05
PPC JOB NO.:	5610

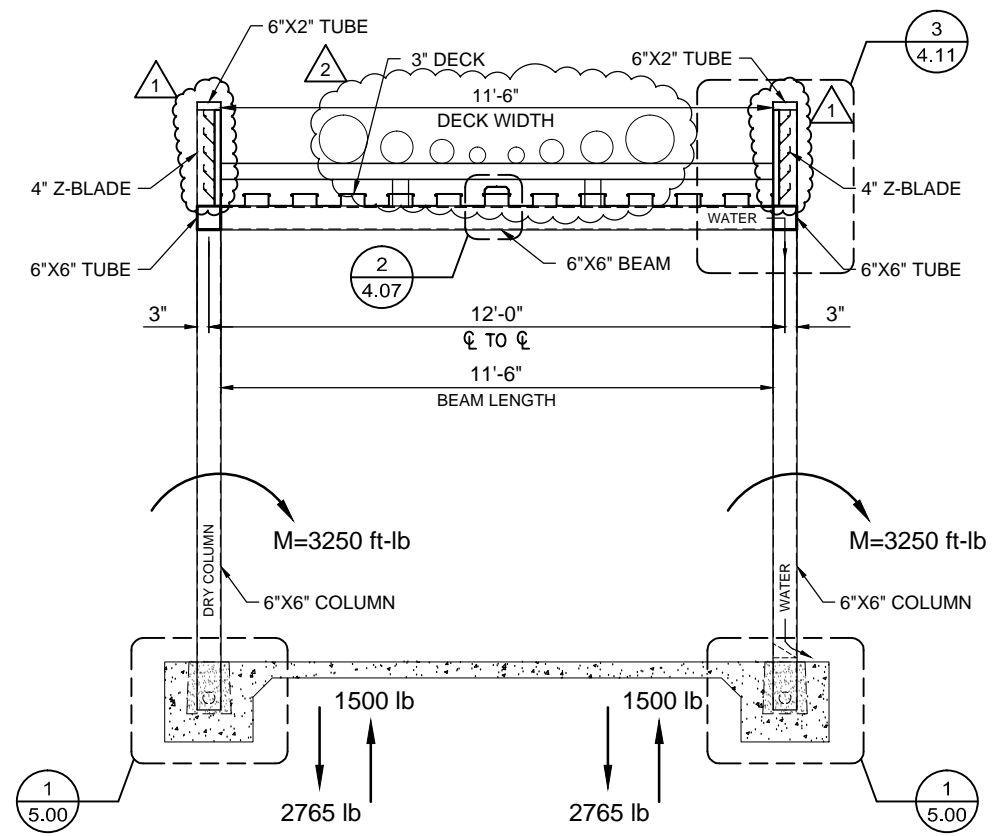
DWG. BY:	RH
REV.:	1
DATE:	4/17/14
SUBJECT:	2ND SUBMITTAL
REV.:	2
DATE:	7/2/14
SUBJECT:	INITIAL F&F
REV.:	4
DATE:	10/2/14
SUBJECT:	AS BUILT

PROJECT: ACADEMY OF OUR LADY NEW HIGH SCHOOL
 CUSTOMER: CITADEL BUILDERS, LLC
 ARCHITECT: BURGDahl & GRAVES, AIA
 LOCATION: MARRERO, LA

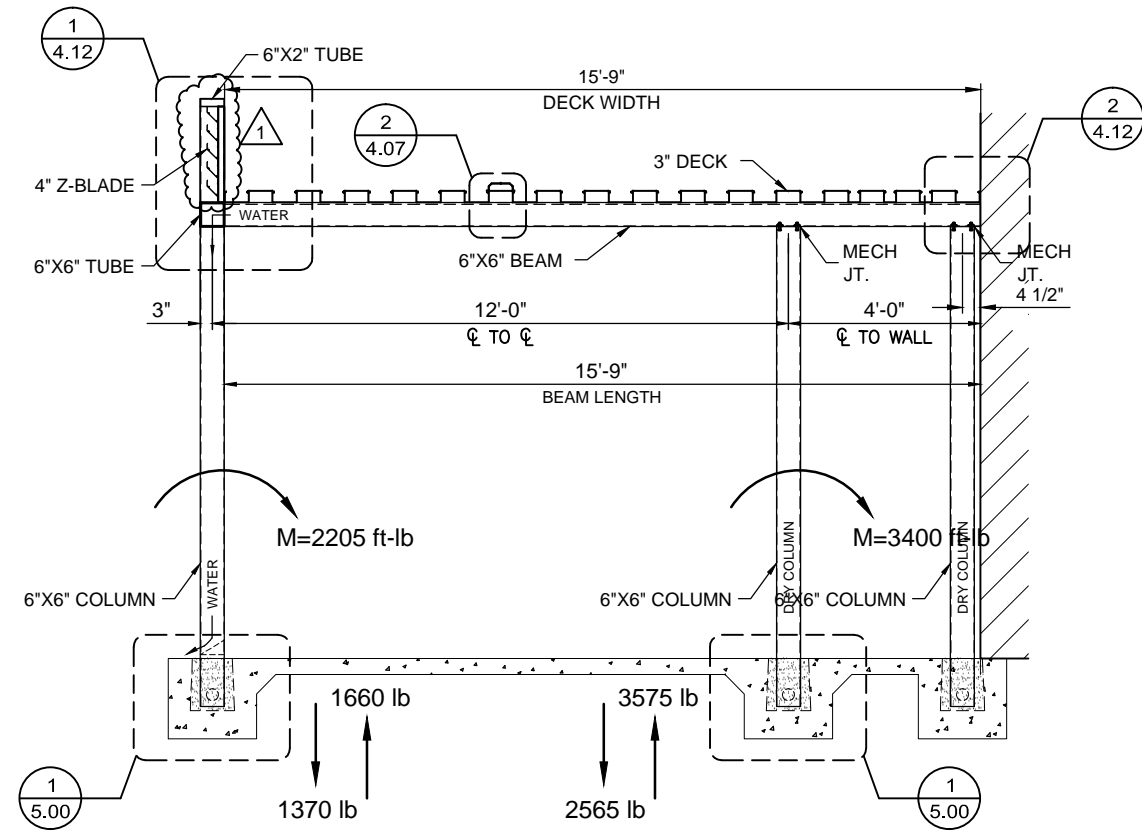
DATE:	7/26/13
DWN. BY:	RH
CHKD. BY:	RW
DRAWING NO.:	3.00
PPC JOB NO.:	5610



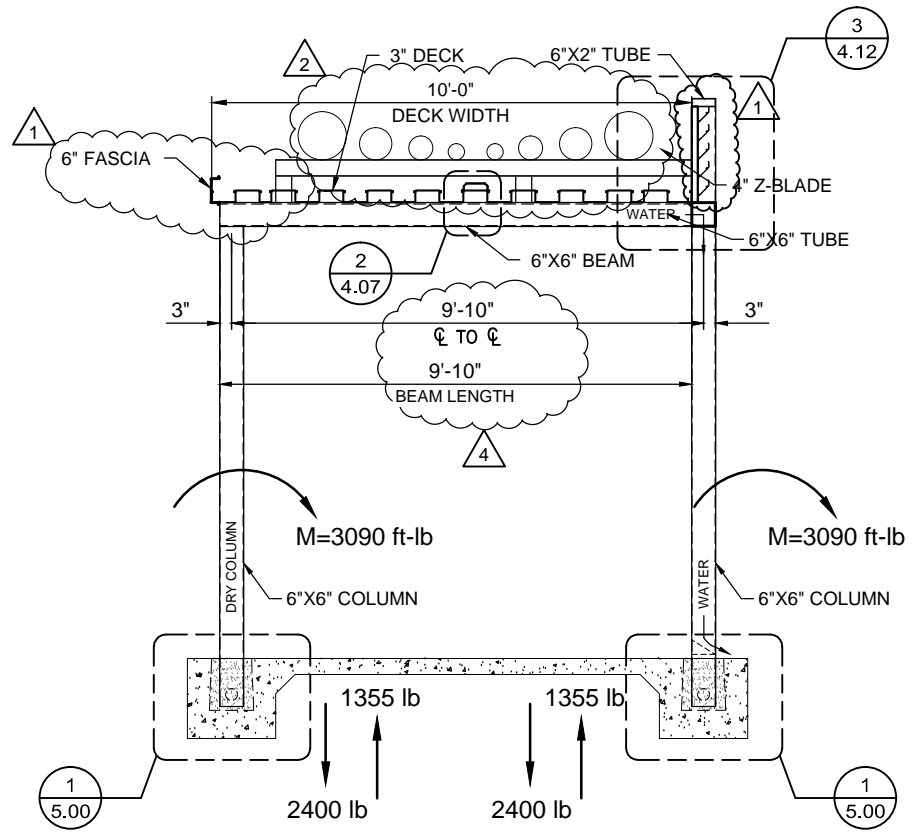
1 CANOPY SECTION
 3.00 SCALE: 1/4"=1'-0" CANOPY:A
 REF.:



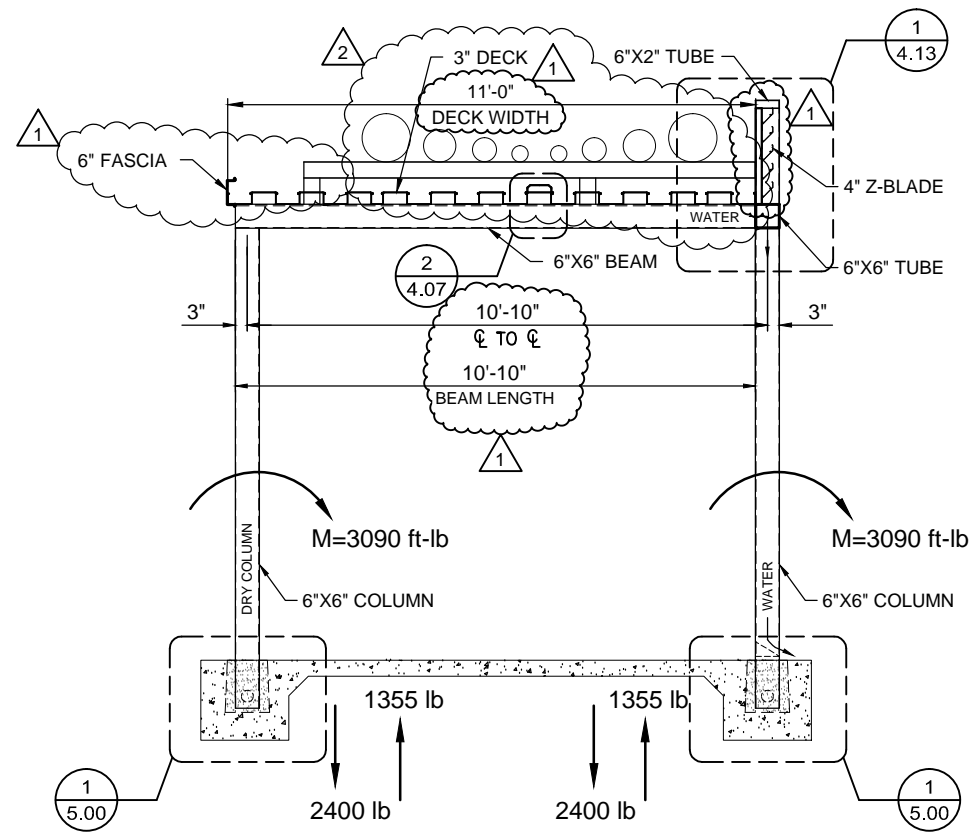
2 CANOPY SECTION
 3.00 SCALE: 1/4"=1'-0" CANOPY:B
 REF.:



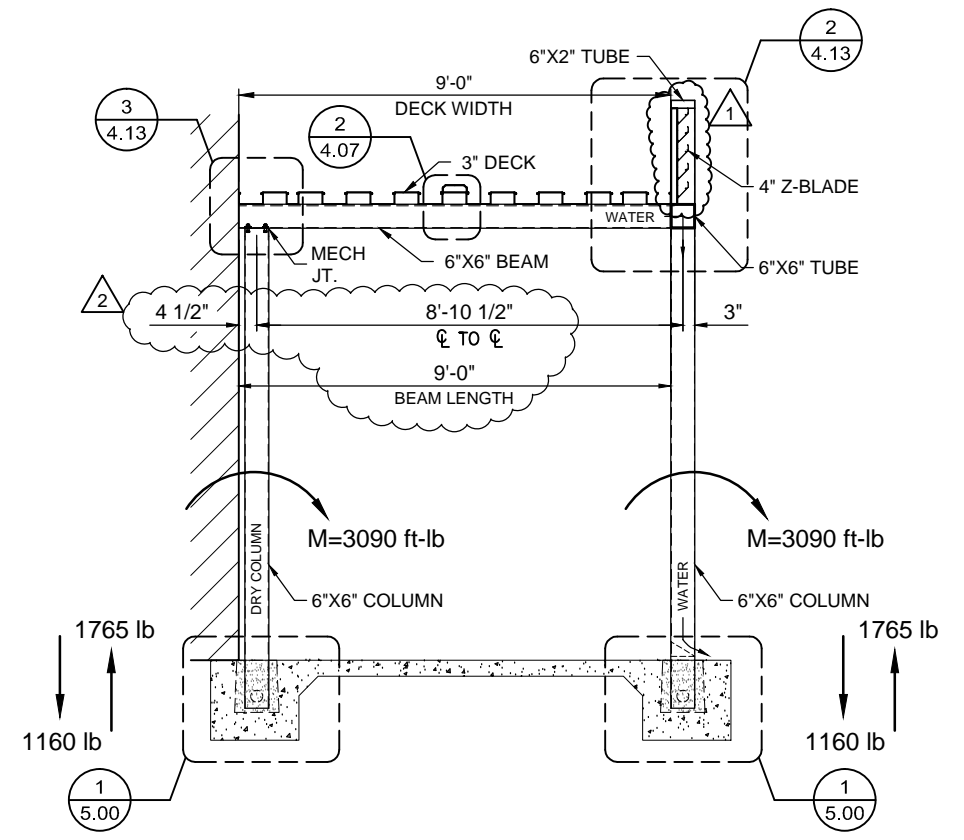
3 CANOPY SECTION
 3.00 SCALE: 1/4"=1'-0" CANOPY:B
 REF.:



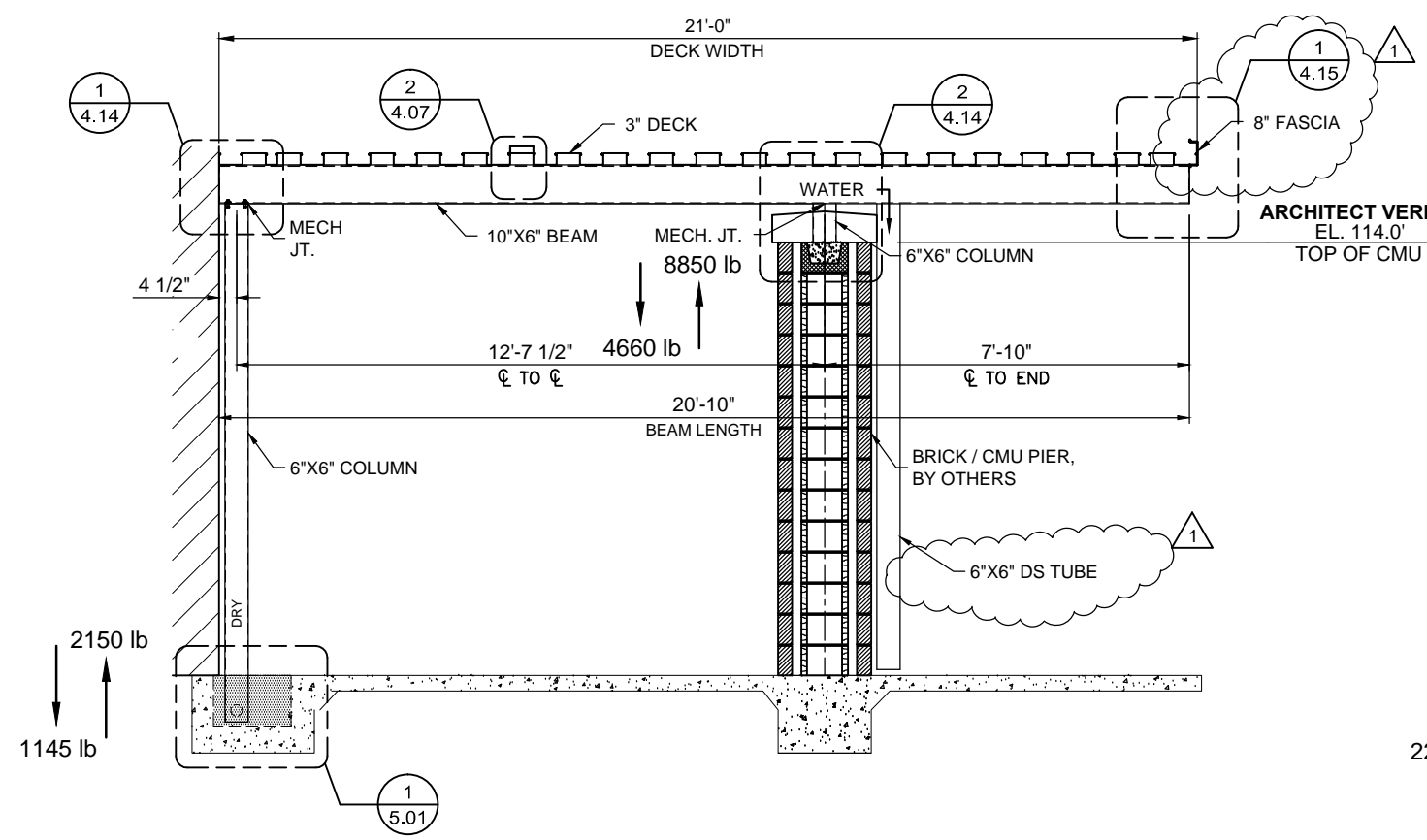
4 CANOPY SECTION
 3.00 SCALE: 1/4"=1'-0" CANOPY:B
 REF.:



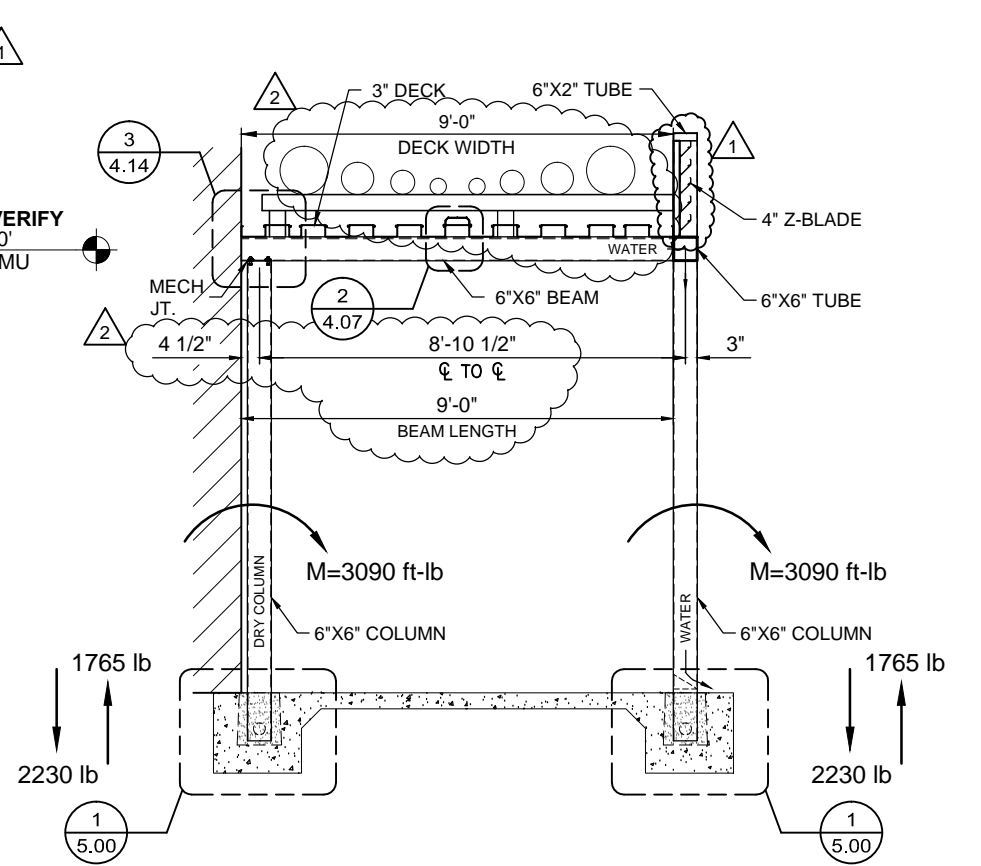
1 CANOPY SECTION
3.01 SCALE: 1/4"=1'-0" CANOPY:C
REF.:



2 CANOPY SECTION
3.01 SCALE: 1/4"=1'-0" CANOPY:C
REF.:



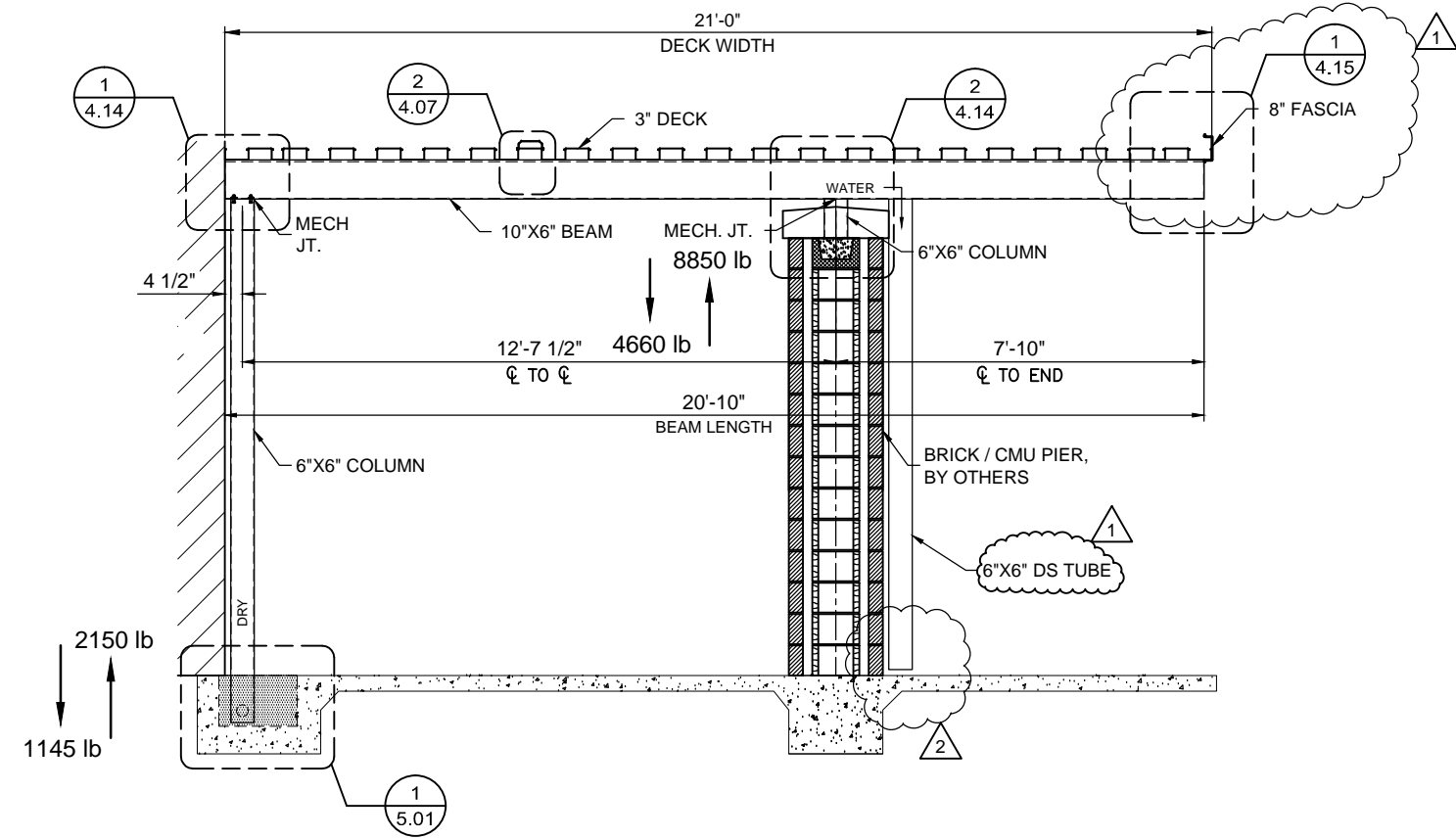
3 CANOPY SECTION
3.01 SCALE: 1/4"=1'-0" CANOPY:D
REF.: 2/A613 & SUP 8



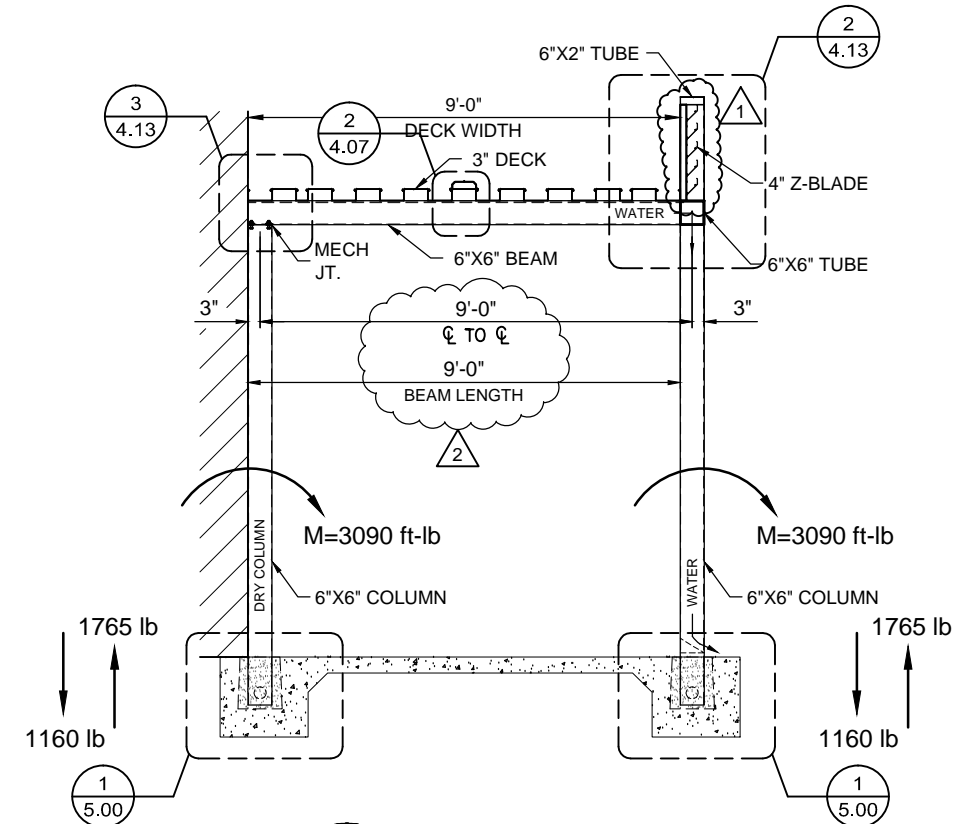
4 CANOPY SECTION
3.01 SCALE: 1/4"=1'-0" CANOPY:E
REF.:

DWG. BY	RH
DATE	4/17/14
SUBJECT	2ND SUBMITTAL
REV.	1
DATE	6/24/14
SUBJECT	INITIAL F & F
REV.	2

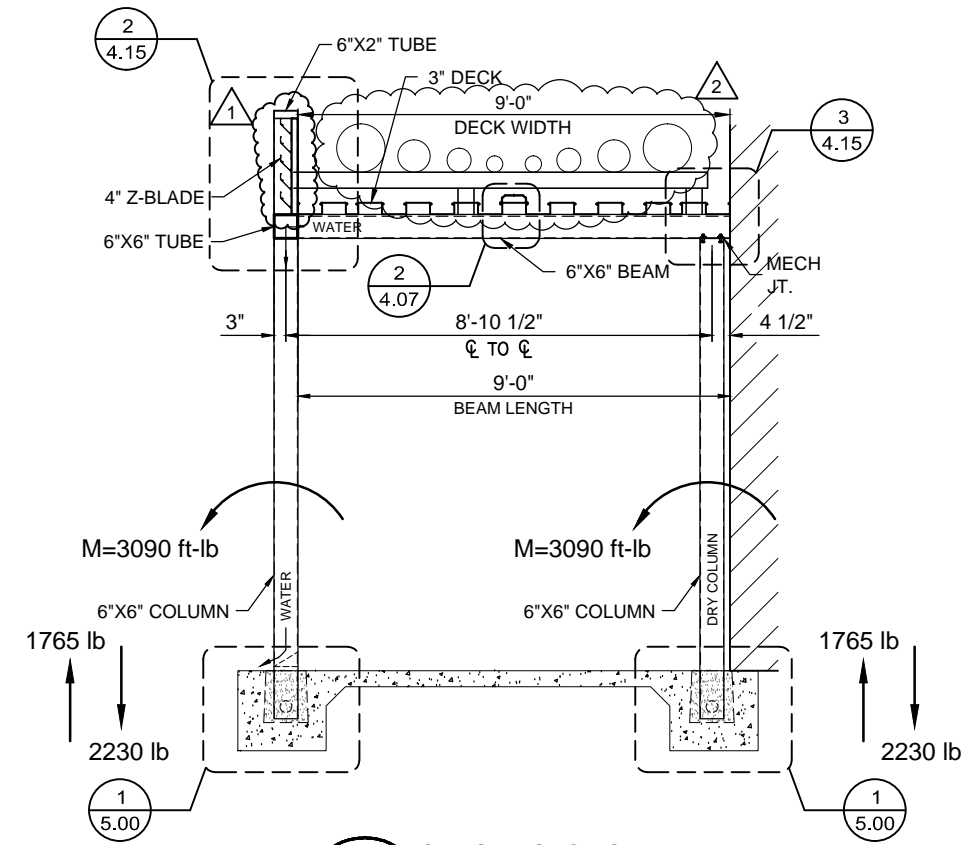
PROJECT	ACADEMY OF OUR LADY NEW HIGH SCHOOL
CUSTOMER	CITADEL BUILDERS, LLC
ARCHITECT	BURGDahl & GRAVES, AIA
LOCATION	MARRERO, LA
DATE	7/26/13
DWN. BY	RH
CHKD. BY	RW
DRAWING NO.	3.01
PPC JOB NO.	5610



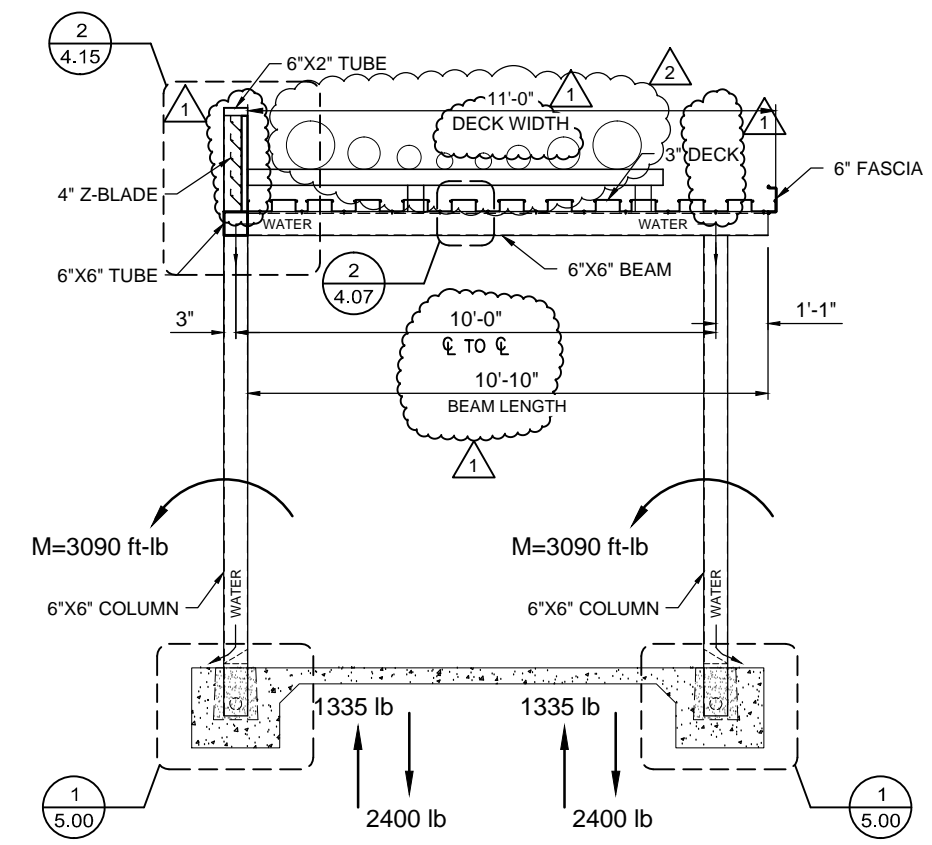
1
3.02 CANOPY SECTION
SCALE: 1/4"=1'-0" CANOPY:D
REF.:



2
3.02 CANOPY SECTION
SCALE: 1/4"=1'-0" CANOPY:F
REF.:



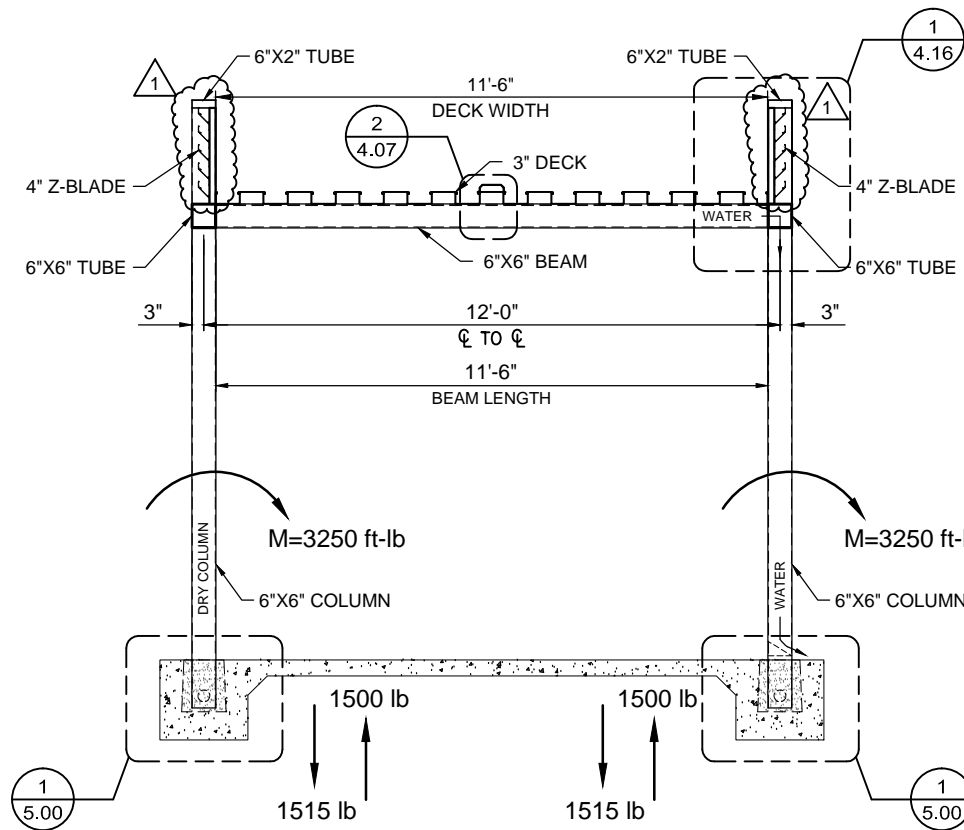
3
3.02 CANOPY SECTION
SCALE: 1/4"=1'-0" CANOPY:G
REF.:



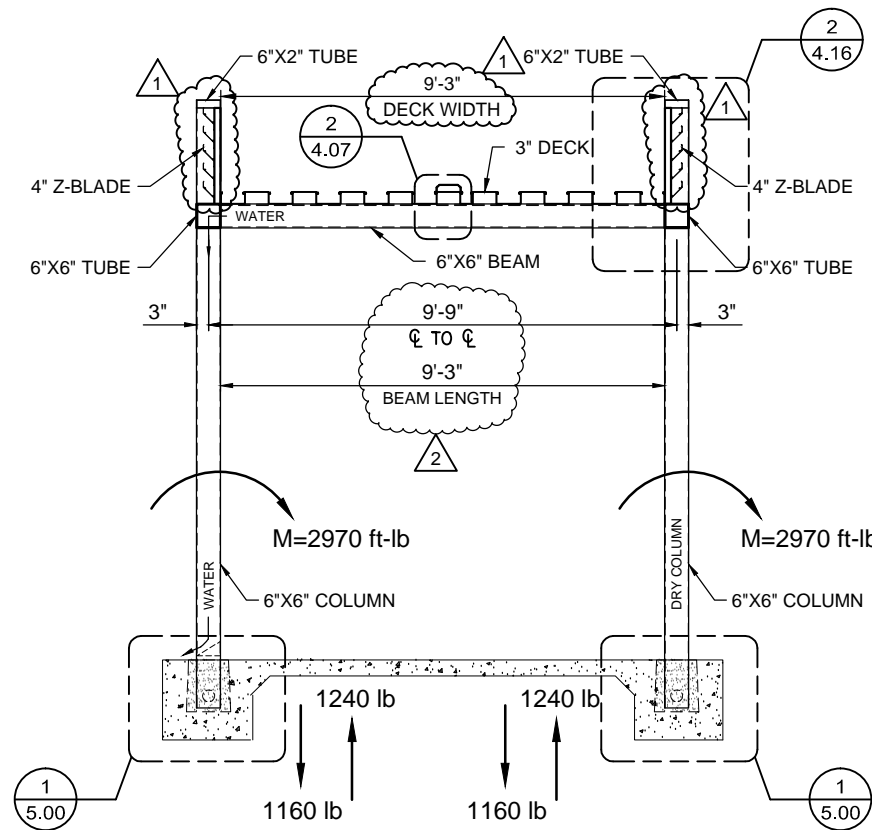
4
3.02 CANOPY SECTION
SCALE: 1/4"=1'-0" CANOPY:E
REF.:

DWG. BY	RH
DATE	4/17/14
SUBJECT	2ND SUBMITTAL
REV.	1
REV.	2
REV.	3
REV.	4
REV.	5
REV.	6
REV.	7
REV.	8
REV.	9
REV.	10
REV.	11
REV.	12
REV.	13
REV.	14
REV.	15
REV.	16
REV.	17
REV.	18
REV.	19
REV.	20
REV.	21
REV.	22
REV.	23
REV.	24
REV.	25
REV.	26
REV.	27
REV.	28
REV.	29
REV.	30
REV.	31
REV.	32
REV.	33
REV.	34
REV.	35
REV.	36
REV.	37
REV.	38
REV.	39
REV.	40
REV.	41
REV.	42
REV.	43
REV.	44
REV.	45
REV.	46
REV.	47
REV.	48
REV.	49
REV.	50
REV.	51
REV.	52
REV.	53
REV.	54
REV.	55
REV.	56
REV.	57
REV.	58
REV.	59
REV.	60
REV.	61
REV.	62
REV.	63
REV.	64
REV.	65
REV.	66
REV.	67
REV.	68
REV.	69
REV.	70
REV.	71
REV.	72
REV.	73
REV.	74
REV.	75
REV.	76
REV.	77
REV.	78
REV.	79
REV.	80
REV.	81
REV.	82
REV.	83
REV.	84
REV.	85
REV.	86
REV.	87
REV.	88
REV.	89
REV.	90
REV.	91
REV.	92
REV.	93
REV.	94
REV.	95
REV.	96
REV.	97
REV.	98
REV.	99
REV.	100

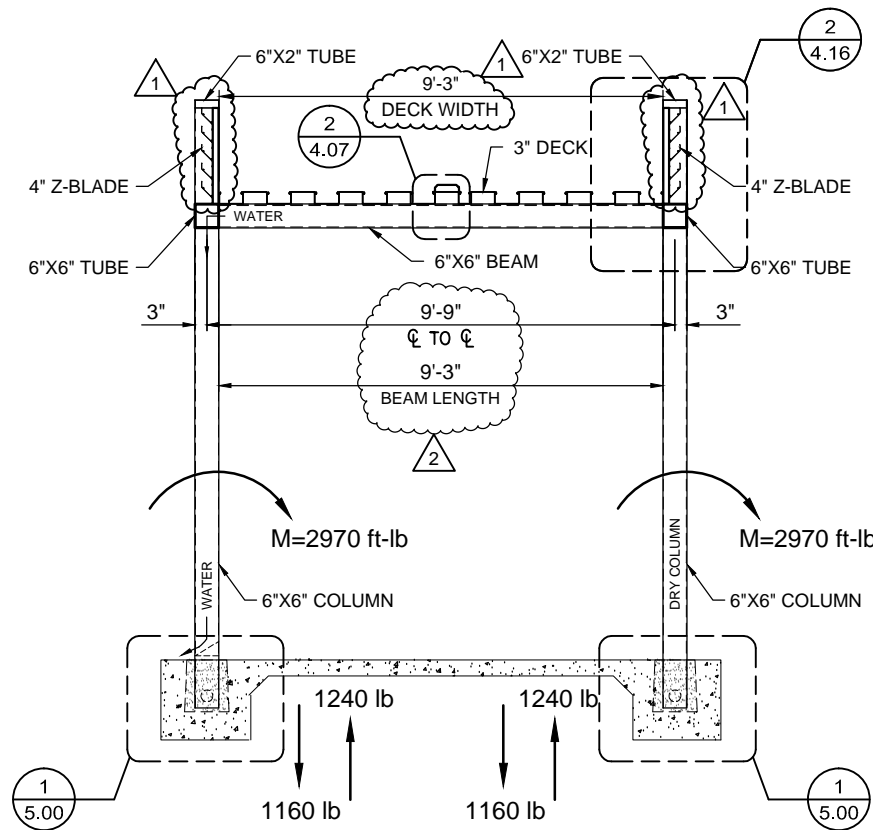
PROJECT:	ACADEMY OF OUR LADY NEW HIGH SCHOOL
CUSTOMER:	CITADEL BUILDERS, LLC
ARCHITECT:	BURGDahl & GRAVES, AIA
LOCATION:	MARRERO, LA
DATE:	7/26/13
DWN. BY:	RH
CHKD. BY:	RW
DRAWING NO.:	3.02
PPC JOB NO.:	5610



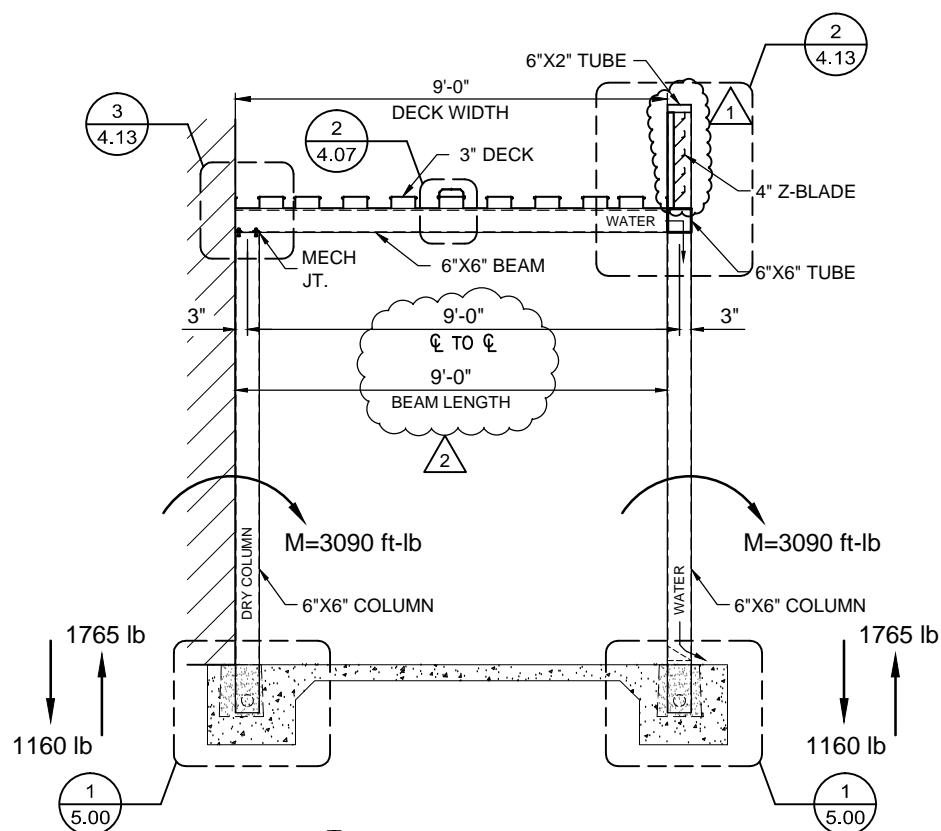
1 CANOPY SECTION
 3.03 SCALE: 1/4"=1'-0" CANOPIES: H, J & L
 REF.:



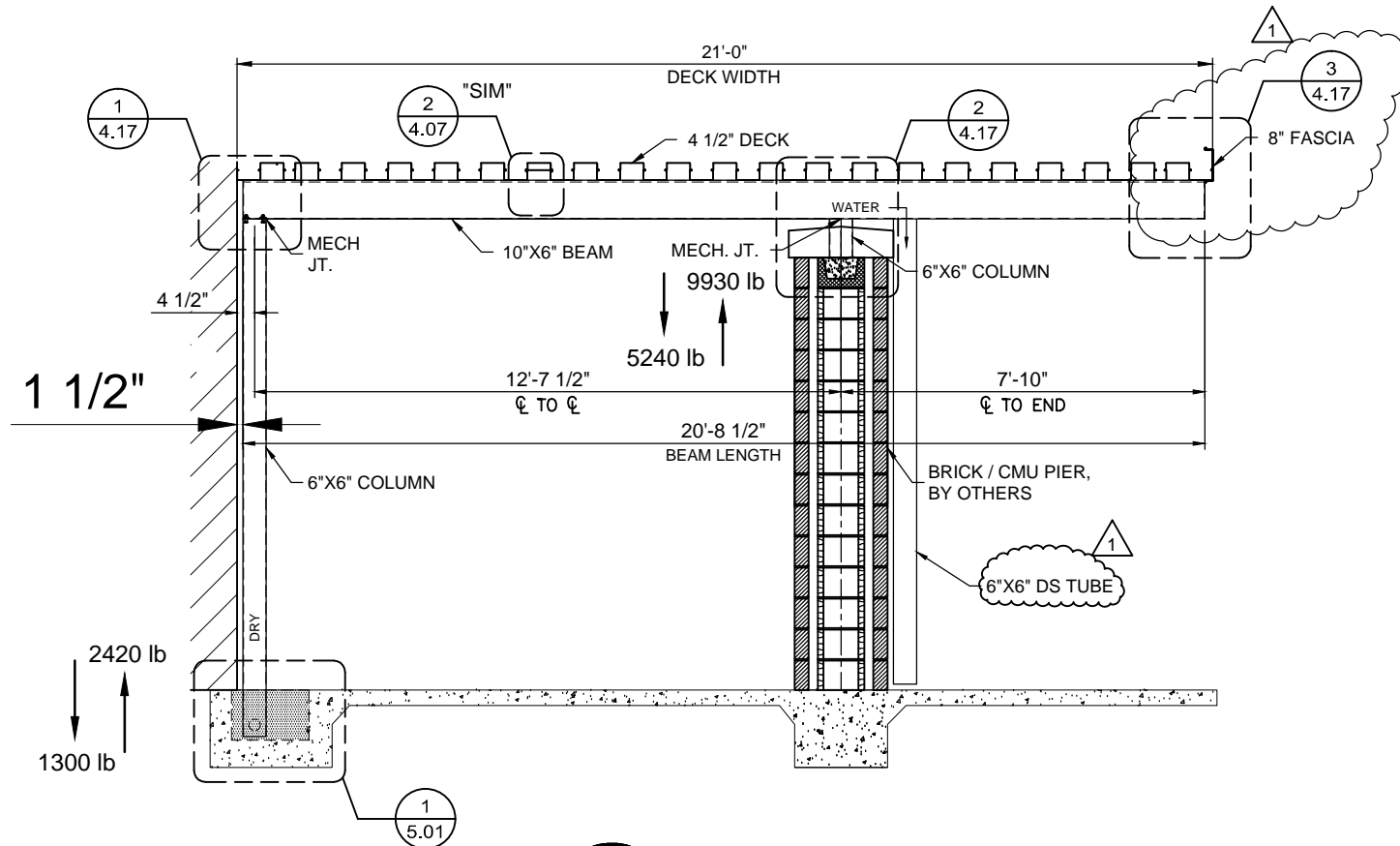
2 CANOPY SECTION
 3.03 SCALE: 1/4"=1'-0" CANOPY: K
 REF.:



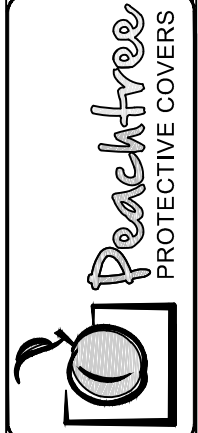
3 CANOPY SECTION
 3.03 SCALE: 1/4"=1'-0" CANOPY: K
 REF.:



4 CANOPY SECTION
 3.03 SCALE: 1/4"=1'-0" CANOPY: L
 REF.:



5 CANOPY SECTION
 3.03 SCALE: 1/4"=1'-0" CANOPY: M
 REF.:

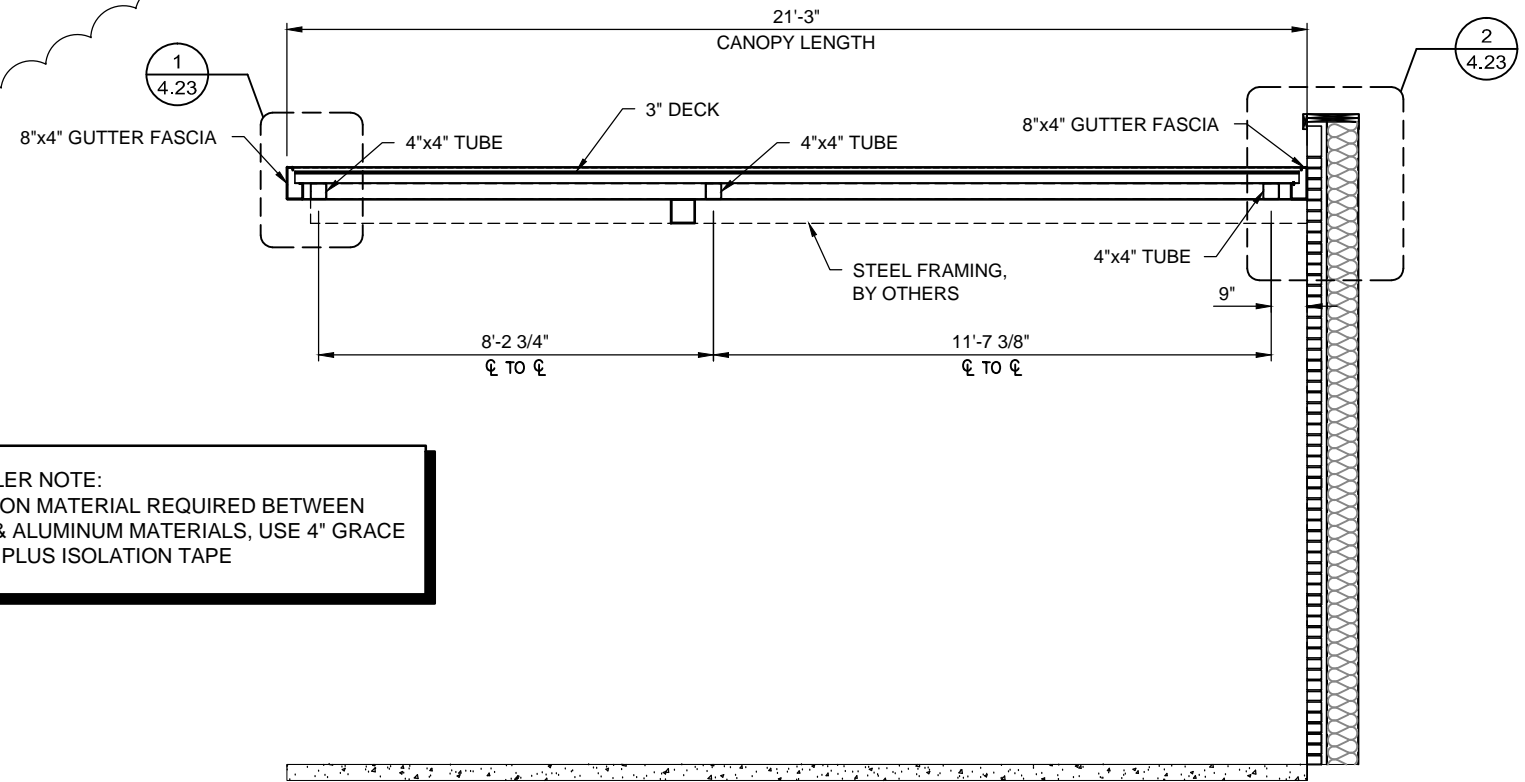


DWG. BY	RH
DATE	4/17/14
REV.	1
SUBJECT	2ND SUBMITTAL
DATE	7/2/17
REV.	2
SUBJECT	INITIAL F & F

PROJECT: ACADEMY OF OUR LADY NEW HIGH SCHOOL
 CUSTOMER: CITADEL BUILDERS, LLC
 ARCHITECT: BURGAHL & GRAVES, AIA
 LOCATION: MARRERO, LA

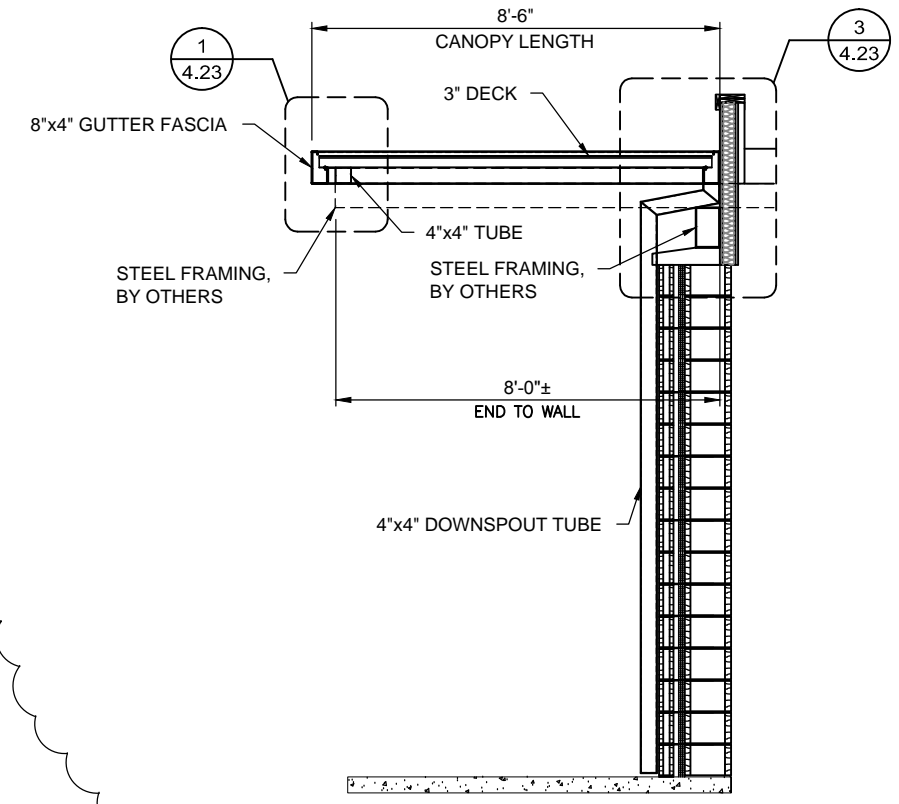
DATE:	7/26/13
DWN. BY:	RH
CHKD. BY:	RW
DRAWING NO.:	3.03
PPC JOB NO.:	5610

SCALE: 1/4"=1'-0"

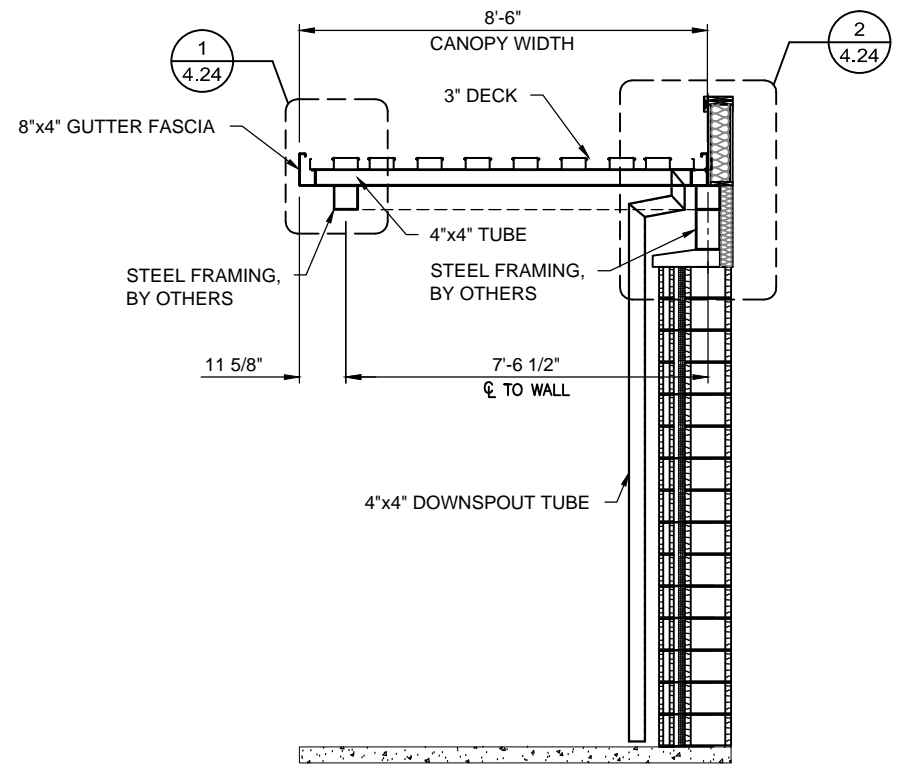


INSTALLER NOTE:
ISOLATION MATERIAL REQUIRED BETWEEN
STEEL & ALUMINUM MATERIALS, USE 4" GRACE
VYCOR PLUS ISOLATION TAPE

1
3.04 CANOPY SECTION
SCALE: 1/4"=1'-0" CANOPY: R
REF.: 1/ASK033



2
3.04 CANOPY SECTION
SCALE: 1/4"=1'-0" CANOPY: R
REF.: 2/ASK033

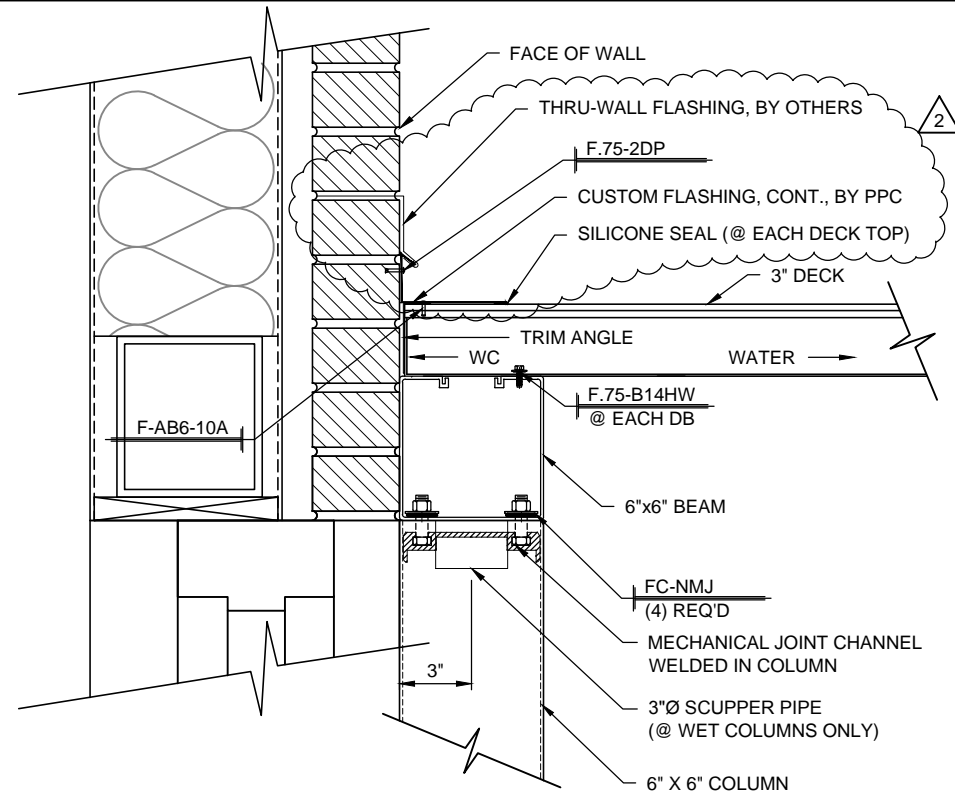


3
3.04 CANOPY SECTION
SCALE: 1/4"=1'-0" CANOPY: R
REF.: 3/ASK033

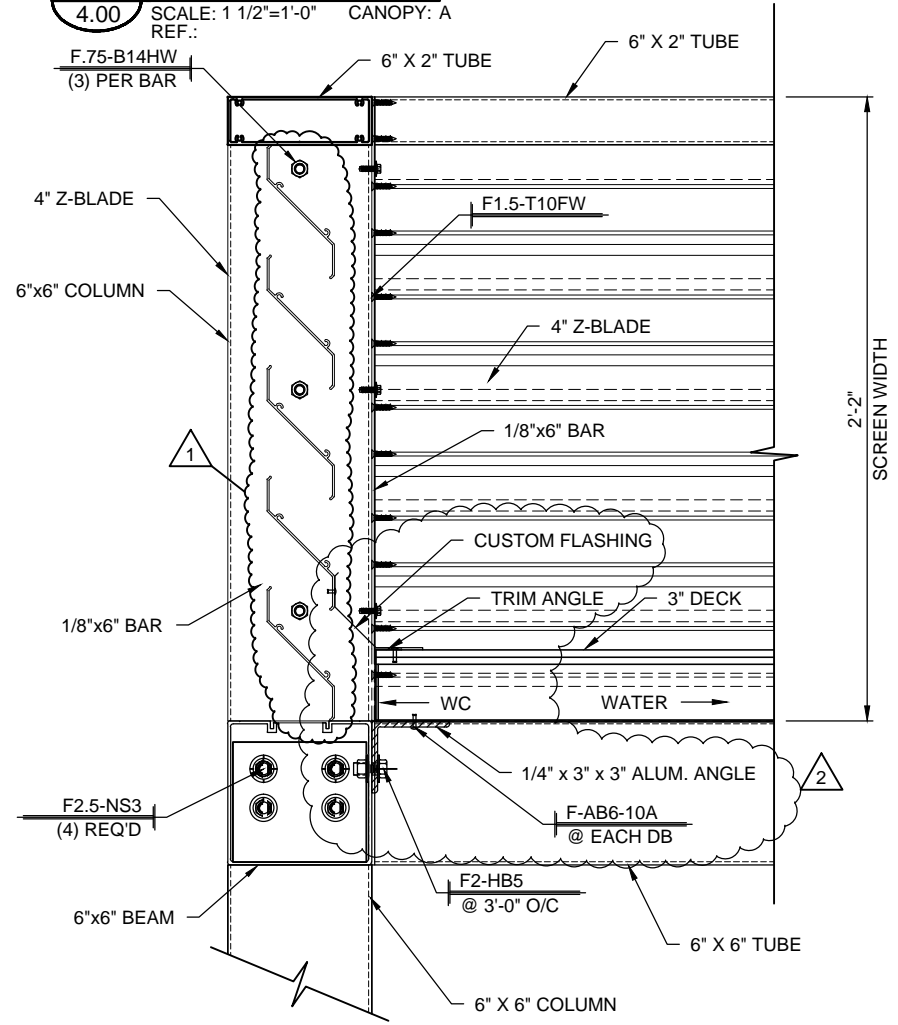
DWG. BY	RH
DATE	4/17/14
SUBJECT	2ND SUBMITTAL
REV.	1
REV.	2
DATE	7/2/14
SUBJECT	INITIAL F&F

PROJECT: ACADEMY OF OUR LADY NEW HIGH SCHOOL
 CUSTOMER: CITADEL BUILDERS, LLC
 ARCHITECT: BURGDAHL & GRAVES, AIA
 LOCATION: MARRERO, LA

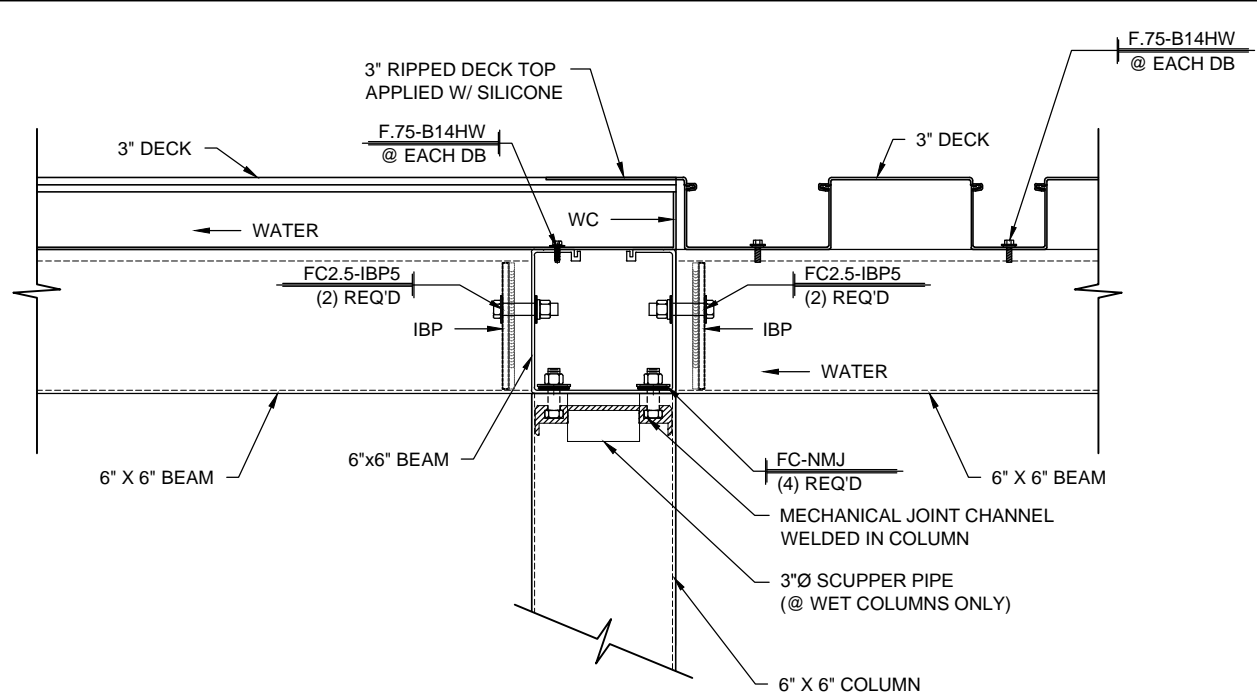
DATE:	7/26/13
DWN. BY:	RH
CHKD. BY:	RW
DRAWING NO.:	3.04
PPC JOB NO.:	5610



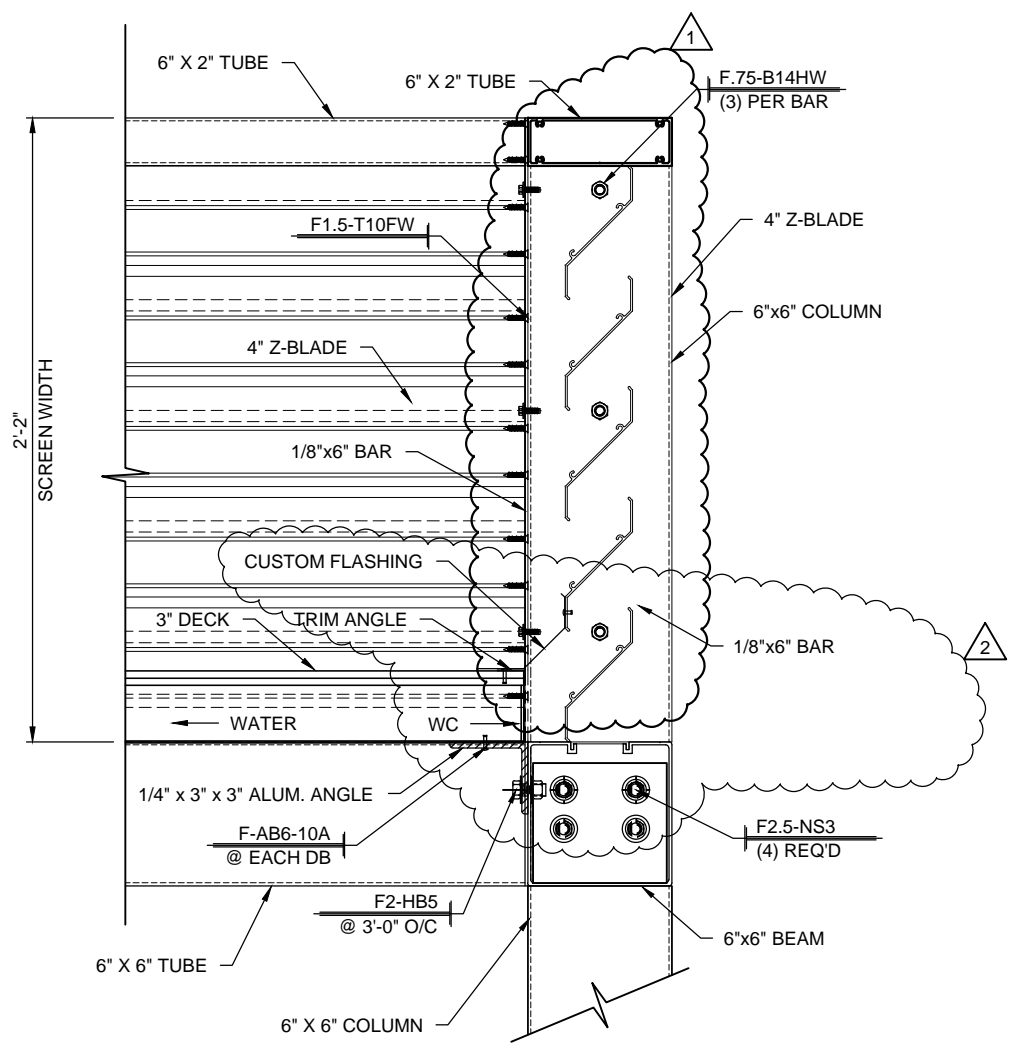
1
4.00 **CANOPY WALL CONNECTION**
SCALE: 1 1/2"=1'-0" CANOPY: A
REF.:



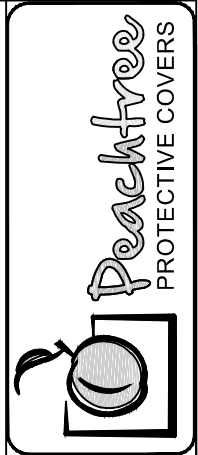
3
4.00 **CANOPY END SECTION**
SCALE: 1 1/2"=1'-0" CANOPY: B
REF.:



2
4.00 **CANOPY DECK INTERSECTION**
SCALE: 1 1/2"=1'-0" CANOPIES: A & B
REF.:



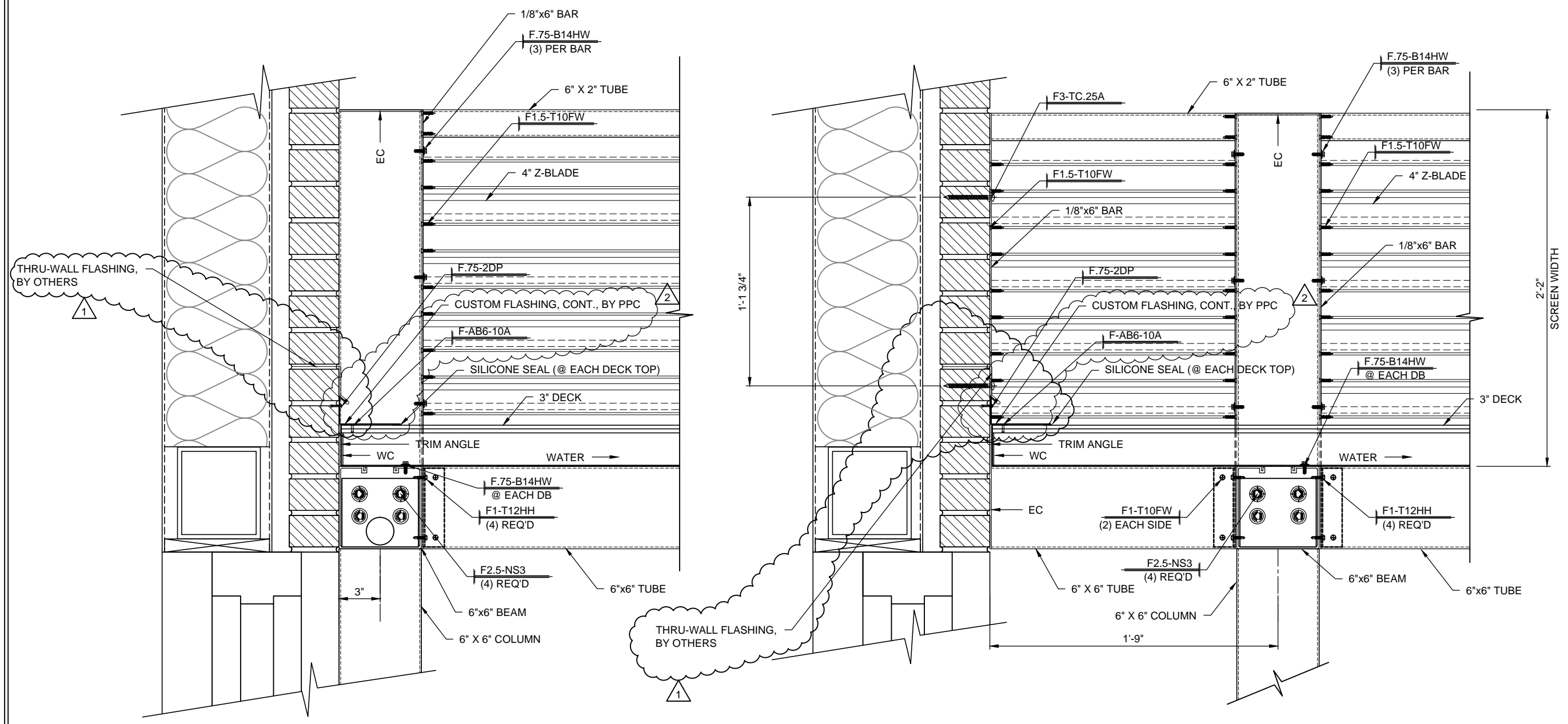
4
4.00 **CANOPY END SECTION**
SCALE: 1 1/2"=1'-0" CANOPY: B
REF.:



DWG. BY	RH
DATE	4/17/14
REV.	1
SUBJECT	2ND SUBMITTAL
INITIAL F & F	
DATE	7/2/14
REV.	2

PROJECT: ACADEMY OF OUR LADY NEW HIGH SCHOOL
 CUSTOMER: CITADEL BUILDERS, LLC
 ARCHITECT: BURGAHL & GRAVES, AIA
 LOCATION: MARRERO, LA

DATE:	7/26/13
DWN. BY:	RH
CHKD. BY:	RW
DRAWING NO.:	4.00
PPC JOB NO.:	5610



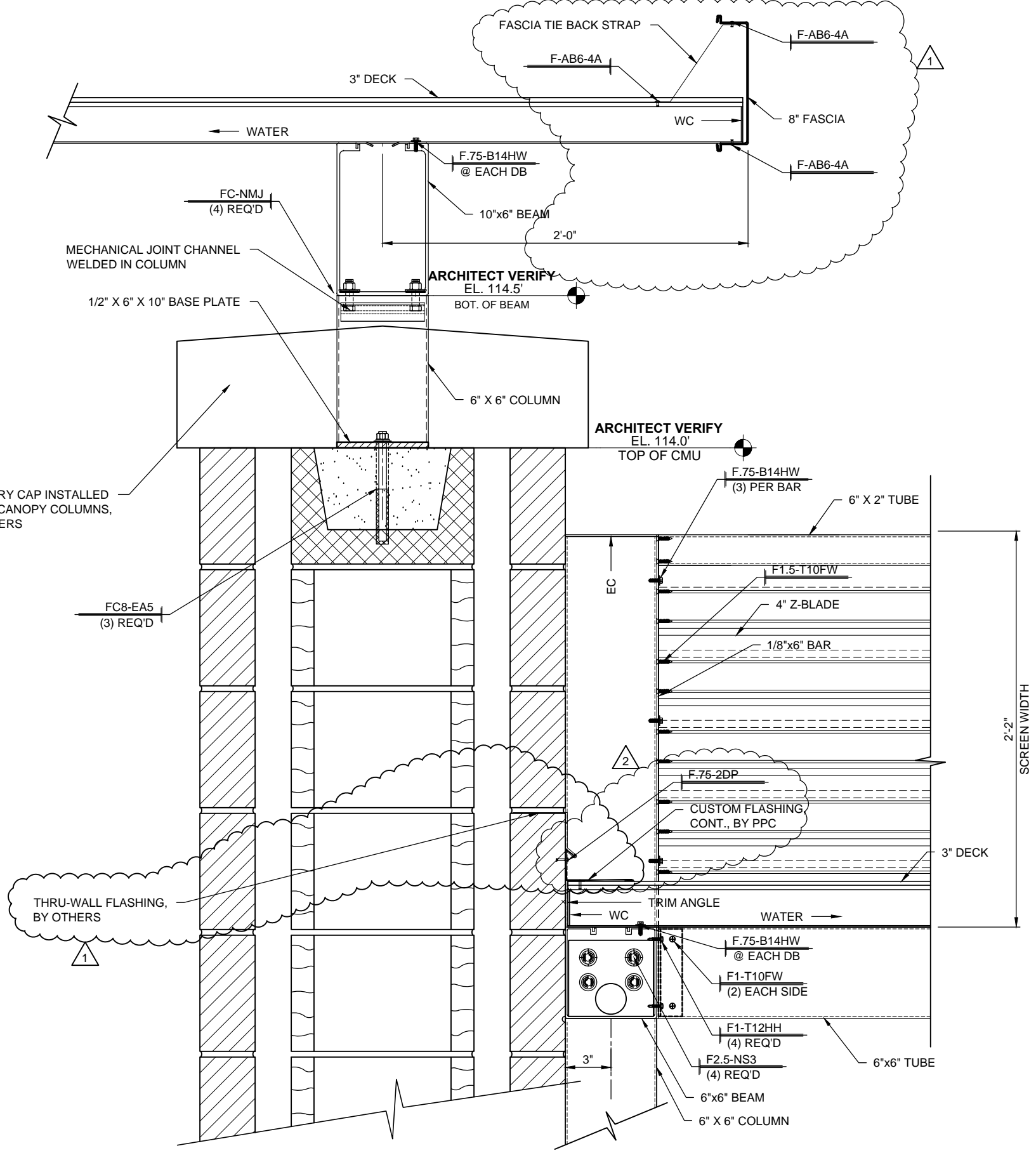
1
4.01 CANOPY WALL CONNECTION
SCALE: 1 1/2"=1'-0" CANOPY: B
REF.:

2
4.01 CANOPY WALL CONNECTION
SCALE: 1 1/2"=1'-0" CANOPY: C
REF.:

DWG. BY	RH
DATE	4/17/14
REV.	1
REV.	2
SUBJECT	2ND SUBMITTAL
SUBJECT	INITIAL F & F

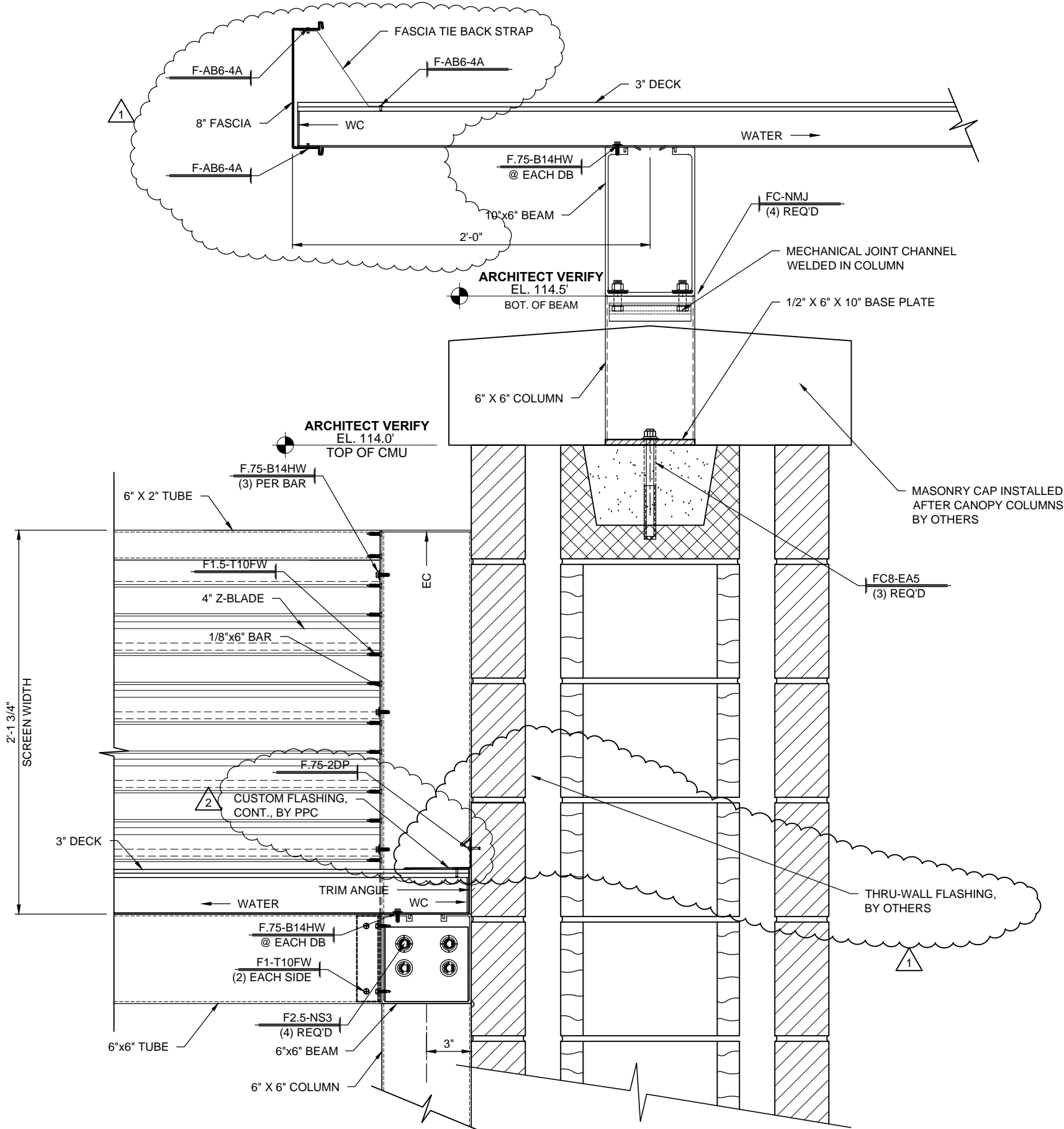
PROJECT: ACADEMY OF OUR LADY NEW HIGH SCHOOL
 CUSTOMER: CITADEL BUILDERS, LLC
 ARCHITECT: BURGDahl & GRAVES, AIA
 LOCATION: MARRERO, LA

DATE:	7/26/13
DWN. BY:	RH
CHKD. BY:	RW
DRAWING NO.:	4.01
PPC JOB NO.:	5610

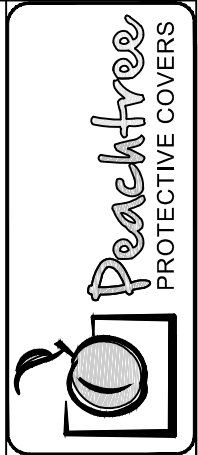


1 CANOPY STEP SECTION
4.02 SCALE: 1 1/2"=1'-0" CANOPIES: C & D
 REF.: 2/S305, 3/S305, 2/S309 & 3/S309

DWG. BY	RH	SUBJECT	2ND SUBMITTAL
REV.	1	DATE	4/17/14
	2	DATE	7/2/14
		INITIAL F & F	
PROJECT:	ACADEMY OF OUR LADY NEW HIGH SCHOOL		
CUSTOMER:	CITADEL BUILDERS, LLC		
ARCHITECT:	BURGDAHL & GRAVES, AIA		
LOCATION:	MARRERO, LA		
DATE:	7/26/13		
DWN. BY:	RH		
CHKD. BY:	RW		
DRAWING NO.:	4.02		
PPC JOB NO.:	5610		

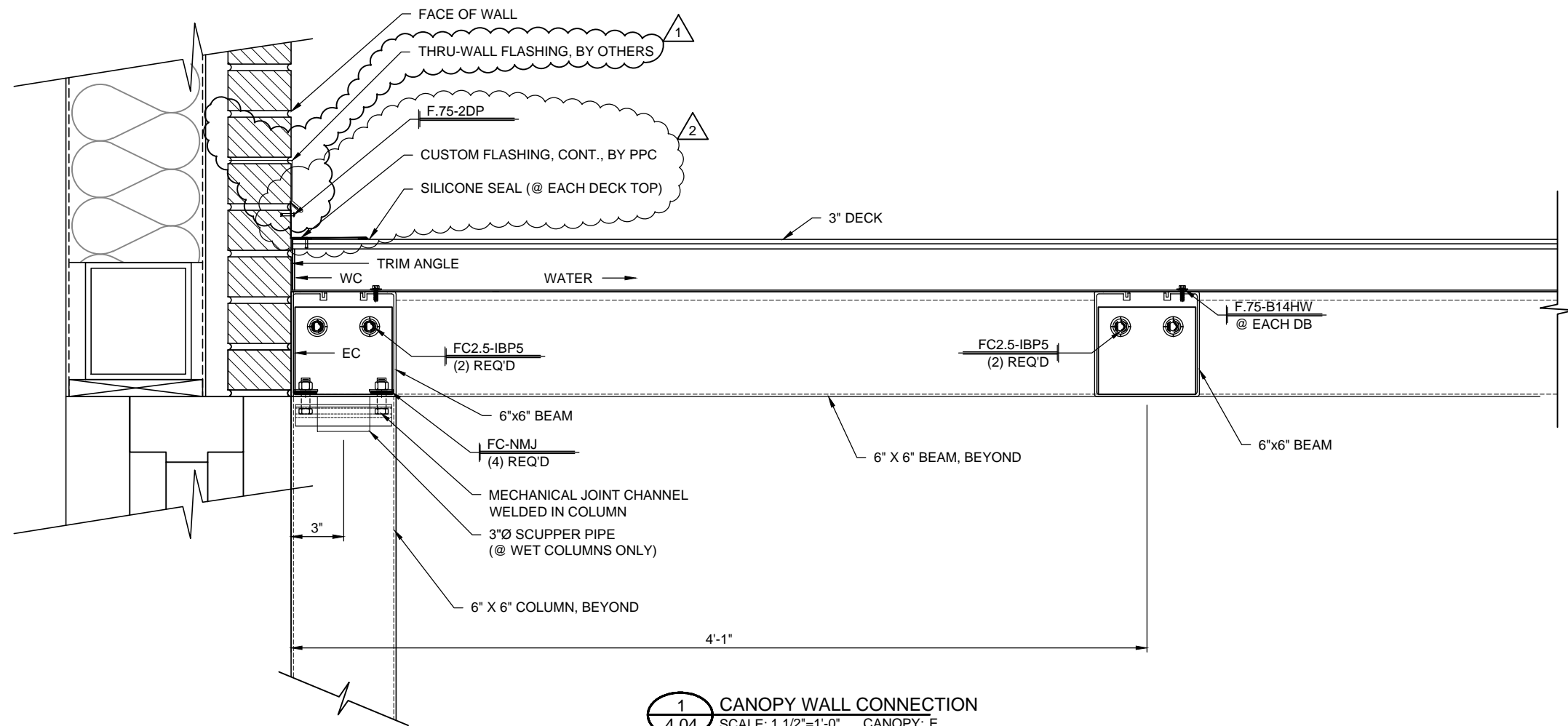


1
4.03 CANOPY STEP SECTION
 SCALE: 1 1/2"=1'-0" CANOPIES: D & E
 REF.: 2/S305, 3/S305, 2/S309 & 3/S309

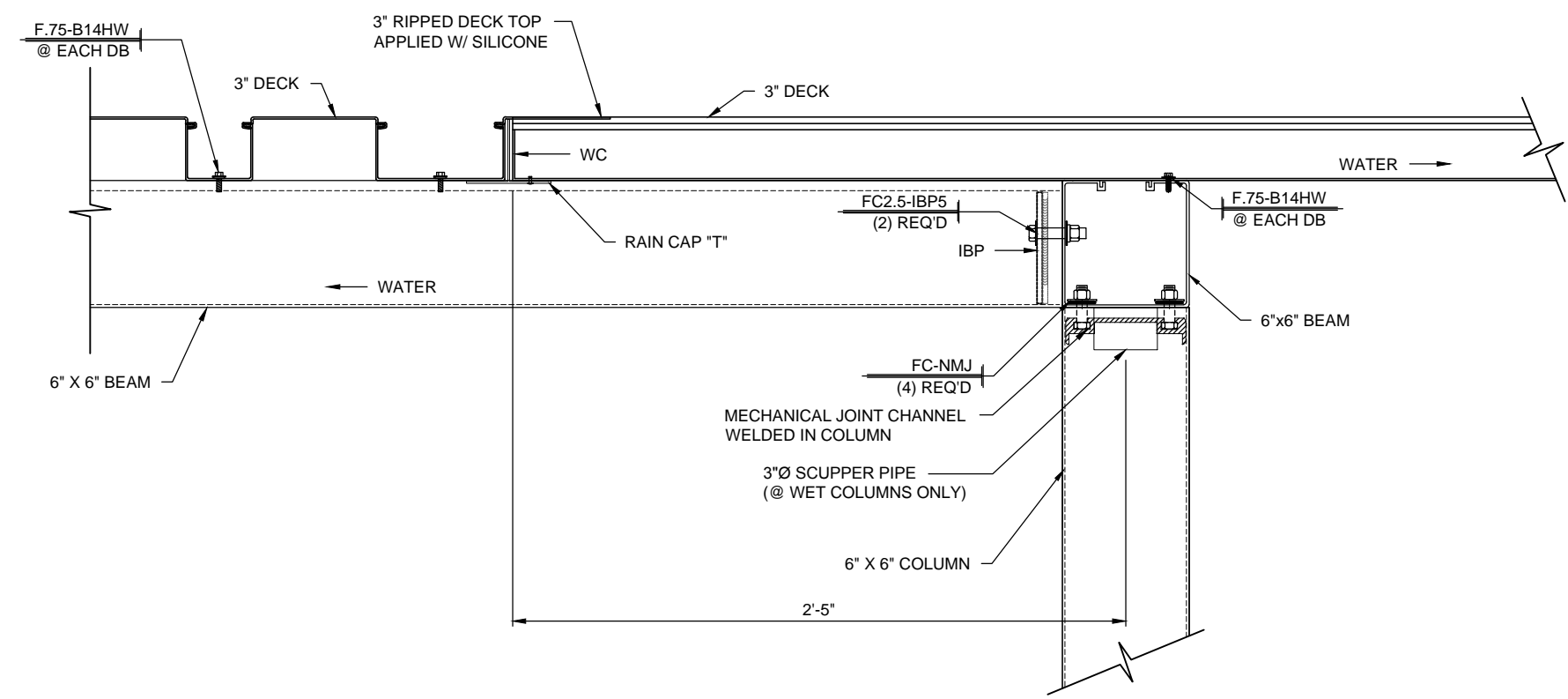


DWG. BY	RH
REV.	1
DATE	4/17/14
SUBJECT	2ND SUBMITTAL
REV.	2
DATE	7/2/14
SUBJECT	INITIAL F & F

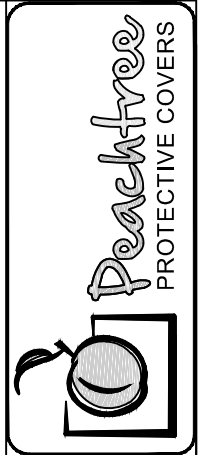
PROJECT:	ACADEMY OF OUR LADY NEW HIGH SCHOOL
CUSTOMER:	CITADEL BUILDERS, LLC
ARCHITECT:	BURGDahl & GRAVES, AIA
LOCATION:	MARRERO, LA
DATE:	7/26/13
DWN. BY:	RH
CHKD. BY:	RW
DRAWING NO.:	4.03
PPC JOB NO.:	5610



1
4.04 CANOPY WALL CONNECTION
SCALE: 1 1/2"=1'-0" CANOPY: E
REF.:



2
4.04 CANOPY INTERSECTION
SCALE: 1 1/2"=1'-0" CANOPIES: E & F
REF.:



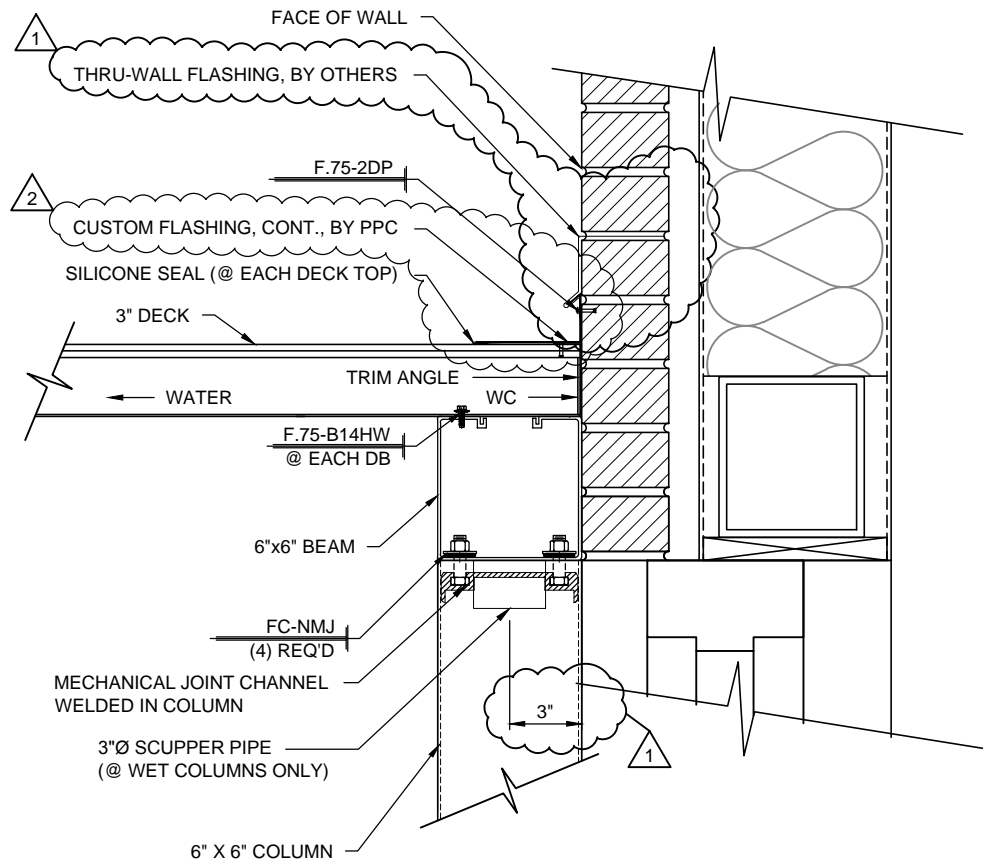
DWG. BY	RH
REV.	1
DATE	4/17/14
SUBJECT	2ND SUBMITTAL
REV.	2
DATE	7/2/14
SUBJECT	INITIAL F & F

PROJECT: ACADEMY OF OUR LADY NEW HIGH SCHOOL
 CUSTOMER: CITADEL BUILDERS, LLC
 ARCHITECT: BURGDAHL & GRAVES, AIA
 LOCATION: MARRERO, LA

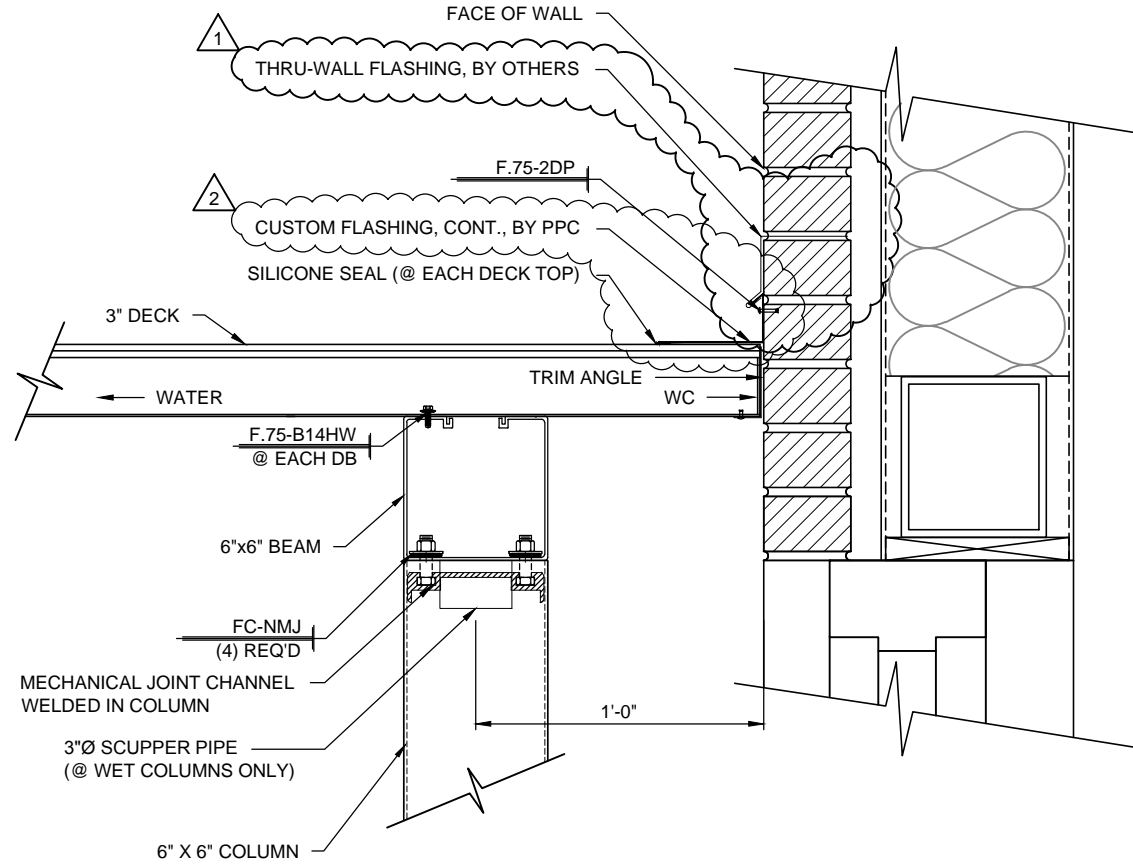
DATE:	7/26/13
DWN. BY:	RH
CHKD. BY:	RW
DRAWING NO.:	4.04
PPC JOB NO.:	5610

DWG. BY	RH
REV.	1
DATE	4/17/14
SUBJECT	2ND SUBMITTAL
REV.	2
DATE	7/2/14
SUBJECT	INITIAL F & F

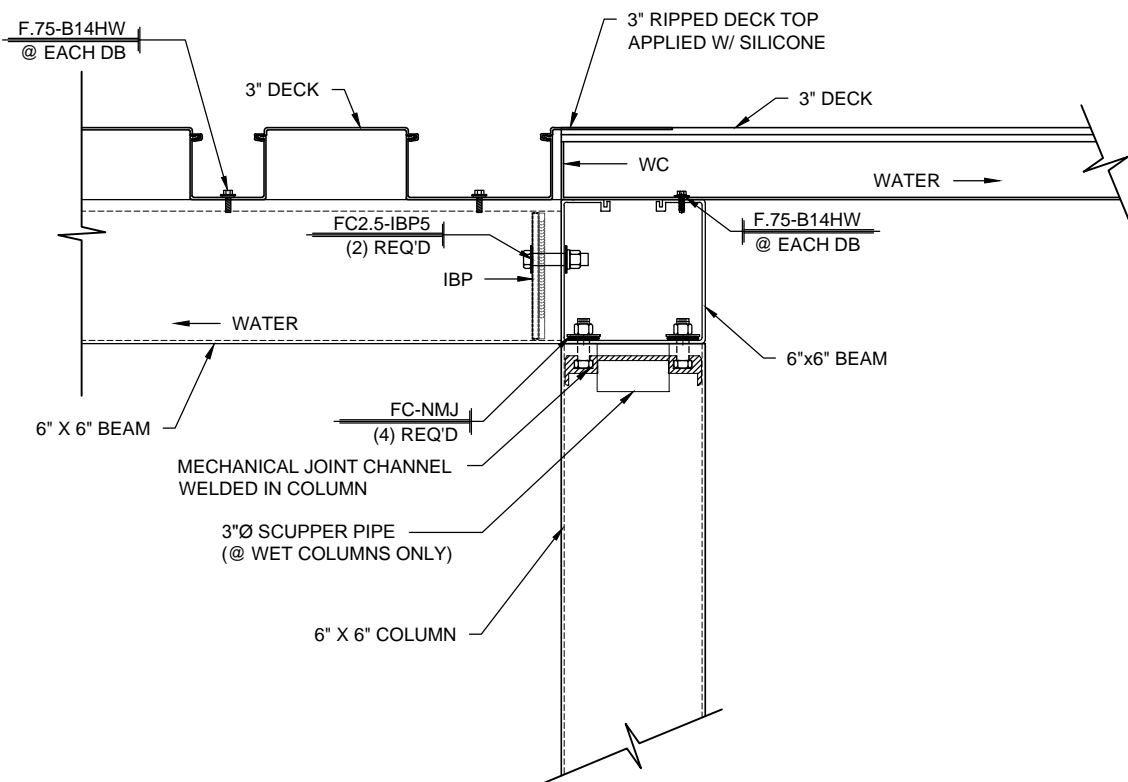
PROJECT:	ACADEMY OF OUR LADY NEW HIGH SCHOOL
CUSTOMER:	CITADEL BUILDERS, LLC
ARCHITECT:	BURGDahl & GRAVES, AIA
LOCATION:	MARRERO, LA
DATE:	7/26/13
DWN. BY:	RH
CHKD. BY:	RW
DRAWING NO.:	4.05
PPC JOB NO.:	5610



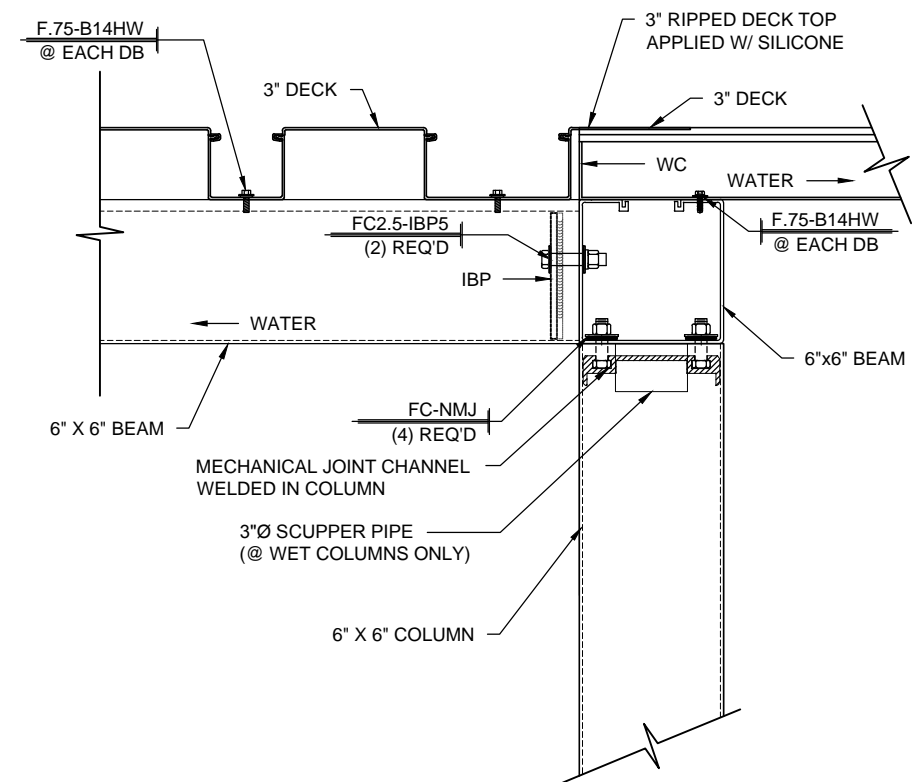
1
4.05 CANOPY WALL CONNECTION
SCALE: 1 1/2"=1'-0" CANOPY: F
REF.:



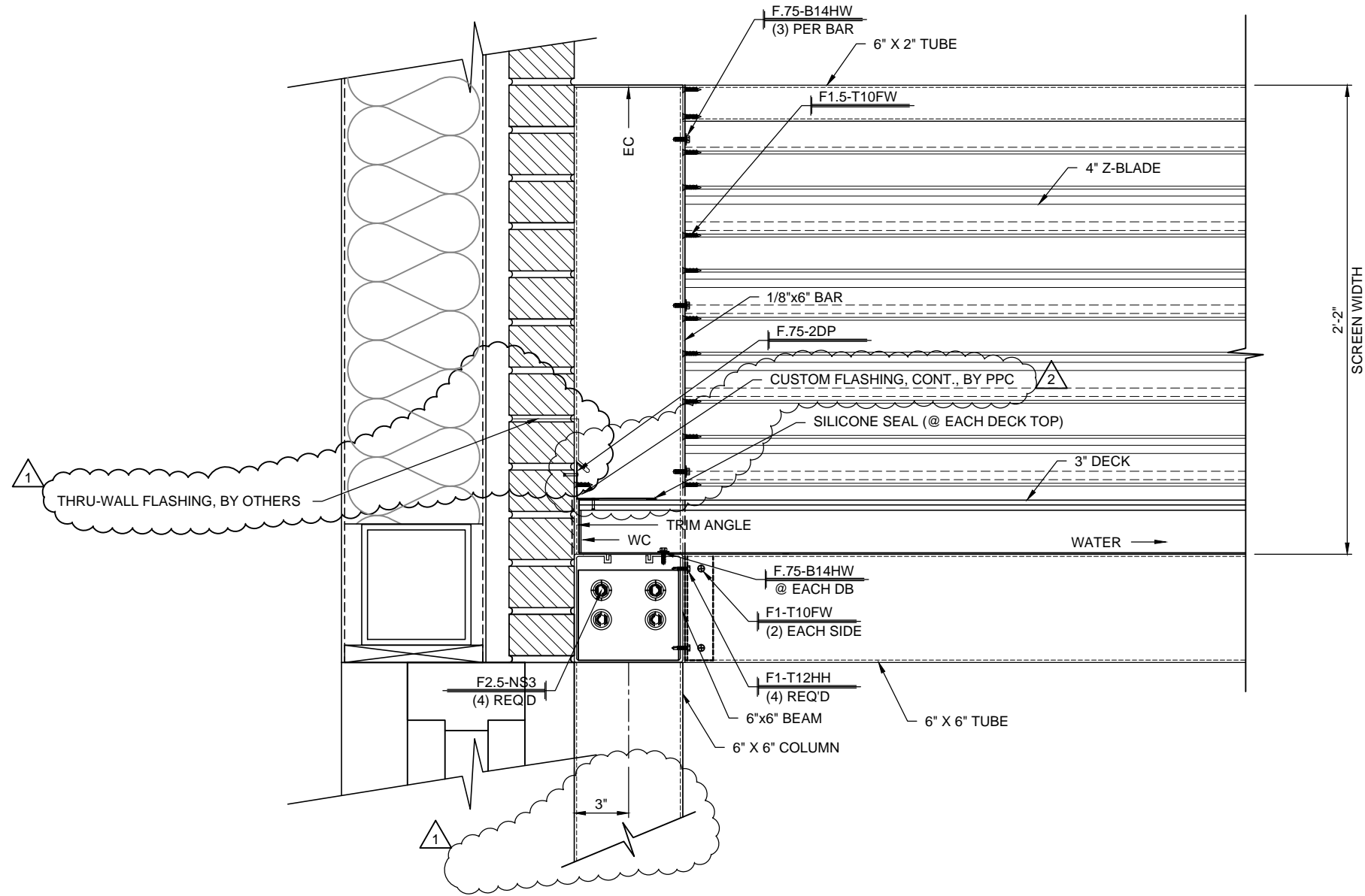
2
4.05 CANOPY WALL CONNECTION
SCALE: 1 1/2"=1'-0" CANOPY: G
REF.:



3
4.05 CANOPY INTERSECTION
SCALE: 1 1/2"=1'-0" CANOPIES: G & H
REF.:



4
4.05 CANOPY INTERSECTION
SCALE: 1 1/2"=1'-0" CANOPIES: K & L
REF.:

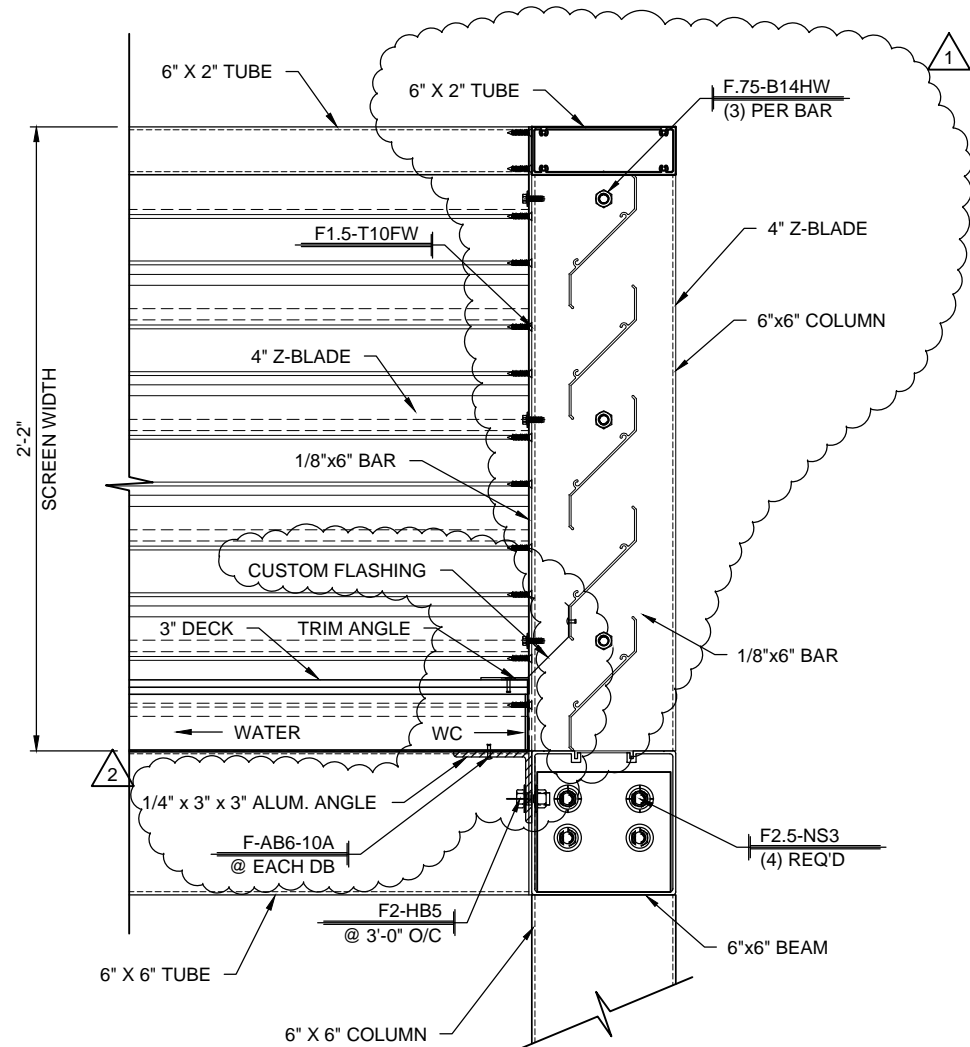


1
4.06 CANOPY WALL CONNECTION
SCALE: 1 1/2"=1'-0" CANOPY: G
REF.:

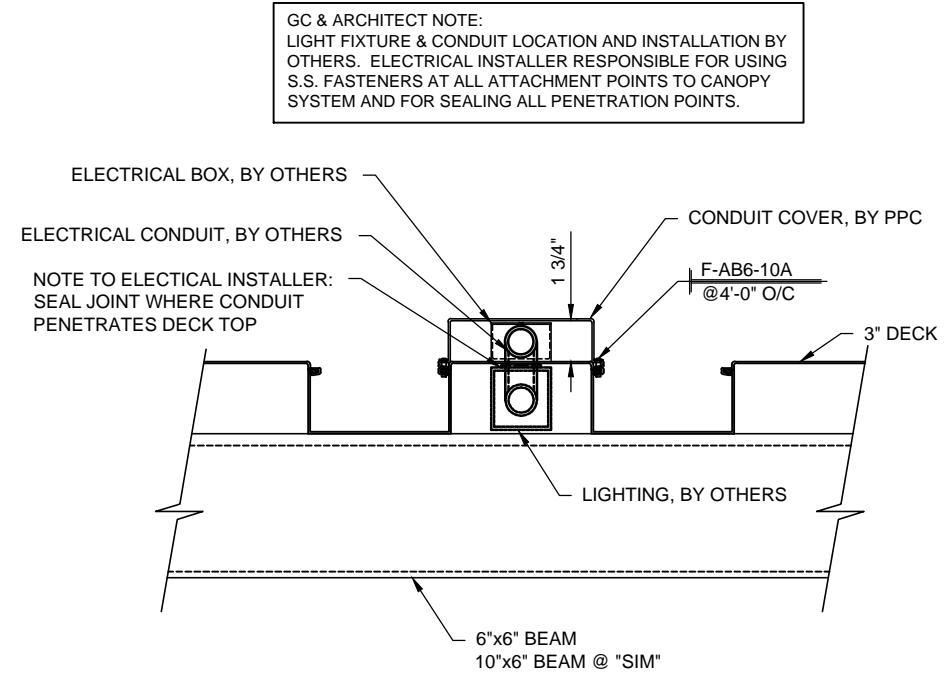
REV.	DATE	SUBJECT
1	4/17/14	2ND SUBMITTAL
2	7/2/14	INITIAL F & F

PROJECT:	ACADEMY OF OUR LADY NEW HIGH SCHOOL
CUSTOMER:	CITADEL BUILDERS, LLC
ARCHITECT:	BURGDahl & GRAVES, AIA
LOCATION:	MARRERO, LA

DATE:	7/26/13
DWN. BY:	RH
CHKD. BY:	RW
DRAWING NO.:	4.06
PPC JOB NO.:	5610



1 CANOPY END SECTION
4.07 SCALE: 1 1/2"=1'-0" CANOPY: H, J & L
REF.:



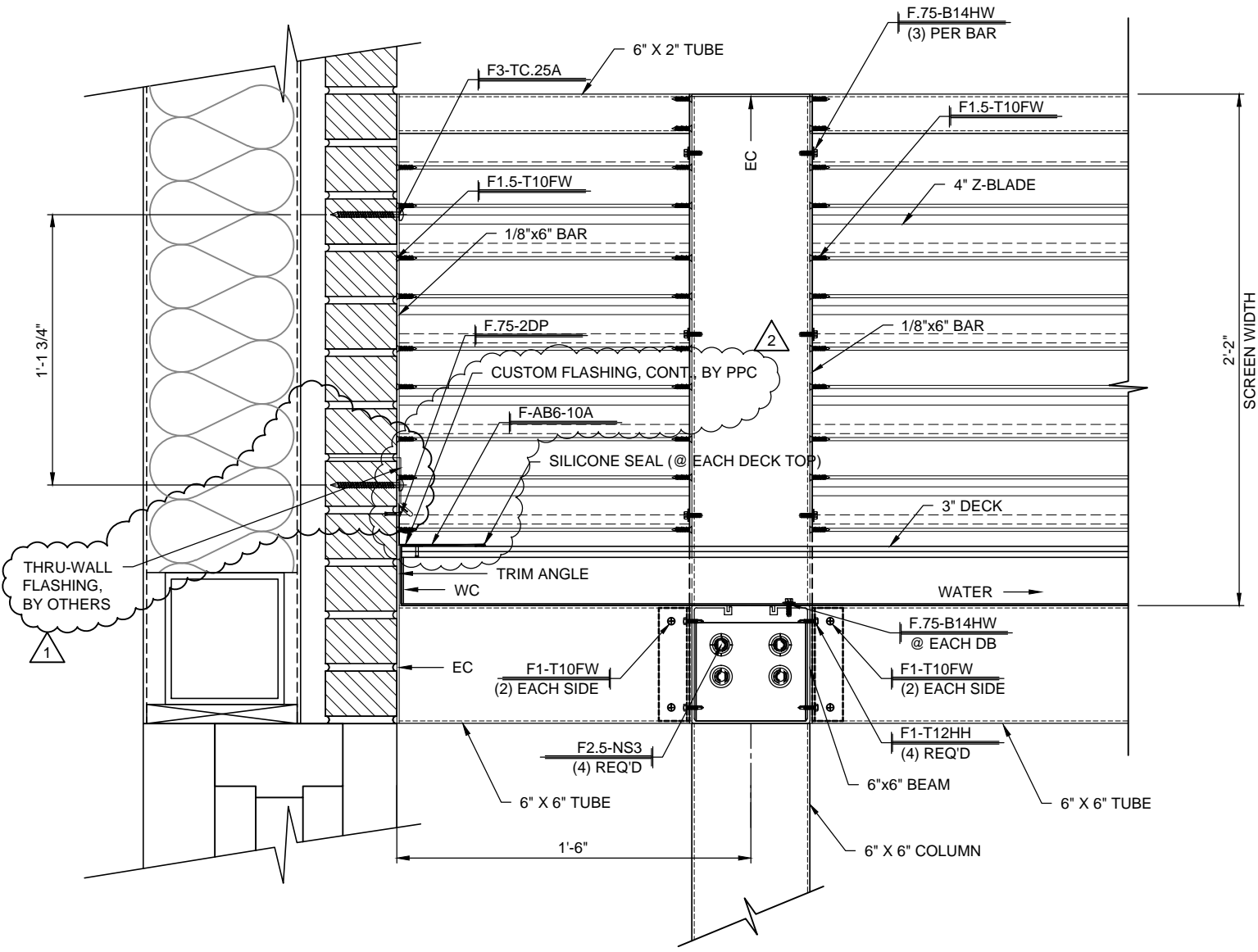
GC & ARCHITECT NOTE:
LIGHT FIXTURE & CONDUIT LOCATION AND INSTALLATION BY OTHERS. ELECTRICAL INSTALLER RESPONSIBLE FOR USING S.S. FASTENERS AT ALL ATTACHMENT POINTS TO CANOPY SYSTEM AND FOR SEALING ALL PENETRATION POINTS.

2 CONDUIT COVER DETAIL
4.07 SCALE: 1 1/2"=1'-0" CANOPY:
REF.:

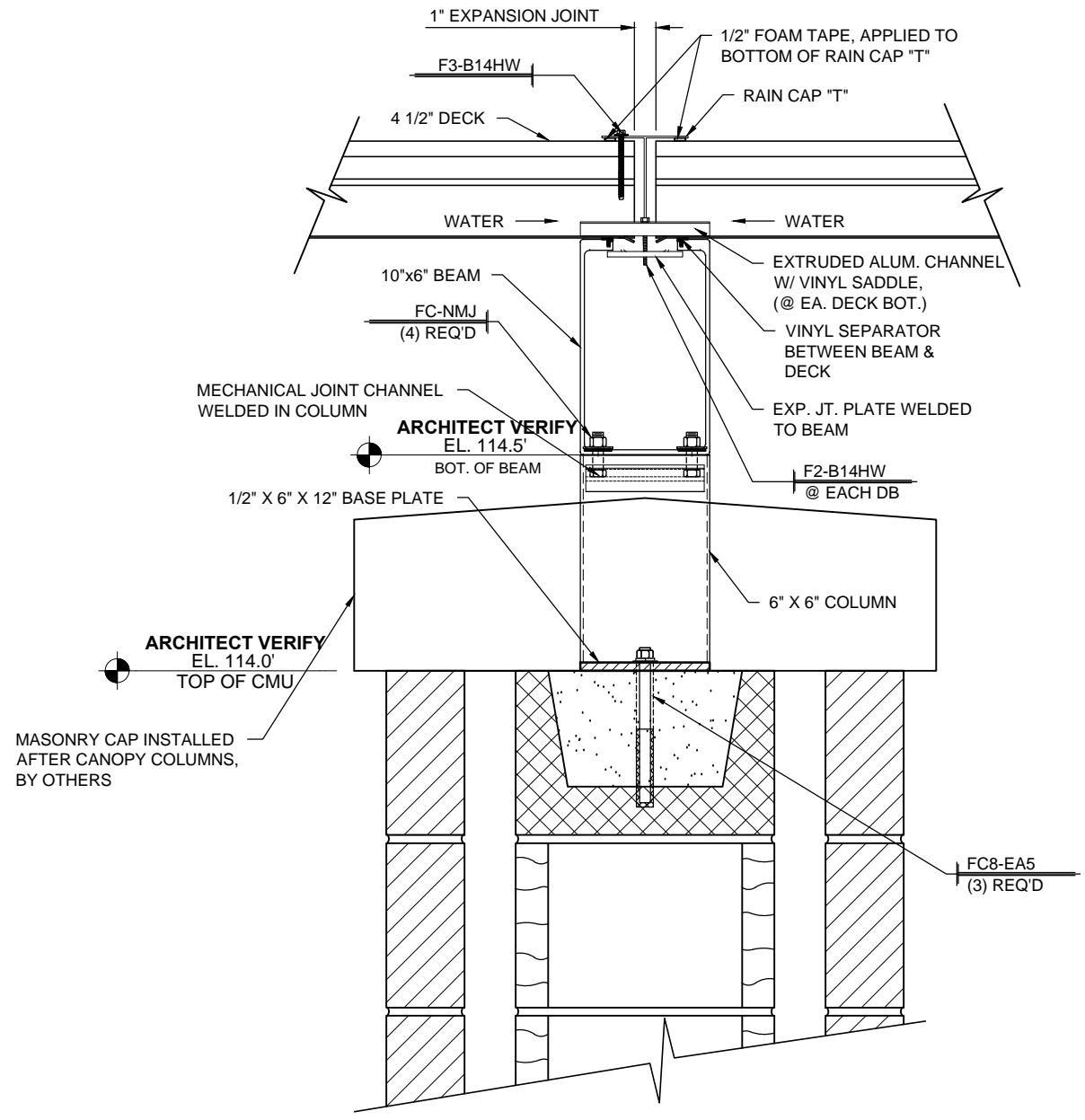
DWG. BY	RH
DATE	4/17/14
REV.	1
REV.	2
SUBJECT	2ND SUBMITTAL
SUBJECT	INITIAL F & F

PROJECT:	ACADEMY OF OUR LADY NEW HIGH SCHOOL
CUSTOMER:	CITADEL BUILDERS, LLC
ARCHITECT:	BURGDahl & GRAVES, AIA
LOCATION:	MARRERO, LA

DATE:	7/26/13
DWN. BY:	RH
CHKD. BY:	RW
DRAWING NO.:	4.07
PPC JOB NO.:	5610

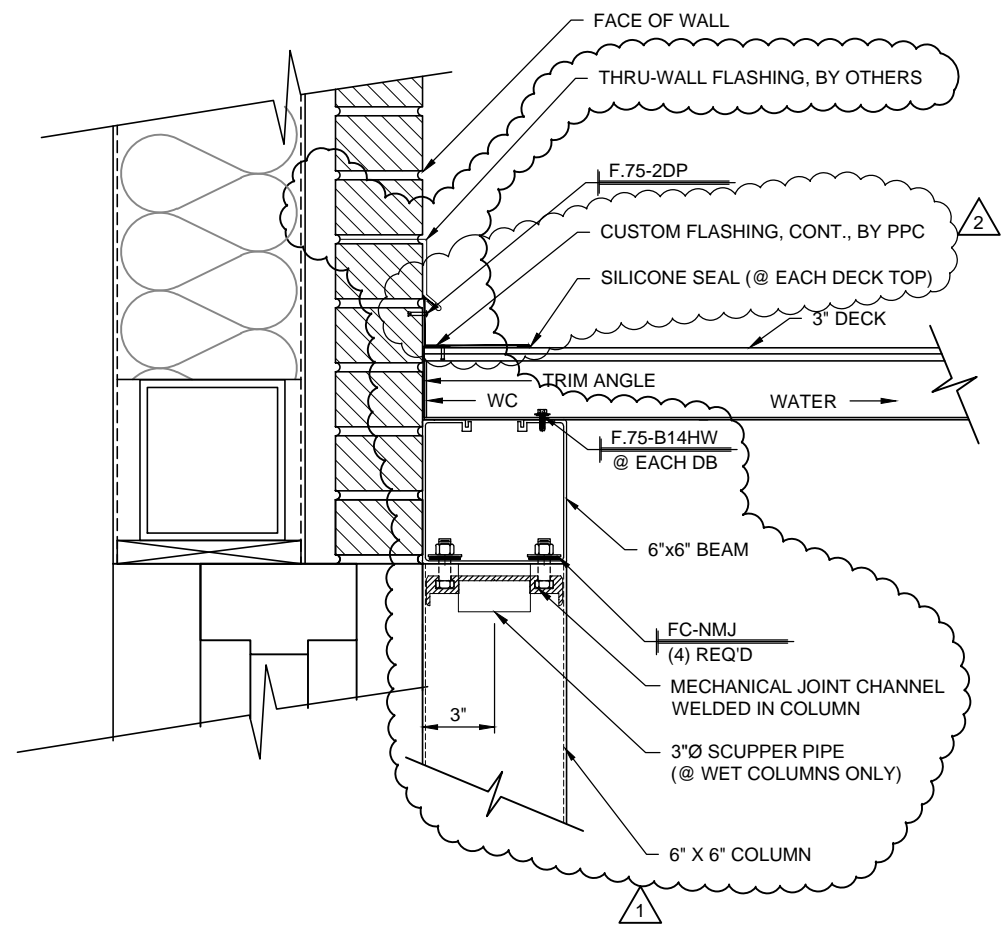


1
4.08 CANOPY WALL CONNECTION
SCALE: 1 1/2"=1'-0" CANOPY: K
REF.:

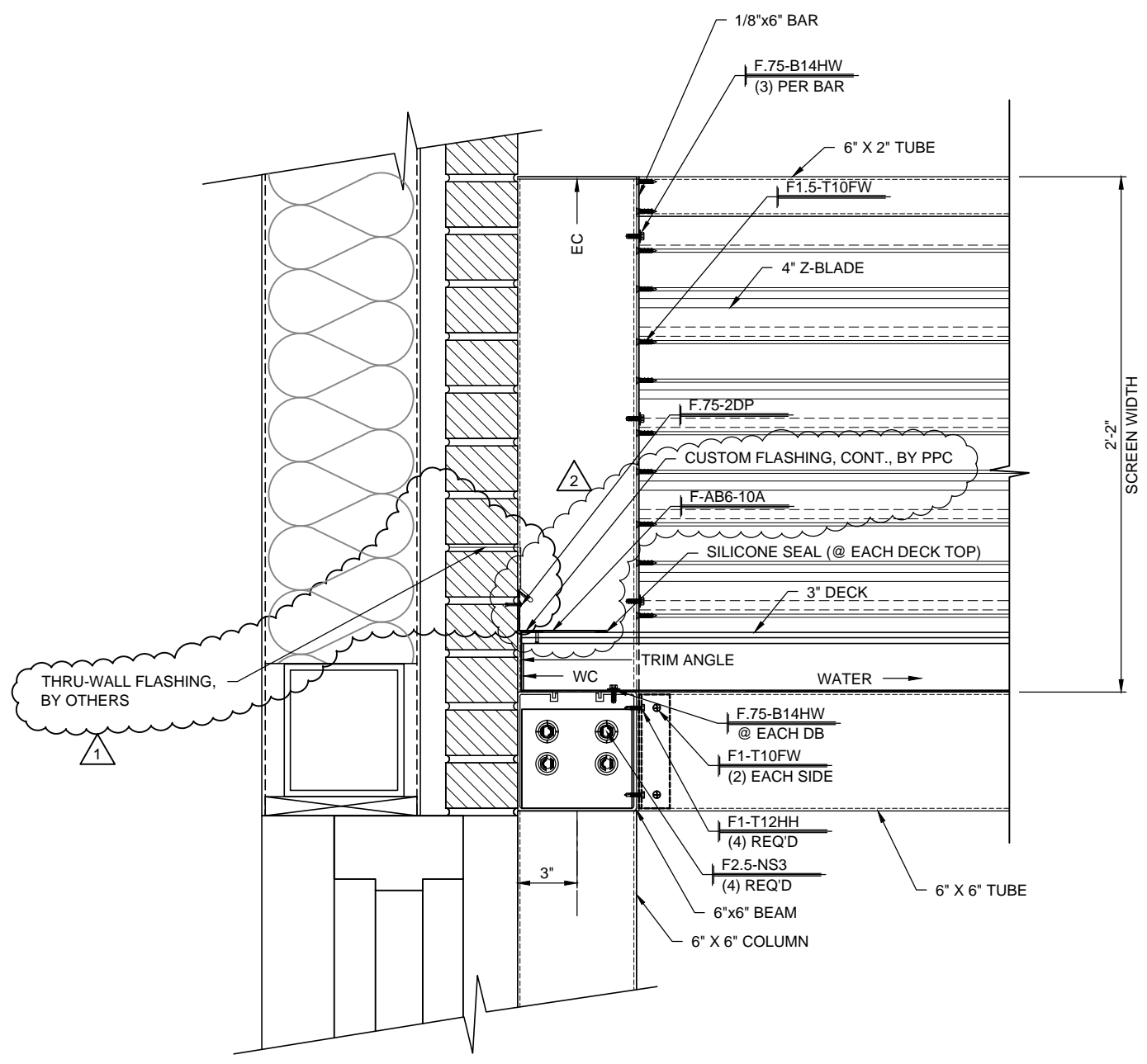


2
4.08 CANOPY EXP. JT. SECTION
SCALE: 1 1/2"=1'-0" CANOPY: D
REF.: 2/S305, 3/S305, 2/S309 & 3/S309

DWG. BY	RH				
REV.	1	4/17/14	2ND SUBMITTAL		
	2	7/2/14	INITIAL F & F		
PROJECT:	ACADEMY OF OUR LADY NEW HIGH SCHOOL				
CUSTOMER:	CITADEL BUILDERS, LLC				
ARCHITECT:	BURGDAHL & GRAVES, AIA				
LOCATION:	MARRERO, LA				
DATE:	7/26/13				
DWN. BY:	RH				
CHKD. BY:	RW				
DRAWING NO.:	4.08				
PPC JOB NO.:	5610				



1
4.09 CANOPY WALL CONNECTION
SCALE: 1 1/2"=1'-0" CANOPY: L
REF.:

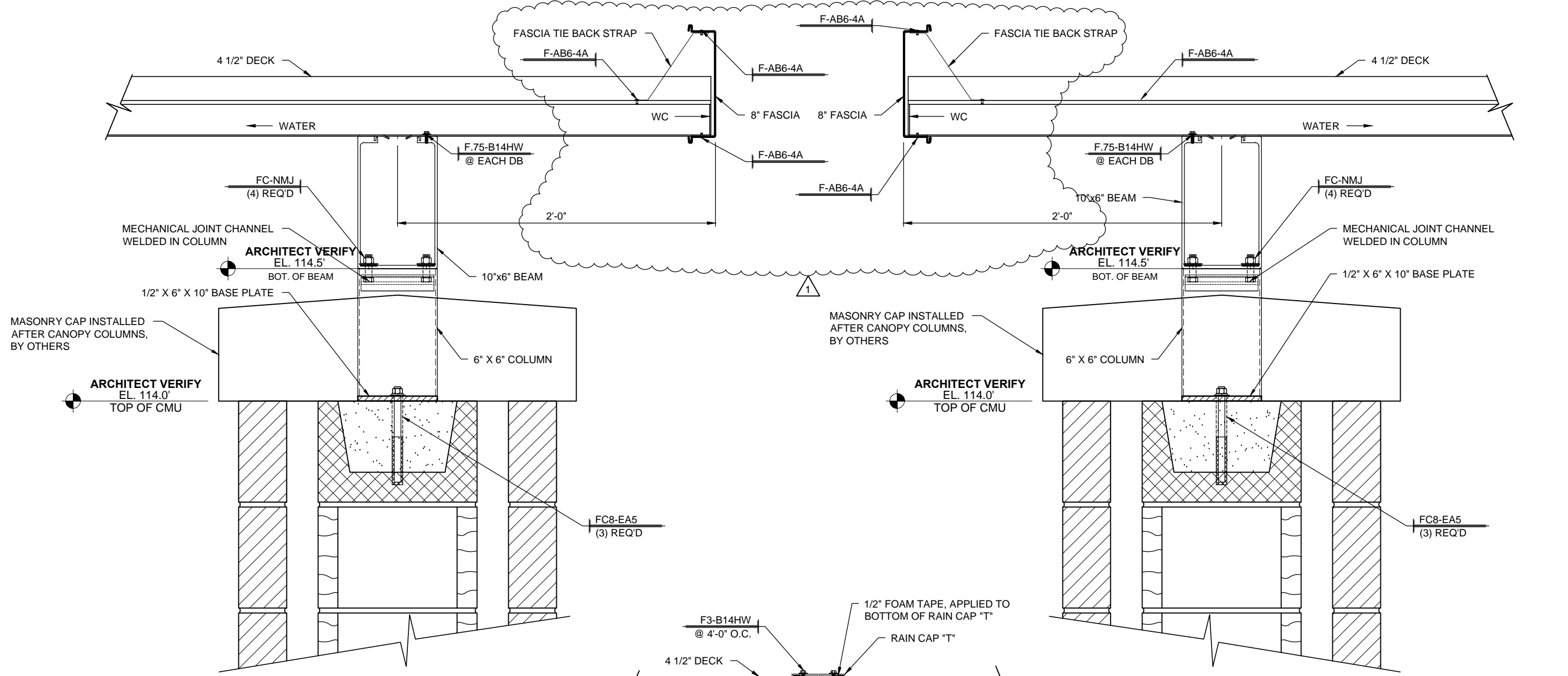


2
4.09 CANOPY WALL CONNECTION
SCALE: 1 1/2"=1'-0" CANOPY: K
REF.:

REV.	DATE	SUBJECT	DWG. BY
1	4/17/14	2ND SUBMITTAL	RH
2	7/2/14	INITIAL F & F	RH

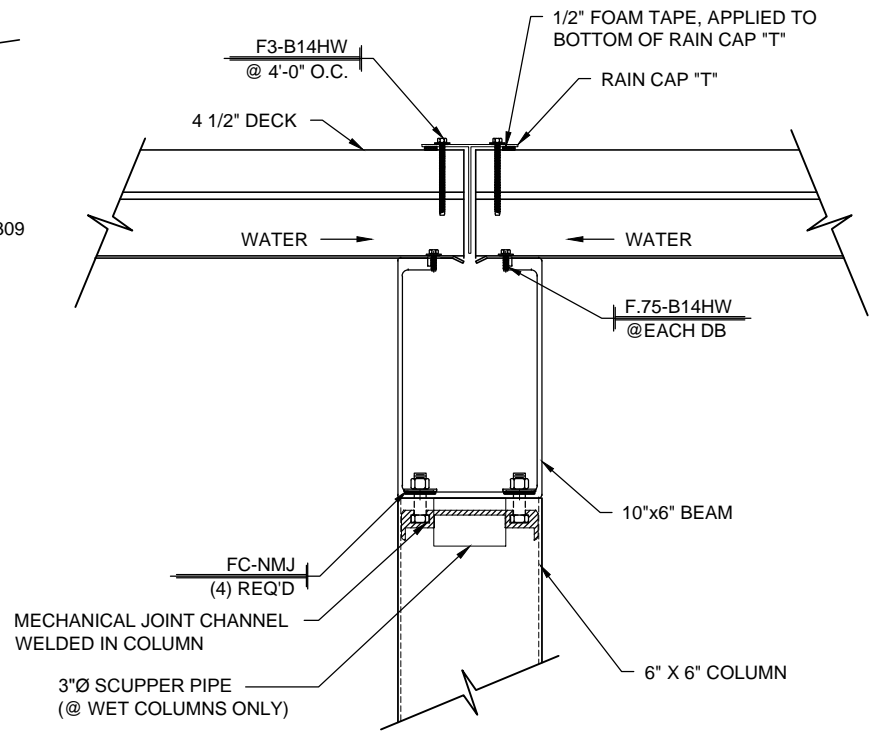
PROJECT: ACADEMY OF OUR LADY NEW HIGH SCHOOL
 CUSTOMER: CITADEL BUILDERS, LLC
 ARCHITECT: BURGDAHL & GRAVES, AIA
 LOCATION: MARRERO, LA

DATE:	7/26/13
DWN. BY:	RH
CHKD. BY:	RW
DRAWING NO.:	4.09
PPC JOB NO.:	5610



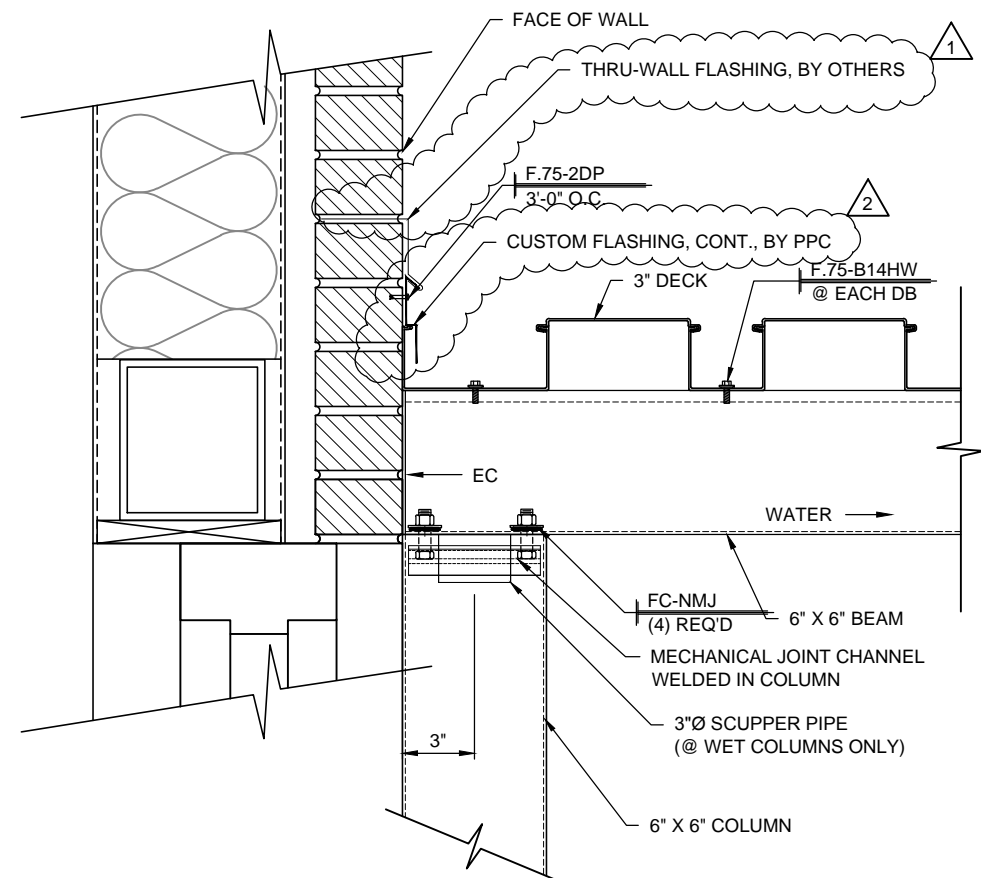
1 CANOPY END SECTION
4.10 SCALE: 1 1/2"=1'-0" CANOPY: M
REF.: 2/S305, 3/S305, 2/S309 & 3/S309

2 CANOPY END SECTION
4.10 SCALE: 1 1/2"=1'-0" CANOPY: M
REF.: 2/S305, 3/S305, 2/S309 & 3/S309

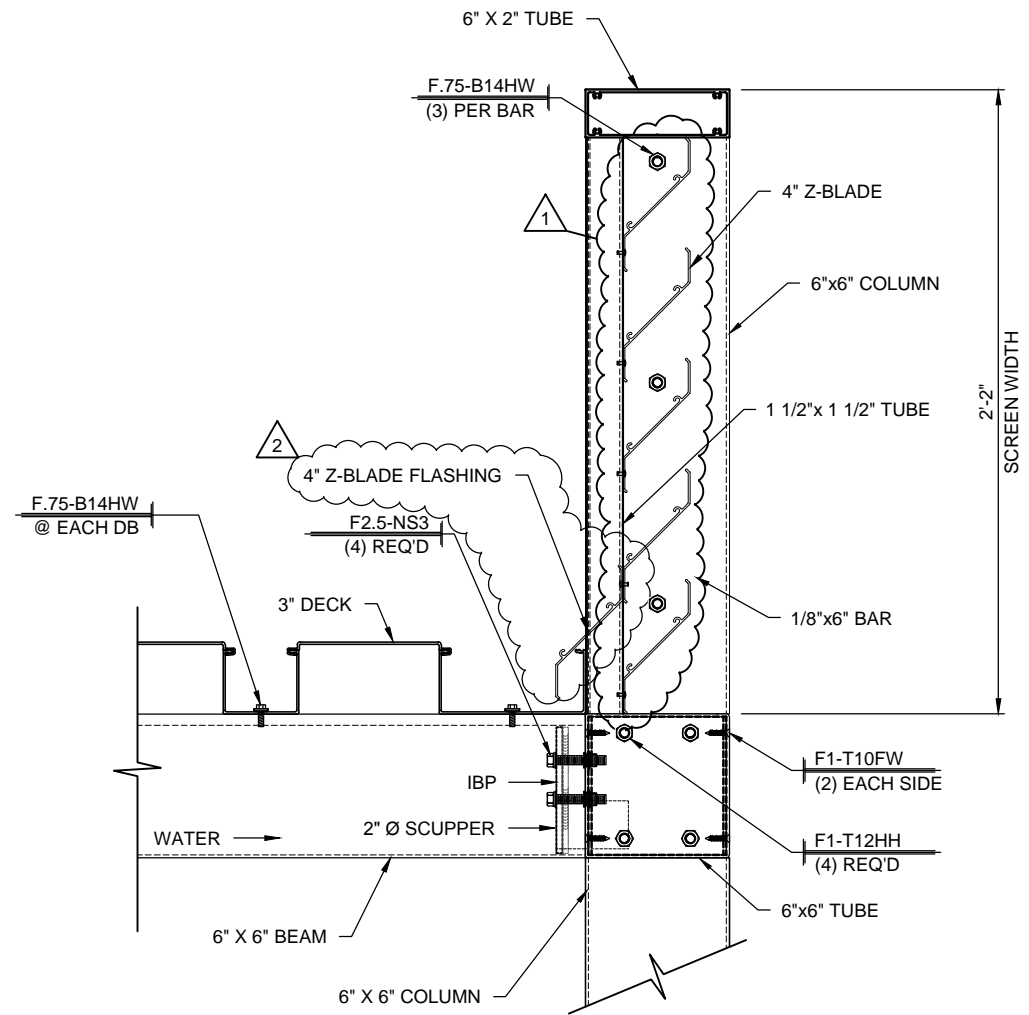


3 CANOPY BAY BREAK
4.10 SCALE: 1 1/2"=1'-0" CANOPY: M
REF.:

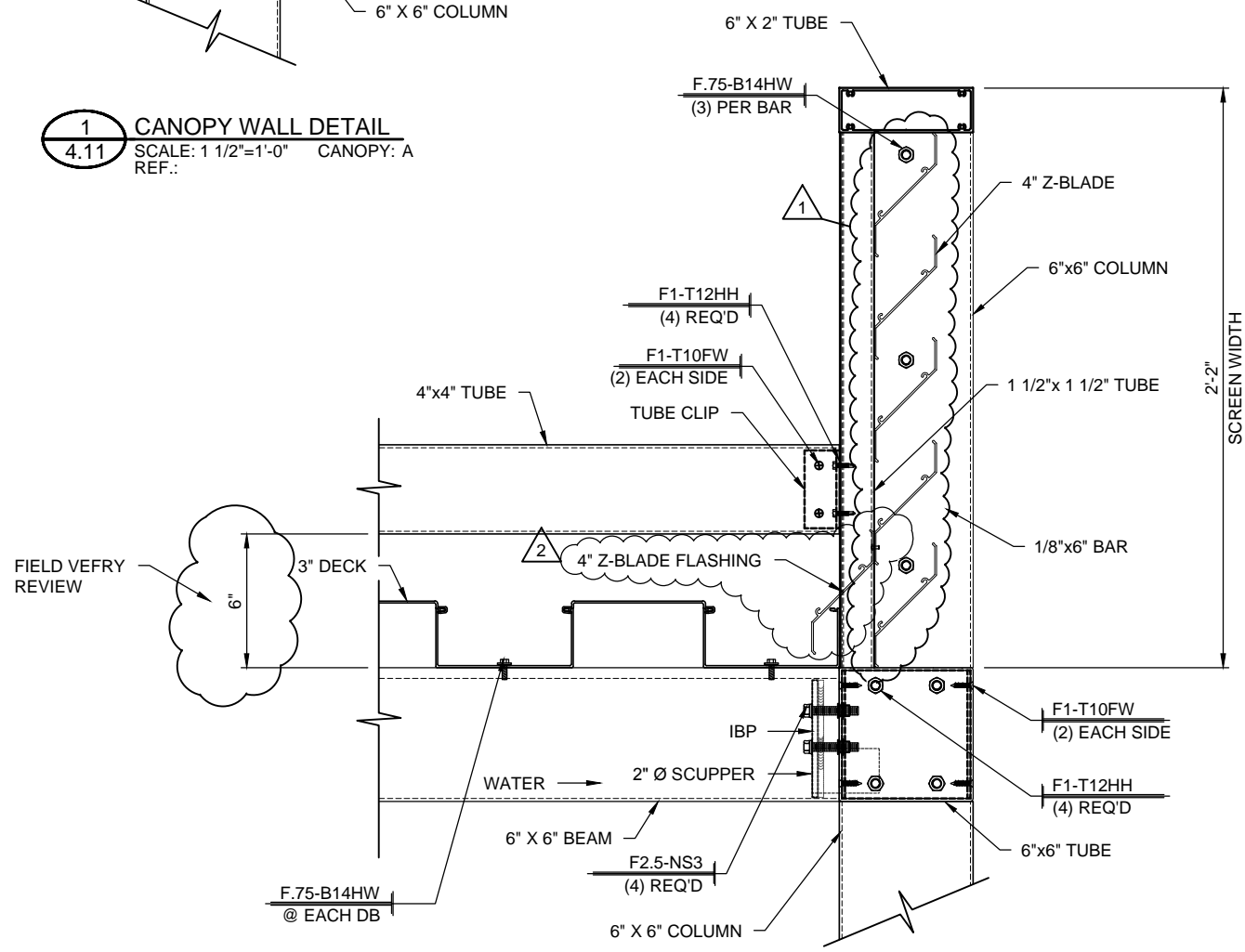
DWG. BY	RH
DATE	4/17/14
REV.	1
SUBJECT	2ND SUBMITTAL
PROJECT	ACADEMY OF OUR LADY NEW HIGH SCHOOL
CUSTOMER	CITADEL BUILDERS, LLC
ARCHITECT	BURGDahl & GRAVES, AIA
LOCATION	MARRERO, LA
DATE	7/26/13
DWN. BY	RH
CHKD. BY	RW
DRAWING NO.	4.10
PPC JOB NO.	5610



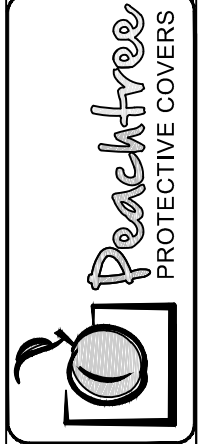
1 CANOPY WALL DETAIL
4.11 SCALE: 1 1/2"=1'-0" CANOPY: A
REF.:



2 CANOPY END DETAIL
4.11 SCALE: 1 1/2"=1'-0" CANOPY: A
REF.:



3 CANOPY END DETAIL
4.11 SCALE: 1 1/2"=1'-0" CANOPY: B
REF.:



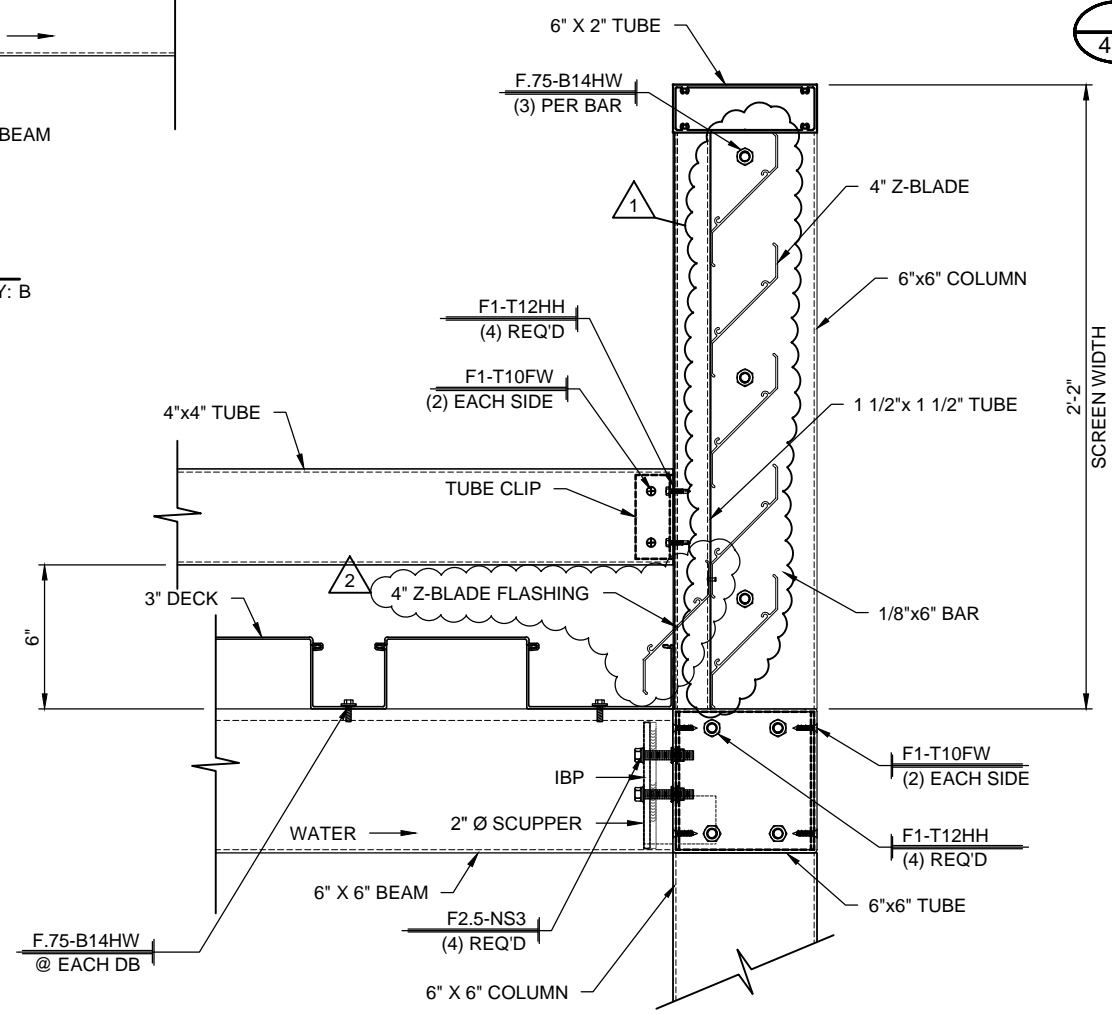
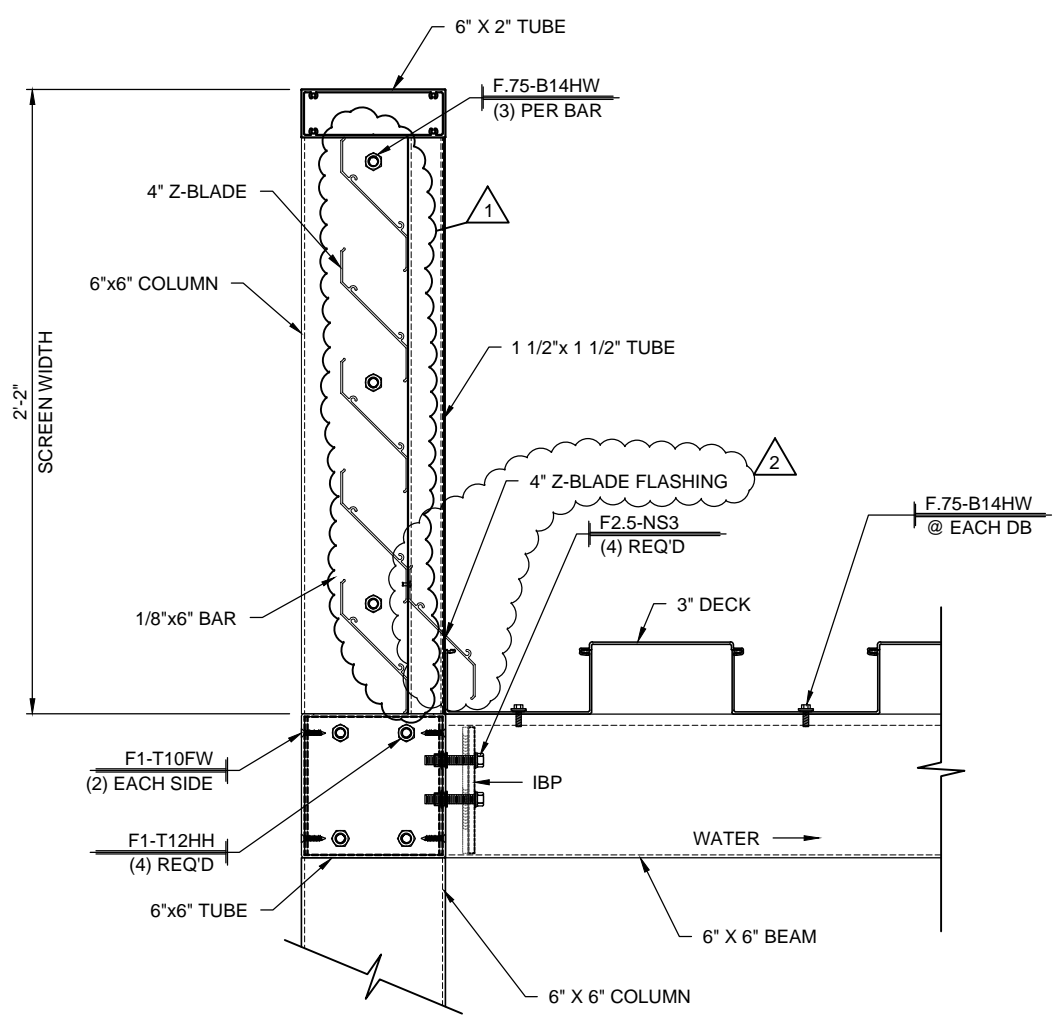
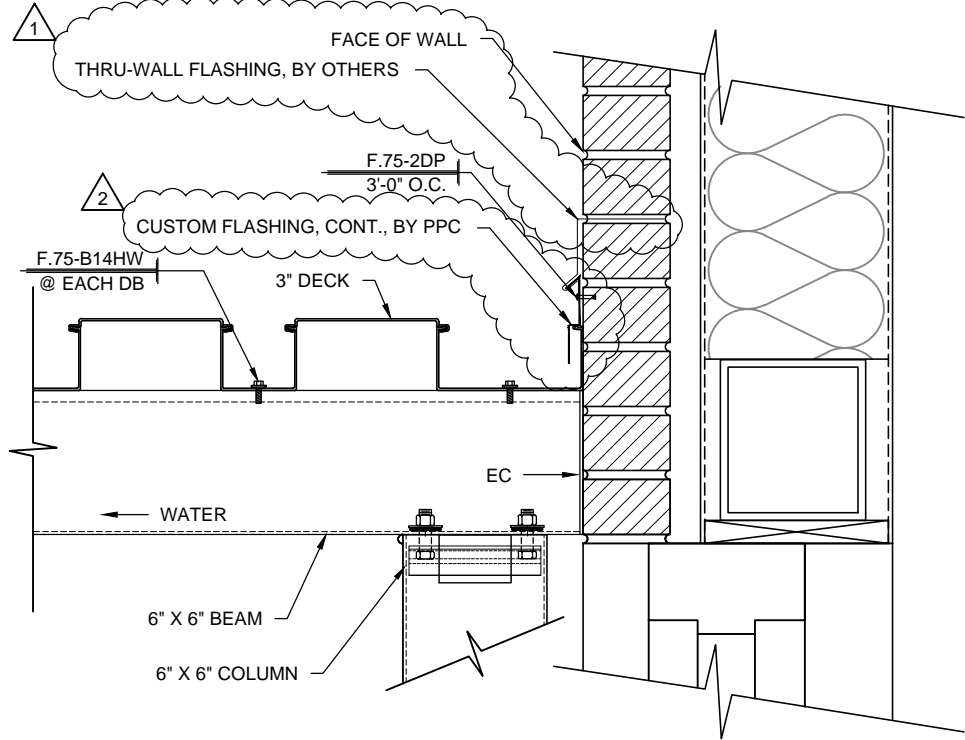
DWG. BY	RH
REV.	1
DATE	4/17/14
SUBJECT	2ND SUBMITTAL
REV.	2
DATE	7/2/14
SUBJECT	INITIAL F & F

PROJECT: ACADEMY OF OUR LADY NEW HIGH SCHOOL
 CUSTOMER: CITADEL BUILDERS, LLC
 ARCHITECT: BURGDahl & GRAVES, AIA
 LOCATION: MARRERO, LA

DATE:	7/26/13
DWN. BY:	RH
CHKD. BY:	RW
DRAWING NO.:	4.11
PPC JOB NO.:	5610

DWG. BY	RH
DATE	4/17/14
REV.	1
SUBJECT	2ND SUBMITTAL
DATE	7/2/14
REV.	2
SUBJECT	INITIAL F & F

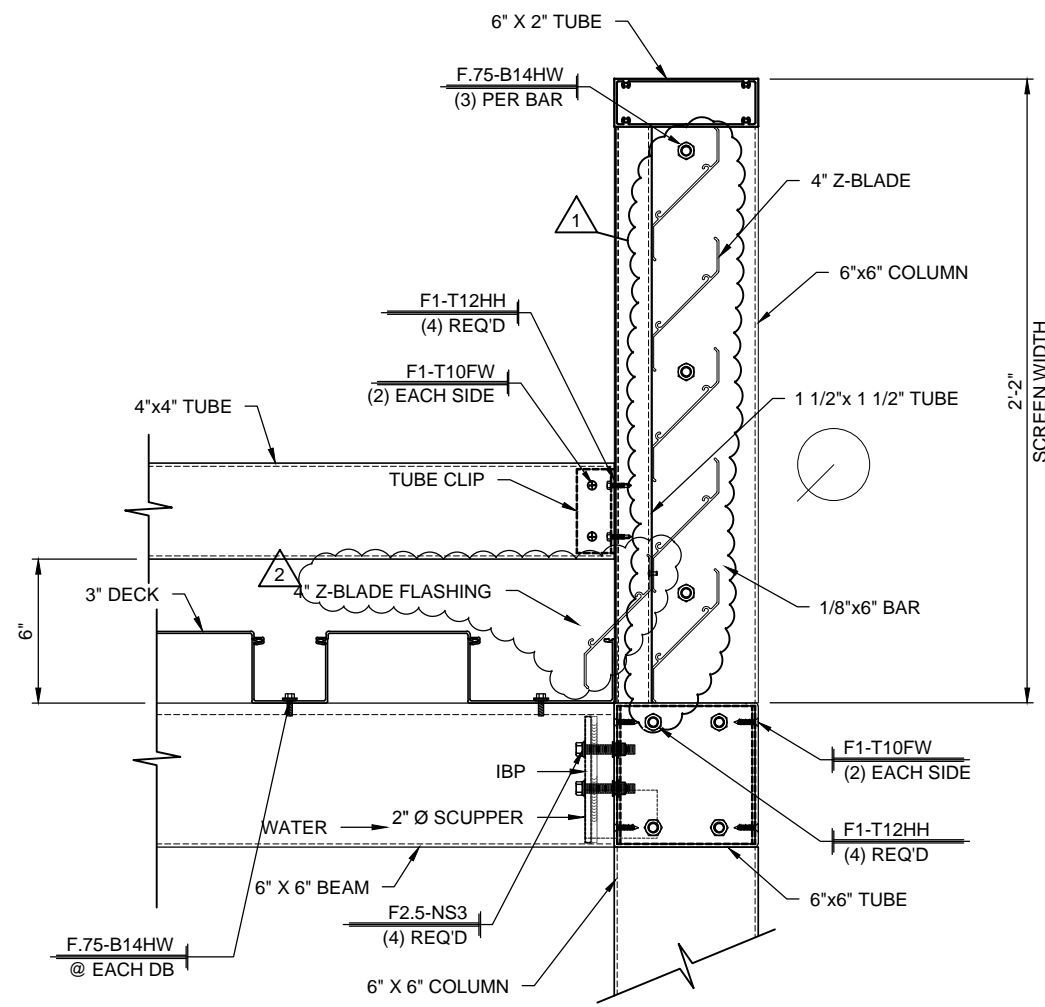
PROJECT:	ACADEMY OF OUR LADY NEW HIGH SCHOOL
CUSTOMER:	CITADEL BUILDERS, LLC
ARCHITECT:	BURGDahl & GRAVES, AIA
LOCATION:	MARRERO, LA
DATE:	7/26/13
DWN. BY:	RH
CHKD. BY:	RW
DRAWING NO.:	4.12
PPC JOB NO.:	5610



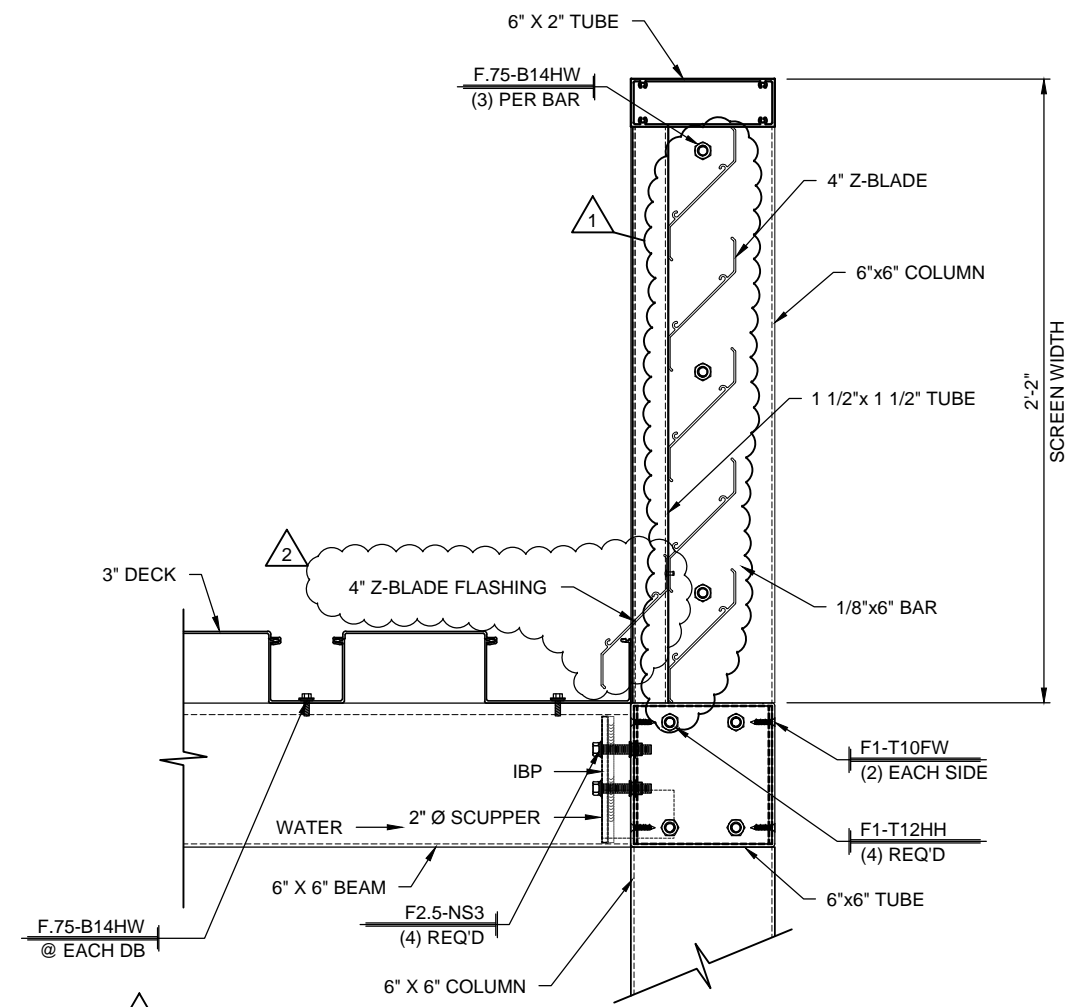
DWG. BY	RH
DATE	4/17/14
REV.	1
SUBJECT	2ND SUBMITTAL
INITIAL F&F	
DATE	7/2/14
REV.	2

PROJECT: ACADEMY OF OUR LADY NEW HIGH SCHOOL
 CUSTOMER: CITADEL BUILDERS, LLC
 ARCHITECT: BURGDahl & GRAVES, AIA
 LOCATION: MARRERO, LA

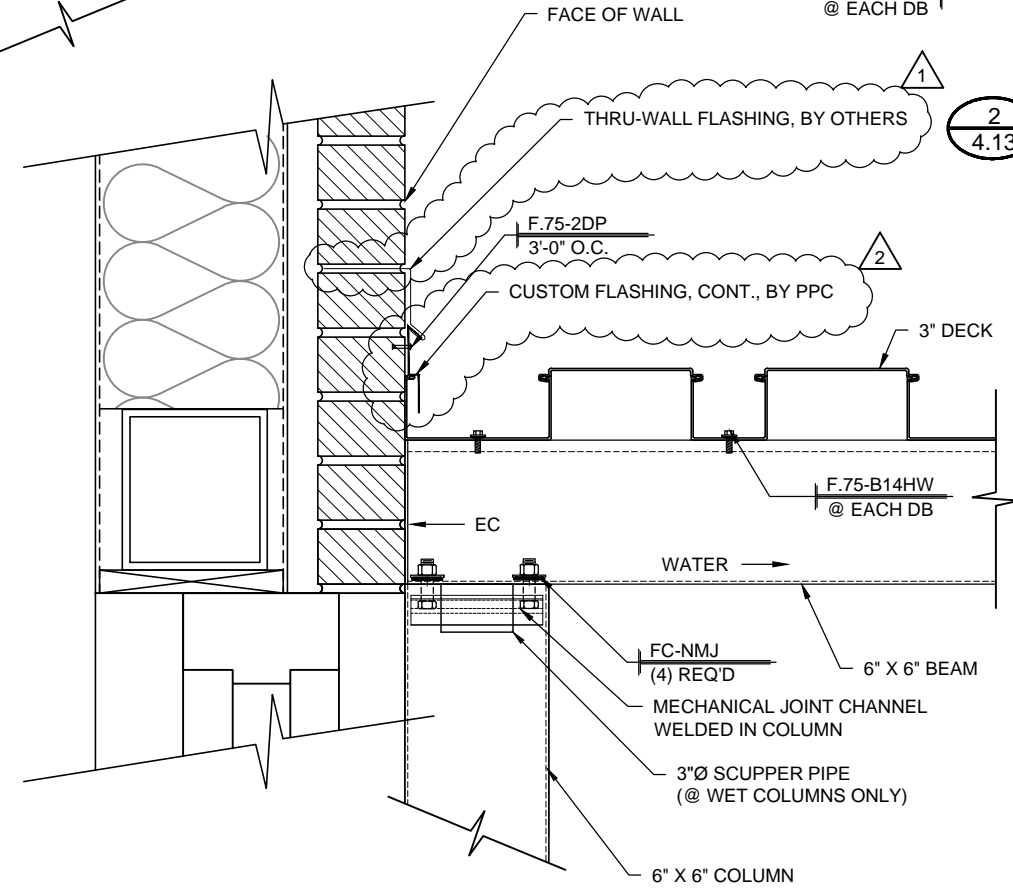
DATE:	7/26/13
DWN. BY:	RH
CHKD. BY:	RW
DRAWING NO.:	4.13
PPC JOB NO.:	5610



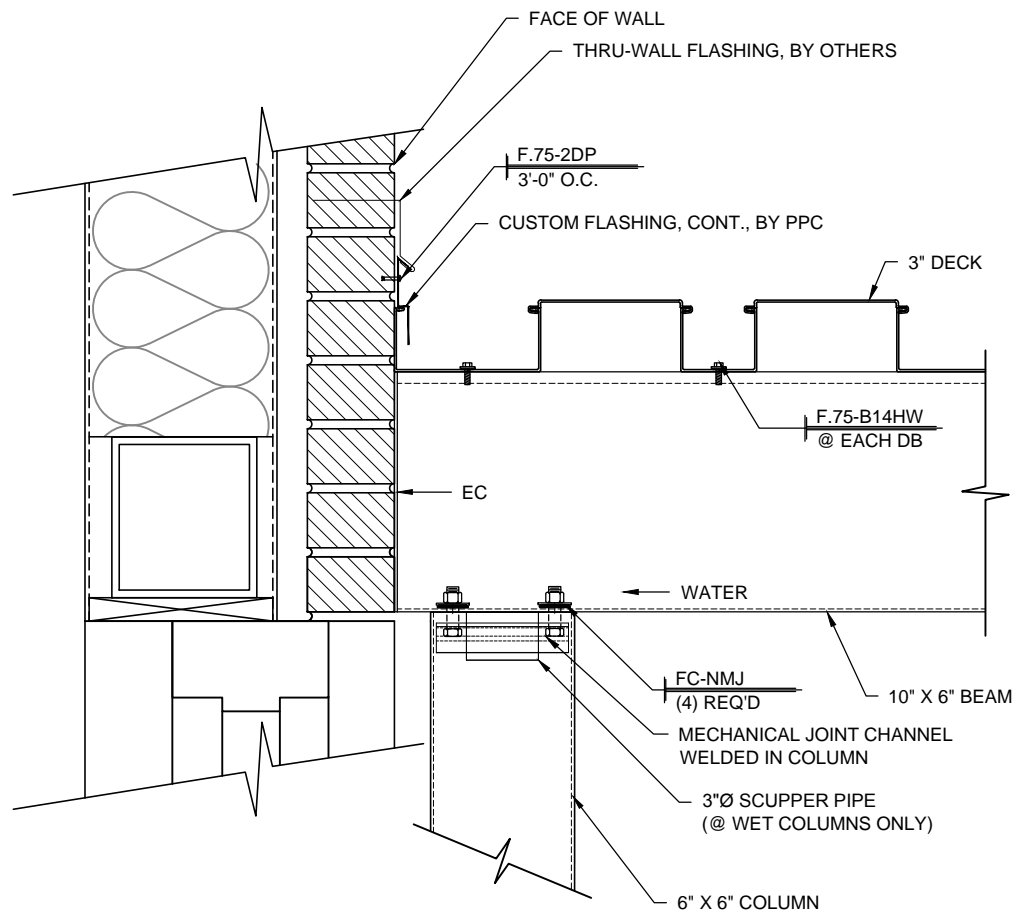
1 CANOPY END DETAIL
 4.13 SCALE: 1 1/2"=1'-0" CANOPY: C
 REF.:



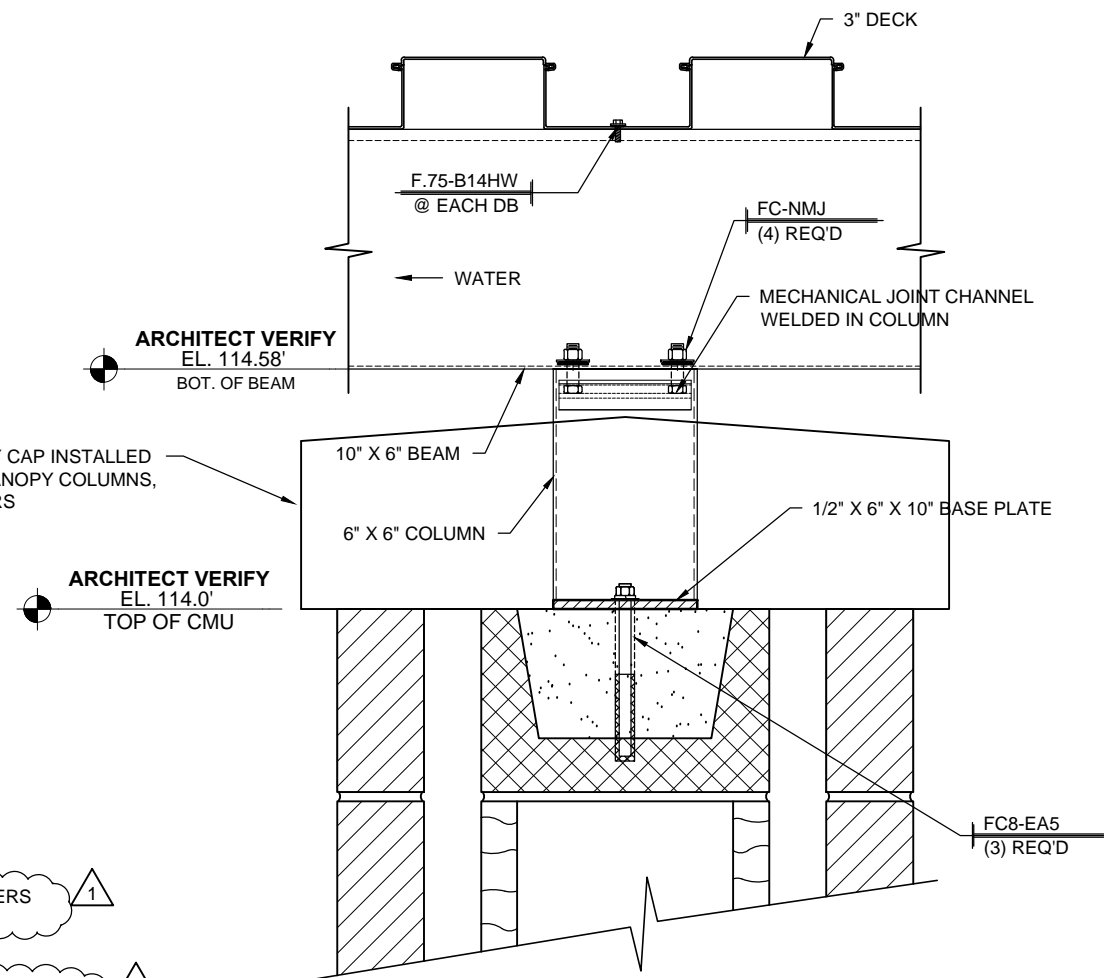
2 CANOPY END DETAIL
 4.13 SCALE: 1 1/2"=1'-0" CANOPIES: C & F
 REF.:



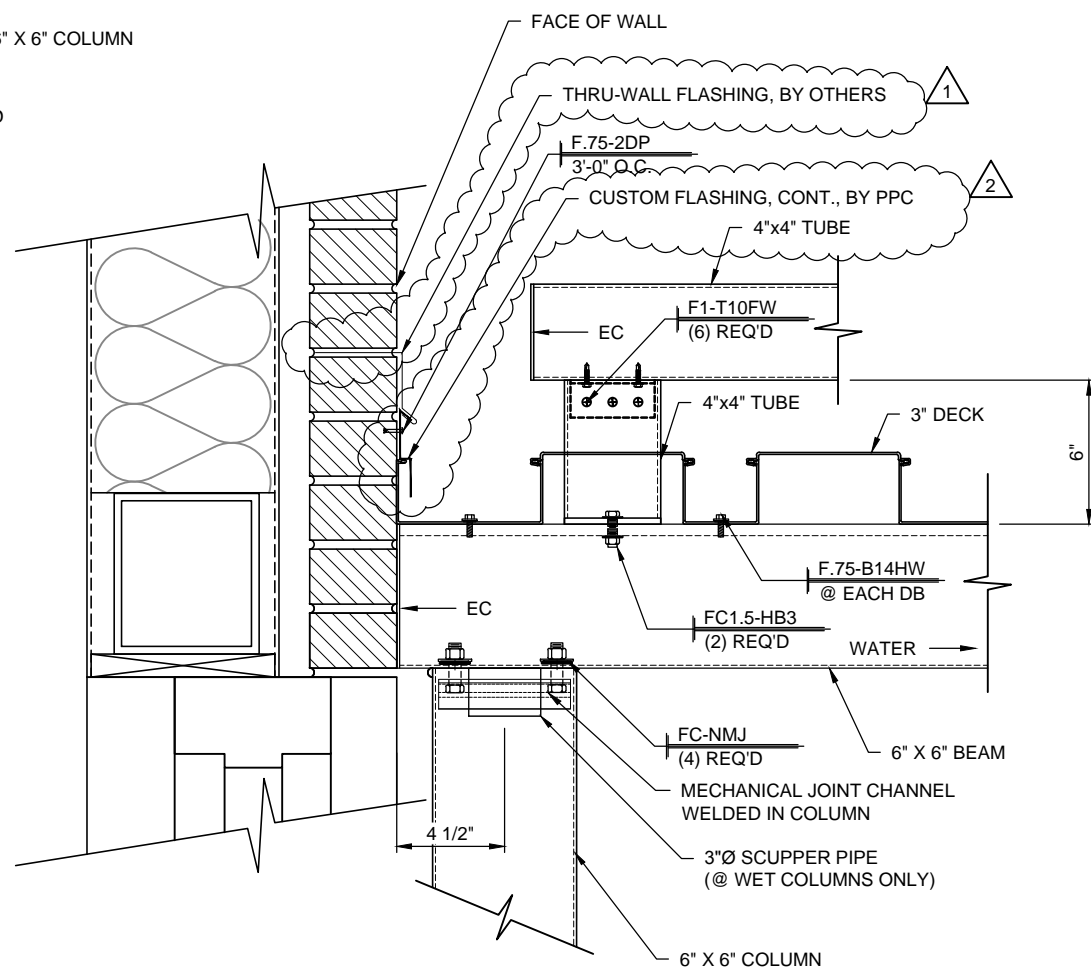
3 CANOPY WALL DETAIL
 4.13 SCALE: 1 1/2"=1'-0" CANOPIES: C & F
 REF.:



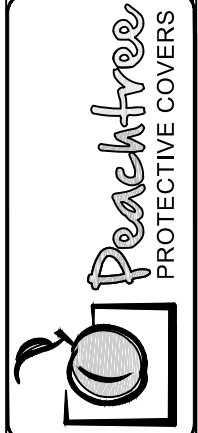
1
4.14 CANOPY WALL DETAIL
SCALE: 1 1/2"=1'-0" CANOPY: D
REF.:



2
4.14 CANOPY CONNECTION DETAIL
SCALE: 1 1/2"=1'-0" CANOPY: D
REF.: 2/S305, 3/S305, 2/S309 & 3/S309



3
4.14 CANOPY WALL DETAIL
SCALE: 1 1/2"=1'-0" CANOPY: E
REF.:



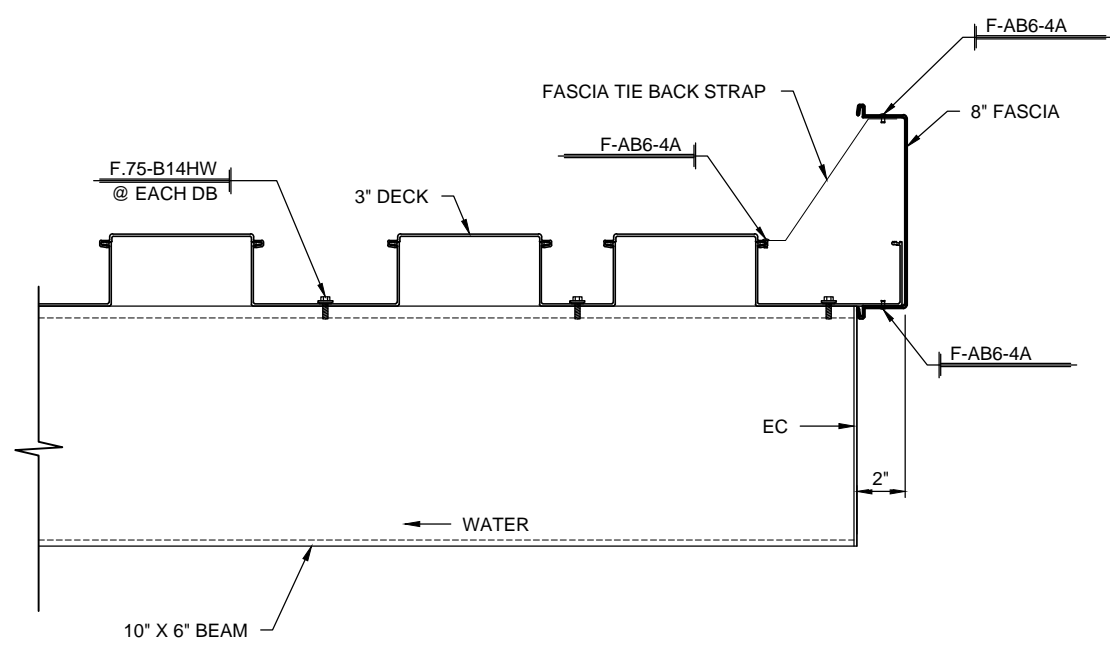
DWG. BY	RH
DATE	4/17/14
REV.	1
DATE	7/2/14
REV.	2
SUBJECT	2ND SUBMITTAL
	INITIAL F & F

PROJECT: ACADEMY OF OUR LADY NEW HIGH SCHOOL
 CUSTOMER: CITADEL BUILDERS, LLC
 ARCHITECT: BURGDAHL & GRAVES, AIA
 LOCATION: MARRERO, LA

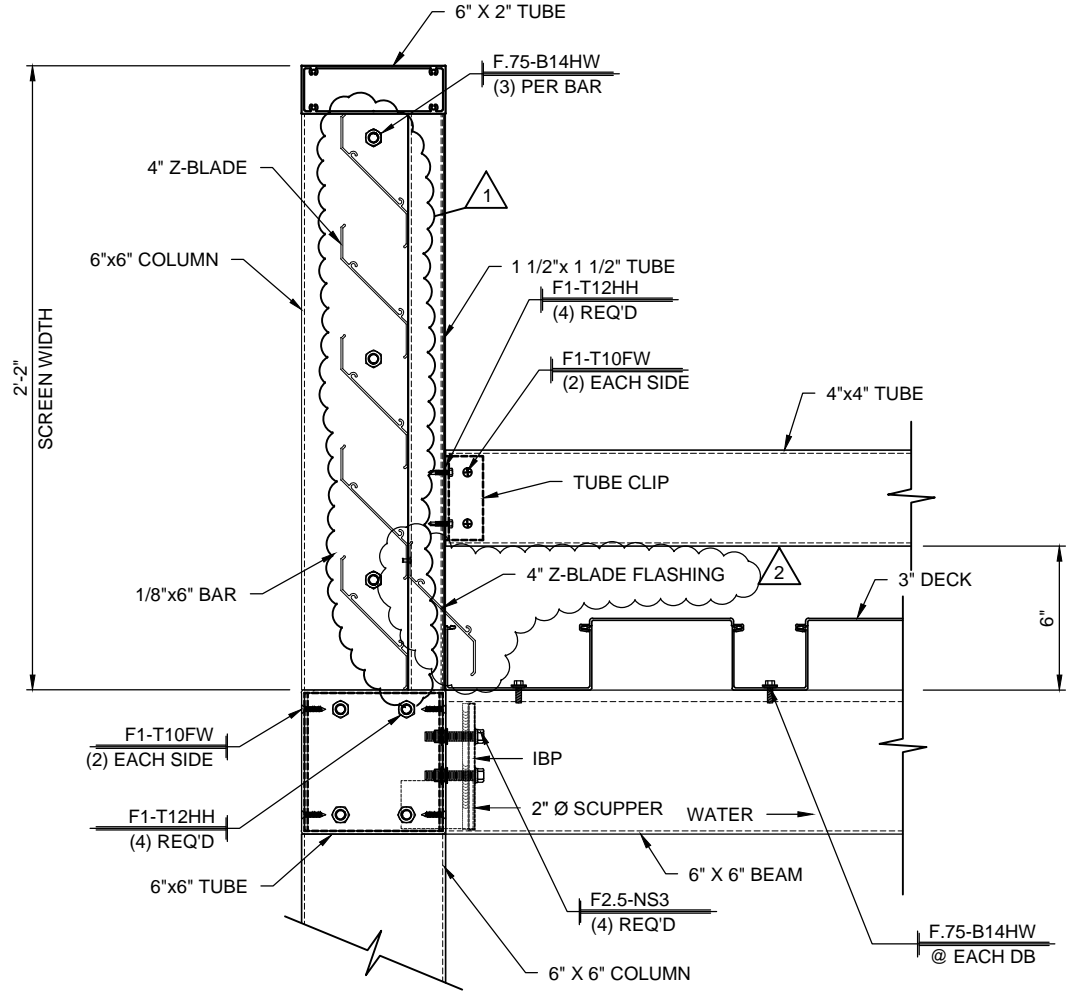
DATE:	7/26/13
DWN. BY:	RH
CHKD. BY:	RW
DRAWING NO.:	4.14
PPC JOB NO.:	5610

DWG. BY	RH
DATE	4/17/14
REV.	1
SUBJECT	2ND SUBMITTAL
DATE	7/2/14
REV.	2
SUBJECT	INITIAL F & F

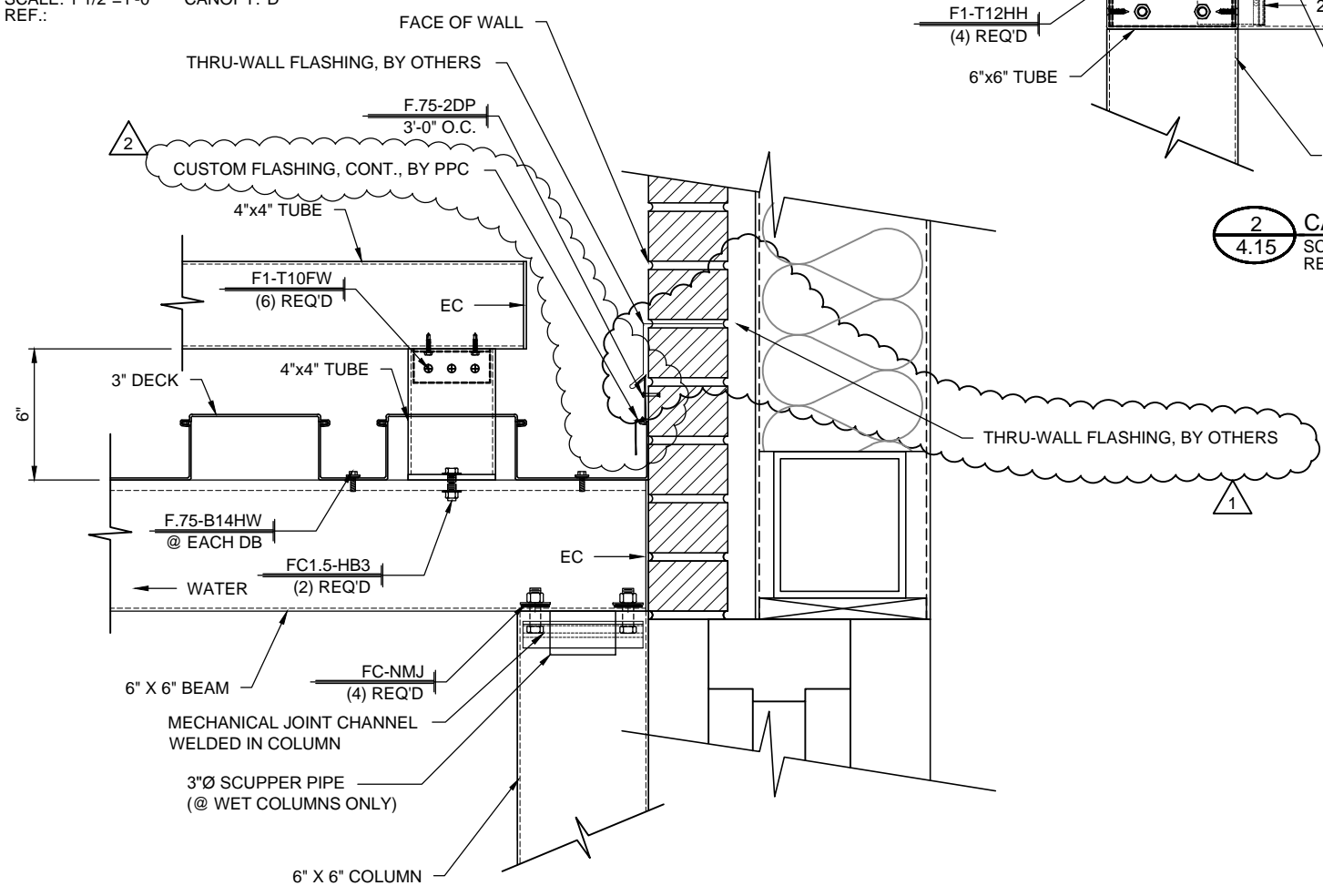
PROJECT:	ACADEMY OF OUR LADY NEW HIGH SCHOOL
CUSTOMER:	CITADEL BUILDERS, LLC
ARCHITECT:	BURGDahl & GRAVES, AIA
LOCATION:	MARRERO, LA
DATE:	7/26/13
DWN. BY:	RH
CHKD. BY:	RW
DRAWING NO.:	4.15
PPC JOB NO.:	5610



1 CANOPY END DETAIL
4.15 SCALE: 1 1/2"=1'-0" CANOPY: D
REF.:



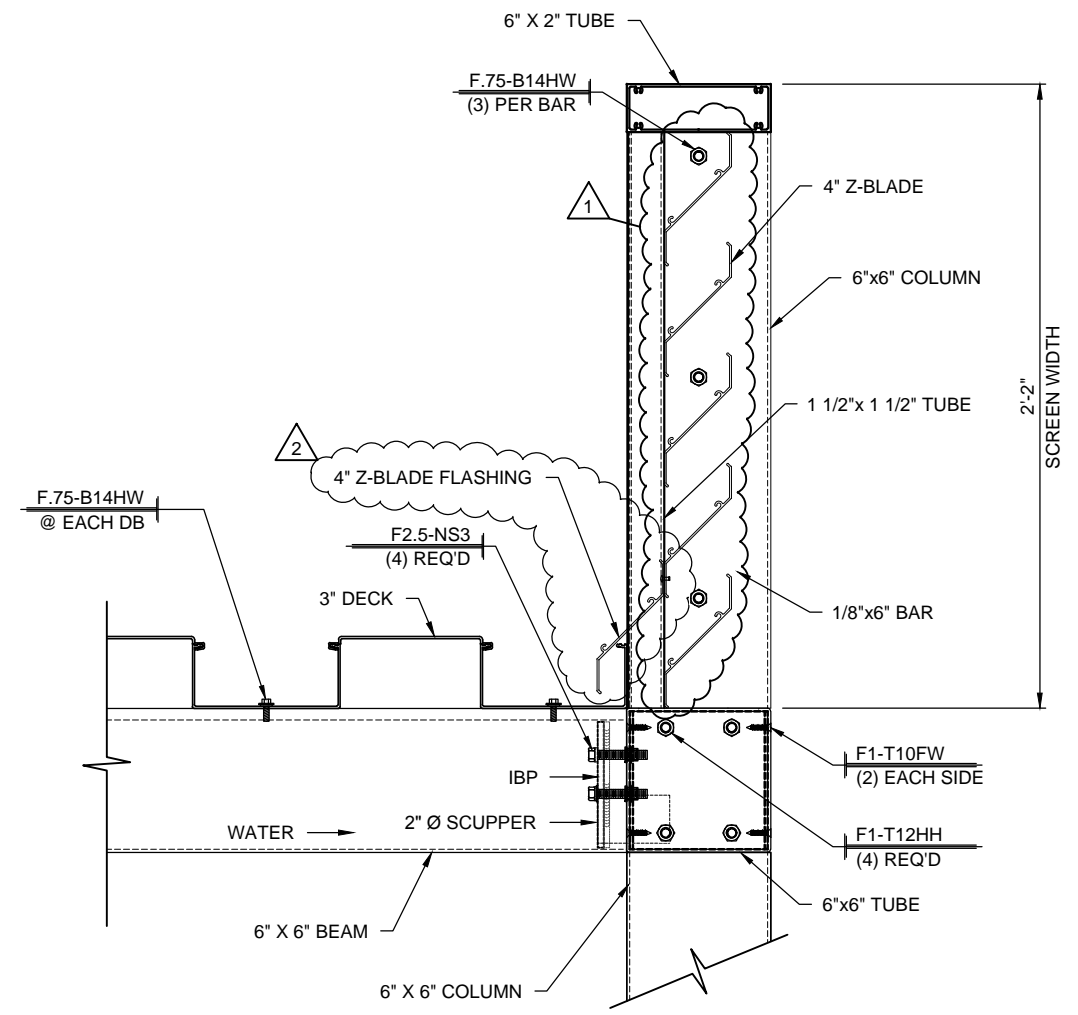
2 CANOPY END DETAIL
4.15 SCALE: 1 1/2"=1'-0" CANOPIES: E & G
REF.:



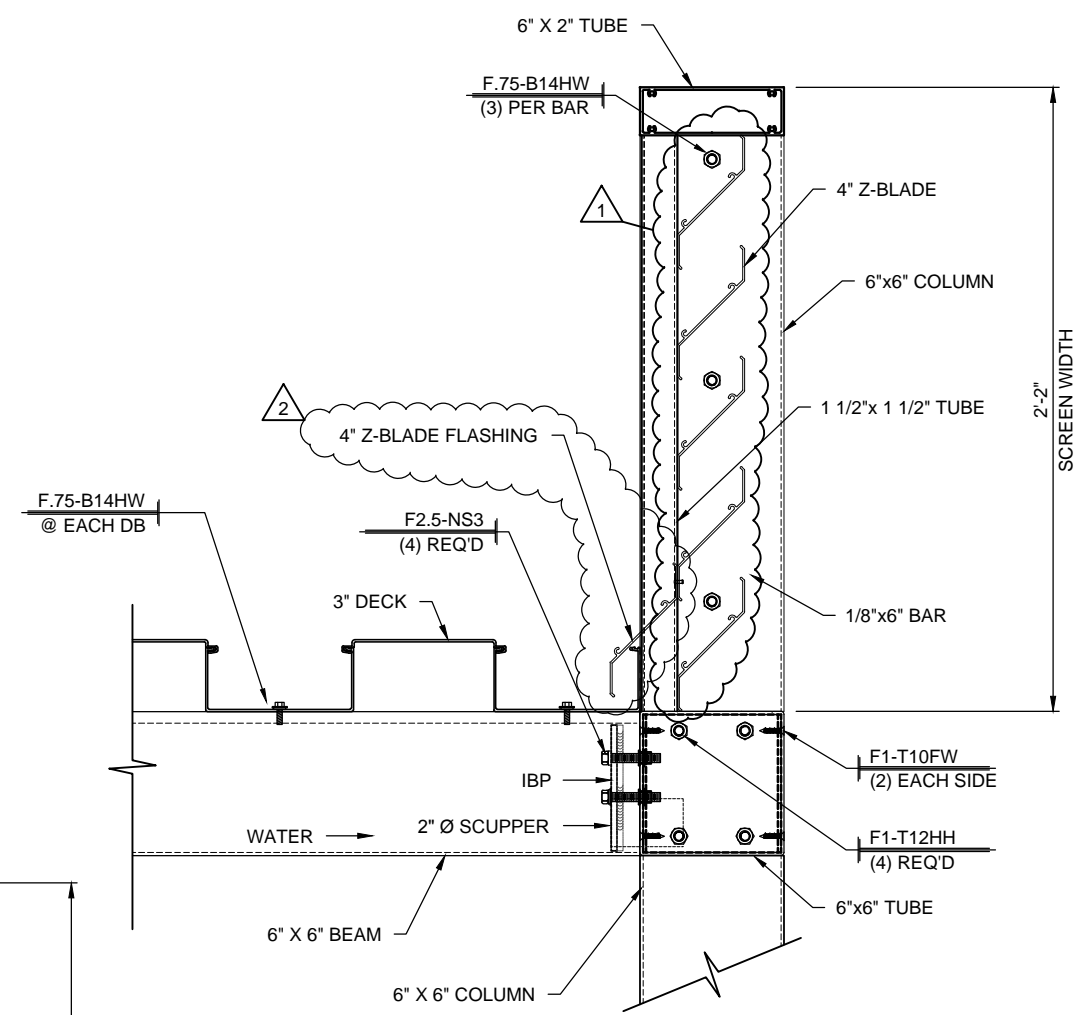
3 WALL CONNECTION DETAIL
4.15 SCALE: 1 1/2"=1'-0" CANOPY: G
REF.:

DWG. BY	RH
DATE	4/17/14
REV.	1
SUBJECT	2ND SUBMITTAL
DATE	7/2/14
REV.	2
SUBJECT	INITIAL F&F

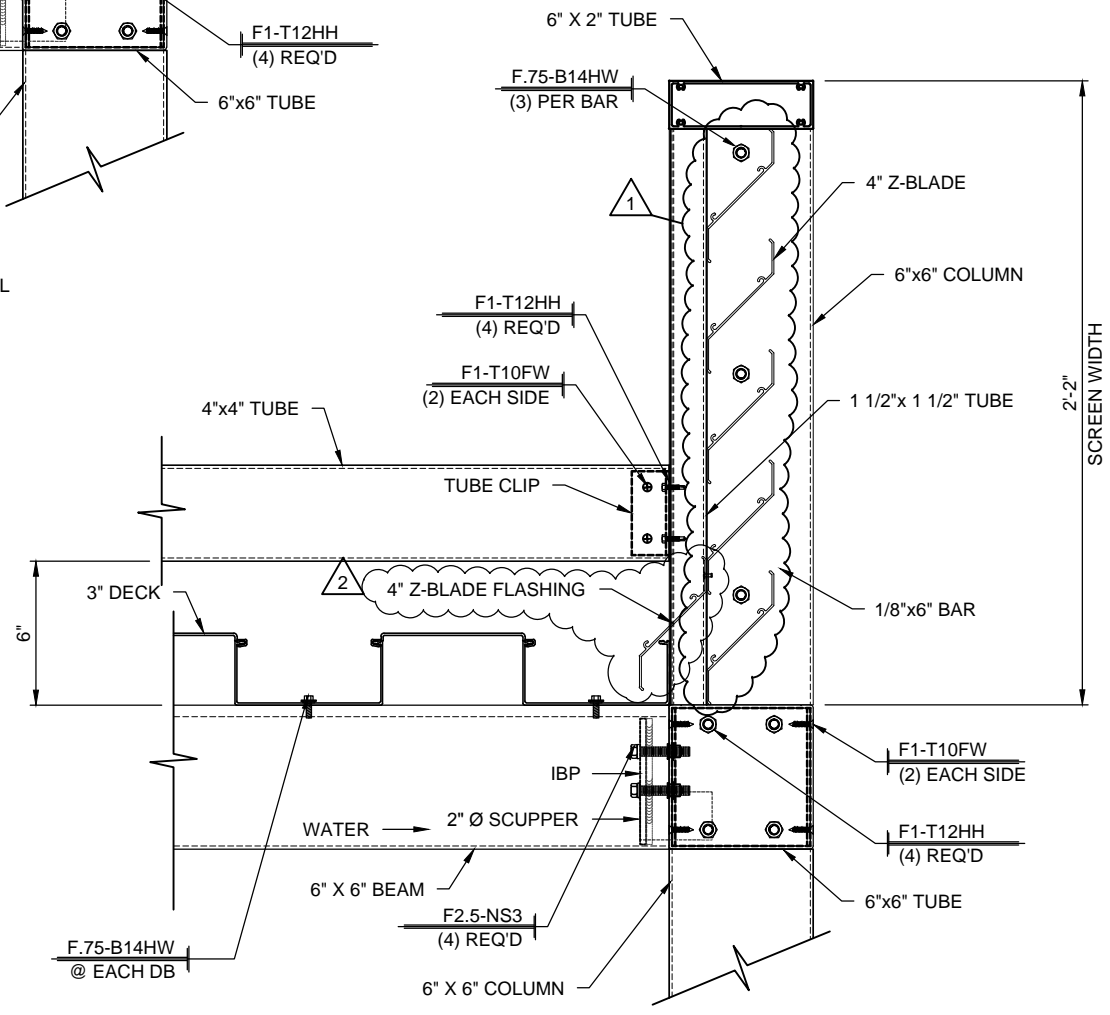
PROJECT:	ACADEMY OF OUR LADY NEW HIGH SCHOOL
CUSTOMER:	CITADEL BUILDERS, LLC
ARCHITECT:	BURGDahl & GRAVES, AIA
LOCATION:	MARRERO, LA
DATE:	7/26/13
DWN. BY:	RH
CHKD. BY:	RW
DRAWING NO.:	4.16
PPC JOB NO.:	5610



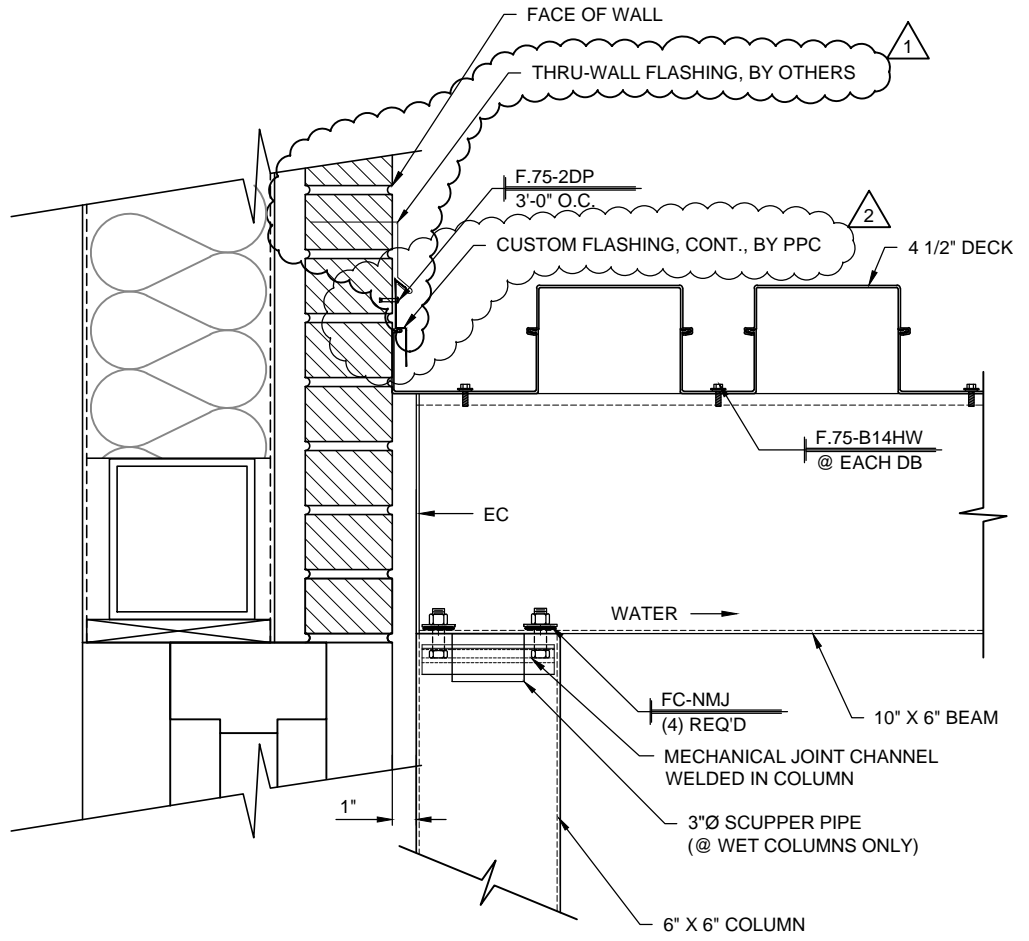
1
4.16 CANOPY END DETAIL
SCALE: 1 1/2"=1'-0" CANOPIES: H, J & L
REF.:



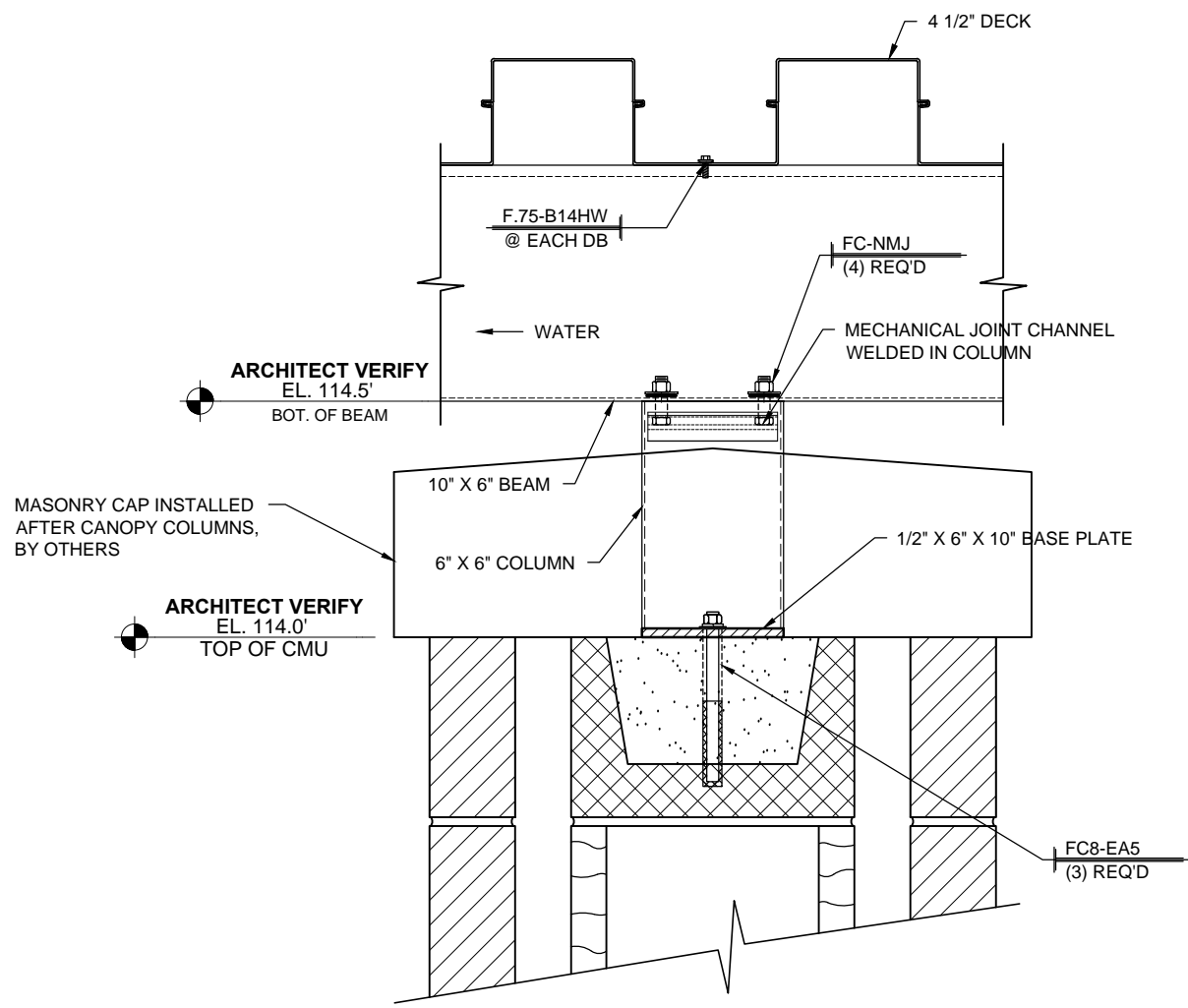
2
4.16 CANOPY END DETAIL
SCALE: 1 1/2"=1'-0" CANOPY: K
REF.:



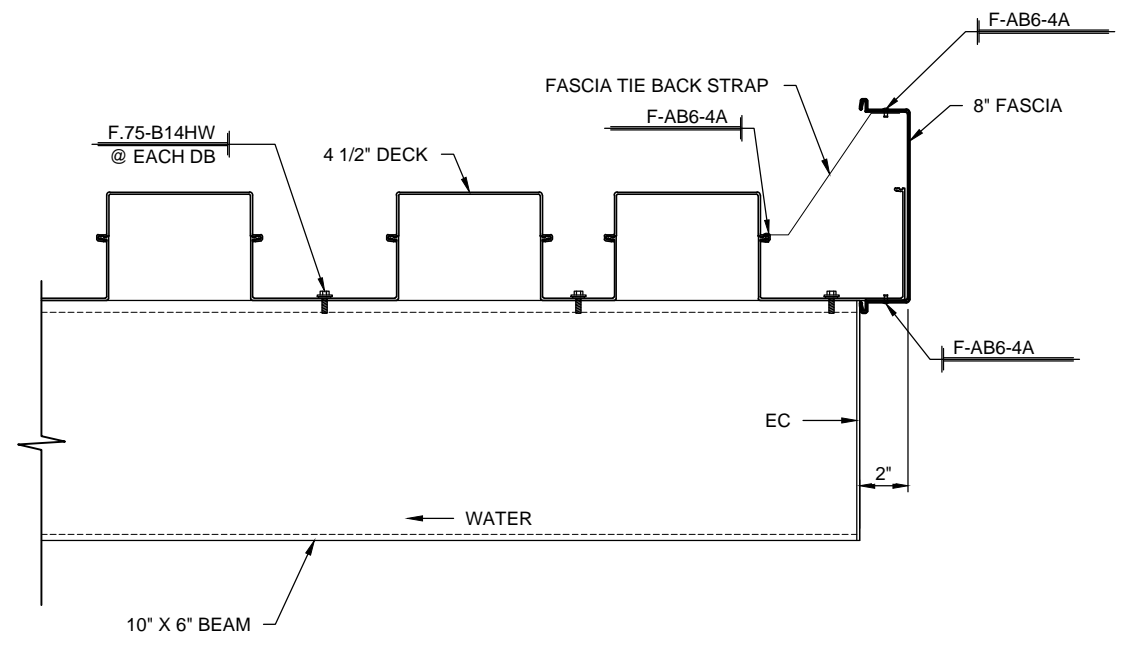
3
4.16 CANOPY END DETAIL
SCALE: 1 1/2"=1'-0" CANOPY: K
REF.:



1
4.17 **CANOPY WALL DETAIL**
SCALE: 1 1/2"=1'-0" CANOPY: M
REF.:



2
4.17 **CANOPY CONNECTION DETAIL**
SCALE: 1 1/2"=1'-0" CANOPY: M
REF.: 2/S305, 3/S305, 2/S309 & 3/S309

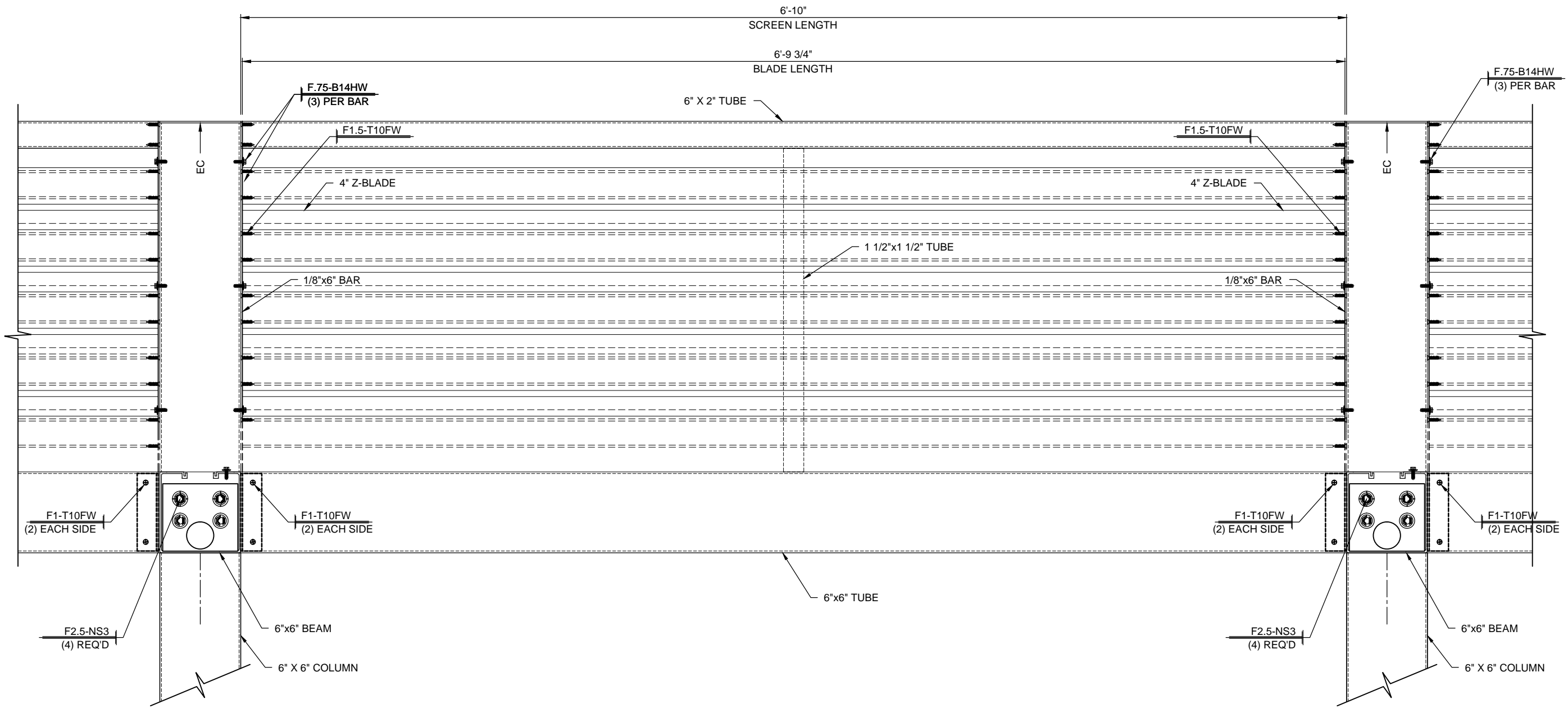


3
4.17 **CANOPY END DETAIL**
SCALE: 1 1/2"=1'-0" CANOPY: M
REF.:

DWG. BY	RH
DATE	4/17/14
REV.	1
SUBJECT	2ND SUBMITTAL
DATE	7/2/14
REV.	2
SUBJECT	INITIAL F & F

PROJECT: ACADEMY OF OUR LADY NEW HIGH SCHOOL
 CUSTOMER: CITADEL BUILDERS, LLC
 ARCHITECT: BURGDAHL & GRAVES, AIA
 LOCATION: MARRERO, LA

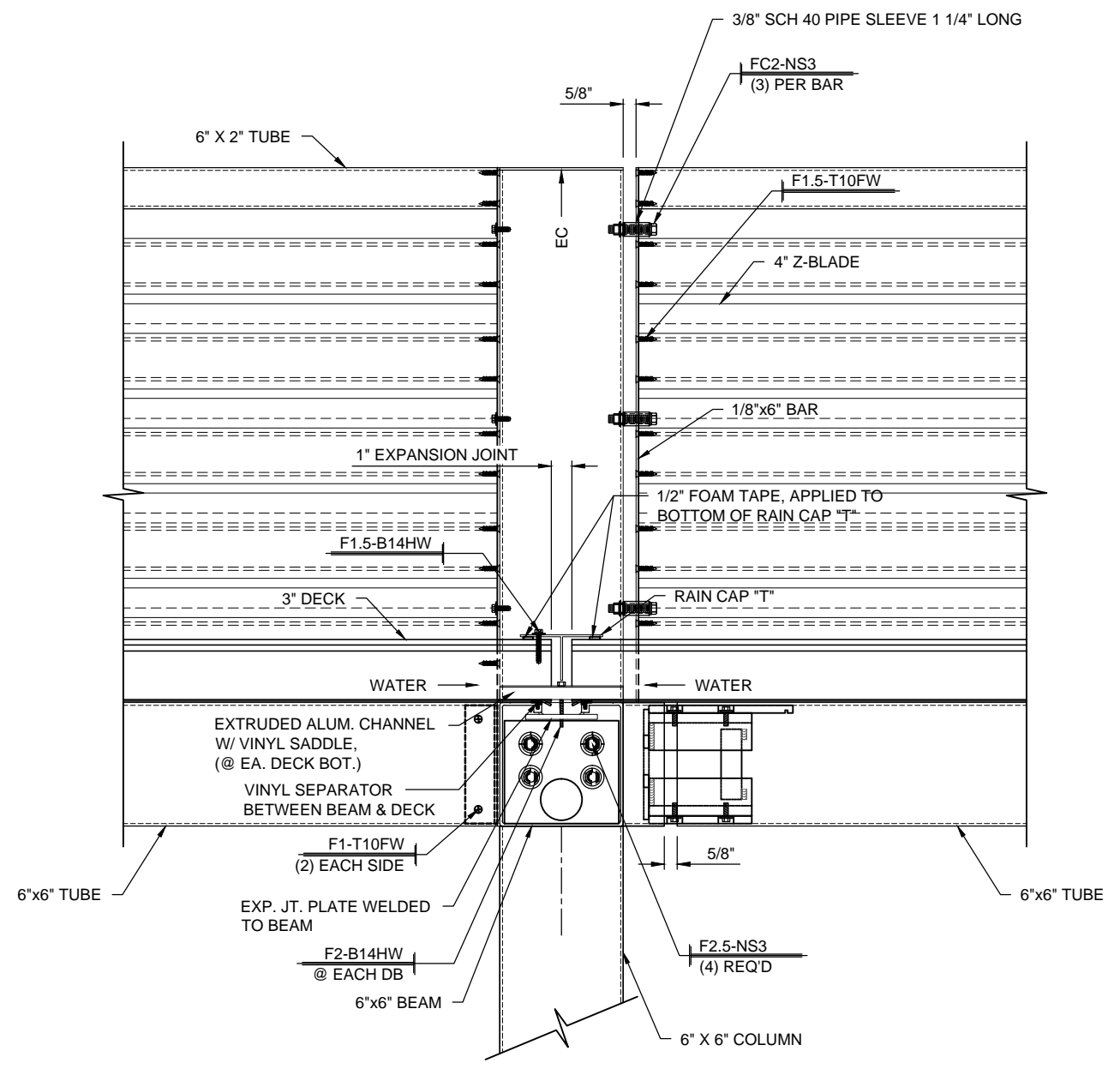
DATE:	7/26/13
DWN. BY:	RH
CHKD. BY:	RW
DRAWING NO.:	4.17
PPC JOB NO.:	5610



1 EQUIPMENT SCREEN DETAIL
4.18 SCALE: 1 1/2"=1'-0" CANOPIES: A, B, C, E, F, G, H, J, K & L
REF.:

DWG. BY	
SUBJECT	
DATE	
REV.	

PROJECT:	ACADEMY OF OUR LADY NEW HIGH SCHOOL
CUSTOMER:	CITADEL BUILDERS, LLC
ARCHITECT:	BURGDahl & GRAVES, AIA
LOCATION:	MARRERO, LA
DATE:	7/26/13
DWN. BY:	RH
CHKD. BY:	RW
DRAWING NO.:	4.18
PPC JOB NO.:	5610



1 EXP. JT. SECTION
4.19 SCALE: 1 1/2"=1'-0" CANOPIES: A, B, G & K
 REF.:

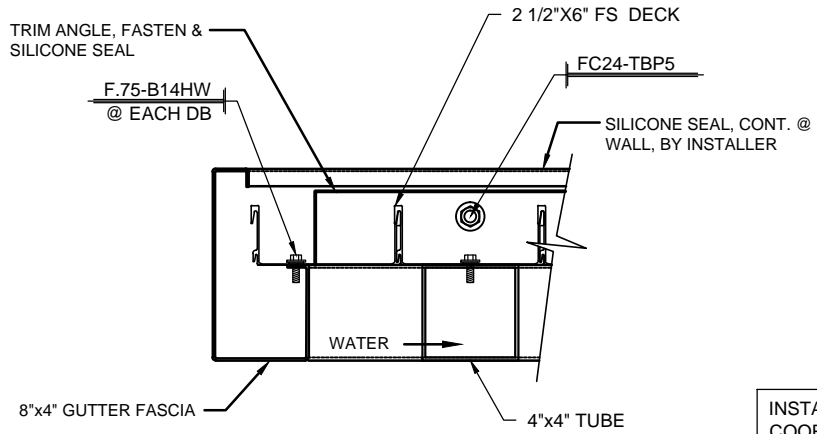
DWG. BY	SUBJECT	DATE	REV.

PROJECT:	ACADEMY OF OUR LADY NEW HIGH SCHOOL
CUSTOMER:	CITADEL BUILDERS, LLC
ARCHITECT:	BURGDahl & GRAVES, AIA
LOCATION:	MARRERO, LA

DATE:	7/26/13
DWN. BY:	RH
CHKD. BY:	RW
DRAWING NO.:	4.19
PPC JOB NO.:	5610

DWG. BY	RH
DATE	4/17/14
SUBJECT	2ND SUBMITTAL
REV.	1
REV.	2
DATE	7/2/14
SUBJECT	INITIAL F & F

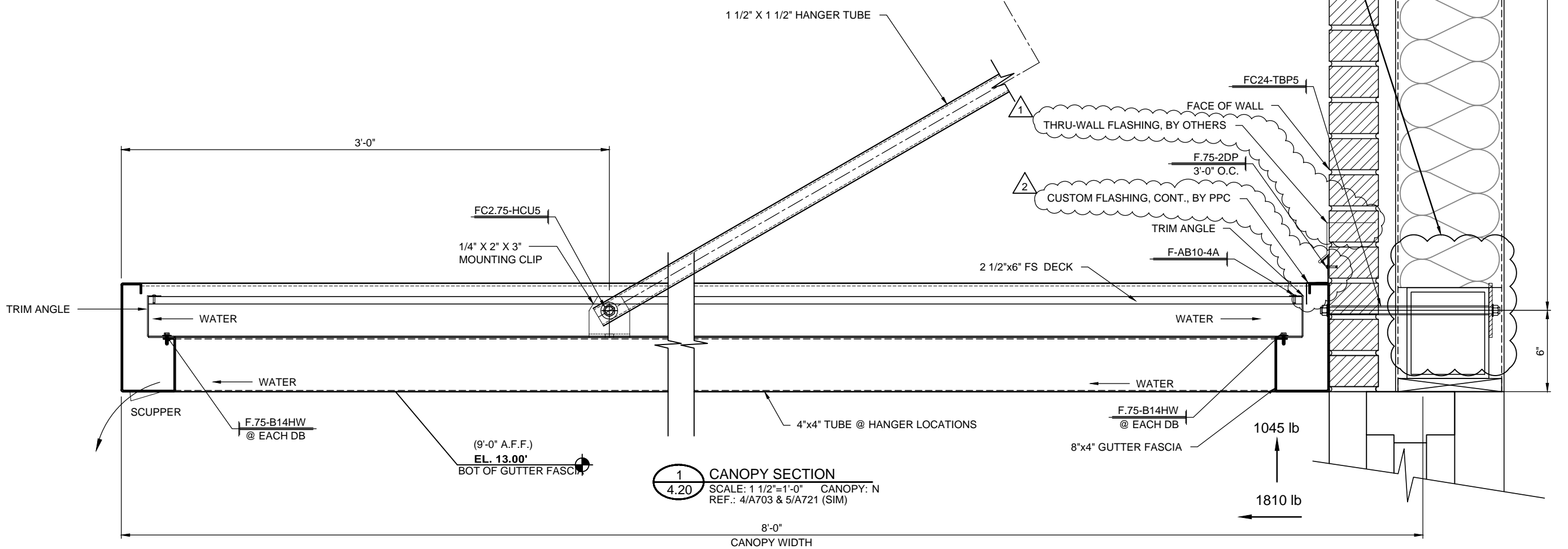
PROJECT:	ACADEMY OF OUR LADY NEW HIGH SCHOOL
CUSTOMER:	CITADEL BUILDERS, LLC
ARCHITECT:	BURGDahl & GRAVES, AIA
LOCATION:	MARRERO, LA
DATE:	7/26/13
DWN. BY:	RH
CHKD. BY:	RW
DRAWING NO.:	4.20
PPC JOB NO.:	5610



2 CANOPY SECTION
4.20 SCALE: 1 1/2"=1'-0" CANOPY: N
REF.:

INSTALLER NOTE:
COORDINATE CANOPY LOCATION
AND INSTALLATION WITH OWNER.

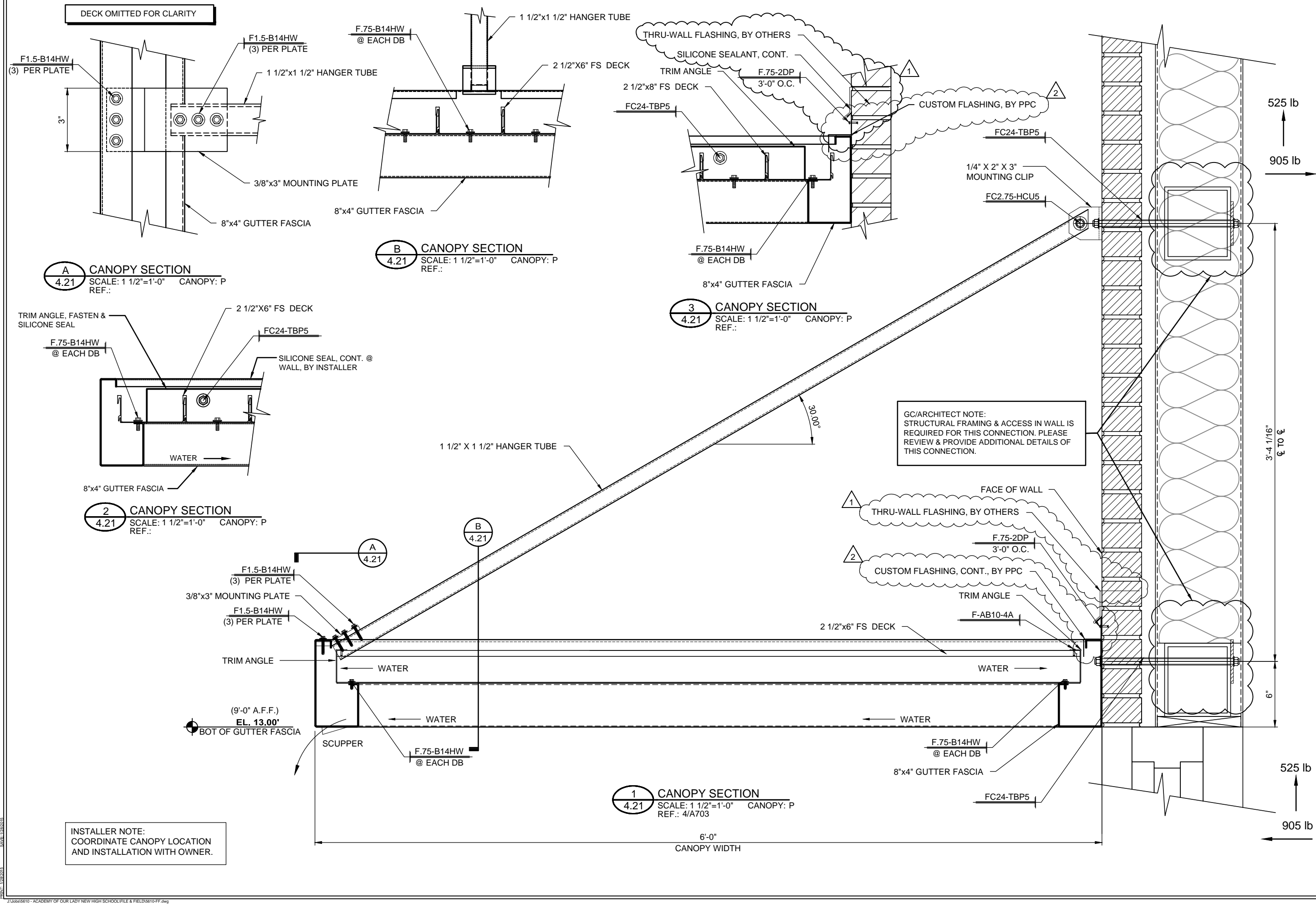
GC/ARCHITECT NOTE:
STRUCTURAL FRAMING & ACCESS IN WALL IS
REQUIRED FOR THIS CONNECTION. PLEASE
REVIEW & PROVIDE ADDITIONAL DETAILS OF
THIS CONNECTION.



1 CANOPY SECTION
4.20 SCALE: 1 1/2"=1'-0" CANOPY: N
REF.: 4/A703 & 5/A721 (SIM)

DWG. BY	RH
DATE	4/17/14
REV.	1
SUBJECT	2ND SUBMITTAL
INITIAL F & F	
DATE	7/2/14
REV.	2

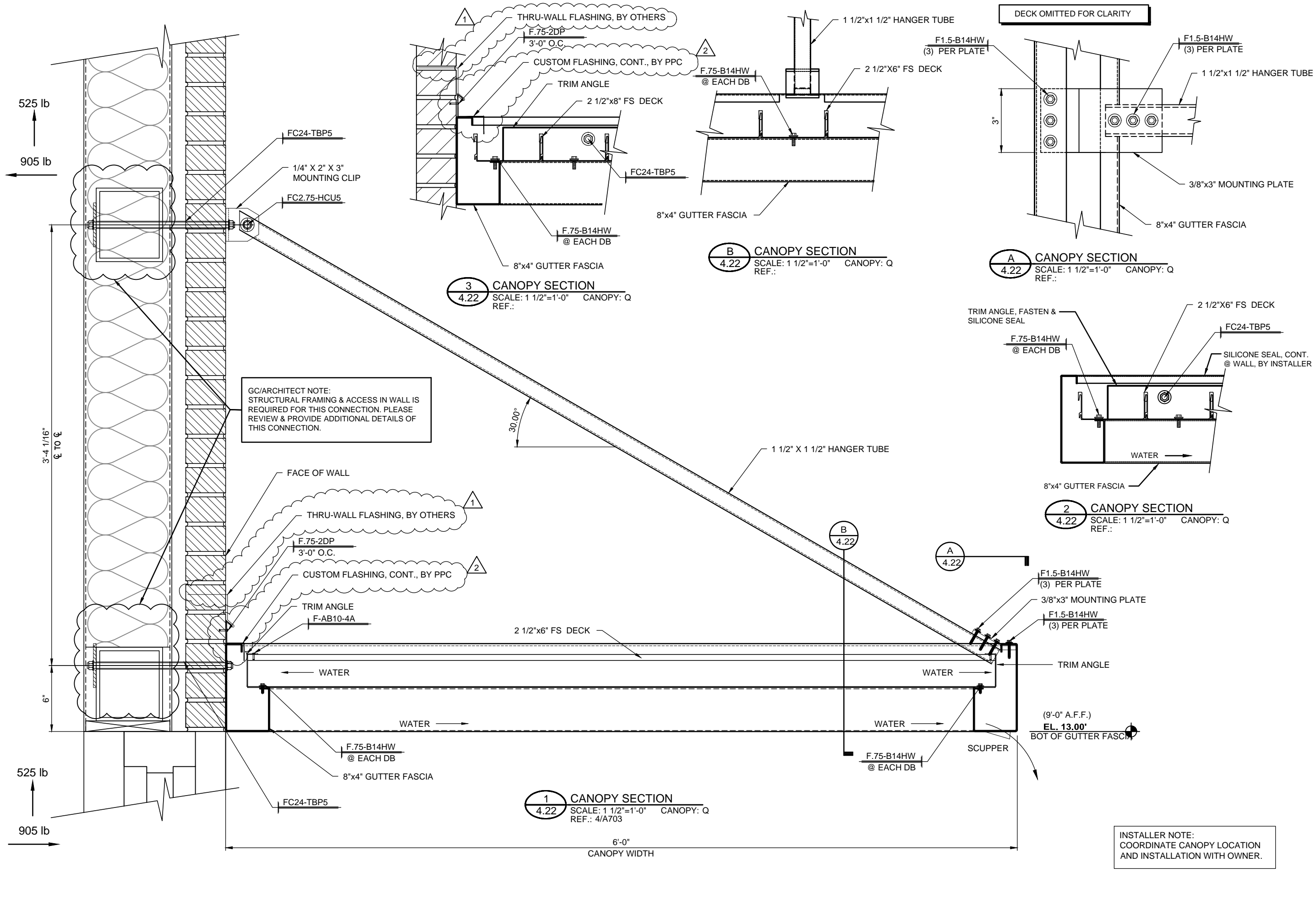
PROJECT:	ACADEMY OF OUR LADY NEW HIGH SCHOOL
CUSTOMER:	CITADEL BUILDERS, LLC
ARCHITECT:	BURGDahl & GRAVES, AIA
LOCATION:	MARRERO, LA
DATE:	7/26/13
DWN. BY:	RH
CHKD. BY:	RW
DRAWING NO.:	4.21
PPC JOB NO.:	5610



GC/ARCHITECT NOTE:
STRUCTURAL FRAMING & ACCESS IN WALL IS
REQUIRED FOR THIS CONNECTION. PLEASE
REVIEW & PROVIDE ADDITIONAL DETAILS OF
THIS CONNECTION.

INSTALLER NOTE:
COORDINATE CANOPY LOCATION
AND INSTALLATION WITH OWNER.

SCALE: 1/2"=1'-0"



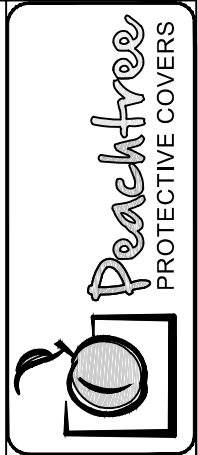
3 CANOPY SECTION
4.22 SCALE: 1 1/2"=1'-0" CANOPY: Q
REF.:

B CANOPY SECTION
4.22 SCALE: 1 1/2"=1'-0" CANOPY: Q
REF.:

A CANOPY SECTION
4.22 SCALE: 1 1/2"=1'-0" CANOPY: Q
REF.:

2 CANOPY SECTION
4.22 SCALE: 1 1/2"=1'-0" CANOPY: Q
REF.:

1 CANOPY SECTION
4.22 SCALE: 1 1/2"=1'-0" CANOPY: Q
REF.: 4/A703

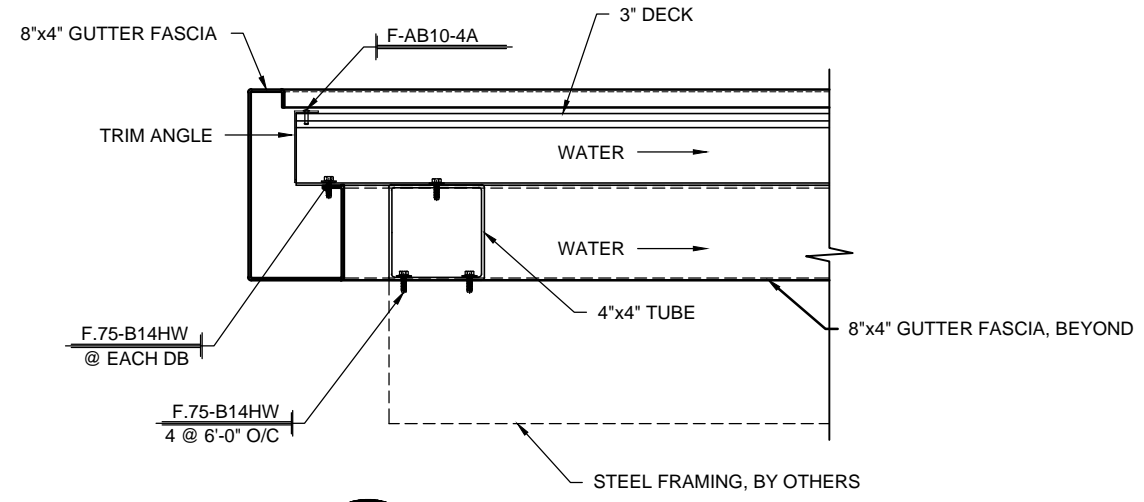


DWG. BY	RH
DATE	4/17/14
REV.	1
DATE	7/2/14
REV.	2
SUBJECT	2ND SUBMITTAL
INITIAL F & F	

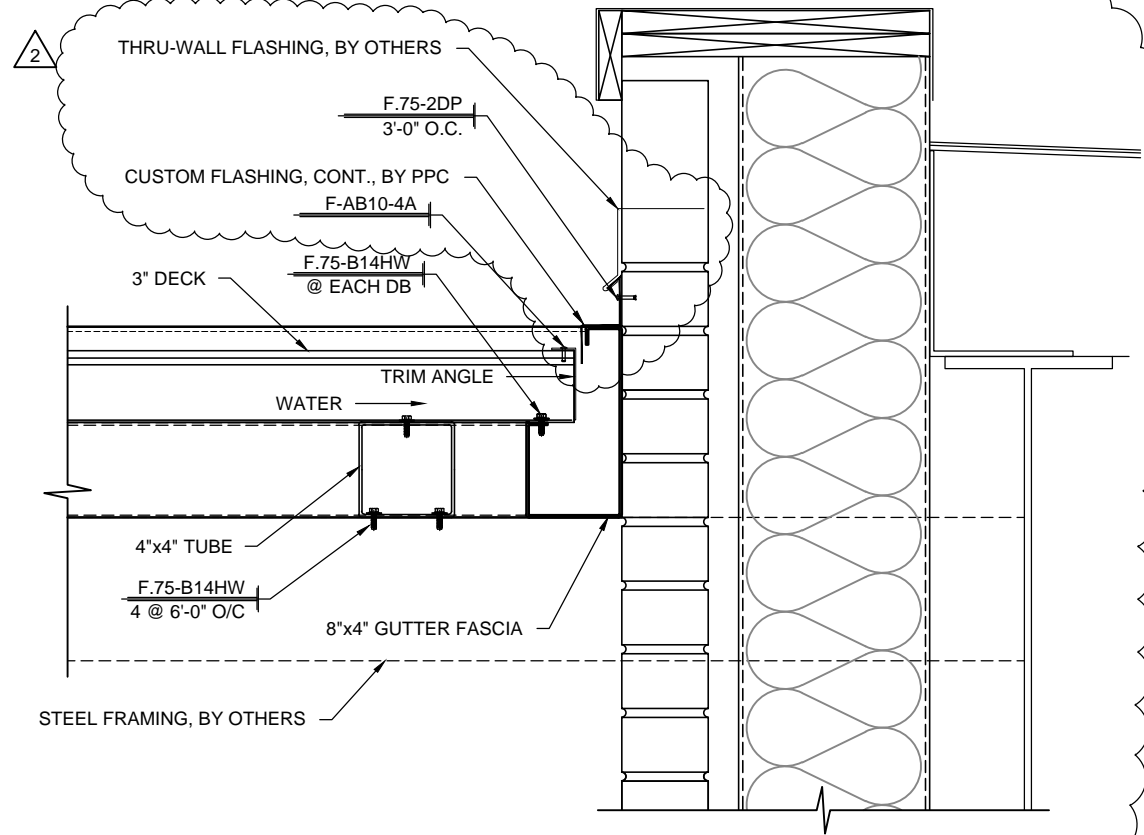
PROJECT: ACADEMY OF OUR LADY NEW HIGH SCHOOL
 CUSTOMER: CITADEL BUILDERS, LLC
 ARCHITECT: BURGDahl & GRAVES, AIA
 LOCATION: MARRERO, LA

DATE:	7/26/13
DWN. BY:	RH
CHKD. BY:	RW
DRAWING NO.:	4.22
PPC JOB NO.:	5610

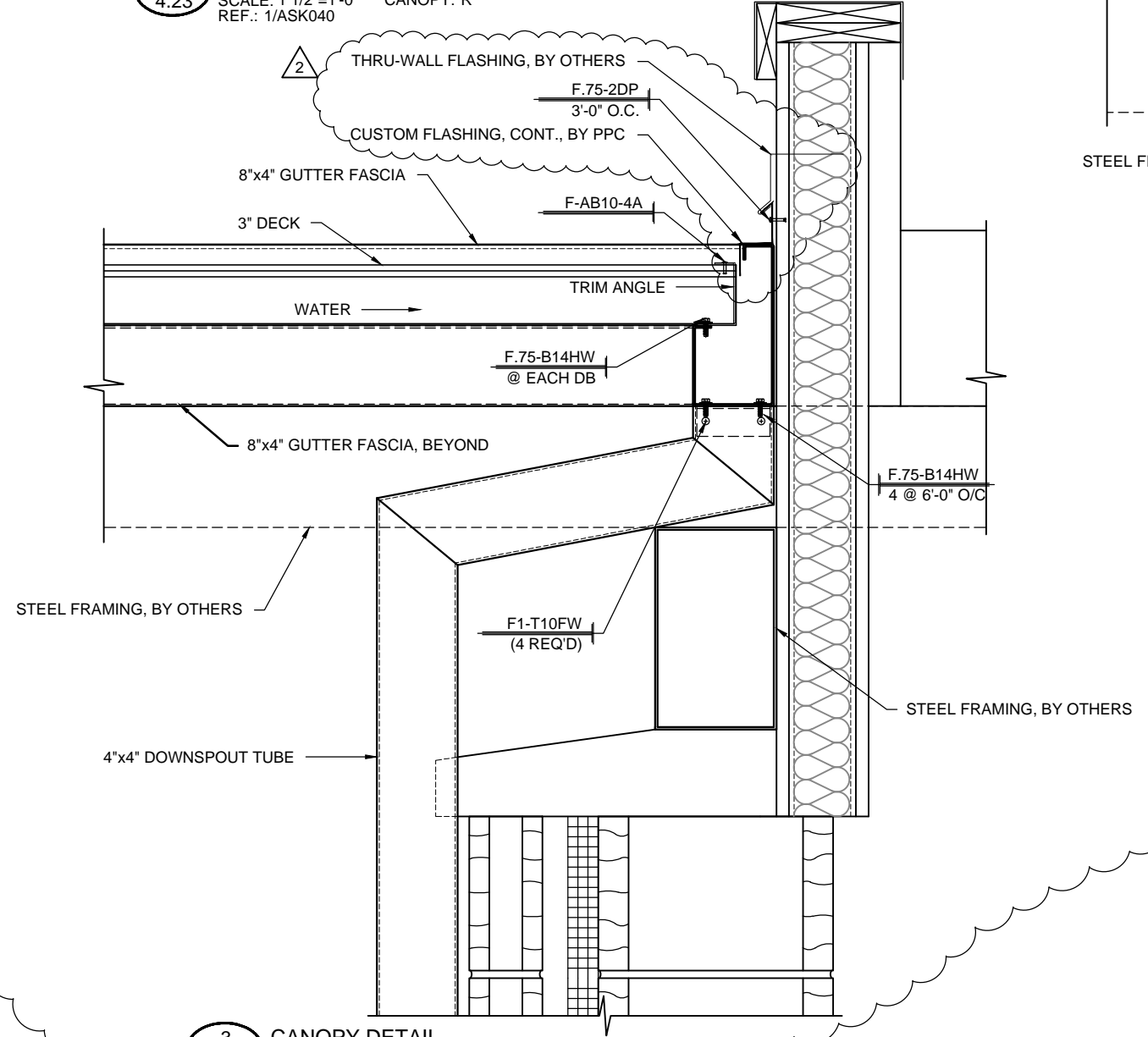
SCALE: 1/2"=1'-0"



1 CANOPY DETAIL
4.23 SCALE: 1 1/2"=1'-0" CANOPY: R
REF.: 1/ASK040



2 CANOPY DETAIL
4.23 SCALE: 1 1/2"=1'-0" CANOPY: R
REF.: 1ASK034



3 CANOPY DETAIL
4.23 SCALE: 1 1/2"=1'-0" CANOPY: R
REF.: 1/ASK036

INSTALLER NOTE:
ISOLATION MATERIAL REQUIRED BETWEEN
STEEL & ALUMINUM MATERIALS. USE 4" GRACE
VYCOR PLUS ISOLATION TAPE

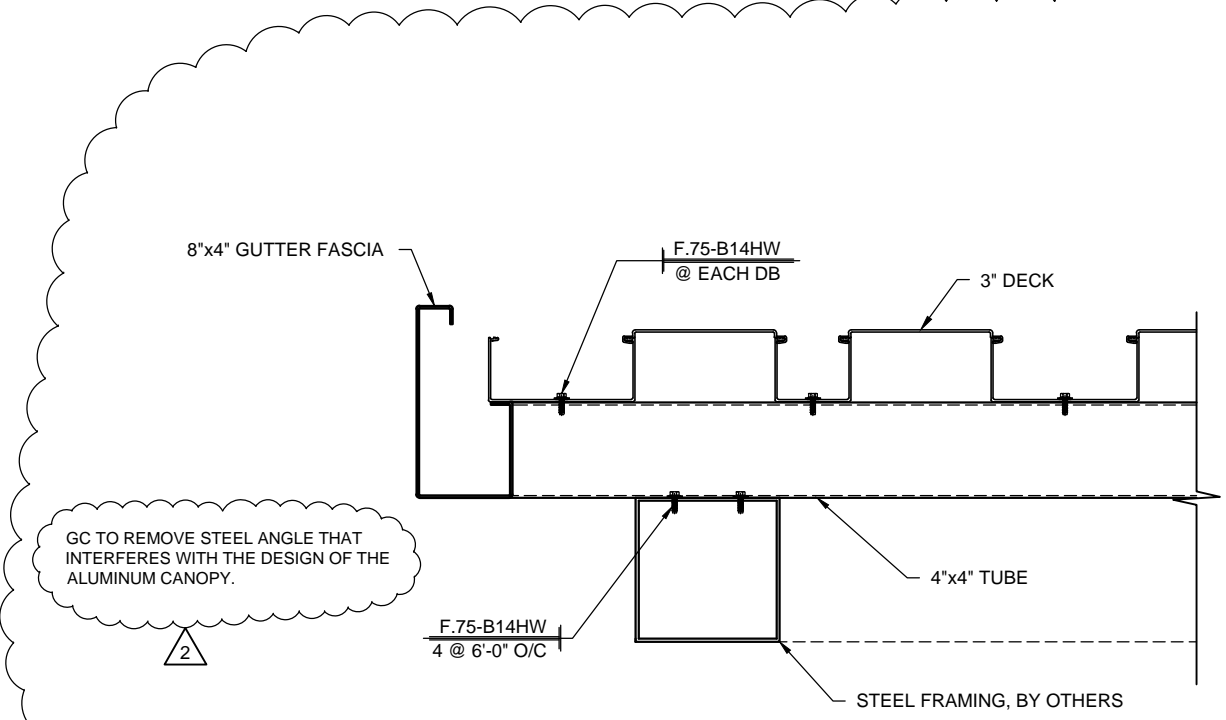
DWG. BY	RH
DATE	4/17/14
REV.	1
SUBJECT	2ND SUBMITTAL
DATE	7/2/14
REV.	2
SUBJECT	INITIAL F & F

PROJECT: ACADEMY OF OUR LADY NEW HIGH SCHOOL
 CUSTOMER: CITADEL BUILDERS, LLC
 ARCHITECT: BURGDAHL & GRAVES, AIA
 LOCATION: MARRERO, LA

DATE:	7/26/13
DWN. BY:	RH
CHKD. BY:	RW
DRAWING NO.:	4.23
PPC JOB NO.:	5610

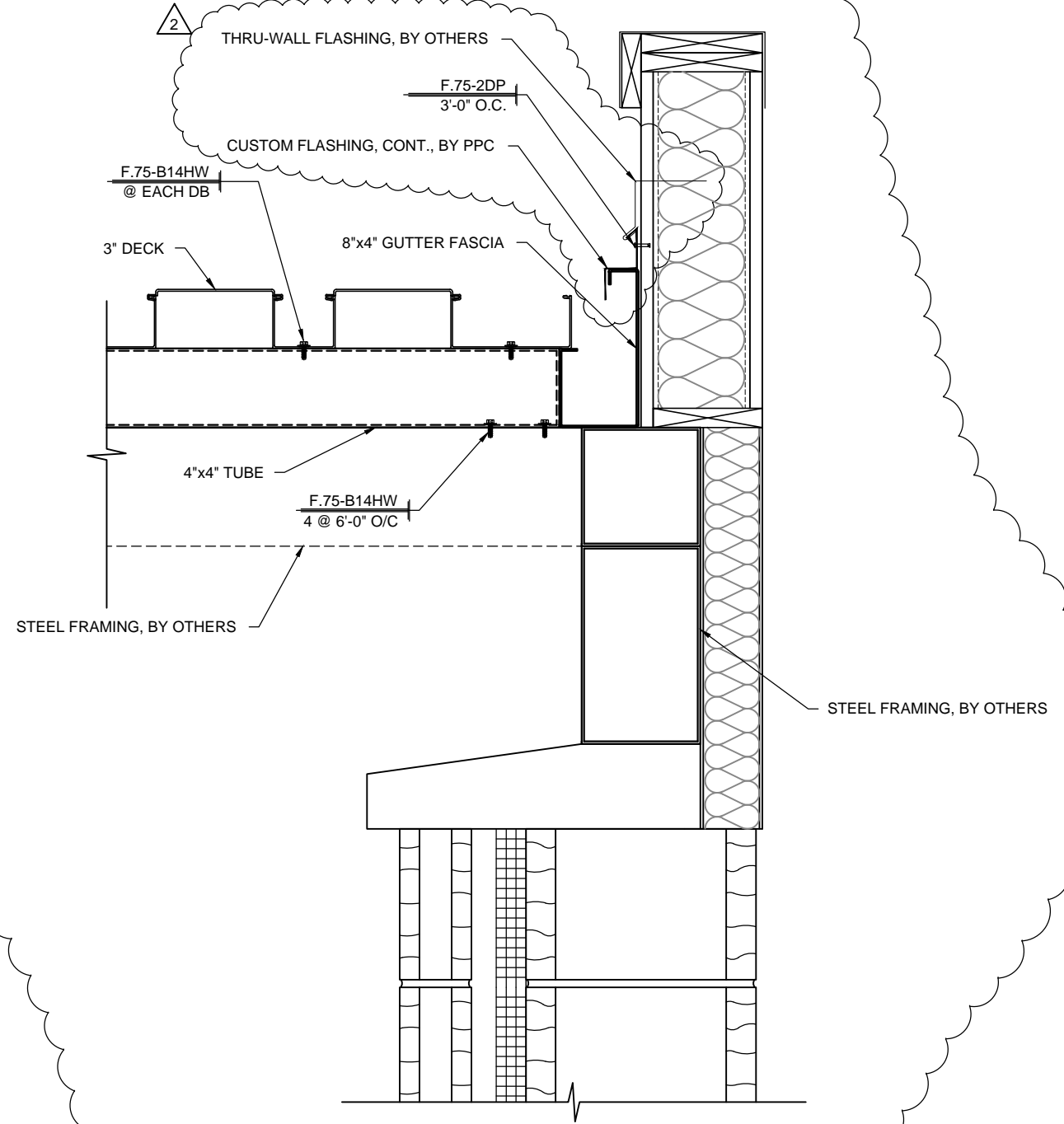
DWG. BY	RH
DATE	4/17/14
REV.	1
DATE	7/2/14
REV.	2
SUBJECT	2ND SUBMITTAL
INITIAL F & F	

PROJECT:	ACADEMY OF OUR LADY NEW HIGH SCHOOL
CUSTOMER:	CITADEL BUILDERS, LLC
ARCHITECT:	BURGDahl & GRAVES, AIA
LOCATION:	MARRERO, LA
DATE:	7/26/13
DWN. BY:	RH
CHKD. BY:	RW
DRAWING NO.:	4.24
PPC JOB NO.:	5610

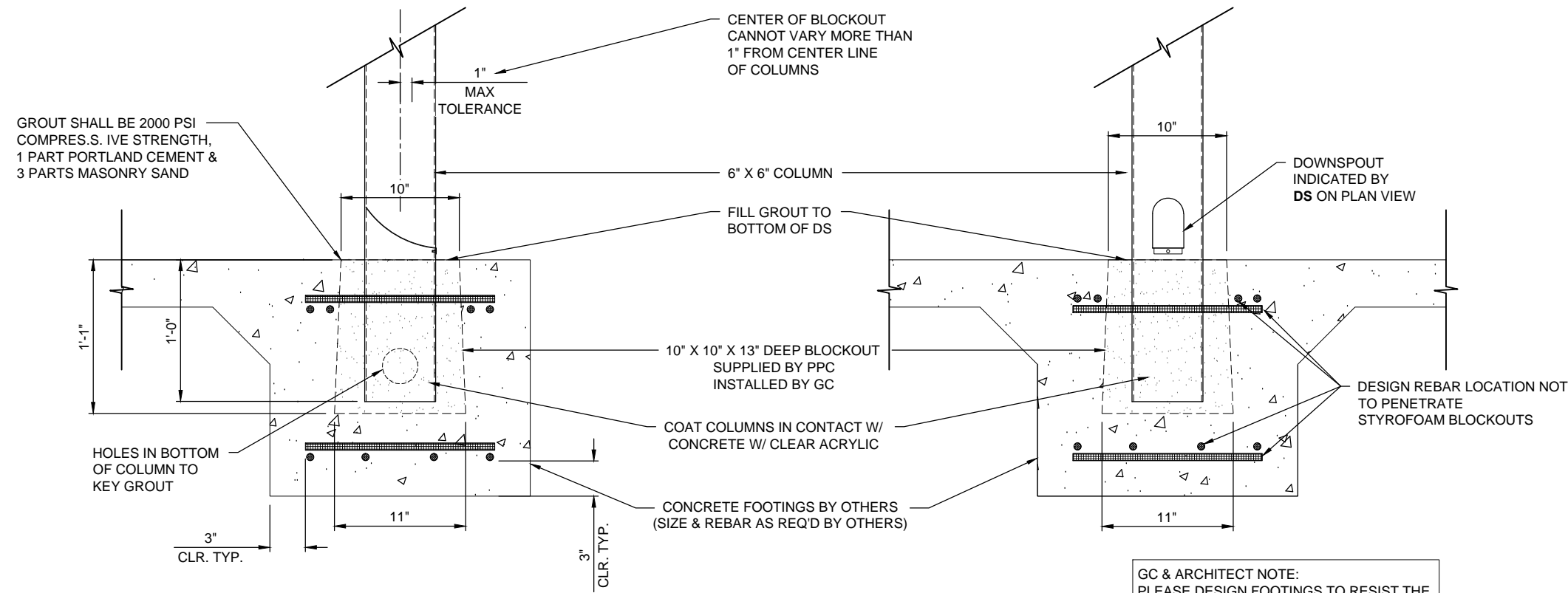


1
4.24 CANOPY DETAIL
SCALE: 1 1/2"=1'-0" CANOPY: R
REF.: 1/ASK040

INSTALLER NOTE:
ISOLATION MATERIAL REQUIRED BETWEEN
STEEL & ALUMINUM MATERIALS, USE 4" GRACE
VYCOR PLUS ISOLATION TAPE



2
4.24 CANOPY DETAIL
SCALE: 1 1/2"=1'-0" CANOPY: R
REF.: 1/ASK035



1
5.00 **BLOCKOUT DETAIL**
SCALE: 1"=1'-0" CANOPIES: A, B, C, E, F, G, H, J, K & L
REF.:

GC & ARCHITECT NOTE:
PLEASE DESIGN FOOTINGS TO RESIST THE REACTION LOADS INDICATED ON SECTION 1/3.00, 2/3.00, 3/3.00, 4/3.00, 1/3.01, 2, 3.01, 4/3.01, 2/3.02, 3/3.02, 4/3.02, 1, 3.03, 2/3.03, 3/3.03 & 4/3.03

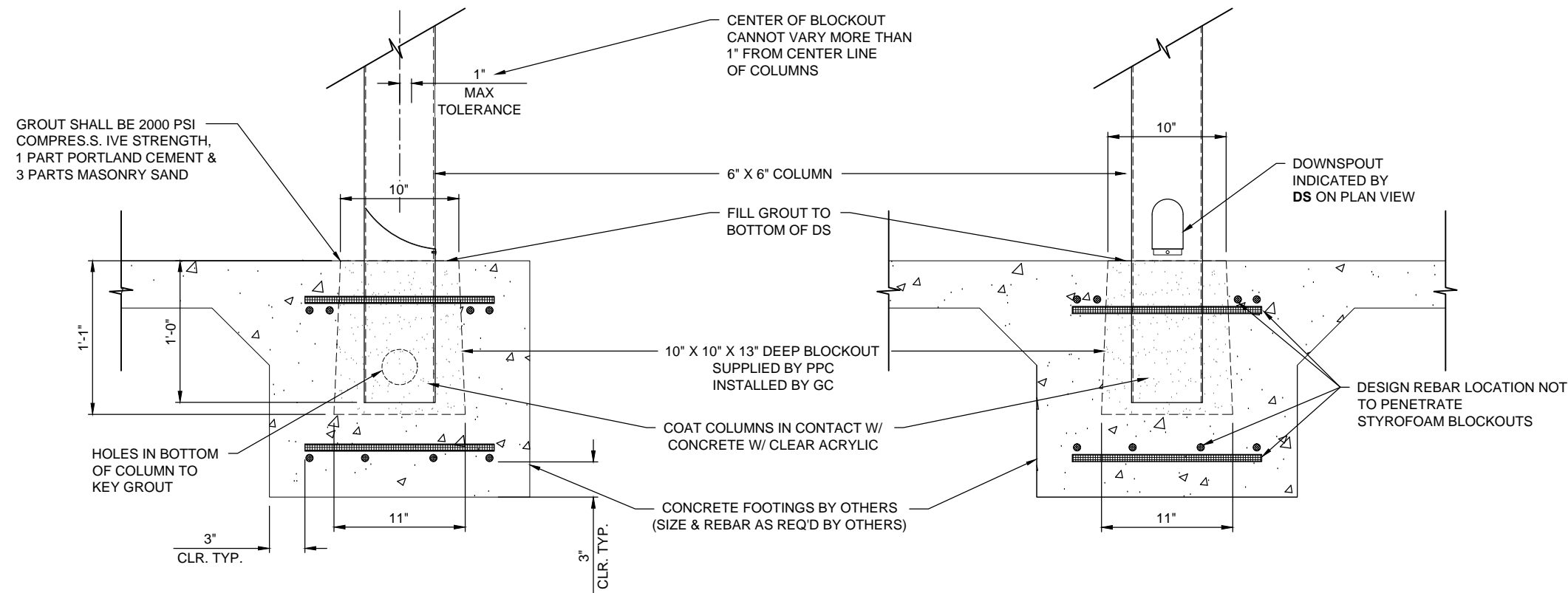
BLOCKOUT SCHEDULE

LABEL	DETAIL	BLOCKOUT	CANOPY
B1	1/5.00	10" X 10" X 13"	CANOPIES A THRU L
B2	1/5.01	10" X 20" X 13"	CANOPIES D & M

DWG. BY	SUBJECT
DATE	REV.

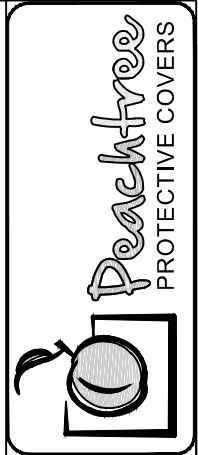
PROJECT: ACADEMY OF OUR LADY NEW HIGH SCHOOL
 CUSTOMER: CITADEL BUILDERS, LLC
 ARCHITECT: BURGDAHL & GRAVES, AIA
 LOCATION: MARRERO, LA

DATE: 7/26/13
 DWN. BY: RH
 CHKD. BY: RW
 DRAWING NO.: 5.00
 PPC JOB NO.: 5610



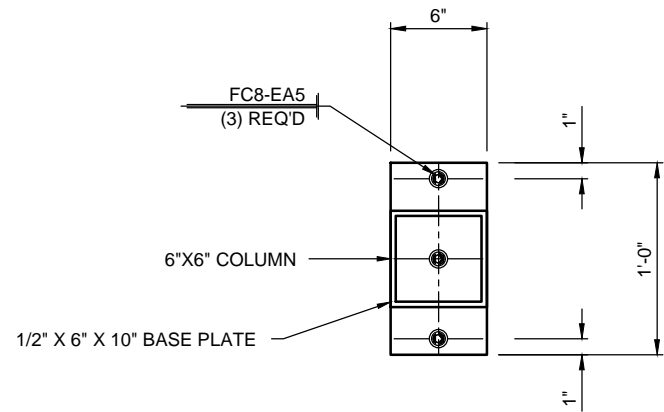
1 FOOTING DETAIL
 5.01 SCALE: 1"=1'-0" CANOPIES: D & M
 REF.:

GC & ARCHITECT NOTE:
 PLEASE DESIGN FOOTINGS TO RESIST
 THE REACTION LOADS INDICATED ON
 SECTION 3/3.01, 1/3.02 & 5/3.03

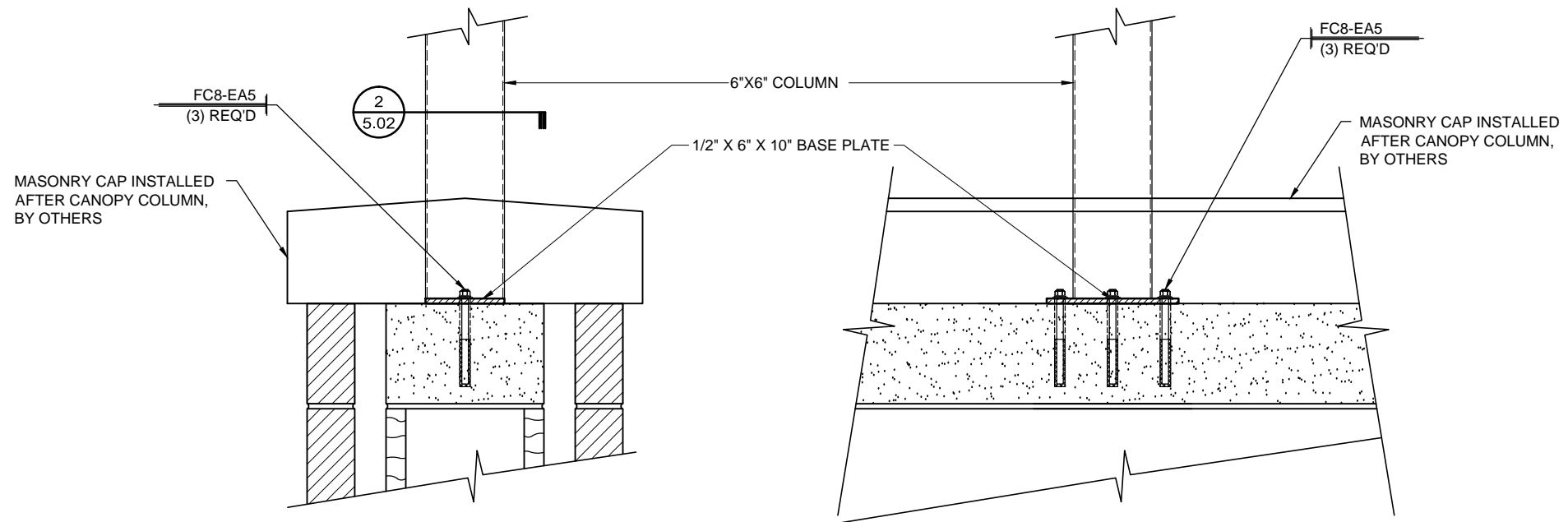


DWG. BY	
SUBJECT	
DATE	
REV.	

PROJECT:	ACADEMY OF OUR LADY NEW HIGH SCHOOL
CUSTOMER:	CITADEL BUILDERS, LLC
ARCHITECT:	BURGDahl & GRAVES, AIA
LOCATION:	MARRERO, LA
DATE:	7/26/13
DWN. BY:	RH
CHKD. BY:	RW
DRAWING NO.:	5.01
PPC JOB NO.:	5610



2 BASE PLATE SECTION
5.02 SCALE: 1"=1'-0" CANOPIES: D & M
REF.:



1 BASE PLATE DETAIL
5.02 SCALE: 1"=1'-0" CANOPIES: D & M
REF.:

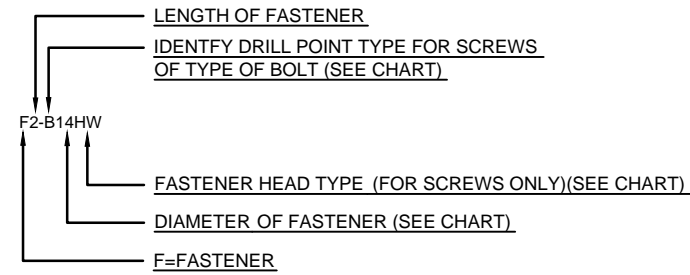
DWG. BY	RH
SUBJECT	F&F
DATE	7/3/14
REV.	2

PROJECT: ACADEMY OF OUR LADY NEW HIGH SCHOOL
 CUSTOMER: CITADEL BUILDERS, LLC
 ARCHITECT: BURGDAHL & GRAVES, AIA
 LOCATION: MARRERO, LA

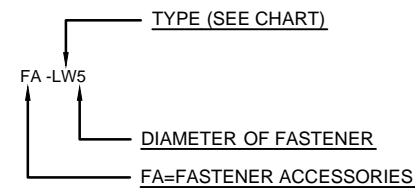
DATE:	7/26/13
DWN. BY:	RH
CHKD. BY:	RW
DRAWING NO.:	5.02
PPC JOB NO.:	5610

FASTENER SCHEDULE

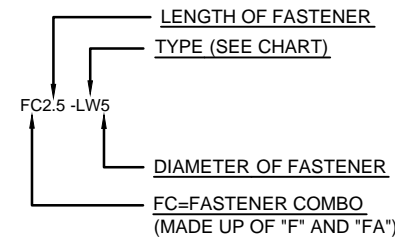
FASTENER IDENTIFICATION



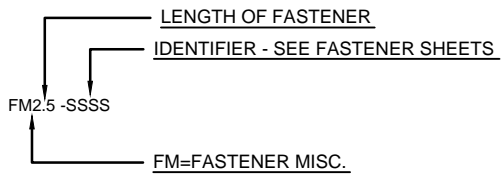
FASTENER ACCESORIES IDENTIFICATION



FASTENER COMBO IDENTIFICATION



FASTENER MISC. IDENTIFICATION



FASTENER DIAMETER CHART

- 10 = #10
- 12 = #12
- 14 = #14
- 2 = .250" (1/4")
- 3 = .375" (3/8")
- 5 = .500" (1/2")
- 6 = .625" (5/8")
- 7 = .750" (3/4")

F=FASTENER

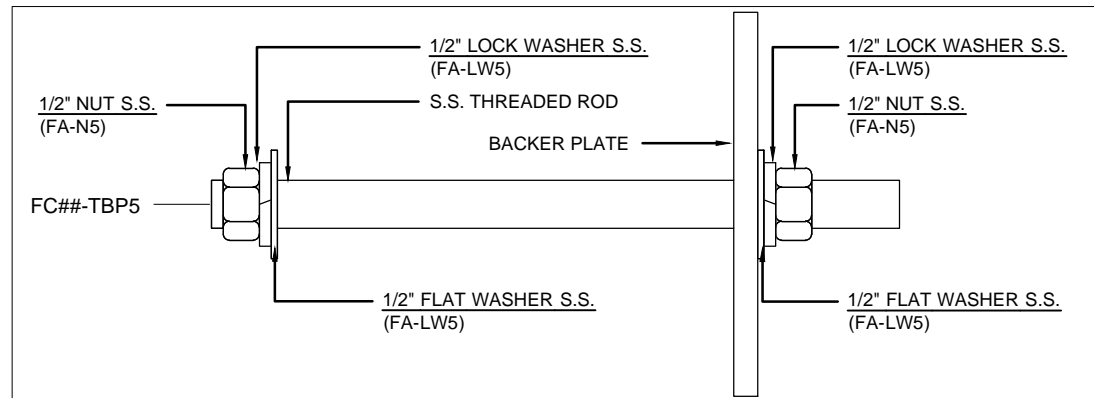
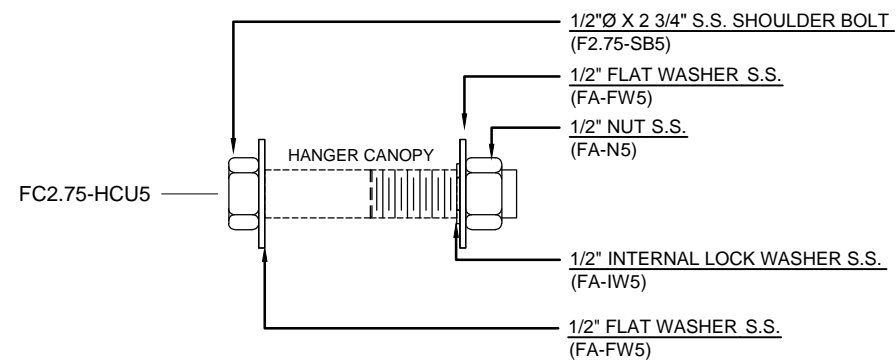
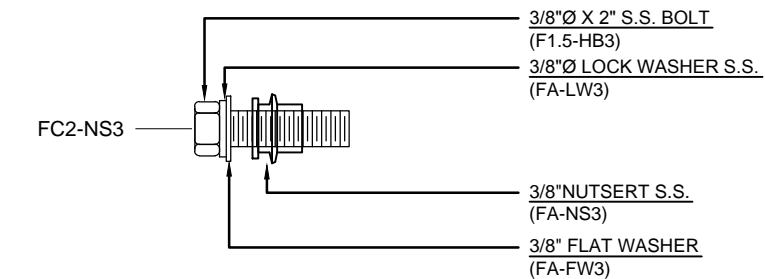
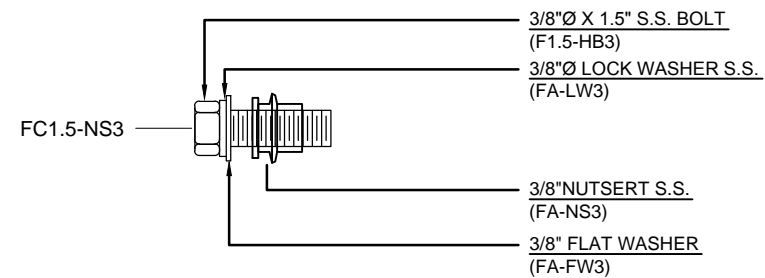
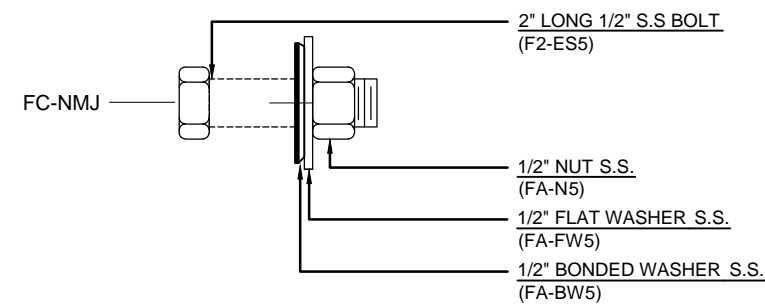
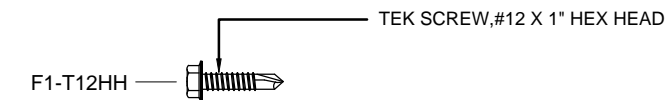
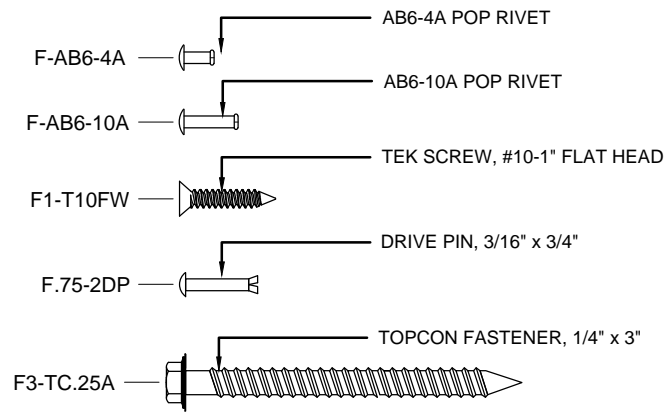
- B B POINT
- BB BUTTON HEAD BOLT
- CB COUNTER SUNK BOLT
- EBR EYE BOLT RIGHT HAND THREAD
- EBL LEFT HAND THREAD
- HB HEX HEAD BOLT
- LB LAG BOLT
- SB SHOULDER BOLT
- T TEK
- TC TAPCON
- TR THREADED ROD
- W WOOD SCREW

FA=FASTENER ACCESSORIES

- AN ACORN NUT
- BW BONDED WASHER
- FW FLAT WASHER
- JN JAM NUT
- IW INTERNAL WASHER
- LS LAG SHIELD
- LW LOCK WASHER
- N NUT
- NS NUTSERT

FC=FASTENER COMBO

- BBP BACK TO BACK IBP
- CHU CUSTOM HANGER CANOPY UPPER
- CHL CUSTOM HANGER CANOPY LOWER
- EAS EPOXY ANCHOR WITH SCREEN
- EABP EPOXY ANCHOR WITH STANDOFF BASEPLATE
- EASC EPOXY ANCHOR WITH SCREEN & COMP. SLEEVE
- HCU HANGER CANOPY UPPER BRACKET
- IBP INTERNAL BOLT PLATE
- NMJ NEW MECH JOINT
- NS NUTSERT
- OMB OLD MECH. JOINT W/ BUTTON HEAD
- OMC OLD MECH. JOINT W/ COUNTER SUNK
- TBP THRU BOLT WITH BACKER PLATE
- TBPC THRU BOLT WITH BACKER PLATE W/COMP. SLEEVE
- DT DRILL & TAP THREADED ROD
- DTC DRILL & TAP THREADED ROD W/COMP. SLEEVE

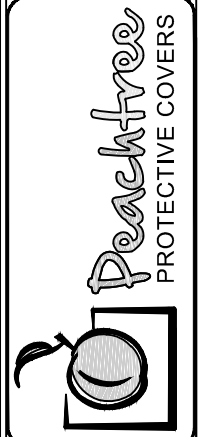
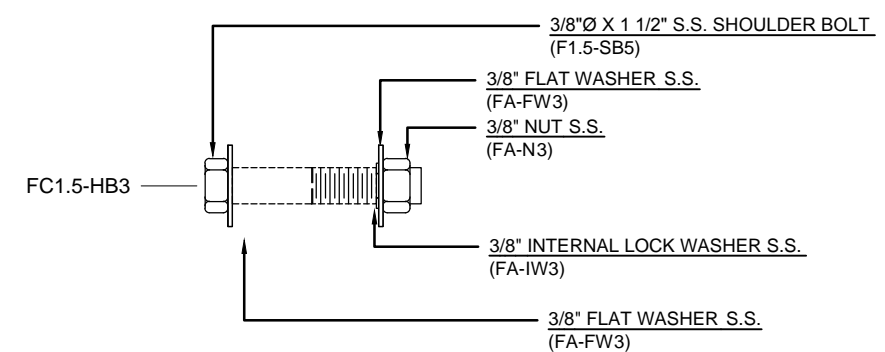
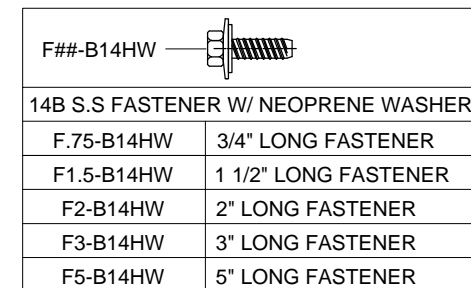
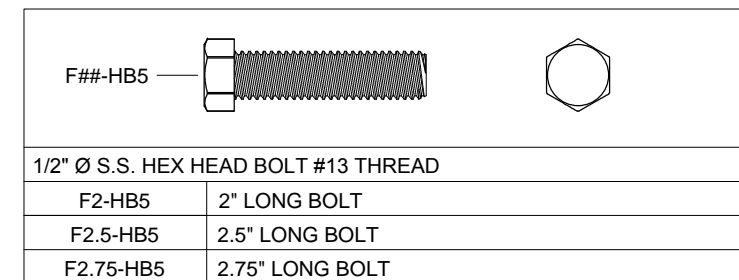


1/2" Ø S.S. THREADED ROD THRU BOLT / BACKER PLATE

FC12-TBP5	12" LONG THREADED ROD	1/4" X 4" X 4" BACKER PLATE
FC24-TBP5	24" LONG THREADED ROD	1/4" X 4" X 4" BACKER PLATE

FASTENER ACCESSORIES

FA-N#	FA-FW#	FA-LW#
S.S. NUT	S.S. FLAT WASHER	S.S. LOCK WASHER
FA-N3	3/8" NUT	FA-LW3
FA-N5	1/2" NUT	FA-LW5
FA-N6	5/8" NUT	FA-LW6



DWG. BY	
SUBJECT	
DATE	
REV.	

PROJECT: ACADEMY OF OUR LADY NEW HIGH SCHOOL
 CUSTOMER: CITADEL BUILDERS, LLC
 ARCHITECT: BURGDahl & GRAVES, AIA
 LOCATION: MARRERO, LA

DATE:	7/26/13
DWN. BY:	RH
CHKD. BY:	RW
DRAWING NO.:	6.00
PPC JOB NO.:	5610